

REVISONS			
NO	DATE	DESCRIPTION	APPROVED
A	7/1/81	PROD REL PER ECO 225	
B	7/19/81	PROD REL PER ECO 276	
A1	7/19/81	PROD REL PER ECO 381	
A3	7/19/81	ECO 0487	

SH 3, 12	MIBR	A 29	74LS04
SH 3	XORR	A 77	74LS00
SH 3	PNDR DIR	A 76	74LS32
SH 3, 9	XORR	A 79	74LS32
SH 12, 13	XORR	A 78	74LS32
SH 3, 9, 10, 12	XORR	A 76	74LS32
SH 3, 6, 7, 8, 9, 14	MIBR	A 58	74LS04
SH 3	MIBR		
SH 3, 4	RD BF		
SH 2, 10	RD BF		
SH 5, 6, 7, 8, 9, 14	RD BF		
SH 8, 10	RD BF		
SH 4, 6, 7, 8, 9, 14	RD BF		
SH 13	ABR0		
SH 13	ABR1		
SH 2, 9, 10, 13	ABR		
SH 2, 9, 10	AB1		
SH 9, 10	AB2		
SH 11	AB3		
SH 11	AB4		
SH 11	AB5		
SH 11	AB6		
SH 11	AB7		
SH 11	AB8		
SH 11	AB9		
SH 11	AB10		
SH 11	AB11		
SH 11	AB12		
SH 11	AB13		
SH 11	AB14		
SH 3	AB15		
SH 3	AB16		
SH 3	AB17		
SH 3	AB18		
SH 3	AB19		
SH 3	AB20		
SH 3	AB21		
SH 3, 12	BUS AK		
SH 3, 12	BUS AR		
SH 12	BUS RQ		
SH 3, 4, 12, 13	D0		
SH 3, 4, 12, 13	D1		
SH 3, 4, 12, 13	D2		
SH 3, 4, 12, 13	D3		
SH 3, 4, 12, 13	D4		
SH 3, 4, 12, 13	D5		
SH 3, 4, 12, 13	D6		
SH 3, 4, 12, 13	D7		
SH 11	DMA LEO		

860008-001

RadioVideo, Inc.

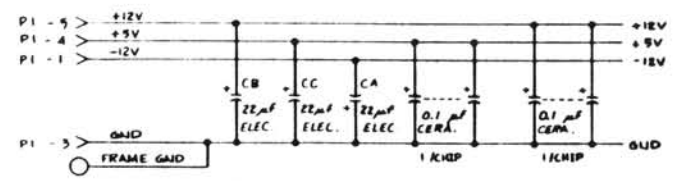
PCB SCHEMATIC

TS-B16

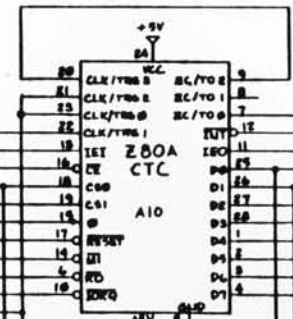
DATE	7/1/81	DESIGNER	
DRAWN		CHECKED	
APP'D		DATE	

REVISIONS			
REV	DATE	DESCRIPTION	APPROVED
A3		SEE SHT 1	

POWER CABLE



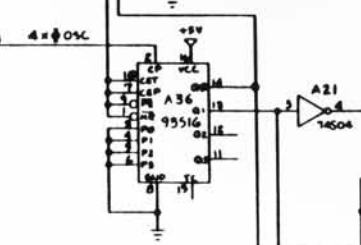
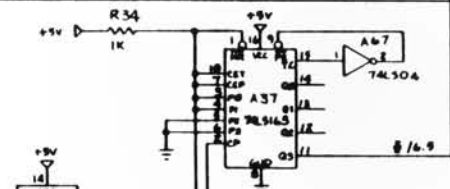
- SH12 WDC INT
- SH11 CTC IEI
- SH1 AD0
- SH1 AD1
- SH2 SYS CLK I
- SH10 RESET
- SH1 DT
- SH1 PD BP
- SH1 IORQ BP



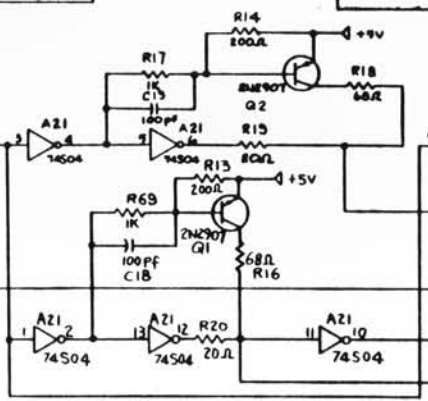
- BAUD RATE A SH 9
- TRG SH 11
- CTC IEI SH 11
- DBF 0 SH 11
- DBF 1 SH 11
- DBF 2 SH 11
- DBF 3 SH 11
- DBF 4 SH 11
- DBF 5 SH 11
- DBF 6 SH 11
- DBF 7 SH 11

- SH 11 BAUD CTC IEI
- SH 11 BAUD CTC CE

- BAUD RATE C SH 14
- BAUD RATE B SH 14
- TRG SH 11
- BAUD CTC IEI SH 11

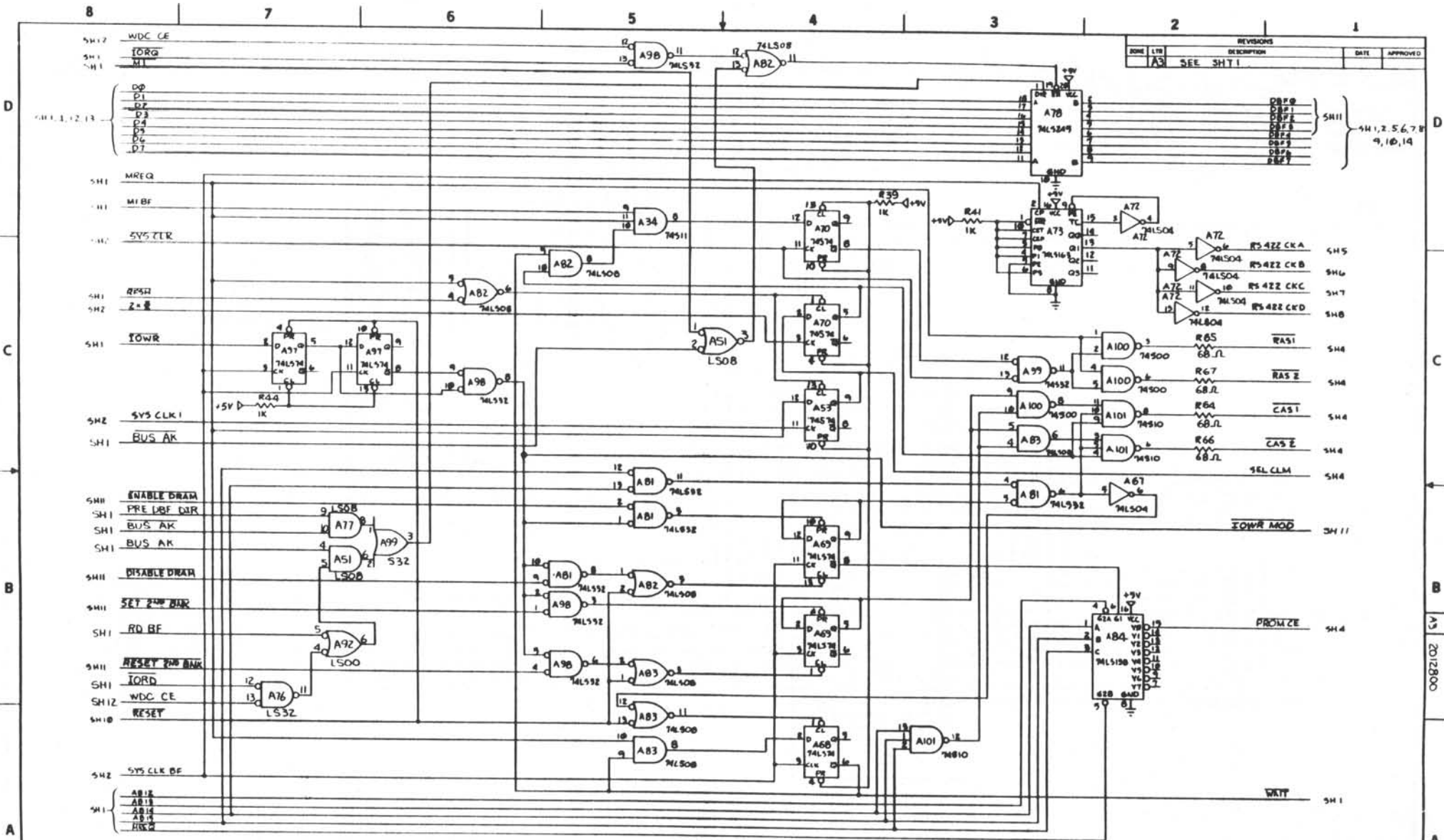


- 2x 0
- SYS CLK I SH 3
- SH 1,2,3

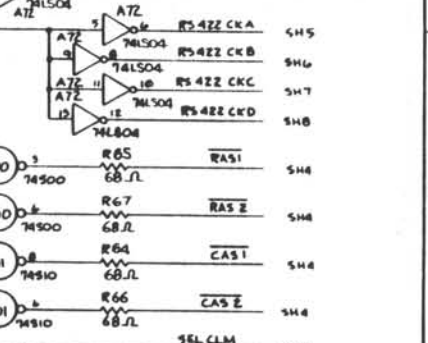
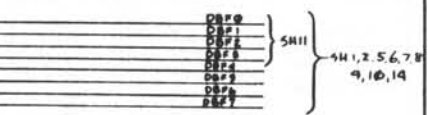


APPLICATION	DESIGNED BY	DATE	SCALE	REV

2012800  
 TS-B16  
 2012800



ZONE	LTN	DESCRIPTION	DATE	APPROVED
A3		SEE SHT 1		



APPLICATIONS		DESIGN ENGINEER'S OFFICE		DATE	REV. NO.
TEST ONLY	PROD. BR.	NAME	DATE	REV. NO.	TRICE
		CHK'D BY	DATE		
		APP'D BY	DATE		
		DESIGN			
		DATE			
PCB SCHEMATIC TS-816			REV. 3 2012800		

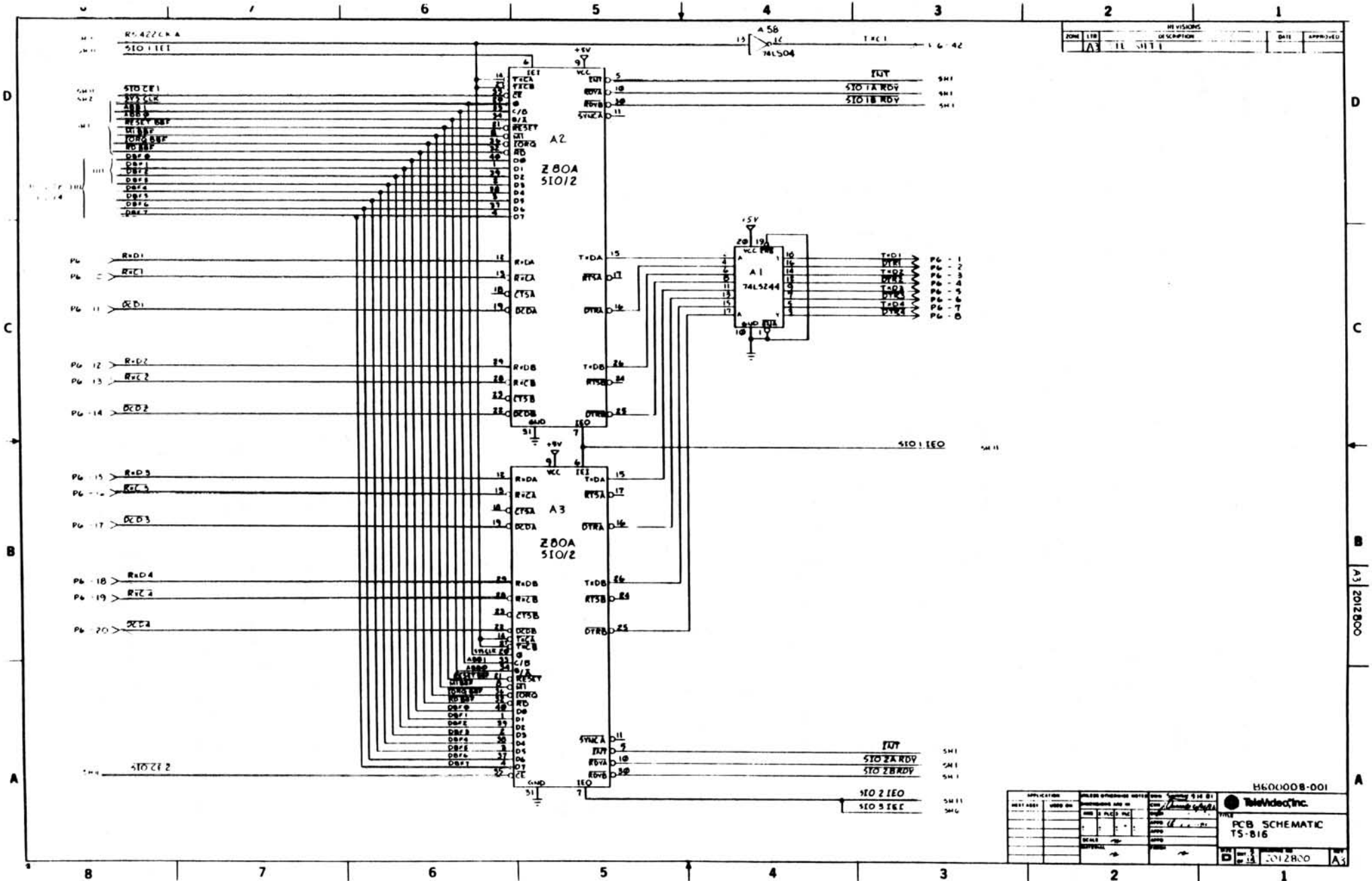
8600008-001

TRIVECTA, Inc.

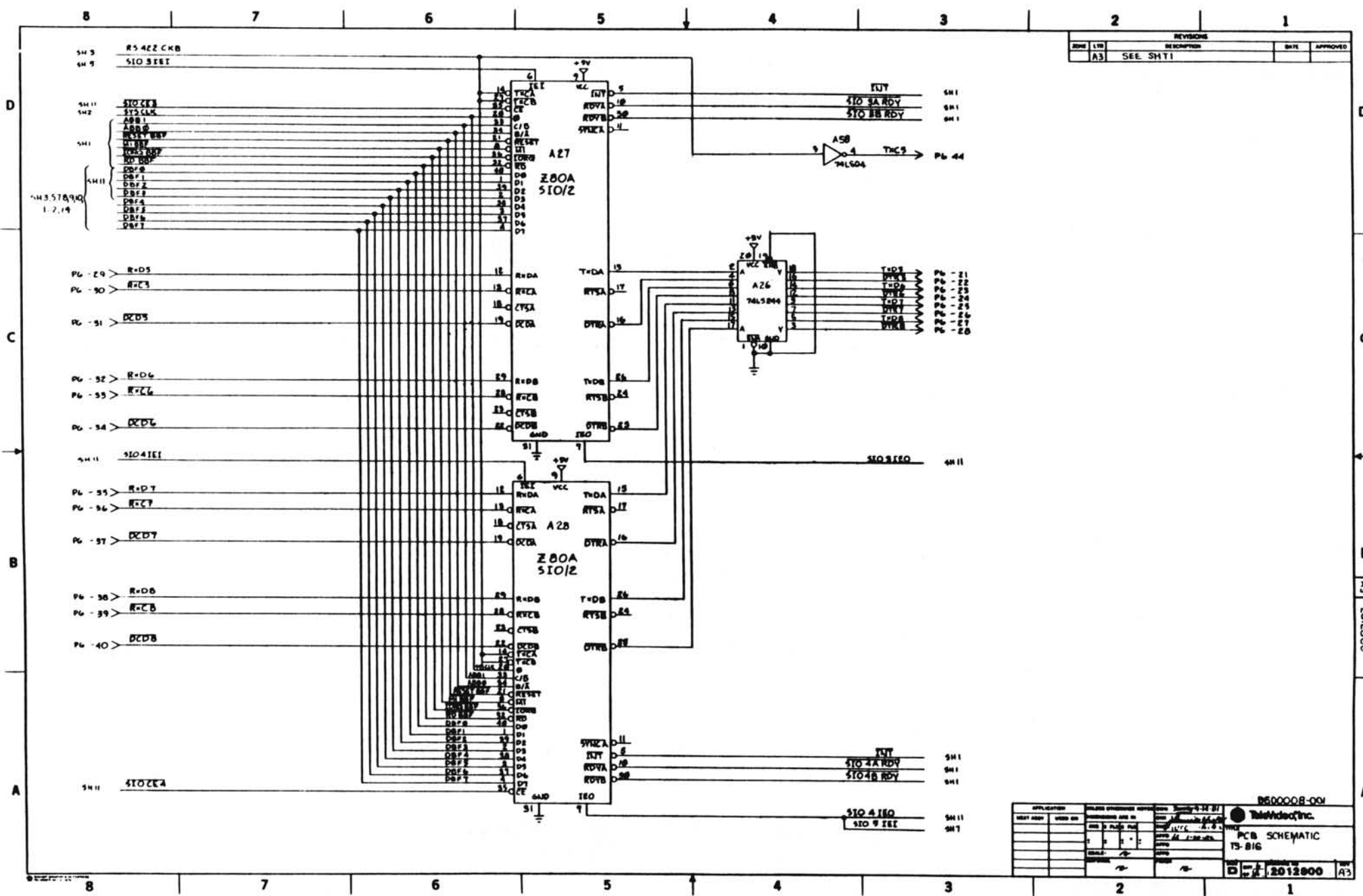
PCB SCHEMATIC  
TS-816

REV. 3  
2012800





APPLICATION		DESIGN APPROVED BY		DATE	
REV	NO	DATE	BY	DATE	BY
TITLE			H600008-001		
PCB SCHEMATIC			TS-816		
DATE			11/11/11		
DRAWN BY			A3		

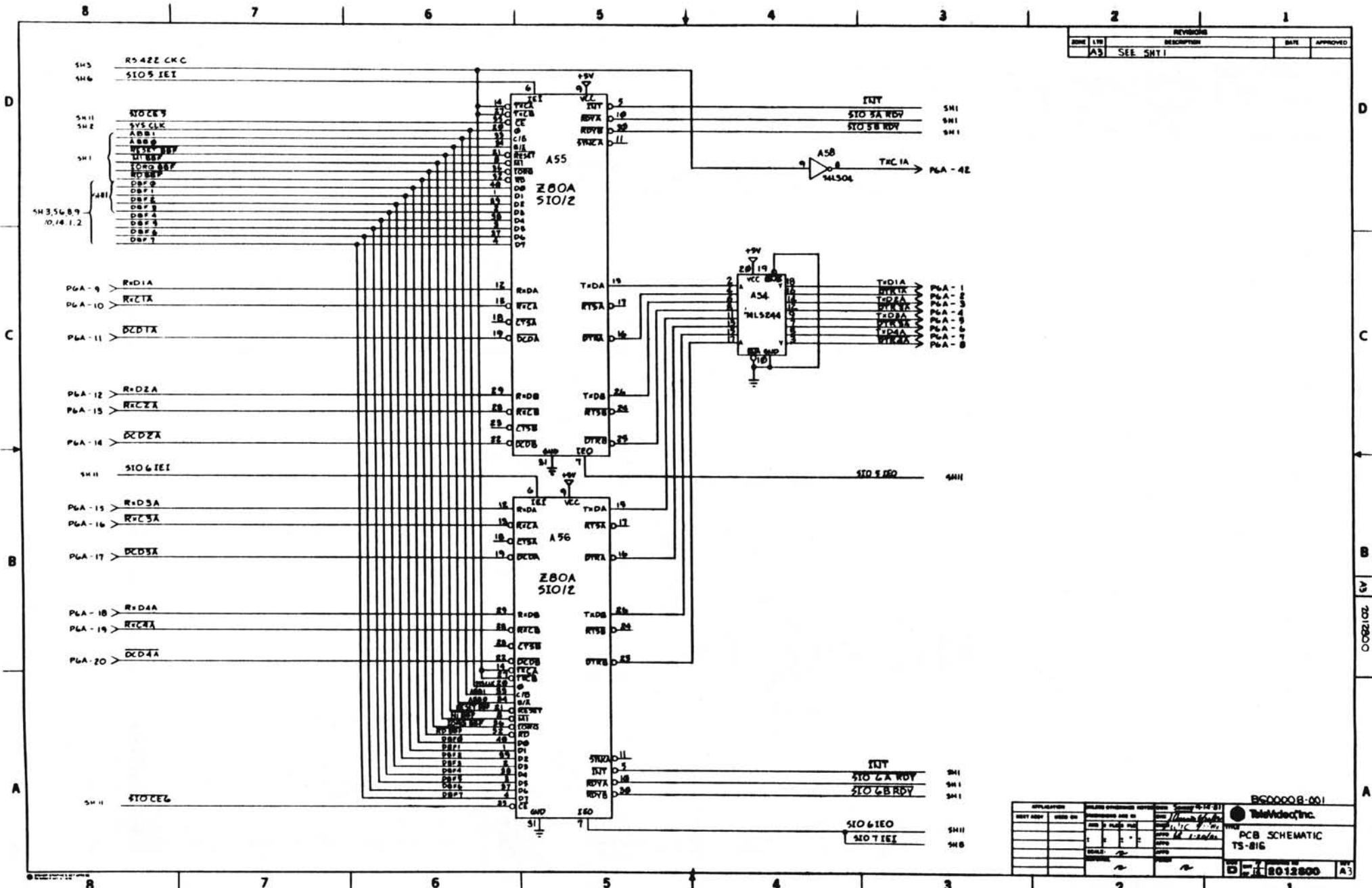


REVISIONS			
REV	DATE	DESCRIPTION	APPROVED
A3		SEE SHT 1	

APPLICATION		DESIGNED BY		DATE	
DESIGNED BY		CHECKED BY		DATE	
DRAWN BY		DATE		PCB SCHEMATIC	
DATE		DATE		15-816	
DATE		DATE		REV A3	
DATE		DATE		2012800	

D  
C  
B  
A  
A3  
2012800

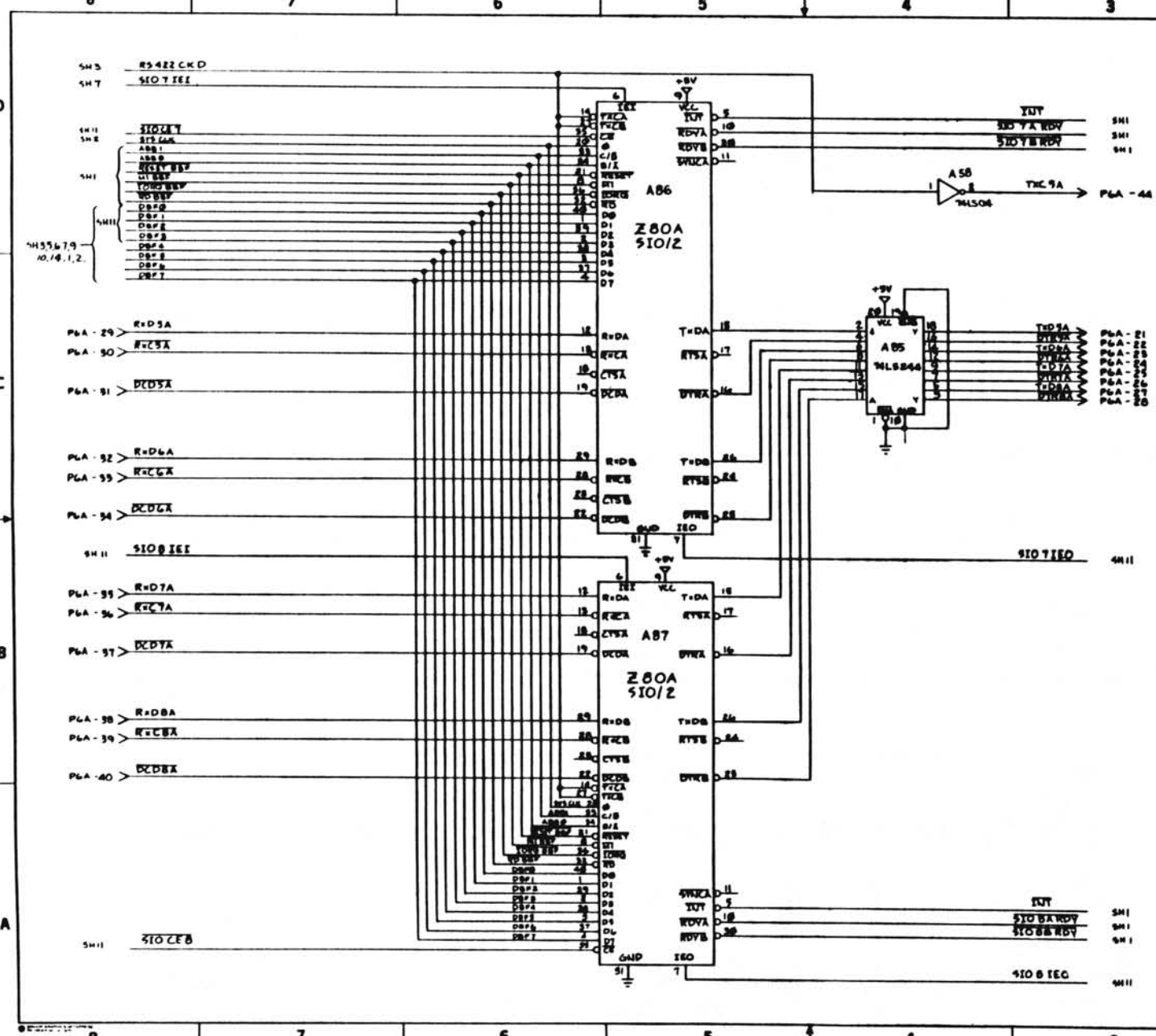
REVISIONS			
REV	DATE	DESCRIPTION	APPROVED
A3		SEE SHT 1	



APPLICATION		DESIGN ENGINEER		DATE		REVISED BY		DATE	
REV	NO.	BY	DATE	BY	DATE	BY	DATE	BY	DATE

BG00008-001  
**TeleVideo, Inc.**  
 PCB SCHEMATIC  
 TS-816  
 8012800 A3

REVISIONS			
REV#	DATE	DESCRIPTION	APPROVED
A3		SEE INT 1	

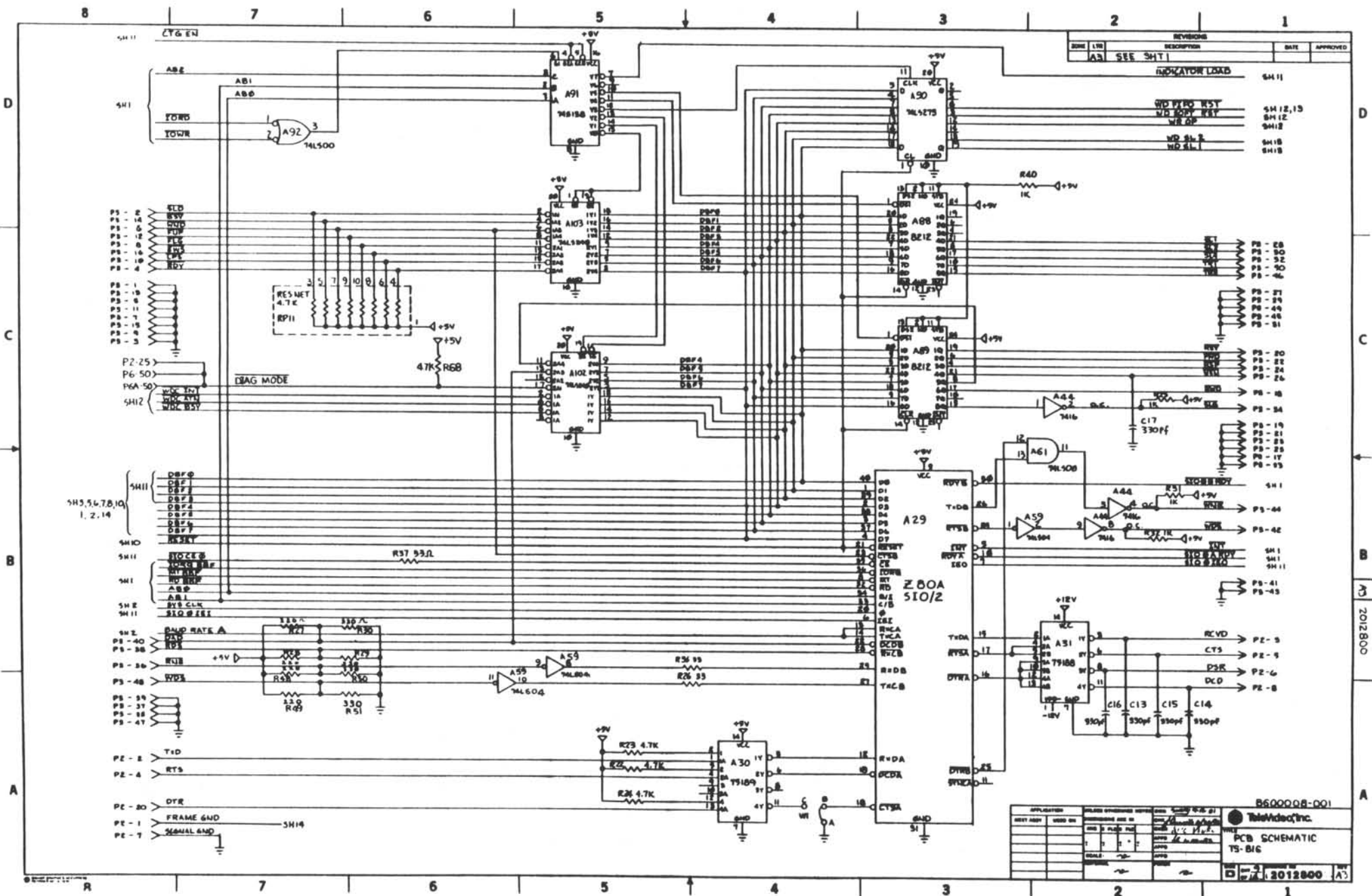


APPROVED	DESIGNED	DATE	BY

6500008-001  
 PCB SCHEMATIC  
 TS-888  
 2012000 A3

2012000



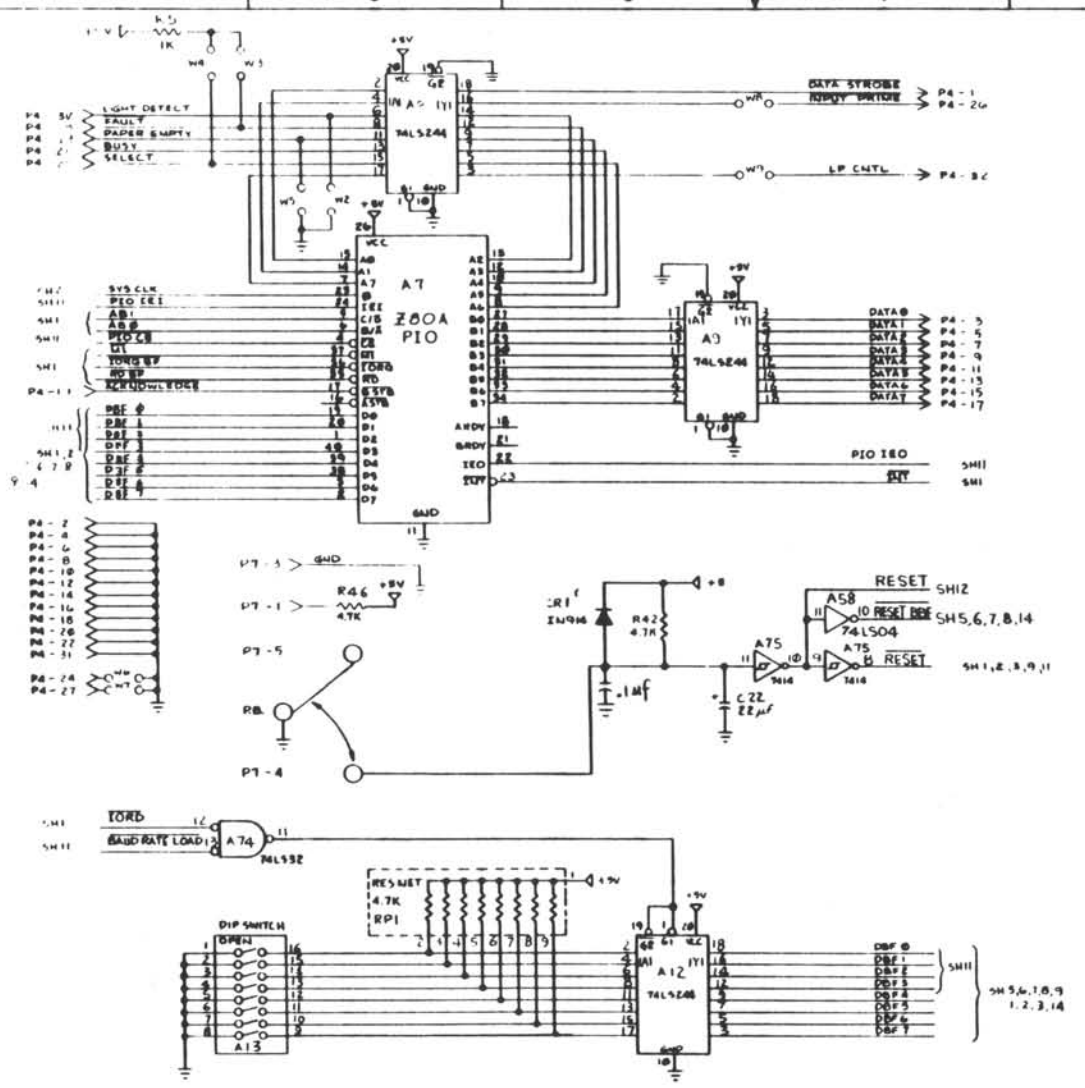


APPLICATION			
DESIGN APPROV	USED ON	APPROVED DATE	BY

2012800-001  
 TeleVideo, Inc.  
 PCB SCHEMATIC  
 TS-B16

REV 3  
 2012800  
 A3

REV	DATE	APPROVED
A3	SEE SHT 1	



APPLICATION	DESIGN CHANGES	DATE	BY	REV
REVISION	DATE	BY	REV	
TITLE: PCB SCHEMATIC T3-B86				
DESIGNED BY: [Signature] CHECKED BY: [Signature] DATE: 2012800				

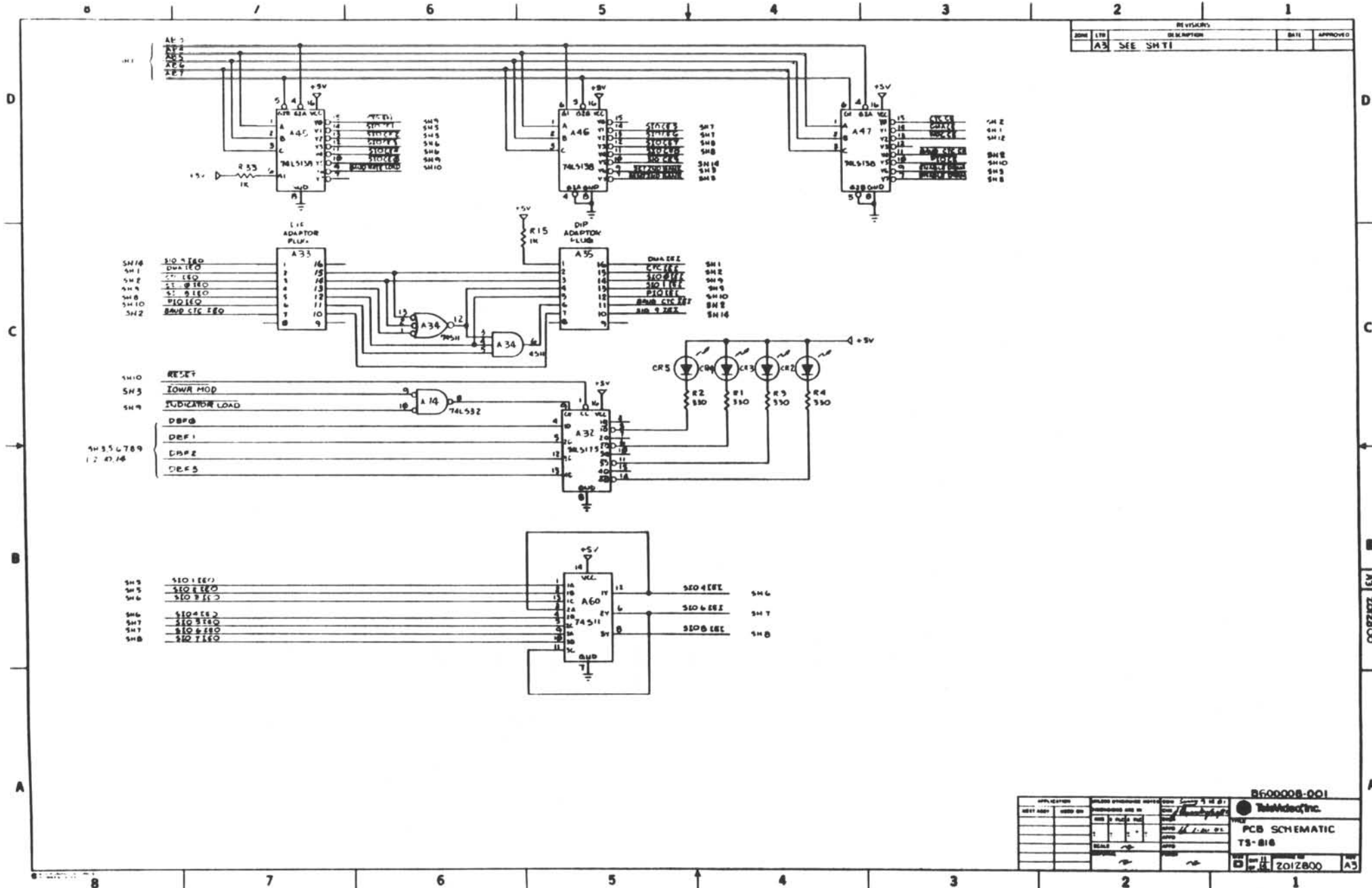
Bh00008-001

Intel/Intel

PCB SCHEMATIC  
T3-B86

DATE: 2012800

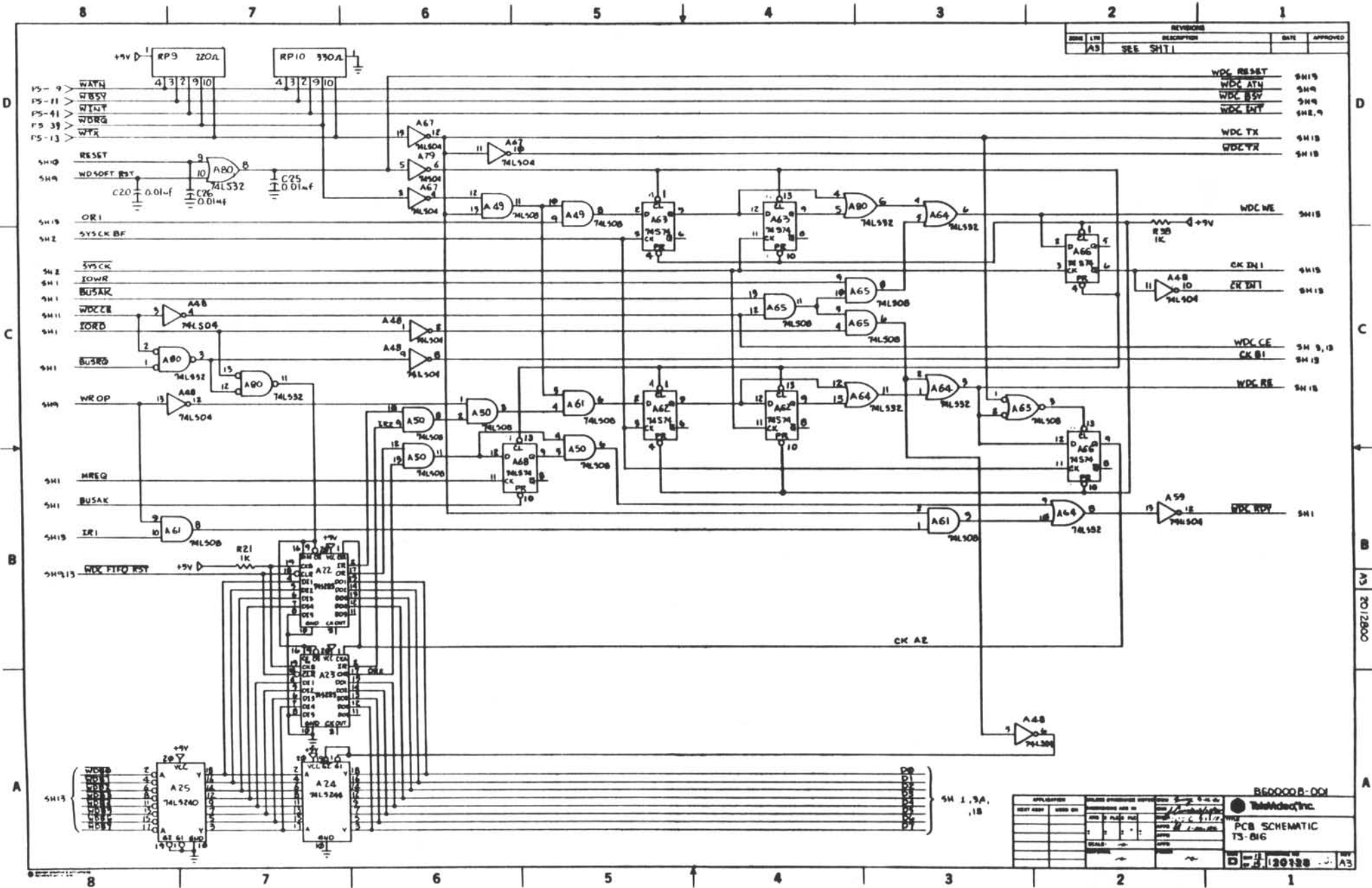
REVISIONS			
DATE	BY	DESCRIPTION	APPROVED
A3	SEE SMT1		



APPLICATION	DESIGN APPROVED BY	DATE	REV
TEST APP	WED BY	1997 12 21	1
	DESIGNED BY		
	CHK'D BY		
	APP'D		
	DATE		

8600008-001  
**Telrad, Inc.**  
 PCB SCHEMATIC  
 TS-816  
 12/21/97  
 ZOI2800 A3

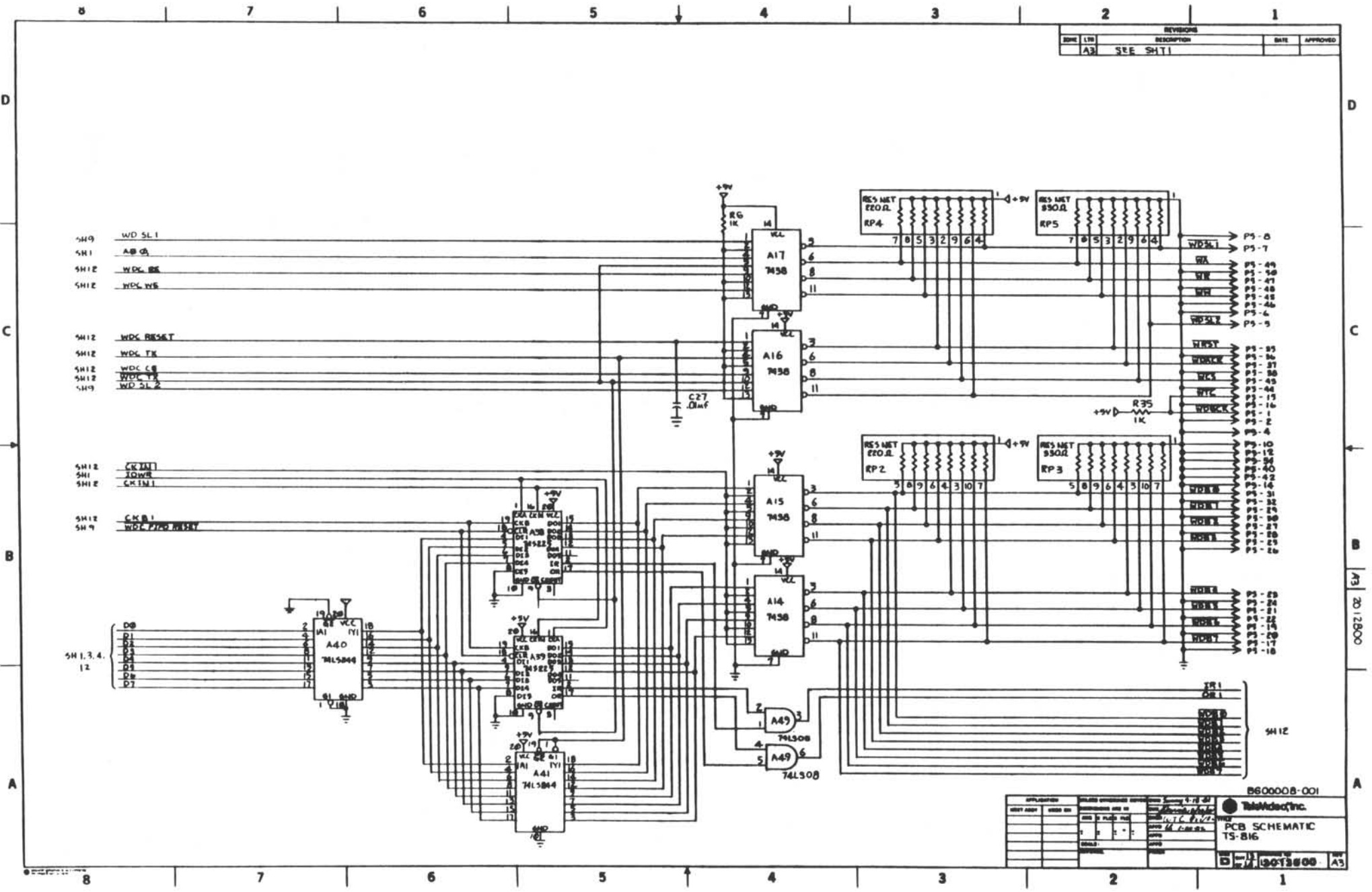
REVISIONS			
REV	DATE	DESCRIPTION	APPROVED
A3		SEE SHT 1	



APPLICATOR	DATE	DESIGNER	DATE	REVISION

860000-B-001  
**Taltech, Inc.**  
 PCB SCHEMATIC  
 T3-B16  
 120128 A3

REVISIONS				
REV	DATE	DESCRIPTION	DATE	APPROVED
A3		SEE SH11		



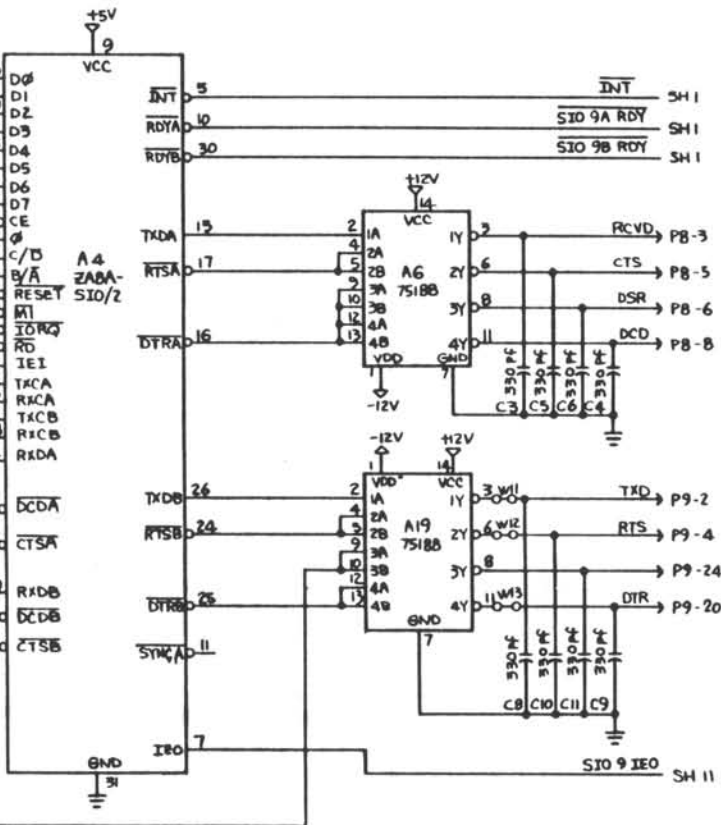
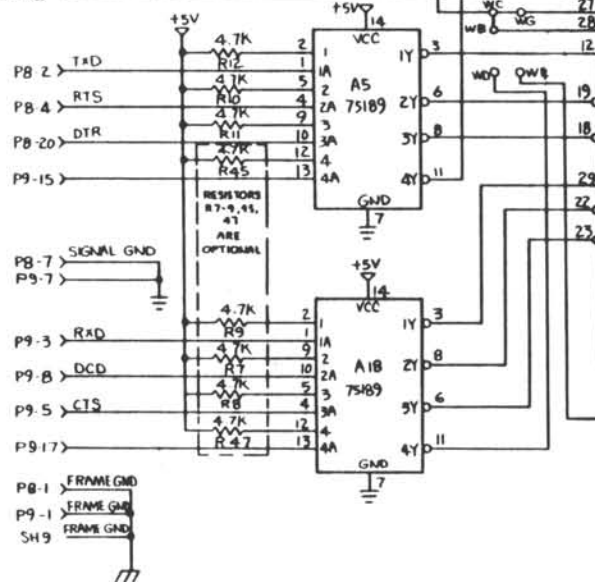
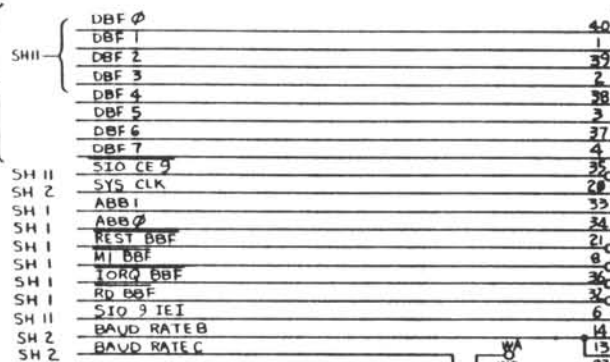
APPLICATION:	DESIGN APPROVED BY:	DATE:	REVISED BY:	DATE:
TEST APP:	DESIGN IN:	DATE:	REVISED BY:	DATE:
TEST APP:	DESIGN IN:	DATE:	REVISED BY:	DATE:
TEST APP:	DESIGN IN:	DATE:	REVISED BY:	DATE:
TEST APP:	DESIGN IN:	DATE:	REVISED BY:	DATE:
TEST APP:	DESIGN IN:	DATE:	REVISED BY:	DATE:

8600008-001  
**Teledyne, Inc.**  
 PCB SCHEMATIC  
 TS-816

DATE: 11/15/74  
 DRAWN BY: J. J. [unreadable]  
 CHECKED BY: [unreadable]

REVISIONS		DATE	APPROVED
REV	DESCRIPTION		
1	SEE SH-1		

SH 1 2 3 5  
6 7 8 9 10



APPROVED	DESIGNED	DATE	REV

8600008-001

TableAdeco, Inc.

PCB SCHEMATIC  
T3-816

2012800

B900008-001

PART NUMBER	DESCRIPTION/TITLE	LOCATIONS REV A3
2045900	TRANSISTOR, 2N2907	Q1,2
2048100	DIODE, LED	CR2-5
2047500	DIODE, 1N914	CR1
2051500	RES. 330 ohm 5% 1/4W	R1-4,29,30,50, 51
2052100	RES. 1K ohm 5% 1/4W	R5,6,15,17,21, 25,31-35,38-41, 44,69
2034300	RES. 200 ohm 5% 1/4W	R13,14
2051100	RES. 68 ohm 5% 1/4W	R16,18,64-67
2034700	RES. 20 ohm 5% 1/4W	R19,20
2034500	RES. 33 ohm 5% 1/4W	R26,36,37,43, 52,56-63
2053100	RES. 4.7K OHM 5% 1/4	R10-12,22-24,42 46,53-55,68
2041300	RES. PACK 4.7K 10pin SIP	RP1,6-8,11
2042100	RES. PACK 330 10pin SIP	RP3,5,10
2041900	RES. PACK 220 10pin SIP	RP2,4,9
2042900	RES. PACK 4.7K 8 PIN SIP	RP12
2041700	RES. PACK 33 ohm 16pin DIP	A104
2040300	RES. 220 ohm 5% 1/4W	R27,28,48,49
2096700	DIP-SWITCH 16 PIN	A13
2098501	DIP-ADAPTOR PLUG 16 PIN	A33,35
2098402	SOCKET, 40 PIN	A2-4,7,27-29, 55,56,86,87, 94,95
2098404	SOCKET, 28 PIN	A10,11
2098401	SOCKET, 24 PIN	A96

PARTS LIST FOR TS 816

PAGE 3 OF 4

B900008-001

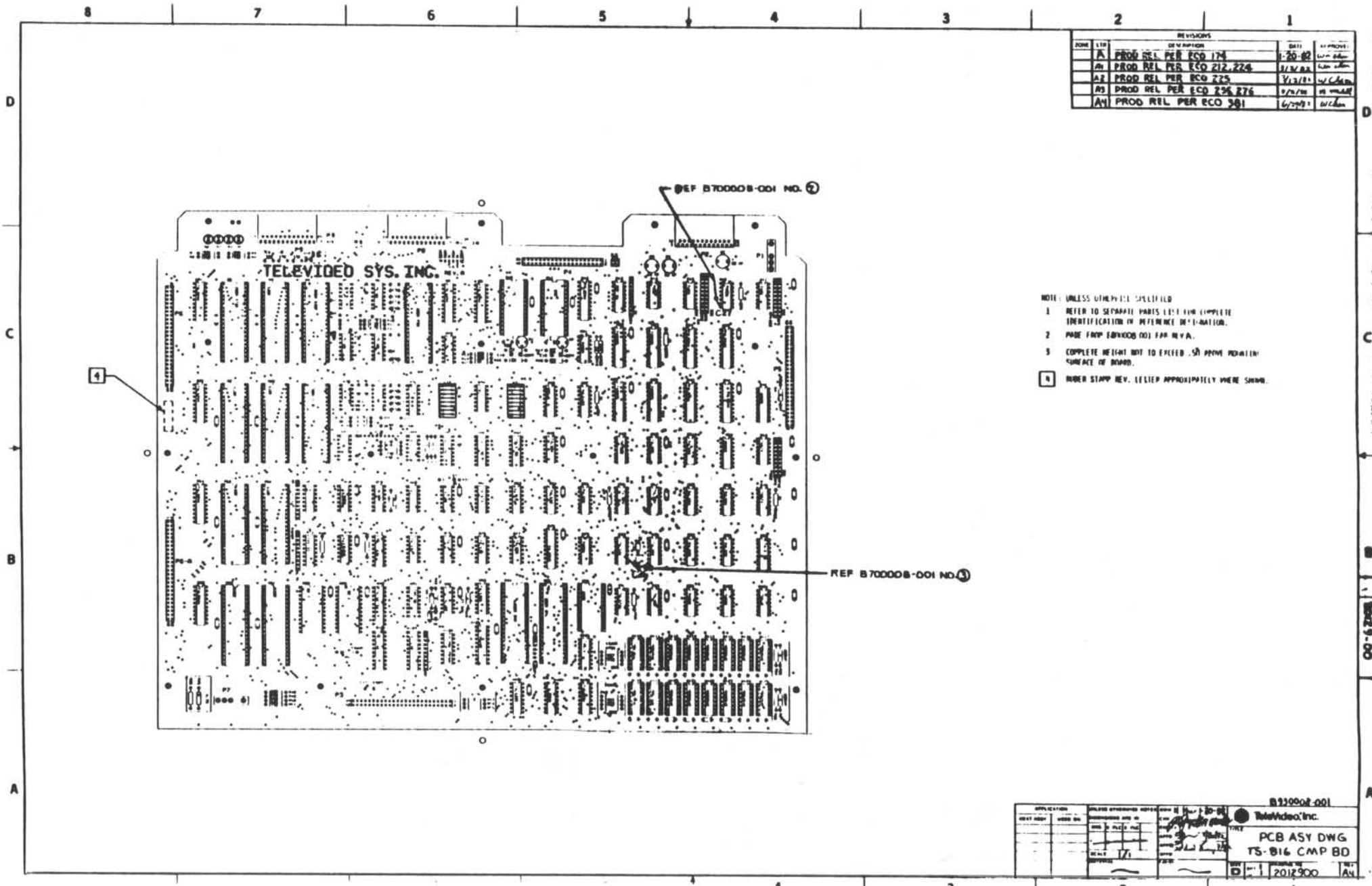
PART NUMBER	DESCRIPTION/TITLE	LOCATIONS REV A3
2038800	IC 74S32	A99
2024000	IC 74S00	A100
2024800	IC 74LS04	A48,59,67
2043600	IC 7438	A14-17
2041000	IC 74LS138	A45-47,84
2041400	IC 74S10	A101
2038400	IC 74S133	A71
2024200	IC 74LS00	A92
2044000	IC 74LS240	A25,102,103
2047200	IC 74S225	A22,23,38,39
2039000	IC 7416	A44
2035400	IC 7414	A75
2037600	IC 74LS273	A90
2051000	IC 280A CPU	A95
2051200	IC 280A DMA	A94
2037400	IC 74LS365	A93,107,108
2038200	IC 74S157	A106,109
8100053	IC SYS PROG EPROM 2352	A96
2043200	IC 8212	A88,89
2051600	IC MB8264E,200NS	A110-125
2044800	IC 74S138	A91
2040000	IC 74LS11	A43,57
2044200	IC 74LS244	A1,8,9,12,24 26,40,41,54,85
2037800	IC 74S240	A105



PART NUMBER	DESCRIPTION/TITLE	LOCATIONS REV A3
2024700	CAP., 100 pf 50V 5%	C18,19
2029300	CAP., 330 pf 50V 10%	C3-6,8-11, 13-17
2026100	CAP., 22 uf 50V ELECT	C22,CA,CB,CC
2028700	CAP., .01 uf 16V +80%-20%	C1,20,25,26,27
2031300	CAP., 0.1 uf 16V +80%-20%	UNMARKED,& C2, 7,12
2050600	IC Z80A-SIO/2	A2-4,27-29,55, 56,86,87
2036200	IC 74LS245	A78
2038000	IC 74LS175	A32
2027600	IC 74LS163	A37,73
2024600	IC 74S04	A21,58,72,79
2050400	IC Z80-A PIO	A7
2047000	IC 74S11	A34,60
2040800	IC 93S16	A36
2042800	OSC 16 MHZ	A20
2050800	IC Z80A CTC	A10,11
2029400	IC 75189	A5,18,30
2029200	IC 75188	A6,19,31
2026600	IC 74LS74	A62,63,66,68, 69,97
2025800	IC 74LS32	A64,74,76,80, 81,98
2025200	IC 74LS08	A49,50,51,61, 65,77,82,83
2026400	IC 74S74	A53,70

B900008-001

PART NUMBER	DESCRIPTION/TITLE	LOCATIONS REV A3
2098405	SOCKET, 16 PIN	A110-125
2097800	CONN.25PIN,D-SUB,FEM-PCB	P2,8,9
2098107	CONN.40 PIN HEADER,STRAIGHT	P4
2098108	CONN.50 PIN HEADER,STRAIGHT	P3,P5,P6,P6A
2098700	CONN. 5 PIN WAFER, R/A	P1,7



REVISIONS				
ZONE	LT#	DESCRIPTION	DATE	APPROVE
A		PROD REL PER ECO 174	1-20-82	W. Chen
A1		PROD REL PER ECO 212, 224	3/13/82	W. Chen
A2		PROD REL PER ECO 225	3/13/82	W. Chen
A3		PROD REL PER ECO 236, 276	5/21/82	W. Chen
A4		PROD REL PER ECO 301	6/29/82	W. Chen

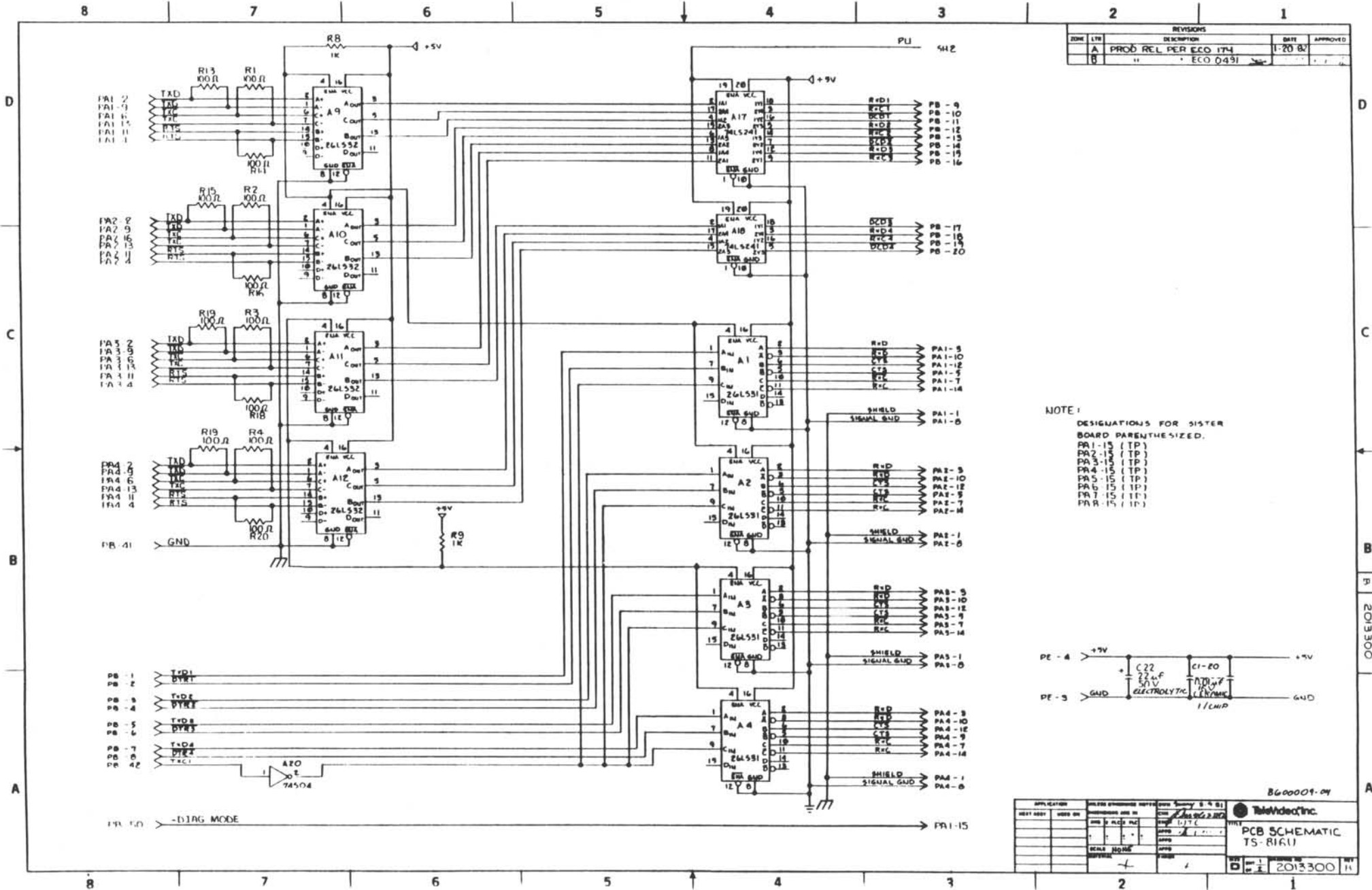
- NOTE: UNLESS OTHERWISE SPECIFIED
1. REFER TO SEPARATE PARTS LIST FOR COMPLETE IDENTIFICATION OR REFERENCE DESIGNATION.
  2. PADDED FROM EDWARDS (00) FOR N.Y.A.
  3. COMPLETE HEIGHT BUT TO EXCEED .50 ABOVE HOLE IN SURFACE OF BOARD.
- 4 UNDER STAMP REV. LETTER APPROPRIATELY WHERE SHOWN.

B70008-001

APPLICATION	DESIGN ENGINEER	DATE	BY
TEST AREA	USED BY		

**TeleVideo, Inc.**  
 PCB ASY DWG  
 TS-816 CMP BD  
 2012300  
 A4

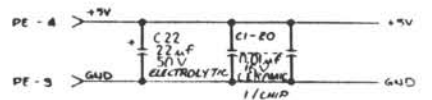
00-6-2088



REVISIONS			
ZONE	LTN	DESCRIPTION	DATE APPROVED
A		PROD REL PER ECO 174	1-20 82
B		ECO 0491	

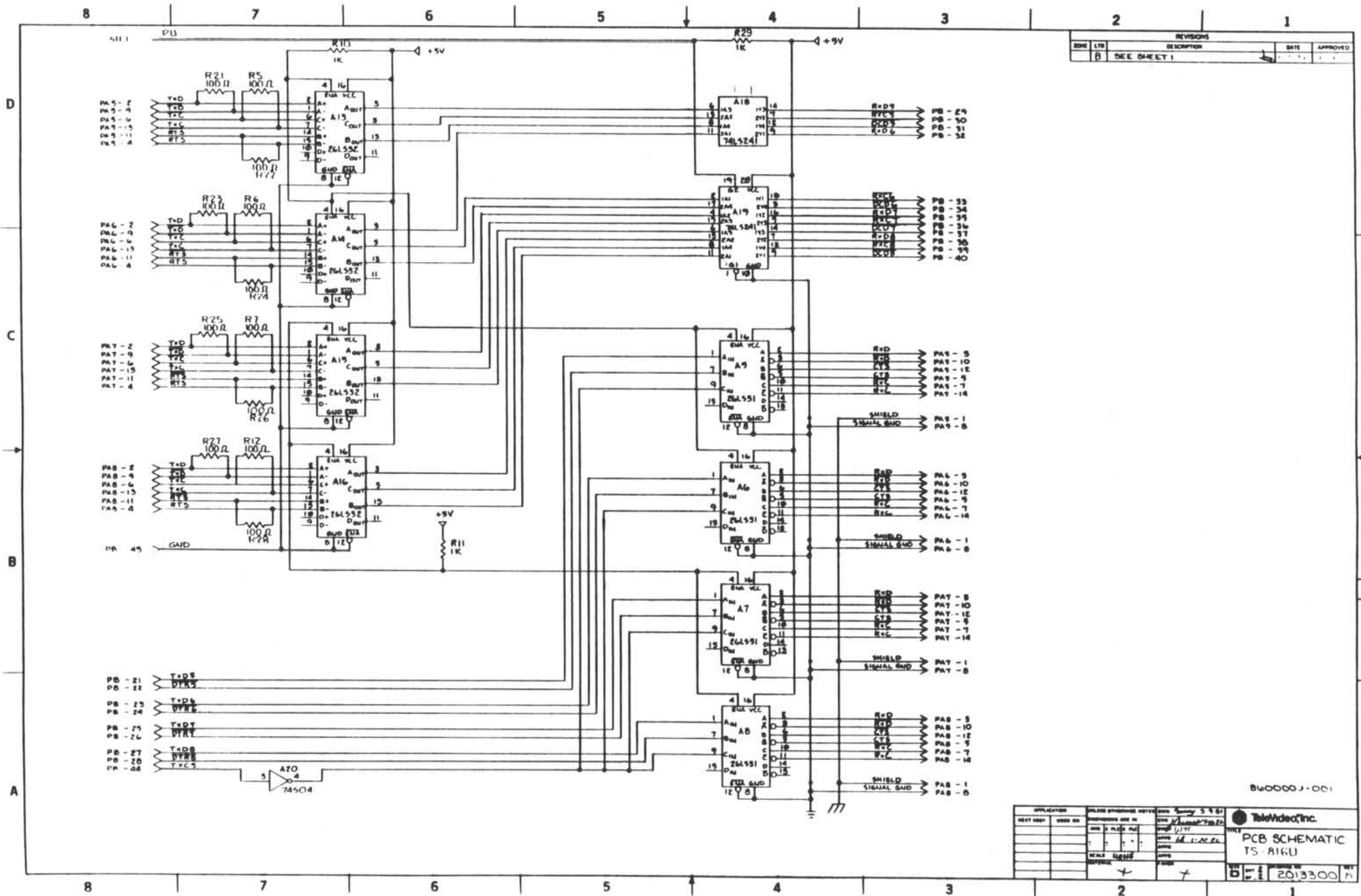
NOTE:  
 DESIGNATIONS FOR SISTER  
 BOARD PARENT-SIZED.

- PA1-15 (TP)
- PA2-15 (TP)
- PA3-15 (TP)
- PA4-15 (TP)
- PA5-15 (TP)
- PA7-15 (TP)
- PA8-15 (TP)



APPLICATION	DESIGN ENGINEER	DATE	860001-04
TEST UNIT	USED ON	DESIGNER	TS-R16U
SCALE	NONE	APP'D	
REVISION		DATE	2013300

Teladec, Inc.  
**PCB SCHEMATIC**  
 TS-R16U



REVISIONS				
ZONE	LN	DESCRIPTION	DATE	APPROVED
B	1	SEE SHEET 1		

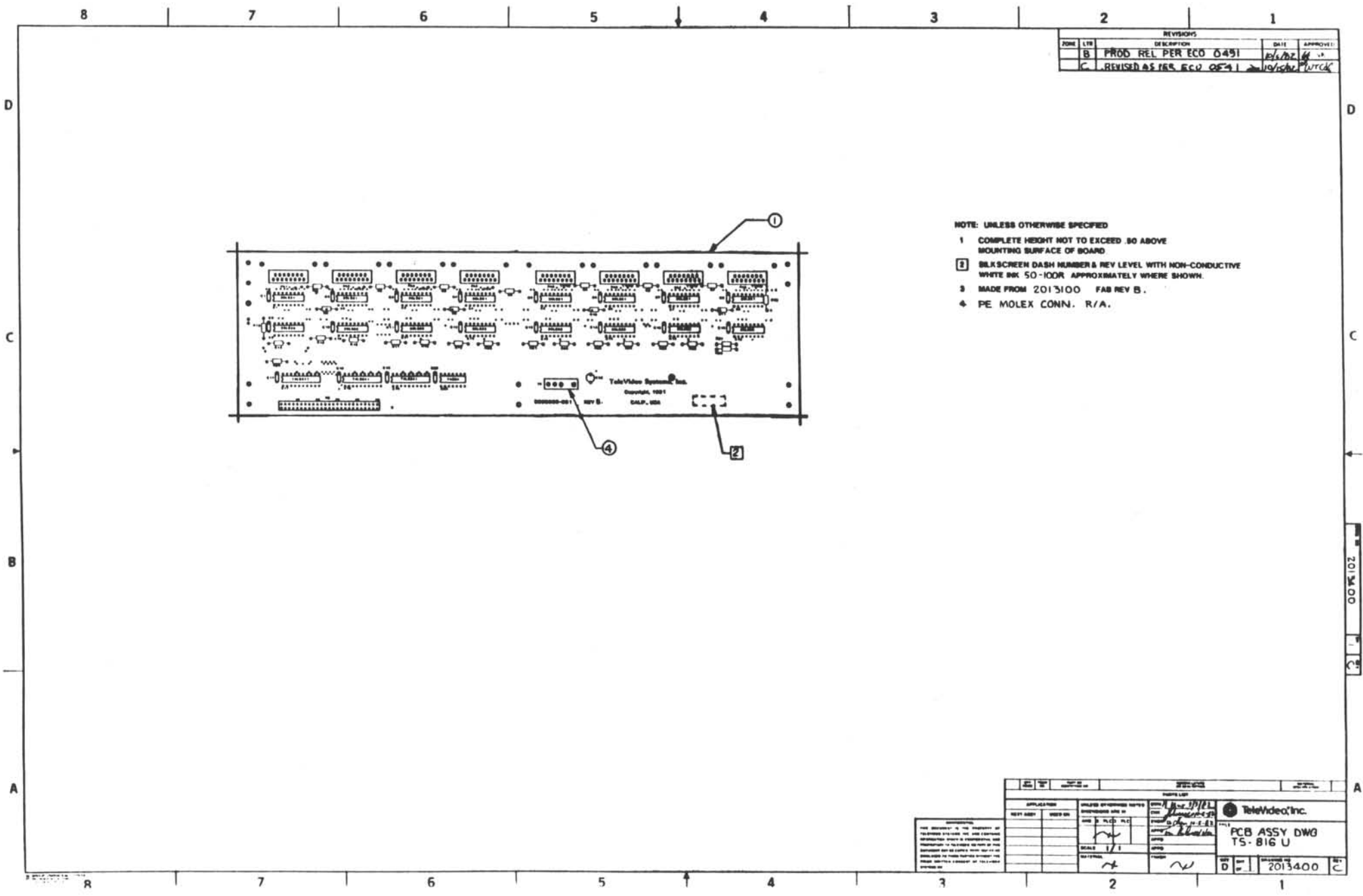
Bu0000J-001

APPLICATION	DESIGN APPROVED	DATE	BY

**PCB SCHEMATIC**  
 TS-RIGU  
 2013300

B900009-001

PART NUMBER	DESCRIPTION/TITLE	LOCATIONS REV A1
2028700	CAP. .01uf 10%	C1-20
2026100	CAP. 22uf 50V	C21
2042400	IC 26LS31	A1-8
2042600	IC 26LS32	A9-16
2042000	IC 74LS241	A17-19
2024600	IC 74S04	A20
2098700	CONN. 5 PIN (MOLEX) R/A	PD
2098000	CONN. 15 PIN D-SUB	PA1-8
2174401	CONN. HEADER 50 PIN	PB
2052100	RES. 1K 5% 1/4W	R8-11,29
2034900	RES. 100 ohm 1% 1/4W	R1-7,12-28



REVISIONS			
ZONE	LTG	DESCRIPTION	DATE
B		PROD REL PER ECO 0491	8/1/82
C		REVISED AS PER ECO 0541	10/1/82

- NOTE: UNLESS OTHERWISE SPECIFIED
- 1 COMPLETE HEIGHT NOT TO EXCEED .80 ABOVE MOUNTING SURFACE OF BOARD
  - 2 SILKSCREEN DASH NUMBER & REV LEVEL WITH NON-CONDUCTIVE WHITE INK 50-100R APPROXIMATELY WHERE SHOWN.
  - 3 MADE FROM 2013100 FAB REV B.
  - 4 PE MOLEX CONN. R/A.

TeleVideo Systems, Inc.  
Copyright, 1981  
CALIF., USA

APPLICATION		UNLESS OTHERWISE NOTED		DATE	
REV	DATE	BY	CHKD	DATE	BY

THIS DRAWING IS THE PROPERTY OF TELEVIDEO SYSTEMS, INC. AND IS LOANED TO YOU FOR YOUR INFORMATION AND USE ONLY. IT IS NOT TO BE REPRODUCED OR TRANSMITTED IN ANY FORM OR BY ANY MEANS, ELECTRONIC OR MECHANICAL, INCLUDING PHOTOCOPYING, RECORDING, OR BY ANY INFORMATION STORAGE AND RETRIEVAL SYSTEM, WITHOUT THE WRITTEN PERMISSION OF TELEVIDEO SYSTEMS, INC.		TeleVideo, Inc. <b>PCB ASSY DWG</b> <b>TS-816 U</b> REV D 2013400
---	--	---

00000001