

# Data Management Unit

## DMU-2000

### Technical Supplement

©2006 VERTEX STANDARD CO., LTD. Printed in Japan.  
EAE96X90A

**VERTEX STANDARD CO., LTD.**  
4-8-8 Nakameguro, Meguro-Ku, Tokyo 153-8644, Japan

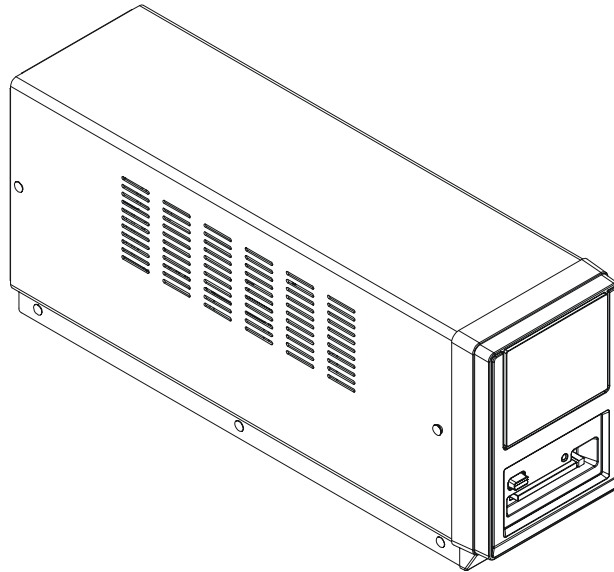
**VERTEX STANDARD**  
**US Headquarters**  
10900 Walker Street, Cypress, CA 90630, U.S.A.

**YAESU EUROPE B.V.**  
P.O. Box 75525, 1118 ZN Schiphol, The Netherlands

**YAESU UK LTD.**  
Unit 12, Sun Valley Business Park, Winnall Close  
Winchester, Hampshire, SO23 0LB, U.K.

**VERTEX STANDARD HK LTD.**  
Unit 5, 20/F., Seaview Centre, 139-141 Hoi Bun Road,  
Kwun Tong, Kowloon, Hong Kong

**VERTEX STANDARD (AUSTRALIA) PTY., LTD.**  
Normanby Business Park, Unit 14/45 Normanby Road  
Notting Hill 3168, Victoria, Australia



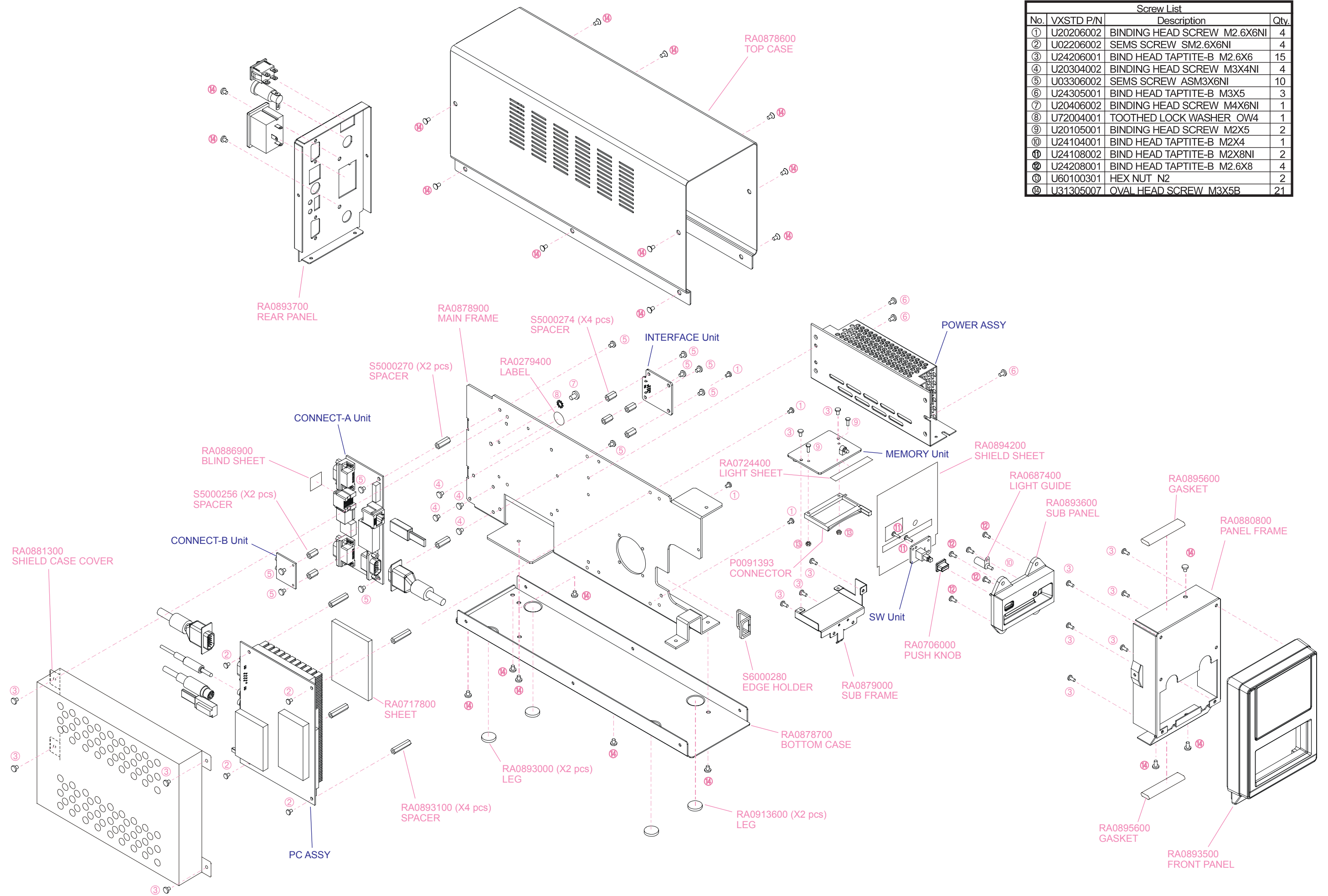
## Supplied Parts

SCOPE Unit (p/n: CS1898001) .....	1 pc
CF Card(128 MB) (p/n: Q9000855) .....	1 pc
AC Power Cord .....	1 pc
(p/n: T9017882: USA / T9013285: Europe / T9013283A: Australia)	
Connection Cable (p/n: T9101560) .....	1 pc
3.15A Spare Fuse (p/n: Q00000096) .....	1 pc
Screws ASM3X6NI (p/n: U03306002) .....	4 pcs

## Specifications

Supply Voltage:	100 VAC ~ 240 VAC, 50/60 Hz (Universal)
Power Consumption (Approx.):	50 VA
Dimensions (WxHxD):	3.9" x 5.3" x 13.8" (100 x 135 x 350 mm)
Weight (Approx.):	6.8 lbs (3.1 kg)

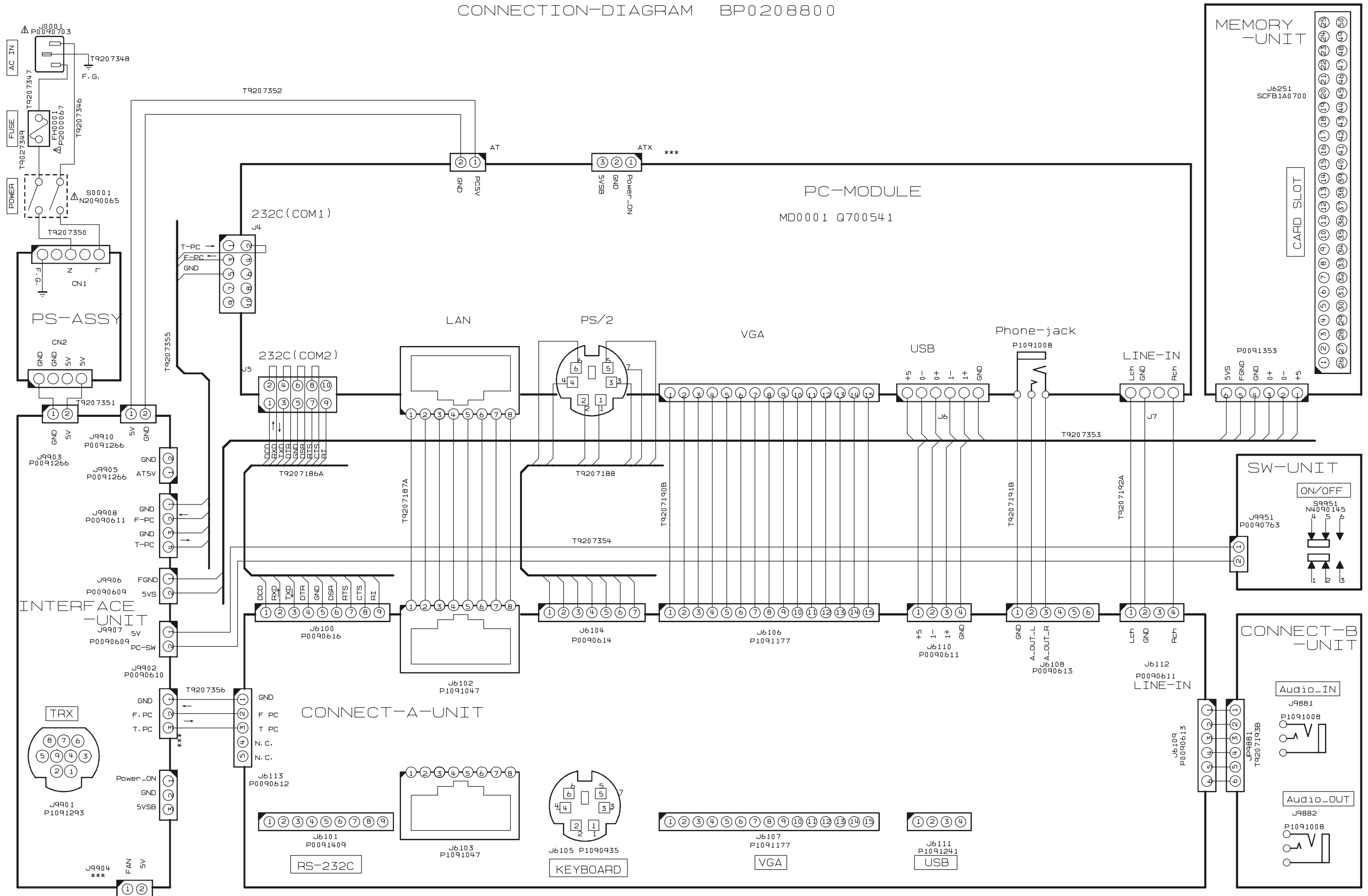
# Exploded Views & Mechanical Parts



Screw List			
No.	VXSTD P/N	Description	Qty.
①	U20206002	BINDING HEAD SCREW M2.6X6NI	4
②	U02206002	SEMS SCREW SM2.6X6NI	4
③	U24206001	BIND HEAD TAPTITE-B M2.6X6	15
④	U20304002	BINDING HEAD SCREW M3X4NI	4
⑤	U03306002	SEMS SCREW ASM3X6NI	10
⑥	U24305001	BIND HEAD TAPTITE-B M3X5	3
⑦	U20406002	BINDING HEAD SCREW M4X6NI	1
⑧	U72004001	TOOTHED LOCK WASHER OW4	1
⑨	U20105001	BINDING HEAD SCREW M2X5	2
⑩	U24104001	BIND HEAD TAPTITE-B M2X4	1
⑪	U24108002	BIND HEAD TAPTITE-B M2X8NI	2
⑫	U24208001	BIND HEAD TAPTITE-B M2.6X8	4
⑬	U60100301	HEX NUT N2	2
⑭	U31305007	OVAL HEAD SCREW M3X5B	21

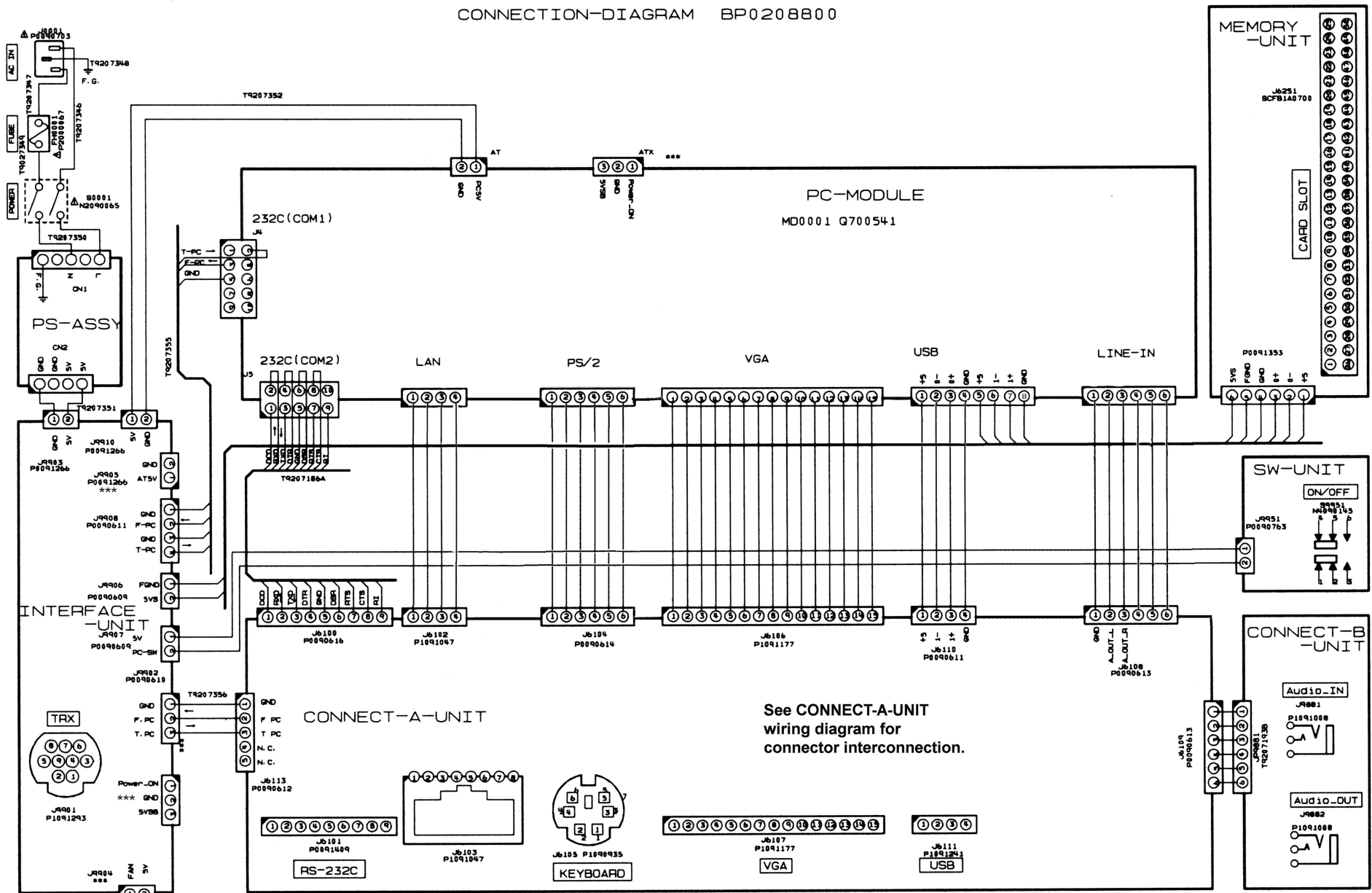
# Connection Diagram

CONNECTION-DIAGRAM BP0208800

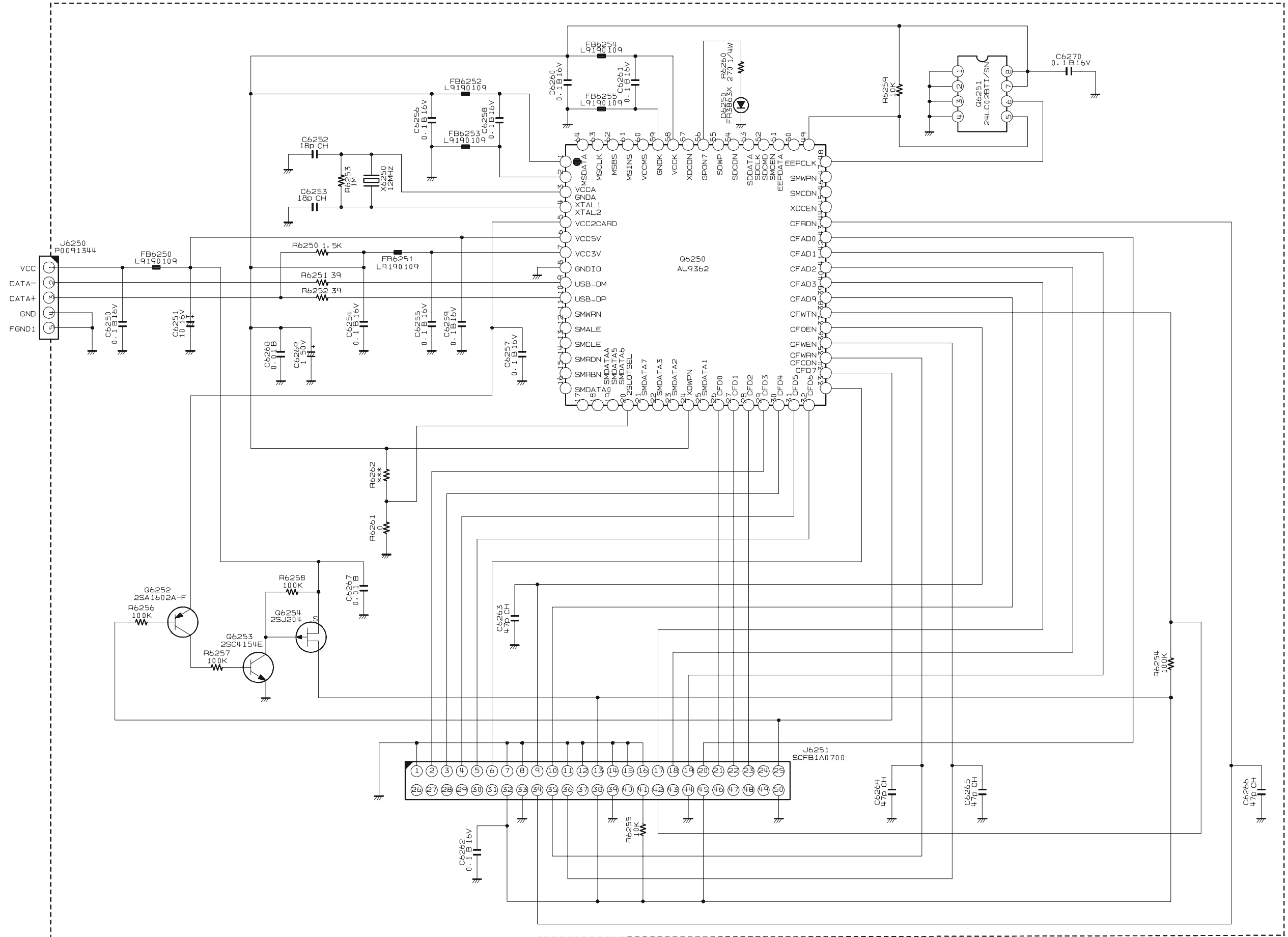


# Connection Diagram

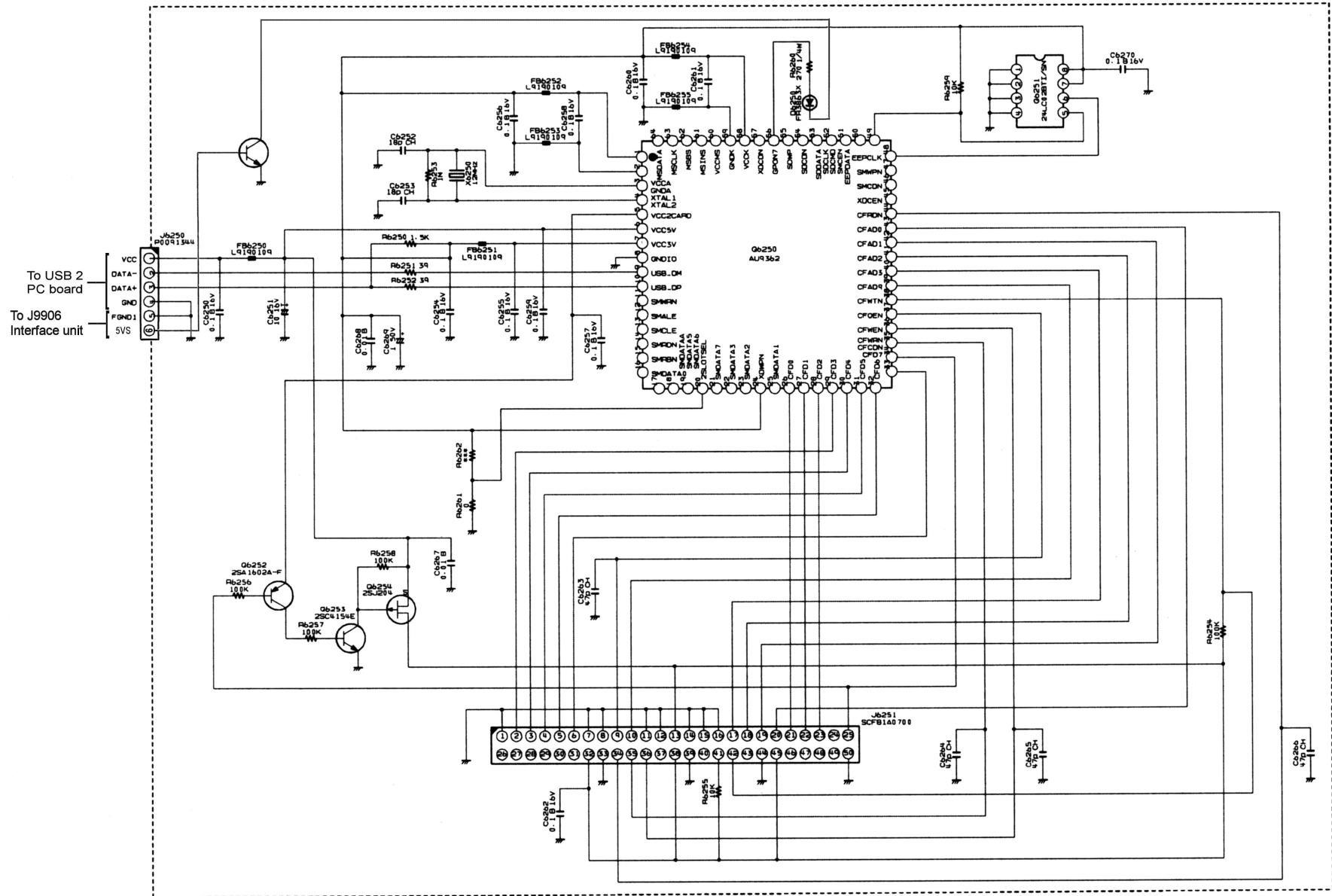
CONNECTION-DIAGRAM BP0208800



# MEMORY-UNIT Circuit Diagram

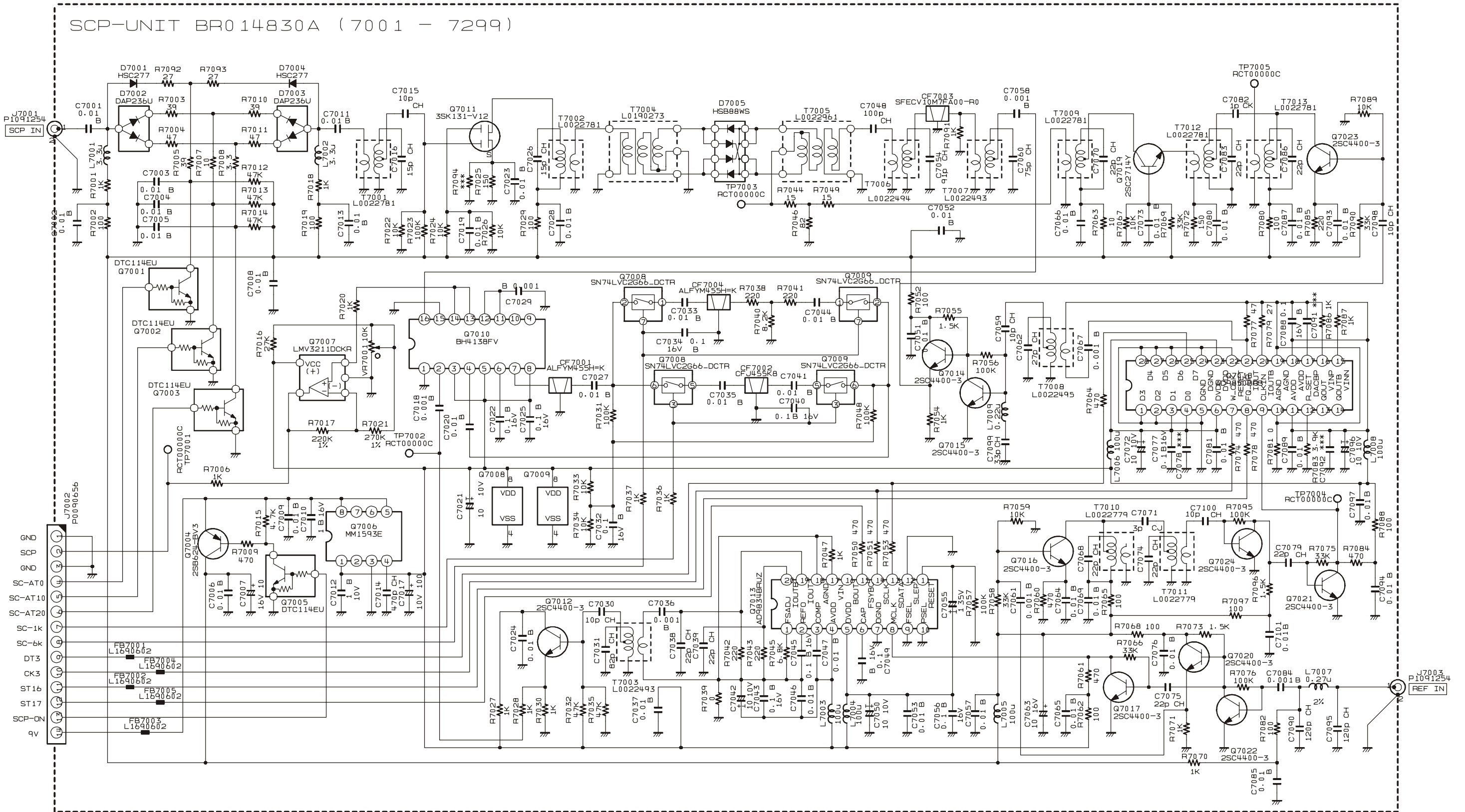


# MEMORY-UNIT Circuit Diagram



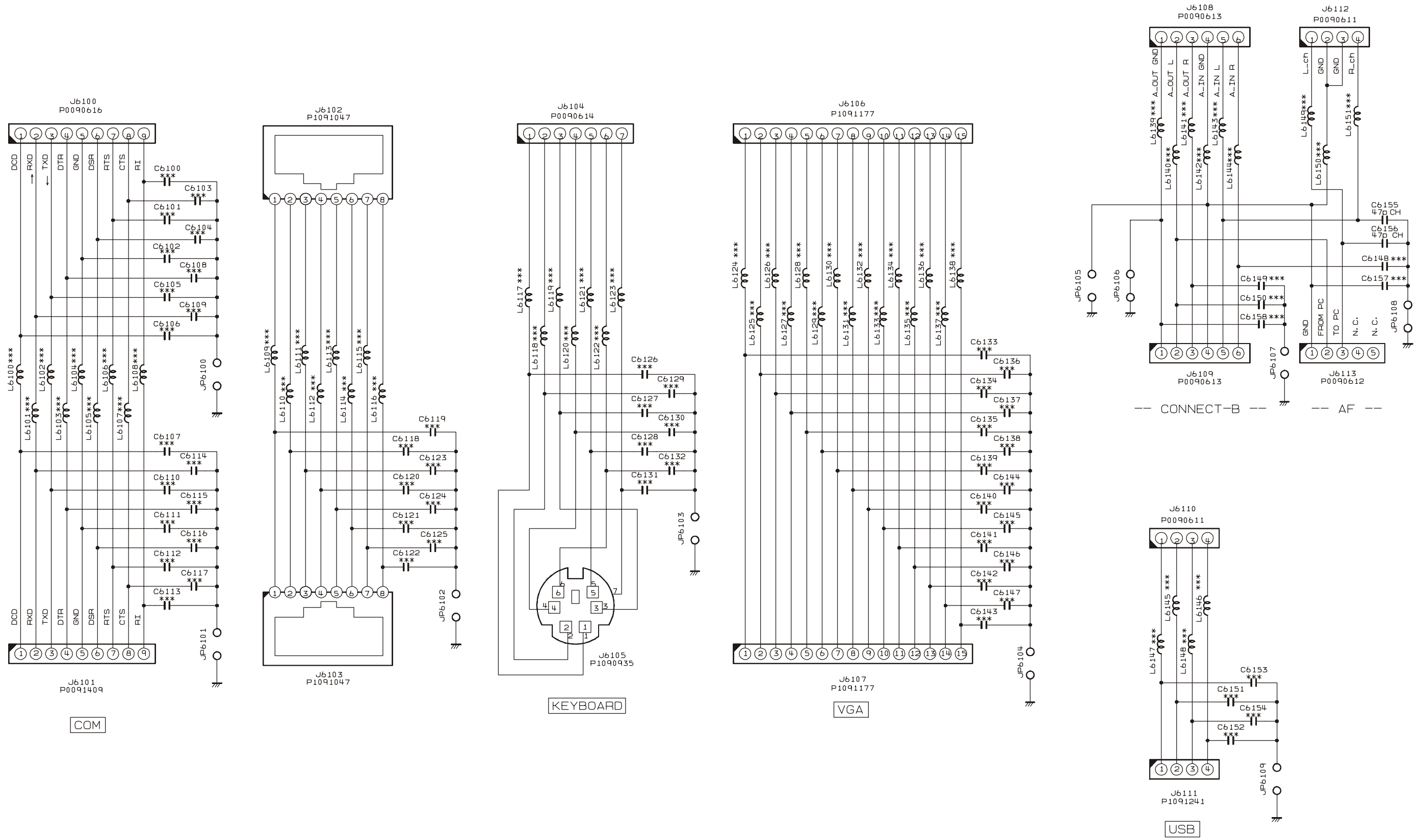


# SCOPE (SCP)-UNIT Circuit Diagram



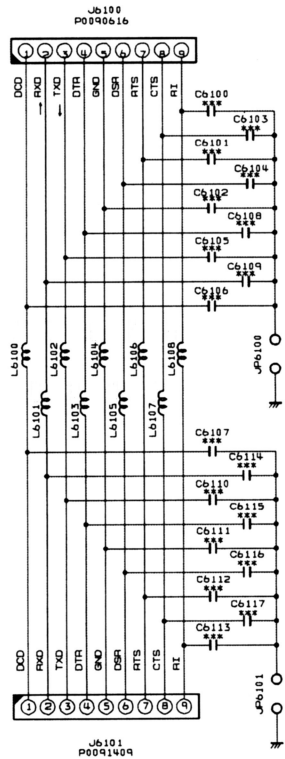
# CONNECT-A-UNIT Circuit Diagram

CONNECT-A-UNIT BR0 12800C  
(6100-6190)

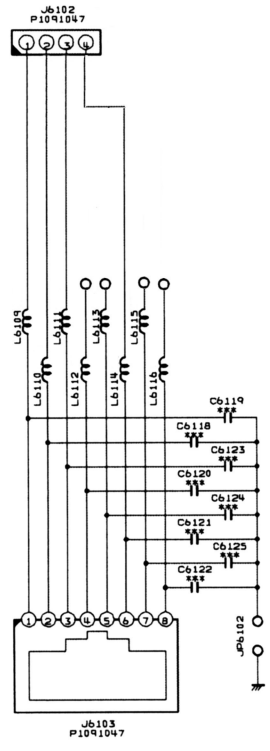




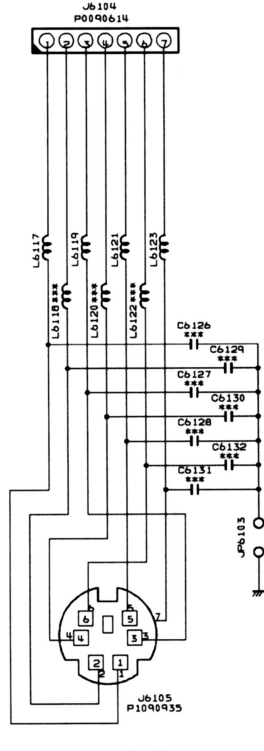
# CONNECT-A-UNIT Circuit Diagram



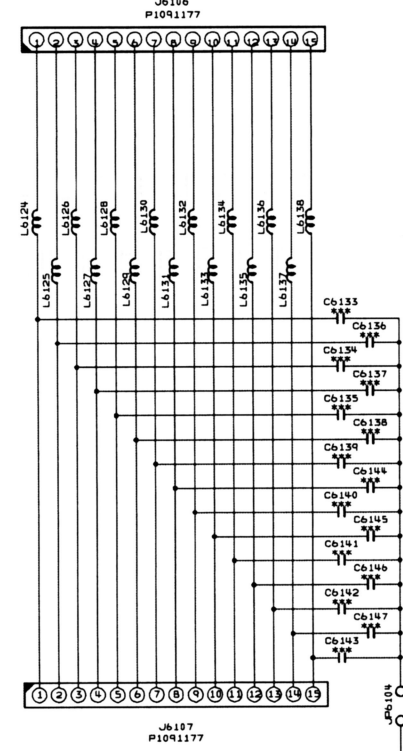
**COM 2**  
GPS  
Input



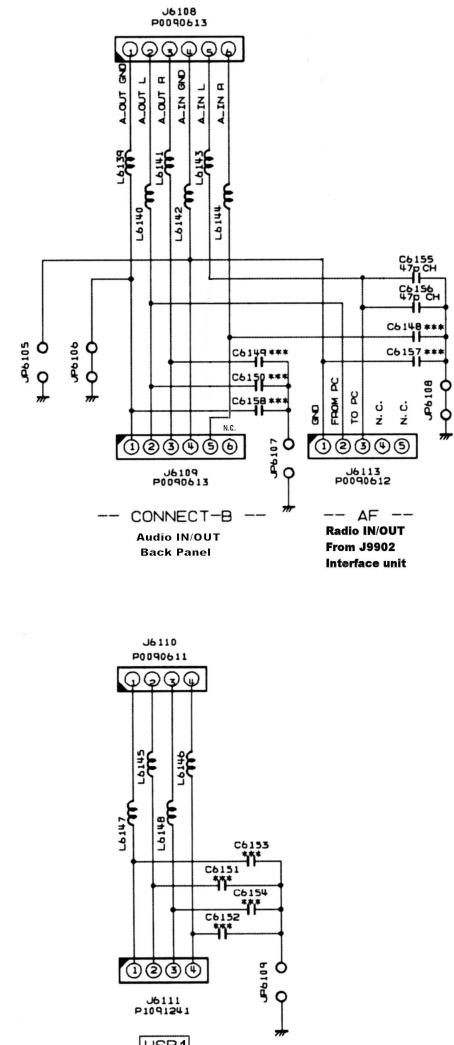
**Not Used**



**KEYBOARD**



**VGA**



**CONNECT-B**  
Audio IN/OUT  
Back Panel

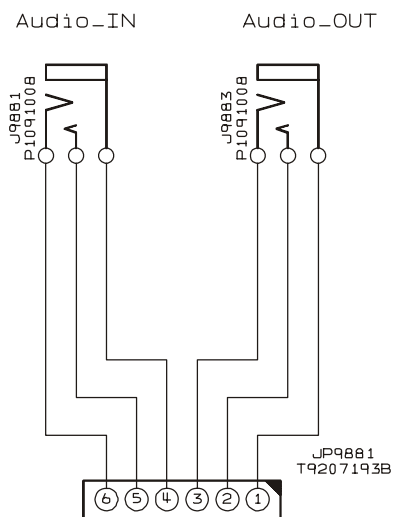
**AF**  
Radio IN/OUT  
From J9902  
Interface unit

**USB1**  
Alternate  
KB input

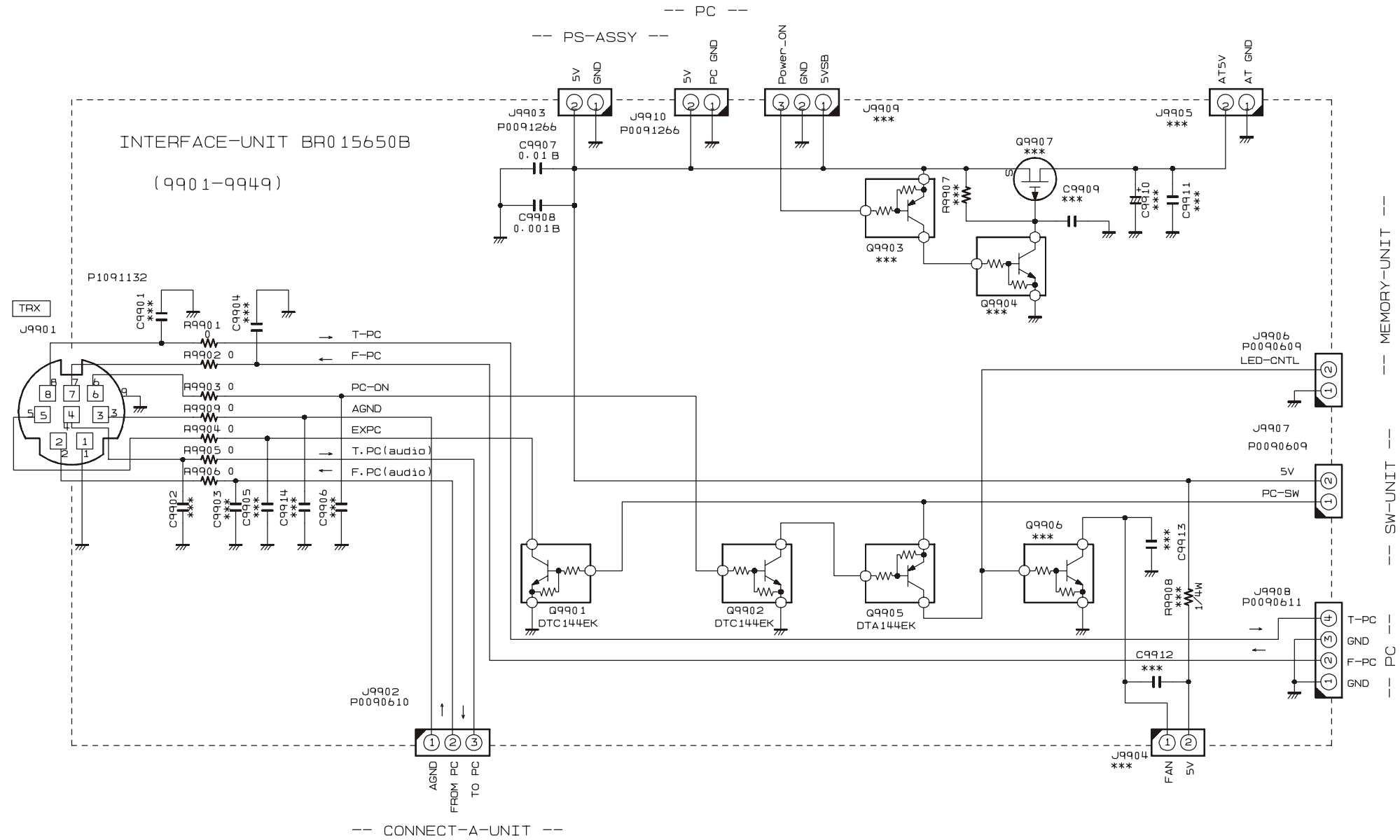
\*\*\* Components not installed

# CONNECT-B-UNIT Circuit Diagram

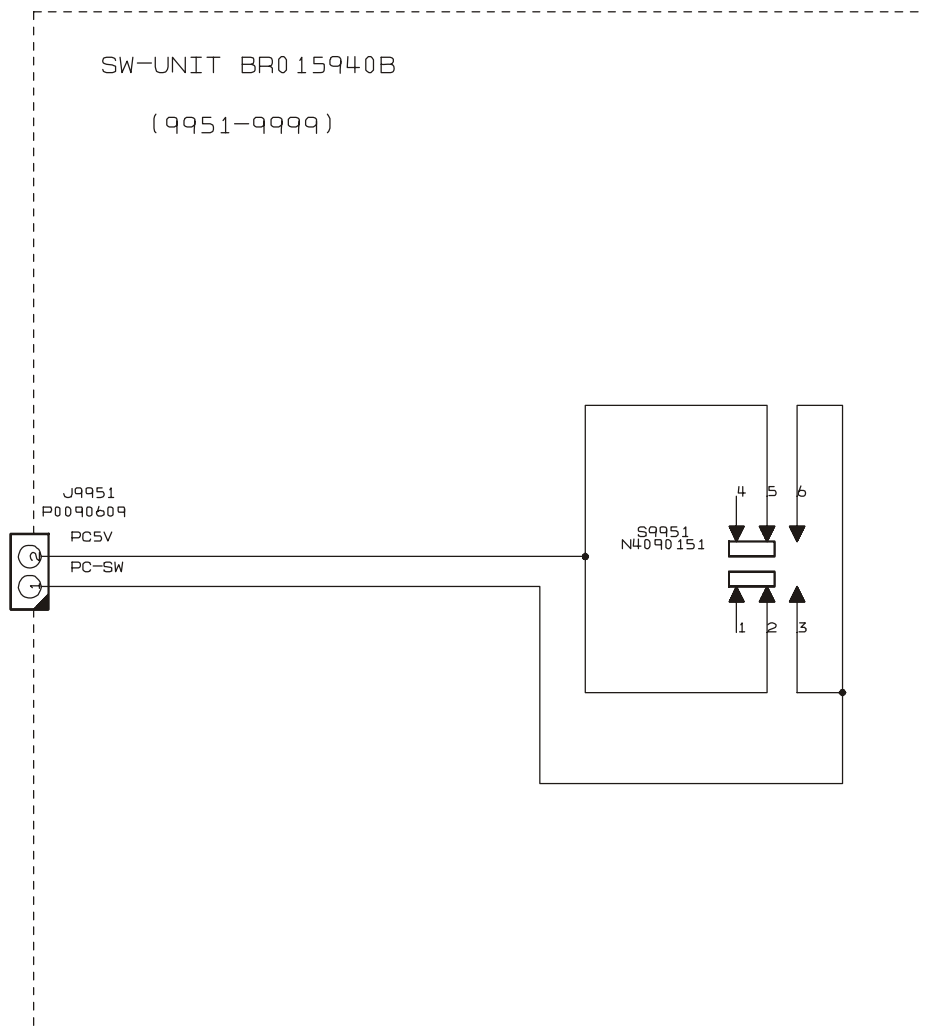
CONNECT-B-UNIT BR0 128 10B  
(9881-9899)



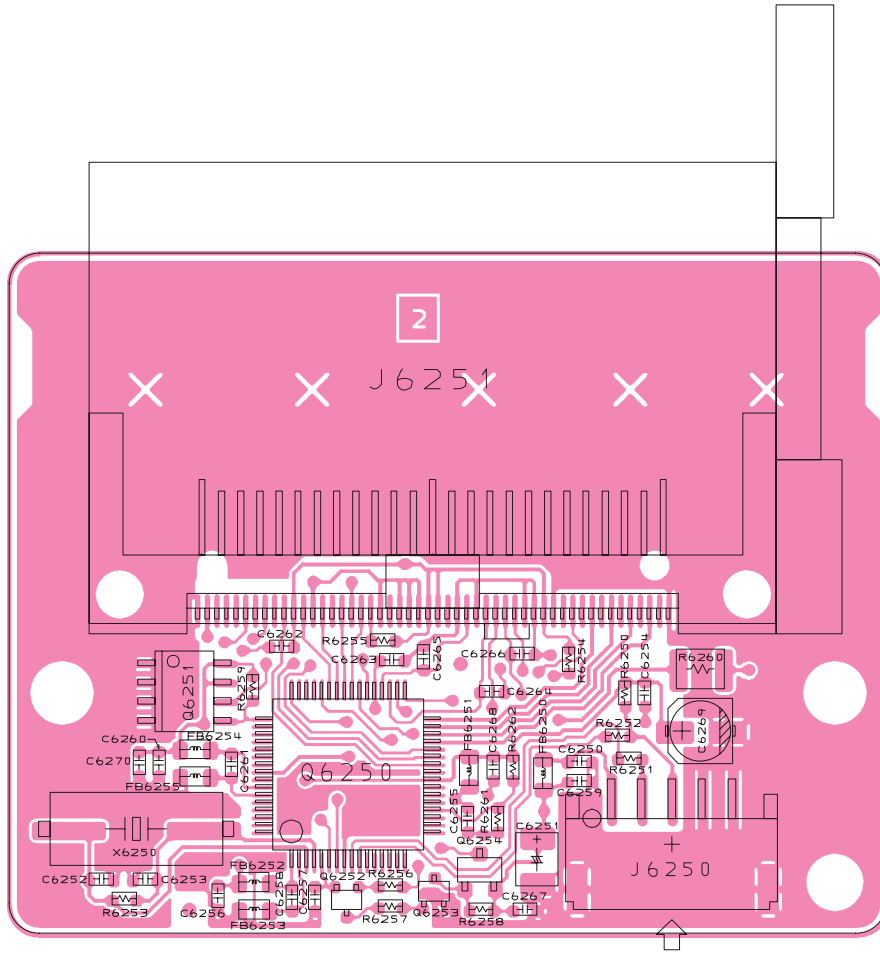
# INTERFACE-UNIT Circuit Diagram



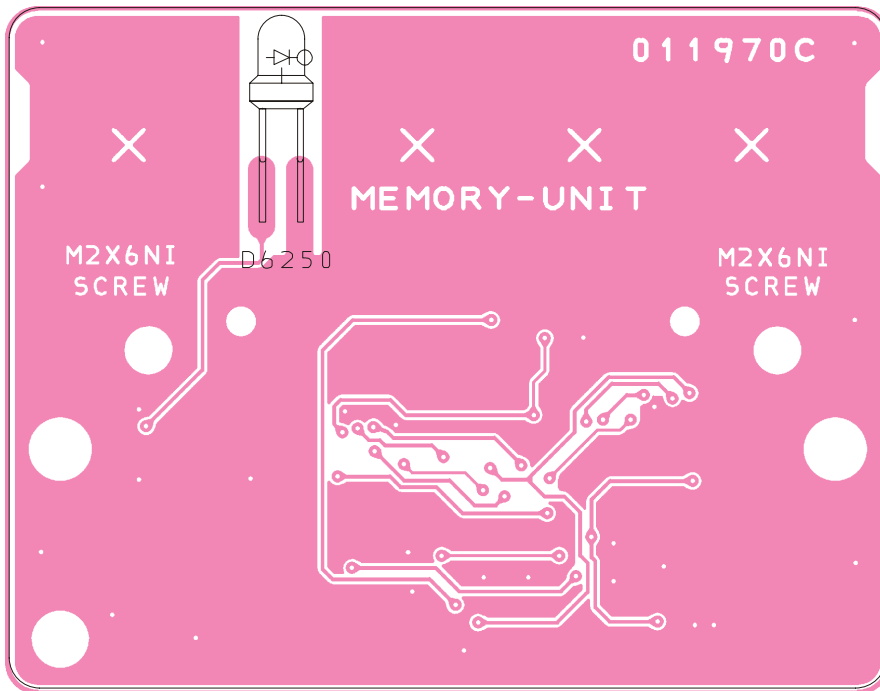
# SW-UNIT Circuit Diagram



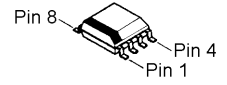
# MEMORY-UNIT Parts Layout



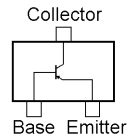
Component side



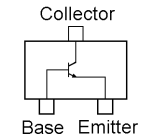
Solder side



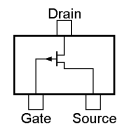
24LC02BT1  
(Q6251)



2SA1602A (MF)  
(Q6252)

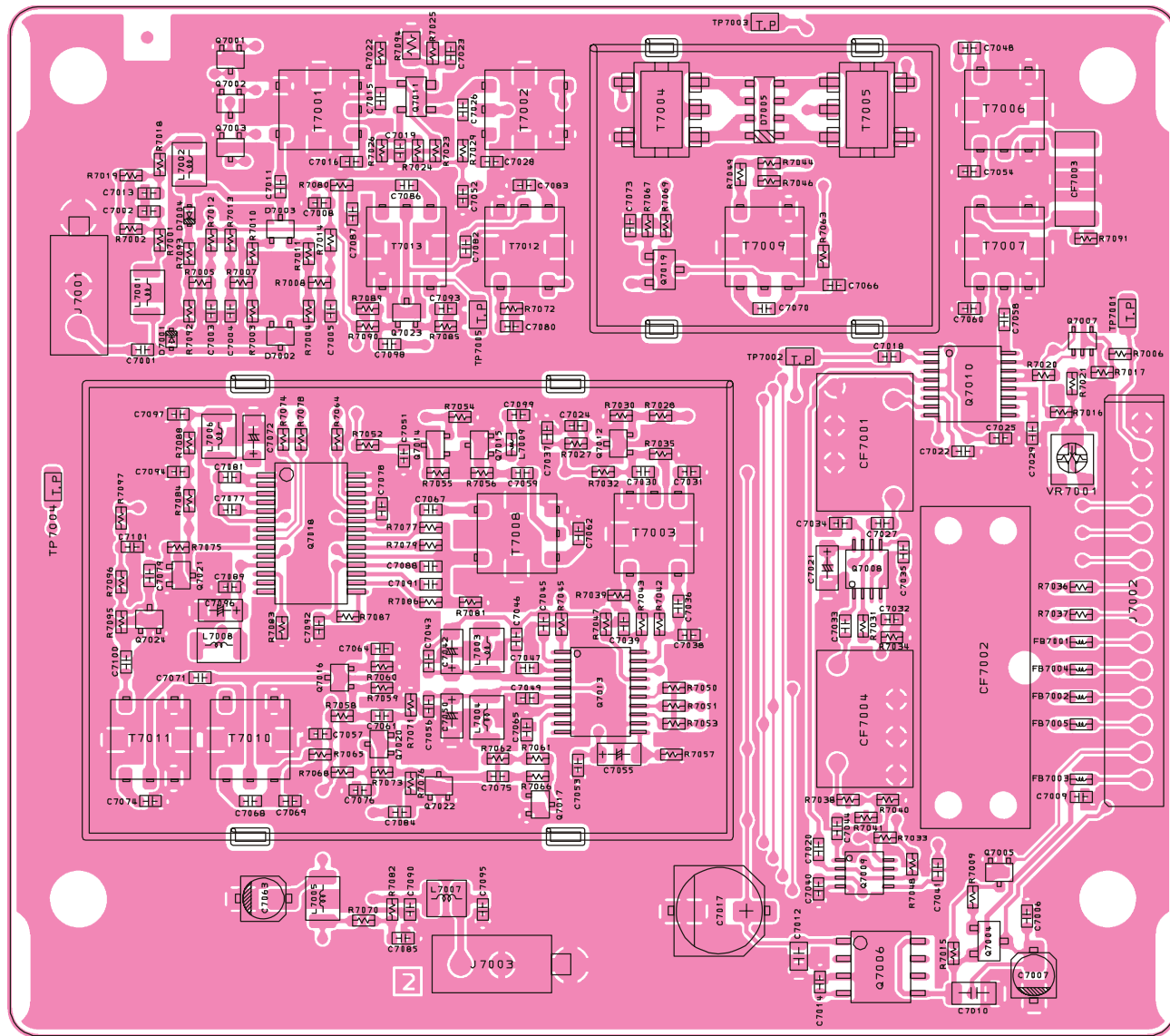


2SC4154E (E)  
(Q6253)

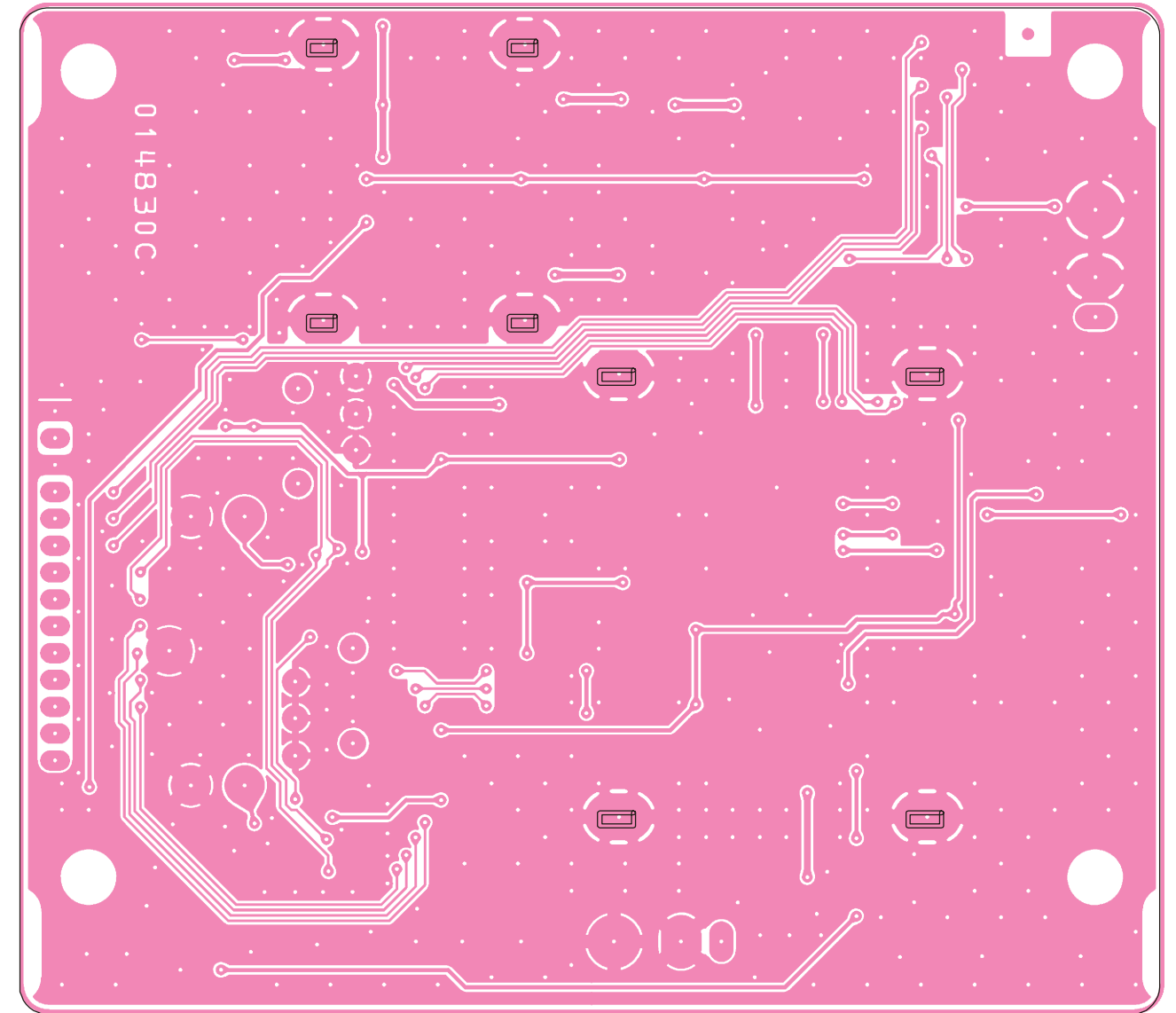


2SJ204 (H15)  
(Q6254)

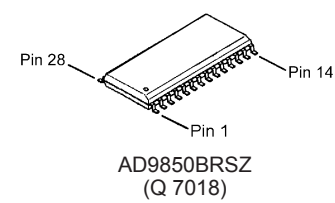
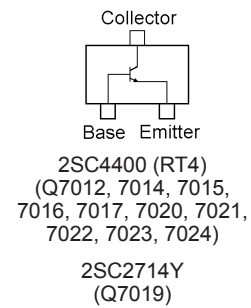
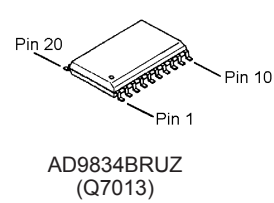
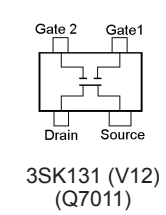
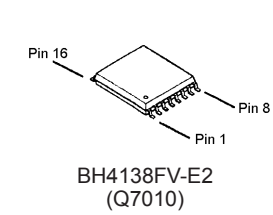
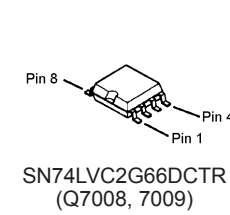
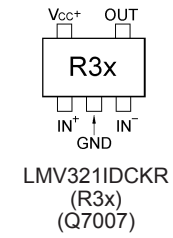
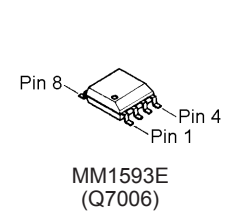
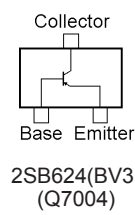
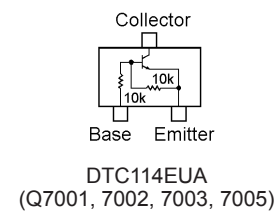
# SCOPE (SCP)-UNIT Parts Layout



side A

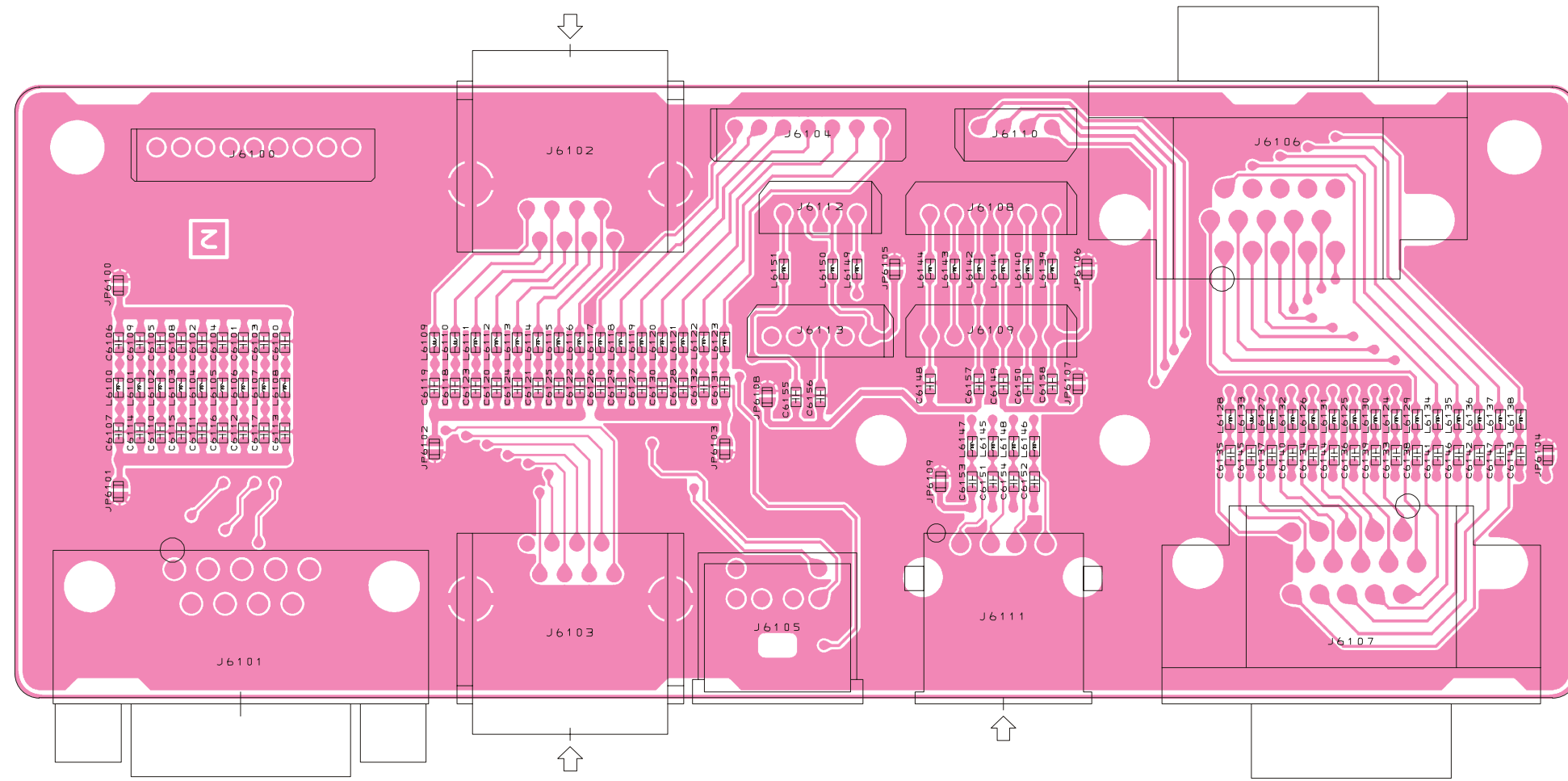


side B

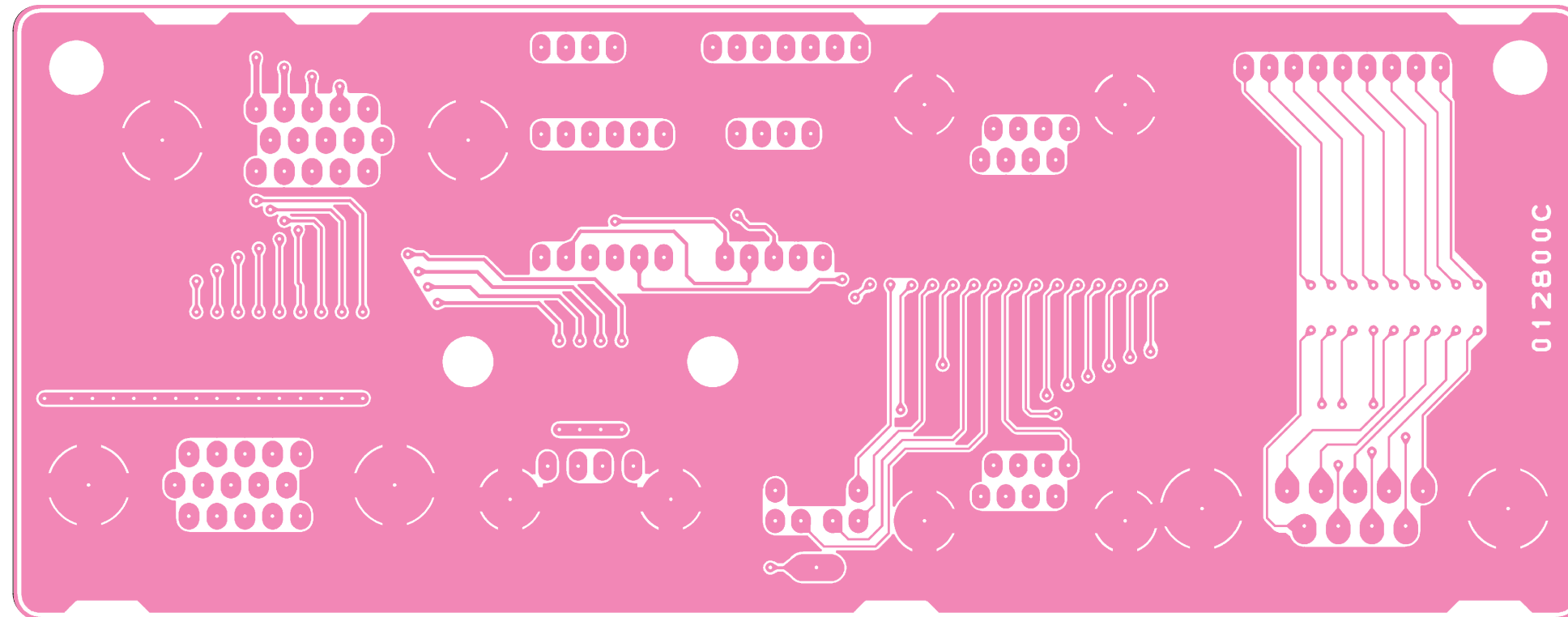




# CONNECT-A-UNIT Circuit Diagram

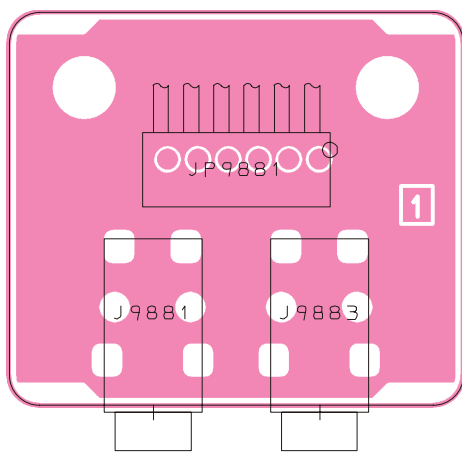


side A

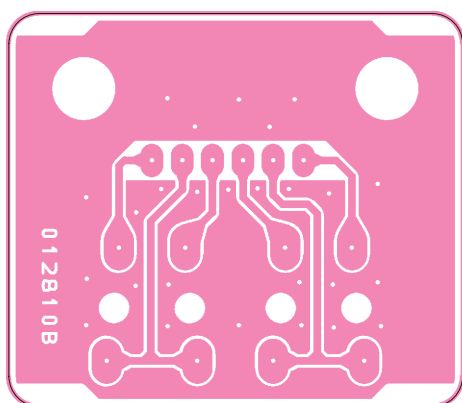


side B

# CONNECT-B-UNIT Parts Layout

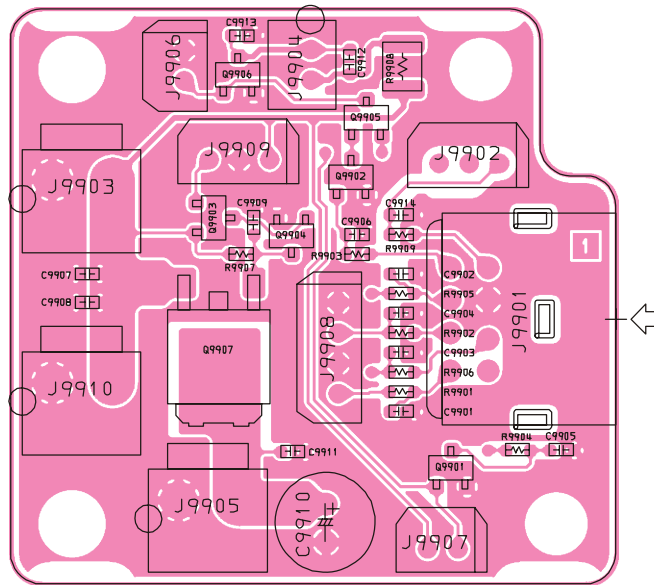


side A

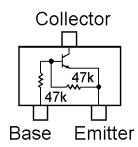


side B

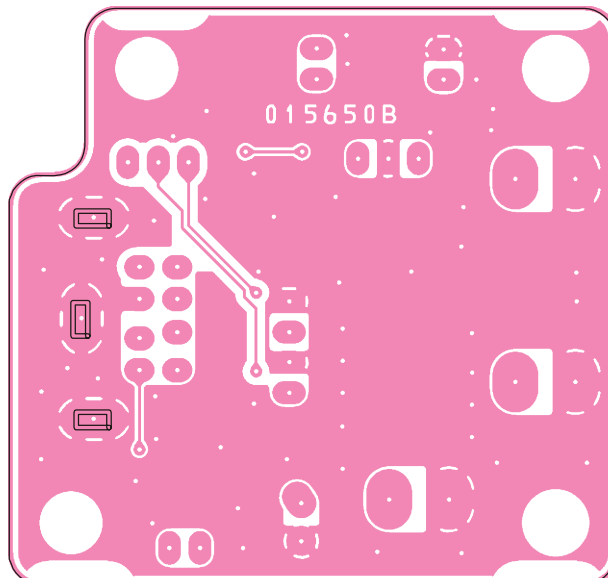
# INTERFACE-UNIT Parts Layout



Component side

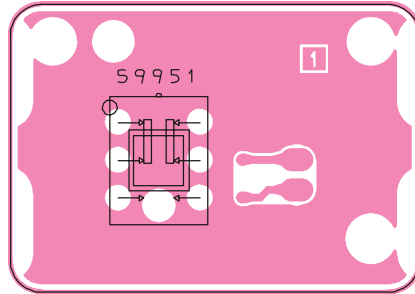


DTC144EK T146  
(Q 9901, 9902, 9905)

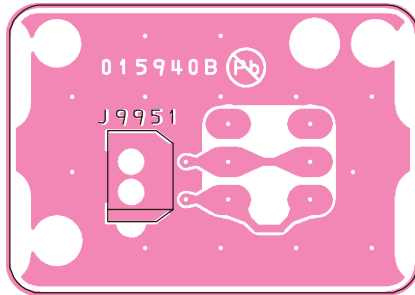


Solder side

# SW-UNIT Parts Layout



side A



side B

# Parts List (1/6)

REF	DESCRIPTION	VALUE	V/W	TOL.	MFR'S DESIG	VXSTD P/N	VERS.	LOT	SIDE	LAY ADR
*** MEMORY-UNIT ***										
	PCB with Components					CB3754001				
	Printed Circuit Board					FR0119700		1-		
C 6250	CHIP CAP.	0.1uF	16V	B	GRM188B11C104KA01D	K22124805		1-		
C 6251	CHIP TA.CAP.	10uF	16V		TEMSVB21C106M-8R	K78120025		1-		
C 6252	CHIP CAP.	18pF	50V	CH	GRM1882C1H180JA01D	K22174217		1-		
C 6253	CHIP CAP.	18pF	50V	CH	GRM1882C1H180JA01D	K22174217		1-		
C 6254	CHIP CAP.	0.1uF	16V	B	GRM188B11C104KA01D	K22124805		1-		
C 6255	CHIP CAP.	0.1uF	16V	B	GRM188B11C104KA01D	K22124805		1-		
C 6256	CHIP CAP.	0.1uF	16V	B	GRM188B11C104KA01D	K22124805		1-		
C 6257	CHIP CAP.	0.1uF	16V	B	GRM188B11C104KA01D	K22124805		1-		
C 6258	CHIP CAP.	0.1uF	16V	B	GRM188B11C104KA01D	K22124805		1-		
C 6259	CHIP CAP.	0.1uF	16V	B	GRM188B11C104KA01D	K22124805		1-		
C 6260	CHIP CAP.	0.1uF	16V	B	GRM188B11C104KA01D	K22124805		1-		
C 6261	CHIP CAP.	0.1uF	16V	B	GRM188B11C104KA01D	K22124805		1-		
C 6262	CHIP CAP.	0.1uF	16V	B	GRM188B11C104KA01D	K22124805		1-		
C 6263	CHIP CAP.	47pF	50V	CH	GRM1882C1H470JA01D	K22174227		1-		
C 6264	CHIP CAP.	47pF	50V	CH	GRM1882C1H470JA01D	K22174227		1-		
C 6265	CHIP CAP.	47pF	50V	CH	GRM1882C1H470JA01D	K22174227		1-		
C 6266	CHIP CAP.	47pF	50V	CH	GRM1882C1H470JA01D	K22174227		1-		
C 6267	CHIP CAP.	0.01uF	50V	B	GRM188B11H103KA01D	K22174823		1-		
C 6268	CHIP CAP.	0.01uF	50V	B	GRM188B11H103KA01D	K22174823		1-		
C 6269	AL.ELECTRO.CAP.	1uF	50V		ECEV1HA010SR	K48170019		1-		
C 6270	CHIP CAP.	0.1uF	16V	B	GRM188B11C104KA01D	K22124805		1-		
D 6250	LED				FR3863X	G2090766		1-		
FB6250	FERRITE BEADS				BLM21AJ601SN1D	L9190109		1-		
FB6251	FERRITE BEADS				BLM21AJ601SN1D	L9190109		1-		
FB6252	FERRITE BEADS				BLM21AJ601SN1D	L9190109		1-		
FB6253	FERRITE BEADS				BLM21AJ601SN1D	L9190109		1-		
FB6254	FERRITE BEADS				BLM21AJ601SN1D	L9190109		1-		
FB6255	FERRITE BEADS				BLM21AJ601SN1D	L9190109		1-		
J 6250	CONNECTOR				S6B-PH-SM3-TB	P0091353		1-		
J 6251	CONNECTOR				SCFB1A0700	P0091393		1-		
Q 6250	IC				AU9362	G1094050		1-		
Q 6251	IC				24LC02BTI/SN(Å°É&Y,þ)	G1092237		1-		
Q 6252	TRANSISTOR				2SA1602A-T11-1F	G3116028F		1-		
Q 6253	TRANSISTOR				2SC4154-T11-1E	G3341548E		1-		
Q 6254	FET				2SJ204-T1B	G3702048		1-		
Q 6255	TRANSISTOR				DTC123JE TL	G3070323		1-		
R 6250	CHIP RES.	1.5k	1/16W	5%	RMC1/16 152JATP	J24185152		1-		
R 6251	CHIP RES.	39	1/16W	5%	RMC1/16 390JATP	J24185390		1-		
R 6252	CHIP RES.	39	1/16W	5%	RMC1/16 390JATP	J24185390		1-		
R 6253	CHIP RES.	1M	1/16W	5%	RMC1/16 105JATP	J24185105		1-		
R 6254	CHIP RES.	100k	1/16W	5%	RMC1/16 104JATP	J24185104		1-		
R 6255	CHIP RES.	10k	1/16W	5%	RMC1/16 103JATP	J24185103		1-		
R 6256	CHIP RES.	100k	1/16W	5%	RMC1/16 104JATP	J24185104		1-		
R 6257	CHIP RES.	100k	1/16W	5%	RMC1/16 104JATP	J24185104		1-		
R 6258	CHIP RES.	100k	1/16W	5%	RMC1/16 104JATP	J24185104		1-		
R 6259	CHIP RES.	10k	1/16W	5%	RMC1/16 103JATP	J24185103		1-		
R 6260	CHIP RES.	270	1/4W	5%	RMC1/4 271JATP	J24245271		1-		
R 6261	CHIP RES.	0	1/16W	5%	RMC1/16 000JATP	J24185000		1-		
X 6250	XTAL SX-1302	12MHz			(HDA2810) 12MHZ	H0103299		1-		
	LED SPACER				LA-5-4	S6000417		1-		
	EJECTOR				SCFB2A0500	S5000250		1-		
*** SCP-UNIT ***										
	PCB with Components					CS1898001				
	Printed Circuit Board					FR0148300		1-		
C 7001	CHIP CAP.	0.01uF	50V	B	GRM188B11H103KA01D	K22174823		1-		
C 7002	CHIP CAP.	0.01uF	50V	B	GRM188B11H103KA01D	K22174823		1-		
C 7003	CHIP CAP.	0.01uF	50V	B	GRM188B11H103KA01D	K22174823		1-		
C 7004	CHIP CAP.	0.01uF	50V	B	GRM188B11H103KA01D	K22174823		1-		
C 7005	CHIP CAP.	0.01uF	50V	B	GRM188B11H103KA01D	K22174823		1-		
C 7006	CHIP CAP.	0.01uF	50V	B	GRM188B11H103KA01D	K22174823		1-		
C 7007	AL.ELECTRO.CAP.	10uF	16V		RV2-16V100MB55U-R	K48120014		1-		
C 7008	CHIP CAP.	0.01uF	50V	B	GRM188B11H103KA01D	K22174823		1-		
C 7009	CHIP CAP.	0.01uF	50V	B	GRM188B11H103KA01D	K22174823		1-		
C 7010	CHIP CAP.	1uF	16V	B	GRM42-6B105K16NPT	K22121803		1-		
C 7011	CHIP CAP.	0.01uF	50V	B	GRM188B11H103KA01D	K22174823		1-		
C 7012	CHIP CAP.	1uF	10V	B	GRM40B105K10PT	K22100802		1-		
C 7013	CHIP CAP.	0.01uF	50V	B	GRM188B11H103KA01D	K22174823		1-		
C 7014	CHIP CAP.	470pF	50V	CH	GRM1882C1H471JA01D	K22174249		1-		
C 7015	CHIP CAP.	10pF	50V	CH	GRM1882C1H100JA01D	K22174211		1-		

# Parts List (2/6)

REF	DESCRIPTION	VALUE	V/W	TOL.	MFR'S DESIG	VXSTD P/N	VERS.	LOT	SIDE	LAY ADR
C 7016	CHIP CAP.	15pF	50V	CH	GRM1882C1H150JA01D	K22174215		1-		
C 7017	AL.ELECTRO.CAP.	100uF	10V		RVZ-10V101MF55U-R2	K48100008		1-		
C 7018	CHIP CAP.	0.001uF	50V	B	GRM188B11H102KA01D	K22174821		1-		
C 7019	CHIP CAP.	0.01uF	50V	B	GRM188B11H103KA01D	K22174823		1-		
C 7020	CHIP CAP.	0.01uF	50V	B	GRM188B11H103KA01D	K22174823		1-		
C 7021	CHIP TA.CAP.	10uF	10V		TEMSVA1A106M-8R	K78100028		1-		
C 7022	CHIP CAP.	0.1uF	16V	B	GRM188B11C104KA01D	K22124805		1-		
C 7023	CHIP CAP.	0.01uF	50V	B	GRM188B11H103KA01D	K22174823		1-		
C 7024	CHIP CAP.	0.01uF	50V	B	GRM188B11H103KA01D	K22174823		1-		
C 7025	CHIP CAP.	0.1uF	16V	B	GRM188B11C104KA01D	K22124805		1-		
C 7026	CHIP CAP.	15pF	50V	CH	GRM1882C1H150JA01D	K22174215		1-		
C 7027	CHIP CAP.	0.01uF	50V	B	GRM188B11H103KA01D	K22174823		1-		
C 7028	CHIP CAP.	0.01uF	50V	B	GRM188B11H103KA01D	K22174823		1-		
C 7029	CHIP CAP.	0.001uF	50V	B	GRM188B11H102KA01D	K22174821		1-		
C 7030	CHIP CAP.	10pF	50V	CH	GRM1882C1H100JA01D	K22174211		1-		
C 7031	CHIP CAP.	82pF	50V	CH	GRM1882C1H820JA01D	K22174233		1-		
C 7032	CHIP CAP.	0.1uF	16V	B	GRM188B11C104KA01D	K22124805		1-		
C 7033	CHIP CAP.	0.01uF	50V	B	GRM188B11H103KA01D	K22174823		1-		
C 7034	CHIP CAP.	0.1uF	16V	B	GRM188B11C104KA01D	K22124805		1-		
C 7035	CHIP CAP.	0.01uF	50V	B	GRM188B11H103KA01D	K22174823		1-		
C 7036	CHIP CAP.	0.001uF	50V	B	GRM188B11H102KA01D	K22174821		1-		
C 7037	CHIP CAP.	0.01uF	50V	B	GRM188B11H103KA01D	K22174823		1-		
C 7038	CHIP CAP.	22pF	50V	CH	GRM1882C1H220JA01D	K22174219		1-		
C 7039	CHIP CAP.	22pF	50V	CH	GRM1882C1H220JA01D	K22174219		1-		
C 7040	CHIP CAP.	0.1uF	16V	B	GRM188B11C104KA01D	K22124805		1-		
C 7041	CHIP CAP.	0.01uF	50V	B	GRM188B11H103KA01D	K22174823		1-		
C 7042	CHIP TA.CAP.	10uF	10V		TEMSVA1A106M-8R	K78100028		1-		
C 7043	CHIP CAP.	0.1uF	16V	B	GRM188B11C104KA01D	K22124805		1-		
C 7044	CHIP CAP.	0.01uF	50V	B	GRM188B11H103KA01D	K22174823		1-		
C 7045	CHIP CAP.	0.1uF	16V	B	GRM188B11C104KA01D	K22124805		1-		
C 7046	CHIP CAP.	0.01uF	50V	B	GRM188B11H103KA01D	K22174823		1-		
C 7047	CHIP CAP.	0.01uF	50V	B	GRM188B11H103KA01D	K22174823		1-		
C 7048	CHIP CAP.	100pF	50V	CH	GRM1882C1H101JA01D	K22174235		1-		
C 7049	CHIP CAP.	0.1uF	16V	B	GRM188B11C104KA01D	K22124805		1-		
C 7050	CHIP TA.CAP.	10uF	10V		TEMSVA1A106M-8R	K78100028		1-		
C 7051	CHIP CAP.	0.01uF	50V	B	GRM188B11H103KA01D	K22174823		1-		
C 7052	CHIP CAP.	0.01uF	50V	B	GRM188B11H103KA01D	K22174823		1-		
C 7053	CHIP CAP.	0.01uF	50V	B	GRM188B11H103KA01D	K22174823		1-		
C 7054	CHIP CAP.	91pF	50V	CH	GRM1882C1H910JZ01D	K22174234		1-		
C 7055	CHIP TA.CAP.	1uF	35V		TEMSVA1V105M-8R	K78160032		1-		
C 7056	CHIP CAP.	0.1uF	16V	B	GRM188B11C104KA01D	K22124805		1-		
C 7057	CHIP CAP.	0.01uF	50V	B	GRM188B11H103KA01D	K22174823		1-		
C 7058	CHIP CAP.	0.001uF	50V	B	GRM188B11H102KA01D	K22174821		1-		
C 7059	CHIP CAP.	10pF	50V	CH	GRM1882C1H100JA01D	K22174211		1-		
C 7060	CHIP CAP.	75pF	50V	CH	GRM1882C1H750JZ01D	K22174232		1-		
C 7061	CHIP CAP.	0.001uF	50V	B	GRM188B11H102KA01D	K22174821		1-		
C 7062	CHIP CAP.	27pF	50V	CH	GRM1882C1H270JA01D	K22174221		1-		
C 7063	AL.ELECTRO.CAP.	10uF	16V		RVZ-16V100MB55U-R	K48120014		1-		
C 7064	CHIP CAP.	0.01uF	50V	B	GRM188B11H103KA01D	K22174823		1-		
C 7065	CHIP CAP.	0.01uF	50V	B	GRM188B11H103KA01D	K22174823		1-		
C 7066	CHIP CAP.	0.01uF	50V	B	GRM188B11H103KA01D	K22174823		1-		
C 7067	CHIP CAP.	0.001uF	50V	B	GRM188B11H102KA01D	K22174821		1-		
C 7068	CHIP CAP.	22pF	50V	CH	GRM1882C1H220JA01D	K22174219		1-		
C 7069	CHIP CAP.	0.01uF	50V	B	GRM188B11H103KA01D	K22174823		1-		
C 7070	CHIP CAP.	22pF	50V	CH	GRM1882C1H220JA01D	K22174219		1-		
C 7071	CHIP CAP.	3pF	50V	CJ	GRM1883C1H3R0CZ01D	K22174204		1-		
C 7072	CHIP TA.CAP.	10uF	10V		TEMSVA1A106M-8R	K78100028		1-		
C 7073	CHIP CAP.	0.01uF	50V	B	GRM188B11H103KA01D	K22174823		1-		
C 7074	CHIP CAP.	22pF	50V	CH	GRM1882C1H220JA01D	K22174219		1-		
C 7075	CHIP CAP.	22pF	50V	CH	GRM1882C1H220JA01D	K22174219		1-		
C 7076	CHIP CAP.	0.01uF	50V	B	GRM188B11H103KA01D	K22174823		1-		
C 7077	CHIP CAP.	0.1uF	16V	B	GRM188B11C104KA01D	K22124805		1-		
C 7079	CHIP CAP.	22pF	50V	CH	GRM1882C1H220JA01D	K22174219		1-		
C 7080	CHIP CAP.	0.01uF	50V	B	GRM188B11H103KA01D	K22174823		1-		
C 7081	CHIP CAP.	0.01uF	50V	B	GRM188B11H103KA01D	K22174823		1-		
C 7082	CHIP CAP.	1pF	50V	CK	GRM1884C1H1R0CZ01D	K22174202		1-		
C 7083	CHIP CAP.	22pF	50V	CH	GRM1882C1H220JA01D	K22174219		1-		
C 7084	CHIP CAP.	0.001uF	50V	B	GRM188B11H102KA01D	K22174821		1-		
C 7085	CHIP CAP.	0.01uF	50V	B	GRM188B11H103KA01D	K22174823		1-		
C 7086	CHIP CAP.	22pF	50V	CH	GRM1882C1H220JA01D	K22174219		1-		
C 7087	CHIP CAP.	0.01uF	50V	B	GRM188B11H103KA01D	K22174823		1-		
C 7088	CHIP CAP.	0.1uF	16V	B	GRM188B11C104KA01D	K22124805		1-		



# Parts List (3/6)

REF	DESCRIPTION	VALUE	V/W	TOL.	MFR'S DESIG	VXSTD P/N	VERS.	LOT	SIDE	LAY ADR
C 7089	CHIP CAP.	0.01uF	50V	B	GRM188B11H103KA01D	K22174823		1-		
C 7090	CHIP CAP.	120pF	50V	CH	GRM1882C1H121JA01D	K22174237		1-		
C 7093	CHIP CAP.	0.01uF	50V	B	GRM188B11H103KA01D	K22174823		1-		
C 7094	CHIP CAP.	0.01uF	50V	B	GRM188B11H103KA01D	K22174823		1-		
C 7095	CHIP CAP.	120pF	50V	CH	GRM1882C1H121JA01D	K22174237		1-		
C 7096	CHIP TA.CAP.	10uF	10V		TEMSVA1A106M-8R	K78100028		1-		
C 7097	CHIP CAP.	0.01uF	50V	B	GRM188B11H103KA01D	K22174823		1-		
C 7098	CHIP CAP.	10pF	50V	CH	GRM1882C1H100JA01D	K22174211		1-		
C 7099	CHIP CAP.	33pF	50V	CH	GRM1882C1H330JA01D	K22174223		1-		
C 7100	CHIP CAP.	10pF	50V	CH	GRM1882C1H100JA01D	K22174211		1-		
C 7101	CHIP CAP.	0.01uF	50V	B	GRM188B11H103KA01D	K22174823		1-		
CF7001	CERAMIC FILTER				ALFYM455H=K	H3900542		1-		
CF7002	CERAMIC FILTER				CFJ455K8	H3900553		1-		
CF7003	CERAMIC FILTER				SFECV10M7FA00-R0-TC	H3900537		1-		
CF7004	CERAMIC FILTER				ALFYM455H=K	H3900542		1-		
D 7001	DIODE				HSC277TRF-E	G2070584		1-		
D 7002	DIODE				DAP236U T106	G2070592		1-		
D 7003	DIODE				DAP236U T106	G2070592		1-		
D 7004	DIODE				HSC277TRF-E	G2070584		1-		
D 7005	DIODE				HSB88WSTR	G2070290		1-		
FB7001	CHIP COI				BLM18BD182SN1D	L1690602		1-		
FB7002	CHIP COI				BLM18BD182SN1D	L1690602		1-		
FB7003	CHIP COI				BLM18BD182SN1D	L1690602		1-		
FB7004	CHIP COI				BLM18BD182SN1D	L1690602		1-		
FB7005	CHIP COI				BLM18BD182SN1D	L1690602		1-		
J 7001	CONNECTOR				TMP-S01X-C1	P1091254		1-		
J 7002	CONNECTOR				SB20-14WS	P0090656		1-		
J 7003	CONNECTOR				TMP-S01X-C1	P1091254		1-		
L 7001	M.RFC	3.3uH			LLM3225-3R3J	L1691127		1-		
L 7002	M.RFC	3.3uH			LLM3225-3R3J	L1691127		1-		
L 7003	M.RFC	100uH			LLM3225-101J	L1691145		1-		
L 7004	M.RFC	100uH			LLM3225-101J	L1691145		1-		
L 7005	M.RFC	100uH			LLM3225-101J	L1691145		1-		
L 7006	M.RFC	100uH			LLM3225-101J	L1691145		1-		
L 7007	CHIP COIL	0.27uH		2%	C2520C-R27G	L1691299		1-		
L 7008	M.RFC	100uH			LLM3225-101J	L1691145		1-		
L 7009	M.RFC	0.22uH			HK1608 R22J-T	L1690940		1-		
Q 7001	TRANSISTOR				DTC114EUA T106	G3070084		1-		
Q 7002	TRANSISTOR				DTC114EUA T106	G3070084		1-		
Q 7003	TRANSISTOR				DTC114EUA T106	G3070084		1-		
Q 7004	TRANSISTOR				2SB624-T2B BV3	G3206247C		1-		
Q 7005	TRANSISTOR				DTC114EUA T106	G3070084		1-		
Q 7006	IC				MM1593E	G1094300		1-		
Q 7007	IC				LMV321IDCKR	G1093969		1-		
Q 7008	IC				SN74LVC2G66DCTR	G1094049		1-		
Q 7009	IC				SN74LVC2G66DCTR	G1094049		1-		
Q 7010	IC				BH4138FV-E2	G1093713		1-		
Q 7011	FET				3SK131-T2B V12	G4801317B		1-		
Q 7012	TRANSISTOR				2SC4400-3-TL	G3344008C		1-		
Q 7013	IC				AD9834BRUZ-REEL7	G1094297		1-		
Q 7014	TRANSISTOR				2SC4400-3-TL	G3344008C		1-		
Q 7015	TRANSISTOR				2SC4400-3-TL	G3344008C		1-		
Q 7016	TRANSISTOR				2SC4400-3-TL	G3344008C		1-		
Q 7017	TRANSISTOR				2SC4400-3-TL	G3344008C		1-		
Q 7018	IC				AD9850BRSZ-REEL	G1092567		1-		
Q 7019	TRANSISTOR				2SC2714Y(TE85R.F)	G3327147Y		1-		
Q 7020	TRANSISTOR				2SC4400-3-TL	G3344008C		1-		
Q 7021	TRANSISTOR				2SC4400-3-TL	G3344008C		1-		
Q 7022	TRANSISTOR				2SC4400-3-TL	G3344008C		1-		
Q 7023	TRANSISTOR				2SC4400-3-TL	G3344008C		1-		
Q 7024	TRANSISTOR				2SC4400-3-TL	G3344008C		1-		
R 7001	CHIP RES.	1k	1/16W	5%	RMC1/16 102JATP	J24185102		1-		
R 7002	CHIP RES.	100	1/16W	5%	RMC1/16 101JATP	J24185101		1-		
R 7003	CHIP RES.	39	1/16W	5%	RMC1/16 390JATP	J24185390		1-		
R 7004	CHIP RES.	47	1/16W	5%	RMC1/16 470JATP	J24185470		1-		
R 7005	CHIP RES.	39	1/16W	5%	RMC1/16 390JATP	J24185390		1-		
R 7006	CHIP RES.	1k	1/16W	5%	RMC1/16 102JATP	J24185102		1-		
R 7007	CHIP RES.	10	1/16W	5%	RMC1/16 100JATP	J24185100		1-		
R 7008	CHIP RES.	3.3	1/16W	5%	RMC1/16 3R3JATP	J24185339		1-		
R 7009	CHIP RES.	470	1/16W	5%	RMC1/16 471JATP	J24185471		1-		
R 7010	CHIP RES.	39	1/16W	5%	RMC1/16 390JATP	J24185390		1-		
R 7011	CHIP RES.	47	1/16W	5%	RMC1/16 470JATP	J24185470		1-		

# Parts List (4/6)

REF	DESCRIPTION	VALUE	V/W	TOL.	MFR'S DESIG	VXSTD P/N	VERS.	LOT	SIDE	LAY ADR
R 7012	CHIP RES.	47k	1/16W	5%	RMC1/16 473JATP	J24185473		1-		
R 7013	CHIP RES.	47k	1/16W	5%	RMC1/16 473JATP	J24185473		1-		
R 7014	CHIP RES.	47k	1/16W	5%	RMC1/16 473JATP	J24185473		1-		
R 7015	CHIP RES.	4.7k	1/16W	5%	RMC1/16 472JATP	J24185472		1-		
R 7016	CHIP RES.	27k	1/16W	5%	RMC1/16 273JATP	J24185273		1-		
R 7017	CHIP RES.	220k	1/16W	1%	RMC1/16 224FTP	J24183224		1-		
R 7018	CHIP RES.	1k	1/16W	5%	RMC1/16 102JATP	J24185102		1-		
R 7019	CHIP RES.	100	1/16W	5%	RMC1/16 101JATP	J24185101		1-		
R 7020	CHIP RES.	1k	1/16W	5%	RMC1/16 102JATP	J24185102		1-		
R 7021	CHIP RES.	270k	1/16W	1%	RMC1/16 274FTP	J24183274		1-		
R 7022	CHIP RES.	10k	1/16W	5%	RMC1/16 103JATP	J24185103		1-		
R 7023	CHIP RES.	100k	1/16W	5%	RMC1/16 104JATP	J24185104		1-		
R 7024	CHIP RES.	10k	1/16W	5%	RMC1/16 103JATP	J24185103		1-		
R 7025	CHIP RES.	150	1/16W	5%	RMC1/16 151JATP	J24185151		1-		
R 7026	CHIP RES.	10k	1/16W	5%	RMC1/16 103JATP	J24185103		1-		
R 7027	CHIP RES.	1k	1/16W	5%	RMC1/16 102JATP	J24185102		1-		
R 7028	CHIP RES.	1k	1/16W	5%	RMC1/16 102JATP	J24185102		1-		
R 7029	CHIP RES.	100	1/16W	5%	RMC1/16 101JATP	J24185101		1-		
R 7030	CHIP RES.	1k	1/16W	5%	RMC1/16 102JATP	J24185102		1-		
R 7031	CHIP RES.	100k	1/16W	5%	RMC1/16 104JATP	J24185104		1-		
R 7032	CHIP RES.	47k	1/16W	5%	RMC1/16 473JATP	J24185473		1-		
R 7033	CHIP RES.	10k	1/16W	5%	RMC1/16 103JATP	J24185103		1-		
R 7034	CHIP RES.	10k	1/16W	5%	RMC1/16 103JATP	J24185103		1-		
R 7035	CHIP RES.	47k	1/16W	5%	RMC1/16 473JATP	J24185473		1-		
R 7036	CHIP RES.	1k	1/16W	5%	RMC1/16 102JATP	J24185102		1-		
R 7037	CHIP RES.	1k	1/16W	5%	RMC1/16 102JATP	J24185102		1-		
R 7038	CHIP RES.	220	1/16W	5%	RMC1/16 221JATP	J24185221		1-		
R 7039	CHIP RES.	0	1/16W	5%	RMC1/16 000JATP	J24185000		1-		
R 7040	CHIP RES.	8.2k	1/16W	5%	RMC1/16 822JATP	J24185822		1-		
R 7041	CHIP RES.	220	1/16W	5%	RMC1/16 221JATP	J24185221		1-		
R 7042	CHIP RES.	220	1/16W	5%	RMC1/16 221JATP	J24185221		1-		
R 7043	CHIP RES.	220	1/16W	5%	RMC1/16 221JATP	J24185221		1-		
R 7044	CHIP RES.	15	1/16W	5%	RMC1/16 150JATP	J24185150		1-		
R 7044	CHIP RES.	10	1/16W	5%	RMC1/16 100JATP	J24185100		3-		
R 7045	CHIP RES.	6.8k	1/16W	5%	RMC1/16 682JATP	J24185682		1-		
R 7046	CHIP RES.	82	1/16W	5%	RMC1/16 820JATP	J24185820		1-		
R 7046	CHIP RES.	150	1/16W	5%	RMC1/16 151JATP	J24185151		3-		
R 7047	CHIP RES.	1k	1/16W	5%	RMC1/16 102JATP	J24185102		1-		
R 7048	CHIP RES.	100k	1/16W	5%	RMC1/16 104JATP	J24185104		1-		
R 7049	CHIP RES.	15	1/16W	5%	RMC1/16 150JATP	J24185150		1-		
R 7049	CHIP RES.	10	1/16W	5%	RMC1/16 100JATP	J24185100		3-		
R 7050	CHIP RES.	470	1/16W	5%	RMC1/16 471JATP	J24185471		1-		
R 7051	CHIP RES.	470	1/16W	5%	RMC1/16 471JATP	J24185471		1-		
R 7052	CHIP RES.	100	1/16W	5%	RMC1/16 101JATP	J24185101		1-		
R 7053	CHIP RES.	470	1/16W	5%	RMC1/16 471JATP	J24185471		1-		
R 7054	CHIP RES.	1k	1/16W	5%	RMC1/16 102JATP	J24185102		1-		
R 7055	CHIP RES.	1.5k	1/16W	5%	RMC1/16 152JATP	J24185152		1-		
R 7056	CHIP RES.	100k	1/16W	5%	RMC1/16 104JATP	J24185104		1-		
R 7057	CHIP RES.	100k	1/16W	5%	RMC1/16 104JATP	J24185104		1-		
R 7058	CHIP RES.	33k	1/16W	5%	RMC1/16 333JATP	J24185333		1-		
R 7059	CHIP RES.	10k	1/16W	5%	RMC1/16 103JATP	J24185103		1-		
R 7060	CHIP RES.	470	1/16W	5%	RMC1/16 471JATP	J24185471		1-		
R 7061	CHIP RES.	470	1/16W	5%	RMC1/16 471JATP	J24185471		1-		
R 7062	CHIP RES.	100	1/16W	5%	RMC1/16 101JATP	J24185101		1-		
R 7063	CHIP RES.	10	1/16W	5%	RMC1/16 100JATP	J24185100		1-		
R 7064	CHIP RES.	470	1/16W	5%	RMC1/16 471JATP	J24185471		1-		
R 7065	CHIP RES.	100	1/16W	5%	RMC1/16 101JATP	J24185101		1-		
R 7066	CHIP RES.	33k	1/16W	5%	RMC1/16 333JATP	J24185333		1-		
R 7067	CHIP RES.	10k	1/16W	5%	RMC1/16 103JATP	J24185103		1-		
R 7068	CHIP RES.	100	1/16W	5%	RMC1/16 101JATP	J24185101		1-		
R 7069	CHIP RES.	33k	1/16W	5%	RMC1/16 333JATP	J24185333		1-		
R 7070	CHIP RES.	1k	1/16W	5%	RMC1/16 102JATP	J24185102		1-		
R 7071	CHIP RES.	1k	1/16W	5%	RMC1/16 102JATP	J24185102		1-		
R 7072	CHIP RES.	150	1/16W	5%	RMC1/16 151JATP	J24185151		1-		
R 7073	CHIP RES.	1.5k	1/16W	5%	RMC1/16 152JATP	J24185152		1-		
R 7074	CHIP RES.	470	1/16W	5%	RMC1/16 471JATP	J24185471		1-		
R 7075	CHIP RES.	33k	1/16W	5%	RMC1/16 333JATP	J24185333		1-		
R 7076	CHIP RES.	100k	1/16W	5%	RMC1/16 104JATP	J24185104		1-		
R 7077	CHIP RES.	47	1/16W	5%	RMC1/16 470JATP	J24185470		1-		
R 7078	CHIP RES.	470	1/16W	5%	RMC1/16 471JATP	J24185471		1-		
R 7079	CHIP RES.	27	1/16W	5%	RMC1/16 270JATP	J24185270		1-		
R 7080	CHIP RES.	100	1/16W	5%	RMC1/16 101JATP	J24185101		1-		

# Parts List (5/6)

REF	DESCRIPTION	VALUE	V/W	TOL.	MFR'S DESIG	VXSTD P/N	VERS.	LOT	SIDE	LAY ADR
R 7081	CHIP RES.	0	1/16W	5%	RMC1/16 000JATP	J24185000		1-		
R 7082	CHIP RES.	100	1/16W	5%	RMC1/16 101JATP	J24185101		1-		
R 7083	CHIP RES.	3.9k	1/16W	5%	RMC1/16 392JATP	J24185392		1-		
R 7084	CHIP RES.	470	1/16W	5%	RMC1/16 471JATP	J24185471		1-		
R 7085	CHIP RES.	220	1/16W	5%	RMC1/16 221JATP	J24185221		1-		
R 7086	CHIP RES.	1k	1/16W	5%	RMC1/16 102JATP	J24185102		1-		
R 7087	CHIP RES.	1k	1/16W	5%	RMC1/16 102JATP	J24185102		1-		
R 7088	CHIP RES.	100	1/16W	5%	RMC1/16 101JATP	J24185101		1-		
R 7089	CHIP RES.	10k	1/16W	5%	RMC1/16 103JATP	J24185103		1-		
R 7090	CHIP RES.	33k	1/16W	5%	RMC1/16 333JATP	J24185333		1-		
R 7091	CHIP RES.	1k	1/16W	5%	RMC1/16 102JATP	J24185102		1-		
R 7092	CHIP RES.	27	1/16W	5%	RMC1/16 270JATP	J24185270		1-		
R 7093	CHIP RES.	27	1/16W	5%	RMC1/16 270JATP	J24185270		1-		
R 7095	CHIP RES.	100k	1/16W	5%	RMC1/16 104JATP	J24185104		1-		
R 7096	CHIP RES.	1.5k	1/16W	5%	RMC1/16 152JATP	J24185152		1-		
R 7097	CHIP RES.	100	1/16W	5%	RMC1/16 101JATP	J24185101		1-		
T 7001	COIL 05RF				74.62M 010812302	L0022781		1-		
T 7002	COIL 05RF				74.62M 010812302	L0022781		1-		
T 7003	COIL 05RF				R12-S970B	L0022493		1-		
T 7004	BALUN TRANSFORMERS				#458PT-1565	L0190273		1-		
T 7005	BALUN TRANSFORMERS				#458PT-1696	L0022961		1-		
T 7006	COIL 05RF				R12-S971B	L0022494		1-		
T 7007	COIL 05RF				R12-S970B	L0022493		1-		
T 7008	COIL 05RF				R12-S972B	L0022495		1-		
T 7009	COIL 05RF				74.62M 010812302	L0022781		1-		
T 7010	COIL 05RF				100M 010812300A	L0022779		1-		
T 7011	COIL 05RF				100M 010812300A	L0022779		1-		
T 7012	COIL 05RF				74.62M 010812302	L0022781		1-		
T 7013	COIL 05RF				74.62M 010812302	L0022781		1-		
TP7001	CHECK TERMINAL				RCT00000C	Q5000103		1-		
TP7002	CHECK TERMINAL				RCT00000C	Q5000103		1-		
TP7003	CHECK TERMINAL				RCT00000C	Q5000103		1-		
TP7004	CHECK TERMINAL				RCT00000C	Q5000103		1-		
TP7005	CHECK TERMINAL				RCT00000C	Q5000103		1-		
VR7001	POT.	10k			EVN-5ESX50B14	J51811103		1-		
	SHIELD CASE				(21X25)	RA0830300		1-		
	SHIELD CASE COVER				(21X25)	RA0830400		1-		
	SHIELD CASE				(33X47)	RA0830500		1-		
	SHIELD CASE COVER				(33X47)	RA0830600		1-		
*** CONNECT-A-UNIT ***										
	PCB with Components					CB3756001	CE:OFF			
	PCB with Components					CB3756002	CE:ON			
	Printed Circuit Board					FR0128000		1-		
C 6155	CHIP CAP.	47pF	50V	CH	GRM1882C1H470JA01D	K22174227		1-		
C 6156	CHIP CAP.	47pF	50V	CH	GRM1882C1H470JA01D	K22174227		1-		
J 6100	CONNECTOR				SB20-09WS	P0090616		1-		
J 6101	CONNECTOR				XM2C-0942-232L	P0091409		1-		
J 6102	CONNECTOR				290A-88-30-335-F	P1091047		1-		
J 6103	CONNECTOR				290A-88-30-335-F	P1091047		1-		
J 6104	CONNECTOR				SB20-07WS	P0090614		1-		
J 6105	CONNECTOR				MDC-086	P1090935		1-		
J 6106	CONNECTOR				AE0195-00	P1091177		1-		
J 6107	CONNECTOR				AE0195-00	P1091177		1-		
J 6108	CONNECTOR				SB20-06WS	P0090613		1-		
J 6109	CONNECTOR				SB20-06WS	P0090613		1-		
J 6110	CONNECTOR				SB20-04WS	P0090611		1-		
J 6111	CONNECTOR				XM7A-0442	P1091241		1-		
J 6112	CONNECTOR				SB20-04WS	P0090611		1-		
J 6113	CONNECTOR				SB20-05WS	P0090612		1-		
JP6106	CHIP RES.	0	1/16W	5%	RMC1/16 000JATP	J24185000		1-		
JP6108	CHIP RES.	0	1/16W	5%	RMC1/16 000JATP	J24185000		1-		
L 6100	FERRITE BEADS				BK1608HS601-T	L9190083		1-		
L 6101	FERRITE BEADS				BK1608HS601-T	L9190083		1-		
L 6102	FERRITE BEADS				BK1608HS601-T	L9190083		1-		
L 6103	FERRITE BEADS				BK1608HS601-T	L9190083		1-		
L 6104	FERRITE BEADS				BK1608HS601-T	L9190083		1-		
L 6105	FERRITE BEADS				BK1608HS601-T	L9190083		1-		
L 6106	FERRITE BEADS				BK1608HS601-T	L9190083		1-		
L 6107	FERRITE BEADS				BK1608HS601-T	L9190083		1-		
L 6108	FERRITE BEADS				BK1608HS601-T	L9190083		1-		
L 6109	FERRITE BEADS				BK1608HS601-T	L9190083		1-		
L 6110	FERRITE BEADS				BK1608HS601-T	L9190083		1-		

# Parts List (6/6)

REF	DESCRIPTION	VALUE	V/W	TOL.	MFR'S DESIG	VXSTD P/N	VERS.	LOT	SIDE	LAY ADR
L 6111	FERRITE BEADS				BK1608HS601-T	L9190083		1-		
L 6112	FERRITE BEADS				BK1608HS601-T	L9190083		1-		
L 6113	FERRITE BEADS				BK1608HS601-T	L9190083		1-		
L 6114	FERRITE BEADS				BK1608HS601-T	L9190083		1-		
L 6115	FERRITE BEADS				BK1608HS601-T	L9190083		1-		
L 6116	FERRITE BEADS				BK1608HS601-T	L9190083		1-		
L 6117	FERRITE BEADS				BK1608HS601-T	L9190083		1-		
L 6118	FERRITE BEADS				BK1608HS601-T	L9190083		1-		
L 6119	FERRITE BEADS				BK1608HS601-T	L9190083		1-		
L 6120	FERRITE BEADS				BK1608HS601-T	L9190083		1-		
L 6121	FERRITE BEADS				BK1608HS601-T	L9190083		1-		
L 6122	FERRITE BEADS				BK1608HS601-T	L9190083		1-		
L 6123	FERRITE BEADS				BK1608HS601-T	L9190083		1-		
L 6124	CHIP RES.	0	1/16W	5%	RMC1/16 000JATP	J24185000	W/O CE LABEL	1-		
L 6125	CHIP RES.	0	1/16W	5%	RMC1/16 000JATP	J24185000	W/O CE LABEL	1-		
L 6126	CHIP RES.	0	1/16W	5%	RMC1/16 000JATP	J24185000	W/O CE LABEL	1-		
L 6127	CHIP RES.	0	1/16W	5%	RMC1/16 000JATP	J24185000	W/O CE LABEL	1-		
L 6128	CHIP RES.	0	1/16W	5%	RMC1/16 000JATP	J24185000	W/O CE LABEL	1-		
L 6129	CHIP RES.	0	1/16W	5%	RMC1/16 000JATP	J24185000	W/O CE LABEL	1-		
L 6130	CHIP RES.	0	1/16W	5%	RMC1/16 000JATP	J24185000	W/O CE LABEL	1-		
L 6131	CHIP RES.	0	1/16W	5%	RMC1/16 000JATP	J24185000	W/O CE LABEL	1-		
L 6132	CHIP RES.	0	1/16W	5%	RMC1/16 000JATP	J24185000	W/O CE LABEL	1-		
L 6133	CHIP RES.	0	1/16W	5%	RMC1/16 000JATP	J24185000	W/O CE LABEL	1-		
L 6134	CHIP RES.	0	1/16W	5%	RMC1/16 000JATP	J24185000	W/O CE LABEL	1-		
L 6135	CHIP RES.	0	1/16W	5%	RMC1/16 000JATP	J24185000	W/O CE LABEL	1-		
L 6136	CHIP RES.	0	1/16W	5%	RMC1/16 000JATP	J24185000	W/O CE LABEL	1-		
L 6137	CHIP RES.	0	1/16W	5%	RMC1/16 000JATP	J24185000	W/O CE LABEL	1-		
L 6138	CHIP RES.	0	1/16W	5%	RMC1/16 000JATP	J24185000	W/O CE LABEL	1-		
L 6139	FERRITE BEADS				BK1608HS601-T	L9190083		1-		
L 6140	FERRITE BEADS				BK1608HS601-T	L9190083		1-		
L 6141	FERRITE BEADS				BK1608HS601-T	L9190083		1-		
L 6142	FERRITE BEADS				BK1608HS601-T	L9190083		1-		
L 6143	FERRITE BEADS				BK1608HS601-T	L9190083		1-		
L 6144	FERRITE BEADS				BK1608HS601-T	L9190083		1-		
L 6145	FERRITE BEADS				BK1608HS601-T	L9190083		1-		
L 6146	FERRITE BEADS				BK1608HS601-T	L9190083		1-		
L 6147	FERRITE BEADS				BK1608HS601-T	L9190083		1-		
L 6148	FERRITE BEADS				BK1608HS601-T	L9190083		1-		
L 6149	FERRITE BEADS				BK1608HS601-T	L9190083		1-		
L 6150	FERRITE BEADS				BK1608HS601-T	L9190083		1-		
L 6151	FERRITE BEADS				BK1608HS601-T	L9190083		1-		
*** CONNECT-B-UNIT ***										
	PCB with Components					CB3757001				
	Printed Circuit Board					FR0128100		1-		
J 9881	CONNECTOR				MX345GLB	P1091008		1-		
J 9883	CONNECTOR				MX345GLB	P1091008		1-		
JP9881	WIRE ASSY				AH010H	T9207193B		1-		
*** INTERFACE-UNIT ***										
	PCB with Components					CB3758001				
	Printed Circuit Board					FR0156500		1-		
C 9907	CHIP CAP.	0.01uF	50V	B	GRM188B11H103KA01D	K22174823		1-		
J 9901	CONNECTOR				M50-08-30-434S R41-0599M	P1091132		1-		
J 9902	CONNECTOR				SB20-03WS	P0090610		1-		
J 9903	CONNECTOR				B2P-VH	P0091266		1-		
J 9906	CONNECTOR				SB20-02WS	P0090609		1-		
J 9907	CONNECTOR				SB20-02WS	P0090609		1-		
J 9908	CONNECTOR				SB20-04WS	P0090611		1-		
J 9910	CONNECTOR				B2P-VH	P0091266		1-		
Q 9901	TRANSISTOR				DTC144EK T146	G3070033		1-		
Q 9902	TRANSISTOR				DTC144EK T146	G3070033		1-		
Q 9905	TRANSISTOR				DTA144EK T146	G3070069		1-		
R 9901	CHIP RES.	0	1/16W	5%	RMC1/16 000JATP	J24185000		1-		
R 9902	CHIP RES.	0	1/16W	5%	RMC1/16 000JATP	J24185000		1-		
R 9903	CHIP RES.	0	1/16W	5%	RMC1/16 000JATP	J24185000		1-		
R 9904	CHIP RES.	0	1/16W	5%	RMC1/16 000JATP	J24185000		1-		
R 9905	CHIP RES.	0	1/16W	5%	RMC1/16 000JATP	J24185000		1-		
R 9906	CHIP RES.	0	1/16W	5%	RMC1/16 000JATP	J24185000		1-		
R 9909	CHIP RES.	0	1/16W	5%	RMC1/16 000JATP	J24185000		1-		
*** SW-UNIT ***										
	PCB with Components					CB3831001				
	Printed Circuit Board					FR0159400		1-		
J 9951	CONNECTOR				SB20-02WS	P0090609		1-		
S 9951	PUSH SWITCH				SPPH410100	N4090151		1-		