

6

5

4

3

2

1

REVISION RECORD			
LTR	ECO NO:	APPROVED:	DATE:

D

D

C

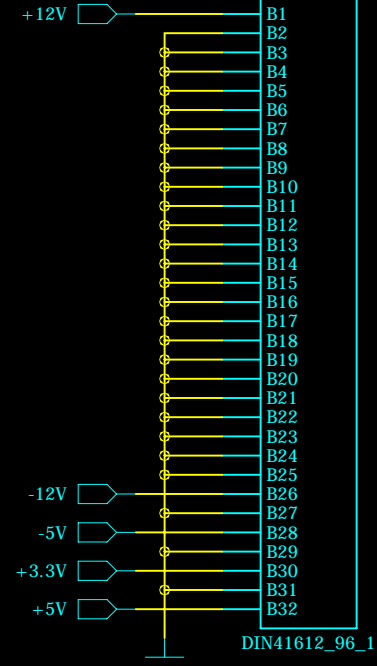
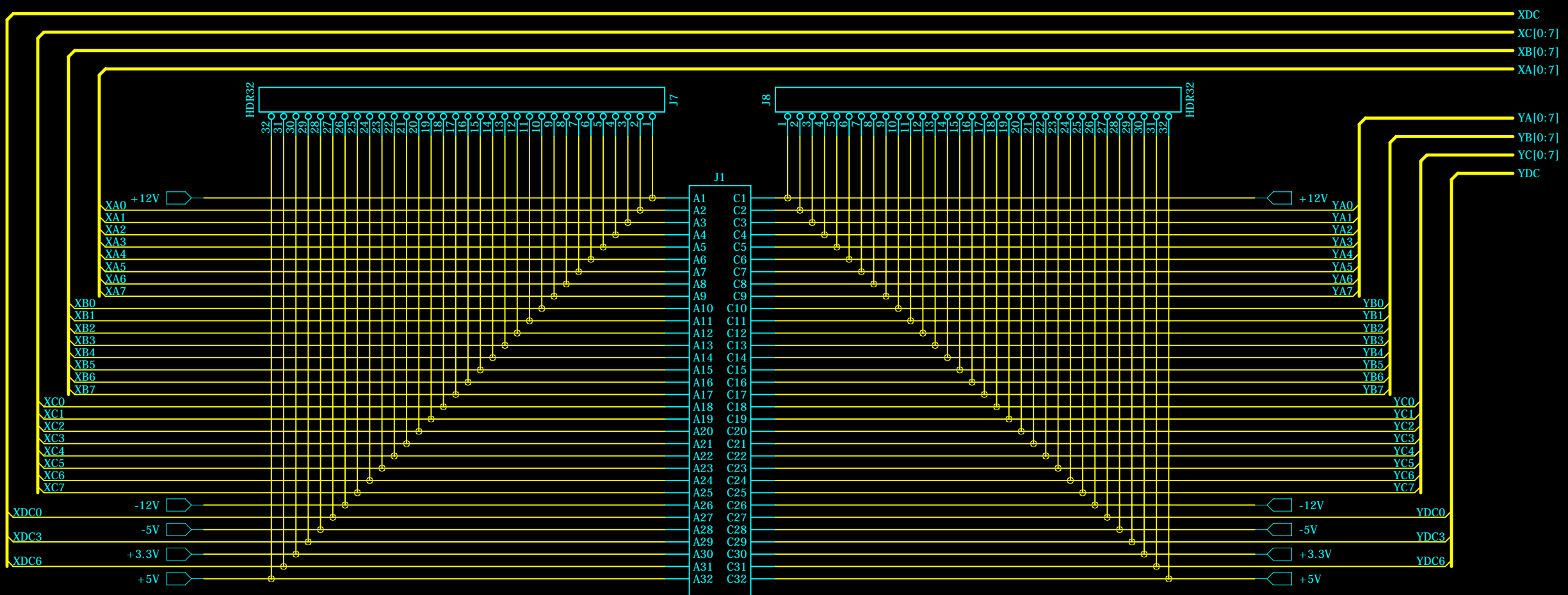
C

B

B

A

A



DIN41612_96_1

COMPANY:				OPEN HIGH PERFORMANCE SOFTWARE DEFINED RADIO PROJECT			
TITLE:				ATLAS BACKPLANE			
CODE:	SIZE:	DRAWING NO:		REV:			
N8VB_001	B	ATLAS_NR_07MAR2006		NR			
SCALE: NONE				SHEET: 1 OF 7			

DRAWN:	DATED:
PHIL N8VB	09MAR2006

6

5

4

3

2

1

REVISION RECORD			
LTR	ECO NO:	APPROVED:	DATE:

D

D

C

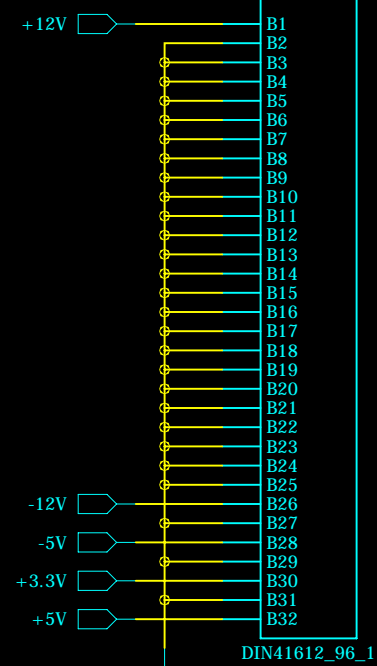
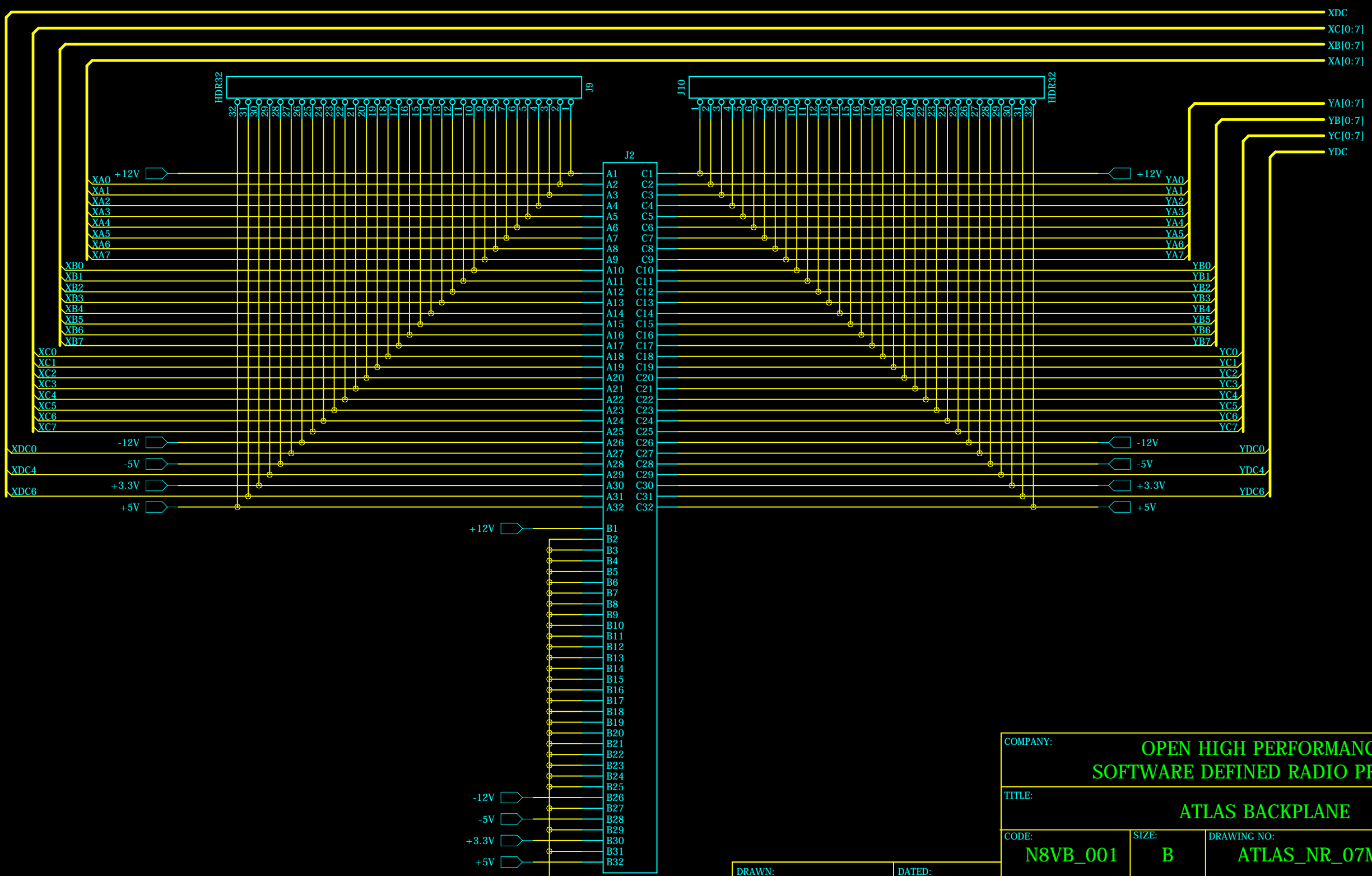
C

B

B

A

A



DIN41612_96_1

COMPANY:				OPEN HIGH PERFORMANCE SOFTWARE DEFINED RADIO PROJECT			
TITLE:				ATLAS BACKPLANE			
CODE:	SIZE:	DRAWING NO:		REV:			
N8VB_001	B	ATLAS_NR_07MAR2006		NR			
SCALE: NONE				SHEET: 2 OF 7			

DRAWN:	DATED:
PHIL N8VB	09MAR2006

6

5

4

3

2

1

REVISION RECORD			
LTR	ECO NO:	APPROVED:	DATE:

D

D

C

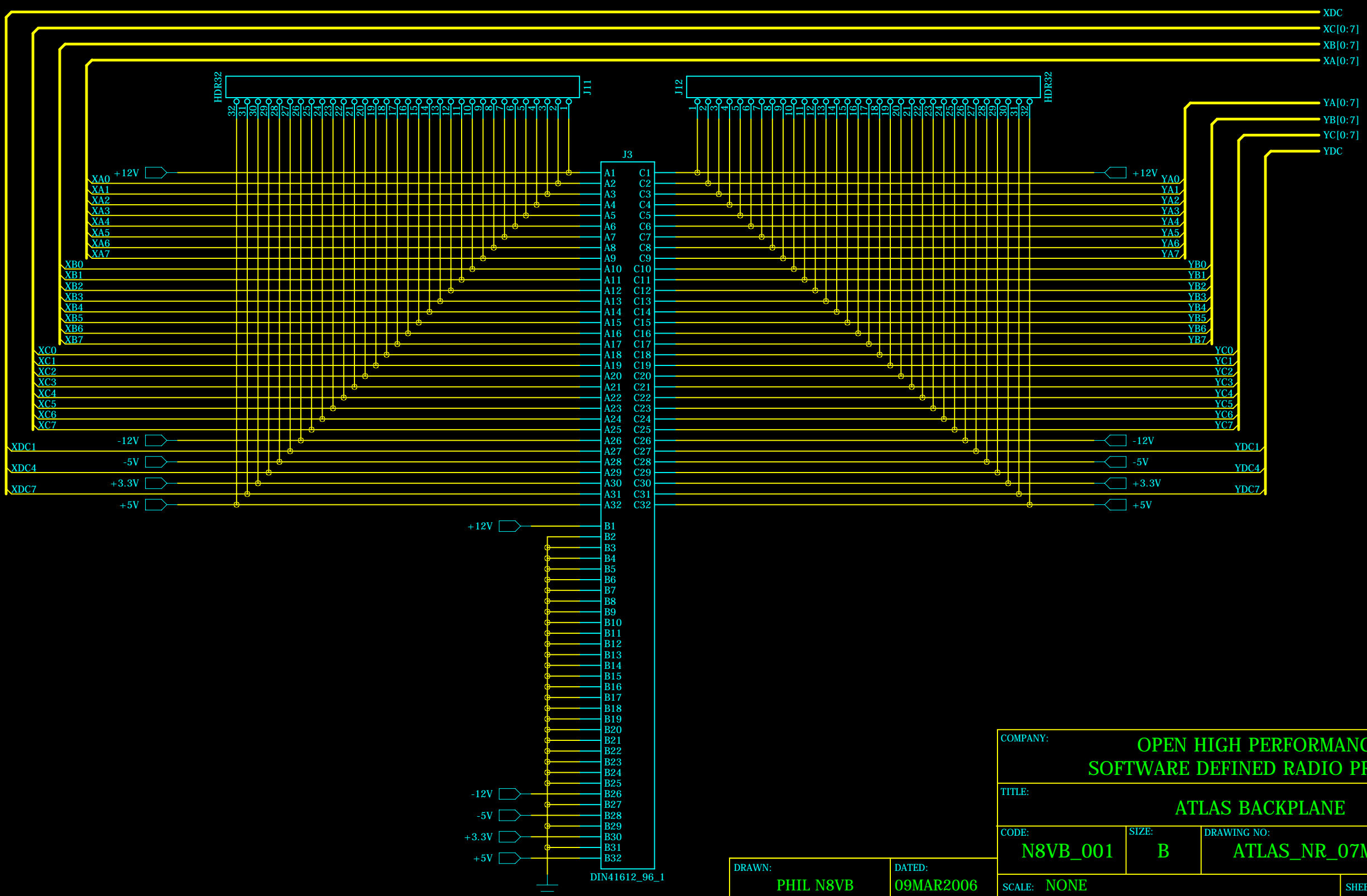
C

B

B

A

A



COMPANY:				OPEN HIGH PERFORMANCE SOFTWARE DEFINED RADIO PROJECT			
TITLE:				ATLAS BACKPLANE			
CODE:	SIZE:	DRAWING NO:		REV:			
N8VB_001	B	ATLAS_NR_07MAR2006		NR			
SCALE: NONE				SHEET: 3 OF 7			

DRAWN:	DATED:
PHIL N8VB	09MAR2006

DIN41612_96_1

6

5

4

3

2

1

REVISION RECORD			
LTR	ECO NO:	APPROVED:	DATE:

D

D

C

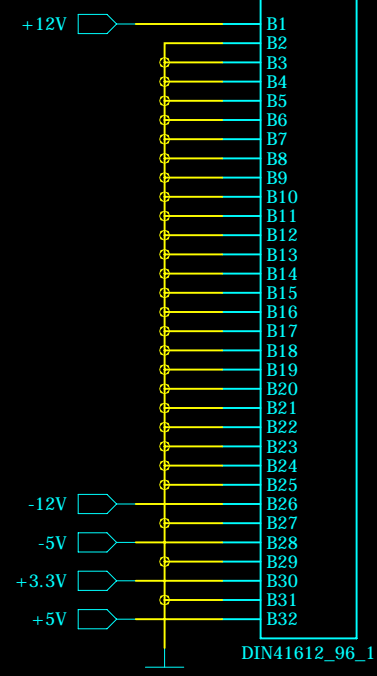
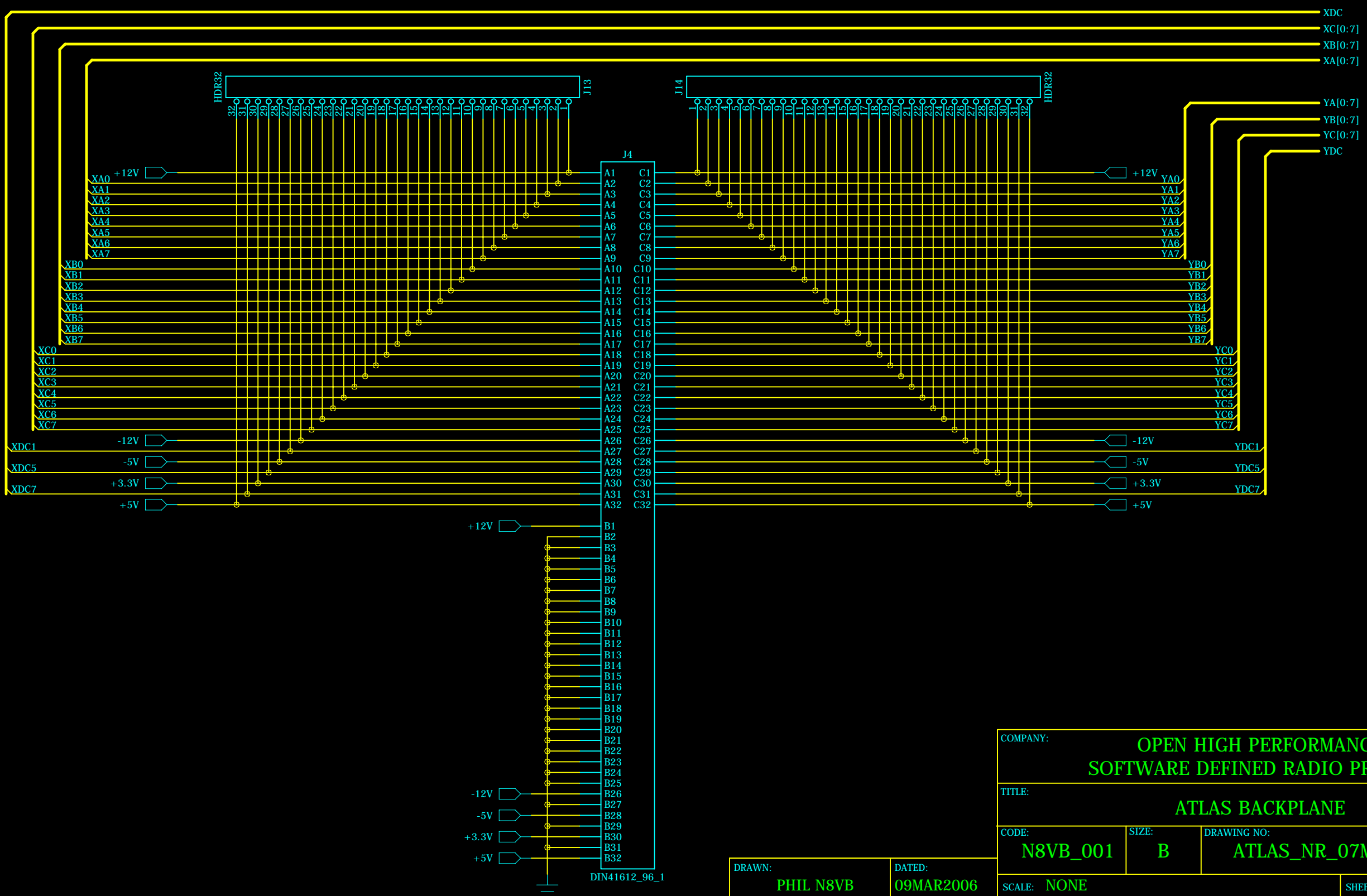
C

B

B

A

A



DIN41612_96_1

COMPANY:				OPEN HIGH PERFORMANCE SOFTWARE DEFINED RADIO PROJECT			
TITLE:				ATLAS BACKPLANE			
CODE:	SIZE:	DRAWING NO:		REV:			
N8VB_001	B	ATLAS_NR_07MAR2006		NR			
SCALE: NONE				SHEET: 4 OF 7			

DRAWN:	DATED:
PHIL N8VB	09MAR2006

6

5

4

3

2

1

REVISION RECORD			
LTR	ECO NO:	APPROVED:	DATE:

D

D

C

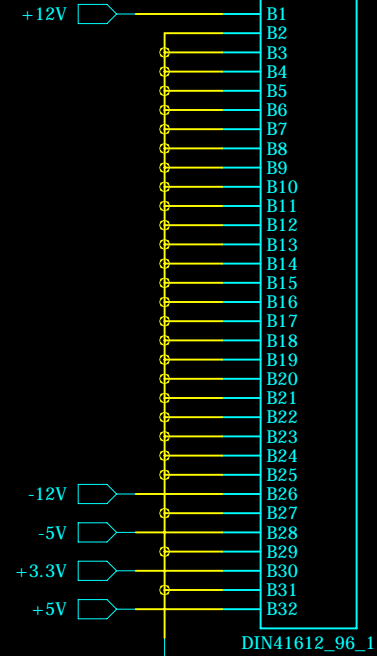
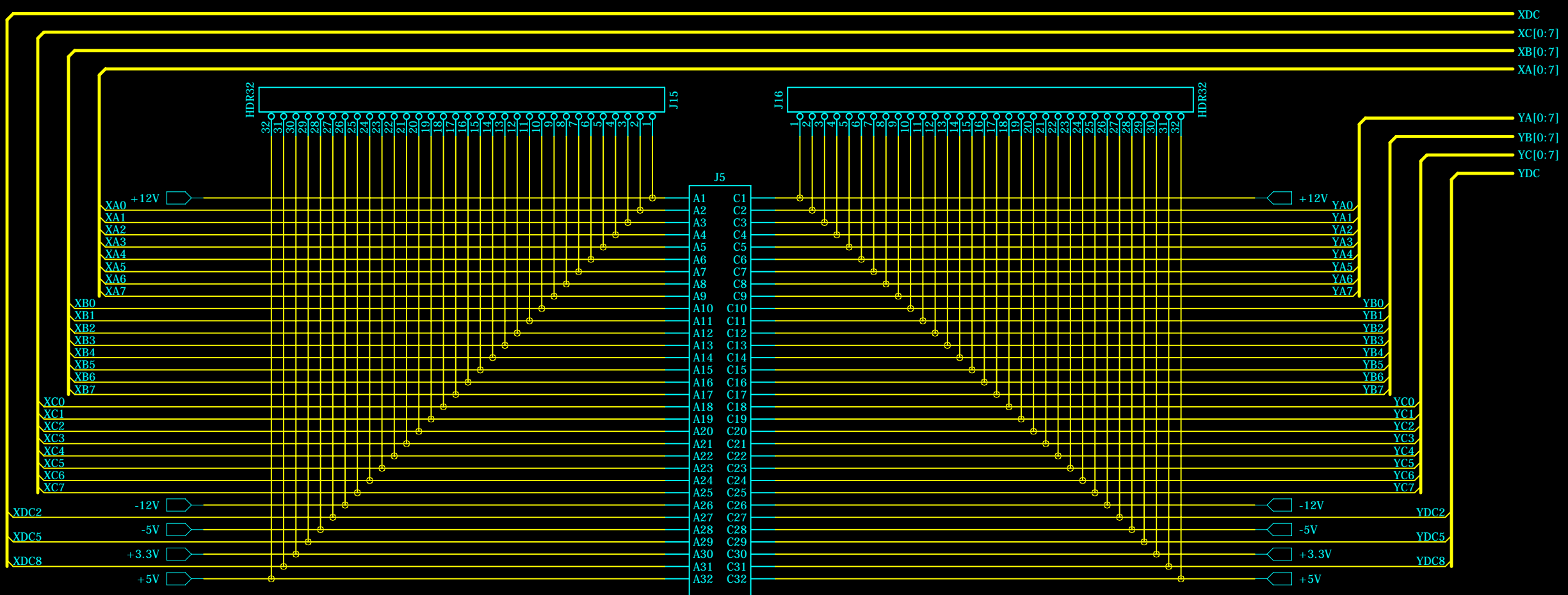
C

B

B

A

A



DIN41612_96_1

COMPANY:				OPEN HIGH PERFORMANCE SOFTWARE DEFINED RADIO PROJECT			
TITLE:				ATLAS BACKPLANE			
CODE:	SIZE:	DRAWING NO:		REV:			
N8VB_001	B	ATLAS_NR_07MAR2006		NR			
SCALE: NONE				SHEET: 5 OF 7			

DRAWN:	DATED:
PHIL N8VB	09MAR2006

6

5

4

3

2

1

REVISION RECORD			
LTR	ECO NO:	APPROVED:	DATE:

D

D

C

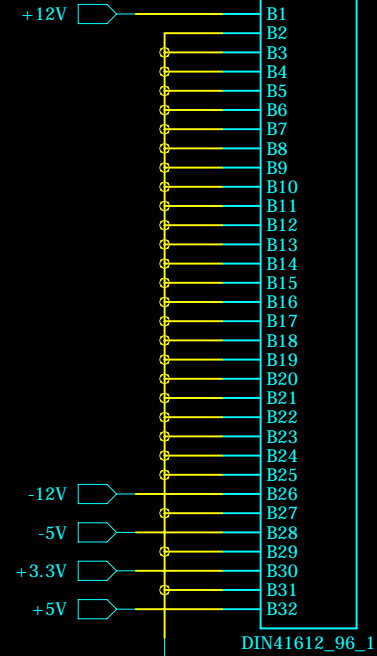
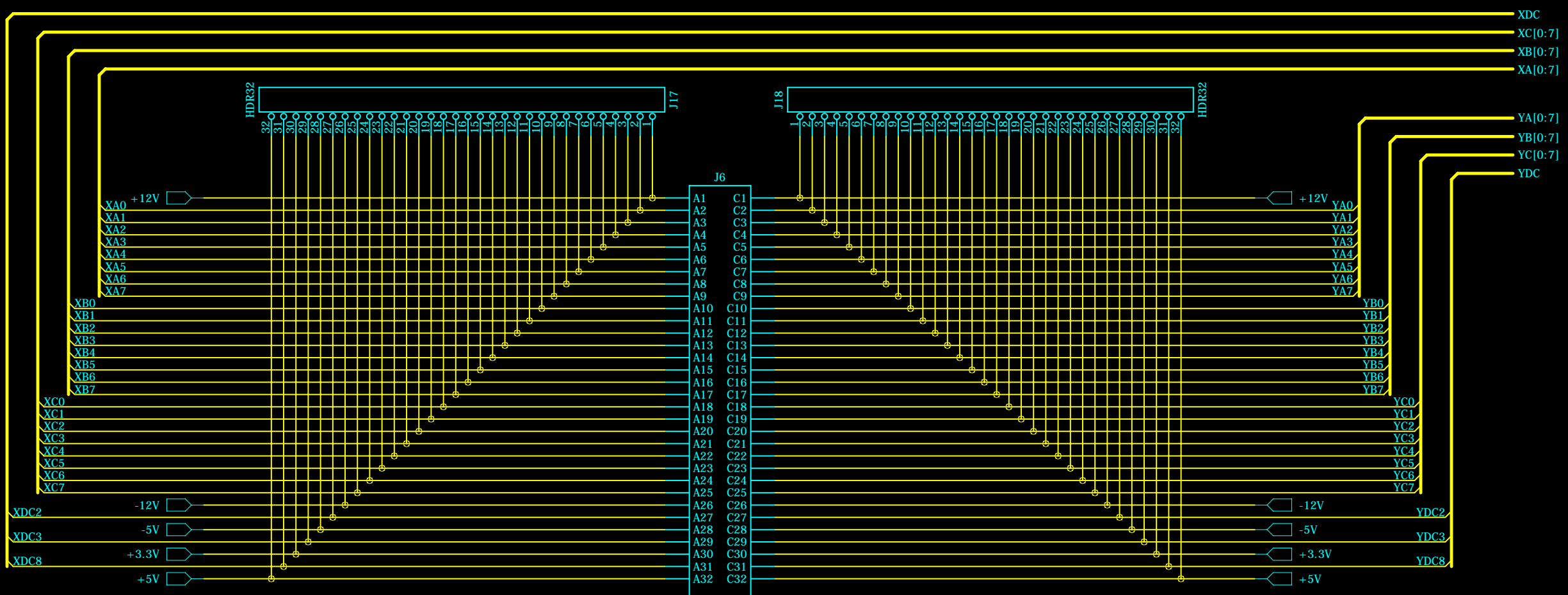
C

B

B

A

A



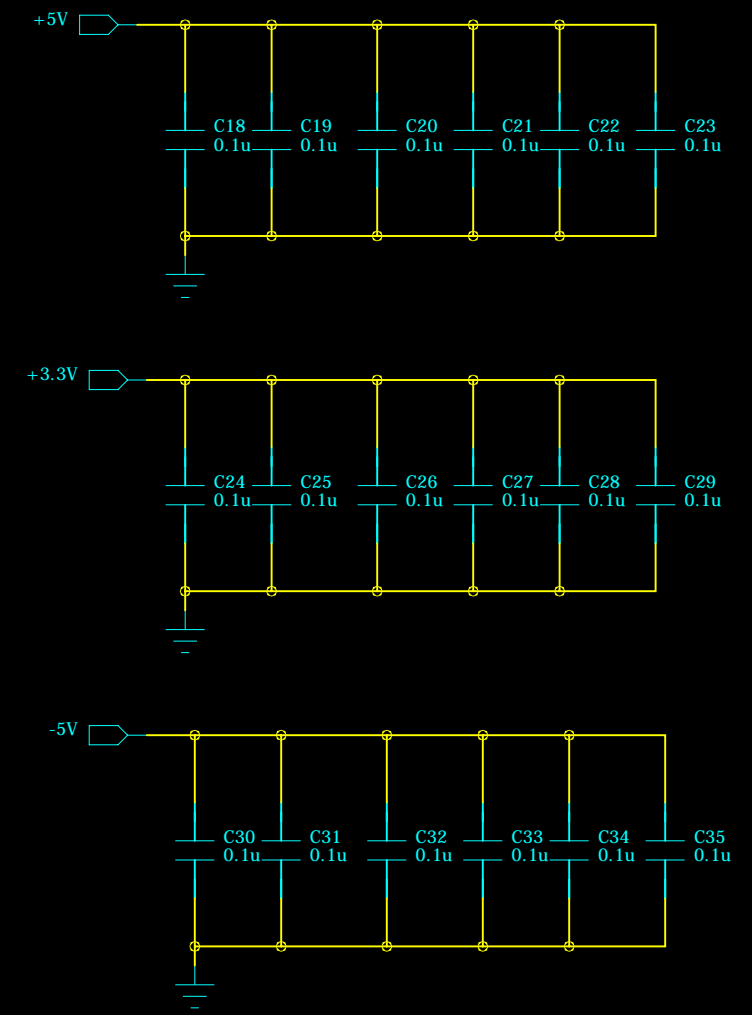
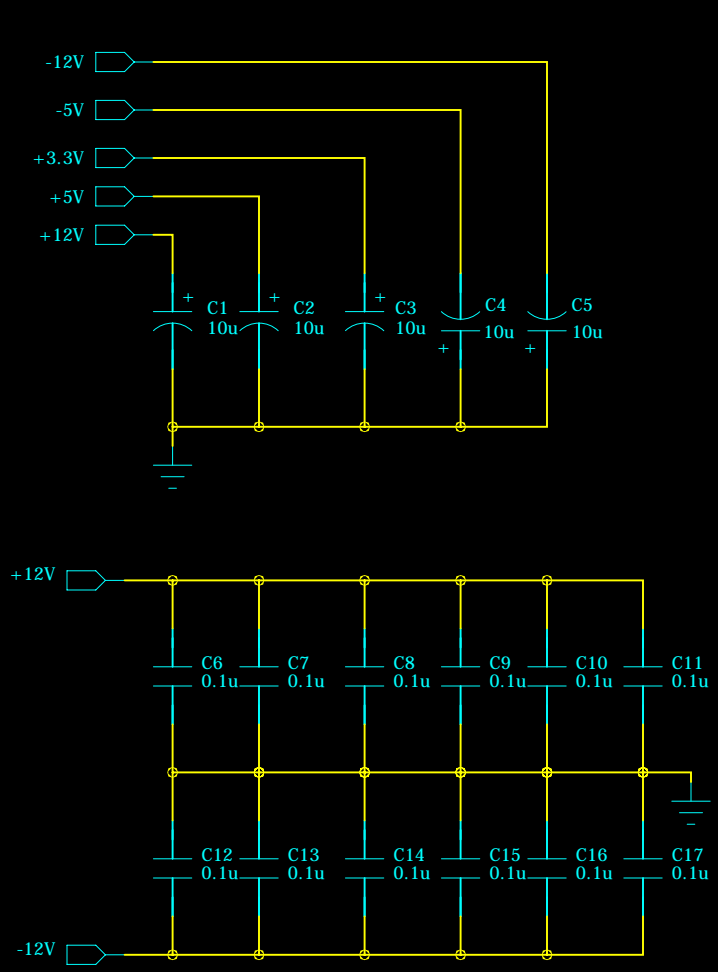
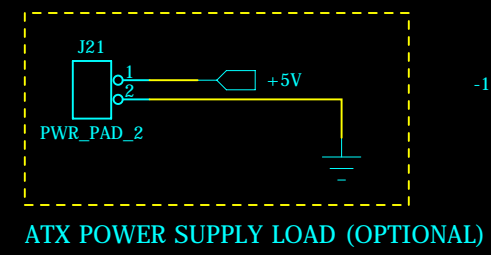
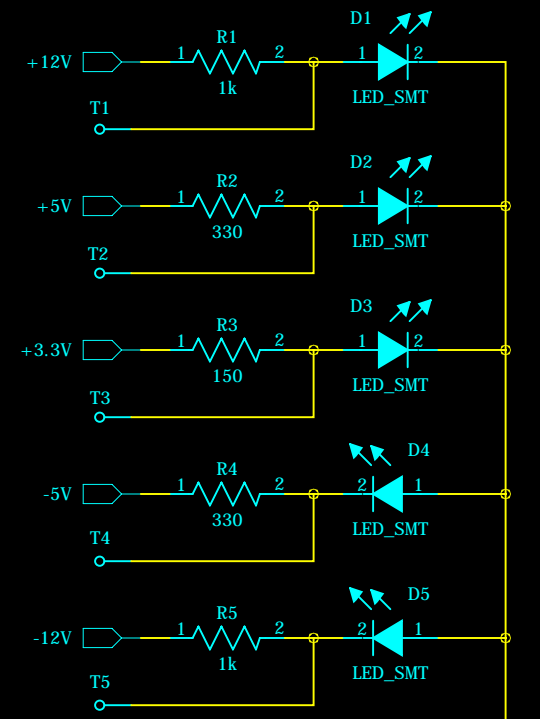
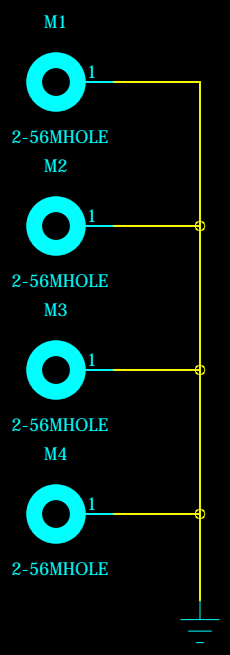
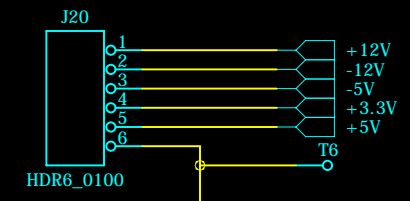
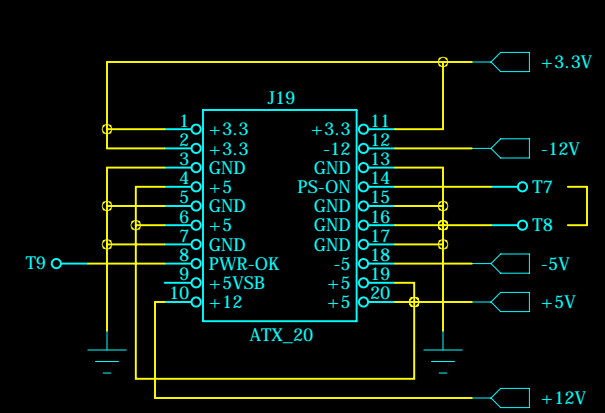
COMPANY:				OPEN HIGH PERFORMANCE SOFTWARE DEFINED RADIO PROJECT			
TITLE:				ATLAS BACKPLANE			
CODE:	SIZE:	DRAWING NO:		REV:			
N8VB_001	B	ATLAS_NR_07MAR2006		NR			
SCALE: NONE				SHEET: 6 OF 7			

DRAWN:	DATED:
PHIL N8VB	09MAR2006

DIN41612_96_1

6 5 4 3 2 1

REVISION RECORD			
LTR	ECO NO:	APPROVED:	DATE:



COMPANY:				OPEN HIGH PERFORMANCE SOFTWARE DEFINED RADIO PROJECT			
TITLE:				ATLAS BACKPLANE			
CODE:	SIZE:	DRAWING NO:		REV:			
N8VB_001	B	ATLAS_NR_07MAR2006		NR			
SCALE: NONE				SHEET: 7 OF 7			

DRAWN:	DATED:
PHIL N8VB	09MAR2006

D
C
B
A

D
C
B
A