

NAVSHIPS 92134(A)

INSTRUCTION BOOK

*for*

R. F. SIGNAL  
GENERATOR SET  
AN/URM-25D

SPECIALTY ENGINEERING AND ELECTRONICS COMPANY  
BROOKLYN, NEW YORK

DEPARTMENT OF THE NAVY  
BUREAU OF SHIPS

*Contract: NObsr 59758*

*Approved by BuShips: 17 March 1955*

**LIST OF EFFECTIVE PAGES**

<b>PAGE NUMBERS</b>	<b>CHANGE IN EFFECT</b>	<b>PAGE NUMBERS</b>	<b>CHANGE IN EFFECT</b>
Title Page	Change 1	4-0 & 4-1	Change 1
A	Change 1	4-2 to 4-7	Original
B & C	Original	4-8	Change 1
i to iii	Original	4-9 to 4-11	Original
1-0 & 1-1	Change 1	5-0 & 5-1	Original
1-2	Original	6-0 to 6-15	Original
1-3	Change 1	6-16	Change 1
1-4	Original	6-17 to 6-20	Original
1-5	Change 1	6-21	Change 1
1-6	Original	6-22 to 6-24	Original
2-1 & 2-2	Change 1	6-25 to 6-36	Change 1
2-3 & 2-4	Original	7-1	Original
2-5 & 2-6	Change 1	7-2 to 7-29	Change 1
2-7 to 2-11	Original	7-30	Original
3-0 & 3-1	Change 1	i-1 to i-5	Original

Change 1 to Instruction Book for Signal Generator Set AN/URM-25D, NAVISHIPS  
92134(A)

## Purpose

Change 1 revises the book to reflect changes in the equipment under Contract NOBSR-59758.

PAGE	PARA & LINE OR FIG & LOCATION	DESTROY MATERIAL REMOVED - ACTION
Title	Line 7, 8, 11, and 12	remove Title page; insert Title page change 1
A	new LIST OF EFFECTIVE PAGES	remove A page; insert A page change 1
1-0	Fig. 1-1 COVER & LOWER FRONT PANEL	remove 1-0; insert 1-0 change 1
1-1	Para. 1.d. (10)	remove 1-1; insert 1-1 change 1
1-3	Table 1-1. item j	remove 1-3; insert 1-3 change 1
1-5	Table 1-4. line 6, 8 & 9; Table 1-5 item b., c. & d.	remove 1-5; insert: 1-5 change 1
2-1	Fig. 2-1. lower line of figure	remove 2-1; insert 2-1 change 1
2-2	Fig. 2-2. upper left; Para. 2.c. line 13	remove 2-2; insert 2-2 change 1
2-5	Para. 3.d. line 12	remove 2-5; insert 2-5 change 1
2-6	Fig. 2-6 lower center	remove 2-6; insert 2-6 change 1
3-0	Para. 1.b. (2)	remove 3-0; insert 3-0 change 1
3-1	Para. 2.c. (3)	remove 3-1; insert 3-1 change 1
4-0	Fig. 4-1. lower center	remove 4-0; insert 4-0 change 1
4-1	Para. 2.b.	remove 4-1; insert 4-1 change 1
4-8	Fig. 4-9. lower center	remove 4-8; insert 4-8 change 1
6-16	Table 6-4. line 9, 10, 11, 12 and 13	remove 6-16; insert 6-16 change 1
6-21	Fig. 6-15. upper left	remove 6-21; insert 6-21 change 1
6-25, 6-26	Fig. 6-24. left, lower middle & right	remove 6-25, 6-26; insert 6-25, 6-26 change 1
6-27	Fig. 6-26. lower right	remove 6-27; insert 6-27 change 1
6-28	Table 6-5. line 16, 18, 22 & 24	remove 6-28; insert 6-28 change 1
6-29	Table 6-6. line 6, 9, 12 & 15	remove 6-29; insert 6-29 change 1
6-30	Table 6-7. line 3, 4, 5, 9, 13 & 17	remove 6-30; insert 6-30 change 1
6-31	Table 6-7. line 3, 4, 5, 9, 12 & 18	remove 6-31; insert 6-31 change 1
6-32	Table 6-7. line 3, 4, 5 & 9	remove 6-32; insert 6-32 change 1
6-33	Table 6-7. line 3, 4, 11 & 15	remove 6-33; insert 6-33 change 1
6-34	Table 6-7. line 3, 4, 7 & 11	remove 6-34; insert 6-34 change 1
6-35	Table 6-8. column 1, line 2, 4, 6, 8 & 10, column 2, line 24, 25 & 44, column 3, line 40, 41, 43, 45, 47, 49 & 50	remove 6-35; insert 6-35 change 1
6-36	Table 6-8. column 3, line 6 & 16	remove 6-36; insert 6-36 change 1
7-2	Table 7-3. line 11 and 15	remove 7-2; insert 7-2 change 1
7-3	Table 7-4; line 8, 9, 15-19, 24, 28, 34 & 35	remove 7-3; insert 7-3 change 1
7-4	Table 7-4, line 8-11, 14, 26-32, 36, 39 & 43	remove 7-4; insert 7-4 change 1
7-5	Table 7-4, line 3, 9, 14, 20, 27, 36, 38-43, 45 & 48	remove 7-5; insert 7-5 change 1
7-6	Table 7-4, line 8, 14, 17-21	remove 7-6; insert 7-6 change 1
7-7	Table 7-4, line 22, 24, 25, 28, 35, 38, 41 & 43	remove 7-7; insert 7-7 change 1
7-8	Table 7-4, line 12, 14, 19, 21, 22, 26, 31, 35, 39 & 41	remove 7-8; insert 7-8 change 1
7-9	Table 7-4, line 1, 3, 4, 6, 8-12, 14, 20, 25, 30 & 34	remove 7-9; insert 7-9 change 1
7-10	Table 7-4, line 10, 16, 30, 33 & 37	remove 7-10; insert 7-10 change 1
7-11	Table 7-4, line 2, 3, 10, 12, 15, 18, 23, 25, 29, 33 & 34	remove 7-11; insert 7-11 change 1
7-12	Table 7-4, line 8, 40 & 41	remove 7-12; insert 7-12 change 1
7-13	Table 7-4, line 1, 2, 7, 8, 13, 14, 19, 20, 25, 26, 31, 32, 37, 38, 43, 44, 46 & 47	remove 7-13; insert 7-13 change 1
7-14	Table 7-4, line 8, 14, 18, 22, 27, 28, 31, 32 & 38	remove 7-14; insert 7-14 change 1
7-15	Table 7-4, line, 1, 2, 6, 10, 12, 13, 14, 17, 18, 22, 23, 29, 30, 33, 34 & 37	remove 7-15; insert 7-15 change 1
7-16	Table 7-4, line 8, 9, 13, 14, 21, 22, 28, 29, 32, 33, 34, 35, 38 & 43	remove 7-16; insert 7-16 change 1
7-17	Table 7-4, line 3, 20, 21, 27-32, 34-36, 38-40, 42-44 & 46	remove 7-17; insert 7-17 change 1
7-18	Table 7-4, line, 8, 9, 11-13, 15-17, 19, 20, 22-25, 28-32, 34-36, 38-40, 42 & 43	remove 7-18; insert 7-18 change 1
7-19	Table 7-4, line 1-7, 9, 10, 16, 17, 19-21, 23-25, 27-29, 31-33, 35-39, 41 & 42	remove 7-19; insert 7-19 change 1
7-20	Table 7-4, line 9, 10, 12, 13, 16, 19, 22, 32, 37, 38 & 40	remove 7-20; insert 7-20 change 1

PAGE	PARA & LINE OR FIG. & LOCATION	DESTROY MATERIAL REMOVED – ACTION
7-21	Table 7-4, line 3, 4, 6, 8, 9, 11, 13, 17, 18, 23, 30, 35, 36, 38, 39, 40 & 42	remove 7-21; insert 7-21 change 1
7-22	Table 7-4, line 10, 11, 14, 20, 23, 34, 38 & 39	remove 7-22; insert 7-22 change 1
7-23	Table 7-4, line 1, 2, 4, 7, 8, 10, 11, 14, 20, 23, 29, 32, 36, 37, 38, 41, 42 & 43	remove 7-23; insert 7-23 change 1
7-24	Table 7-4, line 8-10, 13, 14, 23, 24, 27, 28, 30, 31, 35, & 37-39	remove 7-24; insert 7-24 change 1
7-25	Table 7-4, line 1, 4, 5, 6, 8, 14, 19, 24, 30, 32, 33 & 37	remove 7-25; insert 7-25 change 1
7-26	Table 7-4, line 8, 9, 13-23, 26, 27, 31, 32, 36, 37, 40 & 41	remove 7-26; insert 7-26 change 1
7-27	Table 7-4, line 5, 6, 11, 13, 15, 16, 20-25 & 26-31	remove 7-27; insert 7-27 change 1
7-28	Table 7-5, column 1, line 6, 26-53, 55-57, 62, column 2, line 5-7, 9, 26, 29, 41, 42, 46, 53, 56, column 3, line 9, 12, 20-24, 39, 43, 44, 47, 50, column 4, line 9, 12, 33, 36, 39, 41, 43, 44, column 5, line 34, 35, 36, 38, 39, 41-44, 46-48, 50-62, column 6, line 41-43, 47, 54, 58 & 60-62	remove 7-28; insert 7-28 change 1
7-29	Table 7-5, column 1, line 14, column 3, line 7-9, 12, 15 & 17, column 4, line 7-9, 12 & 15, column 5, line 6, 8, 9, 11 & 15, column 6, line 9 Table 7-6, line 2, 23, 24 & 25	remove 7-9; insert 7-9 change 1

Check book for completion against revised "List of Effective Pages" and then destroy superseded pages.



DEPARTMENT OF THE NAVY  
BUREAU OF SHIPS  
WASHINGTON 25, D. C.

IN REPLY REFER TO  
Code 993-100  
29 January 1954

From: Chief, Bureau of Ships  
To: All Activities Concerned with the  
Installation, Operation and Main-  
tenance of the Subject Equipment  
Subj: Instruction Book for RF Signal  
Generator Set, AN/URM-25D,  
NAVSHIPS 92134(A)

1. This is the instruction book for the subject equipment and is in effect upon receipt. This publication supersedes NAVSHIPS 92134.
2. When superseded by a later edition, this publication shall be destroyed.
3. Extracts from this publication may be made to facilitate the preparation of other Department of Defense Publications.
4. All Navy requests for NAVSHIPS Electronics publications should be directed to the nearest District Publications and Printing Office. When changes or revised books are distributed, notice will be included in the Bureau of Ships Journal and in the Index of Bureau of Ships General and Electronics Publications, NAVSHIPS 250-020.

W. D. LEGGETT, JR.  
Chief of Bureau



**TABLE OF CONTENTS**

<b>SECTION 1 – GENERAL DESCRIPTION</b>		<i>Paragraph</i>	<i>Page</i>	
<i>Paragraph</i>				
1.	Purposes and Basic Principles (of Operation) .....		1-1	
2.	Detailed Description .....		1-1	
3.	Equipment Similarities .....		1-3	
4.	Electron Tube Complement .....		1-3	
<b>SECTION 2 – THEORY OF OPERATION</b>				
1.	General Description of Circuits .....		2-1	
2.	Signal Channel .....		2-2	
3.	Internal Modulation .....		2-4	
4.	External Modulation .....		2-5	
5.	Crystal Calibration .....		2-6	
6.	Variable RF Attenuator .....		2-7	
7.	Terminating the Signal Generator .....		2-9	
8.	(5:1) Fixed Attenuator CN-223/URM-25D .....		2-9	
9.	Test Lead CX-1363/U .....		2-10	
10.	Power Supply PP-977/URM-25D .....		2-10	
<b>SECTION 3 – INSTALLATION</b>				
1.	Unpacking .....		3-0	
2.	Installation .....		3-1	
3.	Adjustments .....		3-1	
<b>SECTION 4 – OPERATION</b>				
1.	General .....		4-0	
2.	Power Circuit .....		4-1	
3.	Setting the Meter Zero .....		4-1	
4.	Setting Carrier Frequency .....		4-1	
5.	Crystal Calibrator .....		4-1	
6.	Adjusting Output Voltage .....		4-2	
7.	Internal Modulation and Audio Output .....		4-2	
8.	External Modulation .....		4-2	
9.	Terminating the Signal Generator .....		4-2	
10.	Coupling to the Receiver under Test .....		4-5	
11.	Use of Antenna Simulator SM-35/URM-25 .....		4-5	
12.	Use of Variable RF Attenuator .....		4-6	
13.	Use of (5:1) Fixed Attenuator CN-223/URM-25D .....		4-6	
14.	Use of (10:1) Fixed Attenuator CN-224/URM-25D .....		4-7	
15.	Summary of Operation .....		4-7	
		<i>Paragraph</i>	<i>Page</i>	
		16.	General Instructions for Use .....	4-7
		a.	Details .....	4-7
		b.	Receiver Tests .....	4-7
		c.	Modulated Operation .....	4-10
		d.	Receiver Output .....	4-10
		e.	Receiver Overall Sensitivity .....	4-10
		f.	Standard Antenna Electrical Constants .....	4-11
		g.	Standard Levels .....	4-11
		h.	Voltmeter used as an Output Meter .....	4-11
<b>SECTION 5 – PREVENTIVE MAINTENANCE</b>				
		1.	Routine Maintenance Check Chart .....	5-0
		2.	Fuse Failure .....	5-0
		3.	Lubrication .....	5-0
<b>SECTION 6 – CORRECTIVE MAINTENANCE</b>				
		1.	Theory of Localization .....	6-1
		2.	Test Equipment for Making Repairs and Trouble Shooting .....	6-1
		3.	System Trouble Shooting .....	6-1
		4.	Tube Operating Voltages and Currents .....	6-1
		5.	Tube Socket Electrical Measurements .....	6-1
		6.	Winding Data .....	6-1
		7.	Exterior and Interior Views of Units .....	6-1
		8.	Removing the Signal Generator and Power Supply from the Cabinet .....	6-1
		9.	Removal and Replacement of Parts .....	6-3
		10.	Removal of Oscillator Bracket Assembly .....	6-3
		11.	Removal of Crystal Calibrator Bracket Assembly .....	6-3
		12.	Removal of Audio Compartment Assembly .....	6-3
		13.	Removal of Step Attenuator .....	6-3
		14.	Replacing RF Oscillator Circuit Compo- nents .....	6-3
		15.	Replacing Buffer and Amplifier Circuit Components .....	6-4
		16.	Readjustment of Frequency Calibration .....	6-4
		17.	Frequency Calibration Procedure .....	6-5
		18.	Calibrating the Voltmeter .....	6-6
		19.	Calibrating the Step Attenuator (AT101) .....	6-8
<b>SECTION 7 – PARTS LISTS</b>				

**LIST OF ILLUSTRATIONS**

<b>SECTION 1 – GENERAL DESCRIPTION</b>			<b>SECTION 2 – THEORY OF OPERATION</b>		
<i>Figure</i>	<i>Title</i>	<i>Page</i>	<i>Figure</i>	<i>Title</i>	<i>Page</i>
1-1	RF Signal Generator Set AN/URM-25D, Complete Equipment .....	1-0	2-1	RF Signal Generator SG-85/URM-25D, Functional Block Diagram .....	2-1

## LIST OF ILLUSTRATIONS (Cont)

<i>Figure</i>	<i>Title</i>	<i>Page</i>	<i>Figure</i>	<i>Title</i>	<i>Page</i>
2-2	Simplified Schematic Diagram of the RF Oscillator .....	2-2	<b>SECTION 6 – CORRECTIVE MAINTENANCE</b>		
2-3	Simplified Schematic Diagram of the Buffer Stage .....	2-3	6-1	Failure Report .....	6-0
2-4	Simplified Schematic Diagram of the Output Amplifier Stage .....	2-3	6-2	Front Panel View for Removal of RF Signal Generator SG-85/URM-25D from Cabinet .....	6-2
2-5	Simplified Schematic Diagram of the Modulation Oscillator .....	2-5	6-3	Rear Bottom View for Removal of Power Supply PP-977/URM-25D from Cabinet .....	6-2
2-6	Simplified Schematic Diagram of the Modulation, Cathode Follower and Crystal Rectifier .....	2-6	6-4	RF Signal Generator SG-85/URM-25D and Power Supply PP-977/URM-25D Connected Outside Cabinet for Testing .....	6-4
2-7	Simplified Schematic Diagram of the Vacuum Tube Voltmeter .....	2-7	6-5	Side View of Buffer – Amplifier Unit with Tubes in Position .....	6-5
2-8	Simplified Schematic Diagram of the Step Attenuator .....	2-8	6-6	Rear View of Buffer – Amplifier Unit with Tubes Removed .....	6-5
2-9	Simplified Schematic Diagram of the Crystal Calibrator .....	2-9	6-7	Bottom View of Buffer – Amplifier Unit .....	6-6
2-10	Schematic Diagram of the (5:1) Fixed Attenuator CN-223/URM-25D .....	2-10	6-8	Top and Bottom Views of Carrier Oscillator Bracket .....	6-7
2-11	Test Lead CX-1363/U .....	2-10	6-9	Top and Bottom Views of Crystal Calibrator Bracket .....	6-9
2-12	Simplified Schematic Diagram of the Power Supply PP-977/URM-25D .....	2-11	6-10	Rear View of Oscillator Compartment .....	6-10
2-13	Schematic Diagram of Voltage Regulator .....	2-11	6-11	Rear View of Turret Selector Switch .....	6-10
2-14	Schematic Diagram of 115V-AC Power Source .....	2-11	6-12	Method for Calibrating the RF Signal Generator Set AN/URM-25D at Frequencies Below 100 Kilocycles .....	6-10
<b>SECTION 3 – INSTALLATION</b>			6-13	Bottom View of Signal Generator SG-85/URM-25D .....	6-11
3-1	RF Signal Generator Set AN/URM-25D, Packaging Diagram .....	3-0	6-14	Percentage Modulation Chart .....	6-20
3-2	RF Signal Generator Set AN/URM-25D, Outline Dimension Drawing .....	3-0	6-15	Signal Generator Voltage and Resistance Chart .....	6-21
<b>SECTION 4 – OPERATION</b>			6-16	Rear View of Audio and Metering Unit .....	6-22
4-1	RF Signal Generator SG-85/URM-25D .....	4-0	6-17	Interior View of Audio and Metering Unit Showing Terminal Board and Position of Resistors .....	6-22
4-2	Diagram Showing Vernier Reading of Frequency Scale .....	4-2	6-18	Top View of Signal Generator SG-85/URM-25D .....	6-22
4-3	Impedance Adapter MX-1487/URM-25D .....	4-3	6-19	Rear View of Signal Generator SG-85/URM-25D .....	6-23
4-4	Equivalent Circuit of RF OUTPUT X-MULT (J102) with Impedance Adapter MX-1487/URM-25D Added .....	4-3	6-20	Top and Bottom Interior Views of Step Attenuator AT101 .....	6-23
4-5	Method of Inserting Impedance Adapter MX-1487/URM-25D at J102 .....	4-3	6-21	Top and Bottom Views of the Power Supply PP-977/URM-25D .....	6-24
4-6	Equivalent Circuit of RF OUTPUT X-MULT (J102) with Series Matching Resistor Added .....	4-3	6-22	Interior View of (5:1) Fixed Attenuator CN-223/URM-25D .....	6-24
4-7	Equivalent Circuit of RF OUTPUT X-MULT (J102) with Shunt Resistor Added .....	4-4	6-23	Interior View of Antenna Simulator SM-35/URM-25 .....	6-24
4-8	Schematic Diagram of the Antenna Simulator SM-35/URM-25 with Input Impedance Frequency Curve .....	4-5	6-24	RF Signal Generator Set AN/URM-25D, Overall Schematic Diagram .....	6-25, 6-26
4-9	Simplified Procedure for Operating the RF Signal Generator Set AN/URM-25D .....	4-8	6-25	Interior View of Impedance Adapter MX-1487/URM-25D .....	6-27
			6-26	RF Connectors and Cable Assemblies .....	6-27



**LIST OF TABLES**

<b>SECTION 1 — GENERAL DESCRIPTION</b>			<b>SECTION 6 — CORRECTIVE MAINTENANCE</b>		
<i>Table</i>	<i>Title</i>	<i>Page</i>	<i>Table</i>	<i>Title</i>	<i>Page</i>
1-1	Equipment Supplied .....	1-3	6-1	Frequency Calibration Data .....	6-11
1-2	Shipping Data .....	1-3	6-2	Trouble Symptom Chart .....	6-12
1-3	Basic Differences in AN/URM-25 Series Equipments .....	1-4	6-3	Chart of General Test Procedure for Localizing Trouble .....	6-13
1-4	Electron Tube Complement .....	1-5	6-4	Chart of Suggested Test for Locating the Specific Trouble .....	6-14
1-5	Reference Data .....	1-5	6-5	Tube Operating Voltages and Currents .....	6-28
			6-6	Rated Tube Characteristics .....	6-29
			6-7	Winding Data .....	6-30
			6-8	Cross Reference Between Symbol Num- ber and Figure Location .....	6-35
<b>SECTION 4 — OPERATION</b>			<b>SECTION 7 — PARTS LIST</b>		
4-1	References for Correctly Terminating the Generator at J102 .....	4-4	7-1	Weights and Dimensions of Spare Parts Boxes .....	7-1
4-2	Methods for Correctly Terminating the Signal Generator at J102 .....	4-4	7-2	Shipping Weights and Dimensions of Spare Parts Boxes .....	7-1
4-3	Operational Summary of Front Panel Controls .....	4-9	7-3	List of Major Units .....	7-2
			7-4	Combined Parts and Spare Parts List .....	7-3
			7-5	Cross Reference Parts List .....	7-28
			7-6	List of Manufacturers .....	7-29
			7-7	Applicable Color Codes and Miscellane- ous Data .....	7-30
<b>SECTION 5 — PREVENTIVE MAINTENANCE</b>					
5-1	Routine Check Chart .....	5-0			
5-2	Symptoms of Fuse Failure .....	5-1			
5-3	Fuse Locations .....	5-1			

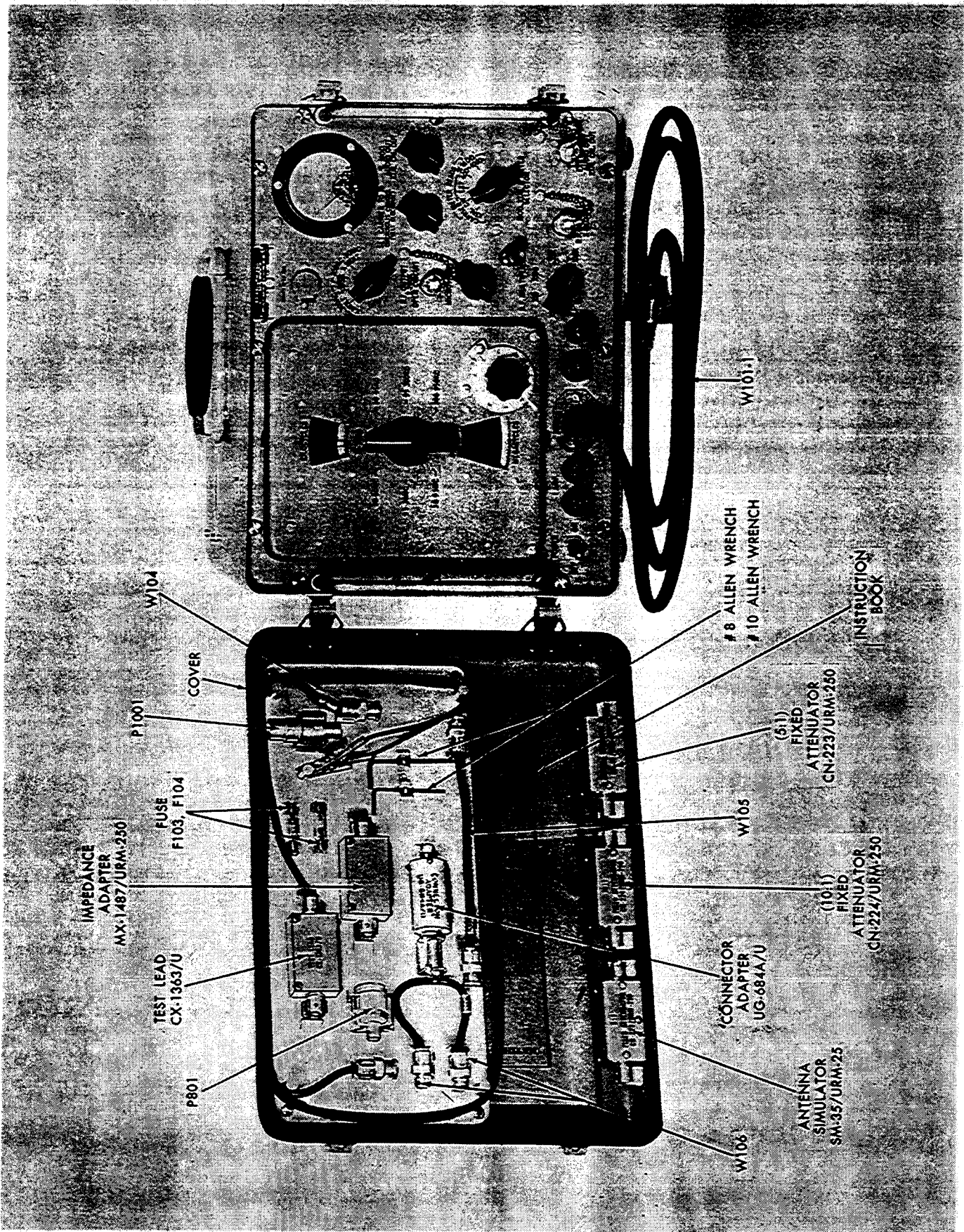


Figure 1-1. RF Signal Generator Set AN/URM-25D, Complete Equipment

TABLE 1-4. ELECTRON TUBE COMPLEMENT

REQUIRED NUMBER	TYPE TUBE	SYMBOL DESIG.	FUNCTION	LOCATION
1	6AH6	V101	Carrier Oscillator	Carrier Oscillator Compartment
1	6AH6	V102	Buffer Stage	Buffer-Amplifier Compartment
1	6AG7	V103	Output Amplifier	Buffer-Amplifier Compartment
1	5726	V104	Carrier Voltmeter	Buffer-Amplifier Compartment
1	5750	V105	Crystal Calibrator	Carrier Oscillator Compartment
1	5814A	V106-1	Modulation Oscillator	Audio Compartment
1	6AH6	V107	Modulation Cathode Follower	Audio Compartment
1	OA2WA	V108-1	Voltage Stabilizer	Audio Compartment
1	6X4WA	V201-1	B + Rectifier	Power Supply PP-977/URM-25D

TABLE 1-5. REFERENCE DATA

a. Nomenclature	RF Signal Generator Set AN URM-25D
b. Contract	NObsr 59758
c. Contractor	Specialty Engineering and Electronics Co., Brooklyn, New York
d. Cognizant Naval Inspector	Inspector of Naval Materials, New York, New York
e. Number of Packages Involved Per Complete Shipment	1
f. Total Cubical Contents	See Table 1-1
g. Total Weight	See Table 1-1
h. Frequency Range	10 to 50,000 kc $\pm$ 0.5% 1 to 50 mc $\pm$ 0.05% when calibrated against integral crystal.
i. Tuning Bands and Range of Each Band	
(1) Band A	10 to 30 kc
(2) Band B	30 to 95 kc
(3) Band C	95 to 300 kc
(4) Band D	300 to 950 kc
(5) Band E	.95 to 3.0 mc
(6) Band F	3 to 9.5 mc
(7) Band G	9.5 to 30 mc
(8) Band H	30 to 50 mc
j. Types of Amplitude Modulation	0 to 50% with indicated accuracy within 10%
(1) Internal Modulation Frequencies	a. 400 cycles per second $\pm$ 5% b. 1000 cycles per second $\pm$ 5%
(2) External Modulation Frequency	1000 to 15,000 cycles per second
k. Output Voltage (RF)	a. 0.1 to 100,000 microvolts $\pm$ 10% when terminated by 50-ohm external load b. 2 volts adjustable across a high load impedance

TABLE 1-5. REFERENCE DATA (Continued)

---

l. Output Voltage (Audio)	
(1) Frequency	400 or 1000 cycles
(2) Voltage	0 to approximately 3 volts adjustable, across an output impedance of approximately 15,000 ohms.
(3) Adjustment	Voltage varied by front panel control
(4) Calibration	Proportional to reading of % Modulation
m. Output Impedance	
a.	50 ohms at RF OUTPUT X-MULT jack (J102)
b.	500 ohms at RF OUTPUT X-200K jack (J101)
c.	15,000 ohms at EXT MOD IN-AUDIO OUT-XTAL CAL OUT jack (J105) for crystal calibration monitoring - 33,000 ohms for external modulation input
n. Power Supply PP-977/URM-25D	
(1) Power Source Requirements	115 volts $\pm$ 10%, 50 to 1000 cycles per second, single-phase
(2) Power Consumption of Equipment	Approximately 48 watts

---

SECTION 2

THEORY OF OPERATION

1. GENERAL DESCRIPTION OF CIRCUITS

(See figure 2-1.)

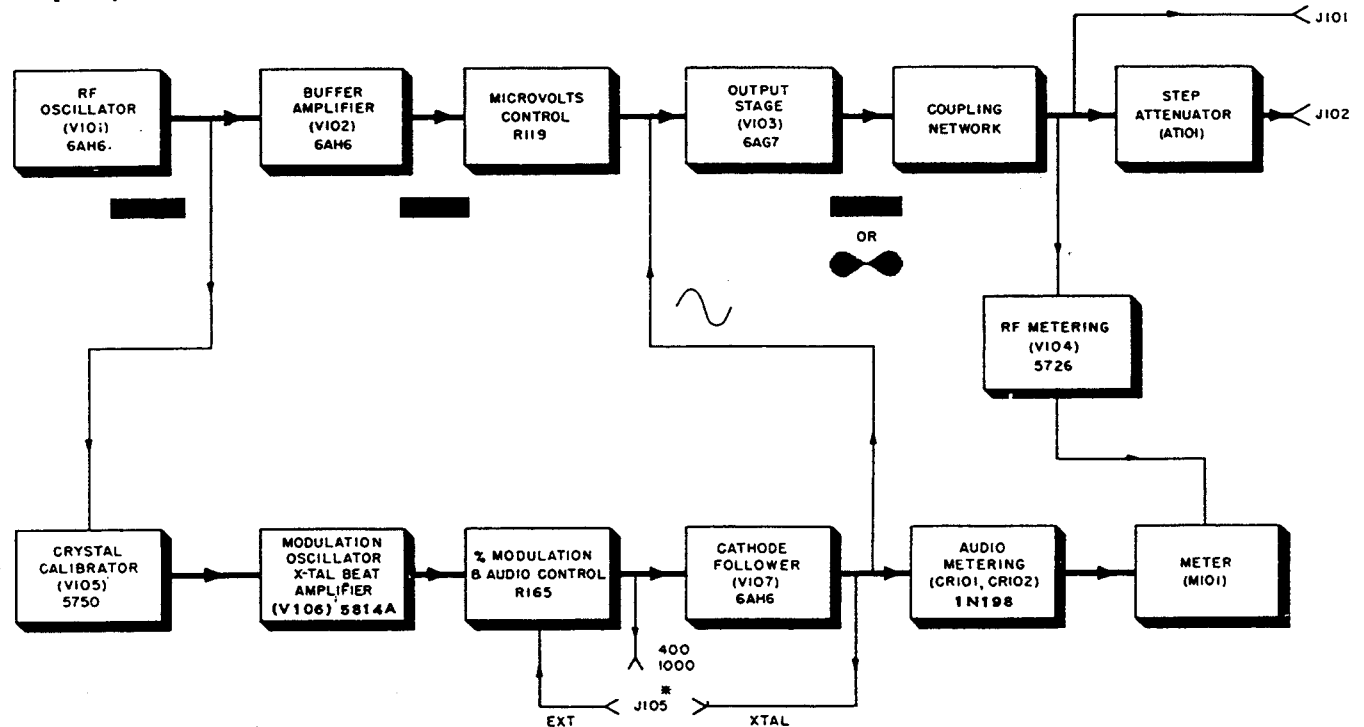
a. The purpose of this section is to give the Electronic Technician a better understanding of the RF Signal Generator Set AN/URM-25D so that he can better apply himself to the operation and maintenance problems that may arise.

b. The functional principle of the AN/URM-25D is similar to that of a radio frequency transmitter. This association will become more apparent as the technician reads and studies this section. An RF oscillator (par. 2b) generates a variable RF signal which is applied via the buffer stage (par. 2c), to the control grid of the output amplifier stage (par. 2d). A modulation oscillator (par. 3b) generates an audio voltage (400 or 1,000 cycles) which is also applied to the control grid of the output stage to grid modulate the RF signal. The modulated signal is then taken from the output stage and fed to a step attenuator circuit (par. 9) where the desired output amplitude is selected. A vacuum tube voltmeter is provided for measuring the carrier output. Provision is also made for external modulation. The output of the modulation oscillator is available at the EXTMODIN-AUDIOOUT - XTALCALOUT jack (J105). A crystal calibrating circuit is also provided to calibrate the RF frequency from 1 mc to 50 mc. When this calibrator is

used, the frequency error can be made less than 0.05% at these frequencies.

c. A detailed analysis of the principal circuit assemblies is covered in this section under the following headings and paragraphs.

- |                                       |         |
|---------------------------------------|---------|
| (1) Signal Channel                    | Par. 2  |
| (2) Carrier Oscillator                | Par. 2b |
| (3) Buffer Stage                      | Par. 2c |
| (4) Output Amplifier                  | Par. 2d |
| (5) Vacuum Tube Voltmeter             | Par. 2e |
| (6) Signal Output Circuit             | Par. 2f |
| (7) Internal Modulation               | Par. 3  |
| (8) Modulation Oscillator             | Par. 3b |
| (9) Cathode Follower Stage            | Par. 3c |
| (10) Modulation Metering              | Par. 3d |
| (11) External Modulation              | Par. 4  |
| (12) Switching                        | Par. 4b |
| (13) Crystal Calibration              | Par. 5a |
| (14) Crystal Calibrator               | Par. 5b |
| (15) Beat Amplifier                   | Par. 5c |
| (16) Variable RF Attenuator           | Par. 6  |
| (17) Terminating the Signal Generator | Par. 7  |
| (18) (5:1) Fixed Attenuator           | Par. 8  |
| CN-223/URM-25D                        | Par. 9  |
| (19) Test Lead CX-1363/U              | Par. 10 |
| (20) Power Supply PP-977/URM-25D      |         |



\* J105 CONNECTION DEPENDS ON SWITCH S102 POSITION

Figure 2-1. RF Signal Generator SG-85/URM-25D, Functional Block Diagram

2. SIGNAL CHANNEL.

a. GENERAL.

The primary purpose of the signal channel is to generate a stable test carrier, calibrated in frequency and output amplitude and capable of sustaining audio amplitude modulation while remaining practically free from incidental frequency modulation.

b. CARRIER OSCILLATOR (See figure 2-2).

The carrier oscillator uses a triode connected pentode, type 6AH6, (V101). Variable capacitor (C123), 479 uuf, is the main tuning device and is used on all bands. Because of the relatively wide frequency range over which the oscillator must perform, the combination of coil, grid leak resistor, grid blocking capacitor, and isolating resistor selected for optimum conditions of frequency stability and coverage for each band, is switched by means of a specially designed rotary turret (Fig. 6-11). High frequencies generated in Band H present special problems. For instance, the band coverage has been shortened by use of a series padder capacitor (C118) in order to maintain a relatively high circuit impedance over the whole band. For the purposes of explanation, the turret will be considered to be positioned at band

"C". R105-1, C105-1 furnish automatic grid bias. Trimmer capacitor (C106) in conjunction with tuning slug adjustment of coil inductance are used in setting range of band covered by the main tuning capacitor (C123). R106 functions to stabilize the oscillator by isolating the tuning circuit from the tube, the parameters of which vary with changes in temperature, heater voltages, etc. The oscillator plate is maintained at rf ground potential at all frequencies generated with bypass capacitors (C120) and (C121) effective at high and low frequencies respectively. The plate voltage is supplied from a regulated +150V source, voltage regulator tube type OA2, (V108), and is varied by the SET CARRIER TO 10 control (R173) located on the front panel. The plate lead enters the oscillator compartment via the feed-through capacitor (C127) which is a part of a low-pass filter composed also of L109 and C125. This r-f filter is used to prevent rf from appearing outside of the oscillator compartment. A similar arrangement composed of C128, L110, and C126 is used to filter the filament supply. Output coupling capacitor (C119) has a very small capacity to isolate and minimize the effect of external shunt capacitance and its variations of the succeeding buffer stage and associated wiring.

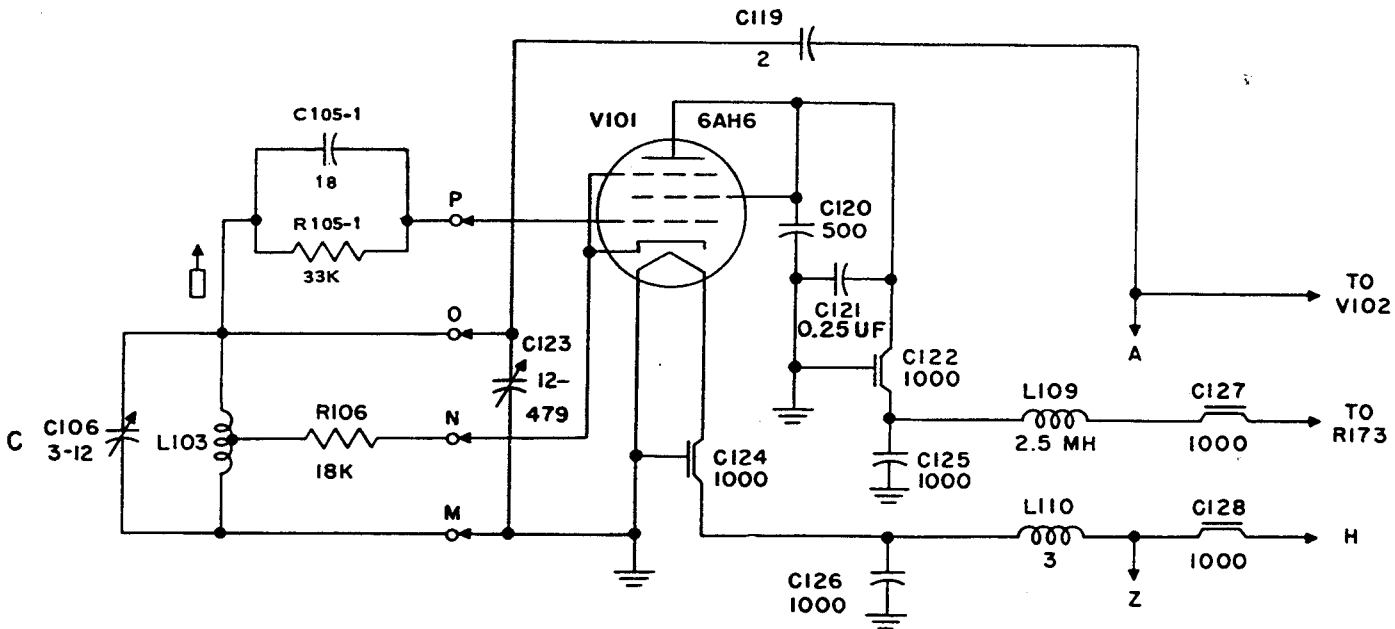


Figure 2-2. Simplified Schematic Diagram of the RF Oscillator

c. BUFFER STAGE (See figure 2-3).

The carrier signal is coupled by C119 and resistor R114 to the grid of a pentode, type 6AH6, (V102). The main purpose of the buffer stage is to isolate the oscillator stage from the effect of output loading and from modulating voltages. The operating point of the tube is established by the un-bypassed cathode bias resistor (R115). The screen is bypassed to ground with capacitor C129, .25 uf, and its voltage is supplied via resistor R117. The signal output of this stage is coupled to the OUTPUT amplifier (V103) by means of a frequency compensating network, (L111, R116) and (L112, R118), that is

basically an M-derived filter, and also by the series compensating circuit (L113 and R120) following the variable resistor (R119). This type of compensating is necessary because of the extreme frequency range (10kc to 50mc) of the pass band required. C130 is primarily a d-c blocking capacitor. The coupling capacitor (C131) is of a minimum value compatible with the coupling of carrier voltages, in order to prevent bypassing of higher audio frequencies when the grid of the succeeding stage (V103) is modulated. The variable resistor (R119) marked MICROVOLTS is the gain control and is located on the front panel. The series combination of R121 and

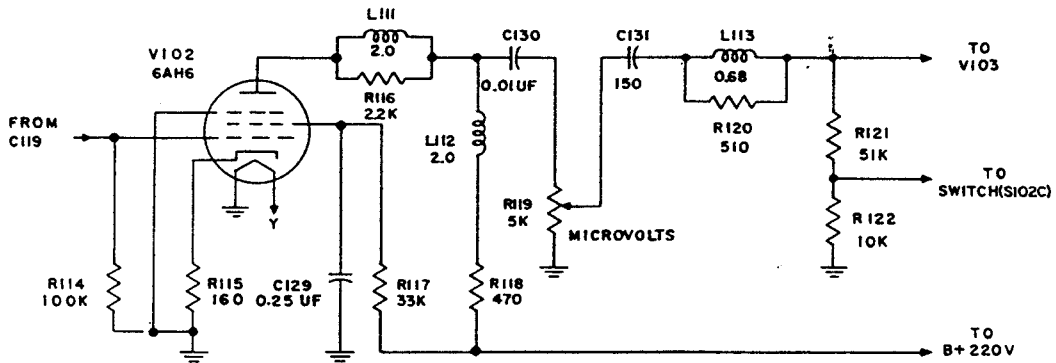


Figure 2-3. Simplified Schematic Diagram of the Buffer Stage

R122 provides grid return for the OUTPUT stage (V103), R122 being used to introduce modulating voltage into the grid circuit of that stage.

d. OUTPUT AMPLIFIER (See figure 2-4).

The output amplifier uses a power pentode type 6AG7, (V103). Bias for this stage, operating Class A, is obtained by the voltage drop across cathode resistor (R123). In order to bypass this resistor properly at all signal frequencies generated, capacitors C132, 25 uf, and C133, .02 uf, are used in parallel combination. The signal to be amplified, which may be modulated by an internally or externally generated audio frequency, appears at the grid (pin 4) of the tube (V103). The plate output circuit contains three major branches; first, the plate voltage is shunt-fed through the r-f chokes L116, L117, and L118 (Fig. 2-4). Next there is a series compensating network consisting of L114, L115, and its damping resistor (R124). C135 is simply a coupling capacitor. The 500 ohm resistor (R130) and the 55.56 ohm input impedance of step attenuator (AT101) in

series form the actual load for the output stage. Due to the fact that low frequencies generated by the signal channel are definitely in the audio region, the plate load impedance, when operating at these frequencies, must be kept high in order to develop sufficient output signal voltage. However, when the generated frequencies are above 300 kc (output/range switch [S101] in the 300 kc - 50 mc position), and when the generator is modulated by frequencies as high as 15 kc, it is desirable to prevent the audio voltage from appearing in the output. This is accomplished by shorting out the inductances (L117) and (L118), representing plate load impedance needed for low frequency operation. Additional isolation of the output from audio frequency variations is achieved by switching in the series capacitor (C136). This capacitor has very low reactance to high frequencies but high reactance in the audio frequency range. It is shorted when the output/range switch (S101) is in the 10 kc - 300 kc position. The switching described above is accomplished automatically, since the contacts are part of the output/range switch (S101).

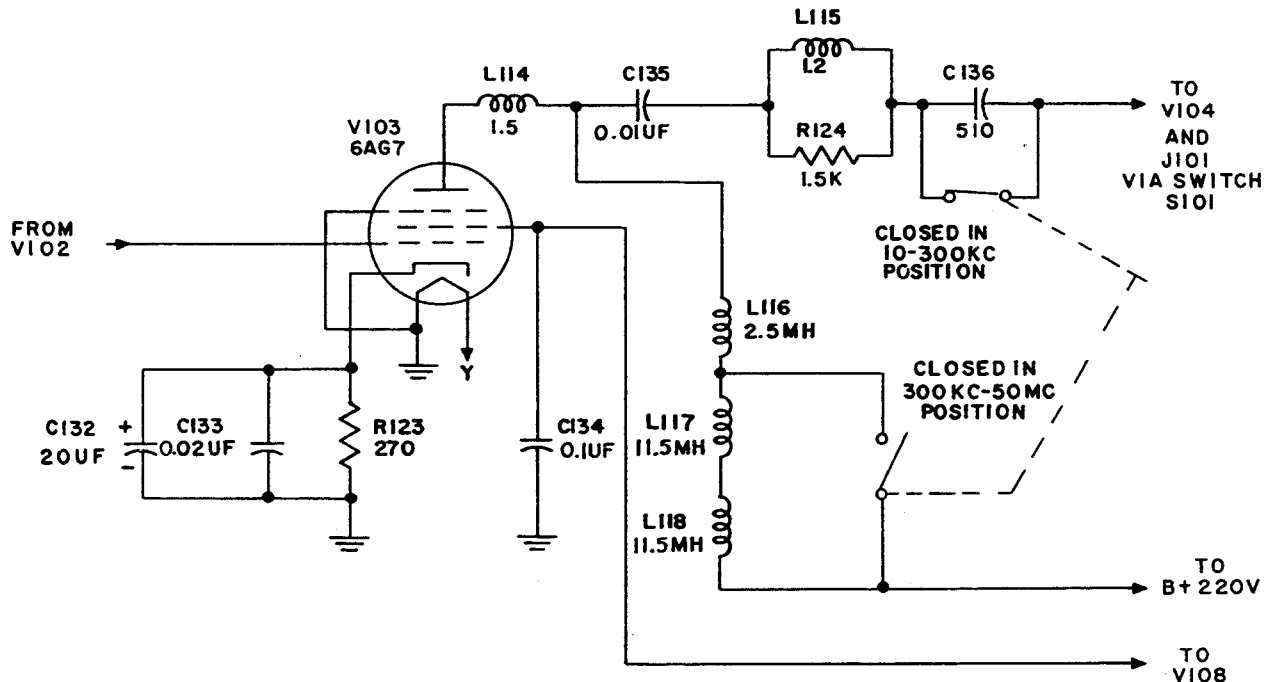


Figure 2-4. Simplified Schematic Diagram of the Output Amplifier Stage

e. VACUUM TUBE VOLTMETER (See figure 2-7).

The VTVM circuit uses a double diode type 5726 (V104), which, together with carrier meter (M101) and associated circuitry, enables the operator to maintain the correct input to the step attenuator (AT101) at all frequencies generated. The first diode (pins 1 and 7) is arranged to rectify the negative signal peaks. The second diode (pins 2 and 5) is connected inversely and serves to cancel the residual potential of the peak reading diode, as well as providing a convenient way to zero adjust carrier meter (M101). The rectified voltage appearing across capacitors C138 and C139 will approach the peak amplitude of the output signal voltage. This voltage also appears across the resistors R128, R144, and R172 in series, and the proportional d-c current resulting is read on carrier meter (M101). Optimum values of capacity are maintained over the frequency range by switching capacitor C139 in parallel with C138 when the output/range switch (S101) is in the 10 kc - 300 kc position. The no-signal current through the first diode is cancelled out by inserting the cathode of the second diode at the junction of R128 and R144. The plate of this diode is returned to ground through R126 and potentiometer R127 (CARRIER METER ZERO). The arm of R127 is connected to R125 and then to B plus. This forms a voltage divider allowing the positive voltage to bias the second diode and thus zero position the carrier meter (M101). This method offers better zero stability than a direct biasing of the rectifying diode.

f. SIGNAL OUTPUT CIRCUIT  
(See figures 2-4 and 2-8).

There are two r-f output jacks located on the front panel. The jack (J101) marked X-200K OPEN CIRCUIT provides connections to a high level signal voltage source having internal impedance of 500 ohms (approx.) and output voltage up to 2 volts (open circuit). Jack (J102) marked X-MULT is the low level signal source with a constant 50 ohms internal impedance for all positions of R.F. OUTPUT X-MULT control (AT101). The output signal level available from this jack is adjustable from 100,000 microvolts to 0.1 microvolt when terminated by 50 ohms impedance. The metered signal voltage from the output amplifier (V103) appears across the 500 ohm precision resistor (R130) and the step attenuator (AT101). The output voltage source desired may be selected by positioning the output/range switch to the X-MULT or X-200K setting on either the 10kc - 300kc or the 300 kc - 50 mc position of this switch. When the output/range switch (S101) is in an X-200K position, the r-f output jack (J101) and series resistor (R129) are connected to the output circuit. The series resistor (R129) increases the internal resistance of the source but serves to isolate it from capacitive loading by the output jack (J101). When taking the signal from R-F OUTPUT X-MULT jack (J102) through the step attenuator (AT101) it is better to place the output/range switch (S101) in the X-MULT position of the required frequency range, thus removing resistor R129 from the output circuit and switching it to ground. This procedure maintains mini-

mum output distortion by removing any additional loading of the output circuit. The R.F. MULTIPLIER control is a step attenuator (AT101) providing 100 db. attenuation and is arranged to present a constant input (P103) and output (J102) impedance regardless of the position of the arm. Its output impedance is 50 ohms, available at the R.F. OUTPUT X-MULT jack (J102).

3. INTERNAL MODULATION.

a. GENERAL.

There are two internal modulation frequencies available. The desired frequency may be selected by turning MOD-XTAL & METER SELECTOR (S102) switch to 400 or 1000 cycles position. Meter M101 is scaled to read percentage of modulation in either of these positions.

b. MODULATION OSCILLATOR (See figure 2-5).

The basic circuit used during operation with internal modulation of the carrier signal is a resistance-capacitance tuned oscillator using a twin-triode, type 5814 (V106). The first half (pins 6, 7, and 8) of this tube is the input amplifier, and the second half (pins 1, 2, and 3) is the output amplifier. In this type of oscillator the frequency is determined by a network composed of resistors and capacitors which is placed in the positive feedback path. The combination of C160, R152 and C161, R153 is the 400 cycle frequency determining network. For 1000 cycle operation, R154 and R155 are switched into the circuit, replacing resistors R152 and R153. Negative feedback necessary to obtain good waveform in the oscillator output is supplied via resistors R156, R158, and R159, and the variable feedback control (R157). Capacitor C162 is a d-c blocking capacitor in the feedback path. The signal from the first amplifier appears across its plate load resistor (R160) and is capacity coupled (C164) to the grid of the second amplifier. This grid is returned to ground through resistor R163. The audio voltage output of the MODULATION OSCILLATOR is developed across the plate load resistor (R161) of the second amplifier and is coupled through capacitor C163 to the series network of isolating resistor (R164) and the gain control, marked % MODULATION. This control varies the degree of modulation of the r-f signal as indicated by the lower scale on meter M101. The audio voltage appearing at the arm of the gain control is connected through switch S102D to the AUDIO OUT jack (J105), where it is available for test purposes. The same audio voltage is coupled via capacitor C165 to the control grid of the CATHODE FOLLOWER tube (V107).

c. CATHODE FOLLOWER STAGE (See figure 2-6).

The audio voltage generated by the MODULATION OSCILLATOR appears at the grid of the CATHODE FOLLOWER which utilizes a triode connected pentode, type 6AH6 (V107). The purpose of this stage is to isolate the MODULATION OSCILLATOR from varying load and to act as a low impedance source of the modulation voltage coupled to the grid circuit of the OUTPUT AMPLIFIER (V103) in the SIGNAL CHANNEL. The grid of the cathode follower stage is returned through resistor R166 to the junction of cathode load



resistors (R167 and R168). The plate is connected directly to the plus supply. Capacitor C166 couples the audio modulating voltage appearing across cathode resistors R167 and R168, via an r-f filter C147, R142, C142, to the grid circuit of the OUTPUT AMPLIFIER (V103), where the audio modulation voltage is developed across R122. The same audio voltage is coupled by capacitor C167 to the MODULATION METERING circuit, where it is measured.

d. MODULATION METERING (See figure 2-6).

The proportion of the known r-f voltage and modulating audio actually appearing at the grid (pin 4) of the OUTPUT AMPLIFIER (V103) determines the degree of modulation. The function of the modulation metering circuit is to indicate the degree of modulation as a percentage through measuring the amplitude of the audio voltage. The circuit consists of a bridge-type rectifier producing a current through M101 proportional to the audio voltage output of the CATHODE FOLLOWER STAGE. The voltage is capacity coupled to two crystal diodes, type IN198 (CR101-1, CR102-1), which are used in conjunction with bridge resistors (R170 and R171) to rectify the modulation voltage. % MODULATION METER (M101) is calibrated by a series variable resistor (R169).

4. EXTERNAL MODULATION.

a. GENERAL.

In the event that carrier modulating frequencies other than 400 or 100 cycles are required, provision is made to connect the signal generator to an external source of audio voltage. This is accomplished by a switching

arrangement whereby the function of jack J105 is changed to accept the external modulation signal and the EXT MOD IN marking on the front panel applies.

b. SWITCHING (See figure 2-6).

There are no additional tubes involved when the signal generator is functioning with EXTERNAL MODULATION. The major circuit changes are made by the sections of the MOD-XTAL & METER SELECTOR switch (S102), when it is turned to the EXT position as follows:

(1) Section S102D EXT connects the EXT MOD IN jack (J105) and the external audio signal through the r-f decoupling filter (L124, C170) across the parallel combination of fixed resistor R164 and gain control (% MOD) R165. The signal is then coupled from the arm of R165 through coupling capacitor (C165) to the grid of the CATHODE FOLLOWER stage (V107), which then functions as explained in paragraph 3c of this section.

(2) Section S102B EXT grounds the output of the second amplifier of the MODULATION OSCILLATOR (V106) at the junction of coupling capacitor (C163) and isolating resistor (R164). This also places R164 in parallel with variable resistor (% MOD.) R165, making the input resistance for external modulating voltages at J105 equal to 33K ohms (approx.).

(3) Section S102A EXT completely disables the MODULATION OSCILLATOR (V106) by directly grounding the grid of the first amplifier.

(4) Section S102C EXT completes the switching of the EXTERNAL MODULATION function by connect-

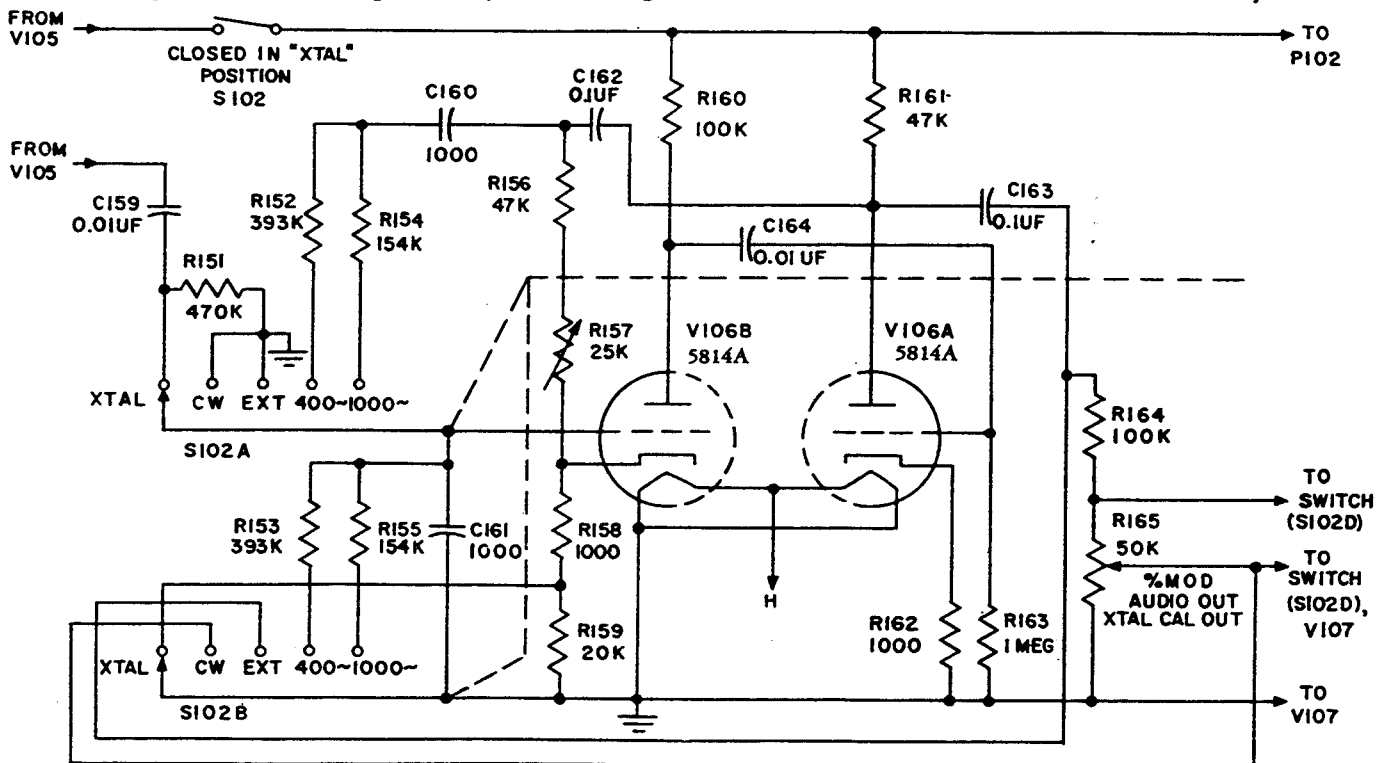


Figure 2-5. Simplified Schematic Diagram of the Modulation Oscillator

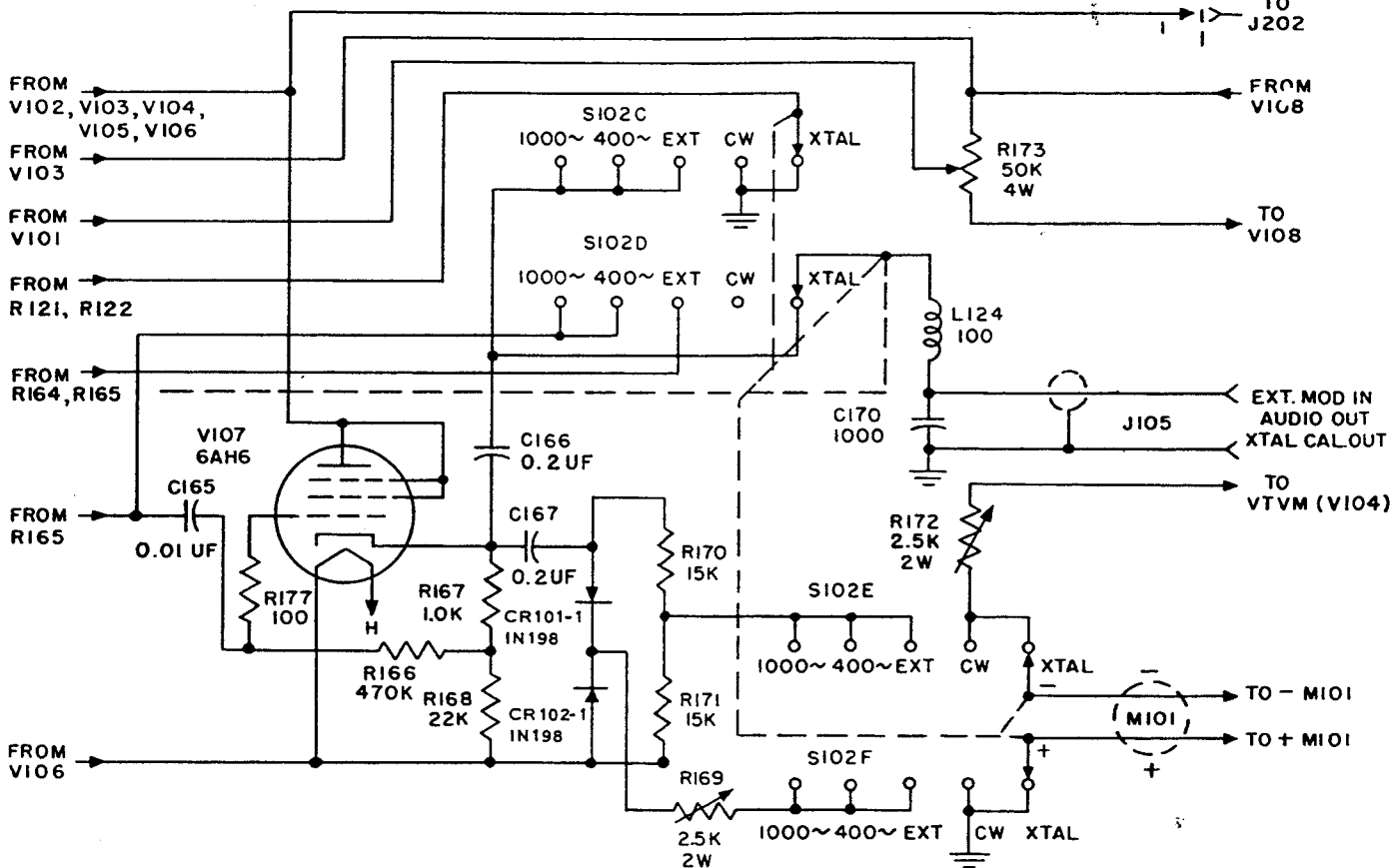


Figure 2-6. Simplified Schematic Diagram of the Modulation Cathode Follower and Crystal Rectifier

ing the audio modulation output of the CATHODE FOLLOWER stage (V107) to the grid circuit (R121, R122) of the modulated OUTPUT AMPLIFIER (V103) in the SIGNAL CHANNEL.

(5) The OUTPUT METERING (M101) circuit performs the same function during the external modulation that it does when internal modulation is being used. See paragraph 3d of this section.

## 5. CRYSTAL CALIBRATION.

### a. GENERAL.

The purpose of the CRYSTAL CALIBRATION function of the signal generator is to provide a means by which the operator can by the use of a vernier dial control, interpolate the frequency of signals between dial divisions (Section 4, par. 4). It is of greatest use in the higher frequency range. The frequency of the crystal oscillator has been adjusted by comparison with a frequency standard. The accuracy of the signal oscillator frequency, when determined in this manner, is 0.05 percent. The major harmonics, spaced 1 mc apart, are indicated by the loudest beat notes.

### b. CRYSTAL CALIBRATOR (See figure 2-9).

The CRYSTAL CALIBRATOR is located in the oscillator compartment of the signal generator. It uses a type 5750 (V105) performing the dual functions of a triode

crystal oscillator and a mixer stage. The stage is supplied operating d-c voltage only when the MOD-XTAL & METER SELECTOR (S102) is in the XTAL position. In the crystal oscillator portion of V105 the No. 2 grid (pin 6) acts as the plate of a triode, with the No. 1 grid (pin 1) and the cathode (pin 2) forming the remainder of the triode. The crystal oscillator circuit is a grounded plate type. The positive operating voltage is supplied to the No. 2 grid via R145, which is kept at r-f ground potential by capacitor C155. The common cathode reactance, resulting from the combination of capacitor C156 and coil L121, provides the grid-plate circuit feedback necessary to sustain oscillation. The frequency of oscillation is controlled by the quartz crystal Y101, with slight correction enabled, when necessary, by the variable capacitor (C158). The control grid is returned to ground by resistor R147. A small fraction of the r-f signal from the CARRIER OSCILLATOR is taken from the output coupling capacitor (C119) by a high resistance voltage divider (R176 and R148) and injected into the mixer grid (pin 7) of the tube V105. The plate (pin 5) current is modulated by both the frequency from the 1-mc crystal oscillator, and the frequency injected from the CARRIER OSCILLATOR (V101). This mixing of the two signals and their harmonics results in sum and difference beat notes. The audio frequency difference is selected in the plate circuit through bypassing the

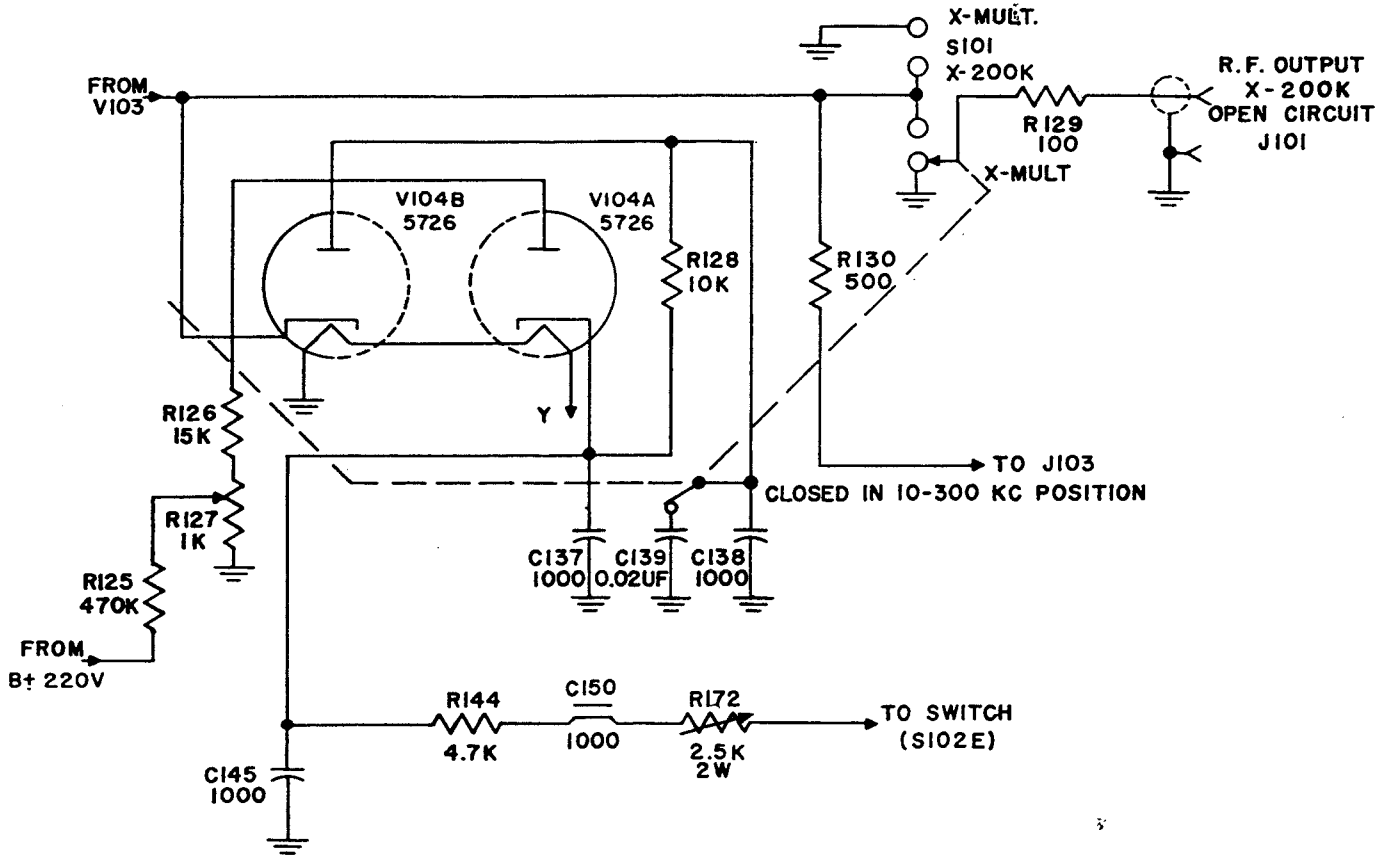


Figure 2-7. Simplified Schematic Diagram of the Vacuum Tube Voltmeter

radio frequency components to ground. Capacitor C152 performs this function. Resistor R146 is the plate load impedance. The audio beat note is coupled via the low-pass filter (R150, C154) through coupling capacitor (C159) to the grid circuit of the BEAT AMPLIFIER (V106).

c. BEAT AMPLIFIER.

When the MOD-XTAL & METER SELECTOR (S102) is placed in XTAL position, the function of the twin-triode tube (V106) is switched from its alternate function as a MODULATION OSCILLATOR to that of a two-stage beat amplifier. The audio beat output voltage from the CRYSTAL CALIBRATOR (V105) stage is applied through XTAL contact of switch (S102A) to the grid (pin 7) of the first amplifier section (pins 6, 7, and 8) of the stage. The grid is returned to ground by R151. Cathode bias is developed across resistor R158. Resistor R159, formerly used in the negative feedback path of the oscillator circuit, is shorted by the XTAL contact of S102B. The output of the first amplifier is coupled by C164 to the grid (pin 2) of the second amplifier. The grid is returned to ground through R163. Bias is furnished by the voltage drop across the cathode resistor (R162). The output signal of the BEAT AMPLIFIER stage is developed across the plate load resistor (R161) and after the coupling capacitor (C163), it appears across the series combination of resistor R164 and the gain control (R165) in its XTAL CAL OUT

function. The arm of the gain control (R165) is connected to a coupling capacitor (C165) which introduces the signal at the grid of the CATHODE FOLLOWER stage.

d. CATHODE FOLLOWER.

The cathode follower stage (V107) performs basically as described in paragraph 3c of this section. However, the signal output is routed differently. The audio beat signal is coupled from the cathode via capacitor C166 through the XTAL contact of switch (S102D) to jack (J105) acting in its XTAL CAL. OUT function. This connection facilitates monitoring of the audio beat frequencies with headphones or other indicating device.

6. VARIABLE RF ATTENUATOR

(See figure 2-8).

a. The RF attenuator circuit consists of step attenuator AT101 and potentiometer MICROVOLTS control (R119). Both controls vary the carrier voltage applied to the X MULT RF OUTPUT jack (J102) but only the MICROVOLTS control (R119) affects the voltage at the X-200,000 RF OUTPUT jack (J101). The value of the voltage at the X MULT RF OUTPUT jack (J102) is determined by multiplying the meter (M101) reading by the indicated position of the RF MULTIPLIER (E118). The entire circuit is effectively resistive so that the attenuation introduced is substantially independent of frequency within the limits of the instrument. The

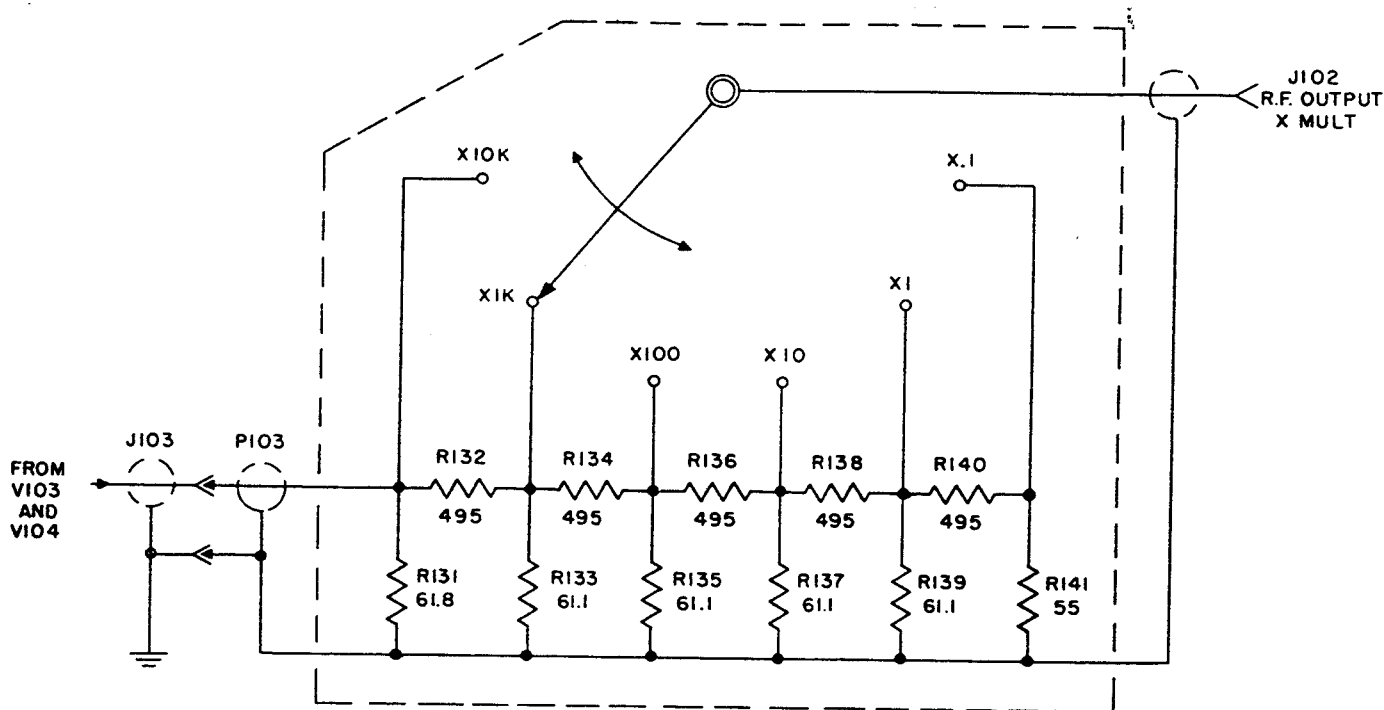


Figure 2-8. Simplified Schematic Diagram of the Step Attenuator

output impedance of the attenuator system as taken from the X MULT RF OUTPUT jack (J102) is constant at 50 ohms for any position of the attenuator RF MULTIPLIER (E118). The attenuator (AT101) and associated circuit are shown schematically in figure 2-8.

b. The X-200,000 RF OUTPUT jack (J101) voltage is taken from the output amplifier stage (V103) and is not attenuated by the step attenuator (AT101). The voltage developed across this jack depends upon the setting of the carrier control (R173) and MICROVOLTS control (R119) and its output impedance is constant at 500 ohms.

c. Whenever the frequency of the signal generator is changed, reset the X-200,000 RF OUTPUT jack (J101) voltage for a meter reading of "10", by rotating the MICROVOLTS control (R119) fully clockwise and then rotating the carrier control (R173) in a clockwise direction until the meter reads "10", this represents two volts open circuit output from J101.

d. The step attenuator (AT101) attenuates the output from the X MULT RF OUTPUT jack (J102) in steps of ten as indicated on the front panel by RF MULTIPLIER knob (E118). The voltage at J101 will not be affected by the position of this knob.

e. The useful output voltage from the X MULT RF OUTPUT jack (J102) is always based on terminating this jack in its characteristic impedance (50 ohms); thus, when the output from J102 is fed to a receiver under test, with the impedance properly matched, the reading on the signal generator meter will indicate the input voltage to the receiver under test. This is discussed more fully

in section 2 paragraph 7, TERMINATING THE SIGNAL GENERATOR.

f. When the voltage from V103 is set at "10" on the meter, the maximum output from the X MULT RF OUTPUT jack (J102), when correctly terminated (50 ohms) will be 0.1 volts while open circuit voltage at J101 will be 2 volts. Adjustments in steps of 10 are obtained for each step of the attenuator (AT101), at the output from the X MULT RF OUTPUT jack (J102) by rotating R119. The output voltage from this jack is determined in microvolts by multiplying the meter (M101) reading by the corresponding position of the RF MULTIPLIER knob (E118). Since the accuracy of all meters is expressed in terms of percentage error for full scale deflection, the technician should avoid using the meter calibrations below "2". Use the (5:1) Fixed Attenuator CN-223/URM-25D whenever a meter voltage indication in this range is required. This attenuator is discussed more fully in paragraph 8 of this section.

g. For any particular carrier frequency, once the carrier control (R173) has been rotated to give the required "10" meter indication, its setting should never be changed. The output from each attenuated step and from the X-200,000 RF OUTPUT jack (J101) is varied by adjusting the MICROVOLTS control (R119). Whenever the generator frequency is changed, however, the carrier control must be reset to give the required "10" meter indication. This adjustment is made only after R119 has again been rotated to the fully clockwise position.

h. When R173 and R119 have been adjusted to introduce a two volt signal (M101 reads "10" and J101

unterminated) to the step attenuator (AT101), the series voltage dropping resistor (R130) reduces this voltage to 0.2 volts. The maximum output voltage available from the X MULT RF OUTPUT jack (J102) when this jack is terminated in 50 ohms, will, therefore, be 0.1 volts. This will also be the maximum input voltage from this jack to a properly matched receiver under test. (See Section 2, par. 7). It is this voltage, under terminated conditions, that is actually indicated on M101. The MICRO-VOLTS control (R119) provides smooth control of the voltage applied to the step attenuator.

i. The step attenuator (AT101) is a six section ladder resistance network and its output is attenuated in six steps. With the MICROVOLTS control (R119) and the attenuator (AT101) in combination, any desired voltage between zero and 100,000 microvolts can be obtained at the X MULT RF OUTPUT jack (J102) when the jack is terminated in its characteristic impedance (50 ohms). The input voltage to the receiver under test is thus determined by multiplying the meter (M101) reading (upper scale) by the decimal multiplier indicated by the position of the RF MULTIPLIER knob (E118). The lowest calibrated output voltage is 0.1 microvolts.

**7. TERMINATING THE SIGNAL GENERATOR.**

a. The termination principles herein discussed are based on the assumption that the load is essentially resistive in nature. This is true for most applications for which this equipment is used in the field. In cases where

the load is not resistive, it will be necessary for the technician to interpret these principles with respect to the nature of the load.

b. Cable W104 has a capacitance of 29 mmf/ft or a total capacitance of 113.5 micromicrofarads for the entire length. The resultant reactance would have no appreciable effect on the output of J102 at frequencies below 1 mc and, therefore, standing waves do not introduce a termination problem at these frequencies.

c. At frequencies greater than one megacycle, the decrease in cable reactance begins to introduce a pronounced shunting effect on the 50 ohm generator terminal (J102) impedance and it becomes necessary to correctly terminate the receiving end of W104 in order to eliminate standing waves. There is no need to terminate the signal generator end of the cable since its characteristic impedance of 50 ohms is the same as the characteristic impedance across J102.

**8. (5:1) FIXED ATTENUATOR CN-223/URM-25D**  
(See figure 2-10)

a. The schematic diagram of the 5:1 fixed attenuator is shown in figure 2-10. This attenuator is designed to be used when the input impedance of the receiver under test is 50 ohms, and consists of three resistors (R301, R302, R303) connected in a pi-network to give an equivalent resistance of 50 ohms when properly terminated in 50 ohms. It can readily be calculated that the output terminal voltage of this attenuator unit will be

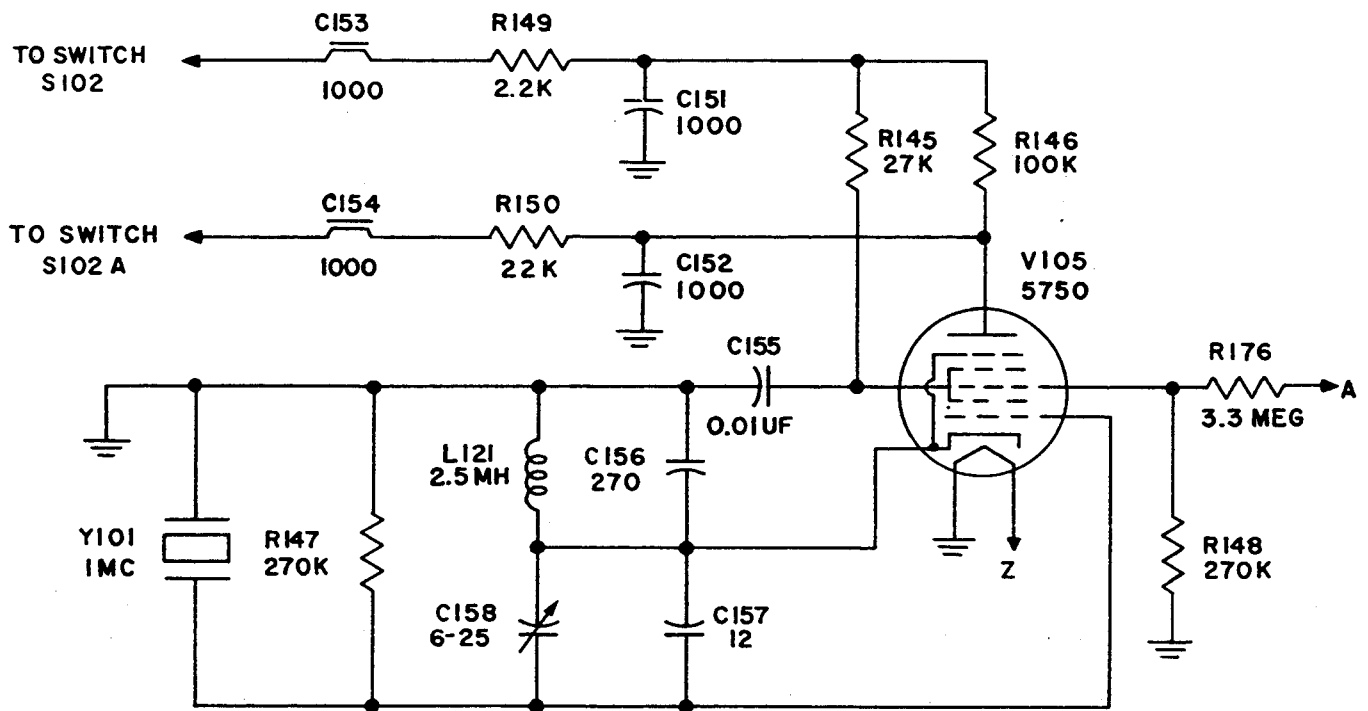


Figure 2-9. Simplified Schematic Diagram of the Crystal Calibrator

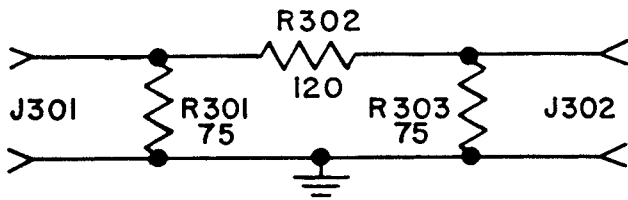


Figure 2-10. Schematic Diagram of the (5:1) Fixed Attenuator CN-223/URM-25D

one-fifth its input voltage when the CN-223/URM-25D is properly terminated in 50 ohms. It therefore follows that the voltage output from the fixed attenuator will be one fifth the voltage indicated by M101.

b. The 5:1 fixed attenuator is designed for a 50 ohm terminating impedance and should be used in conjunction with the X-MULT RF OUTPUT jack (J102), never with the X-200,000 RF OUTPUT jack (J101).

c. A (10:1) fixed attenuator CN-224/URM-25D, similar in construction to the 5:1 fixed attenuator, is provided to check the step attenuator positions.

9. TEST LEAD CX-1363/U

(See figure 2-11).

a. The capacitor network is inserted to protect the step attenuator (AT101) of the signal generator from accidental test probing at points of B+ potential and should always be used when making interstage receiver tests.

b. The reactance of the test lead capacitors should not normally affect the accuracy of the meter (M101) voltage indication since, in most cases, the impedance at receiver interstage measurement points will be high. It must be

realized, however, that when the CX-1363/U is used at test points of low impedance (below 400 ohms) the meter indication can no longer be depended upon to reflect the actual signal voltage applied.

10. POWER SUPPLY PP-977/URM-25D

(See figure 2-12).

a. The plate supply voltage derived from the high voltage secondary and rectifier tubes (points "PQ" on figure 2-12) is approximately 220 volts DC and must be reduced to the required 150 volts DC regulated supply for tubes V101 and V103. This voltage drop is achieved by the DC series dropping resistor (R201). A pi filter network consisting of a choke (L201) and three 4 microfarad capacitors (C201, C202, C203) is provided as a ripple filter. The two capacitors (C202, C203) are connected in parallel to increase the effective capacitance. A single 8 microfarad capacitor would introduce a problem of physical location. An additional 0.15 microfarad capacitor (C204) is inserted in parallel with L201 to form a 120 cycle resonant filter. This resonant filter lowers the 120 cycle power supply hum level.

b. In a regulator tube such as the OA2 (V108), the voltage across the tube (150vDC) remains constant over a fairly wide range of current (5 to 30ma) through the tube. This property exists because the degree of ionization of the gas in the tube varies with the amount of current that the tube conducts. When a large current is passed, the gas is highly ionized and the internal impedance of the tube is low. When a small current is passed, the gas is ionized to a lesser degree and the internal impedance is high. Over the operating range of the tube, the product (IxR) of the current through the tube and the internal impedance of the tube is prac-

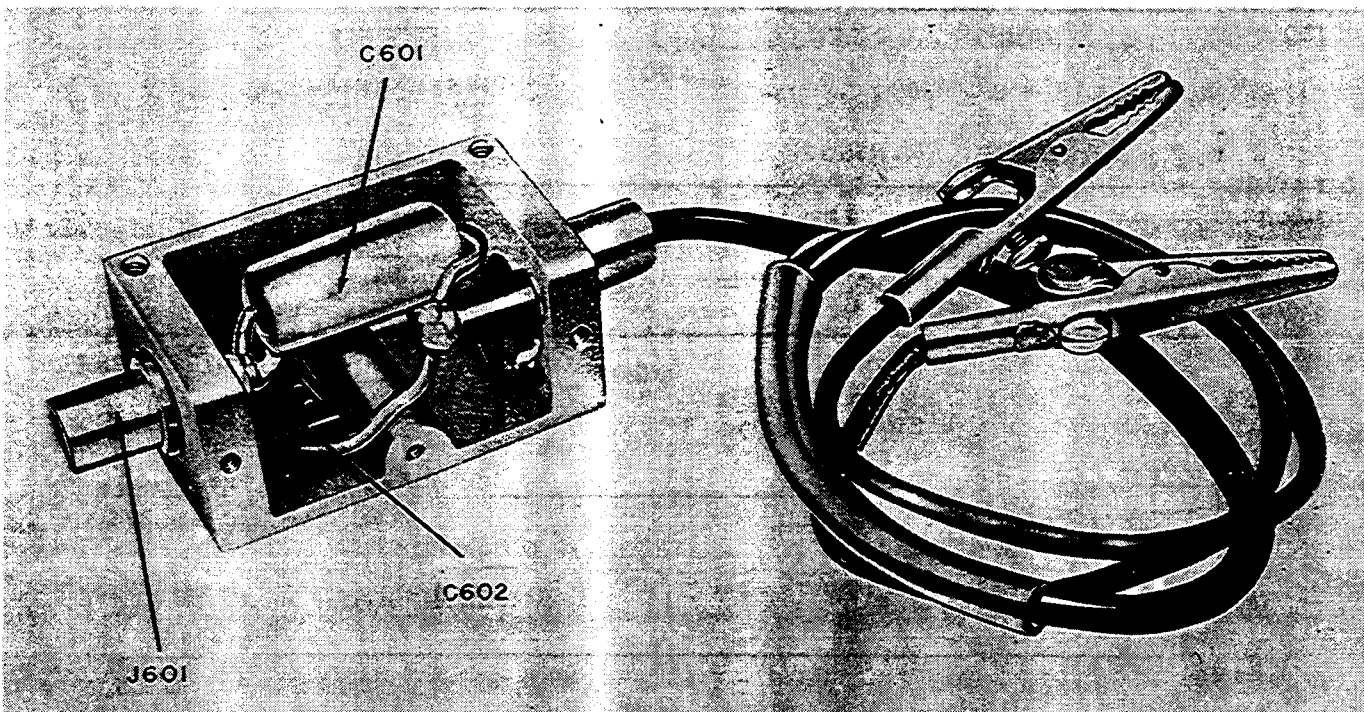


Figure 2-11. Test Lead CX-1363/U



SECTION 3  
INSTALLATION

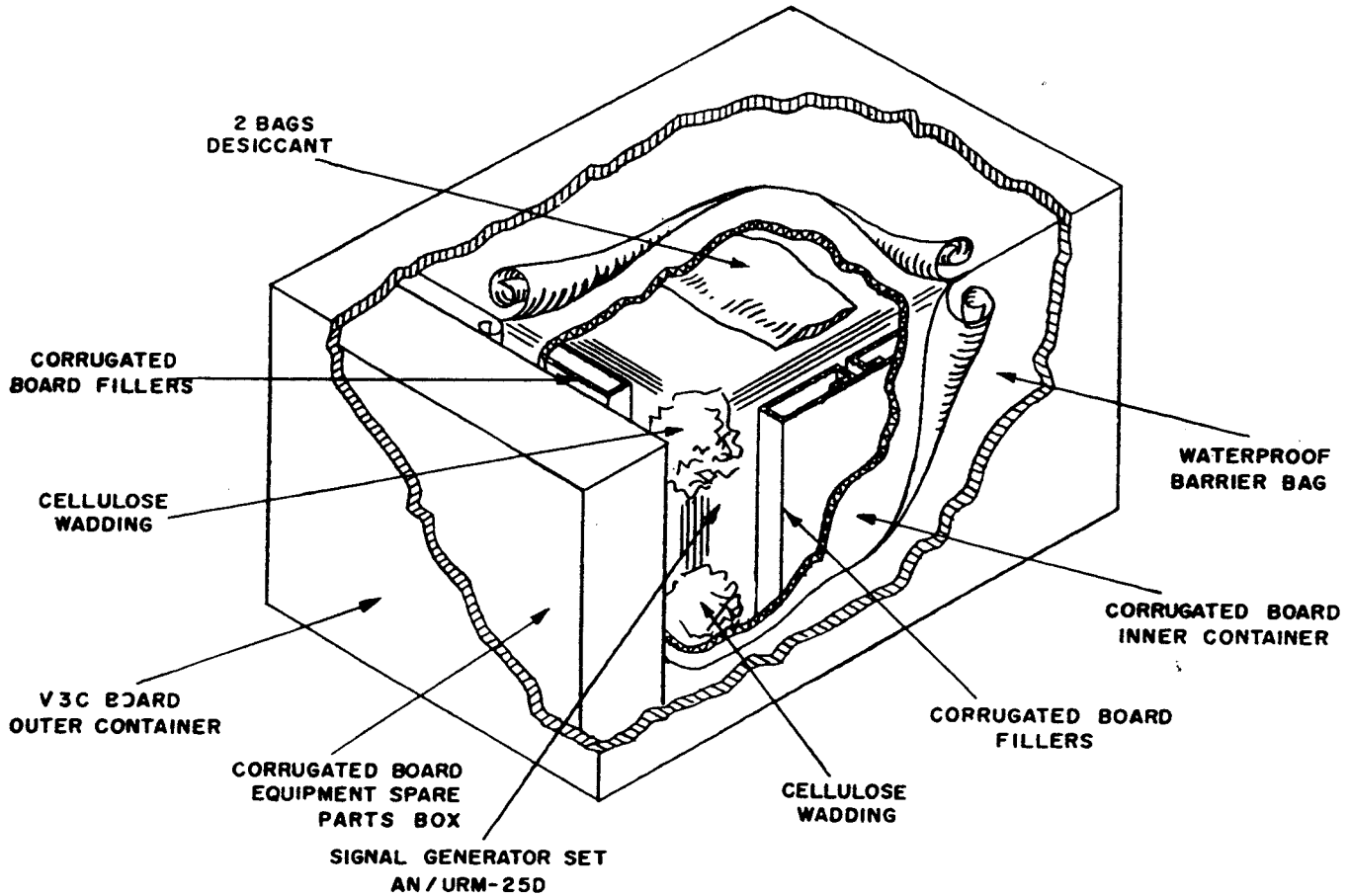


Figure 3-1. RF Signal Generator Set AN/URM-25D, Packaging Diagram

1. UNPACKING.

a. The AN/URM-25D is packed in a V3C board box together with a set of equipment spares. Electron tubes are shipped in place. The Signal Generator with accessories and the set of spares are individually enclosed in separate, specially cushioned cardboard cartons. Great care should be exercised in removing these items (figure 3-1).

b. The location of the accessories in the signal generator carton is as follows (See Section 1, figure 1-1):

(1) Antenna Simulator SM-35/URM-25, (5:1) Fixed Attenuator CN-223/URM-25D, (10:1) Fixed Attenuator CN-224/URM-25D, Impedance Adapter MX-1487/URM-25D, Test Lead CX-1363/U, Coaxial Adapter UG-201A/U (P801), and instruction book will be found on the inside of the panel cover. An aluminum plate with ferrule clips is provided for mounting these units.

(2) Output cables W104, W105, and W106 are also mounted on this aluminum plate.

c. Dimensions of the signal generator are shown in Figure 3-2.

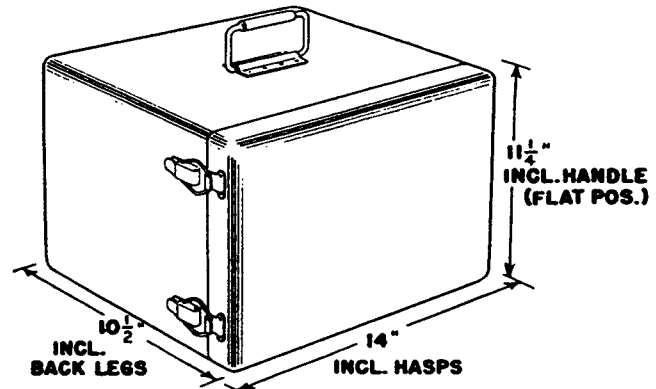


Figure 3-2. RF Signal Generator Set AN/URM-25D Outline Dimension Drawing



**2. INSTALLATION.**

*a.* The AN-URM-25D is a portable signal generator and does not require permanent installation.

*b.* The equipment is intended to be operated with the panel in the vertical position. Rubber supporting feet are provided for the cabinet. These feet protect the finished surface and serve to insulate the cabinet from a grounded desk. This insulation precaution, however, is not normally required.

*c.* The following preliminary settings and checks are required prior to placing the equipment in operation (Figure 4-1).

(1) Turn POWER switch (S103) to OFF position.  
(2) Turn Carrier control (E114) and AUDIO OUTPUT control (E115) to the fully counterclockwise positions.

(3) Insert end of power cable W101-1 into the power source of 115 volt AC.

**3. ADJUSTMENTS.**

*a.* All operating adjustments are described in Section 4-OPERATION.

## SECTION 4 OPERATION

### 1. GENERAL.

a. It is the purpose of the OPERATION section to instruct personnel in the proper use of the AN/URM-25D as a test instrument. To be thoroughly familiar with the method of operation, it is suggested that both Section 2 THEORY OF OPERATION and this section be read and studied.

b. In the development of this section, an attempt has been made to present each step in the logical sequence necessary to place the equipment in operation. If these steps are carefully adhered to, the operator will not only avoid damaging the signal generator but will be assured of a correct interpretation of the data as prescribed by the instrument. Table 4-3 is an operational summary of all front panel controls.

c. The essential details of operation and the necessary precautions to be taken are covered in this section under the following headings and paragraphs:

(1) Power Circuit Par. 2

(2) Setting the Meter Zero	Par. 3
(3) Setting Carrier Frequency	Par. 4
(4) Crystal Calibrator	Par. 5
(5) Adjusting Output Voltage	Par. 6
(6) Internal Modulation	Par. 7
(7) External Modulation	Par. 8
(8) Terminating the Signal Generator	Par. 9
(9) Coupling to the Receiver Under Test	Par. 10
(10) Use of Antenna Simulator SM-35/URM-25	Par. 11
(11) Use of Variable RF Attenuator	Par. 12
(12) Use of (5:1) Fixed Attenuator CN-233/URM-25D	Par. 13
(13) Use of (10:1) Fixed Attenuator CN-224/URM-25D	Par. 14
(14) Summary of Operation	Par. 15
(15) General Instructions for Use	Par. 16

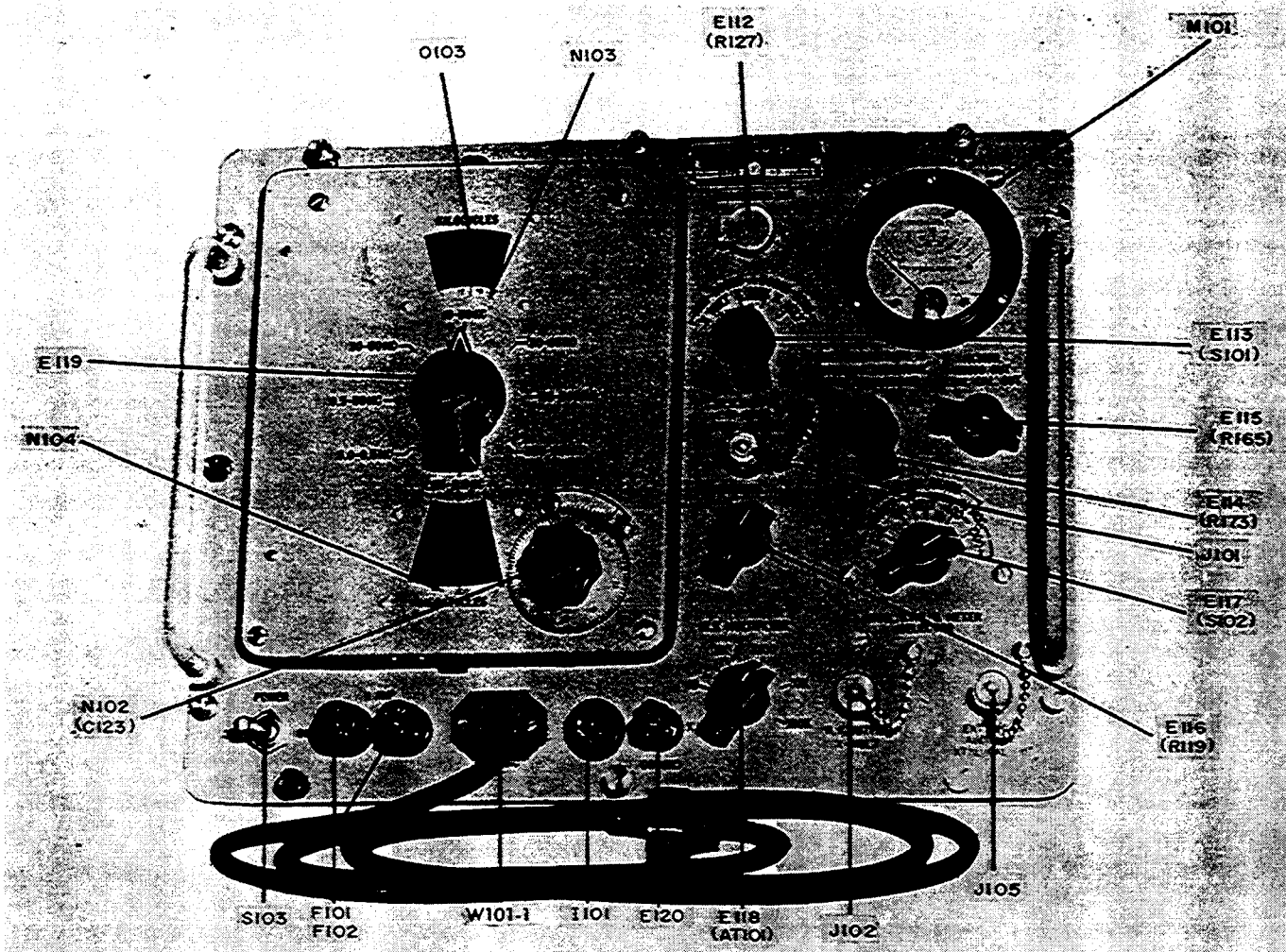


Figure 4-1. RF Signal Generator SG-85/URM-25D

## 2. POWER CIRCUIT.

a. The carrier control knob (E114) and audio output control knob (E115) should be turned fully counterclockwise before turning the POWER switch (S103) to the ON position.

b. Plug the power cable (W101-1) into the 115 volt AC source.

c. Turn the POWER switch (S103) to the ON position. Line voltage is now applied through the interconnecting power cable (W102) to the primary of the power transformer (T201). This is shown schematically in figure 6-24.

d. No other power switches are provided and the signal generator is now in operating condition. A minimum 15-minute warm-up period should then be allowed prior to setting the generator for use. This period permits the instrument to reach a stable operating state.

## 3. SETTING THE METER ZERO.

### Note

Meter M101 is a hermetically sealed unit and the zero adjusting screw has been covered with solder. Due to variations in the temper of the meter movement spring, M101 may not always read zero (meter needle on first line to the left) before the signal generator is turned on. If this condition exists, make the necessary zero setting, using soldering iron as a screwdriver, before applying power to the signal generator.

a. (1) Set the carrier control (E114) and the audio output control (E115) fully counterclockwise.

(2) Plug power cable (W101) into power receptacle (J104) with other end of power cable inserted into 115 volt AC power source.

(3) Turn the POWER switch (S103) to ON. Allow a 15-minute warm-up period.

(4) The meter (M101) should read zero in CW position of MOD-XTAL & METER SELECTOR.

b. If the meter does not read zero, adjust it by turning CARRIER METER ZERO control (under the cover E112), using a screwdriver.

## 4. SETTING CARRIER FREQUENCY.

a. Whenever setting the frequency of the signal generator, be sure that the MOD-XTAL & METER SELECTOR knob (E117) is set to the CW position and the carrier control (E114) is turned fully counterclockwise. The carrier range knob (E113) should be set to the X-MULT position of the corresponding frequency range.

b. The desired frequency is selected by setting the frequency band switch (E119) and turning the main frequency tuning dial (N102). The frequency is then read from the frequency scale (N103). If greater accuracy is required, this reading may be interpolated by utilizing the index scale of N103, and the reading indicated on the tuning dial (N102) (See par. 5c).

c. Eight frequency bands are available and can be selected by E119. A scale mask (0103) is linked to this switch so that only the band scale selected will be made visible.

d. The index scale calibrated from 0 to 1000 is located at the bottom of the frequency scale dial and is visible in all positions of the frequency band switch (E119).

e. The main tuning dial (N102) is calibrated from 0 to 100. One complete revolution of this dial will move the frequency scale (N103) 100 divisions on the index scale. The index scale (N104) and tuning dial interpolation are discussed in paragraph 5c of this section.

\* f. The following procedure should be used for selecting the operating frequency of the signal generator.

(1) Turn the carrier control (E114) to the fully counterclockwise position.

(2) Set the frequency band switch (E119) to the desired frequency band.

(3) Turn main tuning dial (N102) until the desired value on the frequency scale (N103) coincides with the hair-line indicator.

b. A double hairline is provided for eliminating parallax errors. The operator should read the frequency on a straight line of vision so that both hairlines appear to merge as a single line.

## 5. CRYSTAL CALIBRATOR.

a. GENERAL. An integral crystal calibrator (V105) is provided for checking RF frequency of the signal generator between 1 mc and 50 mc. This calibrator should be used whenever it is desired to obtain an accuracy within  $\pm 0.05\%$ . For best results, closely follow the procedure below.

### b. PROCEDURE.

(1) Set the signal generator to the approximate desired frequency (See par. 4f).

(2) Set MOD-XTAL & METER SELECTOR (E117) to XTAL position.

(3) Connect a pair of earphones to EXT MOD IN jack (J105), using 5" cable W105 and Connector Adapter (P901).

(4) Set MICROVOLTS control (E116) fully clockwise.

(5) Adjust carrier control until meter reads "10" (full scale deflection).

(6) Select the nearest megacycle beats on either side of the desired signal and record the vernier dial (N101) readings at these points.

(7) Use audio output control (E115) as volume control, if necessary, to increase beat note audibility. Accurate frequency is found by the conventional interpolative method. (See example).

### c. EXAMPLE OF FREQUENCY INTERPOLATION (See figure 4-2).

(1) Assume that it is necessary to obtain a signal at 24.2 mc  $\pm 0.05\%$ .

(2) Select the zero beat closest to 24 mc. This might indicate a reading slightly less than "670" on the index

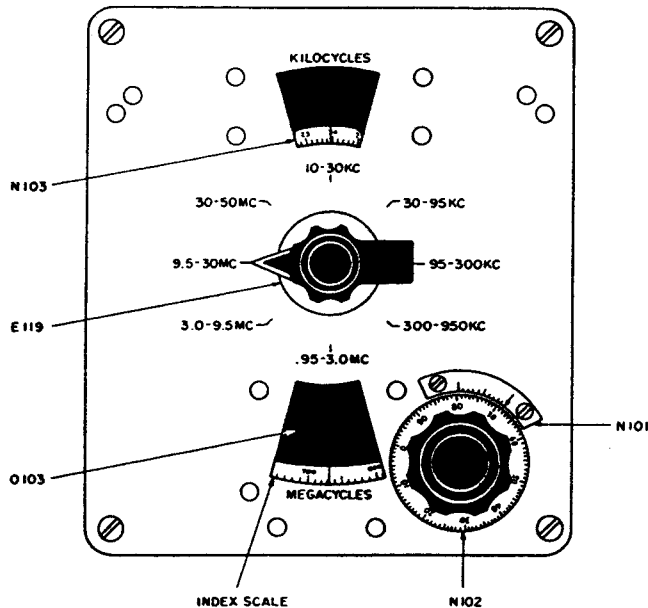


Figure 4-2. Diagram Showing Vernier Reading of Frequency Scale

scale. From figure 4-2 we see that the arrow on N101 points to somewhere between "68" and "69". We also see from this figure that the fifth line on N101 lines up with a marker on N102. The numerical setting at this crystal check point is therefore "668.5".

(3) Rotate the tuning dial N102 clockwise, passing the 24 mc marking, until the next zero beat is heard. This will appear 1 mc away from the first check point. Let us assume that this will occur at a vernier reading at 704.1. This represents a vernier difference of 35.6 for a one mc spread. The setting for a frequency of 24.2 mc represents a change of 0.2 megacycle from the lower check point. Thus  $0.2 \times 35.6$  dial divisions per megacycle = 7.12 dial divisions, add this to the vernier setting recorded for 24 mc (668.5). The vernier setting for 24.2 mc is then 675.6.

## 6. ADJUSTING OUTPUT VOLTAGE.

a. PRELIMINARY SETTINGS. Before the output voltage is adjusted the signal generator controls should be set in the following positions:

- (1) Carrier control and audio output control fully counterclockwise.
- (2) Plug power cable into the power receptacle.
- (3) Turn POWER switch to the ON position. Allow 15 minute warm-up periods.
- (4) Set MOD-XTAL & METER SELECTOR knob to CW position.
- (5) Carrier range knob to the appropriate position.
- (6) MICROVOLTS control fully clockwise.
- (7) Use frequency band switch to select desired frequency range, and set exact frequency desired on main tuning dial. If extreme accuracy is required, follow procedures described in par. 5.

(8) Make sure meter reads zero. If not, use CARRIER METER ZERO control to zero meter. (See par. 3 - SETTING THE METER ZERO).

### b. ADJUSTMENTS.

(1) Advance the carrier control in a clockwise direction until meter reads "10" on the upper MICROVOLTS scale. When using the X-MULT RF OUTPUT, select the attenuation range with the RF MULTIPLIER knob and adjust the MICROVOLTS control for the desired output voltage. This voltage is determined in microvolts by multiplying the meter reading by the indicated position of E118 when the generator output cable is terminated in its characteristic impedance of 50 ohms.

(2) When changing the frequency, readjust the carrier control (E114) for a meter reading "10" with the MICROVOLTS control (E116) returned to the fully clockwise position. Select the desired output voltage by rotating the MICROVOLTS control. Do not use the carrier control for this purpose.

(3) To avoid leakage, all jacks not in use should be covered by caps.

## 7. INTERNAL MODULATION AND AUDIO OUTPUT.

### a. INTERNAL MODULATION.

- (1) Follow the procedure described in paragraph 6.
- (2) Set audio output control (E115) fully counterclockwise.
- (3) Set MOD-XTAL & METER SELECTOR knob (E117) to the 400 or 1000 cycle position as required.
- (4) Adjust audio output control (E115) until the meter reads the desired percentage of modulation.

### b. AUDIO OUTPUT (400 or 1000 cycles).

- (1) Follow steps for internal modulation, except step (1).
- (2) Audio voltage proportional to reading on M101 is available at EXT MOD IN jack (J105). When the meter reads "50", approximately 2.5 volts open circuit are available.

## 8. EXTERNAL MODULATION.

- a. Follow the procedure described in paragraph 6.
- b. Set MOD-XTAL & METER SELECTOR knob (E117) to EXT position.
- c. Connect an external audio frequency source, using an accessory cable, to the EXT MOD IN jack (J105).
- d. Adjust audio output control (E115) for desired percentage of modulation on generator meter (M101). Do not modulate with frequencies above 1000 cycles for frequencies below 300 kc.

## 9. TERMINATING THE SIGNAL GENERATOR.

a. When the 50 ohm cable assembly (W104) is plugged into the X-MULT RF OUTPUT jack (J102) and terminated properly (50 ohms), no standing waves will be present. An impedance adapter MX-1487 URM-25D consisting of a 50 ohm composition resistor (R501), contained in a rectangular aluminum case (figure 4-3)

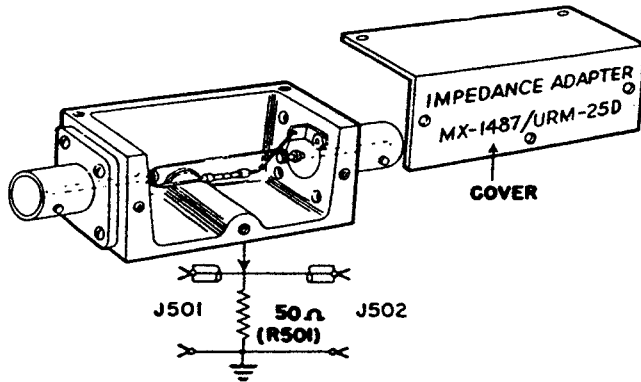


Figure 4-3. Impedance Adapter MX-1487/URM-25D

is supplied with the equipment. This unit has one UG-625A/U connector at each end and is inserted between the receiver under test and the receiver end of cable W104 when the receiver load impedance is at least ten times the generator output impedance (e.g. approximately 500 ohms).

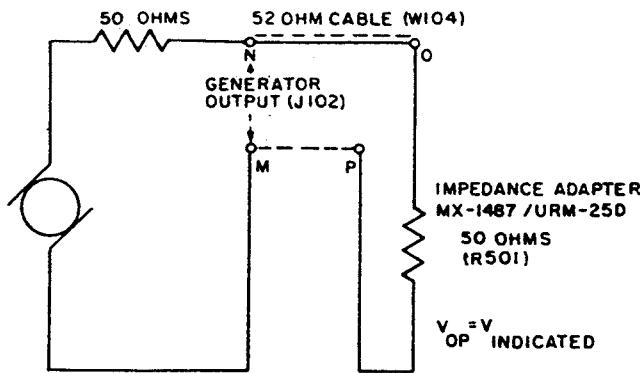


Figure 4-4. Equivalent Circuit of RF OUTPUT X-MULT (J102) with Impedance Adapter MX-1487/URM-25D added

b. It is apparent from figure 4-4 that the voltage appearing across this terminating resistor at points "OP" will be one half the open circuit voltage across the generator output at J102, represented by points

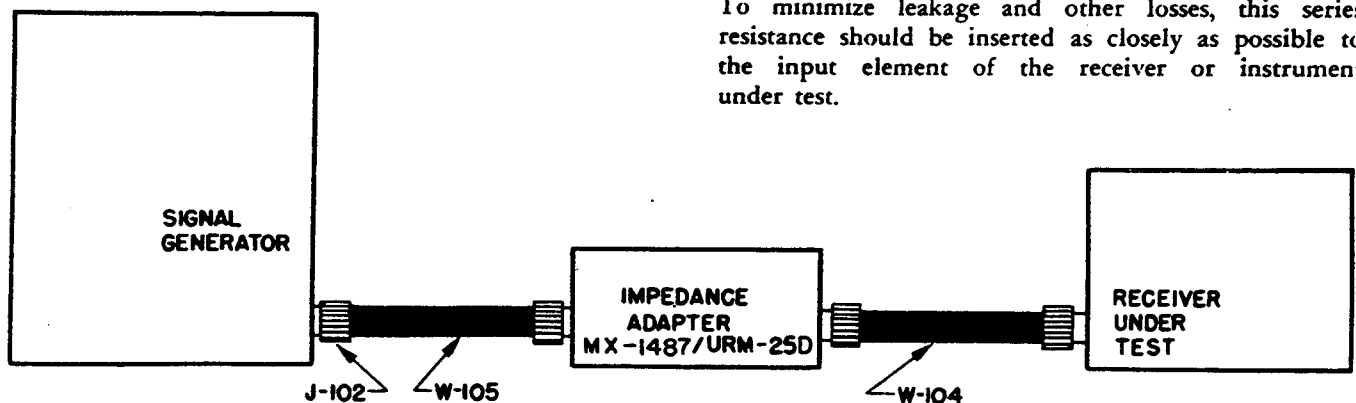


Figure 4-5. Method of Inserting Impedance Adapter MX-1487/URM-25D at J102

"MN". However, since the meter (M101) was calibrated with respect to a correctly terminated load, the reading on the meter will actually reflect the input voltage to the receiver under test. Figure 4-5 illustrates the method for inserting the impedance adapter.

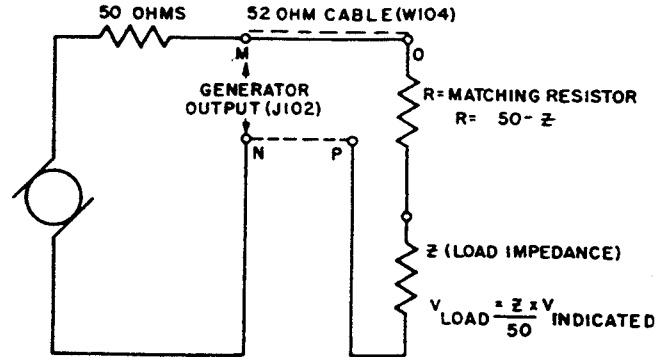


Figure 4-6. Equivalent Circuit of RF OUTPUT X-MULT (J102) with Series Matching Resistor Added

c. When the load impedance is less than 50 ohms, the impedance adapter cannot be used. In this case, a non-inductive composition resistor should be added in series with the input element at the receiver under test, so that the sum of the receiver input impedance and this resistor will be 50 ohms (figure 4-6). The total load impedance will then match the signal generator impedance at J102 and standing waves will be minimized. The actual receiver input voltage can then be calculated from the formula indicated in figure 4-6. When applying this procedure, it will probably be necessary to file down a larger standard resistor to get the precise value required. Use the Resistance Bridge ZM-4/U or equivalent to measure the resistance. For example, if the load impedance of the receiver (Z) is equal to 30 ohms, a series resistor (R) of 20 ohms must be added in series with the receiver. A meter (M101) indication of 10,000 microvolts will then represent an actual receiver input as follows:

$$E_{\text{load}} = \frac{Z}{50} \times M = \frac{30}{50} \times 10,000 = 6000 \text{ microvolts}$$

To minimize leakage and other losses, this series resistance should be inserted as closely as possible to the input element of the receiver or instrument under test.

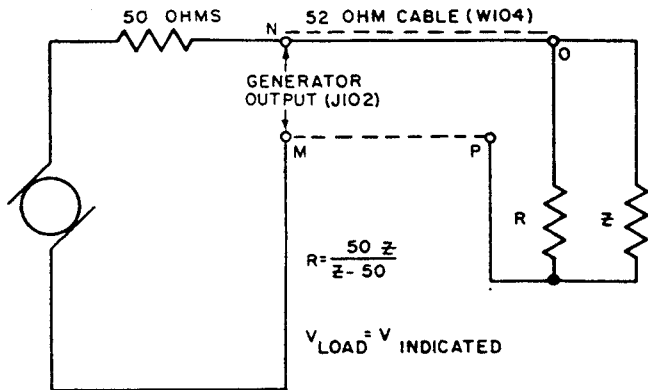


Figure 4-7. Equivalent Circuit of RF OUTPUT X-MULT (J102) with Shunt Resistor Added

d. If the load impedance is considerably less than 500 ohms, but more than 50 ohms, the impedance adapter is replaced by a non-inductive composition resistor which

shunts the load (figure 4-7). The equivalent impedance of the shunt and load should equal the generator impedance (50 ohms). The receiver input voltage will then be equal to the meter indication. For example, if the receiver input impedance (Z) is 120 ohms, select the correct shunt resistor (R) as follows:

$$R = \frac{50 \times Z}{Z - 50} = \frac{50 \times 120}{120 - 50} = \frac{6000}{70}; R = 85.07 \text{ ohms}$$

It is apparent that the meter (M101) indication will be the same as the actual input voltage to the receiver. If an accurate voltage indication is required, it will be necessary to file down a standard resistor until the desired value is obtained. Use the Resistance Bridge ZM-4 U or equivalent to determine when this value has been reached.

e. Tables 4-1 and 4-2 show the most desirable type of termination for any particular load impedance.

TABLE 4-1. REFERENCES FOR CORRECTLY TERMINATING THE GENERATOR AT J102

LOAD IMPEDANCE	METHOD	FIGURES	PARAGRAPH
Less than 50 ohms	Series Resistor	4-6	9c
50 ohms to approximately 500 ohms	Parallel Resistor	4-7	9d
500 ohms or greater	Impedance Adapter MX-1487 URM-25D	4-3; 4-4; 4-5	9a

TABLE 4-2. METHODS FOR CORRECTLY TERMINATING THE SIGNAL GENERATOR AT J102

TYPE OF INPUT	LOAD IMPEDANCE	CIRCUIT	ACCESSORY RESISTOR	VOLTAGE APPLIED TO LOAD IS:
I	LESS THAN 50 OHMS $Z_1$		$R_1 = 50 - Z_1$	$V_{INDICATED} \times \frac{Z_1}{50}$
II	FROM 50 OHMS TO APPROXIMATELY 500 OHMS $Z_2$		$R_2 = \frac{50 Z_2}{Z_2 - 50}$	$V_{INDICATED}$
III	500 OHMS OR MORE $Z_3$	MX-1487/URM-25D 	IMPEDANCE ADAPTER	$V_{INDICATED}$

**10. COUPLING THE RECEIVER UNDER TEST.**

a. X-MULT RF OUTPUT JACK (J102).—For best results, the terminations principles outlined in Tables 4-1 and 4-2 should be followed when using the 50 ohm output from J102. Cables W104, W105 and W106 are provided for making the necessary connections between units and should be used as required. Coaxial adapter UG-201A U is also supplied for use in adapting the BNC connectors on the signal generator cables to a type N connector found on many receivers.

(1) At Low RF levels it may be necessary to orient the ground connections to obtain best results. For this purpose ground terminal E120 should be used.

(2) Table 4-2 lists the correct methods for terminating the signal generator at J102. These methods apply to loads which are fundamentally resistive in nature. The application principles are discussed in Section 2, par. 7.

b. X-200,000 RF OUTPUT JACK (J101).—The impedance at this jack is a resistance of approximately 500 ohms shunted by the capacitance of the jack (approximately 4 mmf). Below 8 mc this jack shunt reactance has no appreciable effect on the voltage obtainable from J101. At 40 mc, however, the reactance due to the shunt capacitance is only 1000 ohms, and a 30% attenuation of signal voltage will be present at this frequency. In any event, a maximum 2 volts across a high impedance load should be available at J101 for all frequencies. It is reemphasized at this point that the termination methods outlined in Table 4-2 do not apply to this jack since the impedance at J101 is 500 ohms. When using the X-200,000 RF OUTPUT, the output voltage in microvolts is determined by multiplying the meter (M101) reading by 200,000. This will be the actual voltage across a high impedance load.

**CAUTION**

Care must be taken to prevent the introduction of voltages back into the attenuators or impedance adapter from the circuit under test. Currents greater than 20 milliamperes may burn out the resistances incorporated within these units. Always insert the Test Lead CX-1363 U whenever making point-to-point measurements in a receiver. This precaution is not necessary when using the antenna simulator, which contains a series capacitor.

**11. USE OF ANTENNA SIMULATOR SM-35/URM-25**  
(See figure 4-8).

a. The Antenna Simulator SM-35/URM-25 is used when making overall measurements or tests on a receiver designed for use with a standard antenna (par. 16f of this section). The antenna simulator merely approximates the conditions that would exist had the signal been applied to the antenna circuit of the receiver and, therefore, the significant voltage is the input voltage to the simulator and not the input voltage to the receiver.

ORIGINAL

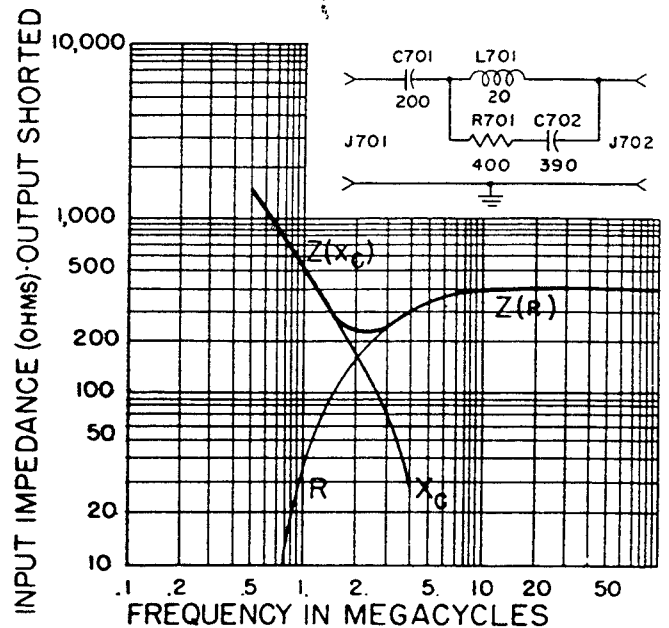


Figure 4-8. Schematic Diagram of the Antenna Simulator SM-35/URM-25 with Input Impedance Frequency Curve

b. Connect the output cable (W104) to the X-MULT RF OUTPUT jack (J102) and terminate this cable with the Impedance Adapter MX-1487 URM-25D. Connect the antenna simulator to the impedance adapter with cable W105 and to the receiver under test with cable W106.

c. It can be seen from figure 4-8 that the minimum impedance of the antenna simulator will be approximately 220 ohms at 2 mc. This impedance becomes much higher at lower frequencies and approaches 400 ohms at higher frequencies. In using the meter (M101) of the signal generator it should be realized that a 20 percent maximum error may be introduced at 2 megacycles. If greater meter accuracy is required when using the antenna simulator, the actual impedance of this unit should be calculated from figure 4-8 at the frequency selected.

d. From the impedance curve (figure 4-8), it can be seen that the minimum impedance of the antenna simulator will be approximately 220 ohms. When using this unit, first connect one end of the Impedance Adapter MX-1487 URM-25D to the output cable (W104) and plug the other end of W104 into J102 on the signal generator. Using the auxiliary cable (W105), connect the antenna simulator to the impedance adapter. If necessary, the second auxiliary cable (W106) may then be used to connect the antenna simulator to the receiver under test.

e. In using the antenna simulator, it should be realized that the significant voltage is the input and not output voltage of the antenna simulator. The reason for this is that the antenna simulator approximates a standard antenna which forms a part of the overall sensitivity measurement of a receiver designed for use with it. For example, if the output frequency of the signal generator

is 20 mc, it can be seen from figure 4-8 that the series impedance of the antenna simulator will be approximately 400 ohms resistive. Make the necessary connections as indicated in paragraph 9 of this section. A meter indication of 10,000 microvolts represents an input voltage of 10,000 microvolts to the antenna simulator.

f. For accurate receiver output voltage indication it should be remembered that the total load impedance represented by the antenna simulator in series with the load of the instrument under test should be at least 500 ohms. From figure 4-8 it is apparent that the accuracy will be sufficiently good at frequencies above 5 mc. Below 5 mc, the impedance falls off to approximately 220 ohms and the receiver input load should be sufficiently high (approximately 280 ohms or greater) to maintain the accuracy.

## 12. USE OF VARIABLE RF ATTENUATOR.

a. Whenever the frequency of the signal generator is changed, reset the X-200,000 RF OUTPUT jack (J101) voltage by rotating the MICROVOLTS control (R119) fully clockwise and then rotating the carrier control (R173) in a clockwise direction until the meter reads "10". This represents two volts open circuit output from J101.

b. The step attenuator (AT101) attenuates the output from the X-MULT RF OUTPUT jack (J102) in steps of ten as indicated on the front panel by RF MULTIPLIER knob (E118). The voltage at J101 will not be affected by the position of this knob.

c. The useful output voltage from the X-MULT RF OUTPUT jack (J102) is always based on terminating this jack in its characteristic impedance (50 ohms); thus, when the output from J102 is fed to a receiver under test, with the impedance properly matched, the reading on the signal generator meter will indicate the input voltage to the receiver under test. This is discussed more fully in paragraph 9.

d. When the voltage from V103 is set at "10" on the meter, the maximum output from the X-MULT RF OUTPUT jack (J102), when correctly terminated (50 ohms), will be 0.1 volts, while open circuit voltage at J101 will be 2 volts. Adjustments in steps of 10 are obtained for each step of the attenuator (AT101) at the output from the X-MULT RF OUTPUT jack (J102) by rotating R119. The output voltage from this jack is determined in microvolts by multiplying the meter (M101) reading by the corresponding position of the RF MULTIPLIER knob (E118). Since the accuracy of all meters is expressed in terms of percentage error for full scale deflection, the technician should avoid using the meter calibrations below "2". Use the (5:1) Fixed Attenuator CN-223/URM-25D whenever a meter voltage indication in this range is required. This attenuator is discussed more fully in paragraph 13 of this section.

e. For any particular carrier frequency, once the carrier control (R173) has been rotated to give the required "10" meter indication, its setting should never be changed. The output from each attenuated step and from the X-200,000 RF OUTPUT jack (J101) is varied

by adjusting the MICROVOLTS control (R119). Whenever the generator frequency is changed, however, the carrier control must be reset to give the required "10" meter indication. This adjustment is made only after R119 has again been rotated to the fully clockwise position.

f. When R173 and R119 have been adjusted to introduce a two volt signal (M101 reads "10" and J101 unterminated) to the step attenuator (AT101), the series voltage dropping resistor (R130) reduces this voltage to 0.2 volts. The maximum output voltage available from the X-MULT RF OUTPUT jack (J102) when this jack is terminated in 50 ohms, will, therefore, be 0.1 volts. This will also be the maximum input voltage from this jack to a properly matched receiver under test. It is this voltage, under terminated conditions, that is actually indicated on M101. The MICROVOLTS control (R119) provides smooth control of the voltage applied to the step attenuator.

g. The step attenuator (AT101) is a six section ladder resistance network and its output is attenuated in six steps. With the MICROVOLTS control (R119) and the attenuator (AT101) in combination, any desired voltage between zero and 100,000 microvolts can be obtained at the X-MULT RF OUTPUT jack (J102) when the jack is terminated in its characteristic impedance (50 ohms). The input voltage to the receiver under test is thus determined by multiplying the meter (M101) reading (upper scale) by the decimal multiplier indicated by the position of the RF MULTIPLIER knob (E118). The lowest calibrated output voltage is 0.1 microvolts.

## 13. USE OF (5:1) FIXED ATTENUATOR CN-223/URM-25D.

a. The (5:1) Fixed Attenuator CN-223/URM-25D attenuates the output at J102 in a ratio of 5:1 when terminated in 50 ohms. It is very useful when using the meter (M101) at output levels below "2" where the instrument accuracy falls off. This applies to microvolt ranges below 20,000 mv, 2000 mv, 20 mv, 2 mv, or 0.2 mv as selected by the RF MULTIPLIER knob (E118) and MICROVOLTS control (E116). In these cases, insert the (5:1) fixed attenuator at the X-MULT RF OUTPUT jack (J102) and terminate it as outlined in Table 4-2 for the required 50 ohms. The terminated output voltage is 1/5 the voltage indicated by M101. The actual load voltage, however, will be 1/5 the meter indication only when the load impedance is exactly 50 ohms or greater than 500 ohms. For example, if a signal generator output of 20,000 microvolts into a 600 ohm load is desired, insert the fixed attenuator as follows:

- (1) Connect the fixed attenuator to J102 using cable W104.
- (2) Terminate the (5:1) fixed attenuator with the impedance adapter.
- (3) Set the RF MULTIPLIER knob (E118) to x 1K.
- (4) Set MICROVOLTS control (E116) and carrier control (E114) for "10" meter reading.



(5) The input to the load will be 20,000 microvolts.

b. If the load impedance is less than 50 ohms, it can be seen from Table 4-2 that the impedance adapter cannot be used, but the output from the (5:1) fixed attenuator must be fed to the load in series with the necessary resistor. The actual load voltage will then be something less than 1/5 the meter indication. For example, if a voltage of approximately 1200 microvolts with a load of 40 ohms is desired, insert a 10 ohm noninductive resistor in series with the load and (5:1) fixed attenuator. The meter setting should be:

$$v/\text{meter} = \frac{50}{Z} \times M \times 5 = \frac{50}{40} \times 1200 \times 5 = 150 \times 50 = \text{approximately } 7500 \text{ microvolts.}$$

c. Although this unit was designed primarily for use with a load impedance of 50 ohms, it may also be used when the receiver under test presents an impedance other than 50 ohms. In such case, it will be necessary to apply the terminating principles as outlined in paragraph 9 and in Tables 4-1 and 4-2 of this section. For example:

(1) If the load impedance is 1000 ohms, connect one end of W104 to J102 on the signal generator. Connect the other end of W104 to the fixed attenuator and terminate the fixed attenuator with the impedance adapter. The assembly is then connected to the load. A meter indication of 10,000 microvolts now reflects an actual load input voltage of 2000 microvolts.

(2) If the load impedance is 30 ohms do not use the impedance adapter. Insert a 20 ohm non-inductive resistor in series with the output of the fixed attenuator and then connect the 30 ohm load. A meter indication of 10,000 microvolts now represents an actual load voltage as follows:

$$E \text{ load} = \frac{Z}{50} \times \frac{M}{5} = \frac{30}{50} \times \frac{10,000}{5};$$

$$E \text{ load} = \frac{60,000}{50} = 1200 \text{ microvolts}$$

d. A coaxial adapter UG-201A/U is also provided with the equipment to allow for adapting the output cables type BNC connectors (i.e. UG-88/U) to a type N connector found on many receivers.

#### 14. USE OF (10:1) FIXED ATTENUATOR CN-224/URM-25D.

a. The (10:1) Fixed Attenuator CN-224/URM-25D attenuates the output at J102 in a ratio 10:1 when terminated in 50 ohms. This unit can be used when a high degree of voltage accuracy is desired for low level outputs on 30-50 mc band. There is no need for using the 10:1 attenuator on other bands or steps higher than X.1 on the RF MULTIPLIER.

Example (1) — Selecting an accurate output of 0.8 microvolts at 30 mc into a load of 500 ohms or greater.

(a) Set signal generator at 30 mc and RF MULTIPLIER at X1 range.

(b) Adjust MICROVOLTS control (E116) for reading of "8" on M101.

(c) Insert the 10:1 fixed attenuator at J102.

(d) Terminate 10:1 fixed attenuator with Impedance Adapter MX-1487/URM-25D.

(e) Feed the output from the impedance adapter to the receiver under test.

(f) Input voltage to receiver is now 0.8 microvolts.

Example (2) — Correcting a 0.8 microvolts output at 45 mc into load of 500 ohms or greater.

(a) Set signal generator at 45 mc and RF MULTIPLIER at X.1 range.

(b) Select meter correction factor for 45 mc from Figure 4-2 (0.92).

(c) Multiply 8 by correction factor ( $8 \times 0.92 = 7.36$ ).

(d) Adjust the MICROVOLTS control (E116) for a reading of "8" on M101. This represents an actual output of 7.36 microvolts at J102.

(e) Insert the 10:1 fixed attenuator at J102.

(f) Terminate the 10:1 fixed attenuator with the Impedance Adapter MX-1487/URM-25D.

(g) Feed the output from the impedance adapter to the receiver under test.

(h) Input voltage to the receiver is now .736 microvolts.

#### 15. SUMMARY OF OPERATION.

In using the AN/URM-25D as a test oscillator, it will not always be necessary to apply all the procedures outlined in this section. The technician will determine by use, the precision requirements of the equipment under test. Figure 4-9 is a simplified procedure summary for the operation of the signal generator. An operational summary of the front panel controls is given in Table 4-3.

#### 16. GENERAL INSTRUCTIONS FOR USE.

a. DETAILS.—For additional details of proper signal testing techniques, the technician is referred to the basic equipment instruction book and also standard commercial texts. However, since most commercial test procedures refer to original broadcast type receivers which differ in principle and test values from standard Naval equipments, certain details of Naval values and methods are included herein.

#### CAUTION

Always use the Test Lead CX-1363 U when making point-to-point tests on a receiver. Failure to do so may result in burning out a resistor in the step attenuator (AT101) or in one of the accessory units.

#### b. RECEIVER TESTS.

(1) GENERAL.—The presence of incidental frequency modulation in an A M signal generator may intro-

duce asymmetry in the apparent selectivity curve of the receiver being tested. This is particularly true for a very sharply-tuned circuit. The effects of frequency modulation have been kept at a minimum in the RF Signal Generator Set AN/URM-25D and should introduce no problem in receiver testing. For best results, however, the technician should perform all of the following receiver tests (except audio response) by using the unmodulated carrier signal. In order to eliminate the need for modulation, insert a high impedance DC voltmeter such as Multimeter ME-25/U or equal across the load of the second detector of the receiver. Adjustments can then be made with the meter response giving the necessary indication.

(2) SENSITIVITY.—At high radio frequencies, antenna characteristic cannot easily be reproduced, and considerable care must be taken in making receiver sensitivity tests. The voltage available at the signal generator unit output jack (J102) is always known, but it is not known at the receiver input terminals a few feet away. This latter voltage is proportional to the signal generator output voltage, but it may be larger or smaller due

to the characteristics and the termination of the "transmission line" between the instruments.

(3) SELECTIVITY.—The selectivity of a radio receiver is that characteristic which determines the extent to which the receiver is capable of distinguishing between the desired signal and disturbances of other frequencies. Selectivity is expressed in the form of a curve that gives the signal strength to produce a given receiver output at various frequencies, with the response at resonance taken as the reference. This selectivity curve is normally obtained by disabling the automatic volume control system of the receiver, setting the signal generator to the desired frequency, tuning the receiver to this frequency, and modulating the carrier signal 30 percent at 400 cycles. The carrier frequency output of the signal is then varied in steps from the frequency to which the receiver is tuned, adjusting the signal generator voltage as necessary to maintain a controlled receiver output. The unmodulated carrier method as described in paragraph 16b (1) of this section can also be used. Unless otherwise specified, the normal output is usually taken as 6 milliwatts into 600 ohms.

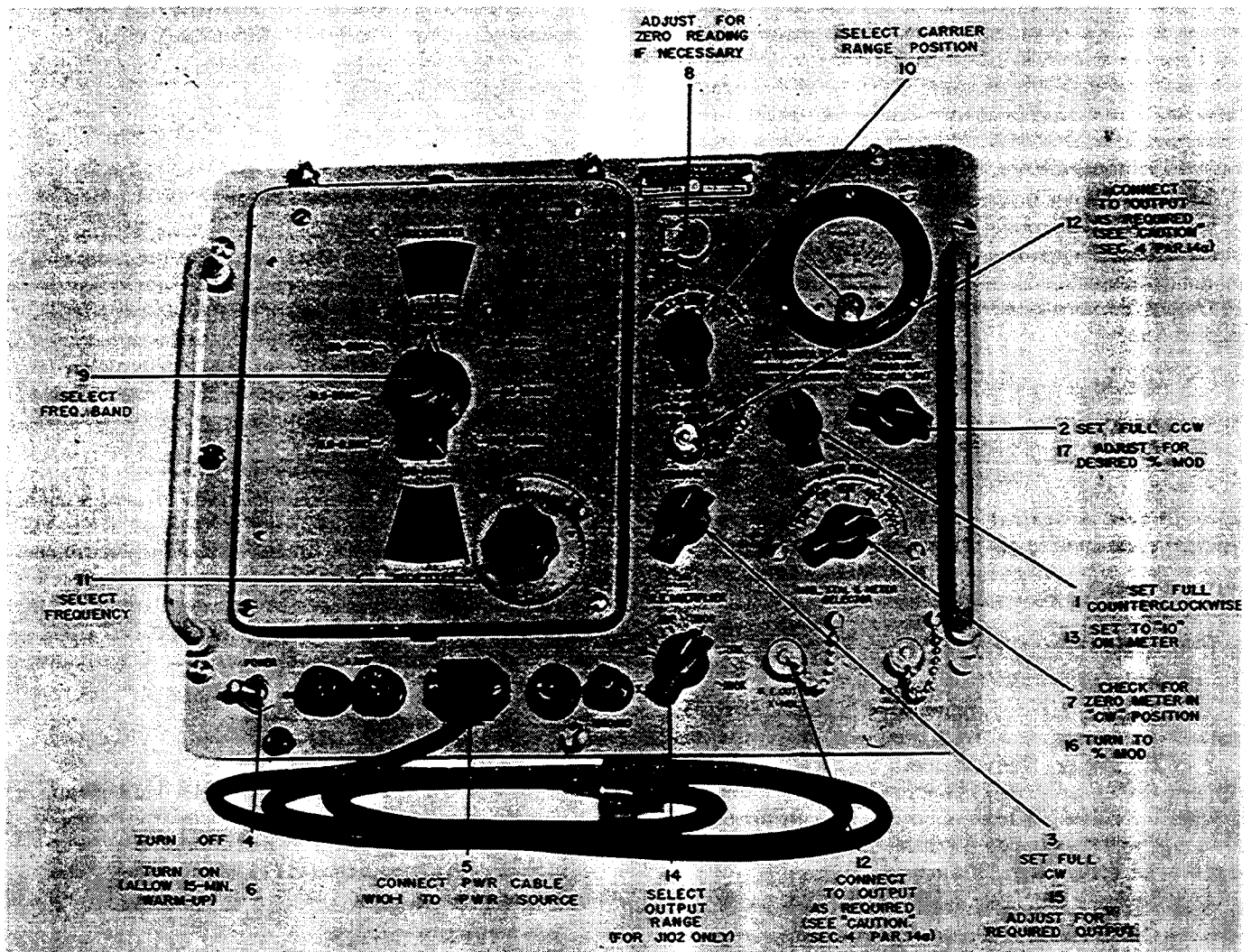


Figure 4-9. Simplified Procedure for Operating the RF Signal Generator Set AN/URM-25D

TABLE 4-3. OPERATIONAL SUMMARY OF FRONT PANEL CONTROLS  
(See figure 4-1)

SYMBOL	PANEL CONTROL	FUNCTION
E113	Carrier range switch.	a. Selects carrier range: 10 to 300 kc (modulating frequencies 100 to 1000 cps) or 300 kc to 50 mc (modulating frequencies 100 to 15,000 cps).
E114	Carrier control.	Regulates level of carrier.
E115	% MOD, AUDIO OUT, XTAL CAL OUT.	a. Adjusts modulation percentage for internal and external modulation. b. Adjusts output level of internally generated 400 or 1000 cps signal. c. Adjusts level of crystal beat note at XTAL CAL OUT jack.
E116	MICROVOLTS control.	Adjusts output of signal generator.
E117	MOD-XTAL & METER SELECTOR.	a. Select one of the following modes of operation: CW, External modulation, Internal modulation 400 cps, Internal modulation 1000 cps. A fifth position, XTAL, is used for accurate frequency calibration with integral crystal. b. Switches meter for reading carrier output in XTAL and CW positions; for reading % modulation in EXT., 400 cps and 1000 cps.
E118	RF MULTIPLIER switch.	Selects desired RF output level, which is the product of meter reading and RF MULTIPLIER Factor.
E119	Frequency Band Switch.	Selects desired frequency band.
E120	Ground terminal.	Used when necessary as orienting ground with equipment under test.
F101	Fuses (one-amp).	Protect power circuit.
F102	Fuses (one-amp).	Protect power circuit.
I101	Pilot Lamp.	Lights when generator set is operating.
J101	RF OUTPUT X-200K jack.	Approximately 500-ohm, two volt open circuit RF output.
J102	RF OUTPUT X-MULT jack.	50-ohm step attenuator output.
J104	POWER input receptacle.	For power cable (W101) connection.
J105	EXTMODIN - AUDIOOUT - XTAL CAL OUT jack.	a. Input for external modulation generator. b. Output for internally generated audio signals. c. Output for crystal beat note (headset).
M101	Meter.	Indicates microvolts output (upper scale), and percentage of modulation (lower scale).
N102	Main tuning dial.	Selects desired frequency.
N103	Frequency scale.	Indicates output frequency.
O103	Dial mask.	Makes visible only frequency band selected.
R127	CARRIER METER ZERO control.	Screwdriver adjustment for zeroing carrier meter.
S103	POWER switch.	ON-OFF switch for application of power.

**Note**

All reference to symbol designations in this section apply to the front panel diagram Figure 4-1 unless otherwise noted. Primary reference is made to the symbol designation of the front panel knob (e.g. E114) applicable to the specific circuit element (e.g. R172). The association between the knob and circuit part is shown on Figure 4-1 by indicating the corresponding circuit element designation following the knob symbol (e.g. E114 (R172)).

(4) AUDIO RESPONSE.—The audio response of a receiver shows the manner in which the electrical output at a dummy load depends upon the modulation frequency. In making this test connect an audio oscillator, such as the Navy Model LAJ Series, to the EXT MOD IN jack (J105). Set the MOD XTAL & METER SELECTOR knob (E117) to EXT position. Set the signal generator to the desired carrier frequency and tune the receiver under test to the signal. Adjust the signal generator until a convenient output is obtained. Observe the variation in receiver output as the modulation frequency of the signal generator is varied from 400 cycles, while keeping the degree of modulation constant at 30 percent. The results of an audio response test are expressed in the form of a curve with the ratio of actual output to 400 cycles output plotted vertically, and each corresponding audio frequency plotted horizontally. In making this test, care must be taken to avoid applying so great a signal to the receiver as to overload the output. In the event that the noise and hum level in the receiver output is appreciable it will be necessary to supply a strong enough signal from the generator to override this interfering effect.

(5) MEASURING RECEIVER GAIN PER STAGE.—The RF Signal Generator Set AN/URM-25D is also a useful device for measuring the gain of any particular receiver stage. This is accomplished by applying a signal to the input and output points of the stage in question and recording the signal voltage required, in either case, to give the same receiver output. The gain in db is then calculated by applying the formula:

$$\text{GAIN (db)} = 20 \log \frac{V_{\text{out}}}{V_{\text{in}}}$$

(6) RECEIVER ALIGNMENT.—The alignment of the intermediate frequency amplifier system of a simple receiver is usually carried out by setting up the signal generator at the proper frequency and working step by step backward through the IF circuits from the second detector to the first detector.

**CAUTION**

Consult the particular receiver's instruction book for details of the method applicable to that receiver. This is particularly important for wide band RF amplifiers where over coupled, regenerative or stagger tuning is used. Be sure the aligning frequency is correct. Check with a heterodyne frequency meter such as Navy Model LM or LR series to obtain greater frequency accuracy than obtainable with the signal generator below 1 mc. Above 1 mc, the crystal calibrator in the AN/URM-25D can be used to obtain an accuracy within 0.05%.

Always apply the signal generator to the grid immediately preceding the circuit under adjustment and adjust the trimmers (or variable inductances) for maximum output. In carrying out this procedure, it will of course be necessary to reduce the output of the signal generator

each time the signal is applied to the grid of a tube at lower power level. The next step is to align the radio frequency and oscillator circuits of the receiver. This is accomplished by setting the receiver dial near the high end of the band in question and applying a signal of the proper frequency from the generator to the antenna input terminals of the receiver. First adjust the RF stage shunt trimmer capacitors (or iron core inductances) for maximum receiver output, and then adjust the oscillator shunt trimmer until the receiver output is maximum. The receiver dial and signal generator are then set at the low frequency end of the receiver dial, and the oscillator series padder capacitor is adjusted for maximum output. Recheck the high frequency end of the band and repeat the above procedure as necessary.

(7) RECEIVER ALIGNMENT ABOVE 50 MEGACYCLES.—The RF Signal Generator Set AN/URM-25D can also be used for aligning receivers above 50 mc by using the second harmonic of the frequency selected. Although harmonic distortion has been kept below 10%, this still allows some second harmonics to be introduced at the X-MULT RF OUTPUT jack (J102). It must be realized that when the second harmonic is used, the signal generator meter can no longer be used as an indication of output.

c. MODULATED OPERATION.—In using the equipment with modulated output, it should be realized that three waves are emitted, one at the carrier frequency and at two "side bands". While either pure or modulated CW signals can be obtained from the signal generator, considerable discretion must be used in employing the modulated method of receiver testing, based on the selectivity of the receiver and the frequency of test, since the carrier and both side bands must be received in true proportion in order to obtain accurate measurements.

d. RECEIVER OUTPUT.—In aligning or testing a receiver, a voltmeter or output meter should be connected across the output terminals, in parallel with the proper resistance output load.

e. RECEIVER OVERALL SENSITIVITY.—Some radio receivers have an excess of sensitivity, such that at certain frequencies if the sensitivity, volume or gain control are advanced too far the inherent noise level is sufficient to saturate the detector or audio tubes. Accordingly, all receivers are measured and rated for both CW and MCW sensitivity on the basis of the sensitivity, volume, or gain control being adjusted so that not more than 60 microwatts of noise is present in the output with no input signal impressed. When measuring receiver overall sensitivities obtainable on the first step of the attenuator, it should be remembered that the output of the signal generator may not be attenuated equally at all frequencies to an absolute value of zero when the RF MULTIPLIER knob (E118) is set at X.1 and the MICROVOLTS control (E116) is set fully counterclockwise. The effects of stray or leakage disturbances caused by circulating currents in the case, or between panel and case, may be minimized by properly orientating the signal generator and

using the (10:1) Fixed Attenuator CN-224/URM-25D. (See Section 4, par. 14). Proper orientation of the generator with respect to the receiver will also limit the presence of undesired stray voltages. These stray effects can be ascertained by comparing the output of the receiver with the signal generator turned ON and OFF.

*f.* STANDARD ANTENNA ELECTRICAL CONSTANTS.—A standard antenna at low frequencies (below 1600 kilocycles) has essentially the same impedances as a series circuit of 20 microhenries, 200 micro-microfarads, and 25 ohms. The resonant frequency is about 2500 kilocycles. The high frequency impedance is approximately 400 ohms resistive. The Antenna Simulator SM-35/URM-25 closely approximates the standard antenna (See section 4, par. 11).

*g.* STANDARD LEVELS.—Standard levels are as follows:

- (1) Standard output level of reference—6 milliwatts.
- (2) Standard noise level—60 microwatts.
- (3) Standard output load—600 ohms for low impedance output, or 20,000 ohms for high impedance

output, unless special impedances are provided in the receivers and noted in their instruction book.

*b.* VOLTMETER USED AS AN OUTPUT METER.—In making measurements when a voltmeter is used as an output meter, the following approximate wattages correspond to the voltages at the load impedances noted:

- (1) 1.9 volts at 600 ohms  
11.0 volts at 20,000 ohms      6 milliwatts
- (2) 0.19 volts at 600 ohms  
1.1 volts at 20,000 ohms      60 microwatts
- (3) .77 volts at 600 ohms  
4.5 volts at 20,000 ohms      1 milliwatt
- (4) For receivers provided with output meters having a zero level of 6 milliwatts — minus 20 decibels equal 60 microwatts.
- (5) For receivers provided with output meters having a zero level of 60 microwatts — plus 20 decibels equal to 6 milliwatts.

## SECTION 5

### PREVENTIVE MAINTENANCE

#### 1. ROUTINE MAINTENANCE CHECK CHART.

The construction of the RF Signal Generator Set AN/URM-25D is such that preventive maintenance measures will be limited. Periodic testing of the equipment to determine if it is in proper working order should be performed in accordance with the step-by-step procedure given in Table 5-1 ROUTINE CHECK CHART. If the signal generator is used frequently (several times a week), these charts should be made prior to use. Otherwise they should be made weekly. All symbol designations given in Table 5-1 refer to Front Panel Diagram, Figure 4-1 in Section 4 OPERATION unless otherwise specified.

**Note**

THE ATTENTION OF MAINTENANCE PERSONNEL IS INVITED TO THE REQUIREMENTS OF CHAPTER 67 OF THE BUREAU OF SHIPS MANUAL OF THE LATEST ISSUE.

#### 2. FUSE FAILURE.

Symptoms of fuse failure and fuse location are given in Tables 5-2 and 5-3.

**CAUTION**

Never replace a fuse with one of higher rating unless continued operation of the equipment is more important than probable damage. If a fuse burns out immediately after replacement, do not replace it a second time until the cause has been corrected.

#### 3. LUBRICATION.

All gears and moving shafts should be lubricated periodically with Aero Lubriplate manufactured by Fish Bros., Newark, N.J.

**TABLE 5-1. ROUTINE CHECK CHART**

WHAT TO CHECK	HOW TO CHECK	PRECAUTIONS AND REMARKS
1. Installation.	<p>Before connecting the power cable (W101) to the signal generator, make sure the equipment is properly set up in accordance with instructions given in Section 3-INSTALLATION.</p> <p>a. POWER switch (S103) in OFF position.</p> <p>b. Carrier control (114) fully counterclockwise.</p> <p>c. Audio output control (E115) fully counterclockwise.</p> <p>d. MICROVOLTS control (E116) fully clockwise.</p>	See that all the cables and wires are in good condition and that electrical connections are properly made.
2. Power Supply.	<p>Set controls as follows:</p> <p>a. Carrier control (E114) fully counterclockwise.</p> <p>b. Audio output control (E115) fully counterclockwise.</p> <p>c. POWER switch (S103) to ON position.</p>	The indicator lamp (I101) and frequency scale lamps (E121 and E122) should light. If they do not, check front panel fuses (see Table 5-3) and lamps.
3. Meter Check.	<p>a. Set carrier control (E114) fully counterclockwise.</p> <p>b. Throw POWER switch (S103) to ON position.</p>	If the meter does not read zero in the CARRIER position, R127 requires adjustment. (See Section 4, figure 4-1.

TABLE 5-1. ROUTINE CHECK CHART (Continued)

WHAT TO CHECK	HOW TO CHECK	PRECAUTIONS AND REMARKS
	<p>c. Allow 15 minutes warm up period.</p> <p>d. Set MOD XTAL &amp; METER SELECTOR knob E117 to CARRIER position.</p> <p>e. Meter should read zero.</p>	
4. Carrier Frequency.	<p>Set controls and switches as follows:</p> <p>a. Carrier control (E114) to full counterclockwise position.</p> <p>b. MICROVOLTS control (E116) to full clockwise position.</p> <p>c. MOD XTAL &amp; METER SELECTOR knob (E117) to CARRIER.</p> <p>d. Carrier range knob (E113) to corresponding band position.</p> <p>e. POWER switch (S103) to ON.</p>	<p>a. Meter (M101) should move up-scale as carrier control (E114) is rotated in a clockwise direction.</p> <p>b. Meter pointer should read "10" in all positions of the frequency band switch (E119), when the carrier control is advanced in a clockwise direction.</p>
5. Modulation Frequency.	<p>Set controls and switches as follows:</p> <p>a. Carrier control (E114) fully counterclockwise.</p> <p>b. Audio output control (E115) fully counterclockwise.</p> <p>c. MOD XTAL &amp; METER SELECTOR knob (E117) to 400 cycles.</p> <p>d. Carrier range knob (E113) to corresponding band position.</p> <p>e. POWER switch (S103) to ON.</p>	<p>a. When audio output control (E115) is rotated clockwise, the meter should reach at least 50% modulation.</p>

TABLE 5-2. SYMPTOMS OF FUSE FAILURE

INDICATOR (I101) AND SCALE (E121 AND E122) LAMPS OF SIGNAL GENERATOR	ALL ELECTRON TUBES	METER M101	OPEN FUSE	VALUE (AMPS)	COMMENTS
None light	Filaments off	No reading	F101	1	Check also power supply, cables, connectors, etc. and the POWER switch (S103).
None light	Filaments off	No reading	F102	1	

TABLE 5-3. FUSE LOCATIONS

SYMBOLS	LOCATIONS	PROTECTS	AMPS	VOLTS
F101 F102	<p>1. Physically located in signal generator front panel fuseholders (XF101) and (XF102). See figure 4-1.</p> <p>2. Electrically located in primary of power transformer T201. See figure 6-24.</p>	Primary of power transformer (T201).	1.0	250
			1.0	250

# FAILURE REPORTS

A FAILURE REPORT must be filled out for the failure of any part of the equipment whether caused by defective or worn parts, improper operation, or external influences. It should be made on Failure Report, form NBS-333, which has been designed to simplify this requirement. The card must be filled out and forwarded to BUSHIPS in the franked envelope which is provided. Full instructions are to be found on each card.

Use great care in filling the card out to make certain it carries adequate information. For example, under "Circuit Symbol" use the proper circuit identification taken from the schematic drawings, such as T-803, in the case of a transformer, or R-207, for a resistor. Do not substitute brevity for clarity. Use the back of the card to completely describe the cause

of failure and attach an extra piece of paper if necessary.

The purpose of this report is to inform BUSHIPS of the cause and rate of failures. The information is used by the Bureau in the design of future equipment and in the maintenance of adequate supplies to keep the present equipment going. The cards you send in, together with those from hundreds of other ships, furnish a store of information permitting the Bureau to keep in touch with the performance of the equipment of your ship and all other ships of the Navy.

This report is not a requisition. You must request the replacement of parts through your Officer-in-Charge in the usual manner.

Make certain you have a supply of Failure Report cards, and envelopes on board. They may be obtained from any Electronics Officer.

**FAILURE REPORT—ELECTRONIC EQUIPMENT**  
NAVSHIPS FORM 333 (REV. 6-51)  
FORMERLY NAVSHIPS FORM 333 AND NAVSHIPS FORM 333A

**ELECTRONIC EQUIPMENT FAILURE REPORT (E36)**  
NAVSHIPS FORM 333 (REV. 11-50)

**NOTICE—Read notes on reverse side. Add item number and envelope may be obtained from nearest BMO.**

SHIP NUMBER AND NAME OF STATION \_\_\_\_\_ DATE \_\_\_\_\_  
NAME OF PERSON MAKING REPORT \_\_\_\_\_

CHECK ONE:  RADIO

EQUIPMENT INVOLVED:  
 Ship  Army  Navy  Air  Command  Other \_\_\_\_\_ (Specify)

Radio  Radar  Sonar  Misc  Test  Test  Power  Sound  Other \_\_\_\_\_ (Specify)

EQUIPMENT MODEL, DESIGNATION \_\_\_\_\_ SERIAL NUMBER OF EQUIPMENT \_\_\_\_\_ NAME OF CONTRACTOR \_\_\_\_\_ CONTRACT NO. \_\_\_\_\_  
TYPE NUMBER AND NAME OF MAJOR UNIT INVOLVED \_\_\_\_\_ SERIAL NUMBER OF UNIT \_\_\_\_\_ CONTRACT OR PO DATA OF UNIT \_\_\_\_\_ DATE REPORT RECEIVED \_\_\_\_\_

**ITEM WHICH FAILED**

THIS SHOWS FOR TYPES		THIS SHOWS FOR PARTS (NOTE #)			
TYPE TYPE, INCLUDING PLATE LETTERS	SERIAL NO. (PAGE #)	NAME OF PART	CIRCUIT SYMBOL (e.g. R-10)	NAVY TYPE NO.	
TYPE DESCRIPTION	CONTRACT NO. (PAGE #)	SERIAL NO.	*CONTRACT DATA	*DATE REC'D.	*NAVY STOCK NO.
FAILURE OCCURRED IN	COMPONENT GROUP (PAGE #)	DATE OF ACCEPTANCE (PAGE #)	*CHECK-OFF OR TAG DATA (PAGE #)	*MANUFACTURER'S DATA (PAGE #)	
<input type="checkbox"/> Storage <input type="checkbox"/> Operate	REF. NO.	MODE OF FAILURE	BRIEF DESCRIPTION AND CAUSE OF FAILURE, INCLUDING APPROXIMATE LIFE SERVICE OR SMO.		
<input type="checkbox"/> Handling <input type="checkbox"/> Other (Specify on reverse)	TYPE OF FAILURE (PAGE #)	TYPE CIRCUIT SYMBOL			
NATURE OF FAILURE AND REPAIR					

FAILURE OCCURRED IN:  
 Storage  Operate  Handling  Other (Specify on reverse)

FAILURE OCCURRED IN:  
 Storage  Operate  Handling  Other (Specify on reverse)

\*SEE REVERSE FOR REPORTS IDENTIFIED BY INITIAL ACTIVITIES.

16-5550-1 U. S. GOVERNMENT PRINTING OFFICE

Figure 6-1. Failure Report, Sample Form



## SECTION 6

### CORRECTIVE MAINTENANCE

#### 1. THEORY OF LOCALIZATION.

*a.* The first step in maintenance or repair is to determine definitely that a defective condition exists. If the equipment is not operated correctly, certain indications of trouble might be presented when there is actually nothing wrong with the equipment. The technician should be thoroughly familiar with Section 4, OPERATION, of this book before attempting to analyze the indicated defect.

*b.* After a positive determination is made that the generator is defective, the first step in trouble shooting is to localize the trouble, that is, decide which circuit of the complete system is not functioning as it should. Once the analysis has been narrowed down to the defective circuit, it becomes a relatively simple process of making voltage and resistance checks to locate the faulty circuit part (eg. resistor, capacitor, etc).

*c.* The chief parts of the signal generator which are subject to wear or deterioration are electronic tubes and switches. In addition the carrier oscillator inductances may vary slightly and require recalibration as a result of aging or excessive temperature variations. (See Table 6-1 - FREQUENCY CALIBRATION DATA).

#### 2. TEST EQUIPMENT FOR MAKING REPAIRS AND TROUBLE SHOOTING.

The technician may find a wide variation of applicable test equipment to use in making repairs or for trouble shooting on the RF Signal Generator Set AN/URM-25D. However, to achieve the best results in accordance with the characteristic of the signal generator, the following test equipments or their equivalents are recommended for use:

- a.* Navy Model LM Series Crystal Calibrated Frequency Indicating Equipment.
- b.* Navy Model LR Series Combined Heterodyne Frequency Meter and Crystal Controlled Calibration Equipment.
- c.* Signal Generator TS-535/U.
- d.* Resistance Bridge ZM-4/U.
- e.* Multimeter ME-25/U Series.
- f.* Oscilloscope OS-8/U, Navy Model OBL or OBT Series Cathode Ray Oscilloscope.
- g.* Multimeter AN/PSM-4, TS-352/U, Navy Model OE Series Receiver Analyzing Equipment.

#### 3. SYSTEM TROUBLE SHOOTING.

*a.* In employing any systematic method for trouble shooting, the methods and procedures followed by the technician will vary greatly. Any method employed is satisfactory as long as it will produce accurate results with the greatest expediency.

*b.* To assist the electronics technician in applying him-

self to the maintenance problems of the RF Signal Generator Set AN/URM-25D, a trouble symptoms chart and two trouble shooting tables are listed in this section. The first, Table 6-2 - TROUBLE SYMPTOM CHART is a listing of some common trouble symptoms with suggested checks for locating the defect; the second, Table 6-3 - GENERAL TEST PROCEDURES FOR LOCALIZING TROUBLE, is a systematic procedure for determining the unit or component which is the source of trouble; the third, Table 6-4 - SUGGESTED TESTS FOR LOCATING THE SPECIFIC TROUBLE gives some hints that may be applied in finding the specific part that may be defective.

#### 4. TUBE OPERATING VOLTAGES AND CURRENTS.

Electron tube operating voltages and currents under normal operating conditions are given in Table 6-5 TUBE OPERATING VOLTAGES AND CURRENTS, located near the end of this section.

#### 5. TUBE SOCKET ELECTRICAL MEASUREMENTS.

*a.* As a further aid in maintenance work, figure 6-15 SIGNAL GENERATOR VOLTAGE AND RESISTANCE CHART will be found near the end of this section. This chart lists diagrammatically the voltage and resistances measured from all tube socket connections to ground.

*b.* As is indicated by the footnotes to this chart, all measurements were made with a 20,000 ohms per volt DC meter, Navy Model OE Series, and a 1000 ohm per volt AC meter such as Multimeter AN/PSM-4, TS-352/U Series or equivalent.

#### 6. WINDING DATA.

Complete winding data for all wire-wound units (except resistors) in the AN/URM-25D is given in Table 6-7 WINDING DATA.

#### 7. EXTERIOR AND INTERIOR VIEWS OF UNITS.

To assist the technician doing maintenance work in locating the positions of the various coils, capacitors, resistors, switches, etc., comprising the signal generator, there will be found in this section additional photographic illustrations. They show every part of the RF Signal Generator Set AN/URM-25D with the corresponding symbol designation indicated. These will facilitate the easy and quick identification of all parts. Table 6-8 - CROSS REFERENCE BETWEEN SYMBOL NUMBER AND FIGURE LOCATION gives the figure in which these parts are identified.

#### 8. REMOVING THE SIGNAL GENERATOR AND POWER SUPPLY FROM THE CABINET.

*a.* REMOVING THE RF SIGNAL GENERATOR SG-85/URM-25D - Since this is a precision instrument,



Figure 6-2. Front Panel View for Removal of RF Signal Generator SG-85/URM-25D from Cabinet

great care should be taken in removing the RF Signal Generator from the cabinet to make repairs. Before attempting to disassemble the unit, be sure that the equipment is disconnected from the power source. Adhere carefully to the following procedure:

- (1) Remove the power cable (W101).
- (2) Loosen the twelve captive screws (x) located around the outer edge of the panel (figure 6-2).
- (3) Gently pull the generator chassis about eight inches from the cabinet, using the lifting handles provided on the front panel. The generator unit cannot be completely removed since the interconnecting power cable (W102) and output power cable (W103) are still connected to the power supply sub-chassis.

- (4) Remove the output power supply connector (P102) and the AC input connector (P101) from the power supply sub-chassis. The generator sub-assembly can now be removed. The power supply sub-chassis will remain in the cabinet.

**b. REMOVING THE POWER SUPPLY PP-977/URM-25D.**

- (1) To remove the power supply, take out the four binding head screws (Y) located on the bottom of the

cabinet. There are also four screws on the rear of the cabinet which must be removed (figure 6-3).

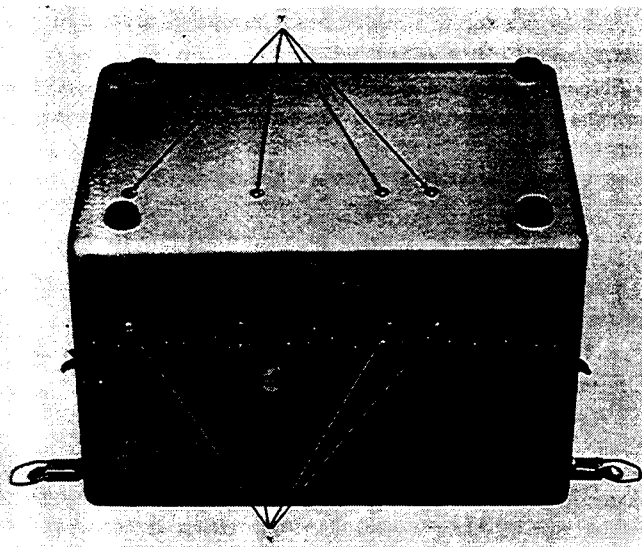


Figure 6-3. Rear Bottom View for Removal of Power Supply PP-977/URM-25D from Cabinet

(2) With the signal generator and power supply sub-assemblies removed from the cabinet, the equipment can again be connected for use and testing by applying the following procedure (figure 6-4):

(a) Insert interconnecting power cable plug (P101) into the power supply input receptacle (J201) and P102 into J202.

(b) Insert one end of the power cable (W101) into the front panel input receptacle (J104) and plug the other end into the AC source.

**WARNING**

Voltages up to 450v will be exposed when the signal generator is being tested outside the cabinet. Exercise great care in handling the instrument under these conditions.

**9. REMOVAL AND REPLACEMENT OF PARTS.**

a. Whenever repairs are made involving the removal or replacement of any component part, the part removed should be marked or tagged for identification and its exact position in the equipment carefully noted and recorded so that when the same or new part is replaced the equipment will be precisely as before. This precaution is particularly necessary when RF components, such as coils and capacitors, are replaced. The location of these parts with respect to associated components will play an important role in the performance of the equipment.

b. Whenever any parts are replaced by new ones always use the identical type listed and described in Section 7, PARTS LIST, Table 7-4. If such parts cannot be obtained, substitute only similar parts with equivalent electrical and mechanical characteristics. If precision parts are not available and it is absolutely necessary to use the equipment, a temporary substitute of approximate value may be inserted. This is not recommended as a normal procedure and the exact replacement should be ordered. The unsatisfactory substitute should be removed as soon as the exact replacement is received.

**10. REMOVAL OF OSCILLATOR BRACKET ASSEMBLY.**

a. Remove two screws on the right side of the signal generator when viewed from the rear of the unit. Remove the small nut holding the bus bar on the edge of the bracket.

b. Slowly pull out the oscillator bracket assembly so as not to break any leads or connections which are soldered to other parts of the oscillator compartment.

c. Make a note of all connections before unsoldering. Replace defective parts, resolder all connections, and mount the bracket assembly in place with the two screws and nut.

**11. REMOVAL OF CRYSTAL CALIBRATOR BRACKET ASSEMBLY.**

a. Partially remove the power supply receptacle (J104), then remove two screws from the bottom of the

signal generator which hold the crystal calibrator bracket assembly in place.

b. Remove the bracket assembly slowly to prevent damaging any parts or lead connections.

c. Make a note of all connections before unsoldering. Replace defective parts, resolder all connections and mount the bracket assembly in place with the two screws. Replace the receptacle (J104) in its proper position.

**12. REMOVAL OF AUDIO COMPARTMENT ASSEMBLY.**

a. Remove the three knobs titled as follows:

- (1) SET CARRIER TO 10
- (2) %MOD - AUDIOOUT - XTALCALOUT
- (3) MOD-XTAL & METER SELECTOR

b. Remove the cover from the EXT MOD IN-AUDIO OUT-XTAL CAL OUT jack.

c. Disconnect the two leads from the rear of the meter (M101).

d. Remove four screws on the front panel which will permit removal of the audio compartment assembly.

e. Note all connections before unsoldering. Replace defective parts and resolder all connections properly.

f. If the meter is to be replaced, remove three screws on the front panel, then remove the meter. Mount a new meter in place with the three screws.

g. Re-mount the audio compartment assembly with the four screws. Connect the two leads to the rear of the meter.

h. Replace the cap and all knobs in their proper position.

**13. REMOVAL OF STEP ATTENUATOR.**

a. Remove the RF MULTIPLIER knob and the cap from the RF OUTPUT X-MULT jack. Remove the four screws positioned around the jack on the front panel.

b. Disconnect the lead which is connected to the buffer-amplifier compartment and remove the step attenuator.

**Note**

Note the position of the gear teeth before removing the step attenuator.

c. Replace any defective resistors or gears if damaged.

d. Mount the step attenuator in place, and position the gear teeth properly. Replace the four screws, the knob, and cap.

**14. REPLACING RF OSCILLATOR CIRCUIT COMPONENTS.**

a. The RF oscillator frequency determining components L101 through L108 and C101 through C118 should not normally be replaced in the field unless the necessary calibrating instruments are available. These instruments include RF heterodyne frequency meters that cover from 10 kc to 50 mc with an accuracy of at least 0.05% (e.g. Navy Model LR and Signal Generator TS-535/U).

b. Changing the oscillator tube should not normally

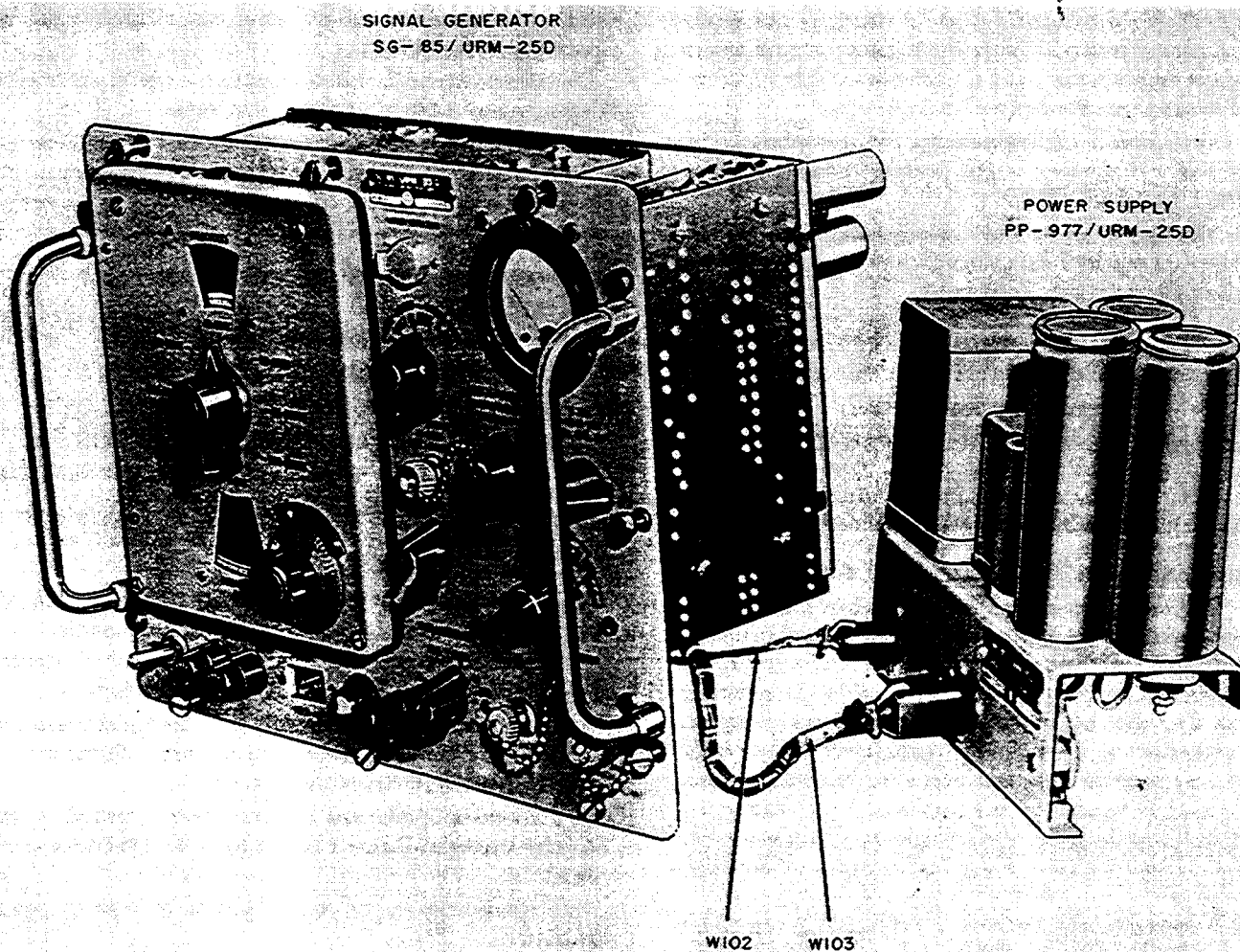


Figure 6-4. RF Signal Generator SG-85/URM-25D and Power Supply PP-977/URM-25D Connected Outside Cabinet for Testing

cause error in calibration. However, when replacing the oscillator tube, the signal generator should be recalibrated as soon as the necessary test equipment is available (e.g. Navy Model LR and Signal Generator TS-535/U).

#### 15. REPLACING BUFFER AND AMPLIFIER CIRCUIT COMPONENTS

(See figures 6-5, 6-6, and 6-7).

The buffer amplifier compartment is located between the carrier oscillator and audio compartments. It contains the buffer stage (V102), output amplifier stage (V103), and VTVM (V104) circuits, in addition to the MICROVOLTS control ((R119), carrier range switch (S101), and the meter zero control (R127). It is sometimes necessary to remove this unit when making repairs. This removal should be accomplished in the following manner.

a. Remove the buffer-amplifier and oscillator compartment cover plate.

b. Remove carrier range switch knob (E113) and MICROVOLTS control knob (E116) located on the front panel of the signal generator.

- c. When necessary, label all leads before unsoldering.
- d. Remove the mounting nuts which attach the buffer-amplifier unit inside the compartment.
- e. The buffer-amplifier can now be removed.

#### 16. READJUSTMENT OF FREQUENCY CALIBRATION

(See figure 6-12).

a. **WHEN TO CALIBRATE.** The signal generator should be recalibrated whenever oscillator coils or capacitors are replaced and whenever it is suspected that the frequency error is in excess of  $\pm 1\%$ . This recalibration is accomplished by adjusting the applicable coils and trimmers as discussed in paragraph 17 of this section.

b. **LIMITATIONS OF CRYSTAL CALIBRATOR (V105) FOR FREQUENCY RECALIBRATION.** The use of the integral crystal calibrator for interpolative calibration was discussed in Section 4, par. 5. When used in this manner, the accuracy of the signal generator is increased from the rated  $\pm 0.5\%$  to  $\pm 0.05\%$  at frequencies above 1 mc. Since the crystal calibrator operates on the harmonic generation principle, it is limited as a recalibrating device when some circuit defect or replace-

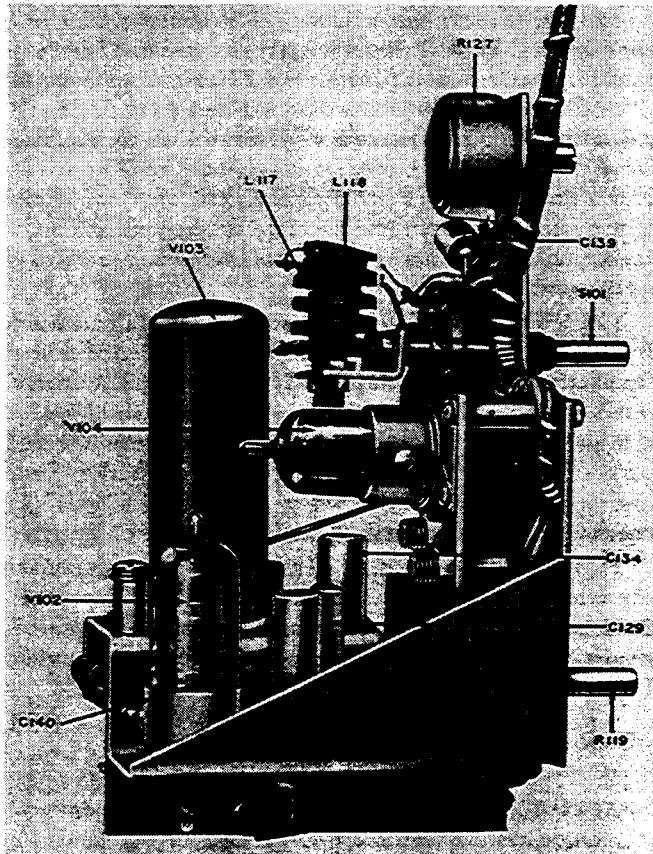


Figure 6-5. Side View of Buffer - Amplifier Unit with Tubes in Position

ment introduces a frequency error greater than 1%. For example; if for some reason, the frequency error at 50 mc is -2%, the frequency scale will read 50 mc when the actual frequency is 51 mc. Since zero beats occur at both 50 mc and 51 mc (1 mc apart), it will be difficult to determine which point corresponds to 50 mc. Similarly, at lower frequencies, (down to 1 mc), the combination of signal generator and crystal calibrator harmonics may introduce beats at intervals closer than 1 mc. Since the accuracy of the signal generator is better than  $\pm 0.5\%$ , there will be no problem in determining the applicable beat for interpolative calibration. When recalibrating the instrument because of errors greater than 1%, however, the instruments recommended in the following paragraph should be used to avoid any possible confusion.

c. RECOMMENDED TEST EQUIPMENT FOR RECALIBRATING.

- (1) Navy Model LR Frequency Meter.
- (2) Set of earphones for monitoring zero beat.

**Note**

Figure 6-11 shows the locations of the trimmers and inductances that may require readjustment. Make sure that only the parts relevant to the frequency band being calibrated are adjusted. Follow the calibration procedure and do not turn screws indiscriminately.

**17. FREQUENCY CALIBRATION PROCEDURE**

(See figure 6-12 and Table 6-1).

a. GENERAL.

(1) When the frequency error of the signal generator is in excess of 1%, it will be necessary to recalibrate the instrument. In making the necessary adjustments, the RF Signal Generator SG-85/URM-25D must first be removed from the cabinet. Interconnecting cables are of sufficient length so as not to require the removal of the Power Supply PP-977/URM-25D sub-chassis. Follow the procedure outlined in Section 6, par. 6, for removing the signal generator unit.

(2) Over the frequency range covered by Bands A through H (10 kc through 50 mc), each oscillator coil has connected across it a trimmer capacitor for adjusting the total capacitance associated with it. Each corresponding coil also has a movable dust iron slug by means of which the inductance of that coil can be adjusted to the required value.

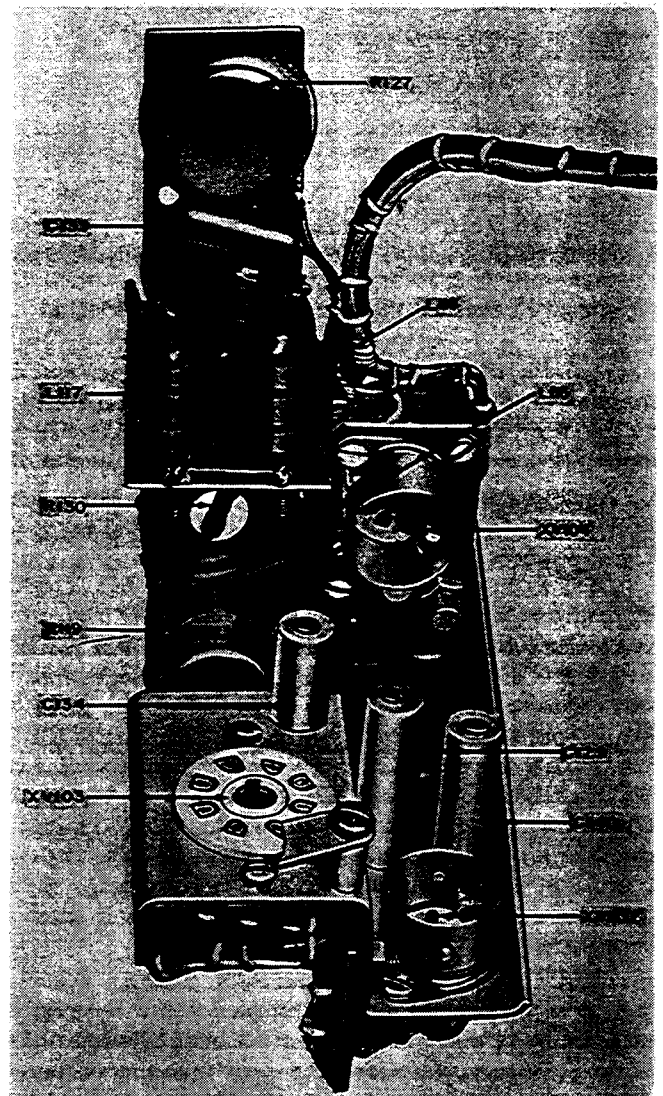


Figure 6-6. Rear View of Buffer - Amplifier Unit with Tubes Removed

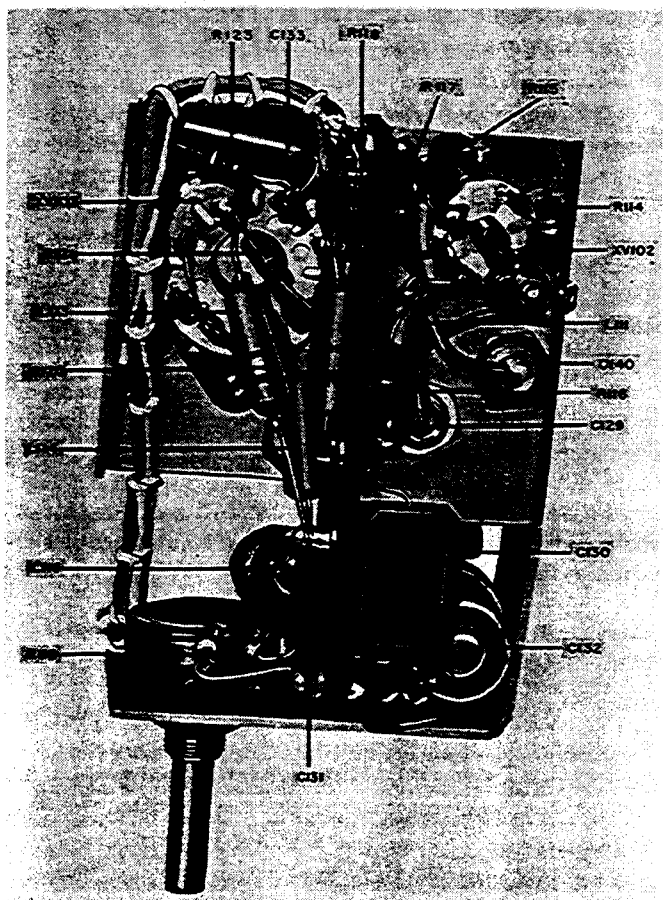


Figure 6-7. Bottom View of Buffer - Amplifier Unit

(3) In using the heterodyne frequency meters referred to in paragraph 16 of this section, connect the output test cable (W104) to the heterodyne frequency meter. Plug a pair of earphones into the audio output of the frequency meter. Make the necessary capacitance and inductance adjustments while listening for a zero beat on the earphones.

(4) For calibrating frequency ranges below 100 kc, use the Signal Generator TS-535/U. Feed the output from the RF Signal Generator Set AN/URM-25D and Signal Generator TS-535/U to the horizontal and vertical inputs, respectively, of the oscilloscope, such as Oscilloscope OS-8/U, Navy Models OBL or OBT series (See figure 6-12). Adjust the frequency of the RF Signal Generator Set AN/URM-25D to the same frequency as the Signal Generator TS-535/U as indicated by a zero-shaped Lissajou pattern. Be sure to calibrate the Signal Generator TS-535/U according to its instruction book before using it as a standard in this procedure.

*b.* FREQUENCY CALIBRATION CHART. Table 6-1 is a chart for calibrating frequency and the necessary adjustment to be made on all bands. When calibrating frequency, follow the points and procedures therein contained.

*c.* CALIBRATION PROCEDURE (See figure 6-12 and Table 6-1).

(1) To make the necessary RF trimmer and coil adjustments, it will be necessary to remove the top shield plate from the carrier oscillator compartment side of the casting which provides access to the trimmer condenser. It is also necessary to remove the screw plug from the casting to provide access to the oscillator coil. Identification of the appropriate coil and condenser is not necessary, since the correct components are automatically aligned with the access holes for each frequency band.

(2) The recalibration process consists of (a) adjusting the inductance for frequency calibration at the low-frequency end of the range, (b) adjusting the corresponding trimmer capacitor for a calibration point at the high end of the range, (c) rechecking the low end plus coil adjustment if necessary, (d) rechecking the high end if adjustment in step c is required, and (e) checking the center portion of range selected.

(3) After the adjustment has been made, replace the plate and plug and recheck calibrations. If the calibrations have been changed when this plate is replaced, readjust the applicable trimmer or core to compensate for this effect.

#### CAUTION

After the necessary adjustments have been made, on the upper and lower ends of the band being calibrated, the corresponding calibrations should be correct throughout the frequency range. If not, the main tuning capacitor (C123) may be defective. One common way that this variable capacitor becomes defective is through "plate bending." Never bend the plates of the main tuning capacitor (C123) in attempting to make an adjustment.

### 18. CALIBRATING THE VOLTMETER

(See figure 6-16 and 6-17)

*a.* General. In the course of operating the equipment it may be discovered that the meter (M101) does not indicate what it should. This can readily be determined by applying the procedures outlined in Section 5, Table 5-1—ROUTINE CHECK CHART, and by making the necessary adjustments outlined in this paragraph.

#### Note

All voltmeter adjustments (R169 and R172) are of the screwdriver type and are located in the audio compartment. Figure 6-16 identifies these controls.

*b.* ZERO ADJUSTMENT.—If the meter (M101) does not read zero in the carrier position of the MOD-XTAL & METER SELECTOR switch (S102), when the carrier control (R173) and audio output control (R165) are set fully counterclockwise, make this adjustment:

(1) Set carrier control (R173) and audio output control (R165) to the fully counterclockwise positions (zero carrier and zero modulation).

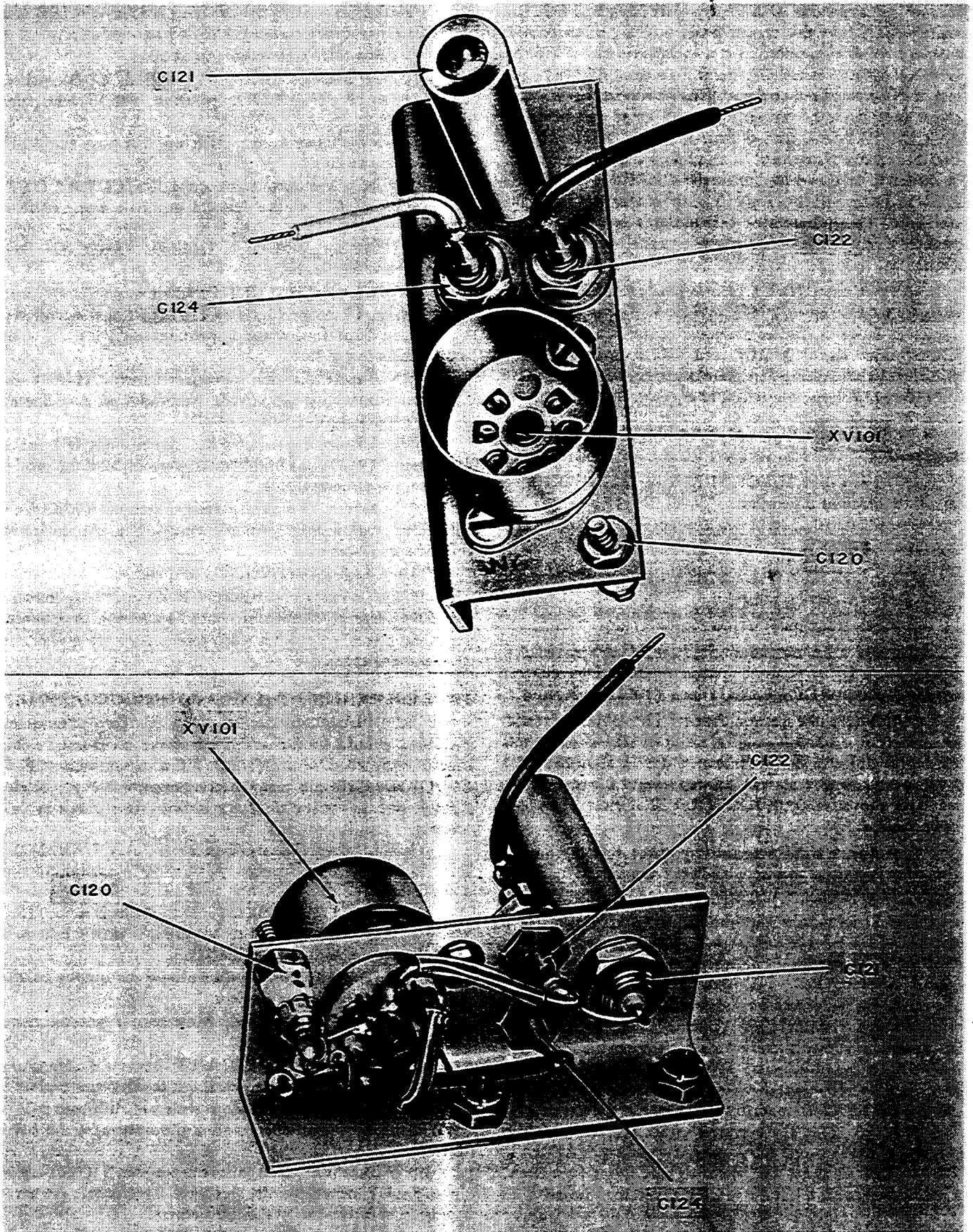


Figure 6-8. Top and Bottom Views of Carrier Oscillator Bracket

(2) Set the MOD-XTAL & METER SELECTOR switch (S102) to the carrier position. The output from (V103) is now applied to the cathode of the VTVM tube (V104A). Since the carrier control (R173) was set for zero signal output (fully counterclockwise), there should be no voltage applied to the cathode of the tube (V104A), and the meter (M101) should still indicate zero. However, if a reading other than zero is reflected by the meter, adjust the CARRIER METER ZERO control (R127) until a zero meter reading is obtained. This adjustment compensates for the contact potential that may be present across the VTVM (V104).

(3) Set the MOD-XTAL & METER SELECTOR switch (S102) to the % MOD position. The output from (V107) is now applied to the crystal unit (CR101, CR102). Since the % MODULATION control (R165) was set to the fully counterclockwise position, there should be no voltage applied to the crystal unit.

c. RF OUTPUT VOLTAGE CALIBRATION (upper meter scale).

(1) Turn the MICROVOLTS control (R119) to the fully clockwise position.

(2) Set the carrier control (R173) to the fully counterclockwise position.

(3) Set MOD-XTAL & METER SELECTOR switch (S102) to the carrier position.

(4) Set frequency at 100 kc.

(5) Place an electronic voltmeter, such as Multi-meter ME-25/U or equal, between one center contact of the X-200,000 RF OUTPUT jack (J101) and ground.

(6) Rotate the carrier control (R173) in a clockwise direction until 2.0 volts are indicated on the test meter. The signal generator meter (M101) should read "10" on the upper scale. This represents 2.0 volts output when the X-200,000 RF OUTPUT jack (J101) is open circuited.

(7) Adjust the RF sensitivity control (R172) until the signal generator meter (M101) reads "10" on the upper scale when the test meter reads 2.0 volts.

(8) To maintain a calibrated output voltage from the X-MULT RF OUTPUT jack (J102) when operating the signal generator, first rotate the carrier control potentiometer (R173) to the fully counterclockwise position. Turn the carrier control in a clockwise direction until the meter (M101) reads "10". The output from this jack can now be varied by rotating the MICROVOLTS potentiometer (R119) in a counterclockwise direction by selecting the desired attenuation with the RF MULTIPLIER knob (E118). Once the carrier level has been set at "10", the carrier control (R173) should never be used to vary the output from the X-MULT RF OUTPUT jack (J102). Before changing frequency, the carrier control (R173) should first be returned to the fully counterclockwise position and then advanced to the carrier level of "10", after the desired frequency has been selected.

d. PERCENTAGE MODULATION CALIBRATION (lower meter scale) — (See figure 6-14).

(1) Set carrier frequency at 100 kc.

(2) Set MOD-XTAL & METER SELECTOR switch (S102) to the % MOD. position (400 cycles per second).

(3) Set carrier range switch (S101) to the "10" kc-300 kc position.

(4) Feed the output from the X-MULT RF OUTPUT jack (J102) to the vertical input of a test oscilloscope.

(5) Place a graduated celluloid screen over the face of the oscilloscope.

(6) With the RF MULTIPLIER knob (E118) and MICROVOLTS control (R119), adjust the modulated signal amplitude to cover approximately 75 p of the oscilloscope face.

(7) Adjust the audio output control (R165) on the front panel until 50 percent modulation is indicated on the oscilloscope, figure 6-14.

(8) Adjust the sensitivity control (R169) until the meter (M101) also indicates 50 percent on the modulation scale (lower scale).

(9) Adjust the audio output control (R165) on the front panel until 30 percent modulation is indicated on the oscilloscope.

(10) Check the reading of the meter.

(11) If necessary readjust R169 until 30 percent and 50 percent readings are both as accurate as possible, favoring the 30 percent adjustment since this value is used most often.

#### 19. CALIBRATING THE STEP ATTENUATOR (AT101).

a. The voltage attenuation of the step attenuator (AT101) should be checked whenever a resistor in this unit is replaced. Use the (10:1) Fixed Attenuator CN-224/URM-25D and a radio receiver such as Navy Model RBA Series or equivalent for making this check as follows:

(1) Set the RF Signal Generator Set AN/URM-25D for 100 kc carrier frequency with 30% modulation at 400 cycles.

(2) Connect the (10:1) Fixed Attenuator CN-224/URM-25D to J102 and terminate it with the Impedance Adapter MX-1487/URM-25D.

(3) Connect the impedance adapter output to the RBA (or equivalent) receiver.

(4) Adjust the output of the signal generator for a reading of "10" on M101.

(5) Set the RF MULTIPLIER knob (E118) one range above the range in which the resistor was replaced.

(6) Connect a voltmeter such as Multimeter ME-25/U series or equivalent across the output of the RBA receiver.

(7) Tune the receiver to the frequency (100 kc) of the signal generator and record a reference receiver output as indicated by the multimeter.

(8) Reset the RF MULTIPLIER knob (E118) to the attenuation range in question (next lower range).



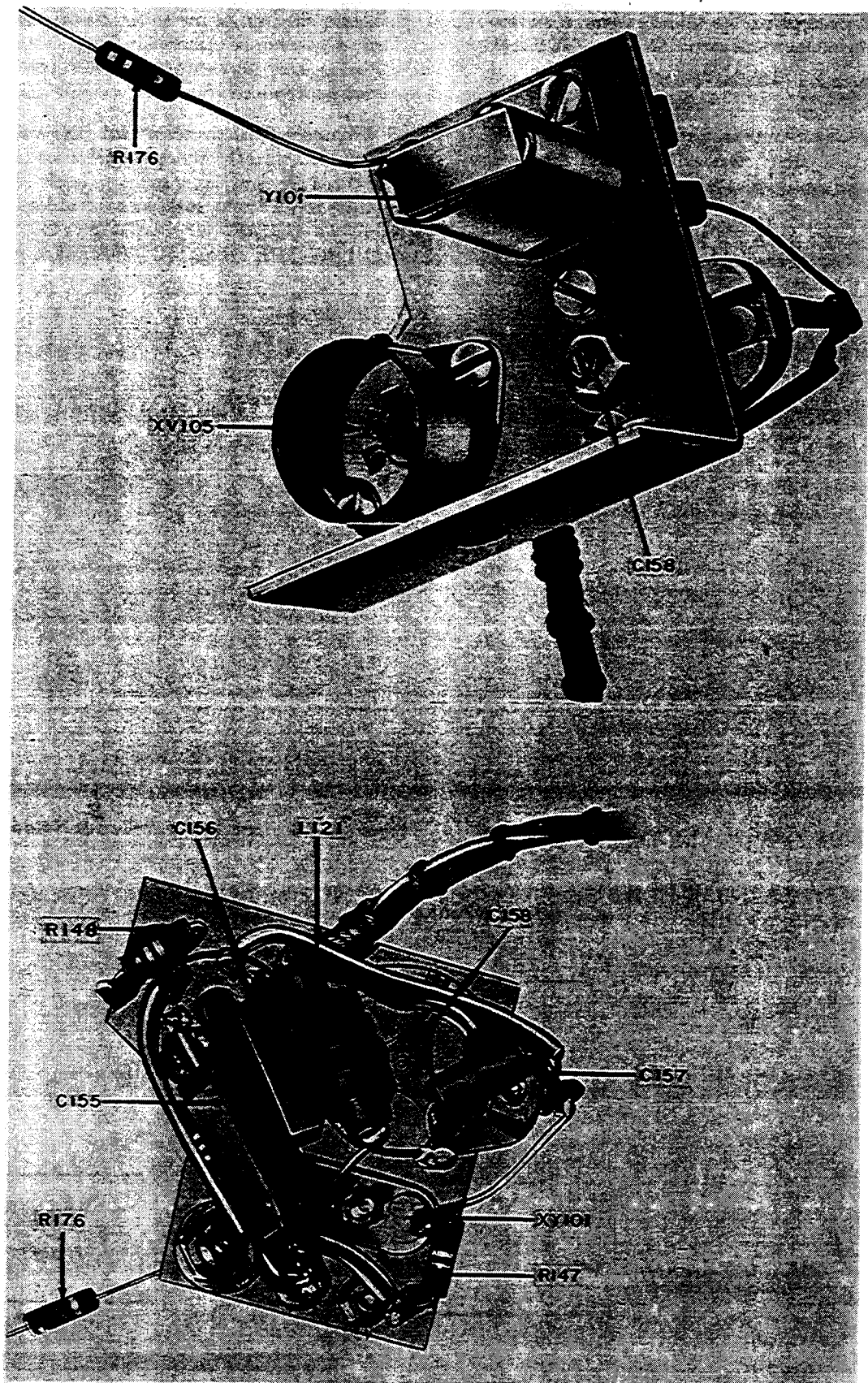


Figure 6-9. Top and Bottom Views of Crystal Calibrator Bracket

**6** Section  
Paragraph 19 a (9)

NAVSHIPS 92134(A)

AN/URM-25D  
CORRECTIVE MAINTENANCE

(9) Remove the (10:1) Fixed Attenuator CN-224/URM-25D and connect the signal generator output at J102 to the Impedance Adapter MX-1487/URM-25D.

(10) Advance the MICROVOLTS control (E116) in a clockwise direction for a meter reading of "10."

(11) The receiver output should be within  $\pm 2\%$  as was indicated in step 7 above. If it is not, the resistor on this range should be replaced.

**Note**

Use a very hot soldering iron when replacing

resistors in the step attenuator (AT101). Apply the iron to the solder surface for a very short period of time. Too long a period of heating may cause the precision resistors to change in value.

b. Whenever it is suspected that the step attenuator ratios are not correct, the procedures outlined in paragraph 19a above may be used as a check. A more complete analysis of step attenuator troubles is given in Table 6-4 - CHART OF SUGGESTED TESTS FOR LOCATING THE SPECIFIC TROUBLE, paragraph 6.

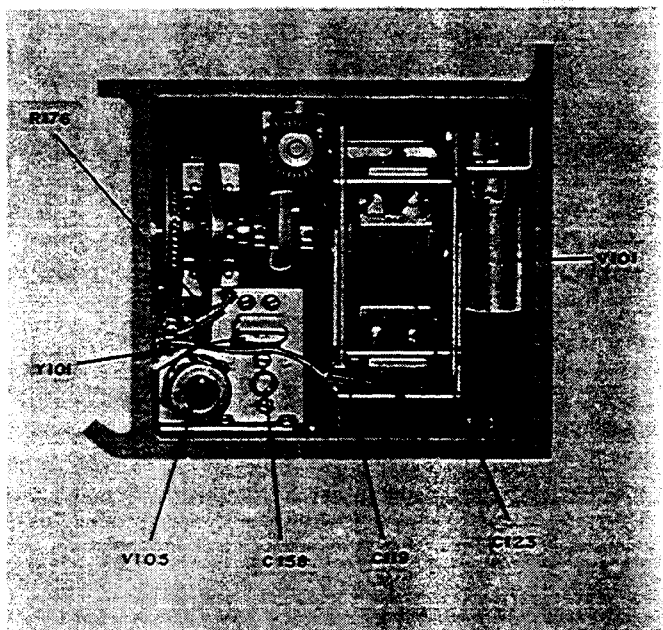


Figure 6-10. Rear View of Oscillator Compartment

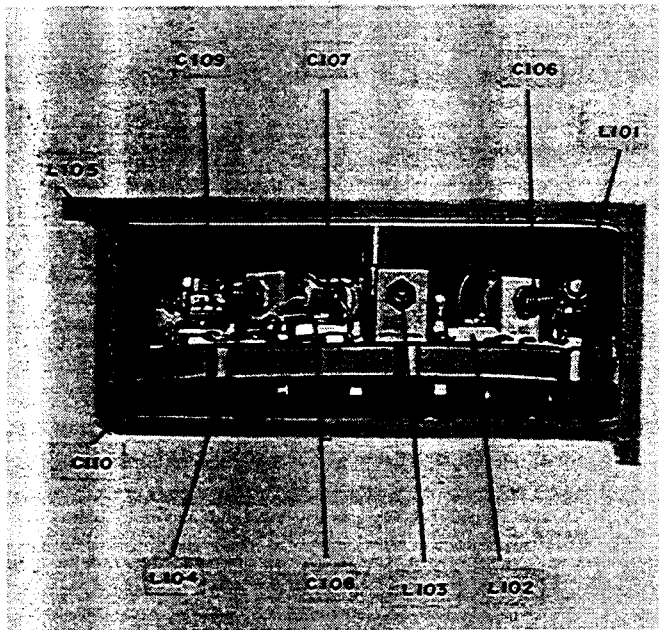


Figure 6-11. Rear View of Turret Selector Switch

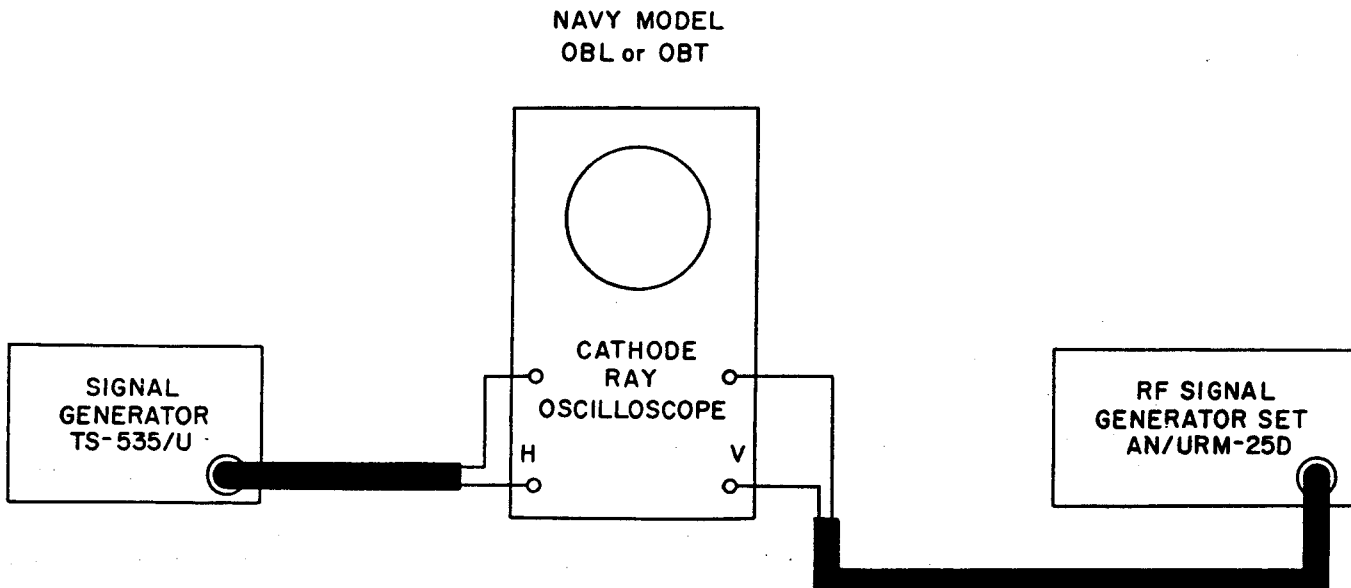


Figure 6-12. Method for Calibrating the RF Signal Generator Set AN/URM-25D at Frequencies Below 100 Kilocycles

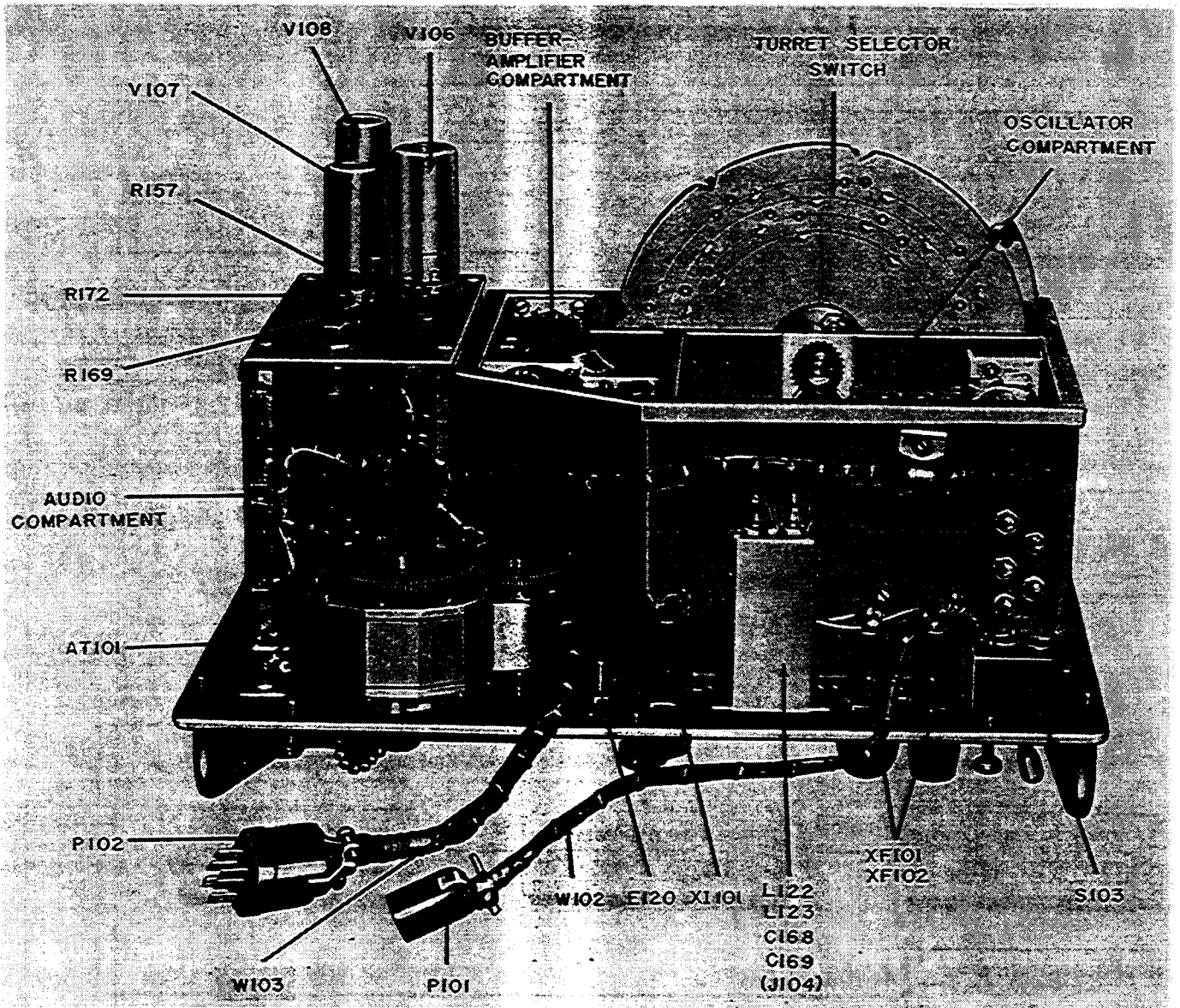
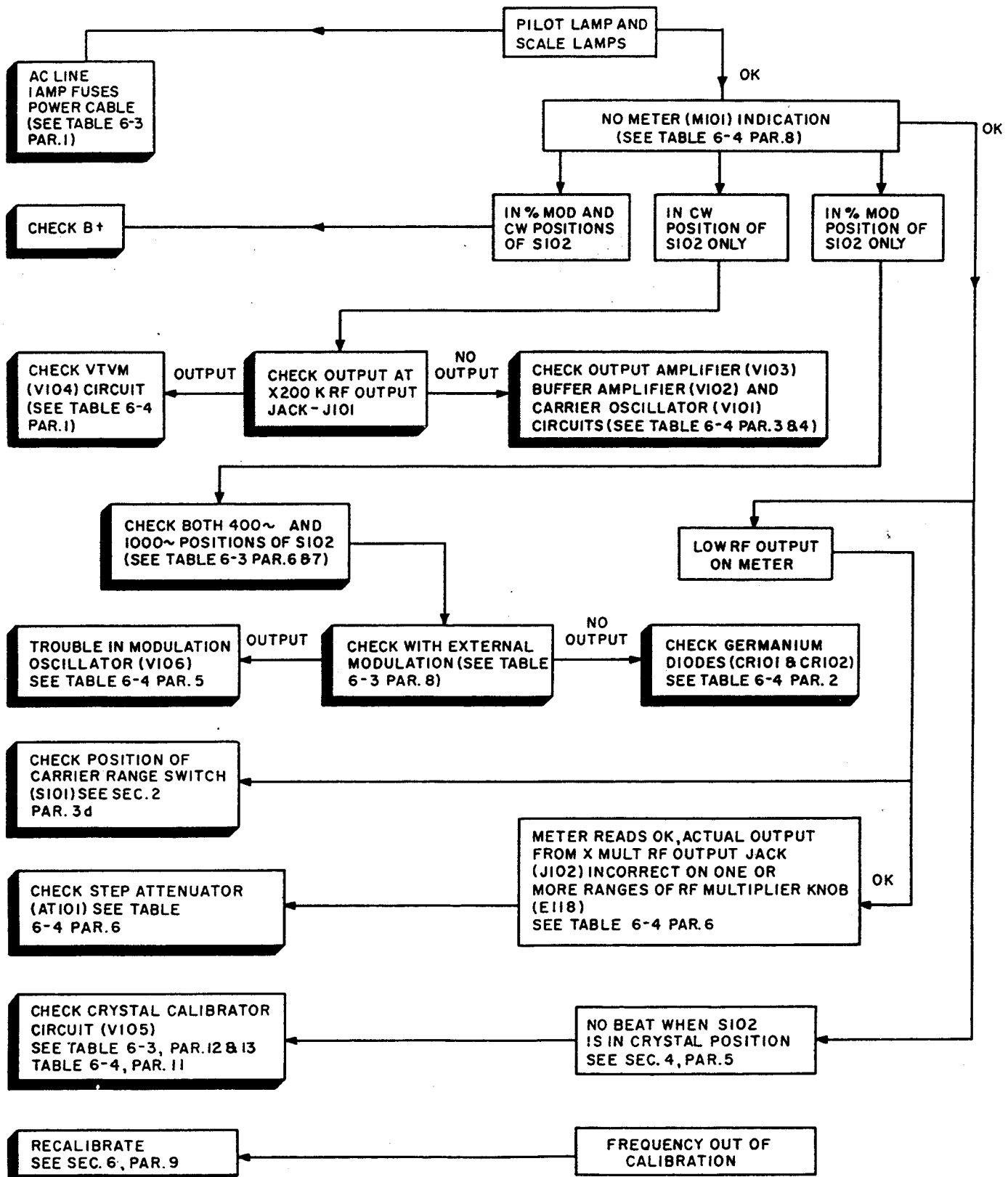


Figure 6-13. Bottom View of Signal Generator SG-85/URM-25D

TABLE 6-1. FREQUENCY CALIBRATION DATA

FREQUENCY RANGE	LOW END — ADJUST INDUCT.		HIGH END — ADJUST CAP.	
	FREQ.	COIL	FREQ.	CAP.
A	10 Kc	L101	30 Kc	C102
B	30 Kc	L102	90 Kc	C104
C	100 Kc	L103	300 Kc	C106
D	300 Kc	L104	900 Kc	C108
E	1.0 Mc	L105	3.0 Mc	C110
F	3.0 Mc	L106	9.0 Mc	C112
G	10 Mc	L107	30 Mc	C114
H	30 Mc	L108	50 Mc	C116

TABLE 6-2. TROUBLE SYMPTOM CHART



**TABLE 6-3. CHART OF GENERAL TEST PROCEDURE FOR LOCALIZING TROUBLE**

Note: The CARRIER (R173) and % MOD, AUDIO OUT, XTAL CAL OUT (R165) controls should always be turned fully counterclockwise before turning power on.

LOCALIZATION AND TYPE OF TROUBLE	SUGGESTED METHOD FOR LOCALIZING TROUBLE
POWER SUPPLY. (See par. 11 of this table for additional check.)	1. Make sure the indicating lamp (I101) or scale lamps (E121 and E122) have been made to light, as evidence that the 115-volt supply mains, fuses, and at least a part of the power supply system is in working order. If none of these lamps light, see Table 6-4, par. 7 on POWER SUPPLY.
VTVM	2. Set the signal generator controls in the following position: a. POWER switch (S103) OFF. b. MOD-XTAL & METER SELECTOR switch (S102) at CW. c. Carrier range switch (S101) at applicable range. d. Carrier control (R173) in extreme counterclockwise position. e. % MOD - AUDIOOUT - XTALCALOUT control (R165) in extreme counterclockwise position. f. Frequency band switch (E119) set for any one of eight ranges.
VTVM	3. Turn the POWER switch (S103) ON. The meter needle should be at the first line on the left. If it can not be zero set see Table 6-4, par. 1 on VTVM circuit trouble.
CARRIER OSCILLATOR, VTVM, BUFFER and OUTPUT AMPLIFIER	4. Advance the carrier control (R173) slowly in a clockwise direction. The meter needle should move up scale correspondingly. If it does, the VTVM, carrier oscillator (at least one range), power supply, buffer and output amplifier are functioning. 5. Set the frequency band switch (E119) successively for each range to see if operation (as in par. 3 above) is obtained for all ranges. If it is, the carrier oscillator and buffer and output amplifier are probably functioning. Operation on some bands and not on others probably indicates a defect in the carrier oscillator (see Table 6-4, par. 4 on CARRIER OSCILLATOR); since the buffer and output amplifiers are untuned and should respond at all frequencies if they respond at one. 6. If, in par. 4 and 5 above, the meter does not move up scale, turn the MOD-XTAL & METER SELECTOR switch (S102) to the 400 cycle position. Slowly advance the % MOD-AUDIO OUT-XTAL CAL OUT control (R165) in a clockwise direction. If the meter now moves up scale, it indicates that there is trouble in the carrier oscillator, VTVM, or buffer and output amplifier circuits (see Table 6-4 Sections on CARRIER OSCILLATOR, VTVM, BUFFER and OUTPUT AMPLIFIER.) This also indicates that the modulation oscillator and modulation crystal voltmeter circuits are functioning.
MODULATION OSCILLATOR	7. If the meter responds to the tests in par. 4, but not in par. 5 above, the trouble is in the modulation oscillator or modulation crystal voltmeter. 8. With the MOD-XTAL & METER SELECTOR switch (S102) at EXT position, carrier range switch (S101) at applicable range, apply an external-audio signal (1000 cycles) to the EXT MOD IN-AUDIO OUT-XTAL CAL OUT jack (J105). Slowly advance the % MOD-AUDIO OUT-XTAL CAL OUT control (R165) in a clockwise direction. If the meter now moves up scale, it indicates that the trouble is in the modulation oscillator.

TABLE 6-3. CHART OF GENERAL TEST PROCEDURE FOR LOCALIZING TROUBLE (Continued)

LOCALIZATION AND TYPE OF TROUBLE	SUGGESTED METHOD FOR LOCALIZING TROUBLE
MODULATION CRYSTAL VOLTMETER	9. If the meter still does not respond to the % MOD-AUDIO OUT-XTAL CAL OUT control (R165), feed the output signal from the X-200K RF OUTPUT jack (J101) to a test oscilloscope. Set the carrier frequency at 100 kc. Place the MOD-XTAL & METER SELECTOR switch (S102) in the CW position. Advance the carrier control (R173) in a clockwise direction until a reading of "10" is obtained on the upper meter scale. With the external modulation applied as in par. 8 above, the modulated pattern should appear on the oscilloscope (figure 6-12). If it does, the trouble was in the modulation crystal voltmeter.
STEP ATTENUATOR (AT101) OR OUTPUT CABLES	10. If the meter responds to the above tests in a satisfactory manner, but there is still no output voltage at the end of output cable (W104), the trouble is in the attenuator (AT101) or output test cable (see Table 6-4, par. 6 and par. 10)
POWER SUPPLY	11. If no meter response or output voltage is obtained from the foregoing tests, the trouble is probably in the power supply (see Table 6-4, par. 7).
CRYSTAL CALIBRATOR	12. Turn MOD-XTAL & METER SELECTOR switch (S102) to XTAL position. Connect a set of earphones to EXT MOD IN-AUDIO OUT-XTAL CAL OUT jack (J105) using 5" cable (W105) and Connector Adapter UG-201/U. Tune signal generator to same even multiple of 1 mc and listen for zero beat. 13. If it is determined, from previous steps, that RF output is present at J101 and if no zero beat is heard at J105, then the crystal calibrator circuit (V105) is defective. (See Table 6-4, par. 11).

TABLE 6-4. CHART OF SUGGESTED TESTS FOR LOCATING THE SPECIFIC TROUBLE

Note: The carrier control (R173) and % MOD - AUDIOOUT - XTALCALOUT control (R165) should always be turned fully counterclockwise before turning power on.

LOCATION AND TYPE OF TROUBLE	SUGGESTED METHOD FOR LOCALIZING TROUBLE
1. VTVM CIRCUIT (V104). a. INOPERATIVE.	Measure the circuit associated with V104, according to figure 6-15, "SIGNAL GENERATOR VOLTAGE AND RESISTANCE CHART", until defect is located.
b. METER (M101) ZERO ADJUSTMENT.	(1) The inability to zero set the meter can only be observed when S102 is in the CW or XTAL position. (2) If the meter cannot be zero adjusted (carrier control set to maximum counterclockwise position, power on) by means of the CARRIER METER ZERO (R127). (a) Replace 5726 (V104) tube. (b) Check DC voltage on R127 and R125. (c) Make checks suggested in 1 (a) above.

TABLE 6-4. CHART OF SUGGESTED TESTS FOR LOCATING THE SPECIFIC TROUBLE (Continued)

LOCATION AND TYPE OF TROUBLE	SUGGESTED METHOD FOR LOCALIZING TROUBLE
<p>2. MODULATION CRYSTAL VOLTMETER INOPERATIVE.</p>	<p>a. The modulation crystal voltmeter (CR101 and CR102) rectifies the modulation signal which is obtained from the output of V107 and read on the lower scale of the meter (M101) when S102 is in the MOD position. If it is determined that this circuit is defective, replace CR101 and CR102.</p> <p style="text-align: center;"><b>Note</b></p> <p>No zero set is necessary since germanium diodes do not have contact potential.</p> <p>b. If replacing CR101 and CR102 does not remedy the trouble, make continuity checks throughout the circuit.</p>
<p>3. BUFFER AND OUTPUT AMPLIFIER STAGES INOPERATIVE (V102, V103).</p>	<p>a. If preliminary tests have indicated that the buffer and output amplifier stages are inoperative, and proceed with the following tests.</p> <p>b. Test DC voltages with the tubes (V102 and V103) in their respective sockets; M101 set for "10" and carrier frequency set to 100 kc.</p> <p><i>V102</i></p> <p>Heater - 6.3v AC Plate Voltage - +215v DC Cathode Voltage - +2v DC Control Grid Voltage - 0 Screen Grid Voltage - +150v DC Suppressor Grid Voltage - 0</p> <p><i>V103</i></p> <p>Heater - 6.3v AC Plate Voltage - +220v DC Cathode Voltage - +5.2v DC Control Grid Voltage - 0 Screen Grid Voltage - +150v DC Suppressor Grid Voltage - 0</p> <p>DC measurements made from socket terminals to chassis with a 20,000 ohms per volt voltmeter.</p> <p>c. If the voltages are correct, but the buffer-output amplifiers are still inoperative, make a circuit continuity test with an ohmmeter until the defect is located.</p> <p style="text-align: center;"><b>Note</b></p> <p>Check the tubes with a tube checker even though voltage checks are correct. Change in tube characteristic (e.g. transconductance etc.) may not be shown in voltage checks but may actually be the source of trouble.</p>
<p>4. CARRIER OSCILLATOR (V101).</p> <p>a. INOPERATIVE.</p>	<p>(1) If preliminary tests have indicated that the carrier oscillator is inoperative in all ranges, remove the signal generator from its cabinet and proceed with the following tests:</p> <p>(a) Set the POWER switch (S103) in ON position and the frequency to 100 kc with the carrier oscillator tube (V101) in its socket, and test the tube voltages.</p> <p>Heater Voltage: 6.3v AC Plate Voltage: Varies between 0 and 150v DC depending on setting of carrier control (R173). (Checking this may or may not cause circuit to stop oscillating.) Grid Voltage: 0 to -0.5v DC (Varies with rotation of carrier control (R173).</p>

TABLE 6-4. CHART OF SUGGESTED TESTS FOR LOCATING THE SPECIFIC TROUBLE (Continued)

LOCATION AND TYPE OF TROUBLE	SUGGESTED METHOD FOR LOCALIZING TROUBLE		
	Cathode Voltage: Varies between 0 and 10v DC. (b) Turn the POWER switch (S103) to OFF position and make the following resistance checks from grid to ground and grid to cathode, setting the frequency band switch knob (E119) to each corresponding position:		
	BAND	RESISTANCE (grid to ground)	RESISTANCE (grid to cathode)
	A B C D E F G H	220K 150K 33K 10K 2.2K 22,000 ohms 10,000 ohms 4,700 ohms	267K 172K 51K 16.8K 4.4K 22,000 ohms 10,000 ohms 4,700 ohms
	(c) If the ohmmeter reads "open" in any position of the frequency band switch knob (E119), either the corresponding coil, grid resistor, or cathode resistor is open. (d) If all voltage and continuity checks are correct, replace the tube and check results.		
b. ERRATIC PERFORMANCE.	(1) Erratic performance of the carrier oscillator in a given band position is often difficult to trace. As a remedy, the following may be tried: (a) Substitute a new tube. <div style="text-align: center;"><b>Note</b></div> DO NOT DISTURB ADJUSTMENTS UNTIL POSITIVE TUBE IS AT FAULT. (b) Check the frequency band turret contacts. (c) Check for a dirty or a faulty carrier control (R173). (d) Make visual inspection of main tuning capacitor (C123) for dirt, bent plates, etc. (2) Make visual inspection of the oscillator coil for the range in question.		
c. EXCESSIVE VOLTAGE NEEDED ON CARRIER CONTROL (R173).	(1) Often defects in the resonant system (oscillator coils, capacitors, and grid resistors) can be suspected if a greater than normal amount of plate voltage is necessary in order to develop the required voltage output. (2) Check normal voltages between the slider (center lug) of the carrier (R173) and ground, in the following manner. (The carrier control should be set in the fully counterclockwise position): (a) POWER switch (S103) ON. (b) Carrier range switch (S101) to applicable range. (c) MOD, XTAL & METER SELECTOR switch (S102) at CW. (d) Main tuning dial (N102) set at beginning of all bands. (e) Oscillator plate voltages required for "10" meter reading. (1) Bands A through F — less than 100v DC. (2) Bands G and H — less than 150v DC.		



TABLE 6-4. CHART OF SUGGESTED TESTS FOR LOCATING THE SPECIFIC TROUBLE (Continued)

LOCATION AND TYPE OF TROUBLE	SUGGESTED METHOD FOR LOCALIZING TROUBLE
<p>5. MODULATION OSCILLATOR.</p> <p>a. INOPERATIVE ON BOTH 400 AND 1000 CYCLES.</p> <p>b. INOPERATIVE ON ONLY ONE FREQUENCY (400 OR 1000 CYCLES).</p> <p>c. ERRATIC OPERATION OR PRESENCE OF AMPLITUDE DISTORTION.</p>	<p>(1) If it is indicated that the modulation oscillator is inoperative on both frequencies (400 and 1000 cycles), the probable defective part is some element common to both frequency position of the MOD-XTAL &amp; METER SELECTOR switch (S102).</p> <p>(2) One possible trouble is too high a degree of degeneration. This degeneration is dependent upon the resistance ratio of R157 (degeneration control) and R159. Although the degeneration control (R157) is a locking type potentiometer, vibration may have changed its value. If its resistance is too small, the degeneration will be too great and oscillations will be inhibited. Sometimes increasing the resistance (R157) will assist the oscillator in breaking into oscillation. If this is the case, set this resistor at the point where oscillations just begin.</p> <p>(3) If a spare tube is available, it is sometimes most expedient to replace the old tube.</p> <p>(4) If replacing the tube does not solve the problem, continuity and voltage checks should be made. In making these voltage checks, refer to Table 6-5 TUBE OPERATING VOLTAGES AND CURRENTS.</p> <p>(1) If the modulation oscillator is inoperative on only one frequency, the solution is relatively simple.</p> <p>(2) The defective element is probably one of the bridge resistors (R152, R153, R154 and R155).</p> <p>(3) Make the necessary resistance checks.</p> <p>(1) If the locking device on the degeneration resistor (R157) is loosened, mechanical vibration may cause a variation of resistance and hence degeneration. This may result in erratic operation or amplitude distortion. Check this control and tighten the locknut.</p>
<p>6. STEP ATTENUATOR (AT101).</p> <p>Note: Use multimeter ME-25/U Series or equivalent for tests in Items a, b and c. below.</p> <p>a. NO OUTPUT ON ALL STEPS.</p>	<p>(1) If there is output from J101 but no output from J102 in all steps of AT101, the 500 ohms resistor (R130) may be burned out, or the coaxial cable of the attenuator may be open.</p> <p>(2) The following indirect check of R130 and the coaxial cable may be made from RF OUTPUT-X-200K- OPEN CIRCUIT jack J101 to ground; without removing the signal generator from its case.</p> <p>(a) Turn power switch S103 off.</p> <p>(b) Place the output/range switch S101 to X200K position.</p> <p>(c) Set the RF MULTIPLIER (AT101) to the X10K step.</p> <p>(d) Under the above conditions the normal resistance from J101 to ground is 655 ohms.</p> <p>(3) The resistance of the 500 ohm resistor R130 (see fig. 6-6) may be measured, without unsoldering, by placing the ohmmeter test leads directly across it.</p> <p>(4) Continuity of the coaxial cable leading to AT101 may be determined by disconnecting it at jack J103 and measuring the resistance from the center pin of the BNC plug (UG-88/U) to ground. The resistance should be 55.5 ohms.</p>

TABLE 6-4. CHART OF SUGGESTED TESTS FOR LOCATING THE SPECIFIC TROUBLE (Continued)

LOCATION AND TYPE OF TROUBLE	SUGGESTED METHOD FOR LOCALIZING TROUBLE
<p>b. NO OUTPUT ON ONE OR MORE, BUT NOT ALL STEPS.</p>	<p>(1) One of the step attenuator series resistors (R132, R134, R136, R138, R140) is burned out. This may be determined without removing the signal generator from its case as follows:</p> <p>(a) Place the output/range switch (S101) to X-MULT position.</p> <p>(b) Make sure POWER switch (S103) is turned off.</p> <p>(c) Make connection to RF OUTPUT X-MULT jack J102. Use a short length of coaxial cable and a BNC plug type UG-88/U for this connection.</p> <p>(d) If one of the series resistors R134, R136, R138 and R140 is open the reading obtained to ground on two successive positions will be 55 ohms instead of the normal 50 ohms. For example, if series resistor R138 is open; the readings obtained on steps X10 and X1 will be 55 ohms. If the series resistor R132 is open, the readings on X10K and X1K will be 61.8 and 55 ohms respectively.</p>
<p>c. APPROXIMATELY 2:1 INSTEAD OF 10:1 ATTENUATION BETWEEN TWO SUCCESSIVE STEPS.</p>	<p>(1) One of the step attenuator shunt resistors (R133, R135, R137 and R139) is probably burned out.</p> <p>(2) Check the resistance at J102 to ground, if one of the above shunt resistors is open a reading of 275 ohms to ground at any of the respective positions: X1K, X100, X10, X1 will indicate that defective resistor (See fig. 2-8).</p> <p>(3) If one of the shunt resistors R131 or R141 is open the readings obtained at the K10K or 0.1 positions, respectively, will be 550 ohms.</p>
<p>d. REPLACING STEP ATTENUATOR RESISTORS.</p>	<p>(1) Recalibrate step attenuator ratios for range in which resistor was replaced, using (10:1) Fixed Attenuator CN-224/URM-25D and a radio receiver such as Navy Model RBA series or equivalent. Follow the procedure outlined in Section 6, par. 17.</p> <div style="text-align: center; border: 1px solid black; padding: 5px; width: fit-content; margin: 10px auto;"> <p><b>CAUTION</b></p> </div> <p>Resistance measurements at J102 should be made with a resistance bridge such as Resistance Bridge ZM-4/U, or equivalent, to avoid burning out one of the step attenuator resistors. If the electronics technician uses an ordinary ohmmeter, great care must be exercised to see that this ohmmeter does not place a current in excess of 20 milliamperes through the attenuator circuit while testing. Any repairs to the attenuator should be made by qualified technicians.</p>
<p>7. POWER SUPPLY PP-977/URM-25D</p> <p>a. INOPERATIVE.</p>	<p>(1) Check line fuses F101 and F102.</p> <p>(2) With an ohmmeter check interconnecting cables W102 and W103 for continuity.</p> <p>(3) Check power transformer (T201).</p> <p>(4) If no B+, check rectifier tube V201, filter choke L201 and series resistor R201.</p>
<p>b. OVERHEATING.</p>	<p>(1) Check for short circuited turns on T201.</p> <p>(2) Check for partial breakdown of C201, C202, and C203. It is sometimes best to replace one or all of these capacitors, if it is suspected that one of them is defective. A voltage or ohmmeter check will not always identify this trouble.</p>

TABLE 6-4. CHART OF SUGGESTED TESTS FOR LOCATING THE SPECIFIC TROUBLE (Continued)

LOCATION AND TYPE OF TROUBLE	SUGGESTED METHOD FOR LOCALIZING TROUBLE
c. LOSS OF REGULATION.	<p>(1) Check with a variac or variable voltage source. Change the line voltage from 103v to 126v AC. The + 150v DC output should not change. This does not apply to the unregulated + 220v DC supply.</p> <p>(2) Replace regulator tube (V108) if the B+ does not remain steady at 150v DC.</p>
8. HUM MODULATION.	<p>a. Listen for power line hum (impressed on carrier frequency) or check output on scope.</p> <p>b. Check for unshielded leads between signal generator and receiver. All leads between these units should be shielded.</p> <p>c. Check for mechanical vibrations of T201. Tightly secure the transformer mounting.</p> <p>d. Change the oscillator tube (V101).</p>
<p>9. ACCESSORY UNITS.</p> <p>a. IMPEDANCE ADAPTER MX-1487/URM-25D.</p> <p>b. ANTENNA SIMULATOR SM-35/URM-25.</p> <p>c. (5:1) FIXED ATTENUATOR CN-223/URM-25D.</p> <p>d. (10:1) FIXED ATTENUATOR CN-224/URM-25D.</p> <p>e. TEST LEAD CX-1363/U.</p>	<p>If it is suspected that any one of these accessory units is defective, a simple continuity check will readily indicate the source of trouble.</p> <div style="text-align: center; border: 1px solid black; padding: 5px; width: fit-content; margin: 10px auto;"> <p><b>CAUTION</b></p> </div> <p>When making a resistance check on the Impedance Adapter MX-1487/URM-25D be sure the lowest ohmmeter resistance range is used. Ohmmeters with internal batteries larger than 1.5v may burn out the resistor in the impedance adapter. Where greater accuracy is desired, resistance measurements should be made with the Resistance Bridge ZM-4/U or equivalent.</p>
10. OUTPUT CABLES.	Check leakage resistance with a megger (high resistance ohmmeter).
11. CRYSTAL CALIBRATOR (V105).	<p>If the check in Table 6-3 under CRYSTAL CALIBRATOR indicates that this unit is defective, the following tests should be made to localize the trouble.</p> <p style="text-align: center;"><b>Note</b></p> <p>The output beat of the crystal calibrator is amplified by both sections of the beat note amplifier (V106) and the cathode follower (V107). Make sure that this stage is functioning (Table 6-3, under MODULATION OSCILLATOR) before deciding that the V105 circuit is defective.</p> <p>(1) Replace crystal (Y101), then tube V105 if available. These parts are the most common source of trouble in the crystal calibrator.</p> <p>(2) If a substitute tube and crystal are not available, check V105 in a tube checker.</p> <p>(3) Make circuit continuity and voltage tests. Figure 6-15 indicates the normal socket to ground voltages and resistances for V105. The following readings from socket pins to ground indicate that either the tube V105 or crystal Y101 is defective. Measurements should be made with a 20,000 ohm/DC and 1000 ohm/VAC meter.</p>

TABLE 6-4. CHART OF SUGGESTED TESTS FOR LOCATING THE SPECIFIC TROUBLE (Continued)

LOCATION AND TYPE OF TROUBLE	SUGGESTED METHOD FOR LOCALIZING TROUBLE			
	PIN	CORRECT	CRYSTAL (Y101) DEFECTIVE	TUBE (V105) DEFECTIVE (NOT CONDUCTING)
b. FREQUENCY CALIBRATION.	1	-8v DC	-0.2v Dc	0
	2	approx. 0.1	approx. 0.1	0
	3	0		0
	4	6.3v DC	6.3v DC	0 if filaments are open 6.3v AC if filaments are not open.
	5	125v DC	8v DC	220v DC
	6	95v DC	45v DC	220v DC
	7	0.1v DC	0.25v DC	0
<p>(1) Provision is made for calibrating the 1 mc frequency of the crystal calibrator, if it is suspected that its accuracy has fallen off in excess of <math>\pm 0.05\%</math>. The calibration should be accomplished in the following manner:</p> <p>(a) Remove RF Signal Generator SG-85/URM-25D. (See par. 8a).</p> <p>(b) Connect the signal generator unit to Power Supply PP-977/URM-25D.</p> <p>(c) Tune a receiver, such as Navy Model RBC series to the 5 mc signal of Navy station WWV.</p> <p>(d) Turn the signal generator on and CARRIER CONTROL fully counter-clockwise.</p> <p>(e) Turn MOD-XTAL &amp; METER SELECTOR switch (S102) to XTAL position. Connect a lead from the X-200K RF OUTPUT jack J101 to the antenna input on the RBC. Sufficient crystal output will be available at J101 to drive the receiver.</p> <p>(f) With the receiver tuned to WWV, adjust crystal frequency adjusting capacitor (C158) (figure 6-9) for zero beat (fifth harmonic of 1 mc crystal) against WWV. A set of earphones or speaker can be used for monitoring this beat.</p>				

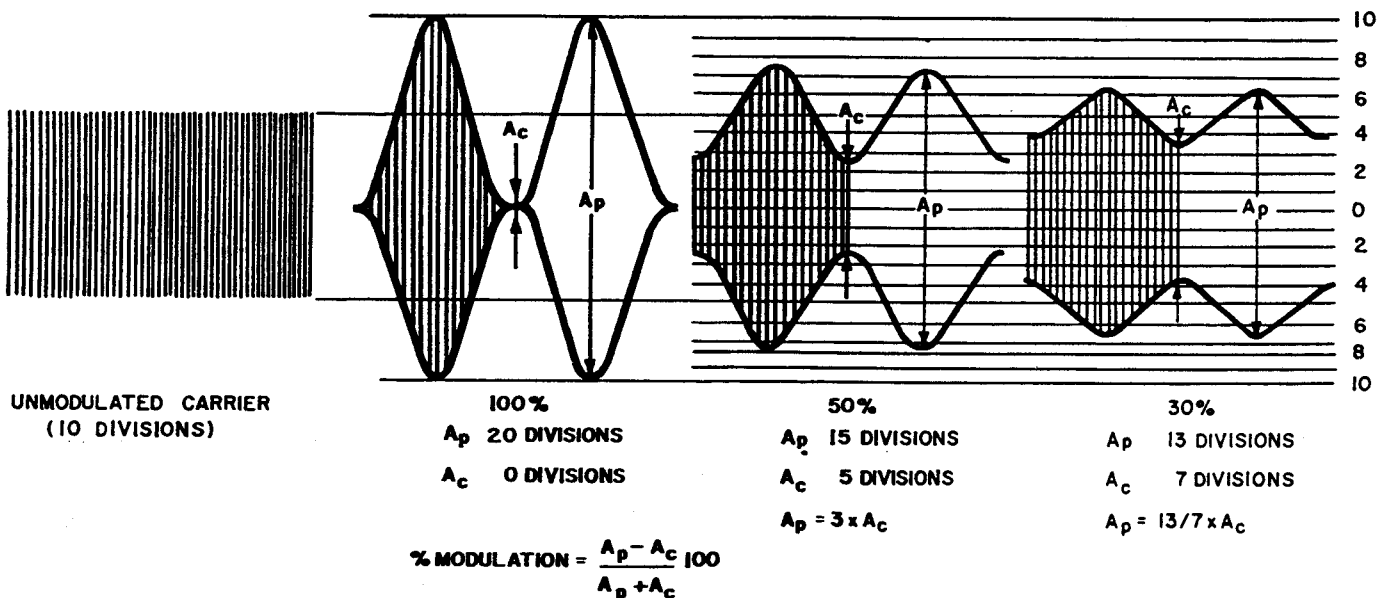
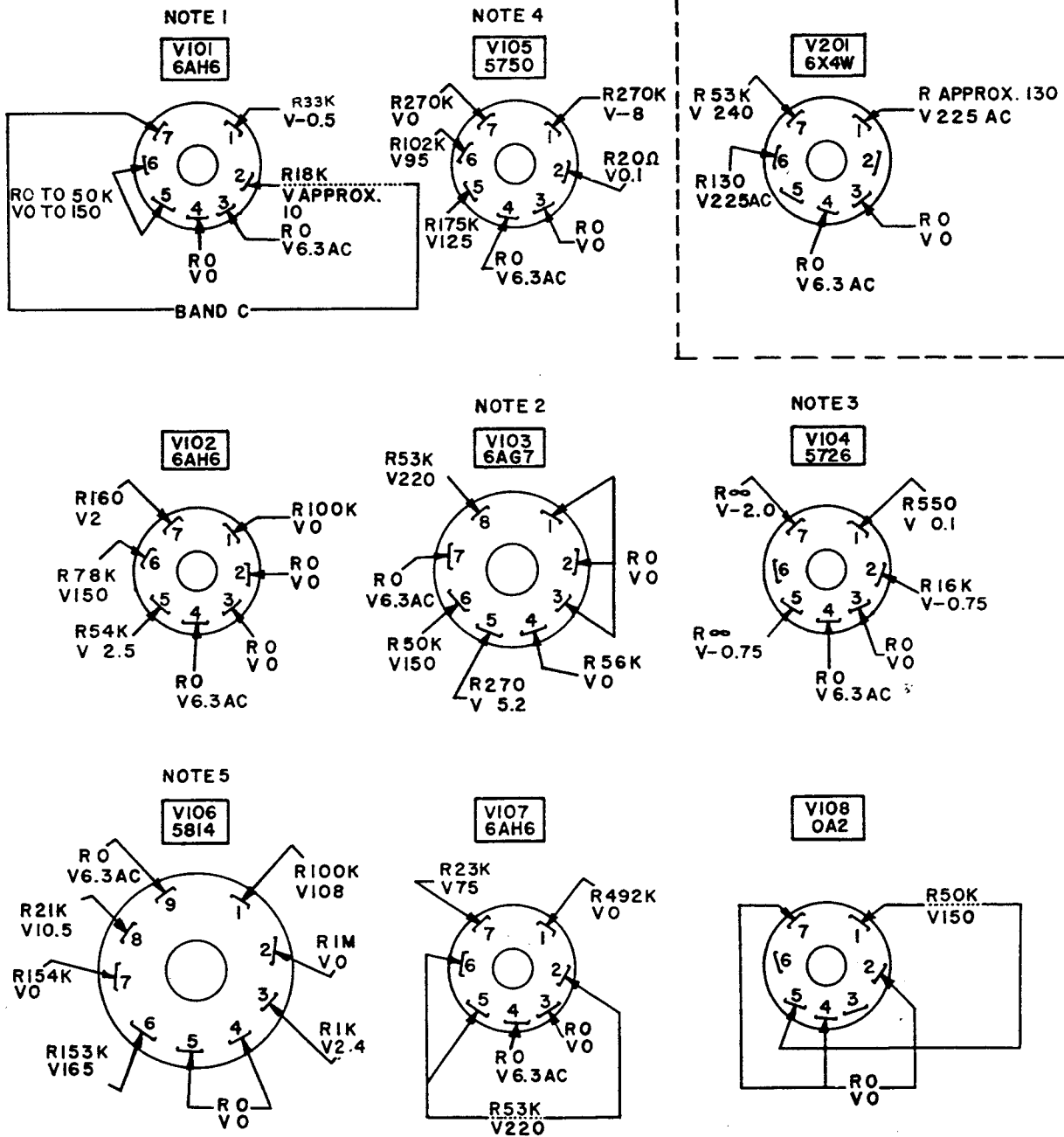


Figure 6-14. Percentage Modulation Chart



- NOTES:
1. READINGS MADE WITH SIGNAL GENERATOR SET IN FOLLOWING OPERATING CONDITIONS:
    1. BAND "C" OPERATION (.95 - 300 KC)
    2. S102 SWITCH IN CRYSTAL OR CW POSITION
    3. CAUTION: DO NOT MEASURE RESISTANCE FROM PINS 5 OR 7 TO GROUND WITH S102 IN CRYSTAL OR CW POSITION, HOWEVER, VOLTAGE READINGS WERE TAKEN WITH S102 IN CW POSITION, M101 SET TO 10 MV, AND FREQUENCY SET TO 10 KC
    4. S102 IN CRYSTAL POSITION
    5. S102 IN 1000 CYCLE POSITION
- RESISTANCE AND VOLTAGE MEASUREMENTS MADE BETWEEN TEST POINT AND GROUND.  
ALL DC READINGS TAKEN WITH A 20,000 OHMS/VOLT METER.  
ALL AC READINGS TAKEN WITH A 1,000 OHMS/VOLT METER.

Figure 6-15. Signal Generator Voltage and Resistance Chart

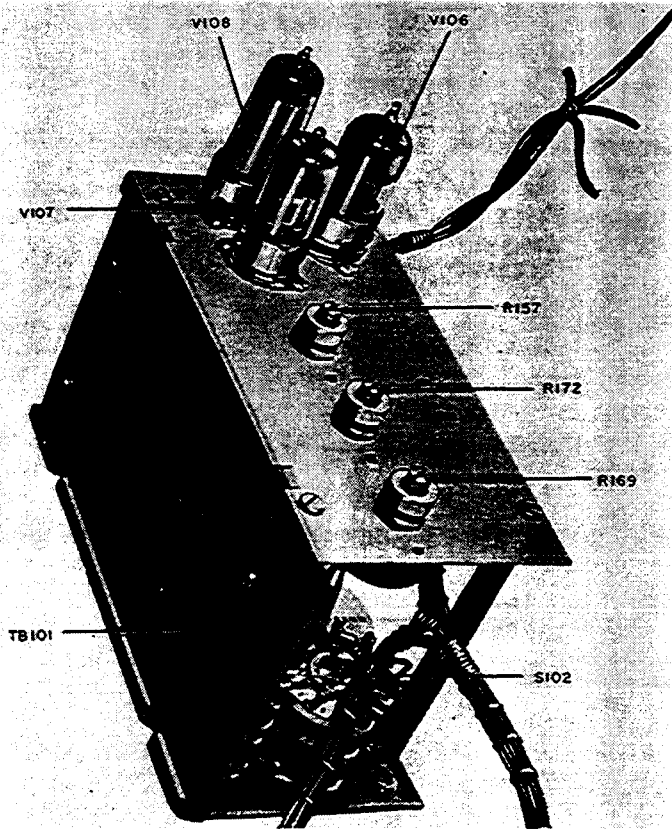


Figure 6-16. Rear View of Audio and Metering Unit

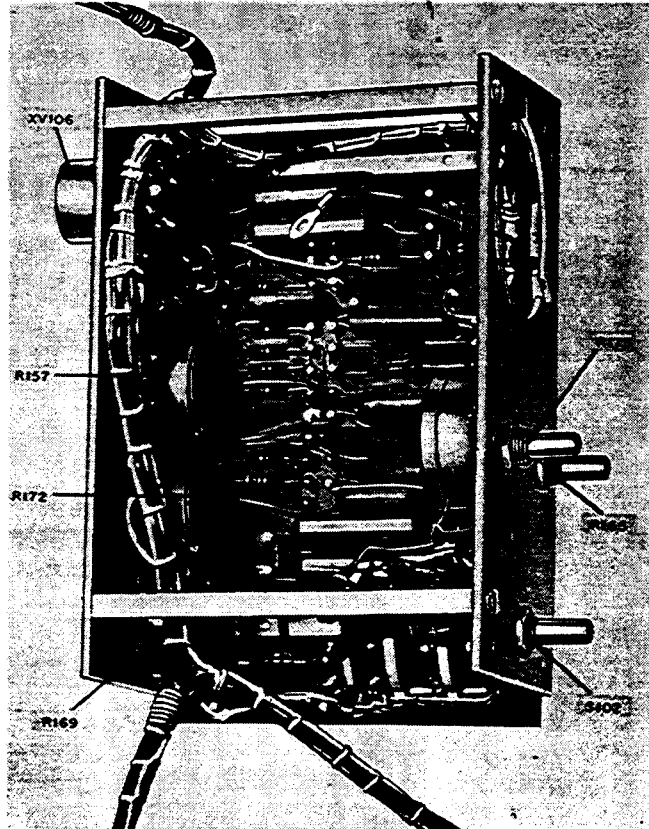


Figure 6-17. Interior View of Audio and Metering Unit Showing Terminal Board and Position of Resistors

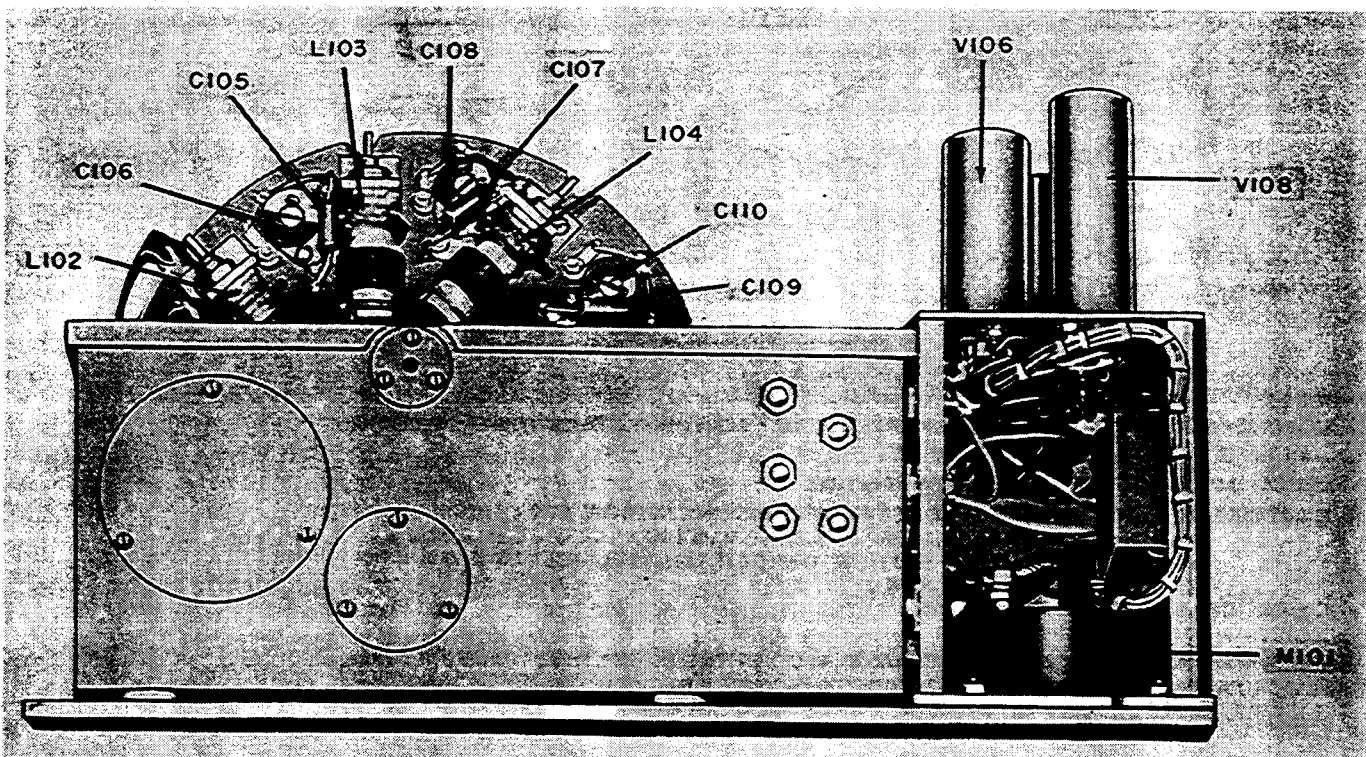


Figure 6-18. Top View of Signal Generator SG-85/URM-25D

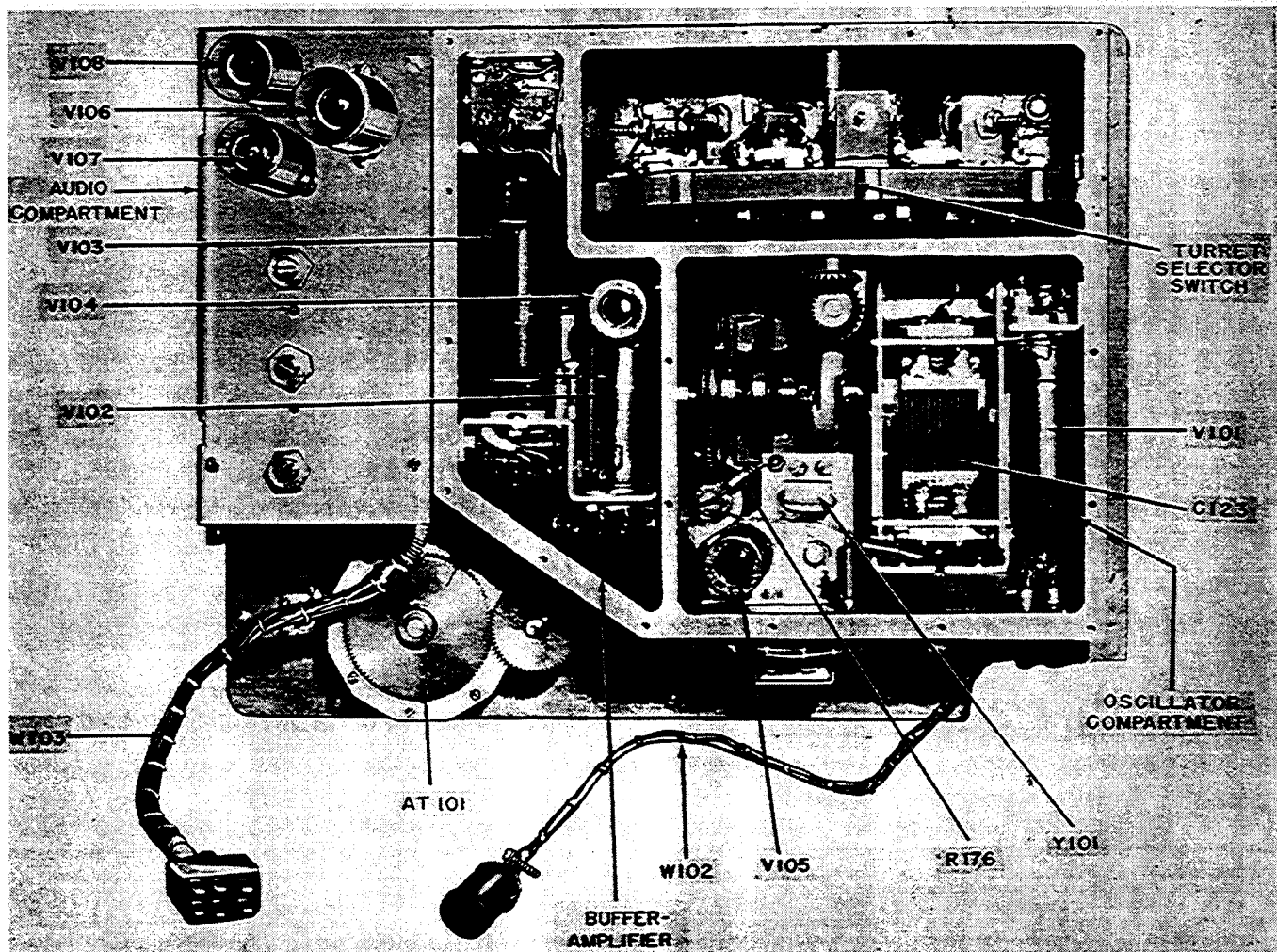


Figure 6-19. Rear View of Signal Generator SG-85/URM-25D

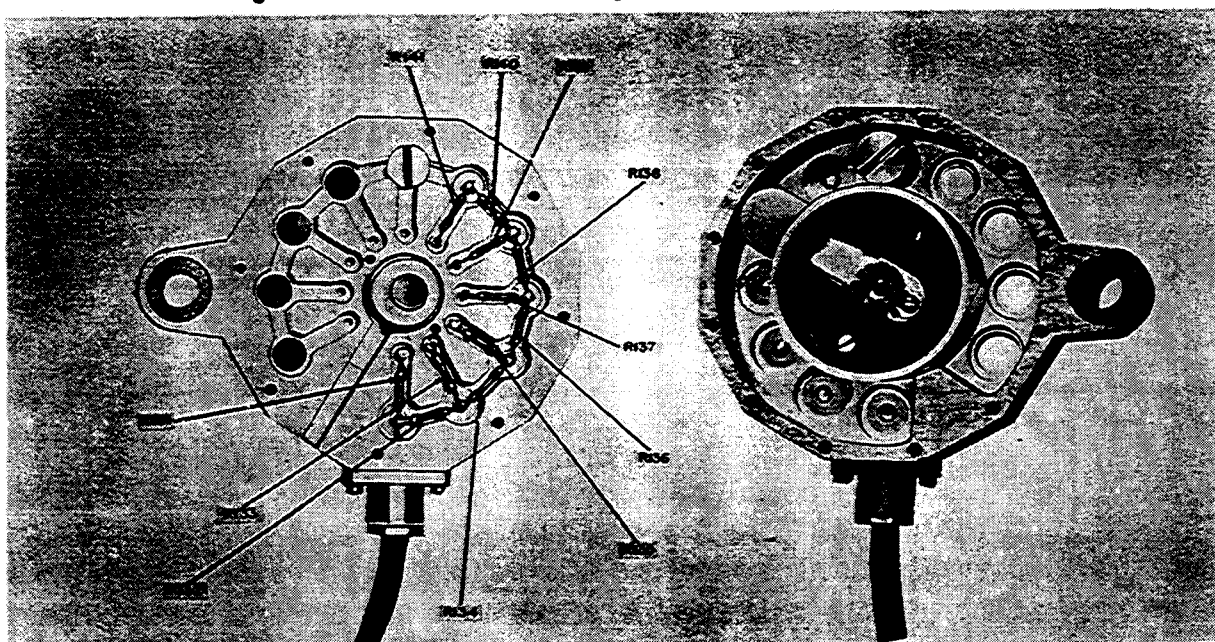


Figure 6-20. Top and Bottom Interior Views of Step Attenuator AT101



Figure 6-21. Top and Bottom Views of the Power Supply PP-977/URM-25D

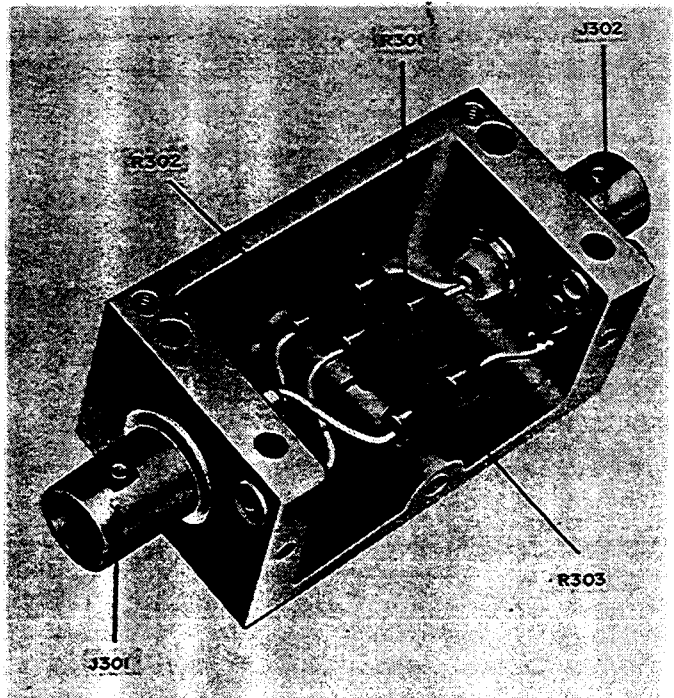


Figure 6-22. Interior View of (5:1) Fixed Attenuator CN-223/URM-25D

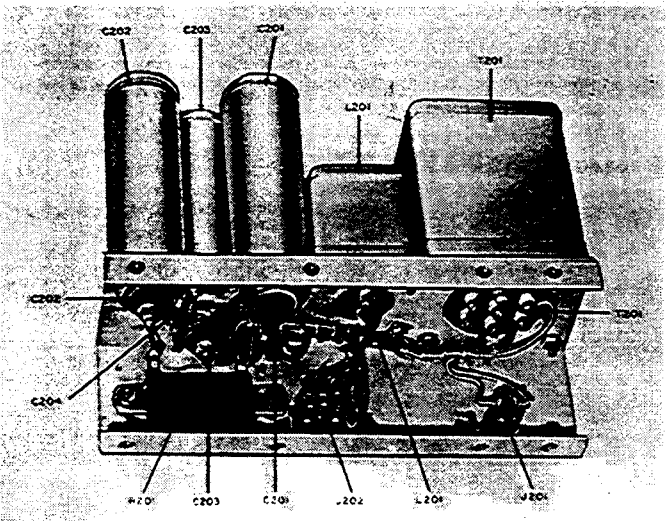
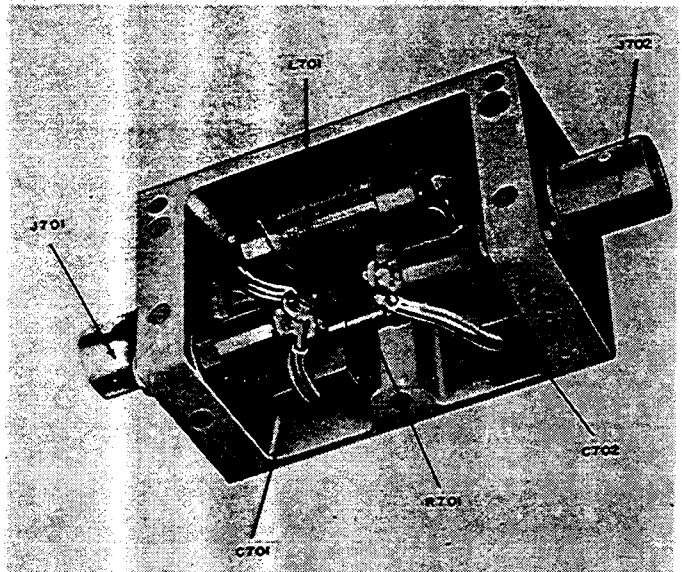
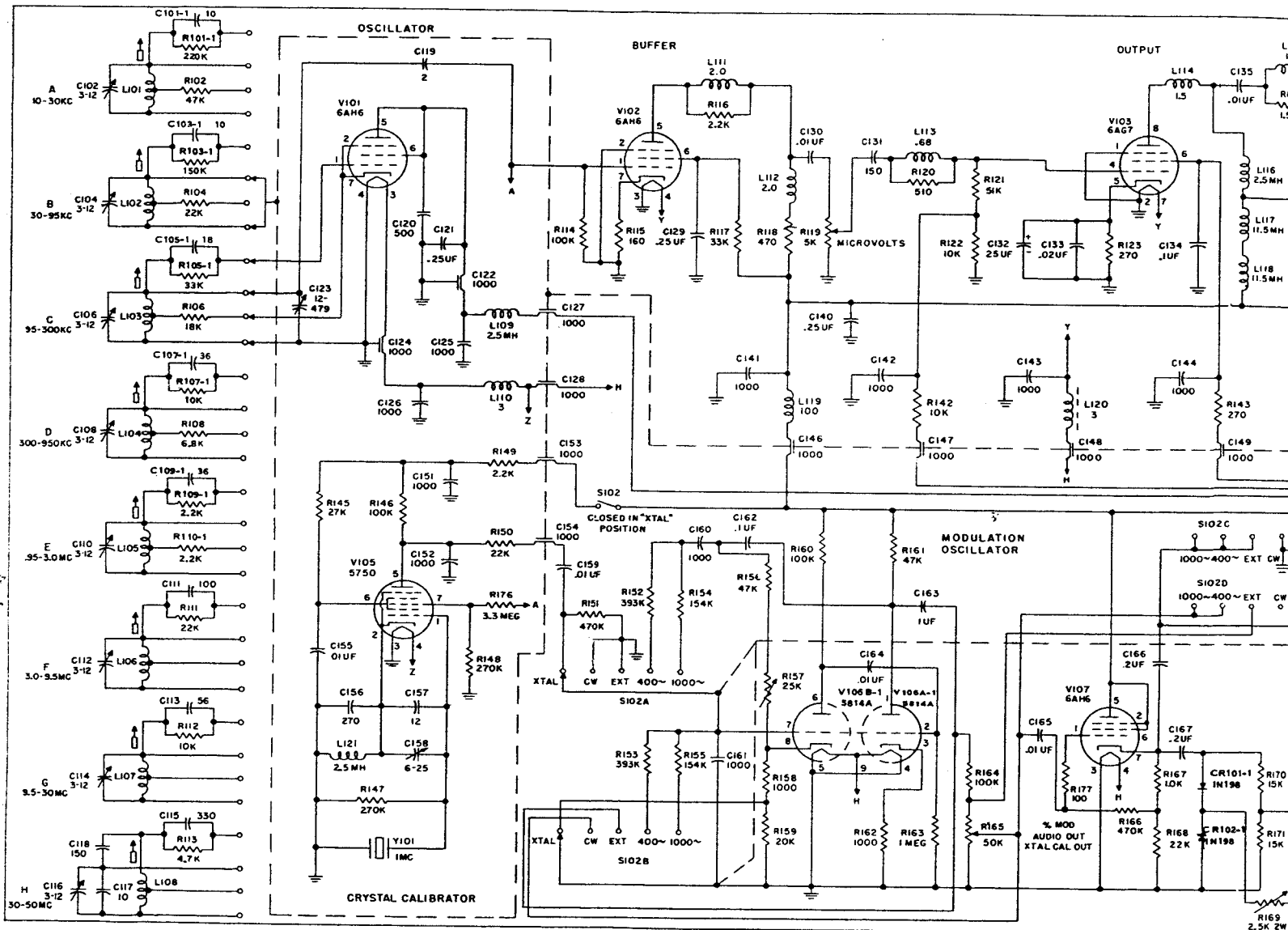
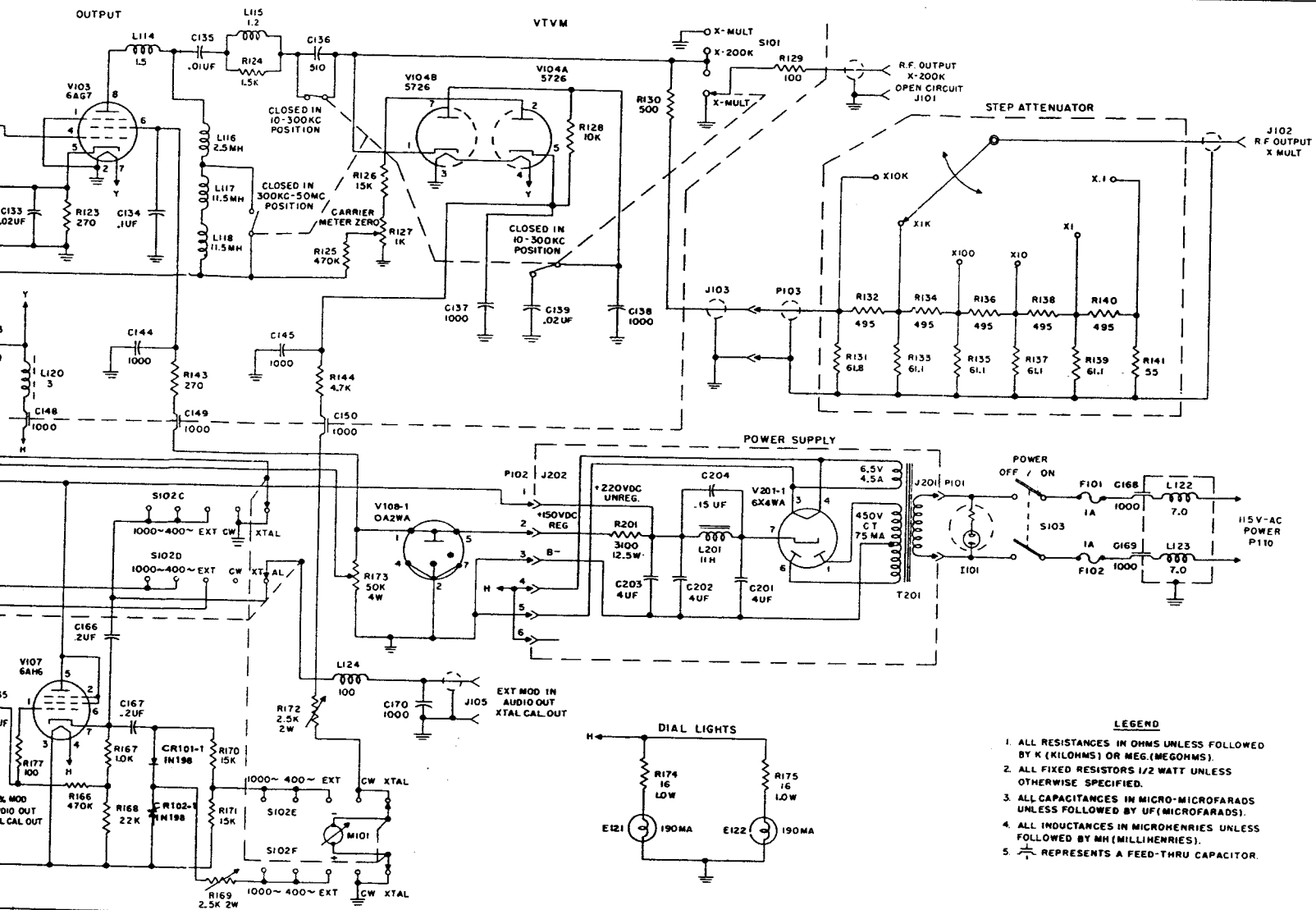


Figure 6-23. Interior View of Antenna Simulator SM-35/URM-25









- LEGEND**
1. ALL RESISTANCES IN OHMS UNLESS FOLLOWED BY K (KILOHMS) OR MEG.(MEG OHMS).
  2. ALL FIXED RESISTORS 1/2 WATT UNLESS OTHERWISE SPECIFIED.
  3. ALL CAPACITANCES IN MICRO-MICROFARADS UNLESS FOLLOWED BY UF (MICROFARADS).
  4. ALL INDUCTANCES IN MICROHENRIES UNLESS FOLLOWED BY MH (MILLIHENRIES).
  5. REPRESENTS A FEED-THRU CAPACITOR.

Figure 6-24. RF Signal Generator Set AN/URM-25D, CHANGE 1

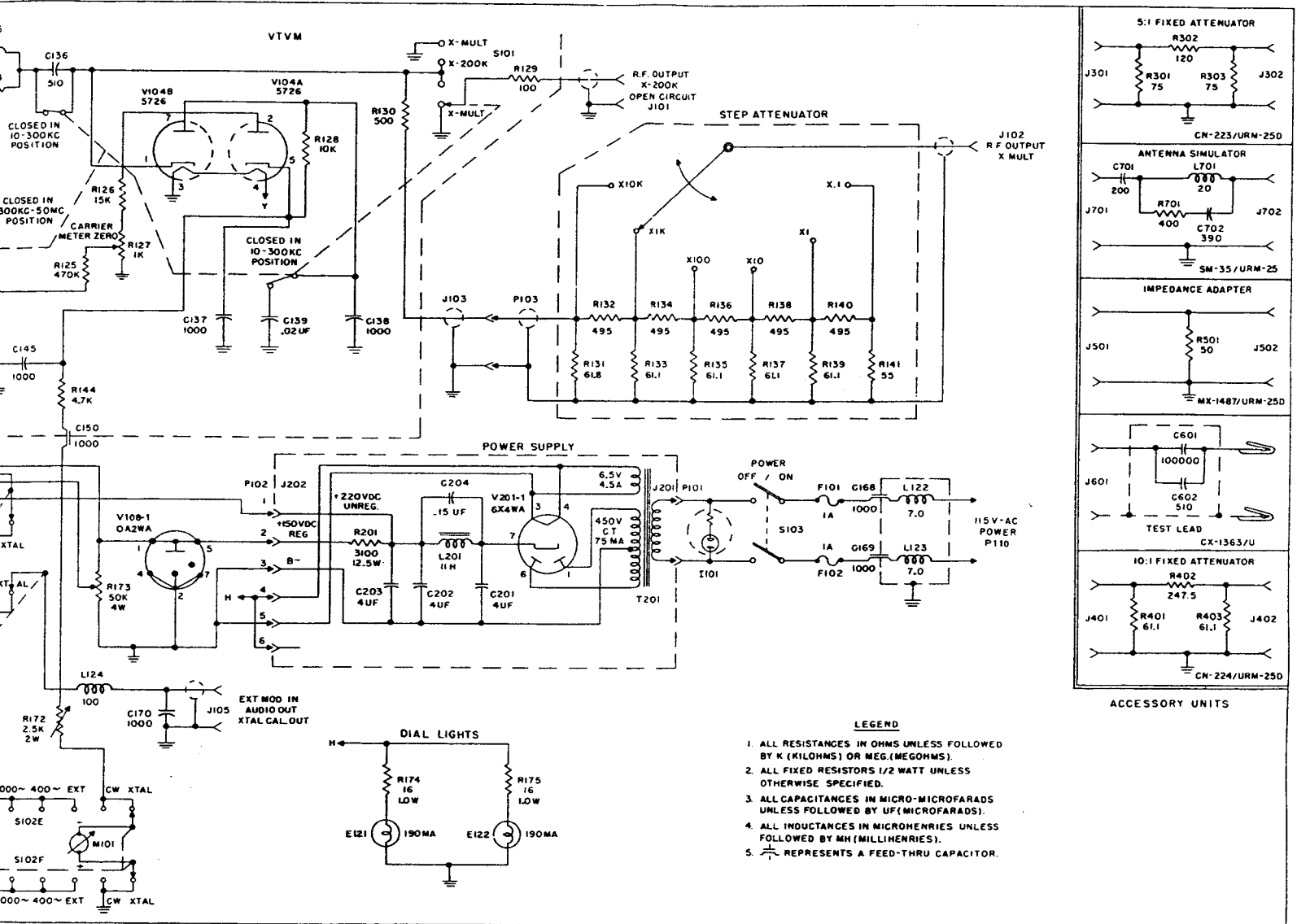


Figure 6-24. RF Signal Generator Set AN/URM-25D, Overall Schematic Diagram  
CHANGE 1

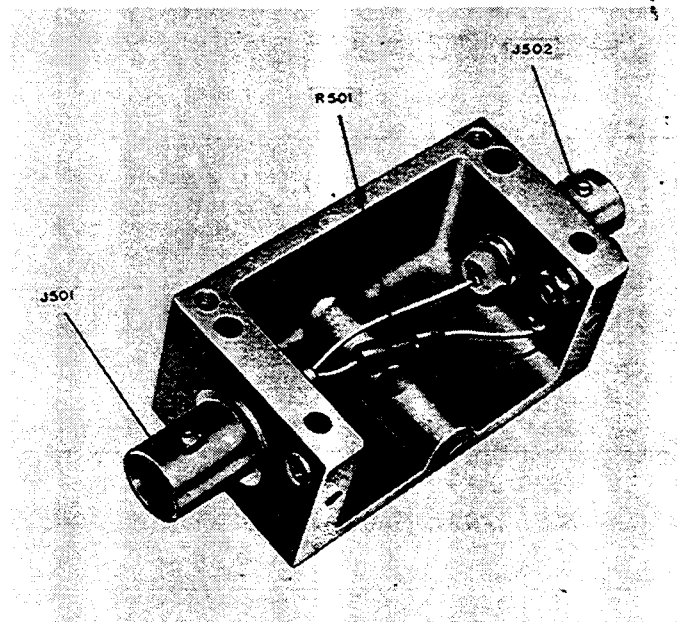


Figure 6-25. Interior View of  
Impedance Adapter MX-1487/URM-25D

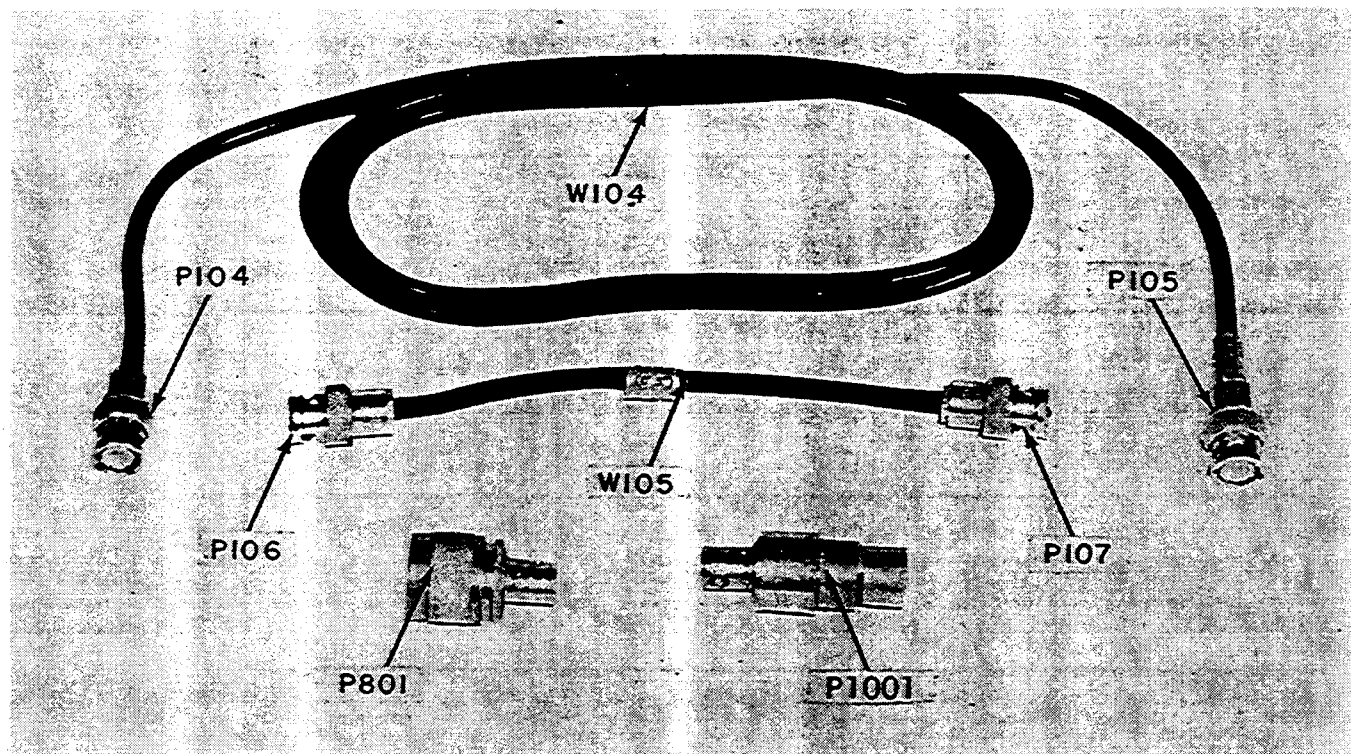


Figure 6-26. RF Connectors and Cable Assemblies

TABLE 6-5. TUBE OPERATING VOLTAGES AND CURRENTS

SYMBOL NUMBER	TUBE TYPE	FUNCTION	PLATE P (E)	PLATE (MA)	SCREEN (E)	SCREEN (MA)	SUPPRESSOR (E)	CATHODE (E)	GRID (E)	HEATER VAC
V101	6AH6	Carrier Oscillator	0 to 150	0 to 10	Connected <sup>1</sup> to Plate	.....	0	Approx. <sup>1</sup> 10	Approx. -0.5 <sup>1</sup>	6.3
V102	6AH6	Buffer Amplifier	215	10	150	2.1	0	2.0	-0.	6.3
V103	6AG7	Output Amplifier	220	17	150	2	0	5.2	0	6.3
V104A	5726	VTVM Compensator	Pin 2 <sup>2</sup> 0 to -1.0	0 to 0.01 <sup>2</sup>	.....	.....	.....	Pin 1 <sup>2</sup> 0 to 0.2	.....	6.3
V104B	5726	VTVM Rectifier	Pin 7 <sup>2</sup> 0 to -2.0	0 to 0.2	.....	.....	.....	Pin 5 <sup>2</sup> 0 to -1.0	.....	6.3
V105	5750	Crystal Calibrator	125 <sup>3</sup>	0.5 <sup>3</sup>	95 <sup>3</sup>	3.0 <sup>3</sup>	0.1 <sup>3</sup>	.1 <sup>3</sup>	-8 <sup>3</sup>	6.3
V106A-1	5814A	Modulation Oscillator	Pin 1 <sup>4</sup> 108	2.4 <sup>4</sup>	.....	.....	.....	Pin 3 <sup>4</sup> 2.4	Pin 2 0	6.3
V106B-1	5814A	Modulation Oscillator	Pin 6 <sup>4</sup> 163	0.55 <sup>4</sup>	.....	.....	.....	Pin 8 <sup>4</sup> 10.5	Pin 7 0	6.3
V107	6AH6	Modulation Amplifier	220	3.0	220	0.3	220	75	0	6.3
V108-1	0A2WA	B+ Regulator	150	20 to 10	.....	.....	.....	0	.....	.....
V201-1	6X4WA	Rectifier	225V AC	.....	.....	.....	.....	240	.....	6.3

NOTES: All measurements made with a 20,000 ohm/volt DC and 1000 ohm/volt AC meter with the Signal Generator set in the following operating condition:

- (1) Band "C" operation.
- (2) S102 switch in "CW" position.
- (3) S102 switch in "Crystal" position.
- (4) S102 switch in 400 or 1000 cycle position.

TABLE 6-6. RATED TUBE CHARACTERISTICS

TUBE TYPE	FILAMENT VOLTAGE (V)	FILAMENT CURRENT (A)	PLATE VOLTAGE (V)	GRID BIAS (V)	SCREEN VOLTAGE (V)	PLATE CURRENT (MA)	SCREEN CURRENT (MA)	A-C PLATE RESISTANCE (OHMS)	VOLTAGE AMPLIFICATION (MU)	TRANSDUCTANCE (MICROMHOS)		EMISSION	
										NORMAL	MINIMUM	IS(MA)	TEST VOLT
0A2WA	.....	.....	150	.....	.....	5-30	.....	.....	.....	.....	.....	.....	.....
6AG7	6.3	0.65	375	-75	250	30	9.0	.....	.....	.....	.....	.....	.....
6AH6	6.3	0.45	300	160	150	10	2.50	500,000	.....	9000	.....	.....	.....
6X4WA	6.3	0.60	325	.....	.....	210	.....	.....	.....	.....	.....	.....	.....
5726	6.3	0.30	117	.....	.....	.....	.....	.....	.....	.....	.....	.....	.....
5750	6.3	0.30	250	-1.5	100	2.6	7.5	1 Meg.	.....	Conversion 475	.....	.....	.....
5814A	12.6	.175	250	-8.5	.....	26	.....	1800	43	24000	.....	.....	.....

RATED GERMANIUM CRYSTAL DIODE CHARACTERISTICS

TYPE	MAX. INVERSE VOLTS	PEAK RECTIFIED MA.	MAX. SURGE MA.	MAX REVERSE u-Amp.	MAX AVERAGE MA.
1N198	50	100	150	250 @ 50V	30

TABLE 6-7. WINDING DATA

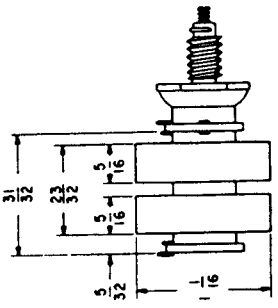
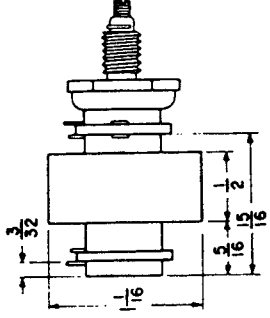
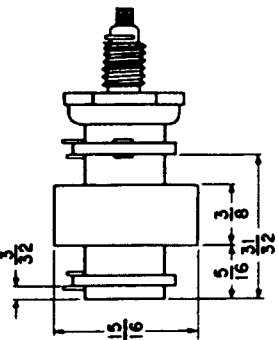
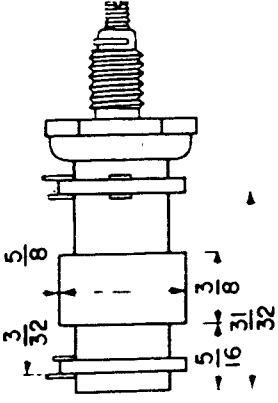
DESIG-NATION SYMBOL	SPECIALTY MFG. & ENG. PART NO.	DIAGRAM	WINDING	WIRE SIZE	TURNS	DC RESIST-ANCE IN OHMS	REMARKS
L101	599-62		Universal wound 2 pie	#40 Single Strand Enameled	4800 Tap at 1700 turns	1000 ± 10%	Inductance: 511.5 mh; Impregnated
L102	599-63		Universal wound 1 pie	#38 Single Strand Enameled	1800 Tap at 780 turns	170 ± 10%	Inductance: 56.2 mh; Impregnated
L103	599-64		Universal wound 1 pie	#36 Double Strand Enameled	560 Tap at 240 turns	52 ± 10%	Inductance: 5.7 mh; Impregnated
L104	599-65		Universal wound 1 pie	#36 Double Strand Enameled	180 Tap at 85 turns	12.2 ± 10%	Inductance: 0.574 mh; Impregnated







TABLE 6-7. WINDING DATA (Continued)

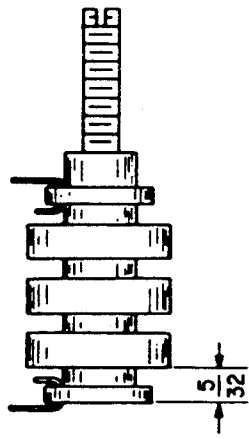
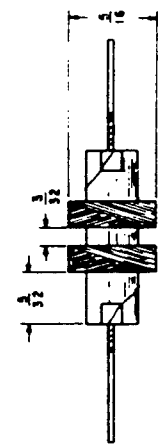
DESIG-NATION SYMBOL	SPECIALTY MFG. & ENG. PART NO.	DIAGRAM	WINDING	WIRE SIZE	TURNS	DC RESIST-ANCE IN OHMS	REMARKS
L114	International Resistance Co. Type CLA		Single Layer	—	—	1.2 ± 20%	Inductance: 1.5 uh ± 10%
L115	International Resistance Co. Type CLA		Single Layer	—	—	0.85 ± 20%	Inductance: 1.2 uh ± 10%
L117 L118	599-76		Universal wound 3 pie	#36 Single Strand Enameled	900	46 ± 10%	Inductance: 11.5 mh ± 5% Impregnated
L119 L124	599-77		Universal wound 2 pie	#38 Single Strand Enameled	180	8.7 ± 10%	Inductance: 100 uh ± 10% Impregnated

TABLE 6--7. WINDING DATA (Continued)

DESIG- NATION SYMBOL	SPECIALTY MFG. & ENG. PART NO.	DIAGRAM	WINDING	WIRE SIZE	TURNS	DC RESIST- ANCE IN OHMS	REMARKS
L122 L123	Ohmite Z-50		Single			0.95 — 10%	Inductance: 7 uh $\pm$ 10%
L201	599-79					400	Inductance: 11 h $\pm$ 10% Current: 75 ma Spec MIL-T-27
L701	599-71-1		Single				Inductance: 20 uh $\pm$ 10%

TABLE 6-8. CROSS REFERENCE BETWEEN SYMBOL NUMBER AND FIGURE LOCATION

SYMBOL NO.	FIGURE NO.	SYMBOL NO.	FIGURE NO.	SYMBOL NO.	FIGURE NO.
AT101	6-13	C153	2-9	J701	6-23
AT201	6-22	C154	2-9	J702	6-23
AT301	6-22	C155	6-9	L101	6-11
AT401	6-25	C156	6-9	L102	6-11
C101-1	6-24	C157	6-9	L103	6-11
C102	6-24	C158	6-9	L104	6-11
C103-1	6-24	C159	2-5	L105	6-11
C104	6-24	C160	2-5	L106	6-24
C105-1	6-18	C161	2-5	L107	6-24
C106	6-11	C162	2-5	L108	6-24
C107-1	6-11	C163	2-5	L109	2-2
C108	6-11	C164	2-5	L110	2-2
C109-1	6-11	C165	2-6	L111	6-7
C110	6-11	C166	2-6	L112	2-3
C111	6-24	C167	6-24	L113	6-7
C112	6-24	C168	6-24	L114	6-7
C113	6-24	C169	6-24	L115	6-6
C114	6-24	C170	2-6	L116	6-7
C115	6-24	C201	6-21	L117	6-5
C116	6-24	C202	6-21	L118	6-5
C117	6-24	C203	6-21	L119	6-24
C118	6-24	C204	6-21	L120	6-24
C119	6-10	C601	2-11	L121	6-9
C120	6-8	C602	2-11	L122	6-24
C121	6-8	C701	6-23	L123	6-24
C122	6-8	C702	6-23	L124	2-6
C123	6-10	CR101-1	2-6	L201	6-21
C124	6-8	CR102-1	2-6	L701	6-23
C125	6-24	E112	4-1	M101	4-1
C126	2-2	E113	4-1	N102	4-1
C127	2-2	E114	4-1	N103	4-1
C128	2-2	E115	4-1	N104	4-1
C129	6-5	E116	4-1	O103	4-1
C130	6-7	E117	4-1	P101	6-13
C131	6-7	E118	4-1	P102	6-13
C132	6-7	E119	4-1	P103	2-8
C133	6-7	E120	4-1	P104	6-26
C134	6-5	F101	4-1	P105	6-26
C135	2-4	F102	4-1	P106	6-26
C136	2-4	F103	1-1	P107	6-26
C137	6-24	H101	6-2	P108	1-1
C128	6-24	I101	4-1	P109	1-1
C139	6-5	J101	4-1	P110	1-1
C140	6-5	J102	4-1	P801	6-26
C141	6-24	J103	2-8	P901	1-1
C142	6-24	J105	4-1	P1001	6-26
C143	6-24	J201	6-21	R101-1	6-24
C144	6-24	J202	6-21	R102	6-24
C145	6-24	J301	6-22	R103-1	6-24
C146	6-24	J302	6-22	R104	6-24
C147	6-24	J401	6-24	R105-1	2-2
C148	6-24	J402	6-24	R106	2-2
C149	6-24	J501	6-25	R107-1	6-24
C150	6-24	J502	6-25	R108	6-24
C151	2-9	J601	6-24	R109-1	6-24
C152	2-9			R110-1	6-24

TABLE 6-8. CROSS REFERENCE BETWEEN SYMBOL NUMBER AND FIGURE LOCATION (Continued)

SYMBOL NO.	FIGURE NO.	SYMBOL NO.	FIGURE NO.	SYMBOL NO.	FIGURE NO.
R111	6-24	R148	6-9	R701	6-23
R112	6-24	R149	2-9	S101	4-1
R113	6-24	R150	2-9	S102	6-16
R114	6-7	R151	2-5	S103	6-13
R115	6-7	R152	2-5	T201	6-21
R116	6-7	R153	2-5	TB101	6-16
R117	6-7	R154	2-5	V101	6-19
R118	6-7	R155	2-5	V102	6-19
R119	6-7	R156	2-5	V103	6-19
R120	6-7	R157	6-13	V104	6-19
R121	6-7	R158	2-5	V105	6-19
R122	2-3	R159	2-5	V106	6-19
R123	6-7	R160	2-5	V107	6-19
R124	2-4	R161	2-5	V108	6-19
R125	2-7	R162	2-5	V201	6-21
R126	6-24	R163	2-5	W101-1	1-1
R127	4-1	R164	2-5	W102	6-19
R128	2-7	R165	6-17	W103	6-19
R129	2-7	R166	2-6	W104	1-1
R130	6-6	R167	2-6	W105	1-1
R131	6-20	R168	2-6	W106	1-1
R132	6-20	R169	6-13	W107	2-11
R133	6-20	R170	2-6	XF101	6-13
R134	6-20	R171	2-6	XF102	6-13
R135	6-20	R172	6-13	XI101	6-13
R136	6-20	R173	6-17	XV101	6-8
R137	6-20	R174	6-24	XV102	6-6
R138	6-20	R175	6-24	XV103	6-6
R139	6-20	R176	6-9	XV104	6-6
R140	6-20	R201	6-21	XV105	6-9
R141	6-10	R301	6-22	XV106	6-17
R142	6-24	R302	6-22	XY101	6-9
R143	6-24	R303	6-22	Y101	6-19
R144	2-7	R401	6-24	Z101	6-23
R145	6-9	R402	6-24		
R146	6-9	R403	6-24		
R147	6-9	R501	6-25		

**SECTION 7**

**PARTS LIST**

- Table 7-1 Weights and Dimensions of Spare Parts Boxes
- Table 7-2 Shipping Weights and Dimensions of Spare Parts Boxes
- Table 7-3 List of Major Units
- Table 7-4 Combined Parts and Spare Parts List
- Table 7-5 Cross Reference Parts List
- Table 7-6 List of Manufacturers
- Table 7-7 Applicable Color Codes and Miscellaneous Data

**TABLE 7-1. WEIGHTS AND DIMENSIONS OF SPARE PARTS BOXES**

EQUIPMENT SPARES					STOCK SPARES					
ACTIVITY	OVERALL DIMENSIONS (INCHES)			VOLUME (CU IN)	WEIGHT (LBS)	OVERALL DIMENSIONS (INCHES)			VOLUME (CU IN)	WEIGHT (LBS)
	HEIGHT	WIDTH	DEPTH			HEIGHT	WIDTH	DEPTH		
BUSHIPS	9	8	3	216	2	*	*	*	*	*
MARINE CORPS						*	*	*	*	*

\* Shipped in bulk quantities

**TABLE 7-2. SHIPPING WEIGHTS AND DIMENSIONS OF SPARE PARTS BOXES**

EQUIPMENT SPARES					STOCK SPARES					
ACTIVITY	OVERALL DIMENSIONS (INCHES)			VOLUME (CU IN)	WEIGHT (LBS)	OVERALL DIMENSIONS (INCHES)			VOLUME (CU IN)	WEIGHT (LBS)
	HEIGHT	WIDTH	DEPTH			HEIGHT	WIDTH	DEPTH		
BUSHIPS	9	8	3	216	2	*	*	*	*	*
MARINE CORPS						*	*	*	*	*

\* Weight and dimensions determined as shipped

TABLE 7-3. LIST OF MAJOR UNITS

SYMBOL GROUP	QUANTITY	NAME OF MAJOR UNIT	NAVY TYPE OR A-N DESIGNATION
101 to 199	1	RF Signal Generator	SG-85/URM-25D
201 to 299	1	Power Supply	PP-977/URM-25D
301 to 399	1	(5:1) Fixed Attenuator	CN-223/URM-25D
401 to 499	1	(10:1) Fixed Attenuator	CN-224/URM-25D
501 to 599	1	Impedance Adapter	MX-1487/URM-25D
601 to 699	1	Test Lead	CX-1363/U
701 to 799	1	Antenna Simulator	SM-35/URM-25
P801	1	Coaxial Adapter	UG-201A/U
W104	1	Output RF Cable	CG-409/U (3'11")
W105, W106	2	Output RF Cable	CG-409/U (0'5")
P901	1	Connector, Adapter	UG-684A/U
P1001	1	Connector, Adapter	

TABLE 7-4. COMBINED PARTS AND SPARE PARTS LIST

PARTS									
SYMBOL DESIG.	NAME OF PART AND DESCRIPTION	FUNCTION	JAN. AND (NAVY TYPE) NO.	STANDARD NAVY AND (SIGNAL CORP.) STOCK NO.	MFGR. & MFGR'S DESIG- NATION	CON- TRACTOR DRAWING PART NO.	ALL SYMBOL DESIG. INVOLVED	QUAN. PER EQUIP.	
<b>Attenuator</b>									
AT101	ATTENUATOR, step; unbalanced ladder network; output 50 ohms; aluminum case; 12 sides; 2 3/8" across flats x 2 1/4" thick o/a excl connector and shaft; gear driven phenolic shaft; 6 steps, 20 db per step; RF coaxial cable (RG-55/U) input, BNC connector output; four No. 4-40 mtg holes 90° apart on 1 3/4" diam.	Output Voltage Attenuator		N16-A-98026-4901	(21) 599-4	599-4	AT101	1	
<b>Capacitors</b>									
C101-1	CAPACITOR, fixed; mica dielectric; single section; 10 uuf ±10%; 300 vdcw; characteristic ltr B; 5/8" lg x 1/2" wd x 3/16" thk; molded low loss phenolic case; 2 axial wire leads; Spec. MIL-C-5/1.	V101 grid blocking capacitor, band A				599-13	C101-1, 103-1, 117	3	
C102	CAPACITOR, variable; ceramic dielectric; rotary type; single section; 3.0 uuf to 12.0 uuf; 500 vdcw; temp coeff ltr A; 2 1/2" lg x 1/4" wide x 1 3/4" high excl term.; two solder lug term.; two .120" diam holes on .438" mtg/c; screwdriver adj; ceramic base; Spec. JAN-C-81.	Carrier oscillator band A trimmer	CV11A120	N16-C-63934-8129		599-6	C102, 104 106, 108, 110, 112, 114, 116	8	
C103-1	Same as C101-1	V101 grid blocking capacitor band B						1	
C104	Same as C102.	Carrier oscillator band B trimmer							
C105-1	CAPACITOR, fixed; mica dielectric; single section; 18 uuf ±10%; 300 vdcw; characteristic ltr B; 5/8" lg x 1/2" wd x 3/16" thk; molded low loss phenolic case; 2 axial wire leads; Spec. MIL-C-5/1.	V101 grid blocking capacitor band C	CM15B180K	N16-C-26605-9557		599-179	C105-1	1	
C106	Same as C102.	Carrier oscillator band C trimmer							
C107-1	CAPACITOR, fixed; mica dielectric; single section; 36 uuf ± 5%; 300 vdcw; characteristic ltr B; 5/8" lg x 1/2" wd x 3/16" thk; molded low loss phenolic case; 2 axial wire leads; Spec. MIL-C-5/1.	V101 grid blocking capacitor band D	CM15B360J			599-180	C107-1, 109-1	2	
C108	Same as C102.	Carrier oscillator band D trimmer							



TABLE 7-4. COMBINED PARTS AND SPARE PARTS LIST (Continued)

PARTS								
SYMBOL DESIG.	NAME OF PART AND DESCRIPTION	FUNCTION	JAN. AND (NAVY TYPE) NO.	STANDARD NAVY AND (SIGNAL CORP.) STOCK NO.	MFR. & MFR'S DESIG- NATION	CON- TRACTOR DRAWING PART NO.	ALL SYMBOL DESIG. INVOLVED	QUAN. PER EQUIP.
<b>Capacitors (cont)</b>								
C109-1	Same as C107	V101 grid blocking capacitor band E						
C110	Same as C102.	Carrier oscillator band E trimmer						
C111	CAPACITOR, fixed; mica dielectric; single section; 100 uuf $\pm 10\%$ ; 300 vdcw; characteristic ltr B; $\frac{1}{2}$ " lg x $\frac{1}{4}$ " wd x $\frac{3}{16}$ " thk; molded low loss phenolic case; 2 axial wire leads; Spec. MIL-C-5/1.	V101 grid blocking capacitor band F	CM15B101K	N16C-28557-9050		599-11	C111	1
C112	Same as C102.	Carrier oscillator band F trimmer						
C113	CAPACITOR, fixed; mica dielectric; single section; 56 uuf $\pm 10\%$ ; 300 vdcw; characteristic ltr B; $\frac{1}{2}$ " lg x $\frac{1}{2}$ " wd x $\frac{3}{16}$ " thk; molded low loss phenolic case; 2 axial wire leads; Spec. MIL-C-5/1.	V101 grid blocking capacitor band G	CM15B560K	N16-C-27766-6050		599-12	C113	1
C114	Same as C102.	Carrier oscillator band G trimmer						
C115	CAPACITOR, fixed; mica dielectric; single section; 330 uuf $\pm 10\%$ ; 300 vdcw; characteristic ltr B; $\frac{3}{8}$ " lg x $\frac{1}{2}$ " wd x $\frac{3}{16}$ " thk; molded low loss phenolic case; 2 axial wire leads; Spec. MIL-C-5/1.	V101 grid blocking capacitor band H	CM15B331K	N16-C-29718-5792		599-8	C115	1
C116	Same as C102.	Carrier oscillator band H trimmer						
C117	Same as C101-1	Carrier oscillator band H fixed trimmer						
C118	CAPACITOR, fixed; mica dielectric; single section; 150 uuf $\pm 2\%$ ; 500 vdcw; characteristic ltr C; $\frac{5}{8}$ " lg x $\frac{1}{2}$ " wd x $\frac{1}{2}$ " thk; molded low loss phenolic case; 2 axial wire leads; Spec. MIL-C-5/2.	Carrier oscillator band H padding capacitor	CM20C151G	N16-C-28969-9121		599-14	C118	1
C119	CAPACITOR, fixed; ceramic dielectric; single section; 2 uuf $\pm 0.25$ uuf; 500 vdcw; characteristic CK; 0.562" lg x 0.250" diam; insulated case; 2 axial wire leads; Spec. JAN-C-20A.	V101 output coupling capacitor	CC21CK020C	N16-C-15432-5867		599-15	C119	1
C120	CAPACITOR, fixed; ceramic dielectric; stand-off type; 500 uuf $\pm 20\%$ ; 500 vdcw; power factor 2.5% @ 1 mc; special temp coeff; body .520" lg x .250" dia; one No.	V101 plate circuit RF bypass capacitor		N16-C-18211-7941	(10) 319 (H1- K-12)	599-16	C120	1

C121	3-48 thd axial screw term. $\frac{1}{32}$ " lg; one axial wire term. .067" dia x .386" lg; uninsulated; baked enamel coating. CAPACITOR, fixed; paper dielectric; 0.25 uf $\pm 10\%$ ; 400 vdcw; characteristic ltr F; hermetically sealed (glass to metal) tubular; wax impregnated; internally grounded; un-insulated; .400 in. diam x $1\frac{1}{8}$ " lg excl mtg bshg and term.; $\frac{3}{16}$ "-24 thd x $\frac{1}{32}$ " lg mtg bshg w/hex nut and lock-washer; one axial wire lead.	V101 plate circuit bypass capacitor	N16-C-46371-9767	(14) XG-1836- N	599-17	C121, 129, 140	3
C122	CAPACITOR, fixed; ceramic dielectric; feed-through type; 1000 uuf $\pm 20\%$ ; 500 vdcw; power factor 2.5%; special temp coeff; $\frac{3}{8}$ " lg x $\frac{3}{16}$ " diam; 2 axial wire leads each terminated in a $\frac{1}{8}$ " lg loop; one No. 12-28 x $\frac{1}{32}$ " lg axial screw for mtg; un-insulated.	V101 plate circuit bypass capacitor (feed thru)	N16-C-18657-8801	(10) 357 (H1- K-12)	599-18	C122, 124, 168, 169	4
C123	CAPACITOR, variable; air dielectric; plate meshing type; single section; 12 uuf to 479 uuf; $3\frac{1}{16}$ " lg x $2\frac{7}{32}$ " wd x $1\frac{1}{32}$ " thk; round metal shaft $\frac{1}{4}$ " diam x $\frac{3}{4}$ " lg; 27 silver plated plates; 180° counterclockwise rotation.	Main Tuning Capacitor	N16-C-61917-7445	(20) #887594 (Special)	599-19	C123	1
C124	Same as C122.	V101 heater bypass capacitor					
C125	CAPACITOR, fixed; ceramic dielectric; stand-off type; 1000 uuf $\pm 20\%$ ; 500 vdcw; power factor 2.5% @ 1 KC; special temp coeff; $1\frac{1}{4}$ " lg x $\frac{3}{16}$ " diam; one $\frac{1}{4}$ "-28 thd axial screw term. $\frac{3}{4}$ " lg; one axial post term; internally grounded; insulated.	V101 B + RF filter capacitor	N16-C-18659-7792	(10) 326	599-20	C125, 126, 137, 138, 141, 142, 143, 144, 145, 151, 152	11
C126	Same as C125.	V101 heater filter capacitor					
C127	CAPACITOR, fixed; ceramic dielectric; feed-through type; 1000 uuf $\pm 20\%$ ; 500 vdcw; power factor 2.5% @ 1 KC; special temp coeff; $\frac{3}{4}$ " lg x $\frac{3}{16}$ " diam; 2 axial wire leads each terminated in $\frac{1}{4}$ " lg loop; one $\frac{1}{4}$ "-28 x $\frac{3}{32}$ " lg axial screw for mtg; insulated.	V101 B + RF filter capacitor (feed-thru)	N16-C-99999-0520	(10) 327	599-26	C127, 128, 146, 147, 148, 149, 150, 153, 154	9
C128	Same as C127.	V101 heater RF filter capacitor (feed-thru)					
C129	Same as C121.	V102 screen bypass capacitor					
C130	CAPACITOR, fixed; paper dielectric; 0.01 uf $\pm 20\%$ ; 300 vdcw; characteristic ltr A; molded low loss phenolic case; $\frac{3}{4}$ " lg x $\frac{3}{4}$ " wd x $\frac{1}{4}$ " thk; 2 axial wire leads; MIL-C-91.	V102 output coupling capacitor	CN22AX:103M		599-27	C130, 155, 159, 164, 165	5
C131	CAPACITOR, fixed; mica dielectric; single section; 150 uuf $\pm 10\%$ ; 300 vdcw; characteristic ltr B; $\frac{3}{16}$ " lg x $\frac{1}{4}$ " wd x $\frac{3}{16}$ " thk; Spec. MIL-C-5/1.	V103 input coupling capacitor	CM15B151K		599-10	C131	1
C132	CAPACITOR, fixed; electrolytic; 25 uf; 25 vdcw; hermetically sealed in tubular aluminum case; $\frac{3}{4}$ " diam x $1\frac{1}{2}$ " lg; 2 axial solder lug term.	V103 cathode bypass capacitor	For replacement use SNSN N16-C-19781-5246	(22) Type DPS	599-28	C132	1
C133	CAPACITOR, fixed; paper dielectric; 0.02 uf $\pm 20\%$ ; 100 vdcw; characteristic ltr H; internally grounded; hermetically sealed metal case; $\frac{3}{4}$ " lg x $\frac{3}{4}$ " diam. insulated; 2 axial wire leads; MIL-C-25A.	V103 cathode RF bypass capacitor	For replacement use SNSN N16-C-11008-500		599-28B	C133, 139	2

TABLE 7-4. COMBINED PARTS AND SPARE PARTS LIST (Continued)

PARTS								
SYMBOL DESIG.	NAME OF PART AND DESCRIPTION	FUNCTION	JAN. AND (NAVY TYPE) NO.	STANDARD NAVY AND (SIGNAL CORP.) STOCK NO.	MFR. & MFR'S DESIG- NATION	CON- TRACTOR DRAWING PART NO.	ALL SYMBOL DESIG. INVOLVED	QUAN. PER EQUIP.
<b>Capacitors (cont)</b>								
C134	CAPACITOR, fixed; paper dielectric; 0.1 uf $\pm 20\%$ ; 400 vdcw; characteristic ltr F; hermetically sealed (glass to metal) tubular; wax impregnated; internally grounded; uninsulated; .400" diam x $\frac{3}{4}$ " lg excl mtg bshg and term.; $\frac{5}{16}$ "-24 thd x $\frac{1}{32}$ " lg mtg bshg w/hex nut and lockwasher; one axial wire lead.	V103 screen bypass		N16-C-45805-3601	(14) XG-1816- N	599-29	C134	1
C135	CAPACITOR, fixed; mica dielectric; 10,000 uuf $\pm 5\%$ ; 300 vdcw; characteristic ltr E; molded low loss phenolic case; $\frac{3}{4}$ " lg x $\frac{3}{4}$ " wd x $\frac{3}{4}$ " thk; 2 axial wire leads; MIL-C-5/5.	V103 output coupling capacitor	CM35E103J	N16-C-33617-4758		599-30	C135	1
C136	CAPACITOR, fixed; mica dielectric; single section; 510 uuf $\pm 5\%$ ; 300 vdcw; characteristic ltr B; $\frac{9}{32}$ " lg x $\frac{1}{2}$ " wd x $\frac{3}{16}$ " thk; molded low loss phenolic case; 2 axial wire leads; Spec MIL-C-5/1.	V103 RF output coupling capacitor	CM15B511J	N16-C-30180-3635		599-5	C136	1
C137	Same as C125.	VTVM (V104) output decoupling capacitor						
C138	Same as C125.	VTVM (V104)						
C139	Same as C133.	V102 and V103 B+ bypass						
C140	Same as C121.	V102 and V103 B+ RF filter capacitor						
C141	Same as C125.	Modulation input RF filter capacitor						
C142	Same as C125.	V102 and V103 and V104 heater RF filter capacitor						
C143	Same as C125.	V103 screen voltage RF filter capacitor						
C144	Same as C125.	VTVM (V104) output RF filter capacitor						
C145	Same as C125.	V102 and V103 B+ RF filter capacitor (feed-thru)						
C146	Same as C127.							

C147	Same as C127.	Modulation input RF filter capacitor (feed-thru)							
C148	Same as C127.	V102, V103 and V104 heater RF filter capacitor (feed-thru)							
C149	Same as C127.	V103 screen voltage RF filter capacitor (feed-thru)							
C150	Same as C127.	VTVM (V104) output RF filter capacitor (feed-thru)							
C151	Same as C125.	V105 B+ RF filter capacitor							
C152	Same as C125.	V105 output RF filter capacitor							
C153	Same as C127.	V105 B+ RF filter capacitor (feed-thru)							
C154	Same as C127.	V105 output RF filter capacitor (feed-thru)							
C155	Same as C130.	V105 screen bypass capacitor							
C156	CAPACITOR, fixed: mica dielectric; 270 uuf, $\pm 5\%$ ; 500 vdcw; characteristic ltr B; molded low-loss phenolic case; $\frac{3}{4}$ " lg x $\frac{1}{32}$ " wd x $\frac{1}{32}$ " thk; 2 axial wire leads; MIL-C-5/2.	V105 feed-back capacitor	CM20B271J	N16-C-29608-2196	599-31	C156	1		
C157	CAPACITOR, fixed: ceramic dielectric; 12 uuf $\pm 5\%$ ; 500 vdcw; characteristic CH; 0.562" lg x 0.250" diam; insulated; 2 axial wire leads; JAN-C-20A.	V105 grid capacitor	CC21CH120J	N16-C-15953-2999	599-32	C157	1		
C158	CAPACITOR, variable: ceramic dielectric; rotary type; single section; 6 uuf to 25 uuf; 500 vdcw; temp coeff ltr A; 1.218" lg x $\frac{1}{16}$ " wd x $\frac{9}{64}$ " thk excl term.; 2 solder lug term; two mtg holes tapped 4-40; $\frac{3}{16}$ " deep on .656" mtg/c; screwdriver adj; ceramic base; JAN-C-81.	V105 frequency adjusting capacitor	CV12A250	N16-C-64041-4565	599-33	C158	1		
C159	Same as C130.	V105 output coupling capacitor							
C160	CAPACITOR, fixed: mica dielectric; 1000 uuf $\pm 2\%$ ; 500 vdcw; characteristic ltr D; $1\frac{1}{4}$ " lg x $\frac{1}{32}$ " wd x $\frac{1}{32}$ " thk; molded low-loss phenolic case; 2 axial wire leads; MIL-C-5/3.	V106 bridge capacitor	CM25D102G	N16-C-31080-2522	599-34	C160, 161	2		
C161	Same as C160.	V106 bridge capacitor							
C162	CAPACITOR, fixed: paper dielectric; 0.1 uf $\pm 20\%$ ; 400 vdcw; characteristic ltr E; $1\frac{1}{2}$ " lg x $\frac{9}{64}$ " wd x $1\frac{1}{32}$ " thk; molded phenolic case; 2 axial wire leads; MIL-C-91/7.	V106 output coupling capacitor	CN43EE104M	N16-C-45805-6260	599-35	C162, 163	2		
C163	Same as C162.	V106 output coupling capacitor							

TABLE 7-4. COMBINED PARTS AND SPARE PARTS LIST (Continued)

PARTS									
SYMBOL DESIG.	NAME OF PART AND DESCRIPTION	FUNCTION	JAN. AND (NAVY TYPE) NO.	STANDARD NAVY AND (SIGNAL CORP.) STOCK NO.	MFR. & MFR'S DESIG- NATION	CON- TRACTOR DRAWING PART NO.	ALL SYMBOL DESIG. INVOLVED	QUAN. PER EQUIP.	
<b>Capacitors (cont)</b>									
C164	Same as C130.	V106 coupling capacitor	CN43EY204M	N16-C-46182-8905		599-36	C166, 167	2	
C165	Same as C130.	V107 input capacitor							
C166	CAPACITOR, fixed: paper dielectric; 0.2 uf ±20%; 120 vdcw; characteristic ltr E; 1 1/2" lg x 9/4" wd x 1 1/2" thk; molded phenolic case; 2 axial wire leads; MIL-C-91/7.	V107 output coupling capacitor							
C167	Same as C166.	V107 output coupling capacitor							
C168	Same as C122.	Line filter capacitor							
C169	Same as C122.	Line filter capacitor							
C170	CAPACITOR, fixed: mica dielectric; 1000 uuf ±10%; 500 vdcw; molded insulated body; .250" diam x .812" lg; 2 axial wire leads; MIL-C-5/4.	J105 RF filter capacitor	CM30B102K	N16-C-31090-4164		599-37	C170	1	
C201	CAPACITOR, fixed: paper dielectric; 4 uf ±10%; 600 vdcw; characteristic ltr D; hermetically sealed metal case; grounded; circuit; uninsulated; 1 1/2" diam x 4 1/2" lg excl mtg bshg and term; 3/4"-16 thd mtg bshg 1/2" lg; one radial ground lug; MIL-C-25/3.	Power supply filter capacitor	CP40C2DF-405K	N16-C-49958-5143		599-38	C201, 202, 203	3	
C202	Same as C201.	Power supply filter capacitor							
C203	Same as C201.	Power supply filter capacitor							
C204	CAPACITOR, fixed: paper dielectric; 0.15 uf ±10%; 400 vdcw; characteristic ltr F; hermetically sealed (glass to metal) tubular; wax impregnated; insulating sleeve; .400" diam x 1 1/4" lg; 2 axial wire leads.	L201 resonating capacitor		N16-C-45963-8500	(14) XFS-1856	599-39	C204	1	
C601	CAPACITOR, fixed: paper dielectric; 0.1 uf ±10%; 400 vdcw; characteristic ltr F; hermetically sealed (glass to metal) tubular; wax impregnated; insulating sleeve; .400" diam x 1 1/4" lg; 2 axial wire leads.	p/o Test lead CX-1363/U		N16-C-45773-6125	(14) XFS-1816	599-40	C601	1	
C602	CAPACITOR, fixed: mica dielectric; 510 uuf ±5%; 500 vdcw; characteristic ltr B; molded phenolic case; 5/4" lg x 1 1/2" wd x 3/2" thk; 2 axial wire leads; MIL-C-5/2.	p/o Test lead CX-1363/U	CM20B511J	For replacement use SNSN N16-C-30188-5006		599-41	C602	1	

C701	CAPACITOR, fixed; mica dielectric; 200 uf ±5%; 500 vdcw; characteristic ltr D; molded phenolic case; 5/16" lg x 1/32" wd x 1/32" thk; 2 axial wire leads; MIL-C-5/2.	p/o antenna simulator SM35/URM-25	CM20D201J	N16-C-29265-3006	599-42	C701	1
C702	CAPACITOR, fixed; mica dielectric; 390 uuf ±5%; 500 vdcw; characteristic ltr D; molded phenolic case; 5/16" lg x 1/32" wd x 1/32" thk; 2 axial wire leads; MIL-C-5/2.	p/o antenna simulator SM35/URM-25	CM20D391J	N16-C-29898-3606	599-43	C702	1
<b>Crystal Units</b>							
CR101-1	CRYSTAL UNIT, RECTIFYING; germanium crystal; 1/4" lg x 1/8" dia; terminal mounted; 2 axial pigtail leads; high temperature diode; MIL-E-1B.	Audio voltage rectifier	IN198	(24) IN198	599-181	CR101-1 102-1	2
CR102-1	Same as CR 101-1	Audio voltage rectifier					
<b>Panel Knobs and Miscellaneous Electrical Accessories</b>							
E101	SHIELD, electron tube; copper, nickel pl; cylindrical; open top; twist lock mtd to socket saddle; 1/4" lg x .810" diam x .930" diam of flange piece; w/compression spring; JAN-S-28A.	Tube shield for V101	TS102U02	N16-S-34557-8351	599-45	E101, 102, 105, 107	4
E102	Same as E101.	Tube shield for V102					
E103	Not used.						
E104	SHIELD, electron tube; copper, nickel pl; cylindrical; open top; twist lock mtd to socket saddle; 1 1/4" lg x .810" diam x .930" diam of flange piece; w/compression spring; JAN-S-28A.	Tube shield for V104	TS102U01	N16-S-34520-3864	599-46	E104	1
E105	Same as E101.	Tube shield for V105					
E106	SHIELD, electron tube; copper, nickel pl; cylindrical; open top; twist lock mtd to socket saddle; 1 3/4" lg x .950" diam x 1.065" diam of flange piece; w/compression spring; JAN-S-28A.	Tube shield for V106	TS103U02	N16-S-34576-6514	599-47	E106	1
E107	Same as E101.	Tube shield for V107					
E108	SHIELD, electron tube; copper, nickel pl; cylindrical; open top; twist lock mtd to socket saddle; 2 1/2" lg x .810" diam x .930" diam of flange piece; w/compression spring; JAN-S-28A.	Tube shield for V108	TS102U03	N16-S-34607-6039	599-48	E108, 201	2
E109	CAP; for BNC connectors; brass silver pl; round; approx 3/8" lg x 3/8" diam; twist lock mtg; approx 2" lg chain for securing to panel.	Protective cap for J101	Army-Navy Type CW123 A/U	N17-C-200964-601	599-49	E109, 110 111	3
E110	Same as E109.	Protective cap for J102					

TABLE 7-4. COMBINED PARTS AND SPARE PARTS LIST (Continued)

PARTS									
SYMBOL DESIG.	NAME OF PART AND DESCRIPTION	FUNCTION	JAN. AND (NAVY TYPE) NO.	STANDARD NAVY AND (SIGNAL CORP.) STOCK NO.	MFR. & MFR'S DESIG- NATION	CON- TRACTOR DRAWING PART NO.	ALL SYMBOL DESIG. INVOLVED	QUAN. PER EQUIP.	
<b>Panel Knobs and Miscellaneous Electrical Accessories (cont)</b>									
E111	Same as E109.	Protective cap for J105							
E112	COVER, self-closing; brass; gray enamel finish; high-torque coil spring; neoprene inside cap; 2 mtg holes in base on 1 1/2" mtg/c; 1 1/2" lg x 2 1/2" wd x 3/8" high o/a; 3/8" diam hole in base.	Protects Carrier-Meter-Zero control		If required will be procured by nearest Navy Shore Supply Activity on demand.	(5) A-55804	599-50	E112	1	
E113	KNOB, slant arrow; black molded phenolic, white arrow; 1 1/2" lg; 3/4" wd, 1/8" high o/a; 1/4" shaft hole w/brass bshg; two No. 8-32 set screw holes w/hex socket screws; per Air Force Dwg. 47A40527.	Carrier range switch (S101) knob	Air Force Dwg. 47A40527	Same as above.		599-51	E113, 114, 115, 116, 117, 118	6	
E114	Same as E113.	Carrier control (R172) knob							
E115	Same as E113.	Audio output control (R165) knob							
E116	Same as E113.	Microvolts control (R199) knob							
E117	Same as E113.	Mod, Xtal & Meter Selector (S102) knob							
E118	Same as E113.	RF Multiplier (step attenuator) knob							
E119	KNOB: black molded phenolic; fluted; round w/pointer, bar and skirt; 1 1/2" diam of skirt; bshg for 1/4" diam shaft; two setscrews 90° apart.	Frequency band switch knob		N16-K-700094-251	(12) KNB-2	599-51-B	E119	1	
E120	POST, binding; screw type; 3/8" diam x 1 1/8" lg FMS; one No. 10-32 x 1" lg mtg stud threaded 3/7"; black bakelite cap; hole for No. 12 wire thru center-shaft; captive nut type cap w/3/8" diam x 3/8" deep hole for banana plug.	Front panel ground post		N17-P-69135-6205	(23) Type DF30BC	599-52	E120	1	
E121	LAMP, incandescent; 3v; 190 ma; bulb T-1-1/4 clear; 3/4" lg o/a; special screw base; C-2R tungsten filament; burn any position.	Illuminates frequency scale	(TS-112)	GM17-L-6543-100	(15) LM-32	599-53	E121, 122	2	
E122	Same as E121.	Illuminates frequency scale							
E201	Same as E108.	Tube shield for V201							

Fuses							
F101	FUSE, cartridge: 1 amp; open in one hr at 135% load; rated continuous at 110% load; 250V; one time; glass body; ferrule term.; 1/4" lg x 1/4" diam o/a; term. 3/16" lg x 1/4" diam; slow blowing.	Line fuse	F02GIR00B MIL-F-15160C	N17-F-14310-380	(3) MDL-1	599-54 F101, 102, 103, 104	4
F102	Same as F101.	Line fuse					
F103	Same as F101.	Spare fuse					
F104	Same as F101.	Spare fuse					
Hardware							
H101	SCREW, captive; stainless steel; 3/4" lg o/a; slotted head 3/8" diam x 1/8" thk; No. 10-24 NC-2 thread 1/4" lg; 1/8" diam unthreaded part.	Secures signal generator SG85/URM-25D to case		Shop manufacture	(21) 599-55	599-55 H101	12
Lamp							
I 101	LAMP, neon: 105-125V; 1/25W; bulb T-3, 1/4 clear; min bay s.c.; burn any position.	Power On-Off indicator	(VO-16)	GM17-L-6806-130	GENE-51	599-56 I 101	1
Connectors (Jacks and Receptacles)							
J101	CONNECTOR, receptacle: 1 round coaxial female contact; straight; 1 1/2" lg x 3/8" diam w/1/16" square mtg flange; 52 ohms impedance; cylindrical brass silver pl body; locking type; molded polystyrene insert; four No. 3-56 tapped holes on 1/2" x 1/2" mtg/C; MIL-C-3608.	RF Output X200K, Open Circuit receptacle	UG-290/U per Navy Dwg RE49F331	N17-C-73108-1267		599-57 J101, 105	2
J102	CONNECTOR, receptacle: 1 round coaxial female contact; straight.	p/o Step attenuator AT101		N17-C-73108-7477		599-4-1 J102	1
J103	CONNECTOR, receptacle: 1 round coaxial female contact; straight.	Connector for step attenuator AT101	UG-625A/U per Sig C Dwg. No. SC-D-72305	N17-C-73108-7456		599-58 J103, 301, 302, 401, 402, 501, 502, 601, 701, 702	10
J104	Deleted.						
J105	Same as J101.	Ext Mod In-Audio Out-Xtal Cal Out receptacle					
J201	CONNECTOR, receptacle: two flat polarized blades; 3/32" diam x 1/2" high excl contacts and term.; 730V RMS; 10 amp; cylindrical black bakelite body; flange type metal mtg bracket w/two .152" diam mtg holes on 3/32" mtg/C; 2 solder lug term.	AC input receptacle on power supply sub-chassis		N17-C-73425-9485	(17) P-302-AB	599-60 J201	1



TABLE 7-4. COMBINED PARTS AND SPARE PARTS LIST (Continued)

PARTS								
SYMBOL DESIG.	NAME OF PART AND DESCRIPTION	FUNCTION	JAN. AND (NAVY TYPE) NO.	STANDARD NAVY AND (SIGNAL CORP.) STOCK NO.	MFR. & MFR'S DESIG- NATION	CON- TRACTOR DRAWING PART NO.	ALL SYMBOL DESIG. INVOLVED	QUAN. PER EQUIP.
<b>Connectors (Jacks and Receptacles) (cont)</b>								
J202	CONNECTOR, receptacle; 6 rectangular polarized female contacts, straight; 1" lg x 1/16" wd x 1/2" high excl term., rectangular black bakelite body; flange type metal mtg bracket w/two 0.152" diam holes on 1" mtg/C; solder lug term.	Power supply output		N17-C-73224-1604	(17) S-306-AB	599-61	J202	1
J301	Same as J103.	Connector for (5:1) fixed attenuator CN-223/URM-25D						
J302	Same as J103.	Connector for (5:1) fixed attenuator CN-223/URM-25D						
J401	Same as J103.	Connector for (10:1) fixed attenuator CN-224/URM-25D						
J402	Same as J103.	Connector for (10:1) fixed attenuator CN-224/URM-25D						
J501	Same as J103.	Connector for impedance adaptor MX-1487/URM-25D						
J502	Same as J103.	Connector for impedance adaptor MX-1487/URM-25D						
J601	Same as J103.	Connector for test lead CX-1363/U						
J701	Same as J103.	Connector for antenna simulator SM-35/URM-25						
J702	Same as J103.	Connector for antenna simulator SM-35/URM-25						
<b>Inductors</b>								
L101	COIL, RF; oscillator; single winding; 2 pie universal wound; tapped; 1 1/8" max diam x 1 1/2" lg excl mtg bshg; 493 mh; ceramic form; adjustable powdered iron core; screw driver adjustment at bottom of coil; 1/4"-28 x 3/16" lg mtg bshg; silicone-fibreglass collars w/one term. on top and two term. on bottom; impregnated.	Band A oscillator coil		N16-C-76858-2975	(21) 599-62	599-62	L101	1

L102	COIL, RF; oscillator; single winding; 1 pie universal wound; tapped; $1\frac{1}{4}$ " max diam x $1\frac{3}{8}$ " lg excl mtg bshg; 56.2 mh; ceramic form; adjustable powdered iron core; screw driver adjustment at bottom of coil; $\frac{1}{4}$ "-.28 x $\frac{3}{16}$ " lg mtg bshg; silicone-fibreglass collars w/one term. on top and two term. on bottom; impregnated.	Band B oscillator coil	N16-C-76809-5115	(21) 599-63	599-63	L102	1
L103	COIL, RF; oscillator; single winding; 1 pie universal wound; tapped; $\frac{1}{16}$ " max diam x $1\frac{1}{8}$ " lg excl mtg bshg; 5.7 mh; ceramic form; adjustable powdered iron core; screwdriver adjustment at bottom of coil; $\frac{1}{4}$ "-.28 x $\frac{3}{16}$ " lg bshg; silicone-fibreglass collars w/one term. on top and two term. on bottom; impregnated.	Band C oscillator coil	N16-C-76762-2801	(21) 599-64	599-64	L103	1
L104	COIL, RF; oscillator; single winding, 1 pie universal wound; tapped; $\frac{1}{16}$ " max diam x $1\frac{3}{8}$ " lg excl mtg bshg; .574 mh; ceramic form adjustable powdered iron core; screwdriver adjustment at bottom of coil; $\frac{1}{4}$ "-.28 x $\frac{3}{16}$ " lg mtg bushing; silicone-fibreglass collars w/one term. on top and two term. on bottom; impregnated.	Band D oscillator coil	N16-C-76697-5051	(21) 599-65	599-65	L104	1
L105	COIL, RF; oscillator; single winding; 1 pie universal wound; tapped; $\frac{1}{16}$ " max diam x $1\frac{3}{8}$ " lg excl mtg bshg; 57.1 uh; ceramic form; adjustable powdered iron core; screwdriver adjustment at bottom of coil; $\frac{1}{4}$ "-.28 x $\frac{3}{16}$ " lg mtg bushing; silicone-fibreglass collars w/one term. on top and one term. on bottom; impregnated.	Band E oscillator coil	N16-C-76648-6676	(21) 599-66	599-66	L105	1
L106	COIL, RF; oscillator; single winding; single layer wound; tapped; $\frac{1}{16}$ " max diam x $1\frac{3}{8}$ " lg excl mtg bshg; 5.79 uh; ceramic form; adjustable powdered iron core; screwdriver adjustment at bottom of coil; $\frac{1}{4}$ "-.28 x $\frac{3}{16}$ " lg mtg bshg; silicone-fibreglass collars w/one term. on top and two term. on bottom; impregnated.	Band F oscillator coil	N16-C-76596-5861	(21) 599-67	599-67	L106	1
L107	COIL, RF; oscillator; single winding; single layer wound; tapped; $\frac{1}{16}$ " max diam x $1\frac{3}{8}$ " lg excl mtg bshg; .576 uh; ceramic form; adjustable powdered iron core; screwdriver adjustment at bottom of coil; $\frac{1}{4}$ "-.28 x $\frac{3}{16}$ " lg mtg bshg; silicone-fibreglass collars w/one term. on top and one term. on bottom; impregnated.	Band G oscillator coil	N16-C-76522-3851	(21) 599-68	599-68	L107	1
L108	COIL, RF; oscillator; single winding; single layer wound; tapped; $\frac{1}{16}$ " max. diam x $1\frac{3}{8}$ " lg excl mtg bshg; .21 uh; ceramic form; adjustable powdered iron core; screwdriver adjustment on bottom of coil; $\frac{1}{4}$ "-.28 x $\frac{3}{16}$ " lg mtg bshg; silicone-fibreglass collars w/one term. on top and one term. on bottom; impregnated.	Band H oscillator coil	N16-C-76520-3865	(21) 599-69	599-69	L108	1
L109	COIL, RF; choke; single winding; 4 pie; universal wound; 2.5 mh; $\pm 5\%$ ; $1\frac{1}{2}$ " lg x $\frac{3}{16}$ " max diam; solid phenolic form; two $1\frac{1}{2}$ " lg axial wire leads.	V101, B+ RF filter choke	N16-C-99999-0515	(21) 599-70	599-70	L109, 116, 121	3
L110	COIL, RF; choke, single winding; single layer wound; 3 uh; molded coil form with powdered iron core section; $\frac{3}{8}$ " lg x .280" diam; two $1\frac{1}{2}$ " lg axial wire leads.	V101 heater RF filter coil	N16-C-72913-4815	(21) 599-71-2	599-71-2	L110, 120	2

TABLE 7-4. COMBINED PARTS AND SPARE PARTS LIST (Continued)

PARTS								
SYMBOL DESIG.	NAME OF PART AND DESCRIPTION	FUNCTION	JAN. AND (NAVY TYPE) NO.	STANDARD NAVY AND (SIGNAL CORP.) STOCK NO.	MFR'S & MFR'S DESIG- NATION	CON- TRACTOR DRAWING PART NO.	ALL SYMBOL DESIG. INVOLVED	QUAN. PER EQUIP.
<b>Inductors (cont)</b>								
L111	COIL, RF: choke; single winding; single layer wound; 2.0 uh $\pm 10\%$ ; 1.7 ohms $\pm 20\%$ dc resistance; 300 ma; insulated; molded mica-filled phenolic compound; $\frac{1}{4}$ " diam x $\frac{3}{8}$ " lg; two $1\frac{1}{2}$ " axial wire leads.	V102 coupling network coil		N16-C-72853-7697	(16) Type CLA	599-72	L111, 112	2
L112	Same as L111.	V102 coupling network coil						
L113	COIL, RF: choke; single winding; single layer wound; .68 uh $\pm 15\%$ ; .44 ohms $\pm 30\%$ dc resistance; 600 ma; insulated; molded mica-filled phenolic compound; $\frac{1}{4}$ " diam x $\frac{3}{8}$ " lg; two $1\frac{1}{2}$ " lg axial wire leads.	V102 coupling network coil		N16-C-72757-2501	(16) Type CLA	599-73	L113	1
L114	COIL, RF: choke; single winding; single layer wound; 1.5 uh $\pm 10\%$ ; 1.2 ohms $\pm 20\%$ dc resistance; 350 ma; insulated; molded mica-filled phenolic compound; $\frac{1}{4}$ " diam x $\frac{3}{8}$ " lg; two $1\frac{1}{2}$ " lg axial wire leads.	V103 coupling network coil		N16-C-72819-8849	(16) Type CLA	599-74	L114	1
L115	COIL, RF: choke; single winding; single layer wound; 1.2 uh $\pm 10\%$ ; .85 ohms $\pm 20\%$ dc resistance; 400 ma; insulated; molded mica-filled phenolic compound; $\frac{1}{4}$ " diam x $\frac{3}{8}$ " lg; two axial wire leads.	V103 coupling network coil		N16-C-72793-7227	(16) Type CLA	599-75	L115	1
L116	Same as L109.	V103 plate choke						
L117	COIL, RF: choke; single winding; 3 pie universal wound; 11.5 mh; $\pm 5\%$ ; $\frac{3}{8}$ " diam x 1" lg; powdered iron core; with brass insert for mounting; two collars with term.	V103 plate choke		N16-C-75168-9790	(21) 599-76	599-76	L117, 118	2
L118	Same as L117.	V103 plate choke						
L119	COIL, RF: choke; single winding; 2 pie universal wound; 100 uh; $\pm 5\%$ ; $\frac{3}{8}$ " diam x $\frac{3}{8}$ " lg; solid phenolic form; two axial wire leads.	V102 and V103 B+ RF filter coil		N16-C-73735-8573	(21) 599-77	599-77	L119, 124	2
L120	Same as L110.	V102, V103 and V104 heater RF filter coil						
L121	Same as L109.	V105 cathode RF choke						
L122	COIL, RF: choke; single winding; single layer wound; 7.0 uh; $\pm 10\%$ ; .95 ohms $\pm 10\%$ dc resistance; 1 amp; $\frac{1}{2}$ " diam x 1" lg; phenolic core; two axial wire leads.	Line filter choke		N16-C-73043-1051	(19) Z-50	599-78	L122, 123	2
L123	Same as L122.	Line filter choke						
L124	Same as L119.	J105 RF filter choke						

L201	CHOKER, filter: 11 h $\pm 10\%$ ; 75 ma; 400 ohms max dc resistance; 750V RMS test; hermetically sealed metal case; $1\frac{1}{4}$ " lg x $1\frac{1}{2}$ " wd x $2\frac{1}{2}$ " high excl term; four No. 6-32 x $\frac{3}{8}$ " lg mtg studs on $1\frac{1}{2}$ " x $1\frac{1}{2}$ " mtg/c; two solder lug term. on bottom of case; Spec. MIL-T-27.	Power supply filter	N16-R-29253-7842	(28) C137	599-79	L201	1
L701	COIL, RF; single winding; single layer wound; 20 uh; $\pm 10\%$ ; .280" diam x $\frac{7}{8}$ " lg; powdered iron core form; two axial wire leads.	p/o antenna simulator SM-35/URM-25	N16-C-73292-4787		599-71-1	L701	1
<b>Meters</b>							
M101	METER, multiscale: DC; range 0 to 100 micro-amps; hermetically sealed round metal flush mtg case; $2\frac{3}{8}$ " barrel diam x 1" deep behind panel; $2\frac{3}{8}$ " diam flange.	RF Output and percent modulation meter	N17-M-34601-1276	(25)	599-81	M101	1
<b>Scales</b>							
N101	SCALE, vernier: for interpolating frequency tuning dial; arc shape; aluminum; 90° lg on $1\frac{1}{8}$ " outside radius and .885" inside radius; .101" thick; ten scale divisions; two .128" diam mtg holes spaced 66° apart on 1.031" radius.	Vernier for tuning dial (N102)	Shop Manufacture	(21) 599-82	599-82	N101	1
N102	DIAL, frequency tuning; etched aluminum dial plate and bakelite knob; round $1\frac{1}{4}$ " diam dial plate .0319" thk; $1\frac{1}{4}$ " diam knob; brass insert for $\frac{1}{4}$ " diam shaft; two No. 8-32 setscrews; dial plate marked in 100 equally spaced divisions.	Main tuning	Shop Manufacture	(21) 599-83	599-83	N102	1
N103	DIAL, frequency scale: round; .064" thk brass; 280 teeth, 48 DP. on 5.832" PD; 1.125" diam hole in center; backlash spring pin .125" diam projecting .093" from back of dial $2\frac{1}{8}$ " from center; eight scales covering 180° each in two groups of four, top group in kilocycles, bottom group in megacycles; additional scale marked 0 to 1000 covering 180° on bottom section.	Frequency scale	If failure occurs, requisition a replacement part from ESO, referencing NAVSHIPS 900, 180a as authority.	(21) 599-84	599-84	N103	1
N104	INDEX, frequency scale: .093" thk transparent plastic per JAN-P-15; $2\frac{1}{4}$ " wd x $6\frac{1}{4}$ " lg; $1\frac{1}{2}$ " diam hole in center; four .166" diam holes on 2.375" x 5.875" mtg/c; .005" wide black hairline on long axis on both sides.	Frequency scale index	Shop Manufacture	(21) 599-85	599-85	N104	1
N105	WINDOW, frequency scale: .040" thk transparent plastic per JAN-P-15; $1\frac{1}{2}$ " wd x $2\frac{3}{8}$ " lg; four .099" diam holes on 1.312" x 1.750" and 2.00" mtg/c.	Window for frequency scale	Fabricate locally from bulk material SNSN GF33-P-4926-150	(21) 599-86	599-86	N105, 106	2
N106	Same as N105.	Window for frequency scale					

TABLE 7-4. COMBINED PARTS AND SPARE PARTS LIST (Continued)

PARTS								
SYMBOL DESIG.	NAME OF PART AND DESCRIPTION	FUNCTION	JAN. AND (NAVY TYPE) NO.	STANDARD NAVY AND (SIGNAL CORP.) STOCK NO.	MFR. & MFR'S DESIG-NATION	CON-TRACTOR DRAWING PART NO.	ALL SYMBOL DESIG. INVOLVED	QUAN. PER EQUIP.
<b>Mechanical Parts</b>								
O 101	GEAR, frequency scale; round; .064" thk brass; 280 teeth; 48 DP on 5.832" PD 60° sector cut to 2" radius; 6 holes 1" diam spaced equally on 1 1/4" rad and 5 holes 1" diam on 2 1/4" rad; one .687" diam mtg hole in center; three .062" diam mtg holes equally spaced on .468" radius.	Anti-backlash gear for frequency scale dial		Shop Manufacture	(21) 599-87	599-87	O 101	1
O 102	HUB, frequency scale dial and gear; stainless steel; 1 1/2" diam x .213" thk o/a; machine to fit gear O 101 and dial N103; .375" diam hole in center; three .078" diam csk holes equally spaced on .937" diam.	Frequency scale dial and gear hub		If failure occurs, requisition a replacement part from ESO, referencing NAVSHIPS 900, 180a as authority.	(21) 599-88	599-88	O 102	1
O 103	MASK, dial; assembly for masking and uncovering ranges on frequency scale; No. .18 gauge aluminum with black enamel finish; 5 1/2" diam; brass hub in center 1 1/4" diam x .312" thk o/a; w/.250" diam hole in center and two No. 6-32 NC-2 holes tapped 90° apart for setscrew; four 1/4" wide slots covering 24°, spaced 45° apart on 1 3/8", 1 3/8", 2 3/8", and 2 3/8" rad.	Frequency scale mask		Shop Manufacture	(21) 599-89	599-89	O 103	1
O 104	SPRING, detent; steel, heat treated to spring temper; .041" thk; 2 3/8" lg x 3/4" wide o/a; 1 3/8" of length .390" wide and curved to 2.562" rad; retainer for roller at one end; two slots on 3/8" mtg/c.	p/o turret detent		Shop Manufacture	(21) 599-90	599-90	O 104	1
O 105	ROLLER, detent; stainless steel; .375" diam x .375" lg; .093" diam x 1/8" lg axle at each end.	p/o turret detent		Shop Manufacture	(21) 599-91	599-91	O 105	1
O 106	CLAMP, crystal; .010" thk beryllium copper, heat treated; 3/8" wide x 3/32" high x 1/16" deep o/a; two bends; two .128" diam holes on 3/8" mtg/c.	Retains crystal Y101 in socket XY101		Shop Manufacture	(21) 599-92	599-92	O 106	1
<b>Connectors, Plugs</b>								
P101	CONNECTOR, plug; 2 rectangular female polarized contacts; straight type; 3/32" diam x 1/16" lg excl cable clamp; 730V rms; 10 amp; cylindrical crystal finish metal body; molded black bakelite insert; cable opening 3/8" diam max; includes adjustable grip cable clamp.	p/o interconnecting AC power cable (W102)		N17-C-71126-4813	(17) S-302-CCT	599-93	P101	1
P102	CONNECTOR, plug; 6 flat polarized blades; straight type; 1" lg x 1/8" wd x 1/16" deep excl contacts and cable clamp; 730V; 10 amps; rectangular crystal finish metal body;	p/o power supply output power cable (W103)		N17-C-71515-8115	(17) P-306-CCT	599-94	P102	1

P103	molded black bakelite insert; cable opening $\frac{3}{16}$ " diam max; incl adjustable grip cable clamp. CONNECTOR, plug: one round coaxial male contact; straight type; $\frac{3}{32}$ " lg x $\frac{3}{64}$ " diam o/a; 52 ohms impedance; cylindrical brass, silver pl; locking type body; molded polystyrene insert; cable opening approx $\frac{3}{32}$ " diam; MIL-C-3608.	UG-88/U	N17-C-71408-3521	599-95	P103, 104, 105, 106, 107, 108, 109	7
P104	Same as P103.	p/o RF output cable (W104)				
P105	Same as P103.	p/o RF output cable (W104)				
P106	Same as P103.	p/o RF output cable (W105)				
P107	Same as P103.	p/o RF output cable (W105)				
P108	Same as P103.	p/o RF output cable (W106)				
P109	Same as P103.	p/o RF output cable (W106)				
P801	CONNECTOR, adaptor: male one end, female other end; coax male type N at one end, coax female type BNC other end; straight type; adapts female type N to male type BNC connector; $\frac{3}{8}$ " diam x $1\frac{1}{16}$ " lg o/a; 52 ohms impedance; cylindrical brass silver pl; molded polystyrene insert.	AN type UG-201A/U Coaxial adapter	N17-C-67990-2447	599-96	P801	1

Resistors

R101-1	RESISTOR, fixed; composition; 220K $\pm 10\%$ ; $\frac{1}{2}$ W; 300 rcwv; characteristic GF; insulated; resistant to humidity and salt water immersion; 0.468" lg; 2 axial wire leads; MIL-R-11/2.	Band A, V101 grid leak resistor	RC20GF224K	599-182	R101-1	1
R102	RESISTOR, fixed; composition; 47K $\pm 10\%$ ; $\frac{1}{2}$ W; 153 rcwv; characteristic GF; insulated; resistant to humidity and salt water immersion; 0.249" diam x 0.468" lg; 2 axial wire leads; MIL-R-11/2.	Band A, V101 cathode resistor	RC20GF473K	599-98	R102, 156, 161	3
R103-1	RESISTOR, fixed; composition; 150K $\pm 10\%$ ; $\frac{1}{2}$ W; 300 rcwv; characteristic GF; insulated; resistant to humidity and salt water immersion; 0.249" diam x 0.468" lg; 2 axial wire leads; MIL-R-11/2.	Band B, V101 grid leak resistor	RC20GF154K	599-183	R103-1	1
R104	RESISTOR, fixed; composition; 22K $\pm 10\%$ ; $\frac{1}{2}$ W; 105 rcwv; characteristic GF; insulated; resistant to humidity and salt water immersion; 0.249" diam x 0.468" lg; 2 axial wire leads; MIL-R-11/2.	Band B, V101 cathode resistor	RC20GF223K	599-100	R104, 111, 150, 168	4
R105-1	RESISTOR, fixed; composition; 33K $\pm 10\%$ ; $\frac{1}{2}$ W; 128 rcwv; characteristic GF; insulated; resistant to humidity and salt water immersion; 0.249" diam x 0.468" lg; 2 axial wire leads; MIL-R-11/2.	Band C, V101 grid leak resistor	RC20GF333K	599-111	R105-1, 117	2

TABLE 7-4. COMBINED PARTS AND SPARE PARTS LIST (Continued)

PARTS								
SYMBOL DESIG.	NAME OF PART AND DESCRIPTION	FUNCTION	JAN. AND (NAVY TYPE) NO.	STANDARD NAVY AND (SIGNAL CORP.) STOCK NO.	MFGR. & MFGR'S DESIG- NATION	CON- TRACTOR DRAWING PART NO.	ALL SYMBOL DESIG. INVOLVED	QUAN. PER EQUIP.
<b>Resistors (cont)</b>								
R106	RESISTOR, fixed; composition; 18K $\pm 10\%$ ; $\frac{1}{2}W$ ; 95 rcwv; characteristic GF; insulated; resistant to humidity and salt water immersion; 0.249" diam x 0.468" lg; 2 axial wire leads; MIL-R-11/2.	Band C, V101 cathode resistor	RC20GF183K			599-102	R106	1
R107-1	RESISTOR, fixed; composition; 10K $\pm 10\%$ ; $\frac{1}{2}W$ ; 71 rcwv; characteristic GF; insulated; resistant to humidity and salt water immersion; 0.249" diam x 0.468" lg; 2 axial wire leads; MIL-R-11/2.	Band D, V101 grid leak resistor	RC20GF103K	N16-R-50282-725		599-106	R107-1 112	2
R108	RESISTOR, fixed; composition; 6800 ohms $\pm 10\%$ ; $\frac{1}{2}W$ ; 68 rcwv; characteristic GF; insulated; resistant to humidity and salt water immersion; 0.249" diam x 0.468" lg; 2 axial wire leads; MIL-R-11/2.	Band D, V101 cathode resistor	RC20GF682K	N16-R-50201-818		599-104	R108	1
R109-1	RESISTOR, fixed; composition; 2200 ohms $\pm 10\%$ ; $\frac{1}{2}W$ ; 33 rcwv; characteristic GF; insulated; resistant to humidity and salt water immersion; 0.249" diam x 0.468" lg; 2 axial wire leads; MIL-R-11/2.	Band E, V101 grid leak resistor	RC20GF222K			599-110		4
R110-1	Same as R109-1	Band E, V101 cathode resistor						
R111	Same as R104.	Band F, V101 grid leak resistor						
R112	Same as R107-1	Band G, V101 grid leak resistor						
R113	RESISTOR, fixed; composition; 4700 ohms $\pm 10\%$ ; $\frac{1}{2}W$ ; 48 rcwv; characteristic GF; insulated; resistant to humidity and salt water immersion; 0.249" diam x 0.468" lg; 2 axial wire leads; MIL-R-11/2.	Band H, V101 grid leak resistor	RC20GF472K	N16-R-50129-815		599-107	R113, 144	2
R114	RESISTOR, fixed; composition; 100K $\pm 10\%$ ; $\frac{1}{2}W$ ; 274 rcwv; characteristic GF; insulated; resistant to humidity and salt water immersion; 0.249" diam x 0.468" lg; 2 axial wire leads; MIL-R-11/2.	V102 grid resistor	RC20GF104K	N16-R-50633-785		599-108	R114, 146, 160, 164	4
R115	RESISTOR, fixed; composition; 160 ohm $\pm 5\%$ ; $\frac{1}{2}W$ ; 8.9 rcwv; characteristic GF; insulated; resistant to humidity and salt water immersion; 0.249" diam x 0.468" lg; 2 axial wire leads; MIL-R-11/2.	V102 cathode resistor	RC20GF161J			599-109	R115	1
R116	Same as R109-1	L111 damping resistor						

R117	Same as R105-1	V102 screen grid resistor	RC20GF471J	N16-R-49768-438	599-112	R118	1
R118	RESISTOR, fixed; composition; 470 ohms $\pm 5\%$ ; $\frac{1}{2}$ W; 15 rcwv; characteristic GF; insulated, resistant to humidity and salt water immersion; 0.249" diam x 0.468" lg; 2 axial wire leads; MIL-R-11/2.	V102 plate resistor	RC20GF471J	N16-R-49768-438	599-112	R118	1
R119	RESISTOR, variable; composition; 5000 ohms $\pm 10\%$ ; taper A; $\frac{1}{4}$ W; 35 rcwv; no switch; characteristic T; $\frac{1}{4}$ " rd shaft $1\frac{1}{2}$ " lg; $\frac{3}{16}$ " diam x $\frac{3}{16}$ " thk excl mtg bshg and shaft; $\frac{3}{8}$ "-32 thd mtg bshg 0.375" lg; 3 radial solder lug term.; effective rotation 226° to 318°; mechanical rotation 266° to 318°; JAN-R-94.	Microvolts control	RV2ATRG-502A	N16-R-87317-8740	599-113	R119	1
R120	RESISTOR, fixed; composition; 510 ohms $\pm 5\%$ ; $\frac{1}{4}$ W; 16 rcwv; characteristic GF; insulated, resistant to humidity and salt water immersion; 0.249" diam x 0.468" lg; 2 axial wire leads; MIL-R-11/2.	L113 damping resistor	RC20GF511J	N16-R-49786-438	599-114	R120	1
R121	RESISTOR, fixed; composition; 51K $\pm 5\%$ ; $\frac{1}{2}$ W; 184 rcwv; characteristic GF; insulated; resistant to humidity and salt water immersion; 0.249" diam x 0.468" lg; 2 axial wire leads; MIL-R-11/2.	p/o V103 grid resistor	RC20GF513J	N16-R-50281-725	599-115	R121	1
R122	RESISTOR, fixed; composition; 10K $\pm 5\%$ ; $\frac{1}{2}$ W; 71 rcwv; characteristic GF; insulated; resistant to humidity and salt water immersion; 0.249" diam x 0.468" lg; 2 axial wire leads; MIL-R-11/2.	p/o V103 grid resistor	RC20GF103J	N16-R-50281-725	599-116	R122, 128, 142	3
R123	RESISTOR, fixed; composition; 270 ohms $\pm 5\%$ ; $\frac{1}{2}$ W; 12 rcwv; characteristic GF; insulated; resistant to humidity and salt water immersion; 0.249" diam x 0.468" lg; 2 axial wire leads; MIL-R-11/2.	V103 cathode resistor	RC20GF271J	N16-R-49687-321	599-117	R123	1
R124	RESISTOR, fixed; composition; 1500 ohms $\pm 10\%$ ; $\frac{1}{2}$ W; 27 rcwv; characteristic GF; insulated; resistant to humidity and salt water immersion; 0.249" diam x 0.468" lg; 2 axial wire leads; MIL-R-11/2.	L115 damping resistor	RC20GF152K	N16-R-49967-760	599-118	R124	1
R125	RESISTOR, fixed; composition; 470K $\pm 10\%$ ; $\frac{1}{2}$ W; 350 rcwv; characteristic GF; 2 axial wire leads; MIL-R-11.	p/o V104 biasing system	RC20GF474K	N16-R-50822-761	599-99	R125, 151, 166	3
R126	RESISTOR, fixed; composition; 15K $\pm 5\%$ ; $\frac{1}{2}$ W; 87 rcwv; characteristic GF; insulated, resistant to humidity and salt water immersion; 0.249" diam x 0.468" lg; 2 axial wire leads; MIL-R-11/2.	p/o V104 biasing system	RC20GF153J	N16-R-50335-438	599-119	R126, 170, 171	3
R127	RESISTOR, variable; composition; 1K $\pm 10\%$ ; 2W; taper A; 316 rcwv; characteristic T; no switch; $\frac{1}{4}$ " diam slotted shaft $\frac{1}{2}$ " lg; $1\frac{1}{2}$ " diam x $\frac{3}{16}$ " thk excl mtg bshg and shaft; $\frac{3}{8}$ "-32 thd mtg bshg 0.375" lg; 3 radial solder lug term.; effective rotation 309° to 315°; mechanical rotation 309° to 315°; JAN-R-94.	Carrier meter zero control	RV4ATSA-102A	For replacement use SNSN N16-R-87349-4505	599-120	R127	1



TABLE 7-4. COMBINED PARTS AND SPARE PARTS LIST (Continued)

PARTS									
SYMBOL DESIG.	NAME OF PART AND DESCRIPTION	FUNCTION	JAN. AND (NAVY TYPE) NO.	STANDARD NAVY AND (SIGNAL CORP.) STOCK NO.	MFR. & MFR.'S DESIG. NATION	CON-TRACTOR DRAWING PART NO.	ALL SYMBOL DESIG. INVOLVED	QUAN. PER EQUIP.	
<b>Resistors (cont)</b>									
R128	Same as R122.	p/o V104 load resistor	RC20GF101K	N16-R-49580-766		599-121	R129	1	
R129	RESISTOR, fixed: composition; 100 ohms $\pm 10\%$ ; $\frac{1}{2}W$ ; 7.1 rcw; characteristic GF; insulated; resistant to humidity and salt water immersion; 0.249" diam x 0.468" lg; 2 axial wire leads; MIL-R-11/2.	J101 separating resistor							
R130	RESISTOR, fixed: deposited carbon; 500 ohms $\pm 1\%$ ; $\frac{1}{2}W$ ; 350 max rv; insulated; neg temp. coeff; $\frac{1}{4}$ " diam x $\frac{1}{32}$ " lg; 2 axial wire leads.	p/o attenuating system		N16-R-72953-8841	(9) DC 1/2C	599-122	R130	1	
R131	RESISTOR, fixed: deposited carbon; 61.8 ohms $\pm 1\%$ ; $\frac{1}{4}W$ ; 250 max rv; insulated; neg temp. coeff; $\frac{3}{4}$ " diam x $\frac{1}{2}$ " lg; 2 axial wire leads.	p/o step attenuator		N16-R-72869-1367	(9) DC 1/8	599-123	R131	1	
R132	RESISTOR, fixed: deposited carbon; 495 ohms $\pm 1\%$ ; $\frac{1}{4}W$ ; 250 max rv; insulated; neg temp. coeff; $\frac{3}{4}$ " diam x $\frac{1}{2}$ " lg; 2 axial wire leads.	p/o step attenuator		N16-R-72952-5301	(9) DC 1/8	599-124	R132, 134, 136, 138, 140	5	
R133	RESISTOR, fixed: deposited carbon; 61.1 ohms $\pm 1\%$ ; $\frac{1}{4}W$ ; 250 max rv; insulated; neg temp. coeff; $\frac{3}{4}$ " diam x $\frac{1}{2}$ " lg; 2 axial wire leads.	p/o step attenuator		N16-R-72868-3271	(9) DC 1/8	599-125	R133, 135, 137, 139	4	
R134	Same as R132.	p/o step attenuator							
R135	Same as R133.	p/o step attenuator							
R136	Same as R132.	p/o step attenuator							
R137	Same as R133.	p/o step attenuator							
R138	Same as R132.	p/o step attenuator							
R139	Same as R133.	p/o step attenuator							
R140	Same as R132.	p/o step attenuator							
R141	RESISTOR, fixed: deposited carbon; 55.0 ohms $\pm 1\%$ ; $\frac{1}{4}W$ ; 250 max rv; insulated; neg temp coeff; $\frac{3}{4}$ " diam x $\frac{1}{2}$ " lg; 2 axial wire leads.	p/o step attenuator		N16-R-72862-2323	(9) DC 1/8	599-126	R141	1	
R142	Same as R122.	Modulation input RF filter resistor							
R143	RESISTOR, fixed: composition; 270 ohms $\pm 10\%$ ; $\frac{1}{2}W$ ; 12 rcw; characteristic GF; insulated; resistant to humidity and salt water immersion; 0.249" diam x 0.468" lg; 2 axial wire leads; MIL-R-11/2.	V103 screen voltage RF filter resistor	RC20GF271K	N16-R-72862-2323		599-127	R143	1	

R144	Same as R113.	V104 output RF filter resistor	RC20GF273K				1
R145	RESISTOR, fixed; composition; 27K ±10%; ½W; 116 rcwv; characteristic GF; insulated; resistant to humidity and salt water immersion; 0.249" diam x 0.468" lg; 2 axial wire leads; MIL-R-11/2.	V105 screen grid resistor	RC20GF273K				1
R146	Same as R114.	V105 plate resistor					2
R147	RESISTOR, fixed; composition; 270K ±10%; ½W; 350 rcwv; characteristic GF; insulated; resistant to humidity and salt water immersion; 0.249" diam x 0.468" lg; 2 axial wire leads; MIL-R-11/2.	V105 first grid resistor	RC20GF274K				2
R148	Same as R147.	V105 third grid resistor					2
R149	Same as R109-1.	V105 B+ RF filter resistor					2
R150	Same as R104.	V105 output RF filter resistor					2
R151	Same as R125	V106 grid resistor					2
R152	RESISTOR, fixed; deposited carbon; 393K ±1%; ½W; 350 max rv; insulated; neg temp. coeff; ¼" diam x ½" lg; 2 axial wire leads.	V106 400 cps bridge resistor		N16-R-73259-6084	(9) DC 1/2C		2
R153	Same as R152.	V106 400 cps bridge resistor					2
R154	RESISTOR, fixed; deposited carbon; 154K ±1%; ½W; 350 max rv; insulated; neg temp. coeff; ¼" diam x ½" lg; 2 axial wire leads.	V106 1000 cps bridge resistor		N16-R-73210-1301	(9) DC 1/2C		2
R155	Same as R154.	V106 1000 cps bridge resistor					2
R156	Same as R102.	V106 degeneration resistor					1
R157	RESISTOR, variable; composition; 25000 ohms ±10%; 2W; continuously adjustable; linear curve U; no switch; 1¼" diam x ¾" thk excl mtg bshg and shaft; ¼" diam slotted shaft ½" lg; ¾"-32 thd mtg bshg ¼" lg; 3 radial solder lug term.	V106 degeneration control		N16-R-87749-4560	(1) JLU. 2531		3
R158	RESISTOR, fixed; composition; 1000 ohms ±10%; ½W; 22 rcwv; characteristic GF; insulated; resistant to humidity and salt water immersion; 0.249" diam x 0.468" lg; 2 axial wire leads; MIL-R-11/2.	p/o V106 cathode resistor	RC20GF102K				3
R159	RESISTOR, fixed; composition; 20K ±5%; ½W; 100 rcwv; characteristic GF; insulated; resistant to humidity and salt water immersion; 0.249" diam x 0.468" lg; 2 axial wire leads; MIL-R-11/2.	p/o V106 cathode resistor	RC20GF203J				1
R160	Same as R114.	V106 plate resistor					1

TABLE 7-4. COMBINED PARTS AND SPARE PARTS LIST (Continued)

PARTS								
SYMBOL DESIG.	NAME OF PART AND DESCRIPTION	FUNCTION	JAN. AND (NAVY TYPE) NO.	STANDARD NAVY AND (SIGNAL CORP.) STOCK NO.	MFR. & MFR'S DESIG- NATION	CON- TRACTOR DRAWING PART NO.	ALL SYMBOL DESIG. INVOLVED	QUAN. PER EQUIP.
<b>Resistors (cont)</b>								
R161	Same as R102.	V106 plate resistor	RC20GF 105K	N16-R-50975-725		599-97	R163	1
R162	Same as R158.	V106 cathode resistor						
R163	RESISTOR, fixed: composition; 1 megohm $\pm$ 10%; 1/2 W; 350 rcwv; characteristic GF; MIL-R-11.	V106 grid resistor						
R164	Same as R114.	p/o V106 output divider						
R165	RESISTOR, variable: composition; 50K $\pm$ 10%; 2W; 3/16 rcwv; taper A; characteristic T; no switch; 1/4" diam rd shaft 3/4" lg; 1 1/2" diam x 2 1/2" thk excl mtg bshg and shaft; 3/8"-32 thd mtg bshg 0.375" lg; 3 radial solder lug term; effective and mechanical rotation 309° to 315°; JAN-R-94.	p/o Mod, Audio Out, Xtal Cal Out control	RV4ATRD- 503A	For replacement use SNSN N16-R-87849-4765		599-135	R165	1
R166	Same as R125.	V107 grid resistor						
R167	Same as R158.	V107 biasing resistor						
R168	Same as R104.	V107 cathode resistor						
R169	RESISTOR, variable: composition; 2500 ohms $\pm$ 10%; 2W; continuously adjustable; linear curve U; no switch; 1 1/8" diam x 3/8" thk excl mtg bshg and shaft; 1/4" diam slotted shaft 3/8" lg; 3/8"-32 thd mtg bshg 1/2" lg; 3 radial solder-lug term.	Modulation metering sensitivity control		N16-R-87419-4350	(1) JLU- 2521	599-136	R169, 172	2
R170	Same as R126.	p/o modulation metering system						
R171	Same as R126.	p/o modulation metering system						
R172	Same as R169.	Carrier metering sensitivity control						
R173	RESISTOR, variable: wire wound; 50000 ohms $\pm$ 10%; 4W; 40°C max continuous operating temp.; 3 solder lug term; encl bakelite case w/metal cover; 1 3/8" diam x 1 1/8" lg; 1/4" diam rd shaft 7/8" lg; JAN A taper; no switch; normal torque, mtg bshg 3/8"-32 thd x 1/4" lg. MIL-R-19	Set carrier control	RA30AIRD- 503AK	For replacement use SNSN N16-R-91568-8722	(4)	599-137	R173	1
R174	RESISTOR, fixed: wire wound; 16 ohms $\pm$ 5%; 1W; characteristic C; resistant to salt water immersion and moisture 3/32" diam x 1 1/2" lg; 2 axial wire leads JAN-R-184.	Dial light dropping resistor	RU4C160J	For replacement use SNSN N16-R-68322-1601		599-138	R174, 175	2
R175	Same as R174.	Dial light dropping resistor						

R176	RESISTOR, fixed; comp. 3.3 meg $\pm 10\%$ ; $\frac{1}{4}W$ ; 350 rcwv; characteristic GF; insulated; resistant to humidity and salt water immersion; 0.249" diam x 0.468" lg; 2 axial wire leads; MIL-R-11/2. Same as R129.	Xtal, Cal coupling resistor	RC20GF335K	599-139	R176	1
R177	RESISTOR, fixed; wire wound; 3100 ohms $\pm 5\%$ ; 22W; characteristic G; untapped; $3\frac{1}{2}$ " lg x $\frac{3}{8}$ " high x $1\frac{3}{4}$ " wd excl term; stack mtg; two 0.196" diam holes on $2\frac{1}{4}$ " mtg/c; two tab term; MIL-R-26B.	V107 series grid resistor	RW21G312	599-140	R201	1
R201	RESISTOR, fixed; deposited carbon; 75 ohms $\pm 1\%$ ; $\frac{1}{4}W$ ; 350 max rv; insulated; neg temp coeff; $\frac{1}{4}$ " diam x $\frac{1}{32}$ " lg; 2 axial wire leads.	Power supply series dropping resistor	N16-R-66168-2006	599-141	R301, 303	2
R301	RESISTOR, fixed; deposited carbon; 120 ohms $\pm 1\%$ ; $\frac{1}{2}W$ ; 350 max rv; insulated; neg temp coeff; $\frac{1}{4}$ " diam x $\frac{1}{32}$ " lg; 2 axial wire leads.	p/o 5:1 fixed attenuator	For replacement use SNSN N16-R-72882-1459	(9) DC 1/2C	R302	1
R302	RESISTOR, fixed; deposited carbon; 247.5 ohms $\pm 1\%$ ; $\frac{1}{2}W$ ; 350 max rv; insulated; neg temp. coeff; $\frac{1}{4}$ " diam x $\frac{1}{32}$ " lg; 2 axial wire leads.	p/o 5:1 fixed attenuator	N16-R-72904-3991	(9) DC 1/2C	R401, 403	2
R303	RESISTOR, fixed; deposited carbon; 50 ohms $\pm 1\%$ ; $\frac{1}{4}W$ ; 350 max rv; insulated; neg temp. coeff; $\frac{1}{4}$ " diam x $\frac{1}{32}$ " lg; 2 axial wire leads.	p/o 10:1 fixed attenuator	N16-R-72868-3301	(9) DC 1/2C	R402	1
R401	RESISTOR, fixed; deposited carbon; 400 ohms $\pm 1\%$ ; $\frac{1}{2}W$ ; 350 max rv; insulated; neg temp. coeff; $\frac{1}{4}$ " diam x $\frac{1}{32}$ " lg; 2 axial wire leads.	p/o 10:1 fixed attenuator	N16-R-72924-8120	(9) DC 1/2C	R501	1
R402	RESISTOR, fixed; deposited carbon; 400 ohms $\pm 1\%$ ; $\frac{1}{2}W$ ; 350 max rv; insulated; neg temp. coeff; $\frac{1}{4}$ " diam x $\frac{1}{32}$ " lg; 2 axial wire leads.	p/o impedance adapter	N16-R-72857-2333	(9) DC 1/2C	R701	1
R-403	RESISTOR, fixed; deposited carbon; 400 ohms $\pm 1\%$ ; $\frac{1}{2}W$ ; 350 max rv; insulated; neg temp. coeff; $\frac{1}{4}$ " diam x $\frac{1}{32}$ " lg; 2 axial wire leads.	MX-1487/URM-25D	N16-R-72943-9815	(9) DC 1/2C		
R501	RESISTOR, fixed; deposited carbon; 400 ohms $\pm 1\%$ ; $\frac{1}{2}W$ ; 350 max rv; insulated; neg temp. coeff; $\frac{1}{4}$ " diam x $\frac{1}{32}$ " lg; 2 axial wire leads.	SM-35/URM-25				
R701	RESISTOR, fixed; deposited carbon; 400 ohms $\pm 1\%$ ; $\frac{1}{2}W$ ; 350 max rv; insulated; neg temp. coeff; $\frac{1}{4}$ " diam x $\frac{1}{32}$ " lg; 2 axial wire leads.					
<b>Switches</b>						
S101	SWITCH, rotary; 2 section; 4 positions; 1 pole, 6 stator contacts on 1 section; 4 stator contacts on 1 section; silver alloy contacts; ceramic body; $\frac{1}{8}$ " lg x $1\frac{1}{4}$ " wd x $1\frac{3}{16}$ " high; single hole mtg bshg $\frac{3}{8}$ "-32 x $\frac{1}{4}$ " lg; $\frac{1}{4}$ " diam rd shaft $\frac{1}{4}$ " lg; non-turn device.	Carrier Range Switch	N17-S-99999-0212	(21) 599-147 (18)	S101	1
S102	SWITCH, rotary; 4 section; 5 position; 2 poles per section on 3 sections; 2 stator contacts on 1 section; silver alloy contacts; ceramic body; $1\frac{1}{4}$ " lg x $1\frac{3}{8}$ " wd x $1\frac{1}{16}$ " high; shorting type; solder lug term; signal hole mtg; bushing $\frac{3}{8}$ "-32 x $\frac{1}{4}$ " lg; $\frac{1}{4}$ " diam rd metal shaft $\frac{3}{8}$ " lg; non-turn device.	Mod, Xtal & Meter Selector	N17-S-66104-6947	(21) 599-147 (13)	S102	1

TABLE 7-4. COMBINED PARTS AND SPARE PARTS LIST (Continued)

PARTS								
SYMBOL DESIG.	NAME OF PART AND DESCRIPTION	FUNCTION	JAN. AND (NAVY TYPE) NO.	STANDARD NAVY AND (SIGNAL CORP.) STOCK NO.	MFG. & MFG.'S DESIG. NATION	CON-TRACTOR DRAWING PART NO.	ALL SYMBOL DESIG. INVOLVED	QUAN. PER EQUIP.
<b>Switches (Cont)</b>								
S103	SWITCH, toggle: DPST; 5 amps; 125v dc; phenolic body; 1 1/2" lg x 3/8" wd x 3/16" d; 1/16" lg bat type handle; normally open; solder lug term; single hole mtg bshg 1/2"-32, 1/2" lg; Spec. JAN-S-23.	Power Off/On Switch	ST22K	For replacement use N17-S-72828-2605	(6) ST22K	599-149	S103	1
<b>Transformer</b>								
T201	TRANSFORMER, power: filament and plate type; 115V, 50/1000 cyc; single ph; two output windings, sec #1 - 6.5V at 4.5 amp; sec #2 - 450V CT at 75 ma; working voltage to ground, pri 165V - RMS test 500V, sec #1 - 10V - RMS test 500V, sec #2 - 320 V - RMS test 900V; hermetically sealed rectangular case; 3" lg x 2 1/2" wd x 3 3/4" high excl term; seven 1/2" high standoff term; four No. 8-32 x 1/2" lg mtg bolts on 2" x 2 1/4" mtg/c; Spec. MIL-T-27, Grade 1, Class A, Family 03.	Power Transformer		N17-T-77343-1319	(21) 599-150	599-150	T201	1
<b>Terminal Boards</b>								
TB101	BOARD, terminal: resistor, capacitor, Xtal diode mounting board; 66 standoff lug term; XXX phenolic rectangular board, .093" thk; 6 1/16" lg x 4" wd; four .128" diam holes on 1.750" x 5.125" mtg/c.	Audio and metering terminal board		Shop Manufacture	(21) 599-151	599-151	TB101	1
TB102	BOARD, terminal: 5 feed-through lug term; XXX phenolic rectangular board, .093" thk; 1 1/2" lg x 1 1/4" wd; two .104" diam holes on 2 1/2" x 5 1/2" mtg/c.	RF filters output		Shop Manufacture	(21) 599-152	599-152	TB102	1
TB103	BOARD, terminal: resistor, capacitor, choke mounting board; 5 feed-through lug term; 4 standoff lug term; XXX phenolic board .093" thk; irregular shape; 3 1/2" lg x 2 1/4" wd o/a; two .128" diam holes on 1 1/4" mtg/c.	RF bracket terminal board assy		Shop Manufacture	(21) 599-153	599-153	TB103	1
<b>Electron Tubes</b>								
V101	ELECTRON TUBE: R-F pentode; MIL-E-1B	Carrier oscillator	6AH6	N16-T-56185		599-154	V101, 102, 107	3
V102	Same as V101.	Buffer stage						
V103	ELECTRON TUBE: power pentode; MIL-E-1B	Output amplifier	6AG7	N16-T-56177		599-155	V103	1
V104	ELECTRON TUBE: double-diode MIL-E-1B	Carrier volt meter	5726	N16-T-75726		599-156	V104	1
V105	ELECTRON TUBE: pentagrid MIL-E-1B	Crystal calibrator	5750	N16-T-75750		599-157	V105	1

Part Number	Description	Modulation oscillator	5814A	N16-T-75814	599-158	V106	1
V106-1	ELECTRON TUBE: double-triode MIL-E-1B	Modulation oscillator	5814A	N16-T-75814	599-158	V106	1
V107	Same as V101.	Modulation cathode follower					
V108-1	ELECTRON TUBE: voltage regulator MIL-E-1B	Voltage stabilizer	OA2WA		599-184	V108	1
V201-1	ELECTRON TUBE: full-wave high-vacuum rectifier MIL-E-1B	Power supply rectifier	6X4WA		599-185	V201	1
<b>Sockets</b>							
XV101	SOCKET, tube: ceramic; 7 contact miniature; brass saddle, top mtg; two 1/4" diam holes on 7/8" mtg/c; round ceramic body; .800" diam x 1 1/4" lg x 2 1/2" high excl term; brass saddle for mtg socket and for mtg twist lock shield; JAN-S-28A.	Tube socket for V101	TS102C01	N16-S-62603-6700	599-161	XV101, 102, 104, 105	4
XV102	Same as XV101.	Tube socket for V102					
XV103	SOCKET, tube: ceramic; octal; brass saddle, bottom mtg; two 6-32 tapped mtg bshgs; round ceramic body 1 1/4" diam; 1 1/4" lg x 1 1/4" wd x 1 1/8" high excl term; JAN-S-28A.	Tube socket for V103	TS101C02	N16-S-63515-4162	599-162	XV103	1
XV104	Same as XV101.	Tube socket for V104					
XV105	Same as XV101.	Tube socket for V105					
XV106	SOCKET, tube: phenolic; noval; brass saddle; top mtg; two .125" diam holes on 1.125" mtg/c; round phenolic body; .940" diam x 1 1/2" lg x 2 1/2" high excl term; brass saddle for mtg socket and mtg twist lock shield; JAN-S-28A.	Tube socket for V106	TS103P01	N16-S-64063-6713	599-163	XV106	1
XV107	SOCKET, tube: phenolic; 7-contact miniature; brass saddle top mtg; two 1/8" diam holes on 7/8" mtg/c; round phenolic body; .800" diam x 1 1/8" lg x 2 1/2" high excl term; brass saddle for mtg socket and for mtg twist lock shield; JAN-S-28A.	Tube socket for V107	TS102P01	N16-S-62603-6702	599-164	XV107, 108, 201	3
XV201	Same as XV107.	Tube Socket for V201					
XY101	SOCKET, crystal: copper, silver pl; steatite insulation; 5/4" lg x 3/4" wd x 3/8" high excl term.	Socket for crystal Y101		N16-S-54287-5051	599-165	XY101	1
XF101	HOLDER, fuse: extractor post type; for single 3AG cartridge fuse; black bakelite; 250W at 15 amp; 2 3/16" lg x 1 1/4" diam o/a; 1/2" x 24 x 1/2" lg thd bakelite body for panel hole mtg; 3/32" hole drilled through cap.	Holder for fuse F101		N17-F-74267-5075	599-186	XF101, 102	2
XF102	Same as XF101.	Holder for fuse F102					
XI101	HOLDER, indicator lamp; for miniature bayonet base T-3-1/4 neon lamp; built-in resistor; clear lens; for 1/4" mtg hole; molded bakelite insulation; 2 solder lug term.	Holder and lens for I101		N17-L-76902-2674	599-167	XI101	1

TABLE 7-4. COMBINED PARTS AND SPARE PARTS LIST (Continued)

PARTS								
SYMBOL DESIG.	NAME OF PART AND DESCRIPTION	FUNCTION	JAN. AND (NAVY TYPE) NO.	STANDARD NAVY AND (SIGNAL CORP.) STOCK NO.	MFR. & MFR'S DESIG- NATION	CON- TRACTOR DRAWING PART NO.	ALL SYMBOL DESIG. INVOLVED	QUAN- PER EQUIP.
<b>Crystal</b>								
Y101	CRYSTAL UNIT, quartz: one quartz plate, nominal frequency 1mc; two .05" diam contact pins spaced 0.486" C to C on bottom; rectangular metal body $\frac{3}{4}$ " lg x $\frac{1}{32}$ " wd x $\frac{3}{4}$ " high; not adjustable.	Crystal calibrator (V105) crystal	CR-18/U	N16-C-96783-1861		599-167 —B	Y101	1
<b>Accessories</b>								
W101-1	CABLE ASSEMBLY, POWER, ELECTRICAL; SJ cable, 3 conductor, stranded no. 18 AWG, rubber insulation, cotton warp, rubber jacket, 6' lg overall; terminal fitting one end and 1 UP-121/M connector plug, other end conductors extend 3" beyond end of jacket, wires tinned; 250 V, 10 amps.	AC line cable			(21) 599-187	599-187	W101-1	1
W104	CABLE ASSEMBLY, RF; JAN type RG-58/U cable 3 ft. 11" lg; two JAN type UG-88/U connectors, one at each end.	RF output cable			(21) 599-168 —B	599-168 —B	W104	1
W105	CABLE ASSEMBLY, RF; JAN type RG-58/U cable 5" lg; two JAN type UG-88/U connectors, one at each end.	Accessory RF output cable			(21) 599-168 —C	598-168 —C	W105, 106	2
W106	Same as W105.	Accessory RF output cable			(21) 599-169	599-169	AT201	1
AT201	ATTENUATOR, fixed; pi network; input and output impedance 50.0 ohms; 5:1 attenuation; enclosed in rectangular aluminum case 2" lg x $1\frac{1}{2}$ " wd x 1" high; two UG-625A/U connectors, one at each end; each marked 5:1 Fixed Attenuator CN-223/URM-25D.	5:1 fixed attenuator		N16-A-96078-2666	(21) 599-170	599-170	AT301	1
AT301	ATTENUATOR, fixed; pi network; input and output impedance 50.0 ohms; 10:1 attenuation; enclosed in rectangular aluminum case 2" lg x $1\frac{1}{4}$ " wd x 1" high; two UG-625A/U connectors, one at each end; each marked 10:1 Fixed Attenuator CN-224/URM-25D.	10:1 fixed attenuator		N16-A-96079-2666	(21) 599-171	599-171	AT401	1
AT401	ADAPTER, impedance; terminating resistor 50.0 ohms; enclosed in rectangular aluminum case 2" lg x $1\frac{1}{4}$ " wd x 1" high; two UG-625A/U connectors, one at each end; marked Impedance Adapter MX-1487/URM-25D.	50 ohms termination		N16-A-22081-1044	(21) 599-171	599-171	AT401	1
W107	LEAD, test: one red lead JAN type SRIR-1(7) 20-2; one black lead JAN type SRIR-1(7) 20-0; 16" lg; each wire term at one end in Mueller type 60CS alligator clip; red lead connected in series with a parallel combination of capacitors C601 and C602; black lead grounded to case;	Output test lead			(21) 599-172	599-172	W107	1

Z101	<p>rectangular aluminum case 2" lg x 1 1/2" wd x 1" high; one UG-625A/U connector at each end; 5/32" ID bushing at other end to permit entry of both leads; marked TEST LEAD CX-1363/U.</p> <p>ANTENNA SIMULATOR: consists of inductor L701, capacitors C701 and C702 and resistor R701; enclosed in rectangular aluminum case 2" lg x 1 1/4" wd x 1" high; two UG-625A/U connectors, one at each end; marked Antenna Simulator SM.35/URM-25.</p> <p>ADAPTER, coaxial: (described under symbol P801).</p> <p>WRENCH: for No. 8 Allen setscrew.</p> <p>WRENCH: for No. 10 Allen setscrew.</p>	Dummy antenna	N16-A-22081-1011	(21) 599-173	599-173	Z101	1
P901	<p>CONNECTOR, adapter: cylindrical nickel pl brass body, 1 1/4" lg x 1" diam excl connectors; one BNC connector, receptacle, type UG-625A/U at one end; one phone jack, type JJ-034 at other end; marked Connector Adapter UG-684A/U.</p>	Adapter from type UG-88/U BNC plug to phone plug type PJ-055	For replacement use SNSN N17-C-67993-7023	(21) 599-176 1	599-176	P901	1
P1001	<p>CONNECTOR, ADAPTER; straight type; BNC type to mate with plug UG-88/U one end, other end to mate with type 49120 receptacle in accordance with U.S. Naval Research Laboratory Drawing RA49F215; 1 7/8" lg x 3/4" dia overall; cylindrical shaped body, brass, silver plate; molded Teflon insert.</p>	Adapter from type UG-88/U BNC plug to type 49120	Low Failure Item if required requisition from ESO referencing Nav Ships 900, 180A	(21) 599-21	599-21	P1001	1
P110	<p>CONNECTOR, PLUG; 3 contacts, male, 2 flat contacts, 1 U shaped contact; polarized; grounded; straight type; 1 1/2" lg x 3 3/8" wide x 1 1/8" high overall excluding protruding contacts; 10 amps, 250 V; rectangular body, steel, cadmium plate; glass-filled alkyd resin insert; 0.45" dia max cable opening; 3rd blade removable.</p>	AC line cable plug		(2) 920	599-177	P110	1



TABLE 7-5. CROSS REFERENCE PARTS LIST

JAN (OR AWS)	KEY SYMBOL	JAN (OR AWS)	KEY SYMBOL	STANDARD NAVY STOCK NO.	KEY SYMBOL
CC21CH120J	C157	TS102U02	E101	N16-C-42764-8898	C130
CC21CK020C	C119	TS102U03	E108	N16-C-45773-6125	C601
CM15B100K	C117	TS103P01	XV106	N16-C-45805-3601	C134
CM15B101K	C111	TS103U02	E106	N16-C-45805-6260	C162
CM15B151K	C131	UG-88/U	P103	N16-C-45963-8500	C204
CM15B180K	C105-1	UG-290/U	J101	N16-C-46182-8905	C166
CM15B360J	C107-1	VO-16	I101	N16-C-46371-9767	C121
CM15B331K	C115	5750	V105	N16C-49958-5143	C203
CM15B560K	C113	5814A	V106-1	N16-C-61917-7445	C123
CM15B511J	C136	6AG7	V103	N16-C-63934-8129	C102
CM20B271J	C156	6AH6	V101	N16-C-64041-4565	C158
CM20B511J	C602	6X4WA	V201-1	N16-C-72757-2501	L113
CM20D201J	C701			N16-C-72793-7227	L115
CM20D391J	C702			N16-C-72819-8849	L114
CM20G151G	C118			N16-C-72853-7697	L111
CM25D102G	C166	AIR FORCE TYPE	KEY SYMBOL	N16-C-72913-4815	L110
CM30B102K	C170	47A40527	E113	N16-C-73043-1051	L122
CM35E103J	C135			N16-C-73292-4787	L701
CN22A103M	C130			N16-C-73735-8573	L119
CN43E104M	C162			N16-C-75168-9790	L117
CN43E204M	C166			N16-C-76520-3865	L108
CP16A3HB203M	C133	ARMY-NAVY TYPE	KEY SYMBOL	N16-C-76522-3851	L107
CP40C2DF405K	C201	CW123A/U	E109	N16-C-76596-5861	L106
CR-18/U	Y101	UG/201/U	P801	N16-C-76648-6676	L105
CV11A120	C102			N16-C-76697-5051	L104
CV12A250	C158			N16-C-76762-2801	L103
RC20GF472K	R113			N16-C-76809-5115	L102
FO2G1ROOB	F101			N16-C-76858-2975	L101
IN198	CR101-1			N16-C-96783-1861	Y101
RC20GF103J	R122	STANDARD NAVY STOCK NO.	KEY SYMBOL	N16-C-99999-0515	L409
RC20GF153J	R126	G17-L-6543-100	E121	N16-C-99999-0520	C127
RC20GF161J	R115	GM17-L-6806-130	I101	N16-K-70094-251	E119
RC20GF203J	R159	GF33-P-4926-150	N105	N16-R-29253-7842	L201
RC20GF271J	R123	GM41-W-2446-2		N16-R-49580-766	R129
RC20GF471J	R118	GM41-W-2449-2			R115
RC20GF513J	R121	N16-A-22081-1011	Z101	N16-R-49687-321	R123
RC20GF101K	R129	N16-A-22081-1044	AT401	N16-R-49688-811	R143
RC20GF102K	R158	N16-A-96078-2666	AT201	N16-R-49768-438	R118
RC20GF103K	R112	N16-A-96079-2466	AT301	N16-R-49786-438	R120
RC20GF104K	R114	N16-A-98026-4901	AT101	N16-R-49967-760	R124
RC20GF105K	R163	N16-C-11008-500	C133	N16-R-50012-811	R158
RC20GF150K	R103-1	N16-C-15432-5867	C119	N16-R-50012-816	R109-1
RC20GF152K	R124	N16-C-15953-2999	C157	N16-R-50129-815	R113
RC20GF182K	R110	N16-C-18211-7941	C120	N16-R-50201-811	R108
RC20GF183K	R106	N16-C-18657-8801	C122	N16-R-20581-725	R122
RC20GF222K	R116	N16-C-18659-7792	C125	N16-R-50282-725	R107-1
RC20GF223K	R104	N16-C-19781-5246	C132	N16-R-50335-438	R126
RC20GF224K	R101-1	N16-C-26025-7541	C101-1	N16-R-50354-811	R106
RC20GF271K	R143	N16-C-27766-6050	C113	N16-R-50362-431	R159
RC20GF273K	R145	N16-C-28557-9050	C111		R149
RC20GF274K	R147	N16-C-28969-9121	C118		R104
RC20GF333K	R117	N16-C-28979-9450	C131	N16-R-50480-440	R145
RC20GF335K	R176	N16-C-29265-3006	C701		R102
OA2WA	V108-1				R121
5726	V104				R114
RC20GF473K	R102				R147
RC20GF474K	R125	N16-C-29608-2196	C156	N16-R-50633-785	R176
RC20GF623J	R111	N16-C-29718-5792	C115		R125
RC20GF682K	R108	N16-C-29898-3606	C702	N16-R-50822-761	R163
RU4C160J	R174	N16-C-30188-3635	C136	N16-R-50975-725	R176
RV2ATRG502A	R119	N16-C-30188-3635	C602	N16-R-51110-811	P201
RV4ATRD503A	R165	N16-C-30188-3635	C602	N16-R-66167-9234	R201
RV4A102A	R127	N16-C-31080-2522	C160	N16-R-66186-2006	R174
RW21G312	R201	N16-C-31090-4164	C170	N16-R-68322-1601	R501
ST22K	S103	N16-C-33617-4758	C135	N16-R-72857-2333	R301
TS-112	E121	N16-C-26605-9557	C105-1	N16-R-72882-1459	R141
TS101CO2	XV103			N16-R-72862-2423	R103-1
TS102CO1	XV101			N16-R-50678-811	R101-1
TS102PO1	XV107			N16-R-50714-818	
TS102U01	E104				

TABLE 7-5. CROSS REFERENCE PARTS LIST (Continued)

STANDARD NAVY STOCK NO.	KEY SYMBOL	STANDARD NAVY STOCK NO.	KEY SYMBOL	STANDARD NAVY STOCK NO.	KEY SYMBOL
N16-R-72868-3271	R133	N16-S-34576-6514	E106	N17-C-67990-2447	P801
N16-R-72869-1367	R132	N16-S-34607-6039	E108	N17-C-71126-4813	P101
N16-R-72904-3991	R302	N16-S-54287-5051	XY101	N17-C-71408-3521	P103
N16-R-72924-8120	R402	N16-S-62603-6700	XV101	N17-C-71515-8115	P102
N16-R-72943-9815	R701	N16-S-62603-6702	XV107	N17-C-73108-1267	J101
N16-R-72952-5301	R131	N16-S-63515-4162	XV103	N17-C-73108-3039	J103
N16-R-72953-8841	R130	N16-S-64063-6713	XV106	N17-C-73108-7477	J102
N16-R-73210-1301	R154		CR101-1	N17-C-73224-1604	J202
N16-R-73259-6084	R152		V108-1	N17-C-73425-9485	J201
N16-R-87349-4505	R127	N16-T-56177	V103	N17-F-14310-380	F101
N16-R-87419-4350	R169	N16-T-56185	V101	N17-F-74267-5075	XF101
N16-R-87517-8740	R119		V201-1	N17-M-34601-1276	M101
N16-R-87749-4560	R157	N16-T-75726	V104	N17-P-69135-6205	E120
N16-R-87849-4765	R165	N16-T-75750	V105	N17-S-73082-9028	S103
N16-R-91568-8722	R173		V106-1	N17-S-66104-6947	S102
N16-S-34520-3864	E104	N17-C-200964-601	E109	N17-S-99999-0212	S101
N16-S-34557-8351	E101			N17-T-77343-1319	T201

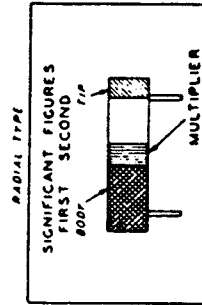
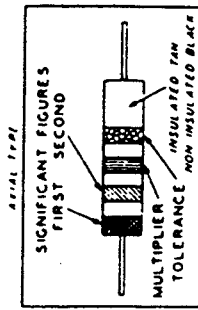
TABLE 7-6. LIST OF MANUFACTURERS

ABBREVIATIONS	PREFIX	NAME	ADDRESS
1	CBZ	Allen-Bradley Co.	Milwaukee, Wis.
2		Automatic & Precision Mfg. Co.,	Yonkers, N.Y.
3	CFA	Bussman Mfg. Co.	St. Louis, Mo.
4	CMC	ClaroStat Mfg. Co.	Brooklyn, N.Y.
5		Croname Inc.	Chicago, Ill.
6	CAE	Cutler-Hammer, Inc.	Milwaukee, Wis.
7	DLC	Dial Light Co.	New York, N.Y.
8	CEB	Eby, Hugh, Inc.	Philadelphia, Pa.
9		Electra Mfg. Co.	Kansas City, Mo.
10	CER	Erie Resistor Co.	Erie, Pa.
11	GE	General Electric Co.	Cleveland, O.
12	GRA	General Radio	Cambridge, Mass.
13		Grigsby-Allison	Arlington Heights, Ill.
14	CCF	Gudeman Co.	Chicago, Ill.
15		Herzog Miniature Lamp Works	New York, New York
16	CIR	International Resistance Corp.	Philadelphia, Pa.
17	CJC	Jones, Howard B.	Chicago, Ill.
18	COC	Oak Mfg. Co.	Chicago, Ill.
19	COM	Ohmite Mfg. Co.	Chicago, Ill.
20	CRK	Radio Condenser Co.	Camden, N.J.
21		Specialty Engineering & Electronics Co.	Brooklyn, N.Y.
22	CSF	Sprague Specialties Co.	N. Adams, Mass.
23	CABU	Superior Electric Co.	Bristol, Conn.
24		Transitron Electronic Corp.	Melrose, Mass.
25	CTO	Triplett Elect. Inst. Co.	Bluffton, Ohio
26		Malco Tool and Mfg. Co.	Chicago, Ill.
27		Dage Electric Co.	Indianapolis, Ind.
28		Tresco	Philadelphia, Pa.

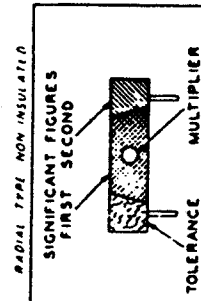
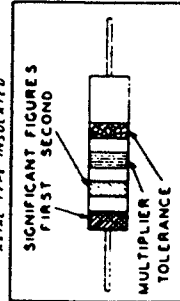
TABLE 7-7. APPLICABLE COLOR CODES AND MISCELLANEOUS DATA

**RESISTOR COLOR CODES**

RMA COLOR CODE FOR  
FIXED COMPOSITION RESISTORS

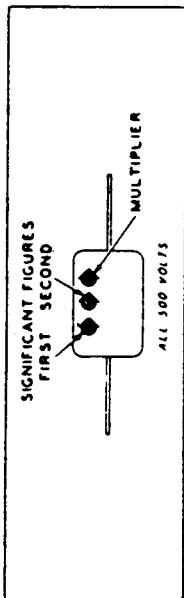


JAN COLOR CODE FOR  
FIXED COMPOSITION RESISTORS

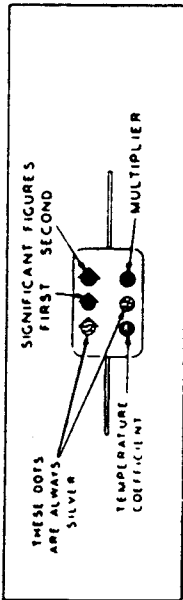


**CAPACITOR COLOR CODES**

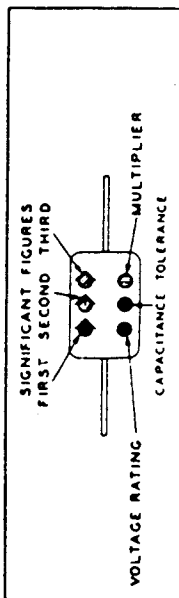
RMA 3-DOT COLOR CODE FOR MICA-DIELECTRIC CAPACITORS



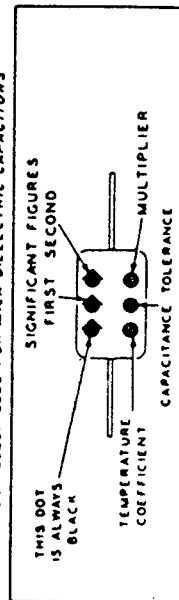
JAN 8-DOT COLOR CODE FOR PAPER-DIELECTRIC CAPACITORS



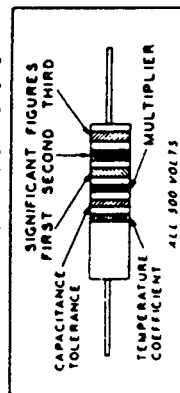
RMA 8-DOT COLOR CODE FOR MICA-DIELECTRIC CAPACITORS



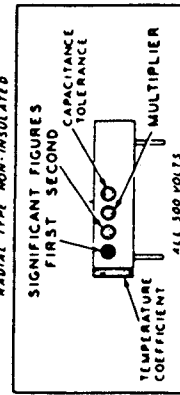
JAN 8-DOT COLOR CODE FOR MICA-DIELECTRIC CAPACITORS



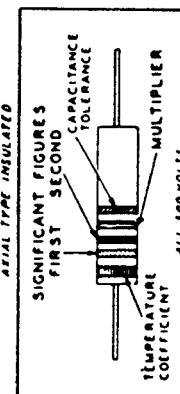
RMA COLOR CODE FOR TUBULAR  
CERAMIC-DIELECTRIC CAPACITORS



JAN COLOR CODE FOR FIXED CERAMIC-DIELECTRIC CAPACITORS



JAN COLOR CODE FOR AXIAL TYPE INSULATED  
FIXED CERAMIC-DIELECTRIC CAPACITORS



RMA RADIO MANUFACTURERS ASSOCIATION  
JAN. JOINT ARMY-NAVY

RESISTORS		CAPACITORS						
TOLERANCE	MULTIPLIER	SIGNIFICANT FIGURE	COLOR	RMA MICA AND CERAMIC-DIELECTRIC	JAN MICA AND CERAMIC-DIELECTRIC	JAN CERAMIC DIELECTRIC	VOLTAGE RATING	TEMPERATURE COEFFICIENT
	1	0	BLACK	1	1	1	100	A
	10	1	BROWN	10	10	10	200	B
	100	2	RED	100	100	100	300	C
	1000	3	ORANGE	1000	1000	1000	400	D
	10000	4	YELLOW	10000	10000	10000	500	E
	100000	5	GREEN	100000	100000	100000	600	F
	1000000	6	BLUE	1000000	1000000	1000000	700	G
	10000000	7	VIOLET	10000000	10000000	10000000	800	
	100000000	8	GRAY	100000000	100000000	100000000	900	
	1000000000	9	WHITE	1000000000	1000000000	1000000000	1000	
3	0.1		GOLD	0.1	0.1	0.1	2000	
10	0.01		SILVER	0.01	0.01	0.01	500	
20			NO COLOR					

INDEX

SUBJECT	FIGURE OR TABLE	PARAGRAPH	PAGE
<b>A</b>			
Adjusting Output Voltage .....		4-6	4-2
Antenna Simulator, Use of .....	4-4, 6-23	4-11	4-5
Applicable Color Codes and Miscellaneous Data .....	7-7		7-30
Attenuators, Fixed .....	6-22, 6-24	4-13, 4-14	4-6
Attenuator, Step			
Calibration .....		6-19	6-8
Removal of .....		6-13	6-3
Top and Bottom Views .....	6-20		6-23
Attenuator, Variable RF .....		4-12	4-6
Audio and Metering Unit			
Interior View .....	6-17		6-22
Rear View .....	6-16		6-22
Audio Compartment Assembly .....		6-12	6-3
Audio Output .....		4-7b	4-2
Audio Response Test .....		4-16b(4)	4-10
Audio Voltage .....		2-2d	2-3
<b>B</b>			
Beat Amplifier .....		2-5c	2-7
Buffer Amplifier			
Rear View .....	6-6		6-5
Bottom View .....	6-7		6-6
Side View .....	6-5		6-5
Buffer Stage .....	2-3	2-2c	2-2
<b>C</b>			
Calibrating the Step Attenuator .....	(See Attenuator, Step)		
Calibrating the Voltmeter .....	(See Voltmeter)		
Carrier Oscillator .....	2-2	2-2b	2-2
Carrier Oscillator Bracket .....	6-8		6-7
Cathode Follower .....		2-5d	2-7
Cathode Follower Stage .....	2-6	2-3c	2-4
Charts			
General Test Procedure for Localizing Trouble .....	6-3		6-13
Percentage Modulation .....	6-14		6-20
Routine maintenance check .....	5-1	5-1	5-0
Suggested tests for locating trouble .....	6-4		6-14
Trouble Shooting .....	6-2		6-12
Voltage and Resistance .....	6-15		6-21
Circuits, General Description of .....		2-1	2-1
Combined Parts and Spare Parts List .....	7-4		7-3
Coupling to the Receiver Under Test .....		4-10	4-5
Cross Reference Between Symbol Number and Figure			
Location .....	6-8		6-35
Cross Reference Parts List .....	(See Parts List)		
Crystal Calibration .....		2-5a	2-6
Crystal Calibrator			
Analysis of .....	2-9	2-5b	2-6
Limitations of .....		6-16b	6-4
Operation of .....		4-5	4-1
Crystal Calibrator Bracket Assembly .....	6-9	6-11	6-3

SUBJECT	FIGURE OR TABLE	PARAGRAPH	PAGE
<b>D</b>			
Data			
Frequency Calibration .....	6-1	.....	6-11
Reference .....	1-5	.....	1-5
Shipping .....	1-2	.....	1-3
Description, detailed .....	.....	1-2	1-1
Diagrams			
AC Power Source .....	2-14	.....	2-11
Antenna Simulator SM-35/URM-25 with Input Impedance Frequency Curve .....	4-8	.....	4-5
Attenuator, Fixed .....	2-10	.....	2-10
Attenuator, Step .....	2-8	.....	2-8
Buffer Stage .....	2-3	.....	2-3
Crystal Calibrator .....	2-9	.....	2-9
Modulation Cathode Follower and Crystal Rectifier .....	2-6	.....	2-6
Modulation Oscillator .....	2-5	.....	2-5
Output Amplifier Stage .....	2-4	.....	2-3
Power Supply .....	2-12	.....	2-11
RF Oscillator .....	2-2	.....	2-2
RF Signal Generator .....	2-1	.....	2-1
Vacuum Tube Voltmeter .....	2-7	.....	2-7
Vernier Reading of Frequency Scale .....	4-2	.....	4-2
Voltage Regulator .....	2-13	.....	2-11
<b>E</b>			
Electron Tube Complement .....	1-4	.....	1-5
Equipment Similarities .....	1-3	.....	1-4
Equipment supplied .....	1-1	.....	1-3
Equivalent Circuits			
With Impedance Adapter added .....	4-5	.....	4-3
With Series Matching Resistor added .....	4-6	.....	4-3
With Shunt Resistor added .....	4-7	.....	4-4
Exterior Views .....	(See Views of Units)		
External Modulation			
Analysis of .....	.....	2-4	2-5
Operation .....	.....	4-8	4-2
<b>F</b>			
Failure Report .....	6-1	.....	6-0
Fixed Attenuators .....	(See Attenuator, Fixed)		
Frequency Calibration			
Chart .....	6-1	6-17b	6-6
Procedure .....	6-12	6-17	6-5
Readjustment of .....	6-12	6-16	6-4
Frequency Calibration Data .....	(See Data, Frequency Calibration)		
Frequency Interpolation .....	4-2	4-5c	4-1
Frequency Calibration .....	.....	6-16b	6-4
Fuse Locations .....	5-3	.....	5-1
Fuse Failure .....	5-2	5-2	5-0
<b>G</b>			
General Chart of Test Procedure .....	6-3	.....	6-13
General Instructions for Use .....	(See Instructions)		

SUBJECT	FIGURE OR TABLE	PARAGRAPH	PAGE
<b>I</b>			
Impedance Adapter .....	4-3, 6-25	.....	4-3
Installation .....	.....	3-2	3-1
Instructions, General, for use .....	.....	4-16	4-7
Interior Views .....	(See Views of Units)	.....	.....
Internal Modulation			
Analysis of .....	.....	2-3a	2-4
Operation .....	.....	4-7a	4-2
<b>L</b>			
List of Effective Pages .....	.....	.....	A
List of Illustrations .....	.....	.....	i
List of Manufacturers .....	(See Manufacturers)	.....	.....
List of Major Units .....	(See Major Units)	.....	.....
List of Parts .....	7-4	.....	7-3
List of Tables .....	.....	.....	iii
Localization, Theory of .....	.....	6-1	6-1
Lubrication .....	.....	5-3	5-0
<b>M</b>			
Manufacturers, List of .....	7-6	.....	7-29
Major Units, List of .....	7-2	1-1d	1-1
Measuring Receiver Gain per Stage .....	.....	4-16b(5)	4-10
Method for Calibrating the RF Signal Generator Set AN/URM-25D of Frequencies Below 100 Kilo- cycles .....	6-12	6-17a(4)	6-6
Methods for Correctly Terminating the Signal Generator at J102 .....	4-1, 4-2	4-9	4-2
Modulated Operation .....	.....	4-16c	4-10
Modulation			
External .....	.....	2-4, 4-8	4-2
Internal .....	.....	2-3, 4-7	4-2
Modulation Metering .....	2-6	2-3d	2-5
<b>O</b>			
Operation, Principles of .....	.....	1-1	1-1
Operation, Summary of .....	.....	4-15	4-7
Operational Summary of Front Panel Controls .....	4-3	.....	4-9
Oscillator Bracket Assembly .....	.....	6-10	6-3
Oscillator Compartment			
Rear View .....	6-10	.....	6-10
Output Amplifier			
Analysis of .....	2-4	2-2d	2-3
<b>P</b>			
Parts List .....	7-4	.....	7-3
Parts List, Cross Reference .....	7-5	.....	7-28
Parts, Removal and Replacement of .....	.....	6-9	6-3
Percentage Modulation Calibration .....	.....	6-18d	6-8
Power Circuit Operation .....	.....	4-2	4-1
Power Supply PP-977/URM-25D			
Analysis of .....	.....	2-10	2-10
Description .....	.....	1-2r	1-3

SUBJECT	FIGURE OR TABLE	PARAGRAPH	PAGE
<b>Power Supply PP-977/URM-25D — (Continued)</b>			
Outside Cabinet .....	6-4	.....	6-4
Rear Bottom .....	6-3	.....	6-2
Top and Bottom Views .....	6-2	.....	6-2
View for Removal .....	6-3	.....	6-2
Principle Circuits .....	.....	2-1c	2-1
<b>R</b>			
Rated Tube Characteristics .....	6-6	.....	6-29
Readjustment of Frequency Calibration .....	6-12	6-16	6-4
Receiver Alignment .....	.....	4-16b(6)	4-10
Receiver Alignment above 50 Megacycles .....	.....	4-16b(7)	4-10
Receiver Output .....	.....	4-16d	4-10
Receiver Overall Sensitivity .....	.....	4-16e	4-10
Receiver Tests .....	.....	4-16b	4-7
Reference Data .....	(See Data, Reference)		
References for Correctly Terminating the Generator at J102 .....	4-1	.....	4-4
Removal and Replacement of Parts .....	.....	6-9	6-3
Removal of Audio Compartment Assembly .....	(See Audio Compartment Assembly)		
Removal of Oscillator Bracket Assembly .....	(See Oscillator Bracket Assembly)		
Removal of Step Attenuator .....	(See Attenuator, Step)		
Removing the Signal Generator and Power Supply from the Cabinet .....	.....	6-8	6-1
Replacing Buffer and Amplifier Circuit Components .....	.....	6-15	6-4
Replacing RF Oscillator Circuit Components .....	.....	6-14	6-3
RF Attenuator controls .....	.....	1-2k	1-2
RF Connectors and Cable Assemblies .....	6-26	.....	6-27
RF Output Voltage Calibration .....	.....	6-18c	6-8
RF Signal Generator Set AN/URM-25D			
Complete Equipment .....	1-1	.....	1-0
Functional Block Diagram .....	(See Diagram)		
Outline Dimension Drawing .....	3-2	.....	3-0
Unpacking Procedure .....	3-1	.....	3-0
Simplified Procedure for Operating .....	.....	4-15	4-7
RF Signal Generator SG-85/URM-25D			
Outside Cabinet .....	6-4	.....	6-4
Bottom View .....	6-13	.....	6-11
Front View .....	6-2	.....	6-2
Top View .....	6-18	.....	6-22
Routine Maintenance Check Chart .....	(See Chart, Check)		
<b>S</b>			
Selectivity Test .....	.....	4-16b(3)	4-8
Sensitivity Test .....	.....	4-16b(2)	4-8
Setting Carrier Frequency .....	.....	4-4	4-1
Setting the Meter Zero .....	.....	4-3	4-1
Shipping Data .....	(See Data, Shipping)		
Shipping Weights and Dimensions of Spare Parts Boxes .....	7-2	.....	7-1
Signal Channel .....	.....	2-2a	2-2
Signal Generator SG-85/URM-25D			
Front View for Removal .....	6-2	.....	6-2
Rear View .....	6-3	.....	6-2
Signal Output Circuit .....	2-4, 2-8	2-2f	2-4
Spare Parts .....	(See Parts List)		

SUBJECT	FIGURE OR TABLE	PARAGRAPH	PAGE
Standard Antenna Electrical Constants .....	.....	4-16f	4-11
Standard Levels .....	.....	4-16g	4-11
Step Attenuator .....	(See Attenuator, Step)		
Summary of Operation .....	.....	4-15	4-7
Switching .....	.....	2-4b	2-5
System Trouble Shooting .....	.....	6-3	6-1
<b>T</b>			
Terminating the Signal Generator			
Analysis of .....	.....	2-7	2-9
Operation .....	.....	4-9	4-2
Test Equipment .....	.....	6-2	6-1
Test Lead .....	.....	2-9	2-10
Tests, Receiver .....	.....	4-16b	4-7
Theory of Localization .....	.....	6-1	6-1
Tube Operating Voltages and Currents .....	6-5	6-4	6-1
Tube Socket Electrical Measurements .....	.....	6-5	6-1
Turret Selector Switch .....	6-11	.....	6-10
<b>U</b>			
Unpacking .....	.....	3-1	3-0
<b>V</b>			
Vacuum Tube Voltmeter .....	2-7	2-2e	2-4
Variable RF Attenuator			
Analysis of .....	2-8	2-6	2-7
Use of .....	.....	4-12	4-6
Views of Units .....	6-7	.....	6-1
Voltmeter			
As Output Meter .....	.....	4-16b	4-11
Calibration of .....	.....	6-18	6-6
Zero Adjustment .....	.....	6-18b	6-6
<b>W</b>			
Weights and Dimensions of Spare Parts Boxes .....	7-1	.....	7-1
Winding Data .....	6-7	6-6	6-1