

NOTES:

1. UNLESS OTHERWISE INDICATED, ALL RESISTANCE VALUES ARE IN OHMS, ALL CAPACITANCE VALUES IN UUF, ALL INDUCTANCE VALUES ARE IN UH.
2. CR1 THRU CR16 ARE ALL IN1492.
3. AMPLIFIER SHIPPED WITH PRIMARIES CONNECTED FOR 115VAC. TO CONNECT FOR 230 VAC, REMOVE JUMPERS ON TBI, TERMINALS 1 TO 2 AND 4 TO 5. MOVE WHITE WIRE OF POWER CORD AND UNGROUNDED LEAD OF C4 TO TERMINAL 2. ADD JUMPERS FROM TERMINALS 1 AND 4 TO 3.
4. BREAK AT POINT X FOR 230VAC, 2 WIRE SYSTEMS.

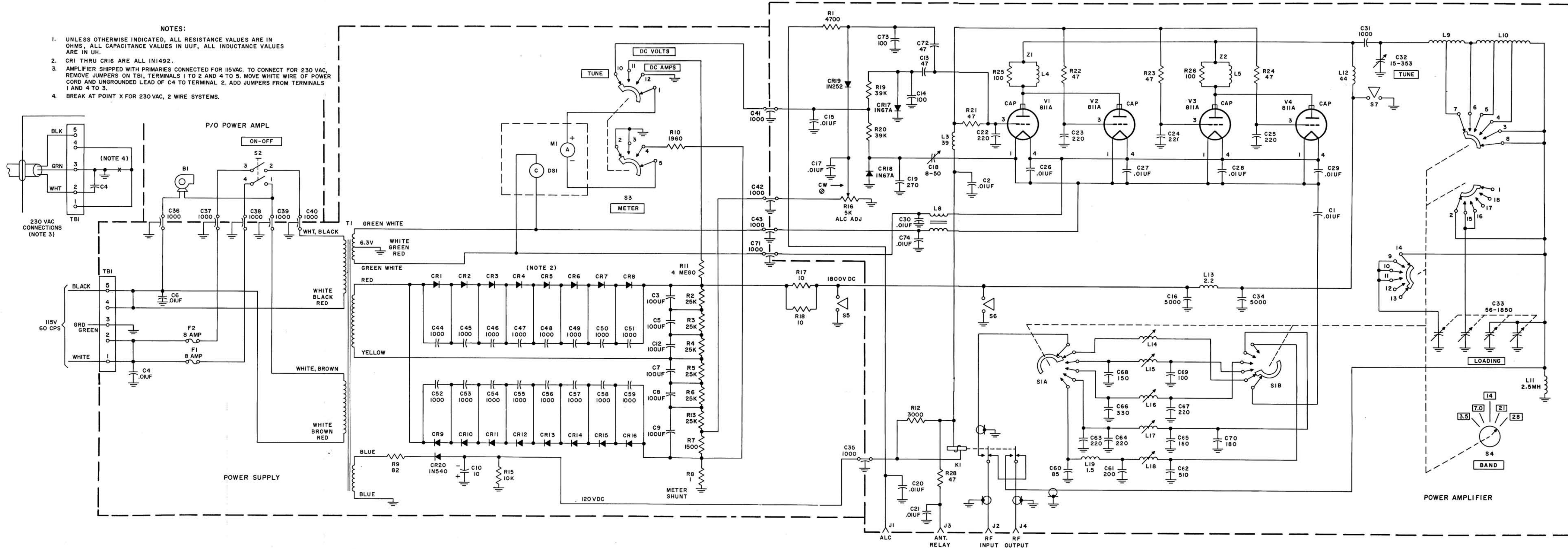


Figure 7-1. 30L-1 Schematic Diagram

**SECTION VII
ILLUSTRATIONS**

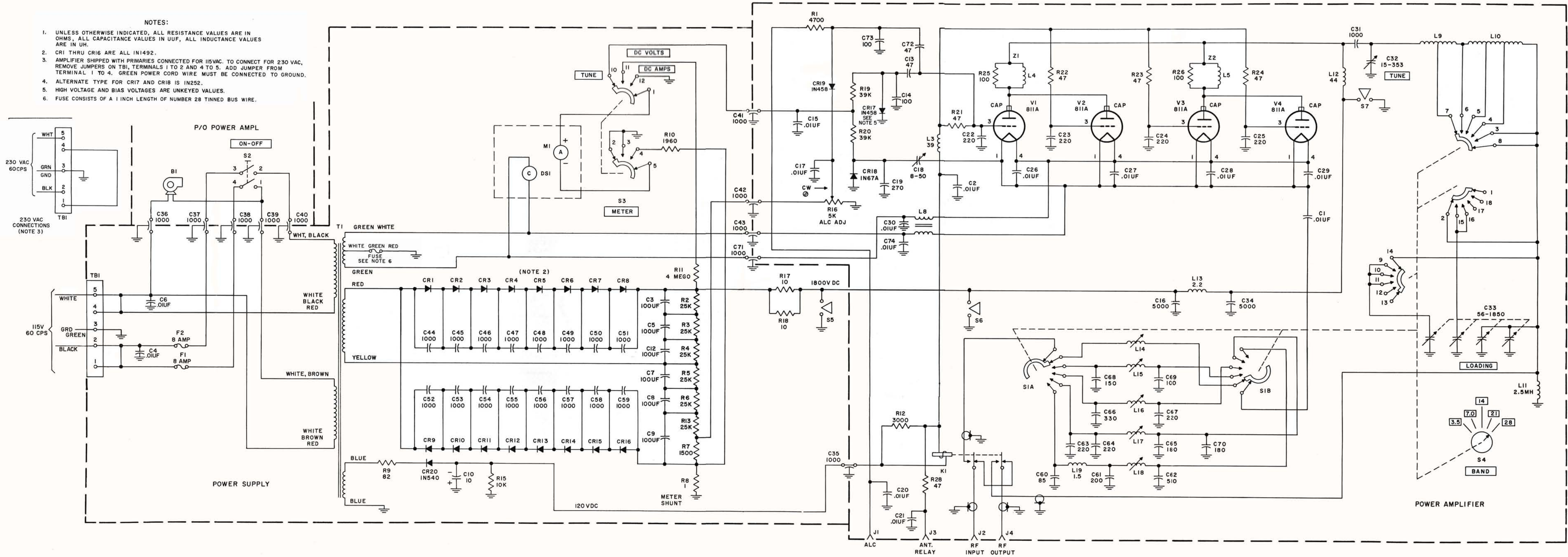


Figure 7-2. 30L-1 Schematic Diagram