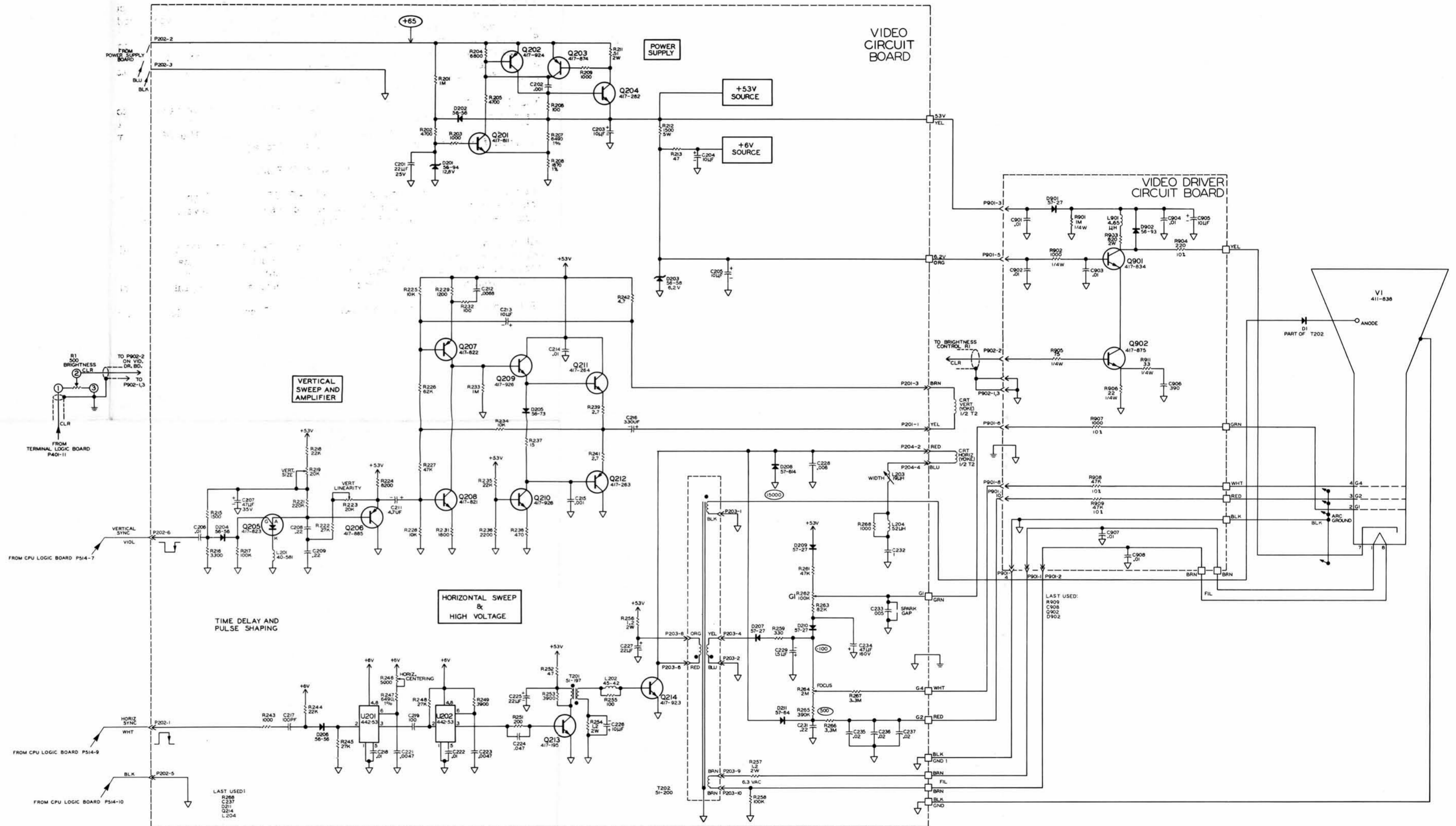


# SCHEMATIC OF THE



## DIGITAL COMPUTER MODEL Z-89/90 (PART ONE OF THREE)

- NOTES:
- COMPONENT NUMBERS ARE IN THE FOLLOWING GROUPS:  
1-99 PARTS MOUNTED ON THE CHASSIS.  
101-199 PARTS MOUNTED ON THE POWER SUPPLY BOARD.  
201-299 PARTS MOUNTED ON THE VIDEO CIRCUIT BOARD.  
301-399 PARTS MOUNTED ON THE KEYBOARD CIRCUIT BOARD.  
401-499 PARTS MOUNTED ON THE TERMINAL LOGIC CIRCUIT BOARD.  
501-599 PARTS MOUNTED ON THE CPU LOGIC CIRCUIT BOARD.
  - RESISTORS MOUNTED ON THE VIDEO CIRCUIT BOARD ARE 1/2-WATT, 5% UNLESS MARKED OTHERWISE. RESISTORS MOUNTED ON THE LOGIC CIRCUIT BOARD ARE 1/4-WATT, 5% UNLESS MARKED OTHERWISE. RESISTOR VALUES ARE IN OHMS (K=1,000; M=1,000,000).
  - ALL CAPACITORS ARE IN  $\mu$ F UNLESS MARKED OTHERWISE.
  - THIS SYMBOL INDICATES CHASSIS GROUND.
  - THIS SYMBOL INDICATES CIRCUIT BOARD GROUND.
  - THIS SYMBOL INDICATES WHERE A WIRE CONNECTS TO A CIRCUIT BOARD.
  - THIS SYMBOL INDICATES A MECHANICAL CONNECTOR.
  - THIS SYMBOL INDICATES A PART THAT IS SHOWN ON A CIRCUIT BOARD, BUT IS ACTUALLY MOUNTED ON THE CHASSIS.
  - THIS SYMBOL INDICATES AN INTERRUPTED LINE. LAY A STRAIGHT EDGE ON THE ARROW TO SEE WHERE IT GOES TO OR COMES FROM.
  - THIS SYMBOL INDICATES A DC VOLTAGE TAKEN WITH A HIGH IMPEDANCE VOLTMETER FROM THE POINT INDICATED TO CHASSIS GROUND. VOLTAGES MAY VARY  $\pm 20\%$ .
  - FUSE F1 IS CRITICAL FOR CONTINUED SAFETY. REPLACE IT ONLY WITH A PART OF THE SAME RATING OR WITH THE PROPER HEATH PART.
  - A "0" IS DESIGNATED ON THE ARROW SIDE OF THE SWITCH; A "1" IS ON THE REMAINING SIDE.

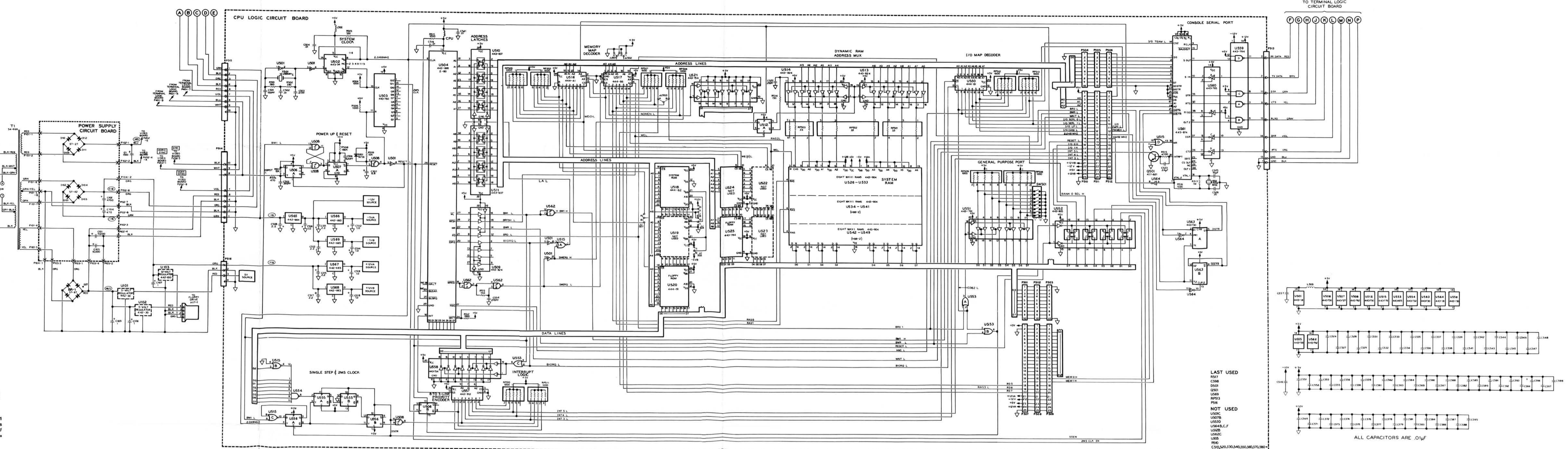


Copyright © 1981  
Zenith Data Systems  
All Rights Reserved  
Printed in the United States of America



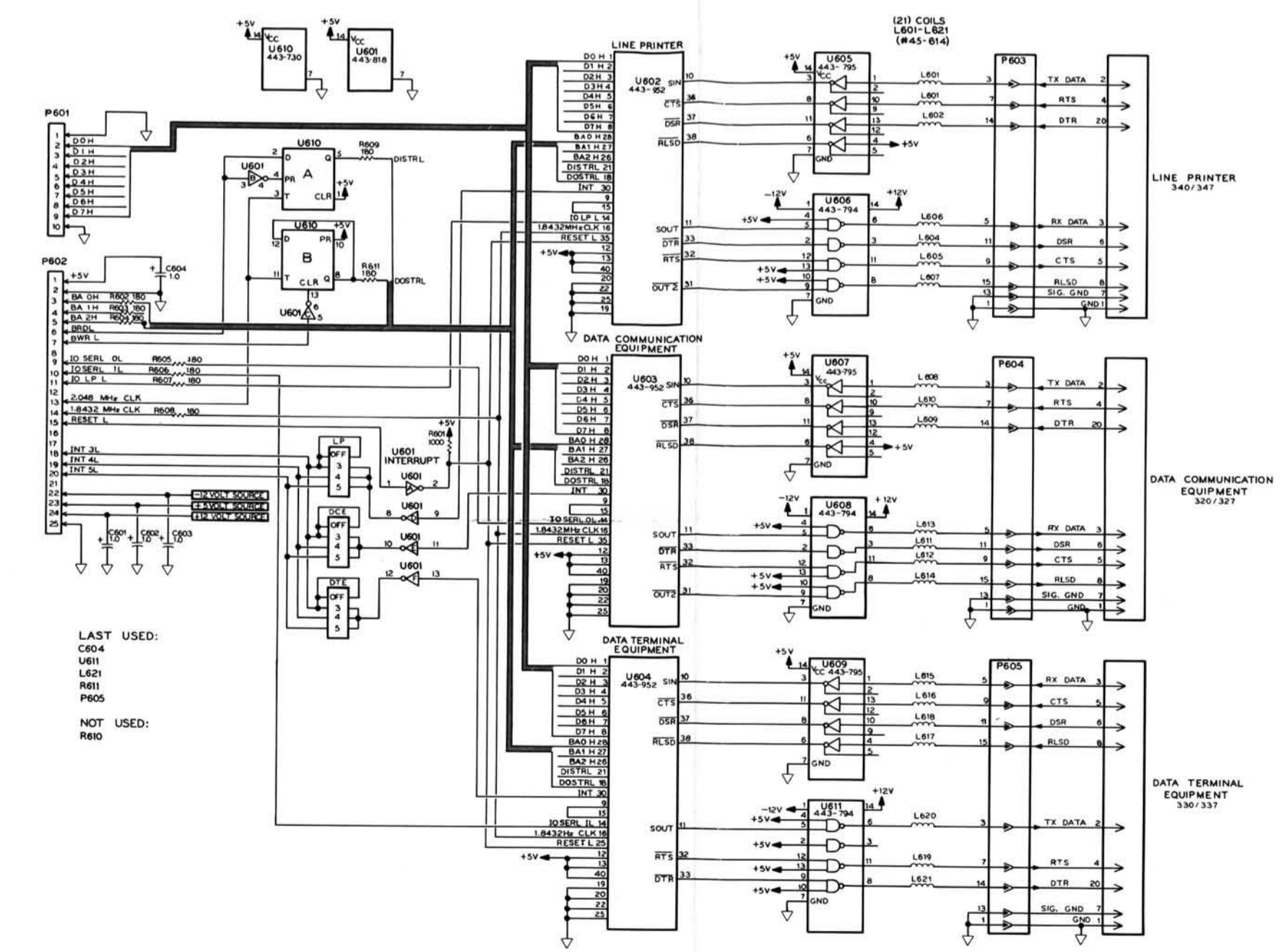
**SCHEMATIC OF THE**  
**ZENITH data systems**  
**DIGITAL COMPUTER**  
**MODEL Z-89/90**  
**(PART THREE OF THREE)**

Copyright © 1981  
 Zenith Data Systems  
 All Rights Reserved  
 Part of 595-2690  
 Printed in the United States of America

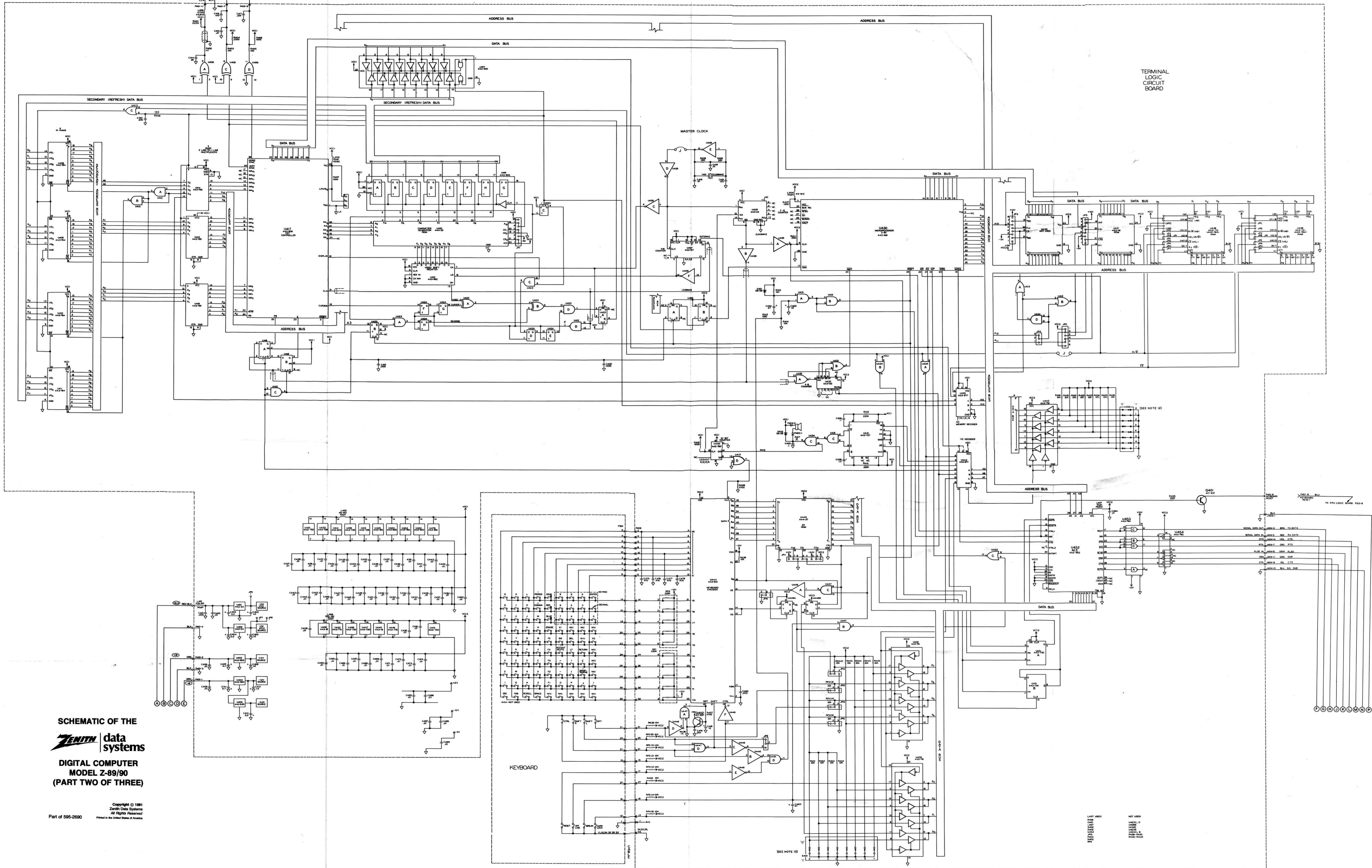


**SCHEMATIC OF THE**  
**ZENITH data systems**  
**SERIAL INTERFACE**

- NOTES:**
1. RESISTOR IS 1/4-WATT, 5%. RESISTOR VALUE IS IN OHMS.
  2. ALL CAPACITORS ARE IN  $\mu$ F.
  3.  $\nabla$  THIS SYMBOL REPRESENTS CIRCUIT BOARD GROUND.







TERMINAL  
LOGIC  
CIRCUIT  
BOARD

**SCHEMATIC OF THE**  
**ZENITH** data systems  
**DIGITAL COMPUTER**  
**MODEL Z-89/90**  
**(PART TWO OF THREE)**

Copyright © 1981  
 Zenith Data Systems  
 All Rights Reserved  
 Part of 595-2690 Printed in the United States of America

NOT USED  
 U48C, D  
 U48E, F  
 U48G, H  
 U48I, J  
 U48K, L  
 U48M, N  
 U48O, P  
 U48Q, R  
 U48S, T  
 U48U, V  
 U48W, X  
 U48Y, Z