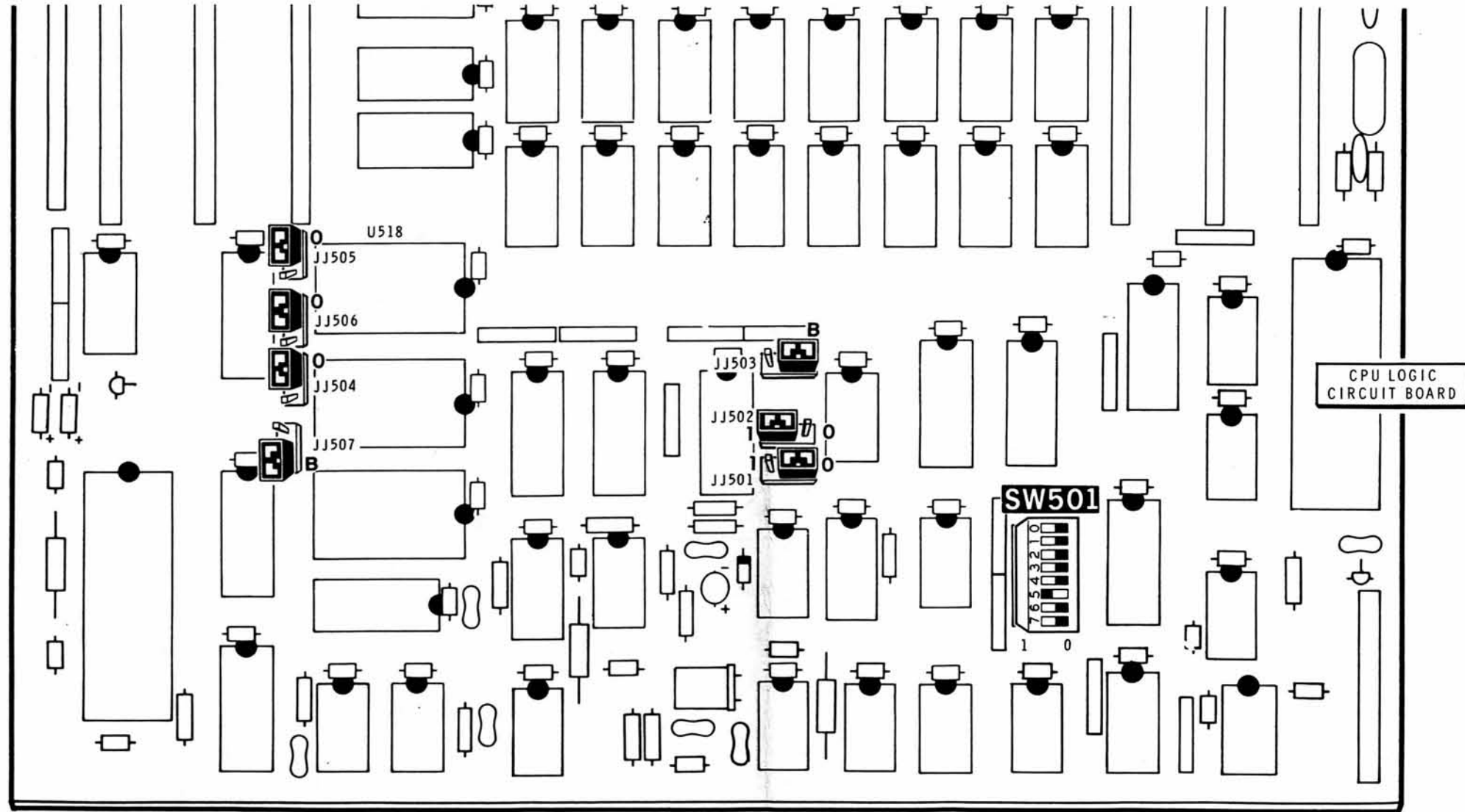
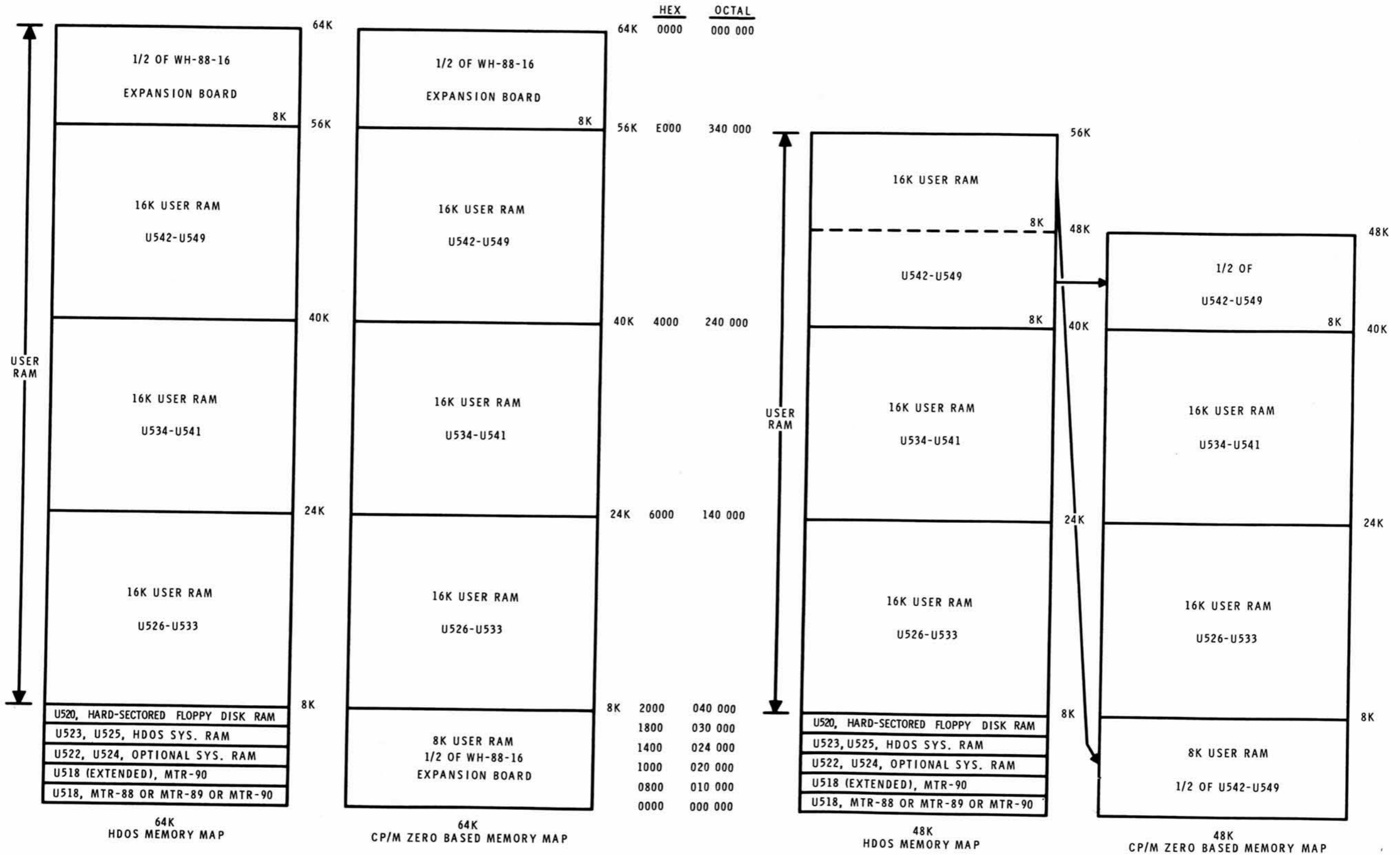


ILLUSTRATION BOOKLET



PICTORIAL 4-2

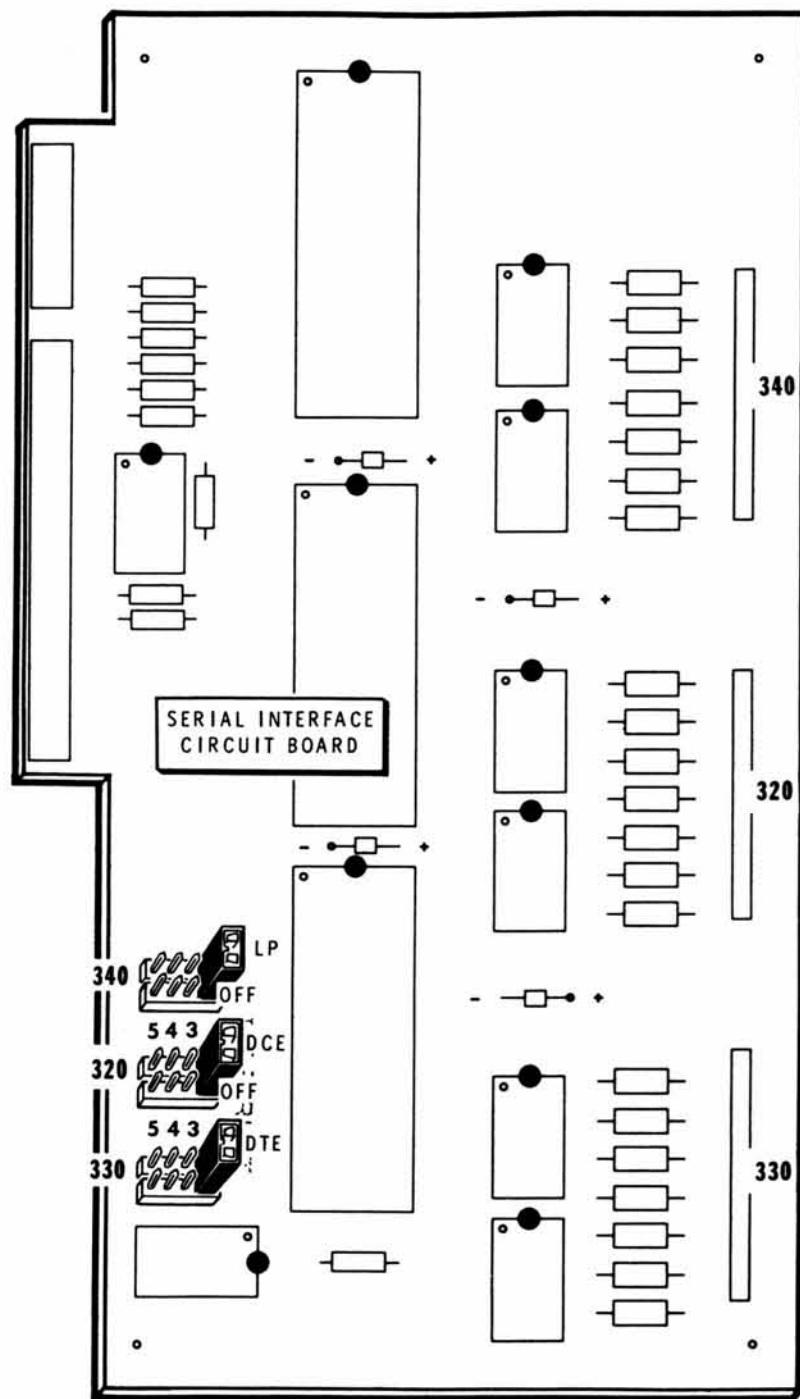


64K
HDOS MEMORY MAP

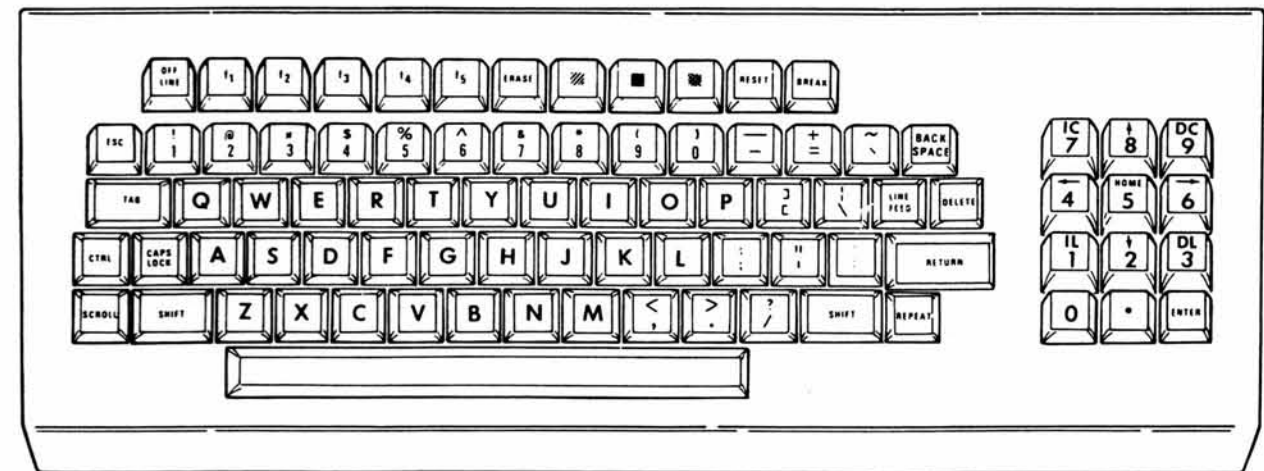
64K
CP/M ZERO BASED MEMORY MAP

48K
HDOS MEMORY MAP

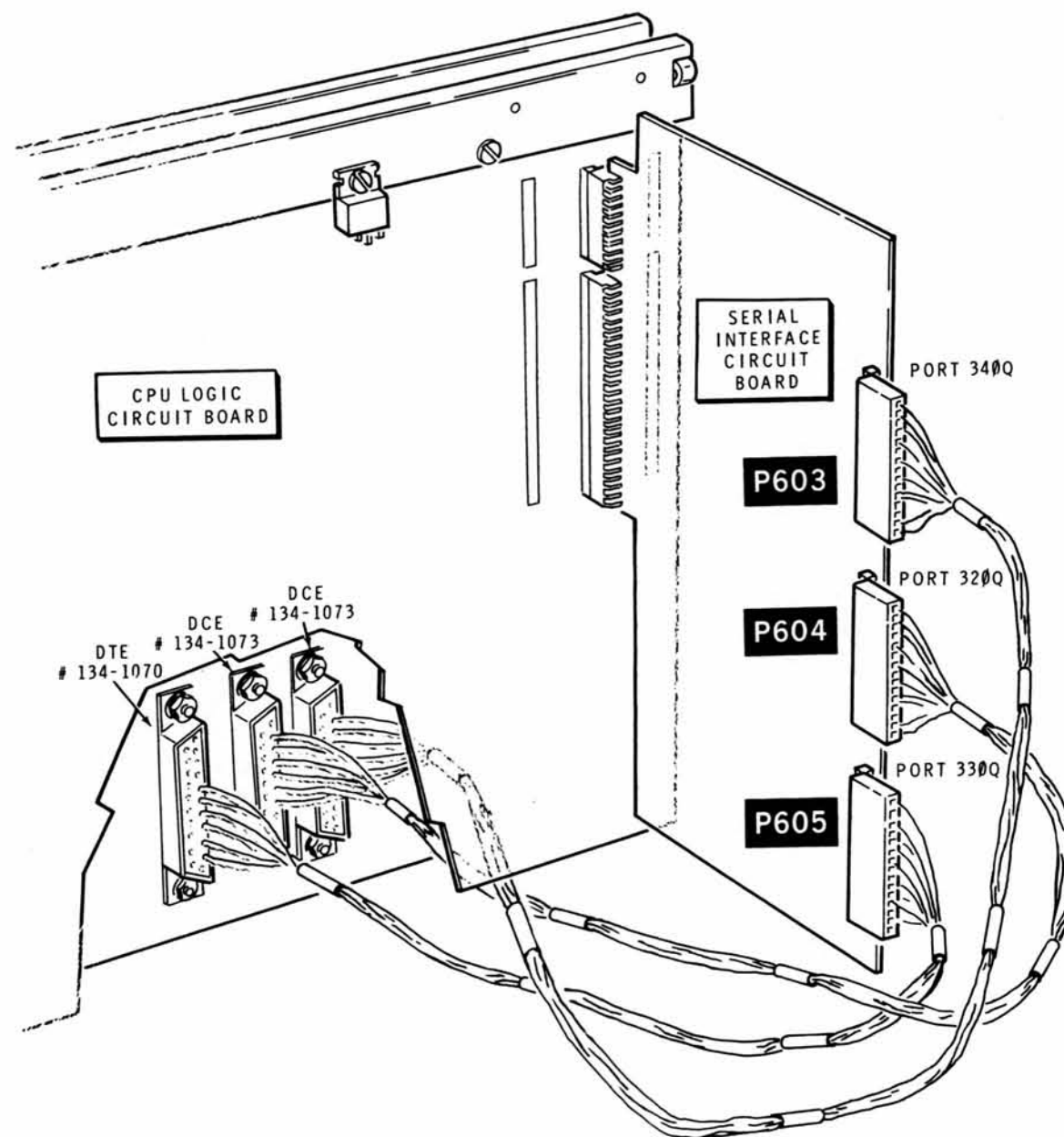
48K
CP/M ZERO BASED MEMORY MAP



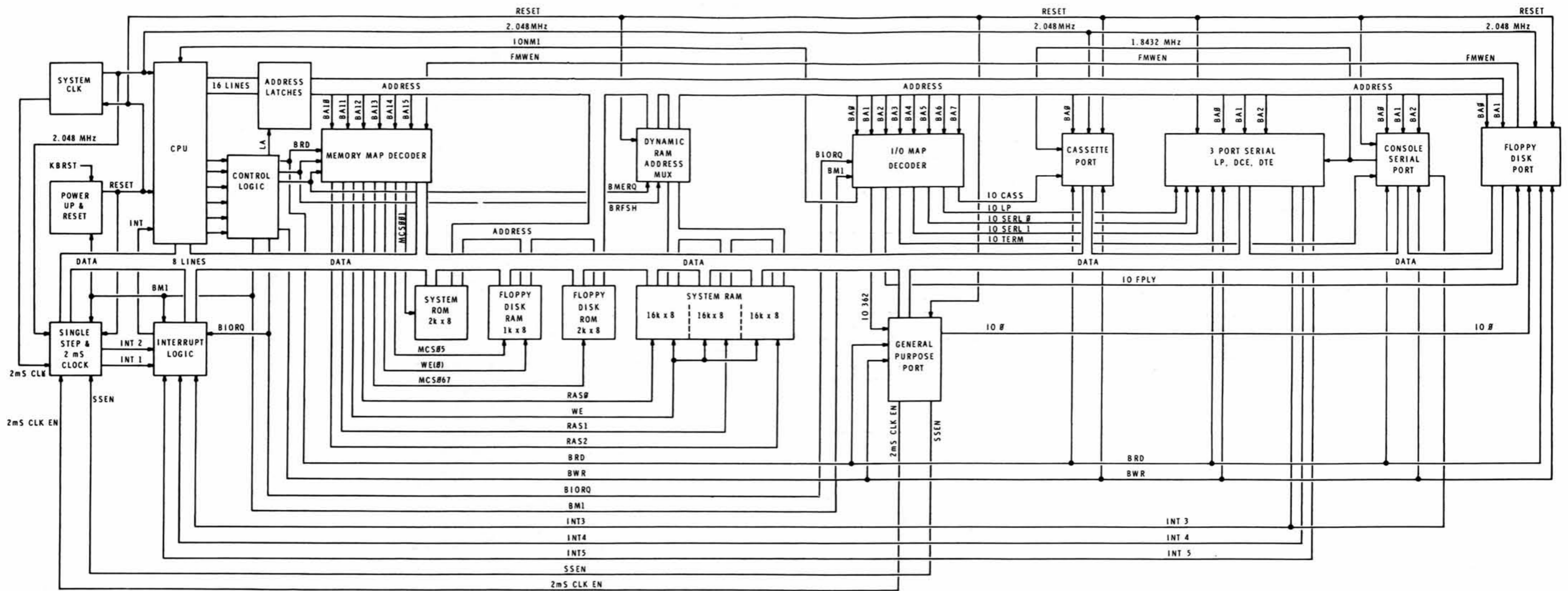
PICTORIAL 4-3



PICTORIAL 5-1

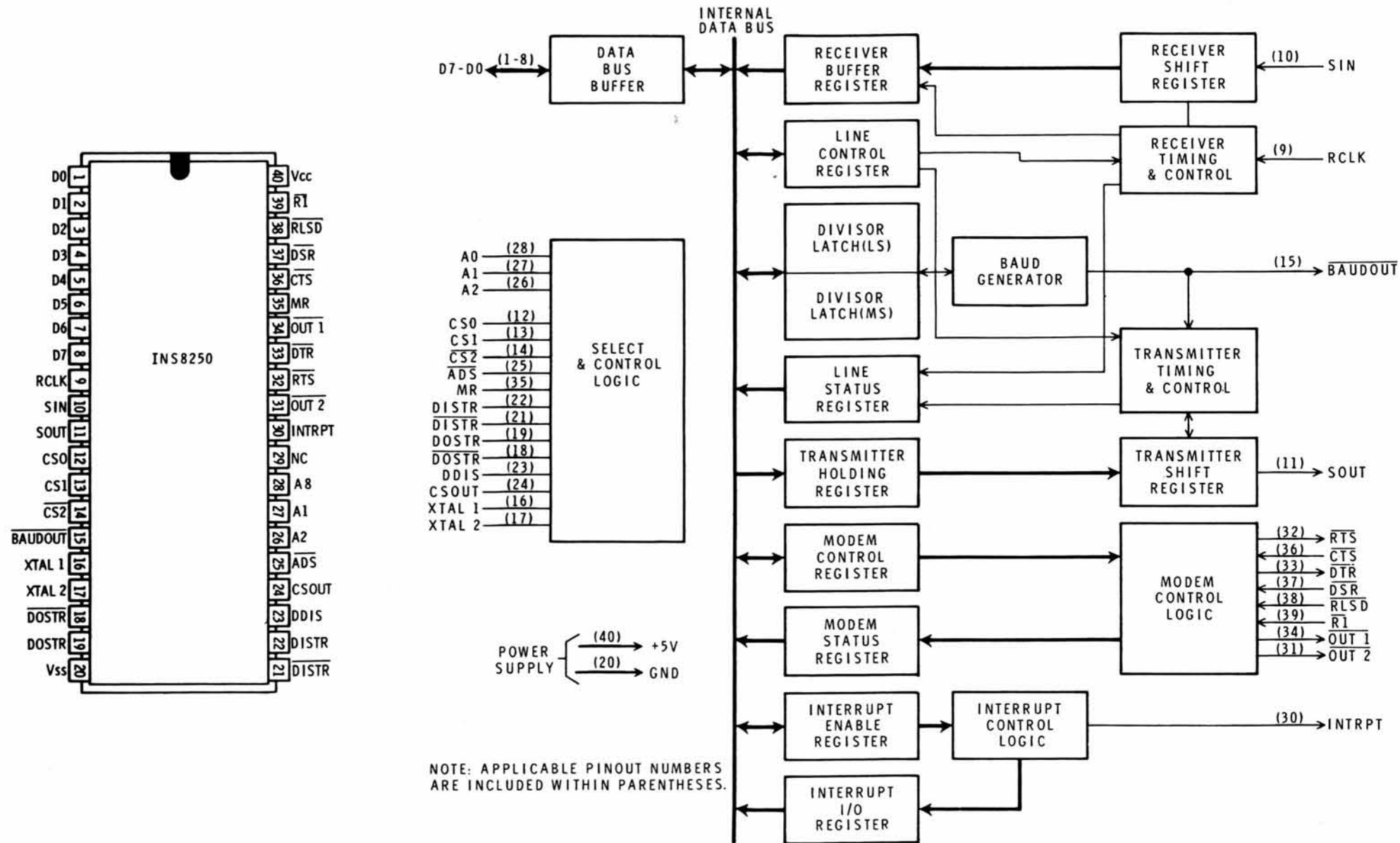


PICTORIAL 5-3



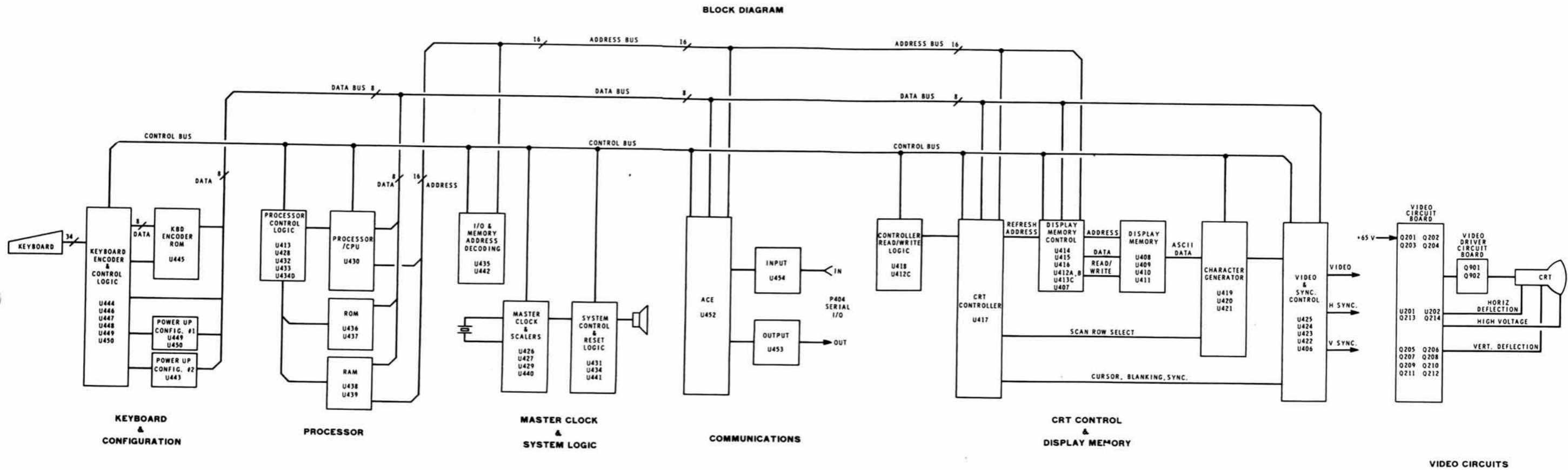
BLOCK DIAGRAM

CPU LOGIC CIRCUIT AND I/O INTERFACE

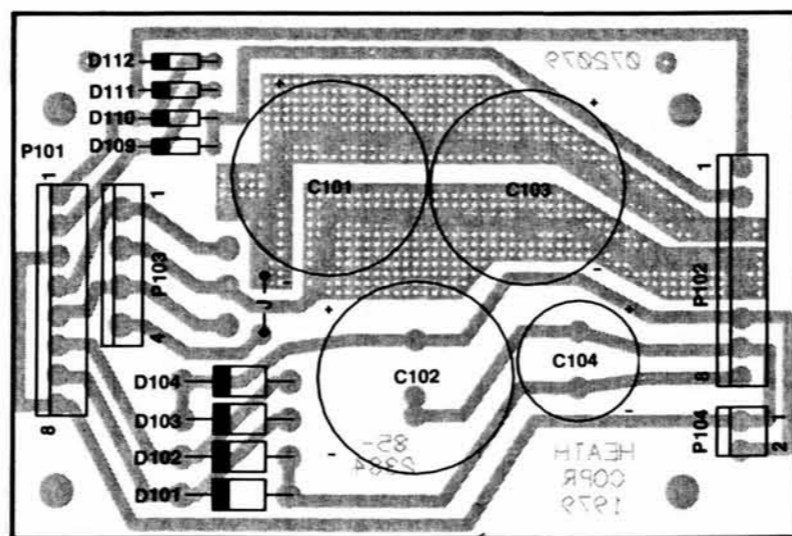


BLOCK DIAGRAM

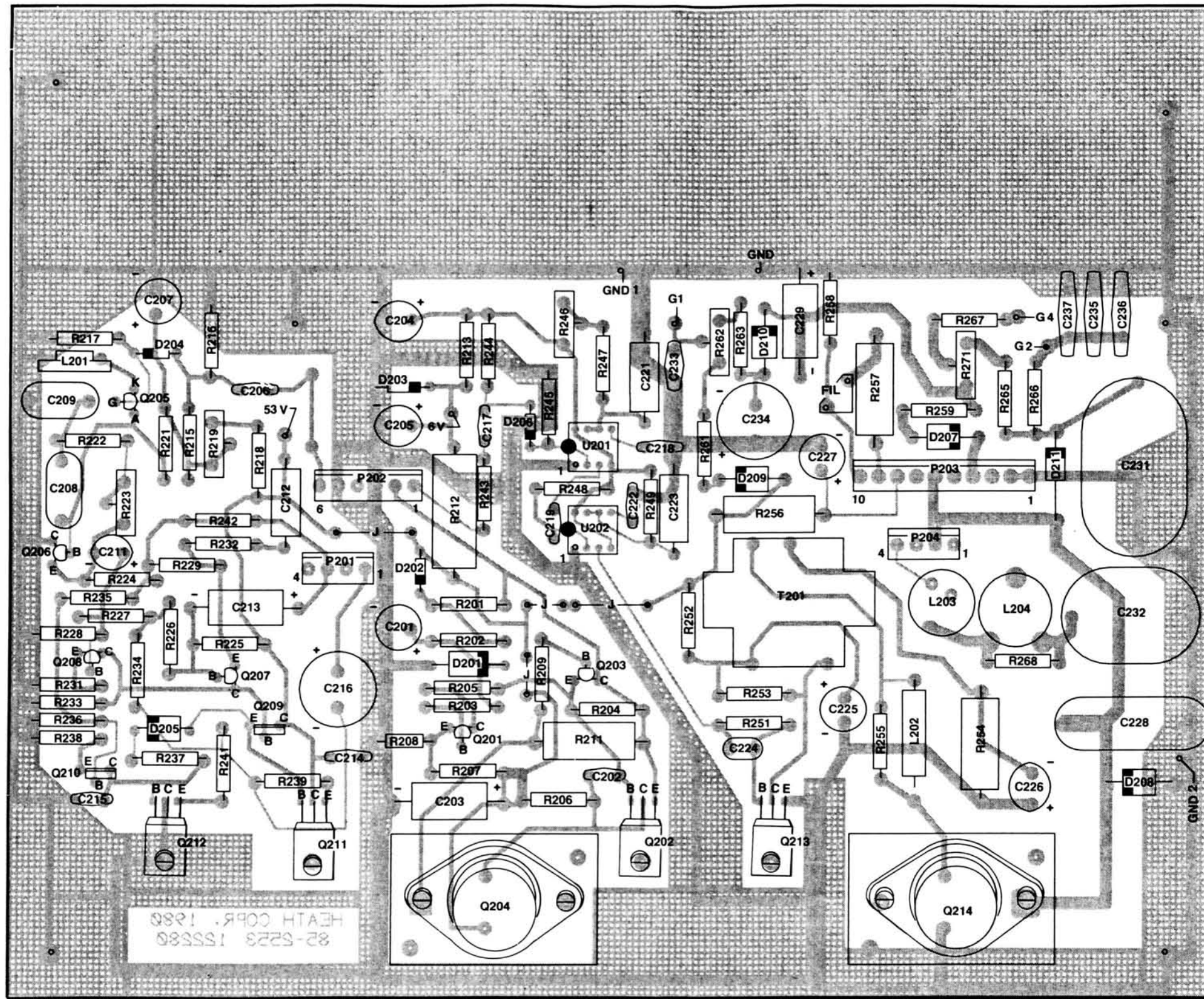
ASYNCHRONOUS COMMUNICATIONS OF THE ELEMENT (ACE)



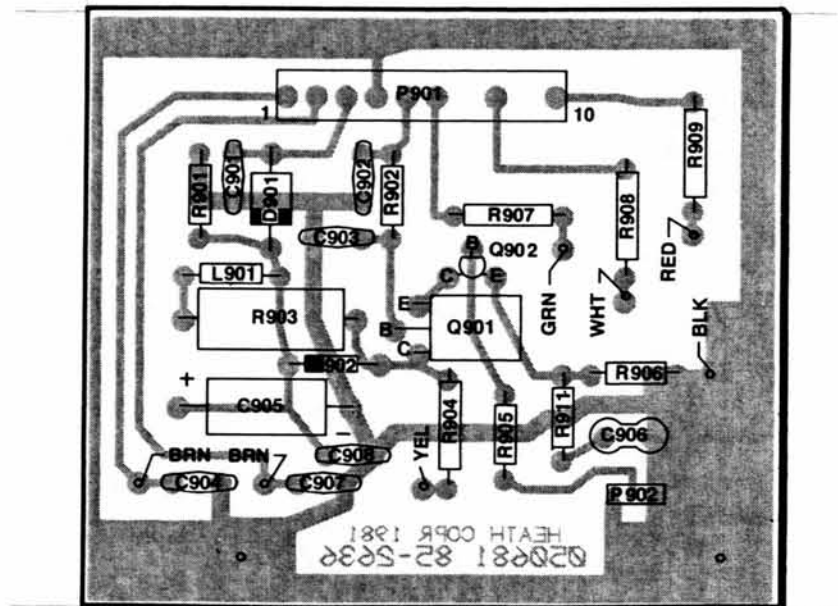
TERMINAL LOGIC AND VIDEO CIRCUITS



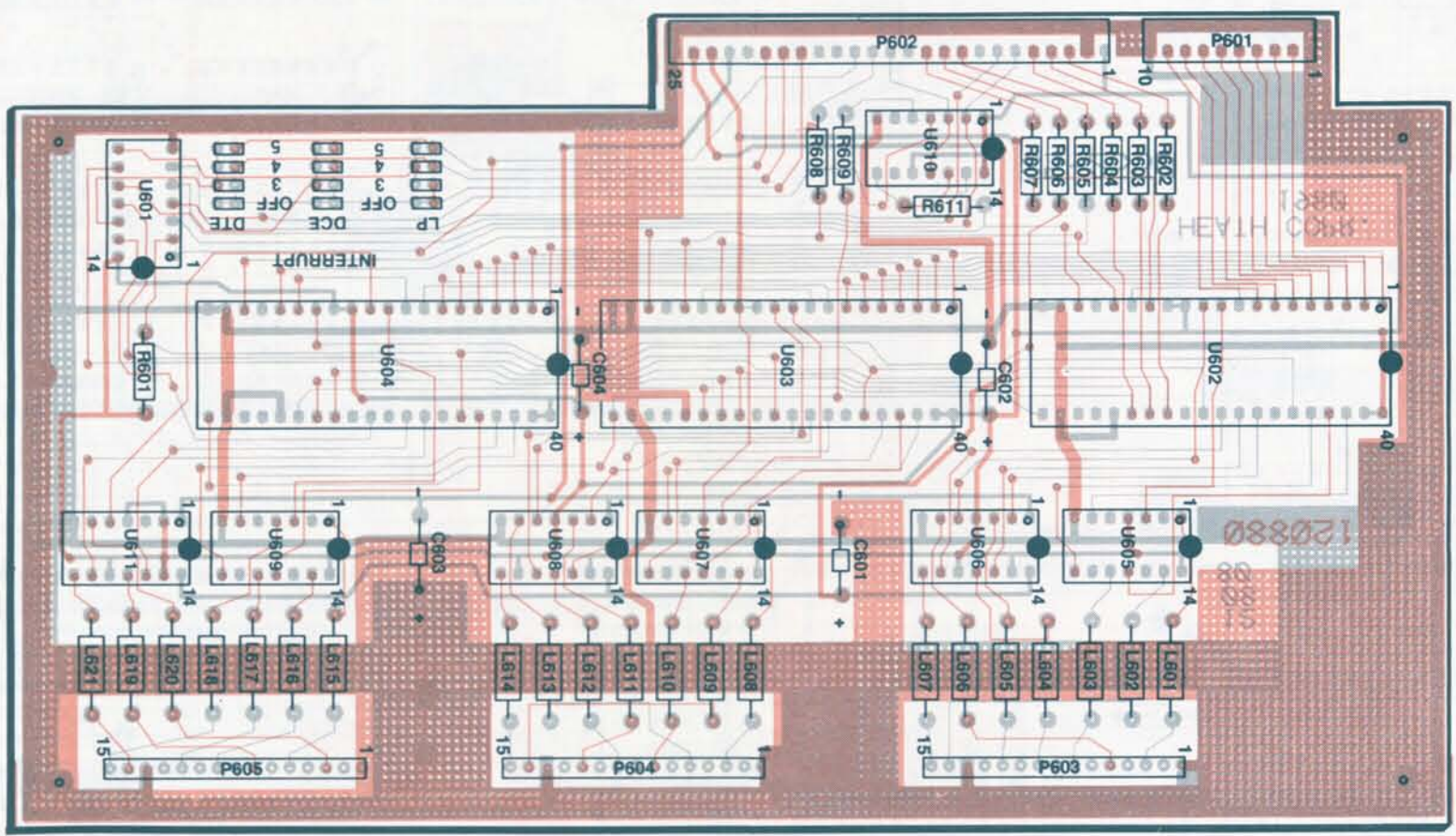
POWER SUPPLY CIRCUIT BOARD
(Shown from component side)



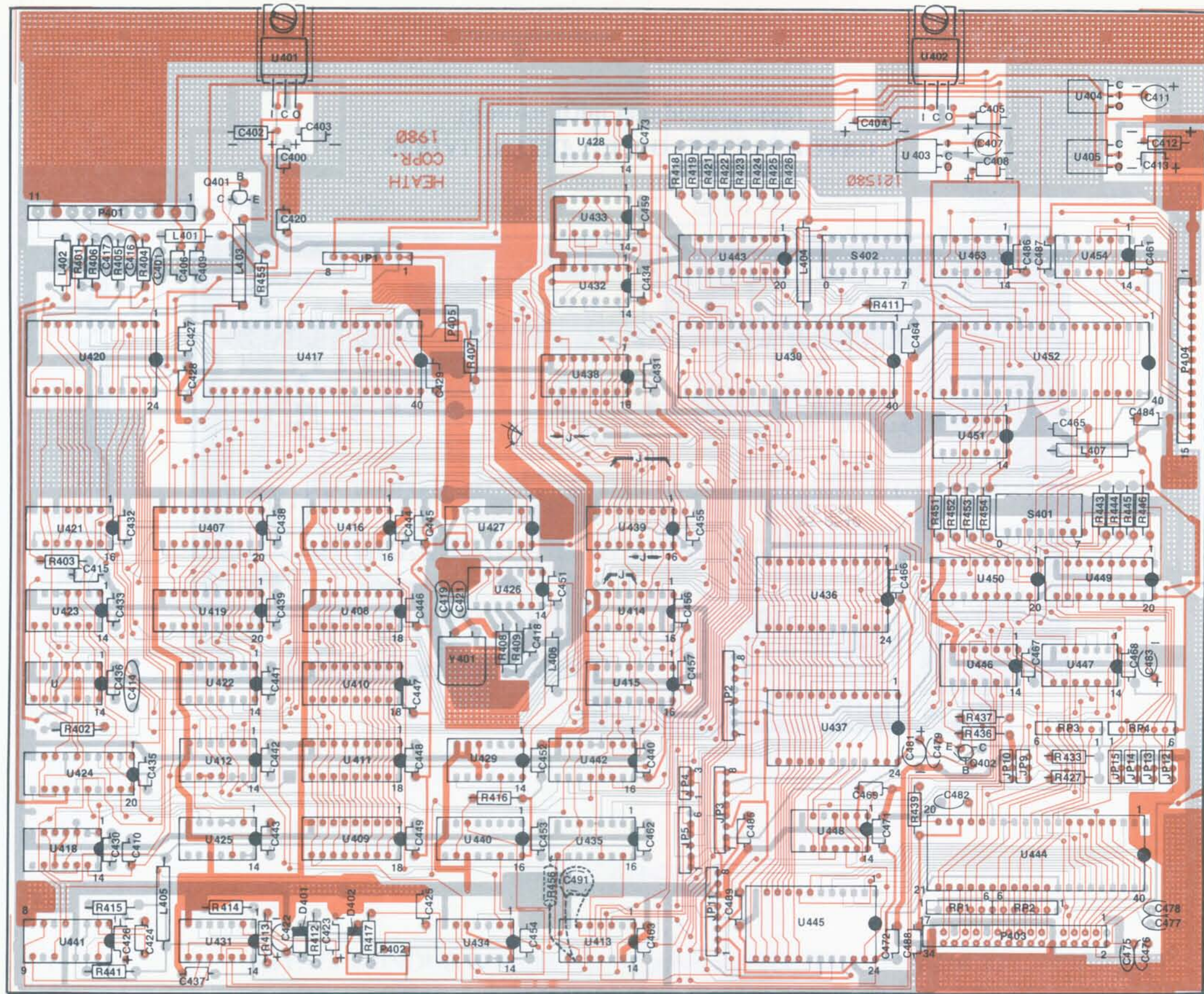
VIDEO CIRCUIT BOARD
 (Shown from component side)



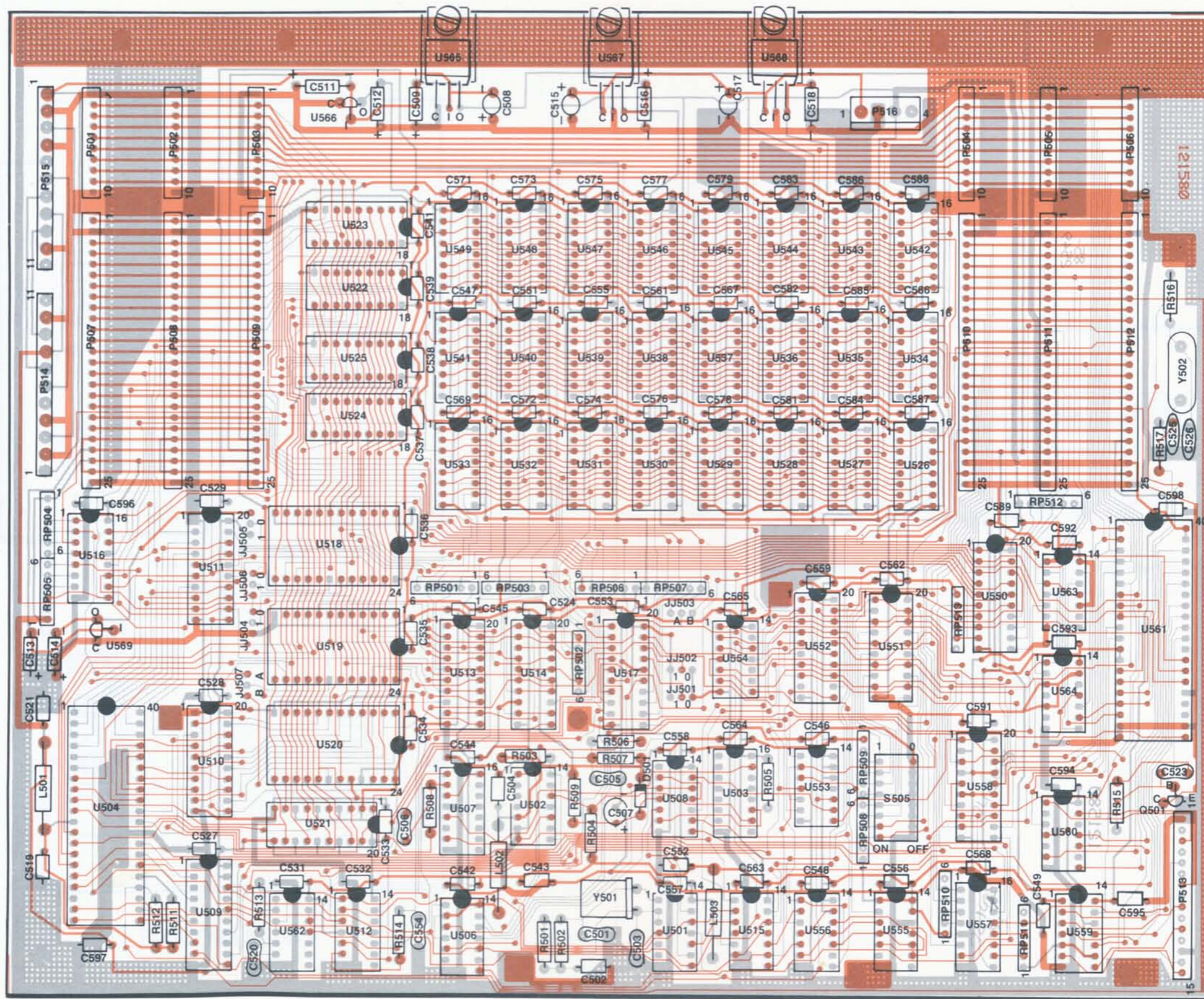
VIDEO DRIVER CIRCUIT BOARD
(Shown from component side)



SERIAL INTERFACE I/O CIRCUIT BOARD
(Shown from component side)



TERMINAL LOGIC CIRCUIT BOARD
(Shown from component side)



CPU LOGIC CIRCUIT BOARD
(Shown from component side)