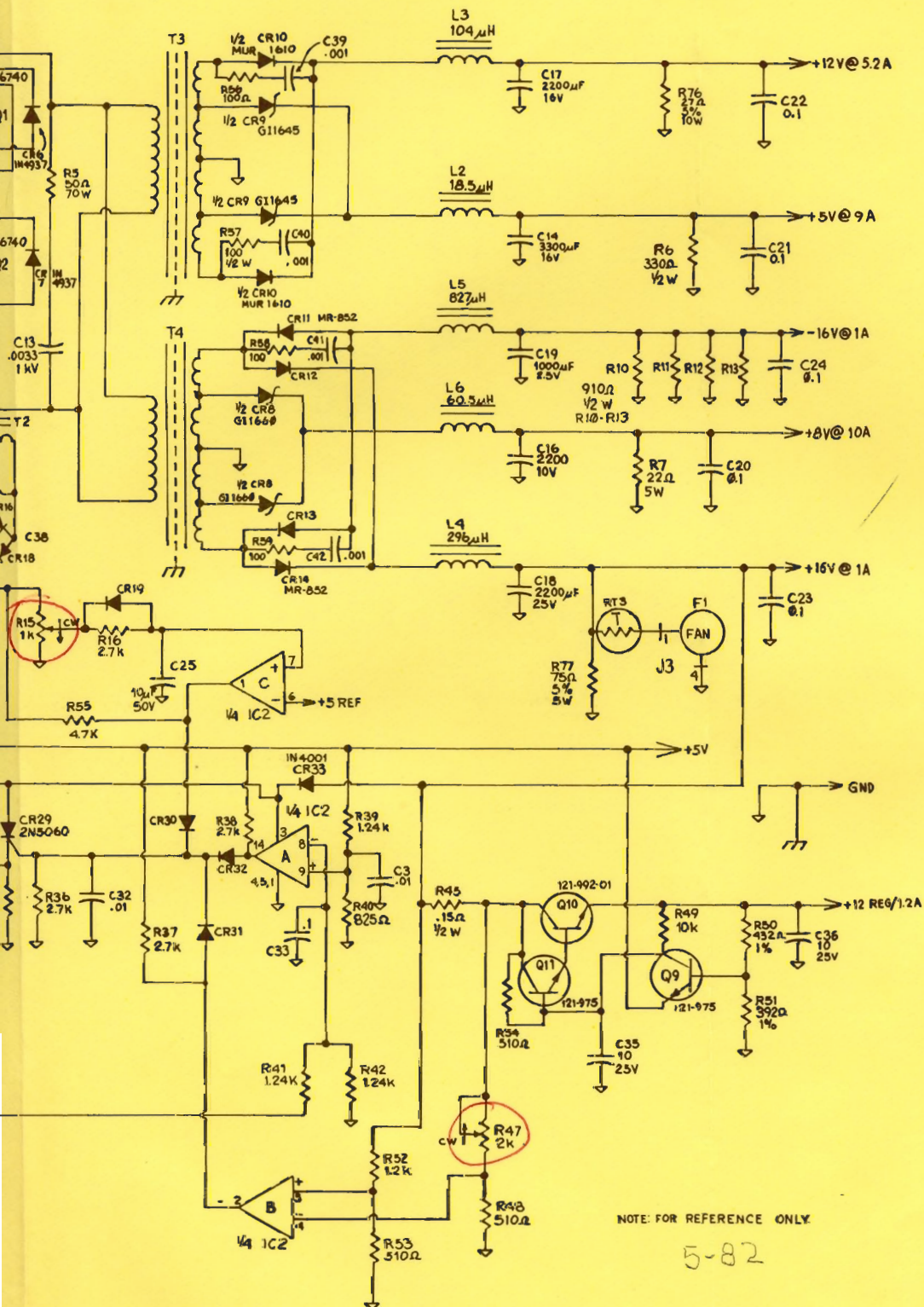


H/Z-100 POWER SUPPLY
HE 234-200



R23 - Adj, all but +12v for video

R15 - Current limiting

R47 - +12v for CRT over cur. Adj.

NOTE: FOR REFERENCE ONLY

5-82