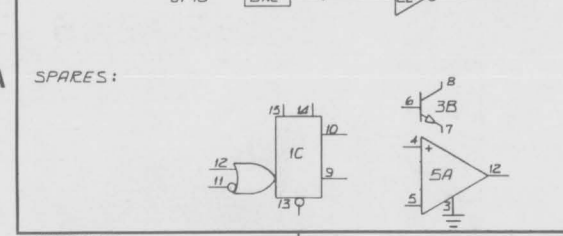
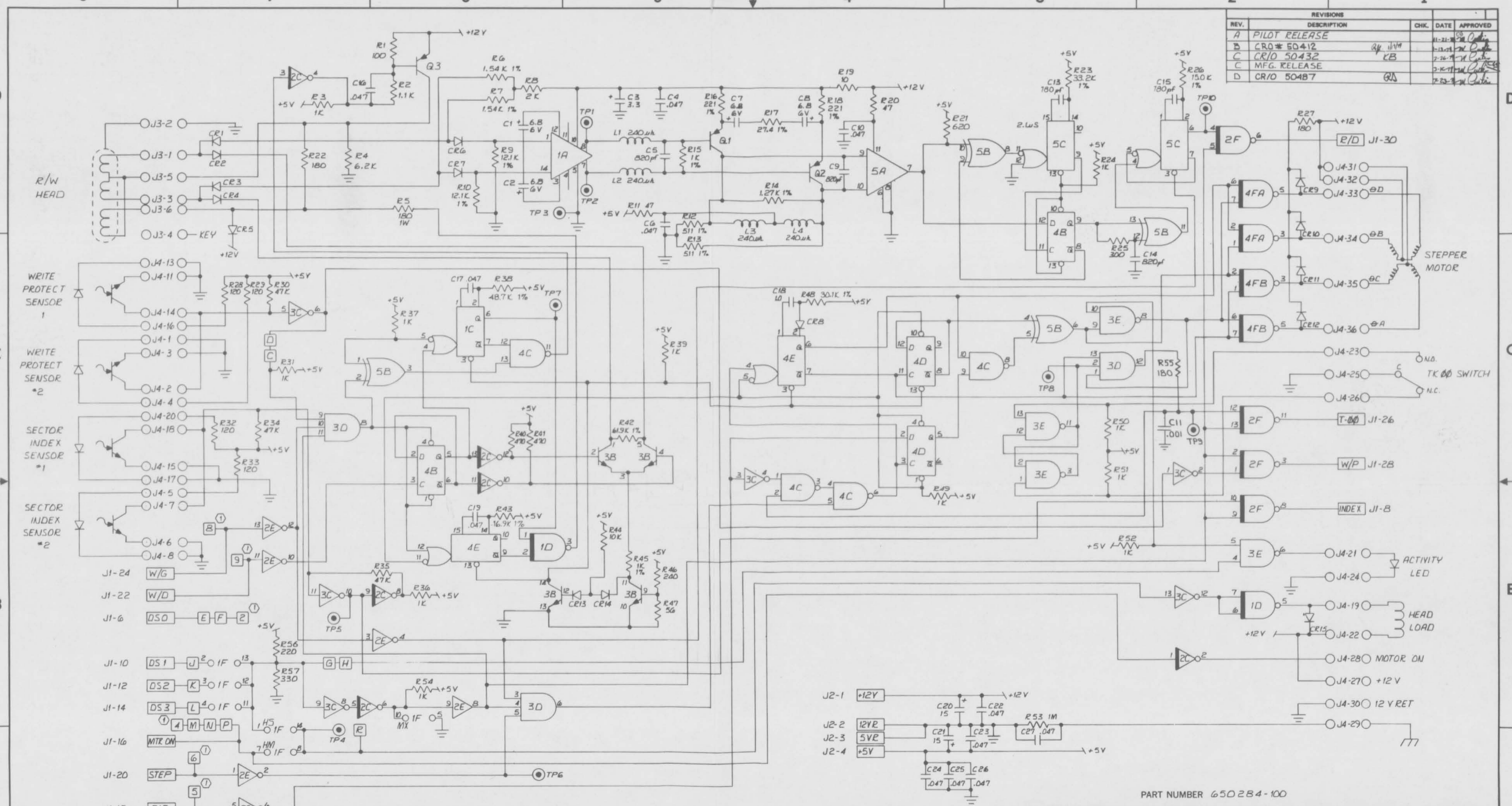


REV.	DESCRIPTION	CHK.	DATE	APPROVED
A	PILDY RELEASE		11-21-78	[Signature]
B	CR/D 50412	BY	11/21/78	[Signature]
C	CR/D 50432	KB	1-16-79	[Signature]
D	MFG. RELEASE		1-22-79	[Signature]
	CR/D 50487	QA	7-23-79	[Signature]



9. INDICATES OPEN COLLECTOR
 B. INDICATES POWER INTERCONNECTION
 7. INDICATES INTERNAL CONNECTOR
 6. INDICATES INTERFACE CONNECTOR
 5. INDICATES JUMPER OPTION PADS
 4. ALL CAPACITORS ARE IN MICROFARADS
 3. ALL RESISTORS ARE IN OHMS, μ W, 5%
 2. TIMING VALUES INDICATED ARE NOMINAL
 1. TYPICAL TERMINATION WHEN PART NO 618417-001 IS INSTALLED IN LOCATION 1E
- NOTES: UNLESS OTHERWISE SPECIFIED

LOCATION	IC DESIGNATIONS	REFERENCE DESIGNATIONS
1A	74LS73	LAST USED
5A	LM319	R57
3B	CA30286	C27
4B, 4D	74LS74	L4
5B	74LS86	CR15
1C, 5C, 4E	5602	Q3
2C	74LS05	TP10

NOTES UNLESS SPECIFIED	DRAWN	DATE
1. TOLERANCES XX± — ANGULAR — XXX± — ±	K. Duxand	10-16-78
2. BREAK ALL SHARP EDGES APPROX. .010	CHECK	
3. MACH. SURFACES	APPR.	
4. ALL DIMS IN INCHES.	MATERIAL	
5. DIMENSIONS APPLY AFTER FINISH AND HEAT TREAT	FINISH	
	MODEL No.	FDD 100-5B
	NEXT ASSY	

PART NUMBER 650284-100

SIEMENS CORPORATION

THIS DRAWING CONTAINS PROPRIETARY INFORMATION AND MAY NOT BE REPRODUCED OR DISCLOSED OR USED FOR MANUFACTURE OF ANY PART DISCLOSED HEREIN WITHOUT THE PRIOR WRITTEN PERMISSION.

SCHMATIC DIAGRAM
MODEL 100-5B

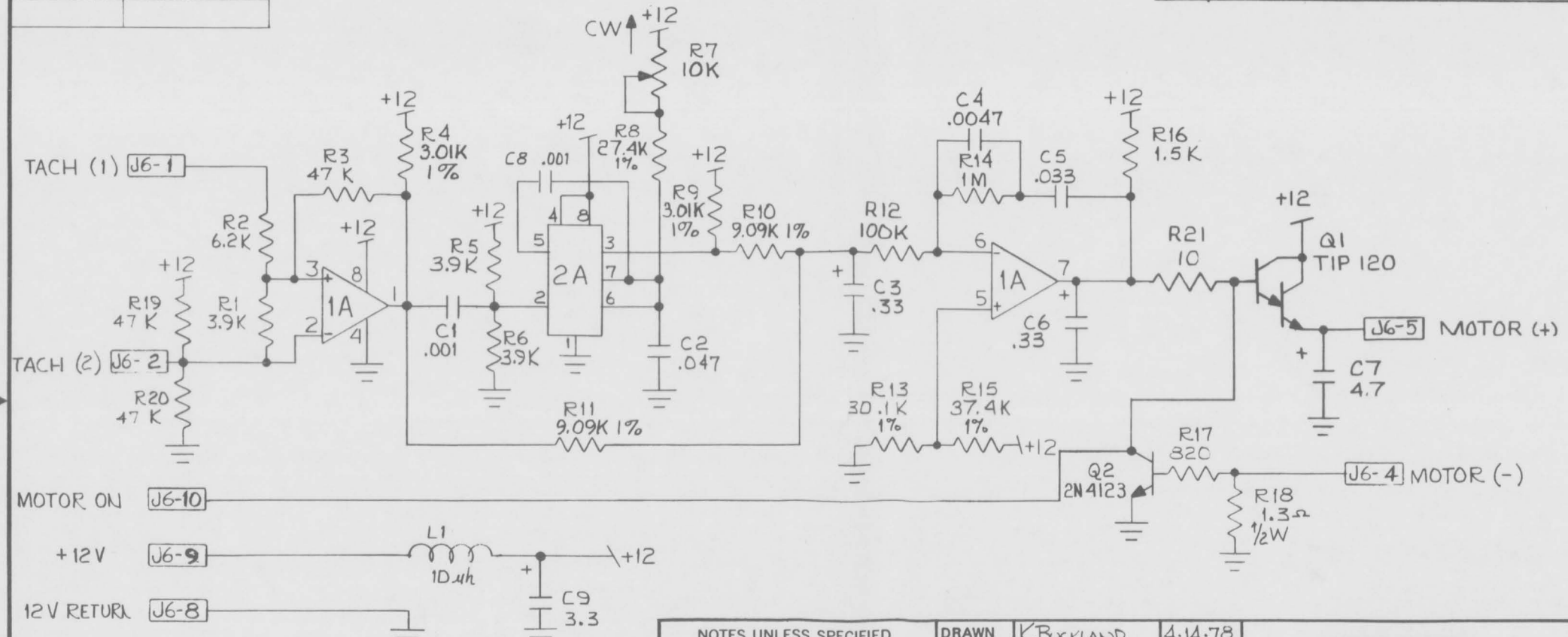
SCALE: D 650284-100

CODE: FD 108
REV. D

DO NOT SCALE THIS DRAWING
CODE IDENT: 52465
SHEET 1 OF 1

REF. DESIGNATIONS		IC DESIGNATIONS	
LAST USED	NOT USED	LOCATION	TYPE
R21		1A	LM393
C9		2A	NE555
L1			
Q2			

REVISIONS				
REV.	DESCRIPTION	CHK.	DATE	APPROVED
A	PILOT RELEASE		11-16-78	<i>[Signature]</i>
A	MFG. RELEASE		3-16-79	<i>[Signature]</i>
B	CR/O 50462		5/23/79	<i>[Signature]</i>
C	CR/O 50474		7/5/79	<i>[Signature]</i>



3. R21 IS NOT REQUIRED WITH PCB'S, REVS A AND B.
 2. ALL CAPACITORS IN MICROFARADS
 1. ALL RESISTORS IN OHMS, 1/4W, 5%
 NOTES: UNLESS OTHERWISE SPECIFIED

NOTES UNLESS SPECIFIED	DRAWN	DATE
1. TOLERANCES .XX± ANGULAR .XXX± ±	K. Buckland	4.14.78
2. BREAK ALL SHARP EDGES APPROX. .010	CHECK	
3. MACH. SURFACES ✓	APPR.	
4. ALL DIMS IN INCHES.	MATERIAL	
5. DIMENSIONS APPLY AFTER FINISH AND HEAT TREAT	FINISH	
	MODEL No.	
	FDD 100-5B/200-5N	
	NEXT ASSY	

SIEMENS CORPORATION			
SCHEMATIC DIAGRAM MOTOR DRIVE PWB			CODE FD 108
SCALE	SIZE	QTY. REQ'D.	
	B	630322-100	C
DO NOT SCALE THIS DRAWING	WEIGHT	SHEET 1 OF 1	