

The Engineering Staff of  
TEXAS INSTRUMENTS INCORPORATED  
Semiconductor Group



The  
TTL  
Data Book  
for  
Design Engineers

Second Edition

TEXAS INSTRUMENTS  
INCORPORATED

INDEXES Alphanumeric • Functional/Selection Guide	1
INTERCHANGEABILITY GUIDE	2
GENERAL INFORMATION	3
ORDERING INSTRUCTIONS AND MECHANICAL DATA	4
54/74 FAMILIES OF COMPATIBLE TTL CIRCUITS	5
54/74 FAMILY SSI CIRCUITS	6
54/74 FAMILY MSI/LSI CIRCUITS	7
JAN MIL-M-38510 INTEGRATED CIRCUITS	8
38510/MACH IV PROCUREMENT SPECIFICATION	9
IC SOCKETS AND INTERCONNECTION PANELS	10

# TI Worldwide Sales Offices

**ALABAMA:** Huntsville, 500 Wynn Drive, Suite 514, Huntsville, AL 35805, (205) 837-7530.

**ARIZONA:** Phoenix, P.O. Box 35160, 8102 N. 23rd Ave., Suite A, Phoenix, AZ 85069, (602) 249-1313.

**CALIFORNIA:** Costa Mesa, 3186J Airway, Costa Mesa, CA 92626, (714) 940-7311; El Segundo, 831 S. Douglas St., El Segundo, CA 90245, (213) 973-2571; San Diego, 4333 View Ridge Ave., Suite B, San Diego, CA 92123, (714) 278-9600; Sunnyvale, P.O. Box 518, 776 Palomar Ave., Sunnyvale, CA 94086, (408) 732-1840.

**COLORADO:** Denver, 9725 E. Hampden St., Suite 301, Denver, CO 80231, (303) 695-2800.

**CONNECTICUT:** Hamden, 2405 Whitney Ave., Hamden, CT 06518, (203) 269-0074.

**FLORIDA:** Clearwater, 2280 U.S. Hwy 19 N., Suite 232, Clearwater, FL 33515, (813) 796-1928; Ft. Lauderdale, 2765 N.W. 62nd, Suite A, Ft. Lauderdale, FL 33309, (305) 973-8502; Winter Park, 1850 Lee Rd., Suite 115, Winter Park, FL 32789, (305) 644-3535.

**GEORGIA:** Atlanta, 3300 Northeast Expy., Suite 9, Atlanta, GA 30341, (404) 460-3600.

**ILLINOIS:** Arlington Heights, 515 W. Algonquin, Arlington Heights, IL 60005, (312) 640-3000.

**INDIANA:** Ft. Wayne, 2020 Inwood Dr., Ft. Wayne, IN 46805, (219) 424-5174; Indianapolis, 2343 S. Lynhurst, Suite J-400, Indianapolis, IN 46241, (317) 248-8555.

**MARYLAND:** Baltimore 1 Rutherford Pl., 7133 Rutherford Rd., Baltimore, MD 21207, (301) 944-8600.

**MASSACHUSETTS:** Waltham, RTC (Boston Tech Centre) 400-2 Linden Pond Rd., Waltham, MA 02154, (617) 890-6671.

**MICHIGAN:** Southfield, Central Park Plaza, 26211 Central Park Blvd., Suite 215, Southfield, MI 48076, (313) 353-0830.

**MINNESOTA:** Edina, 7625 Parklawn, Edina, MN 55435, (612) 830-1600.

**MISSOURI:** Kansas City, 8080 Ward Pkwy., Kansas City, MO 64114, (816) 523-2500; St. Louis, 2368 Schuertz Rd., St. Louis, MO 63141, (314) 432-3333.

**NEW JERSEY:** Clark, 292 Terminal Ave. West, Clark, NJ 07066, (201) 574-9800.

**NEW MEXICO:** Albuquerque, 5907 Alice N.E., Suite E, Albuquerque, NM 87110, (505) 265-8491.

**NEW YORK:** East Syracuse, 6700 Old Collamer Rd., East Syracuse, NY 13057, (315) 463-9291; Endicott, 112 Nanticoke Ave., P.O. Box 618, Endicott, NY 13760, (607) 754-3900; Melville, 1 Huntington Quadrangle, Suite 3C10, P.O. Box 2936, Melville, NY 11747, (516) 454-6800; Poughkeepsie, 201 South Ave., Poughkeepsie, NY 12601, (914) 473-2900; Rochester, 1210 Jefferson Rd., Rochester, NY 14623, (716) 461-1800.

**NORTH CAROLINA:** Charlotte, 8 Woodlawn Green, Woodlawn R., Charlotte, NC 28210, (704) 527-0930.

**OHIO:** Beachwood, 23408 Commerce Park Rd., Beachwood, OH 44122, (216) 464-6100; Dayton, Kingsley Bldg., 4124 Linden Ave., Dayton, OH 45432, (513) 258-3877.

**OKLAHOMA:** Tulsa, 3105 E. Skelly Dr., Suite 110, Tulsa, OK 74105, (918) 749-9548.

**OREGON:** Beaverton, 10700 S.W. Beaverton Hwy., Suite 565, Beaverton, OR 97005, (503) 643-6759.

**PENNSYLVANIA:** Ft. Washington, 575 Virginia Dr., Ft. Washington, PA 19034, (215) 643-6450.

**TENNESSEE:** Knoxville, 106 Caverton Rd., Apt. 1F, Knoxville, TN 37919, (615) 691-3380; Johnson City, P.O. Drawer 1255, Erwin Hwy., Johnson City, TN 37601, (615) 282-2200.

**TEXAS:** Austin, 12501 Research Bldg., P.O. Box 2909, Austin, TX 78723, (512) 250-7655; Dallas, P.O. Box 225214, Dallas, TX 75265, (214) 995-6531; Houston, 9000 Southwest Frwy., Suite 400, Houston, TX 77036, (713) 778-6592.

**UTAH:** Salt Lake City, 3672 West 2100 South, Salt Lake City UT 84120, (801) 973-6310.

**VIRGINIA:** Arlington, Crystal Square 4, 1745 Jefferson Davis Hwy., Suite 600, Arlington, VA 22202, (703) 553-2200; Midlothian, 13000 711 Sutters Mill Cr., Midlothian, VA 23113, (804) 744-1487; Richmond, 3930 Beulah Rd., Richmond, VA 23234, (804) 275-8148.

**WASHINGTON:** Redmond, 2723 152nd Ave., N.E. Bldg 6, (206) 881-3080, Redmond, WA 98052.

**CANADA:** Ottawa, 436 McClaren St., Ottawa, Canada K2P0M6, (613) 233-1177; Richmond Hill, 280 Centre St. E., Richmond Hill L4C1B1, Ontario, Canada, (416) 884-9181; St. Laurent, Ville St. Laurent Quebec, 9460 Trans Canada Hwy., St. Laurent, Quebec, Canada H4S1R7, (514) 334-3635.

**ARGENTINA:** Texas Instruments Argentina S.A.I.C.F. Km. 25, 5 Ruta Panamericana Don Torcuato, C.C. 2296, 1000-Correo Central, Buenos Aires, Argentina, 748-1141.

**AUSTRALIA:** Texas Instruments Australia Ltd. Unit 1A, 5 Byfield St., P.O. Box 106, North Ryde, N.S.W. 2113, Sydney, Australia, 02-887-1122; 6th floor, 60 Albert Road, South Melbourne, 3004, Victoria, Australia, 699-5788.

**AUSTRIA:** Texas Instruments Ges. m. b. H. Rennweg 17, 1030 Vienna, Austria, 0222-724186.

**BELGIUM:** Texas Instruments S/A: Mercure Centre, Raketstraat, Rue De La Fusée 100, 1130 Brussels, Belgium, 02-7208000.

**BRAZIL:** Texas Instrumentos Electronicos do Brasil Ltda: Rua Padre Pereira De Andrade, 591 Cep-05469 Sao Paulo, Brazil, 011-260-6347.

**DENMARK:** Texas Instruments A/D: Marielundvej 46E, 2730 Herlev, Denmark, 02-917400.

**FINLAND:** Texas Instruments Finland OY: Fressenkatu 6, P.L. 917, 00101 Helsinki 10, Finland, 80-408300.

**FRANCE:** Texas Instruments France: La Bourisdiere, Bat. A, R.N. 186, 92350 Le Plessis Robinson, France, 01-6302343; 31 Quai Rambaud, 69002 Lyon, France, 078-373585-1; Av. de la Chartreuse, 38240 Meylan, France, 076-904574-9; Place de Bretagne, 35000 Rennes, France, 099-795481;

100-102 Alle de Barcelone, Residence L'Autay, 31000 Toulouse, France, 061-213032.

**GERMANY:** Texas Instruments Deutschland GmbH: Kurfurstendamm 146, 1000 Berlin 31, Germany, 030-8927013; III Hagen 43, Frankfurter Allee 6-8, 6236 Eschborn, Germany, 06196-43074; 4300 Essen, Germany, 0201-233551; Winterhuder Weg 9, 2000 Hamburg 76, Germany, 040-2201154; Haggertystrasse 1, 8050 Frelising, Germany, 08161-801; Riehorst 4, 3000 Hanover 51, Germany, 0511-648021; Arabellastrasse 13-15, 8000 Munich 81, Germany, 089-92341; Marienortgraben 3-5, 8500 Nuernberg, Germany, 0911-22877; Krefelderstrasse 11-15, 7000 Stuttgart 50, Germany, 0711-547001.

**HONG KONG:** Texas Instruments Asia Ltd.: 902, Asian House, 1, Hennessy Rd., Hong Kong, 05-279041.

**ITALY:** Texas Instruments Italia Spa: Via Europa 38/44, Colongo Monzese, Milan, Italy, 02-253-2451; Via Salaria 1319, 00138 Rome, Italy, 06-6917127; Via Montebello 27, 10124 Turin, Italy, 011-832276.

**JAPAN:** Texas Instruments Asia Ltd.: Aoyama Tower Bldg., 4, 5, & 6F, 24-15 Minami Aoyama, 2-Chome, Minato-Ku., Tokyo, Japan 107, 03-402-6171.

**KOREA:** Texas Instruments Supply Company: Room 301, Kwang Poong Bldg., 24-1 Hwayang Dong, Sungdong-Ku, Seoul, Korea, 446-1565.

**MEXICO:** Texas Instruments de Mexico S.A: Poniente 116 #489, Col. Industrial Vallejo, Mexico City 15, D.F., Mexico, 905-567-9200.

**NETHERLANDS:** Texas Instruments Holland BV: Laan Van de Helende Meesters 421 A, P.O. Box 283, 1180 AG Amstelveen, Holland, 020-473391.

**NORWAY:** Texas Instruments A/S: Ryensvingen 15, Oslo 6, Norway, 02-689487.

**PORTUGAL:** Texas Instruments Equipamento Electronico LDA: Rua Eng. Frederico Ulrich, 2650 Moreira Da Maia, Douro, Portugal, 948-1003.

**SINGAPORE:** Texas Instruments Asia Ltd.: P.O. Box 2093, 990 Bendemeer Rd., Singapore 1, Republic of Singapore, 65-2581122.

**SPAIN:** Texas Instruments Espana S.A: Balmes 89, 12 Barcelona 12, Spain.

**SWEDEN:** Texas Instruments International Trade Corporation (Sverigefilialen): Norra Hannavagn 3, Fack S-100 54 Stockholm 39, Sweden, 08-235480.

**TAIWAN:** Texas Instruments Taiwan Ltd.: 10th floor, Fu Shing Bldg., 71 Sung-Kiang Rd., Taipei, Taiwan, Republic of China.

**UNITED KINGDOM:** Texas Instruments Ltd: Manton Lane, Bedford, England MK417PU, 0234-6746.

**TEXAS INSTRUMENTS  
INCORPORATED**

**The  
TTL  
Data Book  
for  
Design Engineers**

**Second Edition**



**TEXAS INSTRUMENTS**  
INCORPORATED

LCC4112  
74062-116 -AI

Printed in U.S.A.

#### **IMPORTANT NOTICES**

**Texas Instruments reserves the right to make changes at any time in order to improve design and to supply the best product possible.**

**TI cannot assume any responsibility for any circuits shown or represent that they are free from patent infringement.**

**Information contained herein supercedes previously published data on TTL products including data books CC-411 and CC-416.**

**Copyright © 1981  
Texas Instruments Incorporated**

**Third Printing**

# THE TTL DATA BOOK

## Second Edition

In this 832-page data book, Texas Instruments is pleased to present important technical information on the industry's broadest and most advanced families of TTL integrated circuits.

You'll find complete specifications on standard-technology TTL circuits (Series 54/74, Series 54H/74H, Series 54L/74L) and on TI's high-technology TTL circuits such as the Schottky-clamped† Series 54LS/74LS and Series 54S/74S. Information on radiation-hardened and beam-lead circuits has not been included in this book, but TI has a broad line of these devices, and information is available upon request.

The indexes are designed for ease of circuit selection with margin tabs to guide you quickly to general circuit categories, and the alphanumeric and functional indexes will let you locate specific circuit types quickly. In addition, a section showing pin assignments, package availability, and a brief description of the circuit type arranged in type-number order is included for quick reference. Whenever practical, the MSI functions are arranged in sequence by type number to further simplify the task of locating a particular function.

High-reliability TTL IC's are covered in a section devoted to the latest revision of the MACH IV Procurement Specification in accordance with MIL-M-38510, a program initiated by TI to ensure that quality and reliability are built into, not tested into, integrated circuits. Another section is devoted to JAN IC's and provides a table of recommended usage and cross-references from TI type number to 38510 slash sheet and 38510 slash sheet to TI type number.

Another handy reference for the design engineer is the section on IC sockets and interconnection panels from TI.

Although this volume offers design and specification data only for TTL integrated circuits, complete technical data for any TI semiconductor/component products are available from your nearest TI field sales office, local authorized TI distributor, or by writing direct to: Marketing Information Services, Texas Instruments Incorporated, P. O. Box 225012, MS 308, Dallas, Texas 75265.

We sincerely hope you will find the new TTL Data Book for Design Engineers a meaningful addition to your technical library.

† Integrated Schottky-Barrier diode-clamped transistor is patented by Texas Instruments. U.S. Patent Number 3,463,975.



# **Indexes**

- **Alphanumeric**
- **Functional/Selection Guide**



# ALPHANUMERIC INDEX

TYPE NUMBERS		ELECTRICAL PAGE†	PIN ASSIGNMENTS PAGE†	TYPE NUMBERS		ELECTRICAL PAGE†	PIN ASSIGNMENTS PAGE†
FP54ALS16R4	FP74ALS16R4	S-297	S-297	SN54ALS09	SN74ALS09	S-235	S-235
FP54ALS16R6	FP74ALS16R6	S-297	S-297	SN54LS09	SN74LS09	6-12	5-8
FP54ALS16L8	FP74ALS16L8	S-297	S-297	SN54S09	SN74S09	6-12	5-8
FP54ALS16R8	FP74ALS16R8	S-297	S-297	SN5410	SN7410	6-2	5-8
FP54LS333	FP74LS333	S-306	S-306	SN54ALS10	SN74ALS10	S-236	S-236
FP54LS335	FP74LS335	S-306	S-306	SN54H10	SN74H10	6-2	5-8
FP54AS839	FP74AS839	S-310	S-310	SN54L10	SN74L10 <sup>1</sup>	6-2	5-8
FP54AS840	FP74AS840	S-310	S-310	SN54LS10	SN74LS10	6-2	5-8
SN5400	SN7400	6-2	5-6	SN54S10	SN74S10	6-2	5-8
SN54ALS00	SN74ALS00	S-228	S-228	SN54ALS11	SN74ALS11	S-237	S-237
SN54H00	SN74H00	6-2	5-6	SN54H11	SN74H11	6-10	5-9
SN54L00	SN74L00 <sup>†</sup>	6-2	5-6	SN54LS11	SN74LS11	6-10	5-9
SN54LS00	SN74LS00	6-2	5-6	SN54S11	SN74S11	6-10	5-9
SN54S00	SN74S00	6-2	5-6	SN5412	SN7412	6-4	5-9
SN5401	SN7401	6-4	5-6	SN54ALS12	SN74ALS12	S-238	S-238
SN54ALS01	SN74ALS01	S-229	S-229	SN54LS12	SN74LS12	6-4	5-9
SN54H01	SN74H01	6-4	5-6	SN5413	SN7413	6-14	5-9
SN54L01		6-4	5-6	SN54LS13	SN74LS13	6-14	5-9
SN54LS01	SN74LS01	6-4	5-6	SN5414	SN7414	6-14	5-9
SN5402	SN7402	6-8	5-6	SN54LS14	SN74LS14	6-14	5-9
SN54ALS02	SN74ALS02	S-230	S-230	SN54ALS15	SN74ALS15	S-239	S-239
SN54L02	SN74L02 <sup>†</sup>	6-8	5-6	SN54H15	SN74H15	6-12	5-10
SN54LS02	SN74LS02	6-8	5-6	SN54LS15	SN74LS15	6-12	5-10
SN54S02	SN74S02	6-8	5-6	SN54S15	SN74S15	6-12	5-10
SN5403	SN7403	6-4	5-7	SN5416	SN7416	6-24	5-10
SN54ALS03	SN74ALS03	S-231	S-231	SN5417	SN7417	6-24	5-10
SN54L03	SN74L03 <sup>1</sup>	6-4	5-7	SN54LS18	SN74LS18	S-17	S-17
SN54LS03	SN74LS03	6-4	5-7	SN54LS19	SN74LS19	S-17	S-17
SN54S03	SN74S03	6-4	5-7	SN5420	SN7420	6-2	5-10
SN5404	SN7404	6-2	5-7	SN54ALS20	SN74ALS20	S-240	S-240
SN54ALS04	SN74ALS04	S-232	S-232	SN54H20	SN74H20	6-2	5-10
SN54H04	SN74H04	6-2	5-7	SN54L20	SN74L20 <sup>†</sup>	6-2	5-10
SN54L04	SN74L04 <sup>†</sup>	6-2	5-7	SN54LS20	SN74LS20	6-2	5-10
SN54LS04	SN74LS04	6-2	5-7	SN54S20	SN74S20	6-2	5-10
SN54S04	SN74S04	6-2	5-7	SN54ALS21	SN74ALS21	S-241	S-241
SN5405	SN7405	6-4	5-7	SN54H21	SN74H21	6-10	5-11
SN54ALS05	SN74ALS05	S-233	S-233	SN54LS21	SN74LS21	6-10	5-11
SN54H05	SN74H05	6-4	5-7	SN5422	SN7422	6-4	5-11
SN54LS05	SN74LS05	6-4	5-7	SN54ALS22	SN74ALS22	S-242	S-242
SN54S05	SN74S05	6-4	5-7	SN54H22	SN74H22	6-4	5-11
SN5406	SN7406	6-24	5-7	SN54LS22	SN74LS22	6-4	5-11
SN5407	SN7407	6-24	5-8	SN54S22	SN74S22	6-4	5-11
SN5408	SN7408	6-10	5-8	SN5423	SN7423	6-39	5-11
SN54ALS08	SN74ALS08	S-234	S-234	SN54LS24	SN74LS24	S-17	S-17
SN54LS08	SN74LS08	6-10	5-8	SN5425	SN7425	6-8	5-11
SN54S08	SN74S08	6-10	5-8	SN5426	SN7426	6-24	5-12
SN5409	SN7409	6-12	5-8	SN54LS26	SN74LS26	6-26	5-12

<sup>1</sup> Page numbers without "S-" preceding them refer to pages in this data book; those with "S-" refer to pages in 1981 Supplement to The TTL Data Book for Design Engineers, LCC5772.

<sup>†</sup> Contact the factory for availability.

# ALPHANUMERIC INDEX

TYPE NUMBERS		ELECTRICAL PAGE†	PIN ASSIGNMENTS PAGE†	TYPE NUMBERS		ELECTRICAL PAGE†	PIN ASSIGNMENTS PAGE†
SN5427	SN7427	6-8	5-12	SN54LS49	SN74LS49	7-22	7-22
SN54ALS27	SN74ALS27	S-243	S-243	SN5450	SN7450	6-39	5-16
SN54LS27	SN74LS27	6-8	5-12	SN54H50	SN74H50	6-39	5-16
SN5428	SN7428	6-20	5-12	SN5451	SN7451	6-30	5-16
SN54ALS28	SN74ALS28	S-244	S-244	SN54H51	SN74H51	6-30	5-16
SN54LS28	SN74LS28	6-20	5-12	SN54L51	SN74L51†	6-30	5-16
SN5430	SN7430	6-2	5-12	SN54LS51	SN74LS51	6-30	5-16
SN54ALS30	SN74ALS30	S-245	S-245	SN54S51	SN74S51	6-30	5-16
SN54H30	SN74H30	6-2	5-12	SN54H52	SN74H52	6-39	5-17
SN54L30	SN74L30†	6-2	5-12	SN5453	SN7453	6-39	5-17
SN54LS30	SN74LS30	6-2	5-12	SN54H53	SN74H53	6-39	5-17
SN54S30	SN74S30	6-2	5-12	SN5454	SN7454	6-30	5-18
SN5432	SN7432	6-28	5-13	SN54H54	SN74H54	6-30	5-18
SN54ALS32	SN74ALS32	S-246	S-246	SN54L54	SN74L54†	6-30	5-18
SN54LS32	SN74LS32	6-28	5-13	SN54LS54	SN74LS54	6-30	5-18
SN54S32	SN74S32	6-28	5-13	SN54H55	SN74H55	6-39	5-19
SN5433	SN7433	6-24	5-13	SN54L55	SN74L55†	6-30	5-19
SN54ALS33	SN74ALS33	S-247	S-247	SN54LS55	SN74LS55	6-30	5-19
SN54LS33	SN74LS33	6-26	5-13	SN5460	SN7460	6-43	5-19
SN5437	SN7437	6-20	5-13	SN54H60	SN74H60	6-44	5-19
SN54ALS37	SN74ALS37	S-248	S-248	SN54H61	SN74H61	6-45	5-19
SN54LS37	SN74LS37	6-20	5-13	SN54H62	SN74H62	6-44	5-20
SN54S37	SN74S37	6-20	5-13	SN54LS63	SN74LS63	6-62	5-20
SN5438	SN7438	6-24	5-13	SN54S64	SN74S64	6-30	5-20
SN54ALS38	SN74ALS38	S-249	S-249	SN54S65	SN74S65	6-32	5-20
SN54LS38	SN74LS38	6-26	5-13	SN5470	SN7470	6-46	5-21
SN54S38	SN74S38	6-26	5-13	SN54H71	SN74H71	6-50	5-21
SN5440	SN7440	6-20	5-14	SN54L71	SN74L71†	6-54	5-21
SN54ALS40	SN74ALS40	S-248	S-248	SN5472	SN7472	6-46	5-22
SN54H40	SN74H40	6-20	5-14	SN54H72	SN74H72	6-50	5-22
SN54LS40	SN74LS40	6-20	5-14	SN54L72	SN74L72†	6-54	5-22
SN54S40	SN74S40	6-20	5-14	SN5473	SN7473	6-46	5-22
SN5442A	SN7442A	7-15	7-15	SN54H73	SN74H73	6-50	5-22
SN54L42	SN74L42†	7-15	7-15	SN54L73	SN74L73†	6-54	5-22
SN54LS42	SN74LS42	7-15	7-15	SN54LS73A	SN74LS73A	6-56	5-22
SN5443A	SN7443A	7-15	7-15	SN5474	SN7474	6-46	5-22
SN54L43	SN74L43†	7-15	7-15	SN54ALS74	SN74ALS74	S-250	S-250
SN5444A	SN7444A	7-15	7-15	SN54H74	SN74H74	6-50	5-22
SN54L44	SN74L44†	7-15	7-15	SN54L74	SN74L74†	6-54	5-22
SN5445	SN7445	7-20	7-20	SN54LS74A	SN74LS74A	6-56	5-22
SN5446A	SN7446A	7-22	7-22	SN54S74	SN74S74	6-58	5-22
SN54L46	SN74L46†	7-22	7-22	SN5475	SN7475	7-35	7-35
SN5447A	SN7447A	7-22	7-22	SN54L75	SN74L75†	7-35	7-35
SN54L47	SN74L47†	7-22	7-22	SN54LS75	SN74LS75	7-35	7-35
SN54LS47	SN74LS47	7-22	7-22	SN5476	SN7476	6-46	5-23
SN5448	SN7448	7-22	7-22	SN54H76	SN74H76	6-50	5-23
SN54LS48	SN74LS48	7-22	7-22	SN54LS76A	SN74LS76A	6-56	5-23
SN5449	SN7449	7-22	7-22	SN5477	SN7477	7-35	7-35

† Page numbers without "S-" preceding them refer to pages in this data book; those with "S-" refer to pages in 1981 Supplement to The TTL Data Book for Design Engineers, LCC5772.

‡ Contact the factory for availability.

# ALPHANUMERIC INDEX

TYPE NUMBERS		ELECTRICAL PAGE†	PIN ASSIGNMENTS PAGE‡	TYPE NUMBERS		ELECTRICAL PAGE†	PIN ASSIGNMENTS PAGE‡
SN54L77		7-35	7-35	SN54H106	SN74H106	6-52	5-32
SN54LS77		7-35	7-35	SN54107	SN74107	6-46	5-32
SN54H78	SN74H78	6-50	5-24	SN54LS107A	SN74LS107A	6-56	5-32
SN54L78	SN74L78†	6-54	5-24	SN54H108	SN74H108	6-52	5-32
SN54LS78A	SN74LS78A	6-56	5-24	SN54109	SN74109	6-46	5-33
SN5480	SN7480	7-41	7-41	SN54ALS109	SN74ALS109	S-251	S-251
SN5481A	SN7481A	7-44	7-44	SN54LS109A	SN74LS109A	6-56	5-33
SN5482	SN7482	7-49	7-49	SN54110	SN74110	6-46	5-33
SN5483A	SN7483A	7-53	7-53	SN54111	SN74111	6-46	5-33
SN54LS83A	SN74LS83A	7-53	7-53	SN54ALS112	SN74ALS112	S-252	S-252
SN5484A	SN7484A	7-44	7-44	SN54LS112A	SN74LS112A	6-56	5-34
SN5485	SN7485	7-57	7-57	SN54S112	SN74S112	6-58	5-34
SN54L85	SN74L85‡	7-57	7-57	SN54ALS113	SN74ALS113	S-253	S-253
SN54LS85	SN74LS85	7-57	7-57	SN54LS113A	SN74LS113A	6-56	5-34
SN54S85	SN74S85	7-57	7-57	SN54S113	SN74S113	6-58	5-34
SN5486	SN7486	7-65	7-65	SN54ALS114	SN74ALS114	S-254	S-254
SN54L86	SN74L86†	7-65	7-65	SN54LS114A	SN74LS114A	6-56	5-34
SN54LS86	SN74LS86	7-65	7-65	SN54S114	SN74S114	6-58	5-34
SN54S86	SN74S86	7-65	7-65	SN54116	SN74116	7-115	7-115
SN54H87	SN74H87	7-70	7-70	SN54120	SN74120	7-118	7-118
SN5488A	SN7488A	§	5-27	SN54121	SN74121	6-64	5-35
	SN7489	§	5-27	SN54L121	SN74L121†	6-64	5-35
SN5490A	SN7490A	7-72	7-72	SN54122	SN74122	6-76	5-36
SN54L90	SN74L90†	7-72	7-72	SN54L122	SN74L122‡	6-76	5-36
SN54LS90	SN74LS90	7-72	7-72	SN54LS122	SN74LS122	6-76	5-36
SN5491A	SN7491A	7-81	7-81	SN54123	SN74123	6-76	5-36
SN54L91	SN74L91†	7-81	7-81	SN54L123	SN74L123†	6-76	5-36
SN54LS91	SN74LS91	7-81	7-81	SN54LS123	SN74LS123	6-76	5-36
SN5492A	SN7492A	7-72	7-72	SN54S124	SN74S124	7-123	7-123
SN54LS92	SN74LS92	7-72	7-72	SN54125	SN74125	6-33	5-37
SN5493A	SN7493A	7-72	7-72	SN54LS125A	SN74LS125A	6-33	5-37
SN54L93	SN74L93†	7-72	7-72	SN54126	SN74126	6-33	5-37
SN54LS93	SN74LS93	7-72	7-72	SN54LS126A	SN74LS126A	6-33	5-37
SN5494	SN7494	7-86	7-86	SN54128	SN74128	6-22	5-37
SN5495A	SN7495A	7-89	7-89	SN54132	SN74132	6-14	5-37
SN54L95	SN74L95†	7-89	7-89	SN54LS132	SN74LS132	6-14	5-37
SN54LS95B	SN74LS95B	7-89	7-89	SN54S132	SN74S132	6-14	5-37
SN5496	SN7496	7-95	7-95	SN54ALS133	SN74ALS133	S-255	S-255
SN54L96	SN74L96†	7-95	7-95	SN54S133	SN74S133	6-2	5-38
SN54LS96	SN74LS96	7-95	7-95	SN54S134	SN74S134	6-33	5-38
SN5497	SN7497	7-102	7-102	SN54S135	SN74S135	7-129	7-129
SN54L98	SN74L98†	7-107	7-107	SN54136	SN74136	7-131	7-131
SN54L99	SN74L99†	7-109	7-109	SN54LS136	SN74LS136	7-131	7-131
SN54100	SN74100	7-113	7-113	SN54LS137	SN74LS137	S-19	S-19
SN54H101	SN74H101	6-52	5-31	SN54LS138	SN74LS138	7-134	7-134
SN54H102	SN74H102	6-52	5-31	SN54S138	SN74S138	7-134	7-134
SN54H103	SN74H103	6-52	5-31	SN54LS139	SN74LS139	7-134	7-134

† Page numbers without "S-" preceding them refer to pages in this data book; those with "S-" refer to pages in 1981 Supplement to The TTL Data Book for Design Engineers, LCC5772.

‡ Contact the factory for availability.

§ For more information on these devices contact the factory.

# ALPHANUMERIC INDEX

TYPE NUMBERS		ELECTRICAL PAGE†	PIN ASSIGNMENTS PAGE‡	TYPE NUMBERS		ELECTRICAL PAGE†	PIN ASSIGNMENTS PAGE‡
SN54S139	SN74S139	7-134	7-134	SN54LS164	SN74LS164	7-206	7-206
SN54S140	SN74S140	6-22	5-39	SN54165	SN74165	7-212	7-212
	SN74141	7-138	7-138	SN54LS165	SN74LS165	7-212	7-212
	SN74142	7-140	7-140	SN54166	SN74166	7-217	7-217
SN54143	SN74143	7-143	7-143	SN54LS166	SN74LS166	7-217	7-217
SN54144	SN74144	7-143	7-143	SN54167	SN74167	7-222	7-222
SN54145	SN74145	7-148	7-148	SN54S168	SN74S168	7-226	7-226
SN54LS145	SN74LS145	7-148	7-148	SN54LS169A	SN74LS169A	7-226	7-226
SN54147	SN74147	7-151	7-151	SN54S169	SN74S169	7-226	7-226
SN54LS147	SN74LS147	7-151	7-151	SN54170	SN74170	7-237	7-237
SN54148	SN74148	7-151	7-151	SN54LS170	SN74LS170	7-237	7-237
SN54LS148	SN74LS148	7-151	7-151		SN74172	7-245	7-245
SN54150	SN74150	7-157	7-157	SN54173	SN74173	7-249	7-249
SN54151A	SN74151A	7-157	7-157	SN54LS173A	SN74LS173A	7-249	7-249
SN54LS151	SN74LS151	7-157	7-157	SN54174	SN74174	7-253	7-253
SN54S151	SN74S151	7-157	7-157	SN54LS174	SN74LS174	7-253	7-253
SN54152A		7-157	7-157	SN54S174	SN74S174	7-253	7-253
SN54LS152		7-157	7-157	SN54175	SN74175	7-253	7-253
SN54153	SN74153	7-165	7-165	SN54LS175	SN74LS175	7-253	7-253
SN54L153	SN74L153†	7-165	7-165	SN54S175	SN74S175	7-253	7-253
SN54LS153	SN74LS153	7-165	7-165	SN54176	SN74176	7-259	7-259
SN54S153	SN74S153	7-165	7-165	SN54177	SN74177	7-259	7-259
SN54154	SN74154	7-171	7-171	SN54178	SN74178	7-265	7-265
SN54L154	SN74L154†	7-171	7-171	SN54179	SN74179	7-265	7-265
SN54155	SN74155	7-175	7-175	SN54180	SN74180	7-269	7-269
SN54LS155	SN74LS155	7-175	7-175	SN54181	SN74181	7-271	7-271
SN54156	SN74156	7-175	7-175	SN54AS181	SN74AS181	S-268	S-270
SN54LS156	SN74LS156	7-175	7-175	SN54LS181	SN74LS181	7-271	7-271
SN54157	SN74157	7-181	7-181	SN54S181	SN74S181	7-271	7-271
SN54L157	SN74L157†	7-181	7-181	SN54182	SN74182	7-282	7-282
SN54LS157	SN74LS157	7-181	7-181	SN54S182	SN74S182	7-282	7-282
SN54S157	SN74S157	7-181	7-181	SN54LS183	SN74LS183	7-287	7-287
SN54LS158	SN74LS158	7-181	7-181	SN54H183	SN74H183	7-287	7-287
SN54S158	SN74S158	7-181	7-181	SN54184	SN74184	7-290	7-290
SN54159	SN74159	7-188	7-188	SN54185A	SN74185A	7-290	7-290
SN54160	SN74160	7-190	7-190	SN54186	SN74186	§	5-49
SN54LS160A	SN74LS160A	7-190	7-190	SN54187	SN74187	§	5-49
SN54161	SN74161	7-190	7-190				
SN54LS161A	SN74LS161A	7-190	7-190	SN54S188	SN74S188	¶	5-49
SN54162	SN74162	7-190	7-190	SN54S189	SN74S189	¶	5-49
SN54LS162A	SN74LS162A	7-190	7-190	SN54190	SN74190	7-296	7-296
SN54S162	SN74S162	7-190	7-190	SN54LS190	SN74LS190	7-296	7-296
SN54163	SN74163	7-190	7-190	SN54191	SN74191	7-296	7-296
SN54LS163A	SN74LS163A	7-190	7-190	SN54LS191	SN74LS191	7-296	7-296
SN54S163	SN74S163	7-190	7-190	SN54192	SN74192	7-306	7-306
SN54164	SN74164	7-206	7-206	SN54L192	SN74L192†	7-306	7-306
SN54L164	SN74L164†	7-206	7-206	SN54LS192	SN74LS192	7-306	7-306

† Page numbers without "S-" preceding them refer to pages in this data book; those with "S-" refer to pages in 1981 Supplement to The TTL Data Book for Design Engineers, LCC5772.

‡ Contact the factory for availability.

§ For more information on these devices contact the factory.

¶ See Bipolar Microcomputer Components Data Book, second edition, or its successor.

# ALPHANUMERIC INDEX

TYPE NUMBERS		ELECTRICAL PAGE†	PIN ASSIGNMENTS PAGE†	TYPE NUMBERS		ELECTRICAL PAGE†	PIN ASSIGNMENTS PAGE†
SN54193	SN74193	7-306	7-306	SN54LS258A	SN74LS258A	7-372	7-372
SN54L193	SN74L193†	7-306	7-306	SN54S258	SN74S258	7-372	7-372
SN54LS193	SN74LS193	7-306	7-306	SN54259	SN74259	7-376	7-376
SN54194	SN74194	7-316	7-316	SN54LS259	SN74LS259	7-376	7-376
SN54LS194A	SN74LS194A	7-316	7-316	SN54S260	SN74S260	6-8	5-57
SN54S194	SN74S194	7-316	7-316	SN54LS261	SN74LS261	7-380	7-380
SN54195	SN74195	7-324	7-324	SN54265	SN74265	6-89	5-57
SN54LS195A	SN74LS195A	7-324	7-324	SN54LS266	SN74LS266	7-386	7-386
SN54S195	SN74S195	7-324	7-324	SN54S270	SN74S270	§	5-58
SN54196	SN74196	7-331	7-331	SN54S271	SN74S271	§	5-58
SN54LS196	SN74LS196	7-331	7-331	SN54273	SN74273	7-388	7-388
SN54S196	SN74S196	7-331	7-331	SN54LS273	SN74LS273	7-388	7-388
SN54197	SN74197	7-331	7-331	SN54S274	SN74S274	7-391	7-391
SN54LS197	SN74LS197	7-331	7-331	SN54LS275	SN74LS275	7-391	7-391
SN54S197	SN74S197	7-331	7-331	SN54S275	SN74S275	7-391	7-391
SN54198	SN74198	7-338	7-338	SN54276	SN74276	7-401	7-401
SN54199	SN74199	7-338	7-338	SN54278	SN74278	7-403	7-403
SN54S201	SN74S201	¶	5-52	SN54279	SN74279	6-60	5-59
SN54221	SN74221	6-68	5-53	SN54LS279	SN74LS279	6-60	5-59
SN54LS221	SN74LS221	6-68	5-53	SN54LS280	SN74LS280	7-406	7-406
SN54LS222	SN74LS222	S-23	S-23	SN54S280	SN74S280	7-406	7-406
SN54LS224	SN74LS224	S-23	S-23	SN54S281	SN74S281	7-410	7-410
	SN74S225	¶	5-53	SN54283	SN74283	7-415	7-415
SN54S226	SN74S226	7-345	7-345	SN54LS283	SN74LS283	7-415	7-415
SN54LS227	SN74LS227	S-23	S-23	SN54S283	SN74S283	7-415	7-415
SN54LS228	SN74LS228	S-23	S-23	SN54284	SN74284	7-420	7-420
SN54LS240	SN74LS240	6-83	5-53	SN54285	SN74285	7-420	7-420
SN54S240	SN74S240	6-83	5-53	SN54S287	SN74S287	¶	5-61
SN54LS241	SN74LS241	6-83	5-54	SN54S288	SN74S288	¶	5-61
SN54S241	SN74S241	6-83	5-54	SN54S289	SN74S289	¶	5-61
SN54LS242	SN74LS242	6-87	5-54	SN54290	SN74290	7-423	7-423
SN54LS243	SN74LS243	6-87	5-54	SN54LS290	SN74LS290	7-423	7-423
SN54LS244	SN74LS244	6-83	5-54	SN54LS292	SN74LS292	S-31	S-31
SN54LS245	SN74LS245	7-349	7-349	SN54293	SN74293	7-423	7-423
SN54246	SN74246	7-351	7-351	SN54LS293	SN74LS293	7-423	7-423
SN54247	SN74247	7-351	7-351	SN54LS294	SN74LS294	S-31	S-31
SN54LS247	SN74LS247	7-351	7-351	SN54LS295B	SN74LS295B	7-429	7-429
SN54248	SN74248	7-351	7-351	SN54LS297	SN74LS297	S-38	S-38
SN54LS248	SN74LS248	7-351	7-351	SN54298	SN74298	7-432	7-432
SN54249	SN74249	7-351	7-351	SN54LS298	SN74LS298	7-432	7-432
SN54LS249	SN74LS249	7-351	7-351	SN54LS299	SN74LS299	7-437	7-437
SN54251	SN74251	7-362	7-362	SN54S299	SN74S299	7-437	7-437
SN54LS251	SN74LS251	7-362	7-362	SN54S301	SN74S301	¶	5-63
SN54S251	SN74S251	7-362	7-362	SN54LS320	SN74LS320	S-44	S-44
SN54LS253	SN74LS253	7-369	7-369	SN54LS321	SN74LS321	S-44	S-44
SN54LS257A	SN74LS257A	7-372	7-372	SN54LS322A	SN74LS322A	S-47	S-47
SN54S257	SN74S257	7-372	7-372	SN54LS323	SN74LS323	7-443	7-443

† Page numbers without "S-" preceding them refer to pages in this data book; those with "S-" refer to pages in 1981 Supplement to The TTL Data Book for Design Engineers, LCC5772.

¶ For more information on these devices contact the factory.

§ See Bipolar Microcomputer Components Data Book, second edition, or its successor.

# ALPHANUMERIC INDEX

TYPE NUMBERS		ELECTRICAL PAGE†	PIN ASSIGNMENTS PAGE†	TYPE NUMBERS		ELECTRICAL PAGE†	PIN ASSIGNMENTS PAGE†
SN54S340	SN74S340	7-445	7-445	SN54LS422	SN74LS422	S-73	S-73
SN54S341	SN74S341	7-445	7-445	SN54LS423	SN74LS423	S-73	S-73
SN54S344	SN74S344	7-445	7-445	SN54425	SN74425	6-33	5-71
SN54LS347	SN74LS347	S-51	S-51	SN54426	SN74426	6-33	5-72
SN54LS348	SN74LS348	7-448	7-448		SN74S428	7-514	7-514
	SN74351	7-451	7-451	SN54S436	SN74S436	S-77	S-77
SN54LS352	SN74LS352	7-454	7-454	SN54S437	SN54S437	S-77	S-77
SN54LS353	SN74LS353	7-457	7-457		SN74S438	7-514	7-514
SN54LS354	SN74LS354	S-53	S-53	SN54LS440	SN74LS440	S-81	S-81
SN54LS355	SN74LS355	S-53	S-53	SN54LS441	SN74LS441	S-81	S-81
SN54LS356	SN74LS356	S-53	S-53	SN54LS442	SN74LS442	S-81	S-81
SN54LS357	SN74LS357	S-53	S-53	SN54LS443	SN74LS443	S-81	S-81
SN54365A	SN74365A	6-36	5-66	SN54LS444	SN74LS444	S-81	S-81
SN54LS365A	SN74LS365A	6-36	5-66	SN54LS445	SN74LS445	S-87	S-87
SN54366A	SN74366A	6-36	5-66	SN54LS446	SN74LS446	S-89	S-89
SN54LS366A	SN74LS366A	6-36	5-66	SN54LS447	SN74LS447	S-93	S-93
SN54367A	SN74367A	6-36	5-66	SN54LS448	SN74LS448	S-81	S-81
SN54LS367A	SN74LS367A	6-36	5-66	SN54LS449	SN74LS449	S-89	S-89
SN54368A	SN74368A	6-36	5-66	SN54LS465	SN74LS465	S-95	S-95
SN54LS368A	SN74LS368A	6-36	5-66	SN54LS466	SN74LS466	S-95	S-95
SN54S370	SN74S370	§	5-67	SN54LS467	SN74LS467	S-95	S-95
SN54S371	SN74S371	§	5-67	SN54LS468	SN74LS468	S-95	S-95
SN54LS373	SN74LS373	7-471	7-471	SN54S470	SN74S470	¶	5-73
SN54S373	SN74S373	7-441	7-471	SN54S471	SN74S471	¶	5-73
SN54LS374	SN74LS374	7-471	7-471	SN54S472	SN74S472	¶	5-73
SN54S374	SN74S374	7-471	7-471	SN54S473	SN74S473	¶	5-73
SN54LS375	SN74LS375	7-478	7-478	SN54S474	SN74S474	¶	5-73
SN54376	SN74376	7-479	7-479	SN54S475	SN74S475	¶	5-73
SN54LS377	SN74LS377	7-481	7-481	SN54S481	SN74S481	¶	5-74
SN54LS378	SN74LS378	7-481	7-481	SN54LS481	SN74LS481	¶	5-74
SN54LS379	SN74LS379	7-481	7-481	SN54S482	SN74S482	¶	5-74
SN54S381	SN74S381	7-484	7-484	SN54490	SN74490	7-520	7-520
SN54LS381	SN74LS381	S-60	S-60	SN54LS490	SN74LS490	7-520	7-520
SN54LS382	SN74LS382	S-60	S-60	SN54LS540	SN74LS540	S-98	S-98
SN54LS384	SN74LS384	S-65	S-65	SN54LS541	SN74LS541	S-98	S-98
SN54LS385	SN74LS385	S-69	S-69	SN54ALS573	SN74ALS573	S-256	S-256
SN54LS386	SN74LS386	7-487	7-487	SN54ALS574	SN74ALS574	S-257	S-257
SN54S387	SN74S387	¶	5-69	SN54ALS576	SN74ALS576	S-258	S-258
SN54390	SN74390	7-489	7-489	SN54ALS580	SN74ALS580	S-259	S-259
SN54LS390	SN74LS390	7-489	7-489	SN54LS590	SN74LS590	S-101	S-101
SN54393	SN74393	7-489	7-489	SN54LS591	SN74LS591	S-101	S-101
SN54LS393	SN74LS393	7-489	7-489	SN54LS592	SN74LS592	S-105	S-105
SN54LS395A	SN74LS395A	7-496	7-496	SN54LS593	SN74LS593	S-105	S-105
SN54LS396	SN74LS396	S-71	S-71	SN54LS595	SN74LS595	S-110	S-110
SN54LS398	SN74LS398	7-499	7-499	SN54LS596	SN74LS596	S-110	S-110
SN54LS399	SN74LS399	7-499	7-499	SN54LS597	SN74LS597	S-114	S-114
SN54S412	SN74S412	7-502	7-502	SN54LS598	SN74LS598	S-114	S-114

† Page numbers without "S-" preceding them refer to pages in this data book; those with "S-" refer to pages in 1981 Supplement to The TTL Data Book for Design Engineers, LCCS772.

§ For more information on these devices contact the factory.

¶ See Bipolar Microcomputer Components Data Book, second edition, or its successor.

# ALPHANUMERIC INDEX

TYPE NUMBERS		ELECTRICAL PAGE†	PIN ASSIGNMENTS PAGE†	TYPE NUMBERS		ELECTRICAL PAGE†	PIN ASSIGNMENTS PAGE†
SN54LS600	SN74LS600	S-119	S-119	SN54LS683	SN74LS683	S-203	S-203
SN54LS601	SN74LS601	S-119	S-119	SN54LS684	SN74LS684	S-203	S-203
SN54LS602	SN74LS602	S-119	S-119	SN54LS685	SN74LS685	S-203	S-203
SN54LS603	SN74LS603	S-119	S-119	SN54LS686	SN74LS686	S-203	S-203
SN54LS604	SN74LS604	S-124	S-124	SN54LS687	SN74LS687	S-203	S-203
SN54LS605	SN74LS605	S-124	S-124	SN54LS688	SN74LS688	S-203	S-203
SN54LS606	SN74LS606	S-124	S-124	SN54LS689	SN74LS689	S-203	S-203
SN54LS607	SN74LS607	S-124	S-124	SN54LS690	SN74LS690	S-211	S-211
SN54LS608	SN74LS608	S-128	S-128	SN54LS691	SN74LS691	S-211	S-211
SN54LS610	SN74LS610	S-133	S-133	SN54LS692	SN74LS692	S-211	S-211
SN54LS611	SN74LS611	S-133	S-133	SN54LS693	SN74LS693	S-211	S-211
SN54LS612	SN74LS612	S-133	S-133	SN54LS696	SN74LS696	S-217	S-217
SN54LS613	SN74LS613	S-133	S-133	SN54LS697	SN74LS697	S-217	S-217
SN54LS620	SN74LS620	S-141	S-141	SN54LS698	SN74LS698	S-217	S-217
SN54LS621	SN74LS621	S-141	S-141	SN54LS699	SN74LS699	S-217	S-217
SN54LS622	SN74LS622	S-141	S-141	SN54AS800	SN74AS800	S-273	S-273
SN54LS623	SN74LS623	S-141	S-141	SN54AS802	SN74AS802	S-274	S-274
SN54LS624	SN74LS624	S-145	S-145	SN54AS804	SN74AS804	S-275	S-275
SN54LS625	SN74LS625	S-145	S-145	SN54AS805	SN74AS805	S-276	S-276
SN54LS626	SN74LS626	S-145	S-145	SN54AS808	SN74AS808	S-277	S-277
SN54LS627	SN74LS627	S-145	S-145	SN54AS832	SN74AS832	S-278	S-278
SN54LS628	SN74LS628	S-145	S-145	SN54AS857	SN74AS857	S-279	S-279
SN54LS629	SN74LS629	S-145	S-145	SN54AS867	SN74AS867	S-280	S-280
SN54LS630	SN74LS630	S-151	S-151	SN54AS869	SN74AS869	S-280	S-280
SN54LS631	SN74LS631	S-151	S-151	SN54AS870	SN74AS870	S-281	S-281
SN54LS638	SN74LS638	S-157	S-157	SN54AS871	SN74AS871	S-281	S-281
SN54LS639	SN74LS639	S-157	S-157	SN54ALS873	SN74ALS873	S-260	S-260
SN54LS640	SN74LS640	S-161	S-161	SN54AS873	SN74AS873	S-283	S-283
SN54LS641	SN74LS641	S-161	S-161	SN54ALS874	SN74ALS874	S-261	S-261
SN54LS642	SN74LS642	S-161	S-161	SN54AS874	SN74AS874	S-284	S-284
SN54LS643	SN74LS643	S-161	S-161	SN54ALS876	SN74ALS876	S-262	S-262
SN54LS644	SN74LS644	S-161	S-161	SN54AS876	SN74AS876	S-285	S-285
SN54LS645	SN74LS645	S-161	S-161	SN54AS877	SN74AS877	S-286	S-286
SN54LS646	SN74LS646	S-168	S-168	SN54ALS880	SN74ALS880	S-263	S-263
SN54LS647	SN74LS647	S-168	S-168	SN54AS880	SN74AS880	S-287	S-287
SN54LS648	SN74LS648	S-168	S-168	SN54AS881	SN74AS881	S-288	S-288
SN54LS649	SN74LS649	S-168	S-168	SN54AS882	SN74AS882	S-291	S-291
SN54LS651	SN74LS651	S-175	S-175	SN54AS885	SN74AS885	S-293	S-293
SN54LS652	SN74LS652	S-175	S-175	SN54AS894	SN74AS894	S-294	S-294
SN54LS668	SN74LS668	S-179	S-179	SN54ALS1000	SN74ALS1000	S-264	S-264
SN54LS669	SN74LS669	S-179	S-179	SN54ALS1002	SN74ALS1002	S-265	S-265
SN54LS670	SN74LS670	7-526	7-526	SN54ALS1003	SN74ALS1003	S-266	S-266
SN54LS671	SN74LS671	S-187	S-187	SN54ALS1020	SN74ALS1020	S-266	S-266
SN54LS672	SN74LS672	S-187	S-187	TIM8228		7-514	7-514
SN54LS673	SN74LS673	S-193	S-193	TIM8238		7-514	7-514
SN54LS674	SN74LS674	S-193	S-193	TIM9905		7-362	7-362
SN54LS681	SN74LS681	S-197	S-197	TIM9906		7-376	7-376
SN54LS682	SN74LS682	S-203	S-203	TIM9907		7-151	7-151
				TIM9908		7-448	7-448

† Page numbers without "S-" preceding them refer to pages in this data book; those with "S-" refer to pages in 1981 Supplement to The TTL Data Book for Design Engineers, LCC5772.

## FUNCTIONAL INDEX/SELECTION GUIDE

The following pages contain functional indexes and selection guides designed to simplify the choice of a particular function to fit a specific application. Essential characteristics of similar or like functions are grouped for comparative analysis, and the electrical specifications are referenced by page number. The following categories of functions are covered:

SSI FUNCTIONS	Page
Positive-NAND gates and inverters with totem-pole outputs	1-10
Positive-NAND gates and inverters with open-collector outputs	1-10
Positive-NOR gates with totem-pole outputs	1-11
Positive-AND gates with totem-pole outputs	1-11
Positive-AND gates with open-collector outputs	1-11
Schmitt-trigger positive-NAND gates and inverters with totem-pole outputs	1-11
Buffers/clock drivers with totem-pole outputs	1-12
50-ohm/75-ohm line drivers	1-12
Buffer and interface gates with open-collector outputs	1-12
Gates, buffers, drivers and bus transceivers with 3-state outputs	1-13
Positive-OR gates with totem-pole outputs	1-14
AND-OR-INVERT gates with totem-pole outputs	1-14
AND-OR-INVERT gates with open-collector outputs	1-14
Expandable gates	1-14
Expanders	1-14
Dual J-K edge-triggered flip-flops	1-15
Single J-K edge-triggered flip-flops	1-15
Pulse-triggered dual flip-flops	1-16
Pulse-triggered single flip-flops	1-16
Dual J-K flip-flops with data lockout	1-16
Single J-K flip-flops with data lockout	1-16
Dual D-type flip-flops	1-16
S-R latches	1-17
Current-sensing gates	1-17
Monostable multivibrators with Schmitt-trigger inputs	1-17
Retriggerable monostable multivibrators	1-17
Clock generator circuits	1-17
MSI/LSI FUNCTIONS	
Adders	1-18
Accumulators, arithmetic logic units, look-ahead carry generators	1-18
Multipliers	1-18
Comparators	1-18
Parity generators/checkers	1-19
Other arithmetic operators	1-19
Quad, hex, and octal flip-flops	1-19
Register files	1-19
Shift registers	1-20
Other registers	1-20
Latches	1-21
Clock generator circuits	1-21
Code converters	1-21
Priority encoders/registers	1-22
Data selectors/multiplexers	1-22
Decoders/demultiplexers	1-23
Open-collector display decoders/drivers with counters/latches	1-23
Open-collector display decoders/drivers	1-24
Bus transceivers and drivers	1-25
Asynchronous counters—ripple clock—negative-edge triggered	1-25
Synchronous counters—Positive-edge triggered	1-26
Bipolar bit-slice processor elements	1-26
First-in first-out memories (FIFO's)	1-26
Random-access read/write memories (RAM's)	1-27
Read-only memories (ROM's)	1-27
Programmable-read-only memories (PROM's)	1-28
Microprocessor controllers and support functions	1-28
Error detection and correction circuits	1-28



# SSI FUNCTIONS

## FUNCTIONAL INDEX/SELECTION GUIDE

POSITIVE-NAND GATES AND INVERTERS WITH TOTEM-POLE OUTPUTS  
ELECTRICAL TABLES – PAGE 6-2

DESCRIPTION	TYPICAL PROPAGATION DELAY TIME	TYP POWER DISSIPATION PER GATE	DEVICE TYPE AND PACKAGE				PIN ASSIGNMENTS PAGE NO.
			-55°C to 125°C		0°C to 70°C		
HEX INVERTERS	3 ns	19 mW	SN54S04	J, W	SN74S04	J, N	5-7
	6 ns	22 mW	SN54H04	J, W	SN74H04	J, N	
	9.5 ns	2 mW	SN54LS04	J, W	SN74LS04	J, N	
	10 ns	10 mW	SN5404	J, W	SN7404	J, N	
	33 ns	1 mW	SN54L04	J, T	SN74L04	J, N	
QUADRUPLE 2-INPUT POSITIVE-NAND GATES	3 ns	19 mW	SN54S00	J, W	SN74S00	J, N	5-6
	6 ns	22 mW	SN54H00	J, W	SN74H00	J, N	
	9.5 ns	2 mW	SN54LS00	J, W	SN74LS00	J, N	
	10 ns	10 mW	SN5400	J, W	SN7400	J, N	
	33 ns	1 mW	SN54L00	J, T	SN74L00	J, N	
TRIPLE 3-INPUT POSITIVE-NAND GATES	3 ns	19 mW	SN54S10	J, W	SN74S10	J, N	
	6 ns	22 mW	SN54H10	J, W	SN74H10	J, N	
	9.5 ns	2 mW	SN54LS10	J, W	SN74LS10	J, N	
	10 ns	10 mW	SN5410	J, W	SN7410	J, N	
	33 ns	1 mW	SN54L10	J, T	SN74L10	J, N	
DUAL 4-INPUT POSITIVE-NAND GATES	3 ns	19 mW	SN54S20	J, W	SN74S20	J, N	5-10
	6 ns	22 mW	SN54H20	J, W	SN74H20	J, N	
	9.5 ns	2 mW	SN54LS20	J, W	SN74LS20	J, N	
	10 ns	10 mW	SN5420	J, W	SN7420	J, N	
	33 ns	1 mW	SN54L20	J, T	SN74L20	J, N	
8-INPUT POSITIVE-NAND GATES	3 ns	19 mW	SN54S30	J, W	SN74S30	J, N	5-12
	6 ns	22 mW	SN54H30	J, W	SN74H30	J, N	
	17 ns	2.4 mW	SN54LS30	J, W	SN74LS30	J, N	
	10 ns	10 mW	SN5430	J, W	SN7430	J, N	
	33 ns	1 mW	SN54L30	J, T	SN74L30	J, N	
13-INPUT POSITIVE-NAND GATES	3 ns	19 mW	SN54S133	J, W	SN74S133	J, N	5-38

POSITIVE-NAND GATES AND INVERTERS WITH OPEN-COLLECTOR OUTPUTS  
ELECTRICAL TABLES – PAGE 6-4

DESCRIPTION	TYPICAL PROPAGATION DELAY TIME	TYP POWER DISSIPATION PER GATE	DEVICE TYPE AND PACKAGE				PIN ASSIGNMENTS PAGE NO.
			-55°C to 125°C		0°C to 70°C		
HEX INVERTERS	5 ns	17.5 mW	SN54S05	J, W	SN74S05	J, N	5-7
	8 ns	22 mW	SN54H05	J, W	SN74H05	J, N	
	16 ns	2 mW	SN54LS05	J, W	SN74LS05	J, N	
	24 ns	10 mW	SN5405	J, W	SN7405	J, N	
QUADRUPLE 2-INPUT POSITIVE-NAND GATES	5 ns	17.5 mW	SN54S03	J, W	SN74S03	J, N	5-7
	8 ns	22 mW	SN54H01	J, W	SN74H01	J, N	5-6
	16 ns	2 mW	SN54LS01	J, W	SN74LS01	J, N	5-6
	16 ns	2 mW	SN54LS03	J, W	SN74LS03	J, N	5-7
	22 ns	10 mW	SN5401	J, W	SN7401	J, N	5-6
	22 ns	10 mW	SN5403	J	SN7403	J, N	5-7
	46 ns	1 mW	SN54L01	T			5-6
	46 ns	1 mW	SN54L03	J	SN74L03	J, N	5-7
TRIPLE 3-INPUT POSITIVE-NAND GATES	16 ns	2 mW	SN54LS12	J, W	SN74LS12	J, N	5-9
	22 ns	10 mW	SN5412	J, W	SN7412	J, N	
DUAL 4-INPUT POSITIVE-NAND GATES	5 ns	17.5 mW	SN54S22	J, W	SN74S22	J, N	5-11
	8 ns	22 mW	SN54H22	J, W	SN74H22	J, N	
	16 ns	2 mW	SN54LS22	J, W	SN74LS22	J, N	
	22 ns	10 mW	SN5422	J, W	SN7422	J, N	

# SSI FUNCTIONS FUNCTIONAL INDEX/SELECTION GUIDE

## POSITIVE-NOR GATES WITH TOTEM-POLE OUTPUTS ELECTRICAL TABLES – PAGE 6-8

DESCRIPTION	TYPICAL PROPAGATION DELAY TIME	TYP POWER DISSIPATION PER GATE	DEVICE TYPE AND PACKAGE				PIN ASSIGNMENTS PAGE NO.
			-55°C to 125°C		0°C to 70°C		
			Part No.	Package	Part No.	Package	
QUADRUPLE 2-INPUT POSITIVE-NOR GATES	3.5 ns	29 mW	SN54S02	J, W	SN74S02	J, N	5-6
	10 ns	2.75 mW	SN54LS02	J, W	SN74LS02	J, N	
	10 ns	14 mW	SN5402	J, W	SN7402	J, N	
	33 ns	1.5 mW	SN54L02	J, T	SN74L02	J, N	
TRIPLE 3-INPUT POSITIVE-NOR GATES	8.5 ns	22 mW	SN5427	J, W	SN7427	J, N	5-12
	10 ns	4.5 mW	SN54LS27	J, W	SN74LS27	J, N	
DUAL 4-INPUT POSITIVE-NOR GATES WITH STROBE	10.5 ns	23 mW	SN5425	J, W	SN7425	J, N	5-11
DUAL 5-INPUT POSITIVE-NOR GATES	4 ns	54 mW	SN54S260	J, W	SN74S260	J, N	5-58

## POSITIVE-AND GATES WITH TOTEM-POLE OUTPUTS ELECTRICAL TABLES – PAGE 6-10

DESCRIPTION	TYPICAL PROPAGATION DELAY TIME	TYP POWER DISSIPATION PER GATE	DEVICE TYPE AND PACKAGE				PIN ASSIGNMENTS PAGE NO.
			-55°C to 125°C		0°C to 70°C		
			Part No.	Package	Part No.	Package	
QUADRUPLE 2-INPUT POSITIVE-AND GATES	4.75 ns	32 mW	SN54S08	J, W	SN74S08	J, N	5-8
	12 ns	4.25 mW	SN54LS08	J, W	SN74LS08	J, N	
	15 ns	19 mW	SN5408	J, W	SN7408	J, N	
TRIPLE 3-INPUT POSITIVE-AND GATES	4.75 ns	31 mW	SN54S11	J, W	SN74S11	J, N	5-9
	8.2 ns	40 mW	SN54H11	J, W	SN74H11	J, N	
	12 ns	4.25 mW	SN54LS11	J, W	SN74LS11	J, N	
DUAL 4-INPUT POSITIVE-AND GATES	8.2 ns	40 mW	SN54H21	J, W	SN74H21	J, N	5-11
	12 ns	4.25 mW	SN54LS21	J, W	SN74LS21	J, N	

## POSITIVE-AND GATES WITH OPEN-COLLECTOR OUTPUTS ELECTRICAL TABLES – PAGE 6-12

DESCRIPTION	TYPICAL PROPAGATION DELAY TIME	TYP POWER DISSIPATION PER GATE	DEVICE TYPE AND PACKAGE				PIN ASSIGNMENTS PAGE NO.
			-55°C to 125°C		0°C to 70°C		
			Part No.	Package	Part No.	Package	
QUADRUPLE 2-INPUT POSITIVE-AND GATES	6.5 ns	32 mW	SN54S09	J, W	SN74S09	J, N	5-8
	18.5 ns	19.4 mW	SN5409	J, W	SN7409	J, N	
	20 ns	4.25 mW	SN54LS09	J, W	SN74LS09	J, N	
TRIPLE 3-INPUT POSITIVE-AND GATES	6 ns	28 mW	SN54S15	J, W	SN74S15	J, N	5-10
	10.5 ns	38 mW	SN54H15	J, W	SN74H15	J, N	
	20 ns	4.25 mW	SN54LS15	J, W	SN74LS15	J, N	

## SCHMITT-TRIGGER POSITIVE-NAND GATES AND INVERTERS WITH TOTEM-POLE OUTPUTS ELECTRICAL TABLES – PAGE 6-14

DESCRIPTION	TYPICAL HYSTERESIS	TYPICAL DELAY TIME	DEVICE TYPE AND PACKAGE				PIN ASSIGNMENTS PAGE NO.
			-55°C to 125°C		0°C to 70°C		
			Part No.	Package	Part No.	Package	
HEX SCHMITT TRIGGER INVERTERS	0.8 V	15 ns	SN5414	J, W	SN7414	J, N	5-9
	0.8 V	15 ns	SN54LS14	J, W	SN74LS14	J, N	
QUADRUPLE 2-INPUT POSITIVE-NAND SCHMITT TRIGGERS	0.55 V	8 ns	SN54S132	J, W	SN74S132	J, N	5-37
	0.8 V	15 ns	SN54132	J, W	SN74132	J, N	
	0.8 V	15 ns	SN54LS132	J, W	SN74LS132	J, N	
DUAL 4-INPUT POSITIVE-NAND SCHMITT TRIGGERS	0.8 V	16.5 ns	SN5413	J, W	SN7413	J, N	5-9
	0.8 V	16.5 ns	SN54LS13	J, W	SN74LS13	J, N	

# SSI FUNCTIONS

## FUNCTIONAL INDEX/SELECTION GUIDE

### BUFFERS/CLOCK DRIVERS WITH TOTEM-POLE OUTPUTS (ALSO SEE 3-STATE BUFFERS AND DRIVERS ON PAGE 1-13)

#### ELECTRICAL TABLES – PAGE 6-20

DESCRIPTION	LOW-LEVEL OUTPUT CURRENT	HIGH-LEVEL OUTPUT CURRENT	TYPICAL DELAY TIME	TYP POWER PER GATE	DEVICE TYPE AND PACKAGE			PIN ASSIGNMENTS PAGE NO.	
					–55°C to 125°C		0°C to 70°C		
QUADRUPLE 2-INPUT POSITIVE-NOR BUFFERS	48 mA	–2.4 mA	7 ns	28 mW	SN5428	J, W	SN7428	J, N	5-12
	24 mA	–1.2 mA	12 ns	5.5 mW			SN74LS28	J, N	
	12 mA	–1.2 mA	12 ns	5.5 mW	SN54LS28	J, W			
QUADRUPLE 2-INPUT POSITIVE-NAND BUFFERS	60 mA	–3 mA	4 ns	41 mW	SN54S37	J, W	SN74S37	J, N	5-13
	48 mA	–1.2 mA	10.5 ns	27 mW	SN5437	J, W	SN7437	J, N	
	24 mA	–1.2 mA	12 ns	4.3 mW			SN74LS37	J, N	
	12 mA	–1.2 mA	12 ns	4.3 mW	SN54LS37	J, W			
DUAL 4-INPUT POSITIVE-NAND BUFFERS	60 mA	–3 mA	4 ns	44 mW	SN54S40	J, W	SN74S40	J, N	5-14
	60 mA	–1.5 mA	7.5 ns	44 mW	SN54H40	J, W	SN74H40	J, N	
	48 mA	–1.2 mA	10.5 ns	26 mW	SN5440	J, W	SN7440	J, N	
	24 mA	–1.2 mA	12 ns	4.3 mW			SN74LS40	J, N	
	12 mA	–1.2 mA	12 ns	4.3 mW	SN54LS40	J, W			

#### 50-OHM/75-OHM LINE DRIVERS

#### ELECTRICAL TABLES – PAGE 6-22

DESCRIPTION	LOW-LEVEL OUTPUT CURRENT	HIGH-LEVEL OUTPUT CURRENT	TYPICAL DELAY TIME	TYP POWER PER GATE	DEVICE TYPE AND PACKAGE			PIN ASSIGNMENTS PAGE NO.	
					–55°C to 125°C		0°C to 70°C		
DUAL 4-INPUT POSITIVE-NAND LINE DRIVERS	60 mA	–40 mA	4 ns	44 mW	SN54S140	J, W	SN74S140	J, N	5-39
QUADRUPLE 2-INPUT POSITIVE-NOR LINE DRIVERS	48 mA	–42.4 mA	7 ns	28 mW			SN74128	J, N	5-37
	48 mA	–29 mA	7 ns	28 mW	SN54128	J, W			

#### BUFFER AND INTERFACE GATES WITH OPEN-COLLECTOR OUTPUTS

#### ELECTRICAL TABLES – PAGES 6-24 AND 6-26

DESCRIPTION	HIGH-LEVEL OUTPUT VOLTAGE	LOW-LEVEL OUTPUT CURRENT	TYPICAL DELAY TIME	TYP POWER PER GATE	DEVICE TYPE AND PACKAGE			PIN ASSIGNMENTS PAGE NO.	
					–55°C to 125°C		0°C to 70°C		
HEX BUFFERS/DRIVERS	30 V	40 mA	13 ns	21 mW			SN7407	J, N	5-8
	30 V	30 mA	13 ns	21 mW	SN5407	J, W			5-8
	15 V	40 mA	13 ns	21 mW			SN7417	J, N	5-10
	15 V	30 mA	13 ns	21 mW	SN5417	J, W			5-10
HEX INVERTER BUFFERS/DRIVERS	30 V	40 mA	12.5 ns	26 mW			SN7406	J, N	5-7
	30 V	30 mA	12.5 ns	26 mW	SN5406	J, W			5-7
	15 V	40 mA	12.5 ns	26 mW			SN7416	J, N	5-10
	15 V	30 mA	12.5 ns	26 mW	SN5416	J, W			5-10
QUADRUPLE 2-INPUT POSITIVE-NAND BUFFERS	15 V	16 mA	13.5 ns	10 mW	SN5426	J	SN7426	J, N	5-12
	15 V	8 mA	16 ns	2 mW			SN74LS26	J, N	5-12
	15 V	4 mA	16 ns	2 mW	SN54LS26	J, W			5-12
	5.5 V	60 mA	6.5 ns	41 mW	SN54S38	J, W	SN74S38	J, N	5-13
	5.5 V	48 mA	12.5 ns	24.4 mW	SN5438	J, W	SN7438	J, N	5-13
QUADRUPLE 2-INPUT POSITIVE- NOR BUFFERS	5.5 V	24 mA	19 ns	4.3 mW			SN74LS38	J, N	5-13
	5.5 V	12 mA	19 ns	4.3 mW	SN54LS38	J, W			5-13
	5.5 V	48 mA	11 ns	28 mW	SN5433	J, W	SN7433	J, N	5-13
5.5 V	24 mA	19 ns	5.45 mW			SN74LS33	J, N		
	5.5 V	12 mA	19 ns	5.45 mW	SN54LS33	J, W			

# MSI/LSI FUNCTIONS FUNCTIONAL INDEX/SELECTION GUIDE

## GATES, BUFFERS, DRIVERS, AND BUS TRANSCEIVERS WITH 3-STATE OUTPUTS

DESCRIPTION	TYPICAL PROPAGATION DELAY TIME	MAXIMUM SOURCE CURRENT	MAXIMUM SINK CURRENT	DEVICE TYPE AND PACKAGE				PIN ASSIGNMENTS PAGE NO.	ELECTRICAL CHARACTERISTICS PAGE NO.
				-55°C to 125°C		0°C to 70°C			
12-INPUT NAND GATE	4.5 ns 4.5 ns	-6.5 mA -2 mA	20 mA 20 mA	SN54S134	J, W	SN74S134	J, N	5-38	6-33
QUADRUPLE BUS BUFFERS/DRIVERS WITH INDEPENDENT OUTPUT CONTROLS	8 ns	-2.6 mA	24 mA	SN54LS125A	J, W	SN74LS125A	J, N	5-37	6-33
	8 ns	-1 mA	12 mA			SN74LS126A	J, N	5-37	
	8.5 ns	-2.6 mA	24 mA	SN54LS126A	J, W	SN74LS125	J, N	5-37	
	8.5 ns	-1 mA	12 mA			SN74125	J, N	5-37	
	10 ns	-5.2 mA	16 mA	SN54125	J, W	SN74126	J, N	5-37	
	10 ns	-2 mA	16 mA	SN54126	J, W	SN74425	J, N	5-74	
	10 ns	-5.2 mA	16 mA	SN54126	J, W	SN74425	J, N	5-74	
	10 ns	-2 mA	16 mA	SN54425	J, W	SN74426	J, N	5-74	
	10 ns	-5.2 mA	16 mA	SN54425	J, W	SN74426	J, N	5-75	
	10 ns	-2 mA	16 mA	SN54426	J, W	SN74426	J, N	5-75	
	10 ns	-2 mA	16 mA	SN54426	J, W	SN74426	J, N	5-75	
HEX BUS BUFFERS/DRIVERS	9.5 ns	-2.6 mA	24 mA	SN54LS365A	J, W	SN74LS365A	J, N	5-68	6-36
	9.5 ns	-1 mA	12 mA			SN74LS366A	J, N	5-68	
	9.5 ns	-2.6 mA	24 mA	SN54LS366A	J, W	SN74LS366A	J, N	5-68	
	9.5 ns	-1 mA	12 mA			SN74LS367A	J, N	5-69	
	9.5 ns	-2.6 mA	24 mA	SN54LS367A	J, W	SN74LS367A	J, N	5-69	
	9.5 ns	-1 mA	12 mA			SN74LS368A	J, N	5-69	
	9.5 ns	-2.6 mA	24 mA	SN54LS368A	J, W	SN74LS368A	J, N	5-69	
	9.5 ns	-1 mA	12 mA			SN74366A	J, N	5-68	
	11 ns	-5.2 mA	32 mA	SN54366A	J, W	SN74368A	J, N	5-69	
	11 ns	-2 mA	32 mA	SN54368A	J, W	SN74365A	J, N	5-68	
	11 ns	-5.2 mA	32 mA	SN54368A	J, W	SN74365A	J, N	5-68	
	11 ns	-2 mA	32 mA	SN54365A	J, W	SN74367A	J, N	5-69	
	12 ns	-5.2 mA	32 mA	SN54367A	J, W	SN74367A	J, N	5-69	
	12 ns	-2 mA	32 mA	SN54367A	J, W	SN74367A	J, N	5-69	
12 ns	-5.2 mA	32 mA	SN54367A	J, W	SN74367A	J, N	5-69		
12 ns	-2 mA	32 mA	SN54367A	J, W	SN74367A	J, N	5-69		
OCTAL BUS BUFFERS/DRIVERS	5 ns	-15 mA	64 mA	SN54S240	J	SN74S240	J, N	5-54	6-83
	5 ns	-12 mA	48 mA	SN54S240	J	SN74S241	J, N	5-55	
	5 ns	-15 mA	64 mA	SN54S241	J	SN74LS240	J, N	5-54	
	5 ns	-12 mA	48 mA			SN74LS241	J, N	5-55	
	10 ns	-15 mA	24 mA	SN54LS240	J	SN74LS241	J, N	5-55	
	10 ns	-12 mA	12 mA	SN54LS241	J	SN74LS244	J, N	5-55	
	10 ns	-15 mA	24 mA	SN54LS241	J	SN74LS244	J, N	5-55	
	10 ns	-12 mA	12 mA	SN54LS244	J	SN74LS244	J, N	5-55	
	10 ns	-12 mA	12 mA	SN54LS244	J	SN74LS244	J, N	5-55	
CONTROLLER AND BUS DRIVER FOR 8080A SYSTEMS (MSI)		-1 mA	10 mA			SN74S428	N	7-514	7-514
		-1 mA	10 mA			SN74S438	N		
QUADRUPLE TRANSCEIVERS	11 ns	-15 mA	24 mA	SN54LS242	J, W	SN74LS242	J, N	5-55	6-87
	11 ns	-12 mA	12 mA			SN74LS243	J, N		
	12 ns	-15 mA	24 mA	SN54LS243	J, W				
QUADRUPLE TRANSCEIVERS WITH STORAGE (MSI)	10 ns	-10.3 mA	20 mA	SN54S226	J, W	SN74S226	J, N	7-345	7-345
	10 ns	-6.5 mA	20 mA	SN54S226	J, W	SN74S226	J, N	7-345	7-345
OCTAL TRANSCEIVERS (MSI)	12 ns	-15 mA	24 mA	SN54LS245	J	SN74LS245	J, N	7-349	7-349
	12 ns	-12 mA	12 mA			SN74LS245	J, N		

# SSI FUNCTIONS

## FUNCTIONAL INDEX/SELECTION GUIDE

### POSITIVE-OR GATES WITH TOTEM-POLE OUTPUTS

#### ELECTRICAL TABLES – PAGE 6-28

DESCRIPTION	TYPICAL PROPAGATION DELAY TIME	TYP POWER DISSIPATION PER GATE	DEVICE TYPE AND PACKAGE				PIN ASSIGNMENTS PAGE NO.
			-55°C to 125°C		0°C to 70°C		
QUADRUPLE 2-INPUT POSITIVE-OR GATES	4 ns	35 mW	SN54S32	J, W	SN74S32	J, N	5-13
	12 ns	24 mW	SN5432	J, W	SN7432	J, N	
	12 ns	5 mW	SN54LS32	J, W	SN74LS32	J, N	

### AND-OR-INVERT GATES WITH TOTEM-POLE OUTPUTS

#### ELECTRICAL TABLES – PAGE 6-30

DESCRIPTION	TYPICAL PROPAGATION DELAY TIME	TYP POWER DISSIPATION PER GATE	DEVICE TYPE AND PACKAGE				PIN ASSIGNMENTS PAGE NO.
			-55°C to 125°C		0°C to 70°C		
2-WIDE 4-INPUT	12.5 ns	2.75 mW	SN54LS55	J, W	SN74LS55	J, N	5-19
	43 ns	1.5 mW	SN54L55	J, T	SN74L55	J, N	
4-WIDE 4-2-3-2-INPUT	3.5 ns	29 mW	SN54S64	J, W	SN74S64	J, N	5-20
4-WIDE 2-2-3-2-INPUT	6.6 ns	41 mW	SN54H54	J, W	SN74H54	J, N	5-18
4-WIDE 2-INPUT	10.5 ns	23 mW	SN5454	J, W	SN7454	J, N	5-18
4-WIDE 2-3-3-2-INPUT	12.5 ns	4.5 mW	SN54LS54	J, W	SN74LS54	J, N	5-18
4-WIDE 2-3-3-2-INPUT	43 ns	1.5 mW	SN54L54	J, T	SN74L54	J, N	5-18
DUAL 2-WIDE 2-INPUT	3.5 ns	28 mW	SN54S51	J, W	SN74S51	J, N	5-16
	6.5 ns	29 mW	SN54H51	J, W	SN74H51	J, N	
	10.5 ns	14 mW	SN5451	J, W	SN7451	J, N	
	12.5 ns	2.75 mW	SN54LS51	J, W	SN74LS51	J, N	
	43 ns	1.5 mW	SN54L51	J, T	SN74L51	J, N	

### AND-OR-INVERT GATES WITH OPEN-COLLECTOR OUTPUTS

#### ELECTRICAL TABLES – PAGE 6-32

DESCRIPTION	TYPICAL PROPAGATION DELAY TIME	TYP POWER DISSIPATION PER GATE	DEVICE TYPE AND PACKAGE				PIN ASSIGNMENTS PAGE NO.
			-55°C to 125°C		0°C to 70°C		
4-WIDE 4-2-3-2-INPUT	5.5 ns	36 mW	SN54S65	J, W	SN74S65	J, N	5-20

### EXPANDABLE GATES

#### ELECTRICAL TABLE – PAGE 6-39

DESCRIPTION	TYPICAL PROPAGATION DELAY TIME	TYP POWER DISSIPATION PER GATE	DEVICE TYPE AND PACKAGE				PIN ASSIGNMENTS PAGE NO.
			-55°C to 125°C		0°C to 70°C		
DUAL 4-INPUT POSITIVE-NOR GATES WITH STROBE	10.5 ns	23 mW	SN5423	J, W	SN7423	J, N	5-11
4-WIDE AND-OR GATES	9.9 ns	88 mW	SN54H52	J, W	SN74H52	J, N	5-17
4-WIDE AND-OR-INVERT GATES	6.6 ns	41 mW	SN54H53	J, W	SN74H53	J, N	5-17
	10.5 ns	23 mW	SN5453	J, W	SN7453	J, N	
2-WIDE AND-OR-INVERT GATES	6.8 ns	30 mW	SN54H55	J, W	SN74H55	J, N	5-19
DUAL 2-WIDE AND-OR-INVERT GATES	6.5 ns	29 mW	SN54H50	J, W	SN74H50	J, N	5-16
	10.5 ns	14 mW	SN5450	J, W	SN7450	J, N	

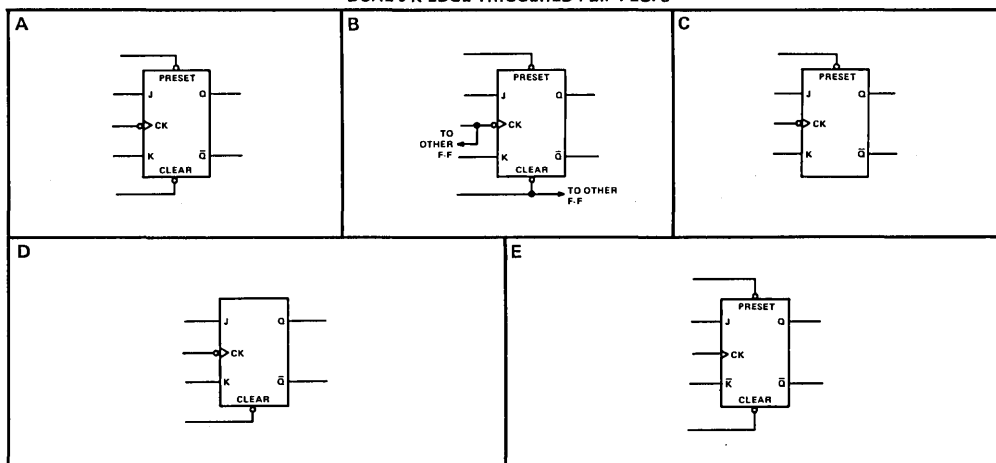
### EXPANDERS

#### ELECTRICAL TABLES – PAGES 6-43, 6-44, AND 6-45

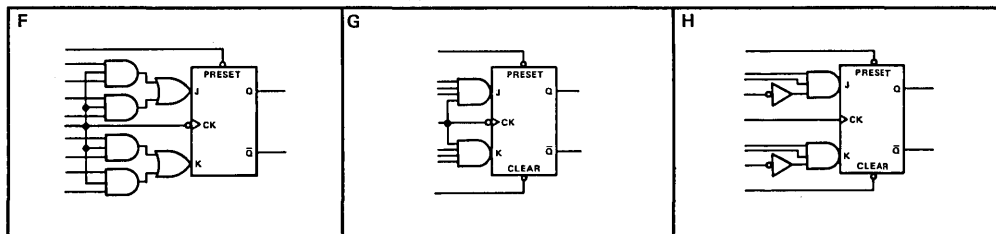
DESCRIPTION	TYP POWER DISSIPATION PER GATE	DEVICE TYPE AND PACKAGE				PIN ASSIGNMENTS PAGE NO.
		-55°C to 125°C		0°C to 70°C		
DUAL 4-INPUT EXPANDERS	4 mW	SN5460	J, W	SN7460	J, N	5-19
	6 mW	SN54H60	J, W	SN74H60	J, N	
TRIPLE 3-INPUT EXPANDERS	13 mW	SN54H61	J, W	SN74H61	J, N	5-19
3-2-3-INPUT AND-OR EXPANDERS	25 mW	SN54H62	J, W	SN74H62	J, N	5-20

# SSI FUNCTIONS FUNCTIONAL INDEX/SELECTION GUIDE

## DUAL J-K EDGE-TRIGGERED FLIP-FLOPS



## SINGLE J-K EDGE-TRIGGERED FLIP-FLOPS



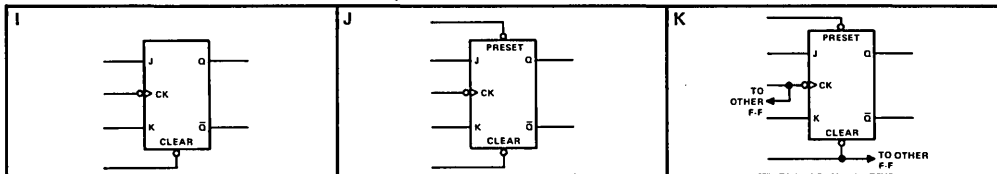
DWG REF.	TYPICAL CHARACTERISTICS		DATA TIMES		DEVICE TYPE AND PACKAGE				PAGE REFERENCES			
					f <sub>max</sub> (MHz)	Pwr/F-F (mW)	SETUP (ns)	HOLD (ns)	-55° C to 125° C		0° C to 70° C	
									ASSIGNMENTS		ELECTRICAL	
A	125	75	3↓	0↓	SN54S112	J, W	SN74S112	J, N	5-34	6-58		
	50	100	13↓	0↓	SN54H106	J, W	SN74H106	J, N	5-32	6-52		
	45	10	20↓	0↓	SN54LS76A	J, W	SN74LS76A	J, N	5-23	6-58		
	45	10	20↓	0↓	SN54LS112A	J, W	SN74LS112A	J, N	5-34	6-56		
B	125	75	3↓	0↓	SN54S114	J, W	SN74S114	J, N	5-34	6-58		
	50	100	13↓	0↓	SN54H108	J, W	SN74H108	J, N	5-32	6-52		
	45	10	20↓	0↓	SN54LS78A	J, W	SN74LS78A	J, N	5-24	6-56		
	45	10	20↓	0↓	SN54LS114A	J, W	SN74LS114A	J, N	5-34	6-56		
C	125	75	3↓	0↓	SN54S113	J, W	SN74S113	J, N	5-34	6-58		
	45	10	20↓	0↓	SN54LS113A	J, W	SN74LS113A	J, N	5-34	6-56		
D	50	100	13↓	0↓	SN54H103	J, W	SN74H103	J, N	5-31	6-52		
	45	10	20↓	0↓	SN54LS73A	J, W	SN74LS73A	J, N	5-22	6-56		
	45	10	20↓	0↓	SN54LS107A	J	SN74LS107A	J, N	5-32	6-56		
E	33	10	20↓	5↓	SN54LS109A	J, W	SN74LS109A	J, N	5-33	6-56		
	33	45	10↓	6↓	SN54109	J, W	SN74109	J, N	5-33	6-46		
F	50	100	13↓	0↓	SN54H101	J, W	SN74H101	J, N	5-31	6-52		
G	50	100	13↓	0↓	SN54H102	J, W	SN74H102	J, N	5-31	6-52		
H	35	65	20↓	5↓	SN5470	J, W	SN7470	J, N	5-21	6-46		

↑↓ The arrow indicates the edge of the clock pulse used for reference: ↑ for the rising edge, ↓ for the falling edge.

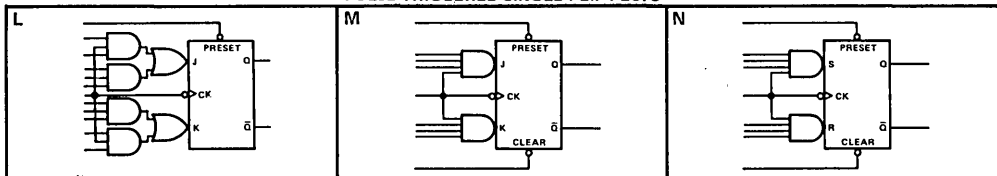
# SSI FUNCTIONS

## FUNCTIONAL INDEX/SELECTION GUIDE

### PULSE-TRIGGERED DUAL FLIP-FLOPS

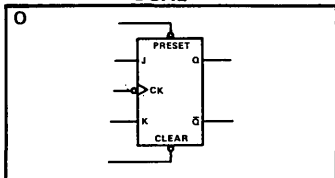


### PULSE-TRIGGERED SINGLE FLIP-FLOPS

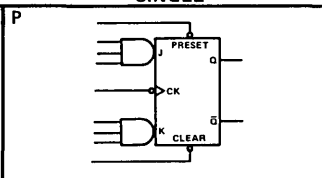


DWG. REF.	TYPICAL CHARACTERISTICS		DATA TIMES		DEVICE TYPE AND PACKAGE				PAGE REFERENCES	
	f <sub>max</sub> (MHz)	P <sub>wr</sub> /F-F (mW)	SETUP (ns)	HOLD (ns)	-55°C to 125°C		0°C to 70°C		PIN ASSIGNMENTS	ELECTRICAL
I	30	80	0†	0†	SN54H73	J, W	SN74H73	J, N	5-22	6-50
	20	50	0†	0†	SN5473	J, W	SN7473	J, N	5-22	6-46
	20	50	0†	0†	SN54107	J	SN74107	J, N	5-32	6-46
	3	3.8	0†	0†	SN54L73	J, T	SN74L73	J, N	5-22	6-54
J	30	80	0†	0†	SN54H76	J, W	SN74H76	J, N	5-23	6-50
	20	50	0†	0†	SN5476	J, W	SN7476	J, N	5-23	6-46
K	30	80	0†	0†	SN54H78	J, W	SN74H78	J, N	5-24	6-50
	3	3.8	0†	0†	SN54L78	J, T	SN74L78	J, N	5-24	6-54
L	30	80	0†	0†	SN54H71	J, W	SN74H71	J, N	5-21	6-50
M	30	80	0†	0†	SN54H72	J, W	SN74H72	J, N	5-22	6-50
	20	50	0†	0†	SN5472	J, W	SN7472	J, N	5-22	6-46
	3	3.8	0†	0†	SN54L72	J, T	SN74L72	J, N	5-22	6-54
N	3	3.8	0†	0†	SN54L71	J, T	SN74L71	J, N	5-21	6-54

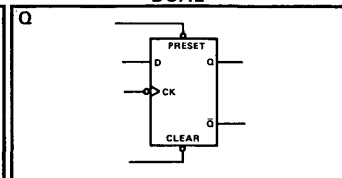
### J-K FLIP-FLOPS WITH DATA LOCKOUT DUAL



### SINGLE



### D-TYPE FLIP-FLOPS DUAL



DWG. REF.	TYPICAL CHARACTERISTICS		DATA TIMES		DEVICE TYPE AND PACKAGE				PAGE REFERENCES	
	f <sub>max</sub> (MHz)	P <sub>wr</sub> /F-F (mW)	SETUP (ns)	HOLD (ns)	-55°C to 125°C		0°C to 70°C		PIN ASSIGNMENTS	ELECTRICAL
O	25	70	0†	30†	SN54111	J, W	SN74111	J, N	5-33	6-46
P	25	100	20†	5†	SN54110	J, W	SN74110	J, N	5-33	6-46
Q	110	75	3†	2†	SN54S74	J, W	SN74S74	J, N	5-22	6-58
	43	75	15†	5†	SN54H74	J, W	SN74H74	J, N	5-22	6-50
	33	10	25†	5†	SN54LS74A	J, W	SN74LS74A	J, N	5-22	6-56
	25	43	20†	5†	SN5474	J, W	SN7474	J, N	5-22	6-46
	3	4	50†	15†	SN54L74	J, T	SN74L74	J, N	5-22	6-54

† The arrow indicates the edge of the clock pulse used for reference: † for the rising edge, ‡ for the falling edge.

# SSI FUNCTIONS FUNCTIONAL INDEX/SELECTION GUIDE

## S-R LATCHES

### ELECTRICAL TABLES – PAGE 6-60

DESCRIPTION	TYPICAL PROPAGATION DELAY TIME	TYP TOTAL POWER DISSIPATION	DEVICE TYPE AND PACKAGE				PIN ASSIGNMENTS PAGE NO.
			–55°C to 125°C		0°C to 70°C		
QUADRUPLE S-R LATCHES	12 ns	19 mW	SN54LS279	J, W	SN74LS279	J, N	5-60
	12 ns	90 mW	SN54279	J, W	SN74279	J, N	

## CURRENT-SENSING-GATES

### ELECTRICAL TABLES – PAGE 6-62

DESCRIPTION	TYPICAL PROPAGATION DELAY TIME	TYP POWER DISSIPATION PER GATE	DEVICE TYPE AND PACKAGES				PIN ASSIGNMENTS PAGE NO.
			–55°C to 125°C		0°C to 70°C		
HEX	21 ns	3.3 mW	SN54LS63	J, W	SN74LS63	J, N	5-20

## MONOSTABLE MULTIVIBRATORS WITH SCHMITT-TRIGGER INPUTS

### ELECTRICAL TABLES – PAGES 6-64 AND 6-68

DESCRIPTION	NO. OF INPUTS		OUTPUT PULSE RANGE	TYP TOTAL POWER DISSIPATION	DEVICE TYPE AND PACKAGE				PIN ASSIGNMENTS PAGE NO.
	POSITIVE	NEGATIVE			–55°C to 125°C		0°C to 70°C		
SINGLE	1	2	40 ns–28 s	90 mW	SN54121	J, W	SN74121	J, N	5-35
	1	2	40 ns–28 s	40 mW	SN54121	J, T	SN74L121	J, N	
DUAL	1	1	20 ns–70 s	23 mW	SN54LS221	J, W	SN74LS221	J, N	5-54
	1	1	20 ns–49 s	23 mW					
	1	1	20 ns–28 s	130 mW	SN54221	J, W	SN74221	J, N	
	1	1	20 ns–21 s	130 mW					

## RETRIGGERABLE MONOSTABLE MULTIVIBRATORS

### ELECTRICAL TABLES – PAGE 6-76

DESCRIPTION	NO. OF INPUTS		DIRECT CLEAR	OUTPUT PULSE RANGE	TYP TOTAL POWER	DEVICE TYPE AND PACKAGE				PIN ASSIGNMENTS PAGE NO.
	POSITIVE	NEGATIVE				–55°C to 125°C		0°C to 70°C		
SINGLE	2	2	Yes	45 ns–∞	115 mW	SN54122	J, W	SN74122	J, N	5-36
	2	2	Yes	90 ns–∞	55 mW	SN54122	J, T	SN74L122	J, N	
	2	2	Yes	45 ns–∞	30 mW	SN54LS122	J, W	SN74LS122	J, N	
DUAL	1	1	Yes	45 ns–∞	230 mW	SN54123	J, W	SN74123	J, N	5-36
	1	1	Yes	90 ns–∞	115 mW	SN54L123	J	SN74L123	J, N	
	1	1	Yes	45 ns–∞	60 mW	SN54LS123	J, W	SN74LS123	J, N	

## CLOCK GENERATOR CIRCUITS

### ELECTRICAL TABLES – PAGES 6-89 AND 7-123

DESCRIPTION	TYP TOTAL POWER DISSIPATION	DEVICE TYPE AND PACKAGE				PIN ASSIGNMENTS PAGE NO.
		–55°C to 125°C		0°C to 70°C		
QUADRUPLE COMPLEMENTARY-OUTPUT LOGIC ELEMENTS	125 mW	SN54265	J, W	SN74265	J, N	5-58
DUAL VOLTAGE-CONTROLLED OSCILLATORS (MSI)	525 mW	SN54S124	J, W	SN74S124	J, N	7-123



# MSI/LSI FUNCTIONS

## FUNCTIONAL INDEX/SELECTION GUIDE

### ADDERS

DESCRIPTION	TYPICAL CARRY TIME	TYPICAL ADD TIME	TYP POWER DISSIPATION PER BIT	DEVICE TYPE AND PACKAGE				PAGE NO.
				-55°C to 125°C		0°C to 70°C		
				Part No.	Package	Part No.	Package	
SINGLE 1-BIT GATED FULL ADDERS	10.5 ns	52 ns	105 mW	SN5480	J, W	SN7480	J, N	7-41
SINGLE 2-BIT FULL ADDERS	14.5 ns	25 ns	87 mW	SN5482	J, W	SN7482	J, N	7-49
SINGLE 4-BIT FULL ADDERS	10 ns	15 ns	24 mW	SN54LS83A	J, W	SN74LS83A	J, N	7-53
	10 ns	15 ns	24 mW	SN54LS283	J, W	SN74LS283	J, N	7-415
	11 ns	7 ns	124 mW	SN54S283	J	SN74S283	J, N	7-415
	10 ns	16 ns	76 mW	SN5483A	J, W	SN7483A	J, N	7-53
	10 ns	16 ns	76 mW	SN54283	J, W	SN74283	J, N	7-415
DUAL 1-BIT CARRY-SAVE FULL ADDERS	11 ns	11 ns	110 mW	SN54H183	J, W	SN74H183	J, N	7-287
	15 ns	15 ns	23 mW	SN54LS183	J, W	SN74LS183	J, N	7-287

### ACCUMULATORS, ARITHMETIC LOGIC UNITS, LOOK-AHEAD CARRY GENERATORS

DESCRIPTION	TYPICAL CARRY TIME	TYPICAL ADD TIME	TYP TOTAL POWER DISSIPATION	DEVICE TYPE AND PACKAGE				PAGE NO.
				-55°C to 125°C		0°C to 70°C		
				Part No.	Package	Part No.	Package	
4-BIT PARALLEL BINARY ACCUMULATORS	10 ns	20 ns	720 mW	SN54S281	J, W	SN74S281	J, N	7-410
4-BIT ARITHMETIC LOGIC UNITS/ FUNCTION GENERATORS	11 ns	20 ns	525 mW			SN74S381	N	7-484
	7 ns	11 ns	600 mW	SN54S181	J, W	SN74S181	J, N	7-271
	12.5 ns	24 ns	455 mW	SN54181	J, W	SN74181	J, N	7-271
	16 ns	24 ns	102 mW	SN54LS181	J, W	SN74LS181	J, N	7-271
LOOK-AHEAD CARRY GENERATORS	7 ns		260 mW	SN54S182	J, W	SN74S182	J, N	7-282
	13 ns		180 mW	SN54182	J, W	SN74182	J, N	

### MULTIPLIERS

DESCRIPTION	DEVICE TYPE AND PACKAGE				PAGE NO.
	-55°C to 125°C		0°C to 70°C		
	Part No.	Package	Part No.	Package	
2-BIT-BY-4-BIT PARALLEL BINARY MULTIPLIERS	SN54LS261	J, W	SN74LS261	J, N	7-380
4-BIT-BY-4-BIT PARALLEL BINARY MULTIPLIERS	SN54284, SN54285	J, W	SN74284, SN74285	J, N	7-420
	SN54S274	J	SN74S274	J, N	7-391
7-BIT-SLICE WALLACE TREES	SN54LS275	J	SN74LS275	J, N	7-391
	SN54S275	J	SN74S275	J, N	
25-MHz 6-BIT-BINARY RATE MULTIPLIERS	SN5497	J, W	SN7497	J, N	7-102
25-MHz DECADE RATE MULTIPLIERS	SN54167	J, W	SN74167	J, N	7-222

### COMPARATORS

DESCRIPTION	TYPICAL COMPARE TIME	TYP TOTAL POWER DISSIPATION	DEVICE TYPE AND PACKAGE				PAGE NO.
			-55°C to 125°C		0°C to 70°C		
			Part No.	Package	Part No.	Package	
4-BIT MAGNITUDE COMPARATORS	11.5 ns	365 mW	SN54S85	J, W	SN74S85	J, N	7-57
	21 ns	275 mW	SN5485	J, W	SN7485	J, N	
	23.5 ns	52 mW	SN54LS85	J, W	SN74LS85	J, N	
	82 ns	20 mW	SN54L85	J	SN74L85	J, N	

# MSI/LSI FUNCTIONS FUNCTIONAL INDEX/SELECTION GUIDE

## PARITY GENERATORS/CHECKERS

DESCRIPTION	TYPICAL DELAY TIME	TYP TOTAL POWER DISSIPATION	DEVICE TYPE				PAGE NO.
			-55°C to 125°C		0°C to 70°C		
9-BIT ODD/EVEN PARITY GENERATORS/CHECKERS	31 ns	80 mW	SN54LS280	J, W	SN74LS280	J, N	7-406
	13 ns	335 mW	SN54S280	J, W	SN74S280	J, N	
8-BIT ODD/EVEN PARITY GENERATORS/CHECKERS	35 ns	170 mW	SN54180	J, W	SN74180	J, N	7-269

## OTHER ARITHMETIC OPERATORS

DESCRIPTION	TYPICAL DELAY TIME	TYP TOTAL POWER DISSIPATION	DEVICE TYPE AND PACKAGE				PAGE NO.
			-55°C to 125°C		0°C to 70°C		
QUADRUPLE 2-INPUT EXCLUSIVE-OR GATES WITH TOTEM-POLE OUTPUTS	7 ns	250 mW	SN54S86	J, W	SN74S86	J, N	7-65
	10 ns	30 mW	SN54LS86	J, W	SN74LS86	J, N	7-65
	10 ns	30 mW	SN54LS386	J, W	SN74LS386	J, N	7-487
	14 ns	150 mW	SN5486	J, W	SN7486	J, N	7-65
	55 ns	15 mW	SN54L86	J, T	SN74L86	J, N	7-65
QUADRUPLE 2-INPUT EXCLUSIVE-OR GATES WITH OPEN-COLLECTOR OUTPUTS	18 ns	30 mW	SN54LS136	J, W	SN74LS136	J, N	7-131
	27 ns	150 mW	SN54136	J, W	SN74136	J, N	
QUADRUPLE 2-INPUT EXCLUSIVE-NOR GATES	18 ns	40 mW	SN54LS266	J, W	SN74LS266	J, N	7-386
QUADRUPLE EXCLUSIVE OR/NOR GATES	8 ns	325 mW	SN54S135	J, W	SN74S135	J, N	7-129
4-BIT TRUE/COMPLEMENT, ZERO/ONE ELEMENT	14 ns	270 mW	SN54H87	J, W	SN74H87	J, N	7-70

## QUAD, HEX, AND OCTAL FLIP-FLOPS

DESCRIPTION	F-F PER PKG	FREQ	POWER PER FLIP-FLOP	DATA TIMES		DEVICE TYPE AND PACKAGE				PAGE NO.
				SETUP ns	HOLD ns	-55°C to 125°C		0°C to 70°C		
D TYPE 3-STATE WITH ENABLE	8	50 MHz	17 mW	20†	0†	SN54LS374	J	SN74LS374	J, N	7-471
		100 MHz	56 mW	5†	2†	SN54S374	J	SN74S374	J, N	7-471
D TYPE WITH ENABLE	8	40 MHz	10.6 mW	20†	5†	SN54LS377	J	SN74LS377	J, N	7-481
	6	40 MHz	10.6 mW	20†	5†	SN54LS378	J, W	SN74LS378	J, N	7-481
	4	40 MHz	10.6 mW	20†	5†	SN54LS379	J	SN74LS379	J, N	7-481
D TYPE WITH CLEAR	8	40 MHz	39 mW	20†	5†	SN54273	J	SN74273	J, N,	7-388
		40 MHz	10.6 mW	20†	5†	SN54LS273	J	SN74LS273	J, N	
	6	35 MHz	38 mW	20†	5†	SN54174	J, W	SN74174	J, N	7-253
		40 MHz	10.6 mW	20†	5†	SN54LS174	J, W	SN74LS174	J, N	
		110 MHz	75 mW	5†	3†	SN54S174	J, W	SN74S174	J, N	
	4	35 MHz	38 mW	20†	5†	SN54175	J, W	SN74175	J, N	7-253
		40 MHz	10.6 mW	20†	5†	SN54LS175	J, W	SN74LS175	J, N	
110 MHz	75 mW	5†	3†	SN54S175	J, W	SN74S175	J, N			
J-K TYPE WITH SEPARATE CLOCK	4	50 MHz	75 mW	3†	10†	SN54276	J	SN74276	J, N	7-401
J-K TYPE WITH COMMON CLOCK	4	45 MHz	65 mW	0†	20†	SN54376	J, W	SN74376	J, N	7-479

## REGISTER FILES

DESCRIPTION	TYPICAL ADDRESS TIME	TYP READ ENABLE TIME	DATA INPUT RATE	TYP TOTAL POWER DISSIPATION	DEVICE TYPE AND PACKAGE				PAGE NO.
					-55°C to 125°C		0°C to 70°C		
EIGHT WORDS OF TWO BITS	33 ns	15 ns	20 MHz	560 mW			SN74172	J, N	7-245
FOUR WORDS OF FOUR BITS	27 ns	15 ns	20 MHz	125 mW	SN54LS170	J, W	SN74LS170	J, N	7-237
	30 ns	15 ns	20 MHz	635 mW	SN54170	J, W	SN74170	J, N	
FOUR WORDS OF FOUR BITS (3-STATE OUTPUTS)	24 ns	19 ns	20 MHz	135 mW	SN54LS670	J, W	SN74LS670	J, N	7-526

# MSI/LSI FUNCTIONS FUNCTIONAL INDEX/SELECTION GUIDE

## SHIFT REGISTERS

DESCRIPTION	NO. OF BITS	SHIFT FREQ	SERIAL DATA INPUT	ASYNC CLEAR	MODES			TYP TOTAL POWER DISSIPATION	DEVICE TYPE AND PACKAGE				PAGE NO.
					S-R	S-L	LOAD HOLD		-55°C to 125°C		0°C to 70°C		
									Part No.	Package	Part No.	Package	
PARALLEL-IN, PARALLEL-OUT (BIDIRECTIONAL)	8	50 MHz	D	Low	X	X	X	750 mW	SN54S299	J, W	SN74S299	J, N	7-437
		35 MHz	D	Low	X	X	X	175 mW	SN54LS299*	J	SN74LS299*	J, N	7-437
		35 MHz	D	Sync L	X	X	X	175 mW	SN54LS323*	J	SN74LS323*	J, N	7-443
		25 MHz	D	Low	X	X	X	360 mW	SN54198	J, W	SN74198	J, N	7-338
	4	70 MHz	D	Low	X	X	X	450 mW	SN54S194	J, W	SN74S194	J, N	7-316
		25 MHz	D	Low	X	X	X	75 mW	SN54LS194A	J, W	SN74LS194A	J, N	
PARALLEL-IN, PARALLEL-OUT	8	25 MHz	J-K	Low	X	X	X	360 mW	SN54199	J, W	SN74199	J, N	7-338
		5	10 MHz	D	Low	X	X	60 mW	SN54LS96	J, W	SN74LS96	J, N	7-95
			10 MHz	D	Low	X	X	240 mW	SN5496	J, W	SN7496	J, N	
			5 MHz	D	Low	X	X	120 mW	SN54L96	J	SN74L96	J, N	
	4	70 MHz	J-K	Low	X	X	375 mW	SN54S195	J, W	SN74S195	J, N	7-324	
		30 MHz	J-K	Low	X	X	195 mW	SN54195	J, W	SN74195	J, N	7-324	
		30 MHz	D	Low	X	X	75 mW	SN54LS395A	J, W	SN74LS395A	J, N	7-496	
		25 MHz	D	None	X	X	195 mW	SN5495A	J, W	SN7495A	J, N	7-89	
		25 MHz	D	Low	X	X	230 mW	SN54179	J, W	SN74179	J, N	7-265	
		25 MHz	D	None	X	X	230 mW	SN54178	J, W	SN74178	J, N	7-265	
		30 MHz	J-K	Low	X	X	70 mW	SN54LS195A	J, W	SN74LS195A	J, N	7-324	
		30 MHz	D	None	X	X	65 mW	SN54LS95B	J, W	SN74LS95B	J, N	7-89	
		30 MHz	D	None	X	X	70 mW	SN54LS295B	J, W	SN74LS295B	J, N	7-429	
		3 MHz	J-K	None	X	X	19 mW	SN54L99	J	SN74L99	J, N	7-109	
		3 MHz	D	None	X	X	19 mW	SN54L95	J, T	SN74L95	J, N	7-89	
		SERIAL-IN, PARALLEL-OUT	8	25 MHz	Gated D	Low	X		80 mW	SN54LS164	J, W	SN74LS164	J, N
	25 MHz			Gated D	Low	X		167 mW	SN54164	J, W	SN74164	J, N	
	12 MHz			Gated D	Low	X		84 mW	SN54L164	J, T	SN74L164	J, N	
	PARALLEL-IN, SERIAL-OUT	8	25 MHz	D	None	X	X	210 mW	SN54165	J, W	SN74165	J, N	7-212
			35 MHz	D	None	X	X	105 mW	SN54LS165	J, W	SN74LS165	J, N	7-212
20 MHz			D	Low	X	X	360 mW	SN54166	J, W	SN74166	J, N	7-217	
35 MHz			D	Low	X	X	110 mW	SN54LS166	J, W	SN74LS166	J, N	7-217	
SERIAL-IN, SERIAL-OUT	8	10 MHz	D	High	X	X	175 mW	SN5494	J, W	SN7494	J, N	7-86	
		25 MHz	Gated D	None	X		60 mW	SN54LS91	J, W	SN74LS91	J, N	7-81	
		10 MHz	Gated D	None	X		175 mW	SN5491A	J, W	SN7491A	J, N		
		3 MHz	Gated D	None	X		17.5 mW	SN54L91	J, T	SN74L91	J, N		

\*S-R ≡ shift right, S-L ≡ shift left

## OTHER REGISTERS

DESCRIPTION	FREQ	ASYNC CLEAR	TYP TOTAL POWER DISSIPATION	DEVICE TYPE AND PACKAGE				PAGE NO.
				-55°C to 125°C		0°C to 70°C		
				Part No.	Package	Part No.	Package	
QUADRUPLE MULTIPLEXERS WITH STORAGE	30 MHz	None	36.5 mW	SN54LS398	J	SN74LS398	J, N	7-499
	30 MHz	None	36.5 mW	SN54LS399	J, W	SN74LS399	J, N	7-499
	25 MHz	None	65 mW	SN54LS298	J, W	SN74LS298	J, N	7-432
	25 MHz	None	195 mW	SN54298	J, W	SN74298	J, N	7-432
	3 MHz	None	25 mW	SN54L98	J	SN74L98	J, N	7-107
8-BIT UNIVERSAL SHIFT/STORAGE REGISTERS	35 MHz	Low	175 mW	SN54LS299	J	SN74LS299	J, N	7-437
	50 MHz	Low	750 mW	SN54S299	J, W	SN74S299	J, N	
QUADRUPLE BUS-BUFFER REGISTERS	25 MHz	High	250 mW	SN54173	J, W	SN74173	J, N	7-249
	50 MHz	High	85 mW	SN54LS173A	J, W	SN74LS173A	J, N	

# MSI/LSI FUNCTIONS FUNCTIONAL INDEX/SELECTION GUIDE

## LATCHES

DESCRIPTION	NO. OF BITS	CLEAR	OUTPUTS	TYPICAL DELAY TIME	TYP TOTAL POWER DISSIPATION	DEVICE TYPE AND PACKAGE				PAGE NO.
						-55°C to 125°C		0°C to 70°C		
						Part No.	Package	Part No.	Package	
MULTI-MODE BUFFERED	8	Low	Q	11 ns	410 mW	SN54S412	J	SN74S412	J, N	7-502
ADDRESSABLE	8	Low	Q	12 ns	300 mW	SN54259	J, W	SN74259	J, N	7-376
		Low	Q	17 ns	110 mW	SN54LS259	J, W	SN74LS259	J, N	
TRANSPARENT	8	None	Q	19 ns	120 mW	SN54LS373	J	SN74LS373	J, N	7-471
		None	Q	7 ns	525 mW	SN54S373	J	SN74S373	J, N	7-471
DUAL 4-BIT WITH INDEPENDENT ENABLE	8	Low	Q	11 ns	250 mW	SN54116	J, W	SN74116	J, N	7-115
		None	Q	15 ns	320 mW	SN54100	J, W	SN74100	J, N	7-113
DUAL 2-BIT WITH INDEPENDENT ENABLE	4	None	Q, $\bar{Q}$	15 ns	160 mW	SN5475	J, W	SN7475	J, N	7-35
		None	Q, $\bar{Q}$	30 ns	80 mW	SN54L75	J	SN74L75	J, N	7-35
		None	Q, $\bar{Q}$	11 ns	32 mW	SN54LS75	J, W	SN74LS75	J, N	7-35
		None	Q	15 ns	160 mW	SN5477	W			7-35
		None	Q	30 ns	80 mW	SN54L77	T			7-35
		None	Q	10 ns	35 mW	SN54LS77	W			7-35
QUAD $\bar{S}\text{-}\bar{R}$ (SSI)	4	None	Q	12 ns	90 mW	SN54279	J, W	SN74279	J, N	6-60
		None	Q	12 ns	19 mW	SN54LS279	J, W	SN74LS279	J, N	

## VOLTAGE-CONTROLLED OSCILLATORS CLOCK GENERATOR CIRCUITS

DESCRIPTION	ENABLE INPUT	COMPLEMENTARY OUTPUTS	FREQUENCY RANGE	TYPICAL POWER DISSIPATION	DEVICE TYPE AND PACKAGE				PAGE NO.
					-55°C to 125°C		0°C to 70°C		
					Part No.	Package	Part No.	Package	
SINGLE VCO	YES	YES	1 Hz to 20 MHz	100 mW	SN54LS624	J, W	SN74LS624	J, N	7-460
	YES	YES	1 Hz to 20 MHz	100 mW	SN54LS628	J, W	SN74LS628	J, N	7-460
DUAL VCO	YES	NO	1 Hz to 60 MHz	525 mW	SN54S124	J, W	SN74S124	J, N	7-123
	NO	YES	1 Hz to 20 MHz	175 mW	SN54LS625	J, W	SN74LS625	J, N	7-460
	YES	YES	1 Hz to 20 MHz	175 mW	SN54LS626	J, W	SN74LS626	J, N	7-460
	NO	NO	1 Hz to 20 MHz	175 mW	SN54LS627	J, W	SN74LS627	J, N	7-460
	YES	NO	1 Hz to 20 MHz	175 mW	SN54LS629	J, W	SN74LS629	J, N	7-460
DUAL PULSE SYNCHRONIZER	YES	YES	DC to 30 MHz	255 mW	SN54120	J, W	SN74120	J, N	7-118

## CODE CONVERTERS

DESCRIPTION	TYPICAL DELAY TIME PER PACKAGE LEVEL	TYPICAL TOTAL POWER DISSIPATION	DEVICE TYPE AND PACKAGE				PAGE NO.
			-55°C to 125°C		0°C to 70°C		
			Part No.	Package	Part No.	Package	
6-LINE-BCD TO 6-LINE BINARY, OR 4-LINE TO 4-LINE BCD 9's/BCD 10's CONVERTERS	25 ns	280 mW	SN54184	J, W	SN74184	J, N	7-290
6-BIT-BINARY TO 6-BIT-BCD CONVERTERS	25 ns	280 mW	SN54185A	J, W	SN74185A	J, N	7-290

# MSI/LSI FUNCTIONS FUNCTIONAL INDEX/SELECTION GUIDE

## PRIORITY ENCODERS/REGISTERS

DESCRIPTION	TYPICAL DELAY TIME	TYP TOTAL POWER DISSIPATION	DEVICE TYPE AND PACKAGE				PAGE NO.
			-55°C to 125°C		0°C to 70°C		
FULL BCD PRIORITY ENCODERS	10 ns	225 mW	SN54147	J, W	SN74147	J, N	7-151
	15 ns	60 mW	SN54LS147	J, W	SN74LS147	J, N	
CASCADABLE OCTAL PRIORITY ENCODERS	12 ns	190 mW	SN54148	J, W	SN74148	J, N	7-151
	15 ns	60 mW	SN54LS148	J, W	SN74LS148	J, N	
CASCADABLE OCTAL PRIORITY ENCODERS WITH 3-STATE OUTPUTS	16 ns	63 mW	SN54LS348	J, W	SN74LS348	J, N	7-448
4-BIT CASCADABLE PRIORITY REGISTERS	35 ns	275 mW	SN54278	J, W	SN74278	J, N	7-403

## DATA SELECTORS/MULTIPLEXERS

DESCRIPTION	TYPE OF OUTPUT	TYPICAL DELAY TIMES			TYP TOTAL POWER DISSIPATION	DEVICE TYPE AND PACKAGE				PAGE NO.
		DATA TO INV OUTPUT	DATA TO NON-INV OUTPUT	FROM ENABLE		-55°C to 125°C		0°C to 70°C		
16-LINE-TO-1-LINE	2-State	11 ns		18 ns	200 mW	SN54150	J, W	SN74150	J, N	7-157
DUAL 8-LINE-TO-1-LINE	3-State	10 ns		17 ns	220 mW			SN74351	N	7-451
8-LINE-TO-1-LINE	3-State	4.5 ns	8 ns	14 ns	275 mW	SN54S251	J, W	SN74S251	J, N	7-362
	3-State	17 ns	21 ns	21 ns	250 mW	SN54251	J, W	SN74251	J, N	7-362
	3-State	17 ns	21 ns	21 ns	35 mW	SN54LS251	J, W	SN74LS251	J, N	7-362
	2-State	4.5 ns	8 ns	9 ns	225 mW	SN54S151	J, W	SN74S151	J, N	7-157
	2-State	8 ns	16 ns	22 ns	145 mW	SN54151A	J, W	SN74151A	J, N	7-157
	2-State	8 ns			130 mW	SN54152A	W			7-157
	2-State	11 ns	18 ns	27 ns	30 mW	SN54LS151	J, W	SN74LS151	J, N	7-157
	2-State	11 ns		18 ns	28 mW	SN54LS152	W			7-157
DUAL 4-LINE-TO-1-LINE	3-State		12 ns	16 ns	35 mW	SN54LS253	J, W	SN74LS253	J, N	7-369
	2-State	15 ns		22 ns	31 mW	SN54LS352	J, W	SN74LS352	J, N	7-454
	3-State	12 ns		21 ns	43 mW	SN54LS353	J, W	SN74LS353	J, N	7-457
	2-State		6 ns	9.5 ns	225 mW	SN54S153	J, W	SN74S153	J, N	7-165
	2-State		14 ns	17 ns	180 mW	SN54153	J, W	SN74153	J, N	7-165
	2-State		14 ns	17 ns	31 mW	SN54LS153	J, W	SN74LS153	J, N	7-165
	2-State		27 ns	34 ns	90 mW	SN54L153	J	SN74L153	J, N	7-165
QUADRUPLE 2-LINE-TO-1-LINE WITH STORAGE	2-State		20 ns <sup>†</sup>		65 mW	SN54LS298	J, W	SN74LS298	J, N	7-432
	2-State		20 ns <sup>†</sup>		195 mW	SN54298	J, W	SN74298	J, N	7-432
	2-State	20 ns <sup>†</sup>			32 mW	SN54LS398	J	SN74LS398	J, N	7-499
	2-State		20 ns <sup>†</sup>		37 mW	SN54LS399	J, W	SN74LS399	J, N	7-499
	2-State		120 ns <sup>†</sup>		25 mW	SN54L98	J	SN74L98	J, N	7-107
QUADRUPLE 2-LINE-TO-1-LINE	3-State	4 ns		14 ns	280 mW	SN54S258	J, W	SN74S258	J, N	7-372
	3-State		5 ns	14 ns	320 mW	SN54S257	J, W	SN74S257	J, N	7-372
	2-State	4 ns		7 ns	195 mW	SN54S158	J, W	SN74S158	J, N	7-181
	2-State		5 ns	8 ns	250 mW	SN54S157	J, W	SN74S157	J, N	7-181
	3-State	12 ns		20 ns	60 mW	SN54LS258A	J, W	SN74LS258A	J, N	7-372
	3-State		12 ns	20 ns	60 mW	SN54LS257A	J, W	SN74LS257A	J, N	7-372
	2-State	7 ns		12 ns	24 mW	SN54LS158	J, W	SN74LS158	J, N	7-181
	2-State		9 ns	14 ns	49 mW	SN54LS157	J, W	SN74LS157	J, N	7-181
	2-State		9 ns	14 ns	150 mW	SN54157	J, W	SN74157	J, N	7-181
	2-State		18 ns	27 ns	75 mW	SN54L157	J	SN74L157	J, N	7-181

<sup>†</sup>From clock.

## MSI/LSI FUNCTIONS FUNCTIONAL INDEX/SELECTION GUIDE

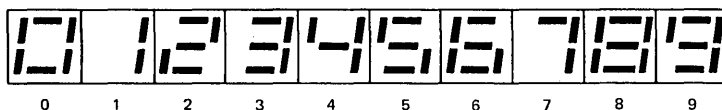
### DECODERS/DEMULTIPLEXERS

DESCRIPTION	TYPE OF OUTPUT	TYPICAL SELECT TIME	TYPICAL ENABLE TIME	TYP TOTAL POWER DISSIPATION	DEVICE TYPE AND PACKAGE				PAGE NO.
					-55°C to 125°C		0°C to 70°C		
					Part No.	Package	Part No.	Package	
4-LINE-TO-16-LINE	Totem-Pole	23 ns	19 ns	170 mW	SN54154	J, W	SN74154	J, N	7-171
	Totem-Pole	46 ns	38 ns	85 mW	SN54L154	J	SN74L154	J, N	7-171
	Open-Collector	24 ns	19 ns	170 mW	SN54159	J, W	SN74159	J, N	7-188
4-LINE-TO-10-LINE, BCD-TO-DECIMAL	Totem-Pole	17 ns		35 mW	SN54LS42	J, W	SN54LS42	J, N	7-15
	Totem-Pole	17 ns		140 mW	SN5442A	J, W	SN7442A	J, N	
	Totem-Pole	34 ns		70 mW	SN54L42	J	SN74L42	J, N	
4-LINE-TO-10-LINE, EXCESS-3-TO-DECIMAL	Totem-Pole	17 ns		140 mW	SN5443A	J, W	SN7443A	J, N	7-15
	Totem-Pole	34 ns		70 mW	SN54L43	J	SN74L43	J, N	
4-LINE-TO-10-LINE EXCESS-3-GRAY-TO-DECIMAL	Totem-Pole	17 ns		140 mW	SN5444A	J, W	SN7444A	J, N	7-15
	Totem-Pole	34 ns		70 mW	SN54L44	J	SN74L44	J, N	
3-LINE-TO-8-LINE	Totem-Pole	8 ns	7 ns	245 mW	SN54S138	J, W	SN74S138	J, N	7-134
	Totem-Pole	22 ns	21 ns	31 mW	SN54LS138	J, W	SN74LS138	J, N	7-134
DUAL 2-LINE-TO-4-LINE	Totem-Pole	7.5 ns	6 ns	300 mW	SN54S139	J, W	SN74S139	J, N	7-134
	Totem-Pole	22 ns	19 ns	34 mW	SN54LS139	J, W	SN74LS139	J, N	7-134
	Totem-Pole	18 ns	15 ns	30 mW	SN54LS155	J, W	SN74LS155	J, N	7-175
	Totem-Pole	21 ns	16 ns	125 mW	SN54155	J, W	SN74155	J, N	7-175
	Open-Collector	23 ns	18 ns	125 mW	SN54156	J, W	SN74156	J, N	7-175
	Open-Collector	33 ns	26 ns	31 mW	SN54LS156	J, W	SN74LS156	J, N	7-175

### OPEN-COLLECTOR DISPLAY DECODERS/DRIVERS WITH COUNTERS/LATCHES

DESCRIPTION	OUTPUT SINK CURRENT	OFF-STATE OUTPUT VOLTAGE	TYP TOTAL POWER DISSIPATION	BLANKING	DEVICE TYPE AND PACKAGE				PAGE NO.
					-55°C to 125°C		0°C to 70°C		
					Part No.	Package	Part No.	Package	
BCD COUNTER/ 4-BIT LATCH/ BCD-TO-DECIMAL DECODER/DRIVER	7 mA	55 V	340 mW				SN74142	J, N	7-140
BCD COUNTER/ 4-BIT LATCH/ BCD-TO-SEVEN- SEGMENT DECODER/ LED DRIVER	Constant Current 15 mA	7 V	280 mW	Ripple	SN54143	J, W	SN74143	J, N	7-143
BCD COUNTER/ 4-BIT LATCH/ BCD-TO-SEVEN- SEGMENT DECODER/ LAMP DRIVER	20 mA 25 mA	15 V 15 V	280 mW 280 mW	Ripple Ripple	SN54144	J, W	SN74144	J, N	7-143

### RESULTANT DISPLAYS USING '143, '144



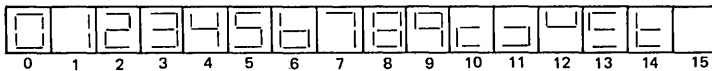
# MSI/LSI FUNCTIONS

## FUNCTIONAL INDEX/SELECTION GUIDE

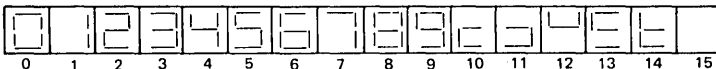
### OPEN-COLLECTOR DISPLAY DECODERS/DRIVERS

DESCRIPTION	OUTPUT SINK CURRENT	OFF-STATE OUTPUT VOLTAGE	TYP TOTAL POWER DISSIPATION	BLANKING	DEVICE TYPE AND PACKAGE				PAGE NO.
					-55°C to 125°C		0°C to 70°C		
					Part No.	Package	Part No.	Package	
BCD-TO-DECIMAL DECODERS/DRIVERS	80 mA	30 V	215 mW	Invalid Codes	SN54445	J, W	SN74445	J, N	7-20
	80 mA	15 V	35 mW	Invalid Codes			SN74LS145	J, N	7-148
	12 mA	15 V	35 mW	Invalid Codes	SN54LS145	J, W			7-148
	80 mA	15 V	215 mW	Invalid Codes	SN54145	J, W	SN74145	J, N	7-148
	7 mA	60 V	80 mW	Invalid Codes			SN74141	J, N	7-138
BCD-TO-SEVEN-SEGMENT DECODERS/DRIVERS	40 mA	30 V	320 mW	Ripple	SN5446A	J, W	SN7446A	J, N	7-22
	40 mA	30 V	320 mW	Ripple	SN54246	J, W	SN74246	J, N	7-22
	40 mA	15 V	320 mW	Ripple	SN5447A	J, W	SN7447A	J, N	7-22
	40 mA	15 V	320 mW	Ripple	SN54247	J, W	SN74247	J, N	7-351
	24 mA	15 V	35 mW	Ripple			SN74LS47	J, N	7-22
	24 mA	15 V	35 mW	Ripple			SN74LS247	J, N	7-351
	12 mA	15 V	35 mW	Ripple	SN54LS47	J, W			7-22
	12 mA	15 V	35 mW	Ripple	SN54LS247	J, W			7-351
	20 mA	30 V	133 mW	Ripple	SN54L46	J	SN74L46	J, N	7-22
	20 mA	15 V	133 mW	Ripple	SN54L47	J	SN74L47	J, N	7-22
	6.4 mA	5.5 V	265 mW	Ripple	SN5448	J, W	SN7448	J, N	7-22
	6.4 mA	5.5 V	265 mW	Ripple	SN54248	J, W	SN74248	J, N	7-351
	6 mA	5.5 V	125 mW	Ripple			SN74LS48	J, N	7-22
	6 mA	5.5 V	125 mW	Ripple			SN74LS248	J, N	7-351
	2 mA	5.5 V	125 mW	Ripple	SN54LS48	J, W			7-22
	2 mA	5.5 V	125 mW	Ripple	SN54LS248	J, W			7-351
	10 mA	5.5 V	165 mW	Direct	SN5449	W			7-22
	10 mA	5.5 V	265 mW	Direct	SN54249	J, W	SN74249	J, N	7-351
	8 mA	5.5 V	40 mW	Direct			SN74LS249	J, N	7-351
	8 mA	5.5 V	40 mW	Direct			SN74LS49	J, N	7-22
	4 mA	5.5 V	40 mW	Direct		SN54LS49	J, W		7-22
	4 mA	5.5 V	40 mW	Direct		SN54LS249	J, W		7-351

### RESULTANT DISPLAYS USING '46A, '47A, '48, '49, 'L46, 'L47, 'LS47, 'LS48, 'LS49



### RESULTANT DISPLAYS USING '246, '247, '248, '249, 'LS247, 'LS248, 'LS249



# MSI/LSI FUNCTIONS FUNCTIONAL INDEX/SELECTION GUIDE

## BUS TRANSCEIVERS AND DRIVERS

DESCRIPTION	TYPICAL PROPAGATION DELAY TIMES	MAXIMUM SOURCE CURRENT	MAXIMUM SINK CURRENT	DEVICE TYPE AND PACKAGE				PAGE NO.
				-55°C to 125°C		0°C to 70°C		
CONTROLLER AND BUS DRIVER FOR 8080A SYSTEMS		-1 mA	10 mA			SN74S428	N	7-514
		-1 mA	10 mA			SN74S438	N	
OCTAL BUS TRANSCEIVERS	8 ns	-12 mA	12 mA	SN54LS245	J	SN74LS245	J, N	7-349
4-BIT BUS TRANSCEIVERS WITH STORAGE	10 ns	-6.5 mA	20 mA	SN54S226	J, W	SN74S226	J, N	7-345

## ASYNCHRONOUS COUNTERS (RIPPLE CLOCK)—NEGATIVE-EDGE TRIGGERED

DESCRIPTION	COUNT FREQ	PARALLEL LOAD	CLEAR	TYP TOTAL POWER DISSIPATION	DEVICE TYPE AND PACKAGE				PAGE NO.
					-55°C to 125°C		0°C to 70°C		
DECADE	50 MHz	Yes	Low	240 mW	SN54196	J, W	SN74196	J, N	7-331
	100 MHz	Yes	Low	375 mW	SN54S196	J, W	SN74S196	J, N	7-331
	35 MHz	Yes	Low	150 mW	SN54176	J, W	SN74176	J, N	7-259
	32 MHz	Set-to-9	High	40 mW	SN54LS90	J, W	SN74LS90	J, N	7-72
	32 MHz	Set-to-9	High	40 mW	SN54LS290	J, W	SN74LS290	J, N	7-423
	32 MHz	Set-to-9	High	160 mW	SN5490A	J, W	SN7490A	J, N	7-72
	32 MHz	Set-to-9	High	160 mW	SN54290	J, W	SN74290	J, N	7-423
	30 MHz	Yes	Low	60 mW	SN54LS196	J, W	SN74LS196	J, N	7-331
4-BIT BINARY	3 MHz	Set-to-9	High	20 mW	SN54L90	J, T	SN74L90	J, N	7-72
	50 MHz	Yes	Low	240 mW	SN54197	J, W	SN74197	J, N	7-331
	100 MHz	Yes	Low	375 mW	SN54S197	J, W	SN74S197	J, N	7-331
	35 MHz	Yes	Low	150 mW	SN54177	J, W	SN74177	J, N	7-259
	32 MHz	None	High	39 mW	SN54LS93	J, W	SN74LS93	J, N	7-72
	32 MHz	None	High	39 mW	SN54LS293	J, W	SN74LS293	J, N	7-423
	32 MHz	None	High	160 mW	SN5493A	J, W	SN7493A	J, N	7-72
	32 MHz	None	High	160 mW	SN54293	J, W	SN74293	J, N	7-423
DIVIDE-BY-12	30 MHz	Yes	Low	60 mW	SN54LS197	J, W	SN74LS197	J, N	7-331
	3 MHz	None	High	20 mW	SN54L93	J, T	SN74L93	J, N	7-72
	32 MHz	None	High	39 mW	SN54LS92	J, W	SN74LS92	J, N	7-72
DUAL DECADE	32 MHz	None	High	160 mW	SN5492A	J, W	SN7492A	J, N	7-72
	25 MHz	None	High	210 mW	SN54390	J, W	SN74390	J, N	7-489
	35 MHz	None	High	75 mW	SN54LS390	J, W	SN74LS390	J, N	7-489
DUAL 4-BIT BINARY	25 MHz	Set-to-9	High	225 mW	SN54490	J, W	SN74490	J, N	7-520
	35 MHz	Set-to-9	High	75 mW	SN54LS490	J, W	SN74LS490	J, N	7-520
DUAL 4-BIT BINARY	25 MHz	None	High	190 mW	SN54393	J, W	SN74393	J, N	7-489
	35 MHz	None	High	75 mW	SN54LS393	J, W	SN74LS393	J, N	7-489



# MSI/LSI FUNCTIONS

## FUNCTIONAL INDEX/SELECTION GUIDE

### SYNCHRONOUS COUNTERS—POSITIVE-EDGE TRIGGERED

DESCRIPTION	COUNT FREQ	PARALLEL LOAD	CLEAR	TYP TOTAL POWER DISSIPATION	DEVICE TYPE AND PACKAGE				PAGE NO.
					-55°C to 125°C		0°C to 70°C		
DECADE	40 MHz	Sync	Sync-L	475 mW	SN54S162	J, W	SN74S162	J, N	7-190
	25 MHz	Sync	Sync-L	93 mW	SN54LS162A	J, W	SN74LS162A	J, N	
	25 MHz	Sync	Async-L	93 mW	SN54LS160A	J, W	SN74LS160A	J, N	
	25 MHz	Sync	Sync-L	305 mW	SN54162	J, W	SN74162	J, N	
	25 MHz	Sync	Async-L	305 mW	SN54160	J, W	SN74160	J, N	
DECADE UP/DOWN	40 MHz	Sync	None	500 mW	SN54S168	J, W	SN74S168	J, N	7-226
	25 MHz	Async	Async-H	85 mW	SN54LS192	J, W	SN74LS192	J, N	7-306
	25 MHz	Async	Async-H	325 mW	SN54192	J, W	SN74192	J, N	7-306
	20 MHz	Async	None	100 mW	SN54LS190	J, W	SN74LS190	J, N	7-296
	20 MHz	Async	None	325 mW	SN54190	J, W	SN74190	J, N	7-296
	3 MHz	Async	Async-H	42 mW	SN54L192	J	SN74L192	J, N	7-306
DECADE RATE MULTIPLIER, $\frac{1}{N_{10}}$	25 MHz	Set-to-9	Async-H	270 mW	SN54167	J, W	SN74167	J, N	7-222
4-BIT BINARY	40 MHz	Sync	Sync-L	475 mW	SN54S163	J, W	SN74S163	J, N	7-190
	25 MHz	Sync	Sync-L	93 mW	SN54LS163A	J, W	SN74LS163A	J, N	
	25 MHz	Sync	Async-L	93 mW	SN54LS161A	J, W	SN74LS161A	J, N	
	25 MHz	Sync	Sync-L	305 mW	SN54163	J, W	SN74163	J, N	
	25 MHz	Sync	Async-L	305 mW	SN54161	J, W	SN74161	J, N	
4-BIT BINARY UP/DOWN	40 MHz	Sync	None	500 mW	SN54S169	J, W	SN74S169	J, N	7-226
	25 MHz	Sync	None	100 mW	SN54LS169A	J, W	SN74LS169A	J, N	7-226
	25 MHz	Async	Async-H	85 mW	SN54LS193	J, W	SN74LS193	J, N	7-306
	25 MHz	Async	Async-H	325 mW	SN54193	J, W	SN74193	J, N	7-306
	20 MHz	Async	None	90 mW	SN54LS191	J, W	SN74LS191	J, N	7-296
	20 MHz	Async	None	325 mW	SN54191	J, W	SN74191	J, N	7-296
	3 MHz	Async	Async-H	42 mW	SN54L193	J	SN74L193	J, N	7-306
6-BIT BINARY RATE MULTIPLIER, $\frac{1}{N_2}$	25 MHz		Async-H	345 mW	SN5497	J, W	SN7497	J, N	7-102

### BIPOLAR BIT-SLICE PROCESSOR ELEMENTS†

DESCRIPTION	CASCADABLE TO N-BITS	TYPICAL $\mu$ -OPERATION TIME	TECHNOLOGY	DEVICE TYPE AND PACKAGE		
				-55°C to 125°C		0°C to 70°C
4-BIT SLICE	Yes	100 ns	STTL		SN74S481	J, N
	Yes	120 ns	STTL		SN74LS481	J, N

### FIRST-IN FIRST-OUT MEMORIES (FIFO'S)†

DESCRIPTION	TYPE OF OUTPUT	DELAY TIME FROM CLOCK	TYP TOTAL POWER DISSIPATION	DEVICE TYPE AND PACKAGE		
				-55°C to 125°C		0°C to 70°C
ASYNCHRONOUS 16 X 5	3-State	50 ns	400 mW		SN74S225	J

†See Bipolar Microcomputer Components Data Book, LCC4440.

# MSI/LSI FUNCTIONS FUNCTIONAL INDEX/SELECTION GUIDE

## RANDOM-ACCESS READ-WRITE MEMORIES (RAM'S)

DESCRIPTION	ORGANIZATION	TYPE OF OUTPUT	TYPICAL ADDRESS TIME	TYPICAL ENABLE TIME	TYP POWER DISSIPATION PER BIT	DEVICE TYPE AND PACKAGE				PAGE NO.
						-55°C to 125°C		0°C to 70°C		
						Part No.	Package	Part No.	Package	
256-BIT ARRAYS	256 X 1	3-State	42 ns	17 ns	1.9 mW	SN54S201	J, W	SN74S201	J, N	†
	256 X 1	O-C	42 ns	13 ns	1.9 mW	SN54S301	J, W	SN74S301	J, N	†
64-BIT ARRAYS	16 X 4	3-State	25 ns	12 ns	5.9 mW	SN54S189	J, W	SN74S189	J, N	†
	16 X 4	O-C	25 ns	12 ns	5.9 mW	SN54S289	J, W	SN74S289	J, N	†
	16 X 4	O-C	32 ns	30 ns	5.9 mW			SN7489	J, N	†
16-BIT ARRAYS	16 X 1	O-C	15 ns	15 ns	14 mW	SN5481A	J, W	SN7481A	J, N	†
	16 X 1	O-C	15 ns	15 ns	14 mW	SN5484A	J, W	SN7484A	J, N	†
16-BIT MULTIPLE-PORT REGISTER FILE	8 X 2	3-State	33 ns	15 ns	35 mW			SN74172	J, N	7-245
16-BIT REGISTER FILE	4 X 4	O-C	27 ns	15 ns	7.8 mW	SN54LS170	J, W	SN74LS170	J, N	7-237
	4 X 4	O-C	30 ns	15 ns	40 mW	SN54170	J, W	SN74170	J, N	7-237
	4 X 4	3-State	24 ns	19 ns	9.3 mW	SN54LS670	J, W	SN74LS670	J, N	7-526

## READ-ONLY MEMORIES (ROM'S)†

DESCRIPTION	ORGANIZATION	TYPE OF OUTPUT	TYPICAL ADDRESS TIME	TYPICAL ENABLE TIME	TYP POWER DISSIPATION PER BIT	DEVICE TYPE AND PACKAGE			
						-55°C to 125°C		0°C to 70°C	
						Part No.	Package	Part No.	Package
2048-BIT ARRAYS	512 X 4	O-C	45 ns	15 ns	0.26 mW	SN54S270	J	SN74S270	J, N
	256 X 8	O-C	45 ns	15 ns	0.26 mW	SN54S271	J	SN74S271	J, N
	512 X 4	3-State	45 ns	15 ns	0.26 mW	SN54S370	J	SN74S370	J, N
	256 X 8	3-State	45 ns	15 ns	0.26 mW	SN54S371	J	SN74S371	J, N
1024-BIT ARRAYS	256 X 4	O-C	40 ns	20 ns	0.46 mW	SN54187	J, W	SN74187	J, N
256-BIT ARRAYS	32 X 8	O-C	26 ns	22 ns	1.1 mW	SN5488A	J, W	SN7488A	J, N

† For more information contact the factory.

# MSI/LSI FUNCTIONS FUNCTIONAL INDEX/SELECTION GUIDE

## PROGRAMMABLE READ-ONLY MEMORIES (PROMS)<sup>†</sup>

DESCRIPTION	ORGANIZATION	TYPE OF OUTPUT	TYPICAL ADDRESS TIME	TYPICAL ENABLE TIME	TYP POWER PER BIT	DEVICE TYPE AND PACKAGE			
						-55°C to 125°C		0°C to 70°C	
						Part No.	Package	Part No.	Package
4096-BIT ARRAYS	512 X 8	3-State	55 ns	20 ns	0.14 mW	SN54S472	J	SN74S472	J, N
	512 X 8	O-C	55 ns	20 ns	0.14 mW	SN54S473	J	SN74S473	J, N
	512 X 8	3-State	55 ns	20 ns	0.14 mW	SN54S474	J, W	SN74S474	J, N
	512 X 8	O-C	55 ns	20 ns	0.14 mW	SN54S475	J, W	SN74S475	J, N
2048-BIT ARRAYS	256 X 8	O-C	50 ns	20 ns	0.24 mW	SN54S470	J	SN74S470	J, N
	256 X 8	3-State	50 ns	20 ns	0.24 mW	SN54S471	J	SN74S471	J, N
1024-BIT ARRAYS	256 X 4	3-State	40 ns	15 ns	0.49 mW	SN54S287	J, W	SN74S287	J, N
	256 X 4	O-C	40 ns	15 ns	0.49 mW	SN54S387	J, W	SN74S387	J, N
512-BIT ARRAYS	64 X 8	O-C	50 ns	47 ns	0.6 mW	SN54186	J, W	SN74186	J, N
256-BIT ARRAYS	32 X 8	O-C	29 ns	28 ns	1.3 mW	SN54188A	J, W	SN74188A	J, N
	32 X 8	O-C	25 ns	12 ns	1.56 mW	SN54S188	J, W	SN74S188	J, N
	32 X 8	3-State	25 ns	12 ns	1.56 mW	SN54S288	J, W	SN74S288	J, N

## MICROPROCESSOR CONTROLLERS AND SUPPORT FUNCTIONS

DESCRIPTION	SYSTEM APPLICATION	TYP TOTAL POWER DISSIPATION	DEVICE TYPE AND PACKAGE				PAGE NO.
			-55°C to 125°C		0°C to 70°C		
			Part No.	Package	Part No.	Package	
SYSTEM CONTROLLERS	8080A	700 mW			SN74S428 (TIM8228)	N	7-514
	8080A	700 mW			SN74S438 (TIM8238)	N	7-514
	Universal	450 mW	SN54S482	J	SN74S482	J, N	†
REGISTERS	TMS 9900	110 mW	SN54LS259	J, W	SN74LS259 (TIM9906)	J, N	7-376
MULTI-MODE LATCHES	8080A	410 mW	SN54S412	J, W	SN74S412 (TIM8212)	J, N	7-502
TRANSCEIVERS AND BUS DRIVERS		625 mW	SN54S226	J, W	SN74S226	J, N	7-345
		207 mW	SN54LS245	J	SN74LS245	J, N	7-349
TRANSCEIVERS AND BUS DRIVERS (SSI)		98 mW	SN54LS240	J	SN74LS240	J, N	6-83
		450 mW	SN54S240	J	SN74S240	J, N	6-83
		100 mW	SN54LS241	J	SN74LS241	J, N	6-83
		538 mW	SN54S241	J	SN74S241	J, N	6-83
		128 mW	SN54LS242	J, W	SN74LS242	J, N	6-87
		128 mW	SN54LS243	J, W	SN74LS243	J, N	6-87
LOGIC ELEMENTS	TMS 9900	190 mW	SN54148	J, W	SN74148 (TIM9907)	J, N	7-151
	TMS 9900	35 mW	SN54LS251	J, W	SN74LS251 (TIM9905)	J, N	7-362
	TMS 9900	63 mW	SN54LS348	J, W	SN74LS348 (TIM9908)	J, N	7-448

## ERROR DETECTION AND CORRECTION CIRCUITS

DESCRIPTION	TYPE OF OUTPUTS	MEMORY OVERHEAD	ERRORS FLAGGED	ERRORS CORRECTED	DEVICE TYPE AND PACKAGE				
					-55°C to 125°C		0°C to 70°C		
					Part No.	Package	Part No.	Package	
16-BIT PARALLEL	3-STATE	6 BITS	2-BIT	1-BIT	SN54LS630	J	SN74LS630	N, J	7-465
16-BIT PARALLEL	O-C	6 BITS	2-BIT	1-BIT	SN54LS631	J	SN74LS631	N, J	7-465

<sup>†</sup>See Bipolar Microcomputer Components Data Book, LCC4440.

# Interchangeability Guide

## TTL INTERCHANGEABILITY GUIDE

**Direct Replacements** were selected as pin-for-pin equivalent circuits based on similarity of electrical and mechanical characteristics as shown in currently published data. Interchangeability in any particular application is not necessarily guaranteed. Before using a substitute, the user should compare the specifications of the substitute device with the detailed specifications of the original device.

TI makes no warranty as to the information furnished and buyer assumes all risk in the use thereof. No liability is assumed for damages resulting from the use of the information contained in this list.

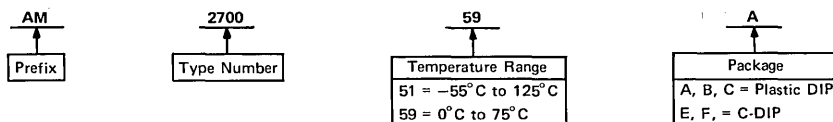
**Recommendation for New Designs** lists devices performing a similar (sometimes identical) function. Most are pin-for-pin equivalents for the competitor's part. However, the recommended part may have different pin-outs or organizations, as later technologies are listed in some cases to ensure that current high-performance components are recommended.

Only the basic circuit numbers are cross referenced. As the pin-out sometimes varies between a flat-package part and the equivalent DIP part, it is recommended that the manufacturer's specifications be consulted prior to specifying a direct replacement. Other than parts offered only in a flat package, the dual-in-line pin-outs were used as a guide in preparing the following cross references.

This list is intended to give TI replacements for competitors' parts not using the 54/74 numbering system. For a complete listing of parts in the 54 and 74 families, see the functional index, pages 1-9 through 1-28.

### ADVANCED MICRO DEVICES

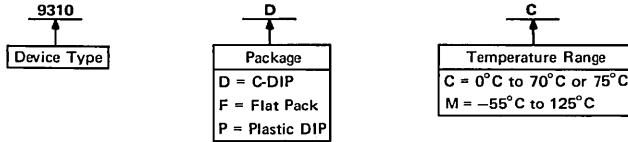
Example of AMD ordering code:



AMD TYPE	TI DIRECT REPLACEMENT	RECOMMENDED FOR NEW DESIGN	AMD TYPE	TI DIRECT REPLACEMENT	RECOMMENDED FOR NEW DESIGN
2501		SN54192/SN74191	27S09	SN54S288/SN74S288	SN54S288/SN74S288
2505		SN54284/SN74284	27S10	SN54S387/SN74S387	SN54S387/SN74S387
2506		SN54285/SN74285	27S11	SN54S287/SN74S287	SN54S287/SN74S287
25LS07	SN54LS378/SN74LS378	SN54S181/SN74S181	3101	SN7489	SN7489
25LS08	SN54LS379/SN74LS379	SN54LS378/SN74LS378	3101A	SN54S289/SN74S289	SN54S289/SN74S289
25LS09	SN54LS399/SN74LS399	SN54LS379/SN74LS379	9300	SN54195/SN74195	SN54195/SN74195
25LS22	SN54LS322/SN74LS322	SN54LS399/SN74LS399	9301	SN29301/SN39301	SN5442A/SN7442A
25LS23	SN54LS323/SN74LS323	SN54LS322/SN74LS322	9308	SN29308/SN39308	SN54116/SN74116
2600		SN54LS323/SN74LS323	9309	SN29309/SN39309	SN54153/SN74153
2602		SN54121/SN74121	9310	SN54160/SN74160	SN54160/SN74160
26123	SN54123/SN74123	SN54123/SN74123	9311	SN54154/SN74154	SN54154/SN74154
2700	SN54S200A/SN74S200A	SN54123/SN74123	9312	SN29312/SN39312	SN54151A/SN74151A
27LS00	SN54LS200A/SN74LS200A	SN54S200A/SN74S200A	9316	SN54161/SN74161	SN54161/SN74161
2701	SN54S300A/SN74S300A	SN54S201/SN74S201	9318	SN54148/SN74148	SN54148/SN74148
27S02	SN54S289/SN74S289	SN54LS200A/SN74LS200A	9322	SN54157/SN74157	SN54157/SN74157
27S03	SN54S189/SN74S189	SN54S300A/SN74S300A	9334	SN54259/SN74259	SN54259/SN74259
27S08	SN54S188/SN74S188	SN54S301/SN74S301	9341	SN54181/SN74181	SN54181/SN74181
		SN54S289/SN74S289	9342	SN54182/SN74182	SN54182/SN74182
		SN54S189/SN74S189	9601	SN29601	
		SN54S188/SN74S188	93415	SN54S314/SN74S314	SN54S314/SN74S314

# FAIRCHILD

Example of order code:



FSC TYPE	TI DIRECT REPLACEMENT	RECOMMENDED FOR NEW DESIGN	FSC TYPE	TI DIRECT REPLACEMENT	RECOMMENDED FOR NEW DESIGN
9000	SN29000	SN54276/SN74276	9014		SN54S135/SN74S135
9H00	SN54H00/SN74H00	SN54S00/SN74S00	9N14	SN5414/SN7414	SN5414/SN7414
9L00	SN54LS00/SN74LS00	SN54LS00/SN74LS00	9015		SN5402/SN7402
9N00	SN5400/SN7400	SN5400/SN7400	9S15	SN54S15/SN74S15	SN54S15/SN74S15
9S00	SN54S00/SN74S00	SN54S00/SN74S00	9016	SN29016/SN7404, SN5404	SN54S240/SN74S240
		SN54276/SN74276	9N16	SN5416/SN7416	SN5416/SN7416
9001	SN29001	SN54376/SN74376	9017	SN5405/SN7405	SN54S241/SN74S241
9H01	SN54H01/SN74H01	SN54S03/SN74S03	9N17	SN5417/SN7417	SN5417/SN7417
9N01	SN5401/SN7401	SN5403/SN7403	9020		SN74276
9002	SN29002/SN7400, SN5400	SN5400/SN7400	9H20	SN54H20/SN74H20	SN54S20/SN74S20
9N02	SN5402/SN7402	SN5402/SN7402	9N20	SN5420/SN7420	SN5420/SN7420
9S02	SN54S02/SN74S02	SN54S02/SN74S02	9S20	SN54S20/SN74S20	SN54S20/SN74S20
9003	SN29003/SN7410, SN5410	SN5410/SN7410	9H21	SN54H21/SN74H21	SN54S15/SN74S15
9N03	SN5403/SN7403	SN5403/SN7403	9022		SN74376
9S03	SN54S03/SN74S03	SN54S03/SN74S03	9H22	SN54H22/SN74H22	SN54S22/SN74S22
9004	SN29004/SN7420, SN5420	SN5420/SN7420	9S22	SN54S22/SN74S22	SN54S22/SN74S22
9H04	SN54H04/SN74H04	SN54S04/SN74S04	9N23	SN5423/SN7423	SN5423/SN7423
9L04	SN54LS04/SN74LS04	SN54LS04/SN74LS04			SN54276/SN74276
9N04	SN5404/SN7404	SN5404/SN7404	9024	SN29024/SN74109, SN54109	SN54376/SN74376
9S04	SN54S04/SN74S04	SN54S04/SN74S04	9L24	SN54LS109A/SN74LS109A	SN54LS109A/SN74LS109A
9005	SN29005/SN7450, SN5450	SN5450/SN7450	9N25	SN5425/SN7425	SN5425/SN7425
9H05	SN54S05/SN74S05	SN54S05/SN74S05	9N26	SN5426/SN7426	SN5426/SN7426
9S05	SN54S05/SN74S05	SN54S05/SN74S05	9N27	SN5427/SN7427	SN5427/SN7427
9006	SN5460/SN7460	SN5460/SN7460	9H30	SN54H30/SN74H30	SN54S30/SN74S30
9N06	SN5406/SN7406	SN5406/SN7406	9N30	SN5430/SN7430	SN5430/SN7430
9007	SN29007	SN54S133/SN74S133	9S30	SN54S30/SN74S30	SN54S30/SN74S30
9N07	SN5407/SN7407	SN5407/SN7407	9N32	SN5432/SN7432	SN5432/SN7432
9008	SN29008	SN54S65/SN74S65	9S32	SN54S32/SN74S32	SN54S32/SN74S32
9N08	SN5408/SN7408	SN5408/SN7408	9033	SN83433, SN93433	SN54S189/SN74S189
9S08	SN54S08/SN74S08	SN54S08/SN74S08	9034	SN5488A/SN7488A	SN54S371/SN74S371
9009	SN29009/SN7440, SN5440	SN54S140/SN74S140	9N37	SN5437/SN7437	SN5437/SN7437
9N09	SN5409/SN7409	SN5409/SN7409	9N38	SN5438/SN7438	SN5438/SN7438
9S09	SN54S09/SN74S09	SN54S09/SN74S09	9H40	SN54H40/SN74H40	SN54S40/SN74S40
9H10	SN54H10/SN74H10	SN54S10/SN74S10	9N40	SN5440/SN7440	SN5440/SN7440
9N10	SN5410/SN7410	SN5410/SN7410	9S40	SN54S40/SN74S40	SN54S40/SN74S40
9S10	SN54S10/SN74S10	SN54S10/SN74S10	9H50	SN54H50/SN74H50	SN54S51/SN74S51
9H11	SN54H11/SN74H11	SN54S11/SN74S11	9N50	SN5450/SN7450	SN5450/SN7450
9S11	SN54S11/SN74S11	SN54S11/SN74S11	9H51	SN54H51/SN74H51	SN54S51/SN74S51
9012	SN2901/SN7403, SN5403	SN5403/SN7403	9N51	SN5451/SN7451	SN5451/SN7451
9N12	SN5412/SN7412	SN5412/SN7412	9S51	SN54S51/SN74S51	SN54S51/SN74S51
9N13	SN5413/SN7413	SN5413/SN7413	9H52	SN54H52/SN74H52	SN54S51/SN74S51

2

## FAIRCHILD

<u>FSC</u> <u>TYPE</u>	<u>TI DIRECT</u> <u>REPLACEMENT</u>	<u>RECOMMENDED</u> <u>FOR NEW DESIGN</u>	<u>FSC</u> <u>TYPE</u>	<u>TI DIRECT</u> <u>REPLACEMENT</u>	<u>RECOMMENDED</u> <u>FOR NEW DESIGN</u>
9H53	SN54H53/SN74H53	SN54H53/SN74H53	93L00	SN54LS195A/SN74LS195A	SN54LS195A/SN74LS195A
9N53	SN5453/SN7453	SN5453/SN7453	93S00	SN54S195/SN74S195	SN54S195/SN74S195
9H54	SN54H54/SN74H54	SN54H54/SN74H54	9301	SN39301/SN29301	SN5442A/SN7442A
9L54	SN54L54/SN74L54	SN54L54/SN74L54	93L01		SN54L42/SN74L42
9N54	SN5454/SN7454	SN5454/SN7454	9302		SN5442A/SN7442A
9H55	SN54H55/SN74H55	SN54S65/SN74S65	9304		SN54H183/SN74H183
9H60	SN54H60/SN74H60	SN54S11/SN74S11	9305		SN54S169/SN74S169
9N60	SN5460/SN7460	SN5460/SN7460	93S05		SN54S169/SN74S169
9H61	SN54H61/SN74H61	SN54S11/SN74S11	9307	SN5448A/SN7448A	SN5448A/SN7448A
9H62	SN54H62/SN74H62	SN54H62/SN74H62		SN39308/SN54116	
9S64	SN54S64/SN74S64	SN54S64/SN74S64	9308	SN29308/SN74116	SN54116/SN74116
9S65	SN54S65/SN74S65	SN54S65/SN74S65	9309	SN39309/SN29309	SN54153/SN74153
9N70	SN5470/SN7470	SN5470/SN7470	93L09		SN54L153/SN74L153
9H71	SN54H71/SN74H71	SN54S112/SN74S112	9310	SN39310/SN54160	SN54S162/SN74S162
9H72	SN54H72/SN74H72	SN54S112/SN74S112		SN29310/SN74160	
9N72	SN5472/SN7472	SN5472/SN7472	93S10		SN54S162/SN74S162
9H73	SN54H73/SN74H73	SN54S113/SN74S113	9311	SN39311/SN54154	SN54154/SN74154
9N73	SN5473/SN7473	SN5473/SN7473		SN29311/SN74154	
9H74	SN54H74/SN74H74	SN54S74/SN74S74	93L11	SN54L154/SN74L154	SN54L154/SN74L154
9N74	SN5474/SN7474	SN5474/SN7474	9312	SN39312/SN29312	SN54151A/SN74151A
9S74	SN54S74/SN74S74	SN54S74/SN74S74	93S12		SN54S151/SN74S151
9N75	SN5475/SN7475	SN5475/SN7475	9313		SN54251/SN74251
9H76	SN54H76/SN74H76	SN54S112/SN74S112	9314		SN54273/SN74273
9N76	SN5476/SN7476	SN5476/SN7476	93L14		SN54L75/SN74L75
9H78	SN54H78/SN74H78	SN54S114/SN74S114	9315	SN54141	SN74141
9L86	SN54L86/SN74L86	SN54L86/SN74L86		SN39316/SN54161	
9N86	SN5486/SN7486	SN5486/SN7486	9316	SN29316/SN74161	SN54S163/SN74S163
9S86	SN54S86/SN74S86	SN54S86/SN74S86	93S16		SN54S163/SN74S163
9H101	SN54H101/SN74H101	SN54S112/SN74S112	9317B	SN5446A/SN7446A	SN5446A/SN7446A
9H102	SN54H102/SN74H102	SN54S112/SN74S112	9317C	SN5446A/SN7446A	SN5446A/SN7446A
9H103	SN54H103/SN74H103	SN54S113/SN74S113	9318	SN39318/SN54148	SN54148/SN74148
9H106	SN54H106/SN74H106	SN54S112/SN74S112		SN29318/SN74148	
9H107	SN54107/SN74107	SN54107/SN74107	93L21	SN54LS139/SN74LS139	SN54LS139/SN74LS139
9N107	SN54107/SN74107	SN54107/SN74107	9321	SN54S139/SN74S139	SN54S139/SN74S139
9H108	SN54H108/SN74H108	SN54S114/SN74S114	9322	SN39322/SN54157	SN54157/SN74157
9S112	SN54S112/SN74S112	SN54S112/SN74S112		SN29322/SN74157	
9S113	SN54S113/SN74S113	SN54S113/SN74S113	93L22	SN54L157/SN74L157	SN54L157/SN74L157
9S114	SN54S114/SN74S114	SN54S114/SN74S114	93S22	SN54S157/SN74S157	SN54S157/SN74S157
9N122	SN54122/SN74122	SN54122/SN74122	9324		SN54S85/SN74S85
9N123	SN54123/SN74123	SN54123/SN74123	93L24		SN54L85/SN74L85
9N132	SN54132/SN74132	SN54132/SN74132	9325	SN74141	SN74141
9S132	SN54S132/SN74S132	SN54S132/SN74S132	9328		SN5491A/SN7491A
9S133	SN54S133/SN74S133	SN94S133/SN74S133	93L28		SN54L91/SN74L91
9S134	SN54S134/SN74S134	SN54S134/SN74S134	9334	SN54259/SN74259	SN54259/SN74259
9S135	SN54S135/SN74S135	SN54S135/SN74S135	9338		SN74172
9S140	SN54S140/SN74S140	SN54S140/SN74S140	9340		SN54S281/SN74S281
9N279	SN54279/SN74279	SN54279/SN74279	93L40		SN54LS181/SN74LS181
	SN39300/SN54195		9341	SN54181/SN74181	SN54S181/SN74S181
9300	SN29300/SN74195	SN54S299/SN74S299	93S41	SN54S181/SN74S181	SN54S181/SN74S181
93H00	SN54S195/SN74S195	SN54S195/SN74S195	9342	SN54182/SN74182	SN54S182/SN74S182

## FAIRCHILD

<u>FSC</u> <u>TYPE</u>	<u>TI DIRECT</u> <u>REPLACEMENT</u>	<u>RECOMMENDED</u> <u>FOR NEW DESIGN</u>	<u>FSC</u> <u>TYPE</u>	<u>TI DIRECT</u> <u>REPLACEMENT</u>	<u>RECOMMENDED</u> <u>FOR NEW DESIGN</u>
93S42	SN54S182/SN74S182	SN54S182/SN74S182	93155	SN54155/SN74155	SN54155/SN74155
93S43		SN74S274	93156	SN54156/SN74156	SN54156/SN74156
9344		SN74S274	93157	SN54157/SN74157	SN54157/SN74157
9345	SN5445/SN7445	SN5445/SN7445	93S157	SN54S157/SN74S157	SN54S157/SN74S157
93S46		SN54S85/SN74S85	93S158	SN54S158/SN74S158	SN54S158/SN74S158
93S47		SN54S85/SN74S85	93160	SN54160/SN74160	SN54160/SN74160
9348		SN54S280/SN74S280	93161	SN54161/SN74161	SN54161/SN74161
9349	SN54180/SN74180	SN54180/SN74180	93162	SN54162/SN74162	SN54162/SN74162
9350	SN54290/SN74290	SN54290/SN74290	93163	SN54163/SN74163	SN54163/SN74163
9352	SN5442A/SN7442A	SN5442A/SN7442A	93164	SN54164/SN74164	SN54164/SN74164
9353	SN5443A/SN7443A	SN5443A/SN7443A	93165	SN54165/SN74165	SN54165/SN74165
9354	SN5444A/SN7444A	SN5444A/SN7444A	93166	SN54166/SN74166	SN54166/SN74166
9356	SN54293/SN74293	SN54293/SN74293	93170	SN54170/SN74170	SN54170/SN74170
9357A	SN5446A/SN7446A	SN5446A/SN7446A	93174	SN54174/SN74174	SN54174/SN74174
9357B	SN5447A/SN7447A	SN5447A/SN7447A	93175	SN54175/SN74175	SN54175/SN74175
9358	SN5448/SN7448	SN5448/SN7448	93S175	SN54S175/SN74S175	SN54S175/SN74S175
9359	SN5449/SN7449	SN5449/SN7449	93176	SN54176/SN74176	SN54176/SN74176
9360	SN54192/SN74192	SN54192/SN74192	93177	SN54177/SN74177	SN54177/SN74177
93S62		SN54S280/SN74S280	93178	SN54178/SN74178	SN54178/SN74178
9366	SN54193/SN74193	SN54193/SN74193	93179	SN54179/SN74179	SN54179/SN74179
9368C		SN54143/SN74143	93180	SN54180/SN74180	SN54180/SN74180
9370C		SN54144/SN74144	93H183	SN54H183/SN74H183	SN54H183/SN74H183
93H72		SN54S194/SN74S194	93190	SN54190/SN74190	SN54190/SN74190
9374C		SN54143/SN74143	93191	SN54191/SN74191	SN54191/SN74191
9375	SN5475/SN7475	SN54175/SN74175	93194	SN54194/SN74194	SN54194/SN74194
9377	SN5477/SN7477	SN54175/SN74175	93S194	SN54S194/SN74S194	SN54S194/SN74S194
9380	SN5480/SN7480	SN5480/SN7480	93195	SN54195/SN74195	SN54195/SN74195
9382	SN5482/SN7482	SN5482/SN7482	93196	SN54196/SN74196	SN54196/SN74196
9383	SN5483A/SN7483A	SN54283/SN74283	93197	SN54197/SN74197	SN54197/SN74197
9386	SN54LS266/SN74LS266	SN54LS266/SN74LS266	93198	SN54198/SN74198	SN54198/SN74198
93H87	SN54H87/SN74H87	SN54H87/SN74H87	93199	SN54199/SN74199	SN54199/SN74199
9390	SN5490A/SN7490A	SN54290/SN74290	93S251	SN54S251/SN74S251	SN54S251/SN74S251
9391	SN5491A/SN7491A	SN5491A/SN7491A	93S257	SN54S257/SN74S257	SN54S257/SN74S257
9392	SN5492A/SN7492A	SN5492A/SN7492A	93S258	SN54S258/SN74S258	SN54S258/SN74S258
9393	SN5493A/SN7493A	SN54293/SN74293	93400		SN54S201/SN74S201
9394	SN5494/SN7494	SN5494/SN7494	93403	SN54S289/SN74S289	SN54S289/SN74S289
9395	SN5495A/SN7495A	SN5495A/SN7495A	93404		SN54S289/SN74S289
9396	SN5496/SN7496	SN5496/SN7496	93405		SN54S189/SN74S189
93S137		SN54S138/SN74S138	93406	SN54187/SN74187	SN54187/SN74187
93S138	SN54S138/SN74S138	SN54S138/SN74S138	93407	SN5481A/SN7481A	SN5481A/SN7481A
93S139	SN54S139/SN74S139	SN54S139/SN74S139		SN54S300A/SN74S300A	SN54S300A/SN74S300A
93141C	SN74141	SN74141	93410	SN54S301/SN74S301	SN54S301/SN74S301
93145	SN54145/SN74145	SN54145/SN74145		SN54S200A/SN74S200A	SN54S200A/SN74S200A
93150	SN54150/SN74150	SN54150/SN74150	93411	SN54S201/SN74S201	SN54S201/SN74S201
93151	SN54151/SN74151	SN54151A/SN74151A	93412	SN54S214/SN74S214	SN54S214/SN74S214
93S151	SN54S139/SN74S139	SN54S139/SN74S139	93415A	SN54S314/SN74S314	SN54S314/SN74S314
93152	SN54152/SN74152	SN54151A/SN74151A	93415	SN54S314/SN74S314	SN54S314/SN74S314
93153	SN54153/SN74153	SN54153/SN74153	93416	SN54S387/SN74S387	SN54S387/SN74S387
93S153	SN54S153/SN74S153	SN54S153/SN74S153	93417	SN54S387/SN74S387	SN54S387/SN74S387

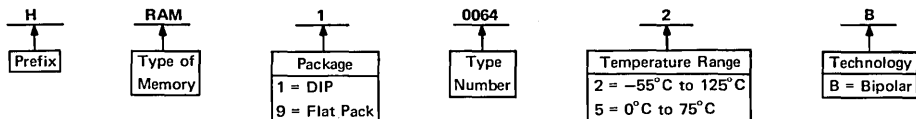


## FAIRCHILD

<u>FSC</u> <u>TYPE</u>	<u>TI DIRECT</u> <u>REPLACEMENT</u>	<u>RECOMMENDED</u> <u>FOR NEW DESIGN</u>	<u>FSC</u> <u>TYPE</u>	<u>TI DIRECT</u> <u>REPLACEMENT</u>	<u>RECOMMENDED</u> <u>FOR NEW DESIGN</u>
93421	SN54S200A/SN74S200A SN54S201/SN74S201	SN54S200A/SN74S200A SN54S201/SN74S201	93436	SN54S270/SN74S270	SN54S270/SN74S270
93425A	SN54S214/SN74S214	SN54S214/SN74S214	93438	SN54S475/SN74S475	SN54S475/SN74S475
93425	SN54S214/SN74S214	SN54S214/SN74S214	93446		SN54S472/SN74S472
93426	SN54S287/SN74S287	SN54S287/SN74S287	93448	SN54S474/SN74S474	SN54S474/SN74S474
93427	SN54S287/SN74S287	SN54S287/SN74S287	9600		SN54221/SN74221
93433	SN83433, SN93433	SN5481A/SN7481A	9601	SN29601	SN54122/SN74122
93434	SN5488A/SN7488A	SN5488A/SN7488A	9602		SN54123/SN74123
93435	SN7489	SN7489	9603	SN54121/SN74121	SN54221/SN74221

## HARRIS

Example of Harris order code:



<u>HARRIS</u> <u>TYPE</u>	<u>TI DIRECT</u> <u>REPLACEMENT</u>	<u>RECOMMENDED</u> <u>FOR NEW DESIGNS</u>	<u>HARRIS</u> <u>TYPE</u>	<u>TI DIRECT</u> <u>REPLACEMENT</u>	<u>RECOMMENDED</u> <u>FOR NEW DESIGNS</u>
M 7602	SN54S188/SN74S188	SN54S188/SN74S188	M 7640	SN54S475/SN74S475	SN54S475/SN74S475
M 7603	SN54S288/SN74S288	SN54S288/SN74S288	M 7641	SN54S474/SN74S474	SN54S474/SN74S474
M 7610	SN54S387/SN74S387	SN54S387/SN74S387	RAM 1-0064	SN7489	SN7489
M 7611	SN54S287/SN74S287	SN54S287/SN74S287	PROM 1-0512	SN54186/SN74186	SN54S470/SN74S470
M 7620		SN54S470/SN74S470	PROM 1-1024	SN54S287/SN74S287	SN54S287/SN74S287
		SN54S473/SN74S473	PROM 1-1024A	SN54S387/SN74S387	SN54S387/SN74S387
M 7621		SN54S471/SN74S471	ROM 1-1024	SN54187/SN74187	SN54187/SN74187
		SN54S472/SN74S472	PROM 1-8256	SN54S188/SN74S188	SN54S188/SN74S188

## INTEL

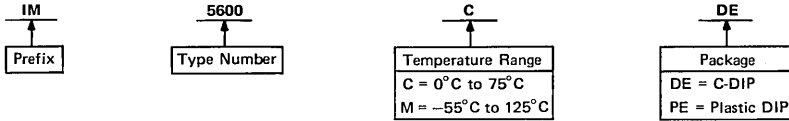
Example of Intel order code:



INTEL TYPE	TI DIRECT REPLACEMENT	RECOMMENDED FOR NEW DESIGNS	INTEL TYPE	TI DIRECT REPLACEMENT	RECOMMENDED FOR NEW DESIGNS
3101	SN54S289/SN74S289	SN54S289/SN74S289	3301A	SN54187/SN74187	SN54187/SN74187
3101A	SN54S289/SN74S289	SN54S289/SN74S289	3304		SN54S473/SN74S473
3102		SN54S200A/SN74S200A	3404A		SN54S373/SN74S373
3106A	SN54S200A/SN74S200A	SN54S200A/SN74S200A	3601	SN54S387/SN74S387	SN54S387/SN74S387
	SN54S201/SN74S201	SN54S201/SN74S201	3604	SN54S475/SN74S475	SN54S475/SN74S475
	SN54S300A/SN74S300A	SN54S300A/SN74S300A	3621	SN54S287/SN74S287	SN54S287/SN74S287
3107A	SN54S301/SN74S301	SN54S301/SN74S301	3624	SN54S474/SN74S474	SN54S474/SN74S474
	SN74S214, SN74S314	SN74S214/SN74S314	8212	SN54S412/SN74S412	SN54S412/SN74S412
3110		SN54S138/SN74S138	8224	SN74LS424 (TIM8224)	SN74LS424 (TIM8224)
3205		SN54S412/SN74S412	8228	SN74S428 (TIM8228)	SN74S428 (TIM8228)
3212			8338	SN74S438 (TIM8238)	SN74S438 (TIM8238)

## INTERMIL

Example of Intersil ordering code:

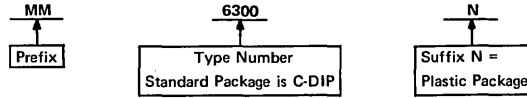


INTERMIL TYPE	TI DIRECT REPLACEMENT	RECOMMENDED FOR NEW DESIGNS	INTERMIL TYPE	TI DIRECT REPLACEMENT	RECOMMENDED FOR NEW DESIGNS
5501	SN54S289/SN74S289	SN54S289/SN74S289	5543	SN54S300A/SN74S300A	SN54S300A/SN74S300A
5502	SN5481A/SN7481A	SN5481A/SN7481A		SN54S301/SN74S301	SN54S301/SN74S301
5503	SN54S300A/SN74S300A	SN54S300A/SN74S300A	5553	SN54S200A/SN74S200A	SN54S200A/SN74S200A
	SN54S301/SN74S301	SN54S301/SN74S301	5600	SN54S188/SN74S188	SN54S188/SN74S188
5508	SN54S214/SN74S214	SN54S214/SN74S214	5602	SN54S475/SN74S475	SN54S475/SN74S475
	SN54S314/SN74S314	SN54S314/SN74S314	5603	SN54S387/SN74S387	SN54S387/SN74S387
55S08	SN54S314/SN74S314	SN54S314/SN74S314	5604		SN54S470/SN74S470
5512	SN5481A/SN7481A	SN5481A/SN7481A	5610	SN54S288/SN74S288	SN54S288/SN74S288
55S18	SN54S214/SN74S214	SN54S214/SN74S214	5623	SN54S287/SN74S287	SN54S287/SN74S287
	SN54S200A/SN74S200A	SN54S200A/SN74S200A	5624	SN54S370/SN74S370	SN54S370/SN74S370
5523	SN54S201/SN74S201	SN54S201/SN74S201	5625	SN54S474/SN74S474	SN54S474/SN74S474
	SN54S300A/SN74S300A	SN54S300A/SN74S300A			
5533	SN54S301/SN74S301	SN54S301/SN74S301			

2

## MONOLITHIC MEMORIES

Example of Monolithic Memories ordering code:

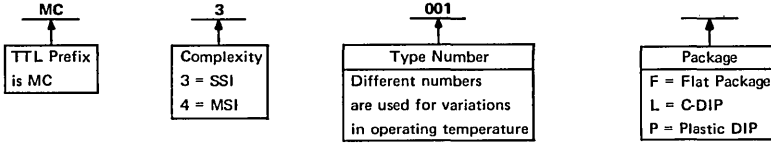


MONOLITHIC MEMORIES			MONOLITHIC MEMORIES		
<u>TYPE</u>	<u>TI DIRECT REPLACEMENT</u>	<u>RECOMMENDED FOR NEW DESIGNS</u>	<u>TYPE</u>	<u>TI DIRECT REPLACEMENT</u>	<u>RECOMMENDED FOR NEW DESIGNS</u>
A5200		SN54S473/SN74S473	5335		SN54S470/SN74S470
A5240		SN54S473/SN74S473	5340	SN54S475/SN74S475	SN54S475/SN74S475
A5241		SN54S472/SN74S472	5341	SN54S474/SN74S474	SN54S474/SN74S474
A5280		SN54S473/SN74S473	5348	SN54S473/SN74S473	SN54S473/SN74S473
A5281		SN54S472/SN74S472	5349	SN54S472/SN74S472	SN54S472/SN74S472
A6240		SN54S473/SN74S473	5530	SN54S301/SN74S301	SN54S301/SN74S301
A6241		SN54S472/SN74S472	5531	SN54S201/SN74S201	SN54S201/SN74S201
A6280		SN54S473/SN74S473	5560	SN54S289/SN74S289	SN54S289/SN74S289
A6281		SN54S472/SN74S472	5561	SN54S189/SN74S189	SN54S189/SN74S189
H5200	SN54187/SN74187	SN54187/SN74187	6200	SN54187/SN74187	SN54187/SN74187
H5201	SN54S287/SN74S287	SN54S287/SN74S287	6201	SN54S387/SN74S387	SN54S387/SN74S387
H5240		SN54S473/SN74S473	6205	SN54S270/SN74S270	SN54S270/SN74S270
H5241		SN54S472/SN74S472	6206	SN54S370/SN74S370	SN54S370/SN74S370
H6200		SN54S473/SN74S473	6210		SN54S470/SN74S470
H6201	SN54S287/SN74S287	SN54S287/SN74S287	6225		SN54S473/SN74S473
H6240		SN54S473/SN74S473	6230	SN5488A/SN7488A	SN5488A/SN7488A
H6241		SN54S472/SN74S472	6231		SN54S473/SN74S473
5200	SN54187/SN74187	SN54187/SN74187	6235		SN54S470/SN74S470
5201	SN54S387/SN74S387	SN54S387/SN74S387	6260		SN54S473/SN74S473
5205	SN54S270/SN74S270	SN54S270/SN74S270	6300	SN54S387/SN74S387	SN54S387/SN74S387
5206	SN54S370/SN74S370	SN54S370/SN74S370	6301	SN54S287/SN74S287	SN54S287/SN74S287
5210		SN54S470/SN74S470	6305		SN54S470/SN74S470
5225		SN54S470/SN74S470	6306		SN54S471/SN74S471
5230	SN5488A/SN7488A	SN5488A/SN7488A	6308	SN54S470/SN74S470	SN54S470/SN74S470
5231	SN54S188A/SN74S188A	SN54S188A/SN74S188A	6309	SN54S471/SN74S471	SN54S471/SN74S471
5235		SN54S470/SN74S470	6330	SN54S188A/SN74S188A	SN54S188A/SN74S188A
5255		SN54S473/SN74S473	6331	SN54S288/SN74S288	SN54S288/SN74S288
5260		SN54S473/SN74S473	6335		SN54S470/SN74S470
5300	SN54S387/SN74S387	SN54S387/SN74S387	6340	SN54S475/SN74S475	SN54S475/SN74S475
5301	SN54S287/SN74S287	SN54S287/SN74S287	6341	SN54S474/SN74S474	SN54S474/SN74S474
5305	SN54S270/SN74S270	SN54S270/SN74S270	6348	SN54S473/SN74S473	SN54S473/SN74S473
5306	SN54S370/SN74S370	SN54S370/SN74S370	6349	SN54S472/SN74S472	SN54S472/SN74S472
5308	SN54S470/SN74S470	SN54S470/SN74S470	6530	SN54S301/SN74S301	SN54S301/SN74S301
5309	SN54S471/SN74S471	SN54S471/SN74S471	6531	SN54S201/SN74S201	SN54S201/SN74S201
5330	SN54S188A/SN74S188A	SN54S188A/SN74S188A	6560	SN54S289/SN74S289	SN54S289/SN74S289
5331	SN54S288/SN74S288	SN54S288/SN74S288	6561	SN54S189/SN74S189	SN54S189/SN74S189

2

# MOTOROLA

Example of Motorola order code:



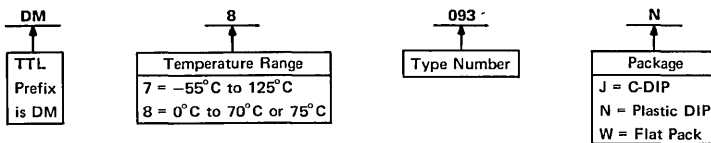
MOTOROLA TYPE	TI DIRECT REPLACEMENT	RECOMMENDED FOR NEW DESIGNS	MOTOROLA TYPE	TI DIRECT REPLACEMENT	RECOMMENDED FOR NEW DESIGNS
MC3000	SN74H00	SN74S00	MC3107		SN54S15
MC3001	SN7408	SN74S11	MC3108	SN54H04	SN54S04
MC3002		SN74S02	MC3109	SN54H05	SN54S05
MC3003	SN7432	SN7432	MC3110	SN54H20	SN54S20
MC3004	SN74H01	SN74S03	MC3111	SN54H21	SN54S11
MC3005	SN74H10	SN74S10	MC3112	SN54H22	SN54S22
MC3006	SN74H11	SN74S11	MC3115		SN54S133, SN54S134
MC3007		SN74S15	MC3116	SN54H30	SN54S133
MC3008	SN74H04	SN74S04	MC3118	SN54H62	SN54S11
MC3009	SN74H05	SN74S05	MC3119	SN54H61	SN54S11
MC3010	SN74H20	SN74S20	MC3120	SN54H50	SN54S51
MC3011	SN74H21	SN74S11	MC3121	SN54S86	SN54S86
MC3012	SN74H22	SN74S22	MC3122		SN54S135
MC3015		SN74S133, SN74S134	MC3123	SN54H51	SN54S51
MC3016	SN74H30	SN74S133	MC3124	SN54H40	SN54S40
MC3018	SN74H62	SN74S11	MC3125	SN54H40	SN54S40
MC3019	SN74H61	SN74S11	MC3126		SN54S37, SN54S38
MC3020	SN74H50	SN74S51	MC3128		SN54S37, SN54S38
MC3021	SN74S86	SN74S86	MC3129		SN54S37, SN54S38
MC3022		SN74S135	MC3130	SN54H60	SN54S11
MC3023	SN74H51	SN74S51	MC3131	SN54H52	SN54S64
MC3024	SN74H40	SN74S40	MC3132	SN54H53	SN54S64
MC3025	SN74H40	SN74S40	MC3133	SN54H54	SN54S64
MC3026		SN74S140	MC3134	SN54H55	SN54S64
MC3028		SN74S240, SN74S241	MC3150		SN54S373, SN54S374
MC3029		SN74S240, SN74S241	MC3151		SN54S373, SN54S374
MC3030	SN74H60	SN74S11	MC3152		SN54S373, SN54S374
MC3031	SN74H52	SN74S64	MC3154	SN54H71	SN54S112
MC3032	SN74H53	SN74S64	MC3155	SN54H72	SN54S112
MC3033	SN74H54	SN74S64	MC3160	SN54H74	SN54S74
MC3034	SN74H55	SN74S64	MC3161	SN54S114	SN54S114
MC3050		SN74S373, SN74S374	MC3162	SN54S113	SN54S113
MC3051		SN74S373, SN74S374	MC3163	SN54H73	SN54S112
MC3052		SN74S373, SN74S374	MC4000		SN74S139
MC3053		SN74S374	MC4001		SN74184/SN74185A
MC3054	SN74H71	SN74S112	MC4002		SN74S139
MC3055	SN74H72	SN74S112	MC4004	SN7481A	SN7481A
MC3060	SN74H74	SN74S74	MC4005	SN7481A	SN7481A
MC3061	SN74S114	SN74S114	MC4006		SN74S138
MC3062	SN74S113	SN74S113	MC4007		SN74S139
MC3063	SN74H73	SN74S112	MC4008		SN74S280

## MOTOROLA

<u>MOTOROLA</u> <u>TYPE</u>	<u>TI DIRECT</u> <u>REPLACEMENT</u>	<u>RECOMMENDED</u> <u>FOR NEW DESIGNS</u>	<u>MOTOROLA</u> <u>TYPE</u>	<u>TI DIRECT</u> <u>REPLACEMENT</u>	<u>RECOMMENDED</u> <u>FOR NEW DESIGNS</u>
MC3100	SN54H00	SN54S00	MC4010		SN74S135
MC3101	SN5408	SN54S11	MC4012		SN74S299
MC3102		SN54S02	MC4015		SN74S195
MC3103	SN5432	SN5432	MC4016		SN74S168
MC3104	SN54H01	SN54S03	MC4017		SN74S168
MC3105	SN54H10	SN54S10	MC4018		SN74S169
MC3106	SN54H11	SN54S11	MC4019		SN74S169
MC4021		SN74S85	MC4306		SN54S138
MC4022		SN74S85	MC4307		SN54S138, SN54S139
MC4023		SN74S260	MC4308		SN54S280
MC4025		SN74S124	MC4310		SN54S280
MC4026		SN74S381	MC4316		SN54S168
MC4027		SN74S381	MC4317		SN54S168
MC4028		SN74S281	MC4318		SN54S169
MC4029		SN74S281	MC4319		SN54S169
MC4029		SN74S281	MC4324		SN54S124
MC4030		SN74S281	MC4326		SN54S381
MC4031		SN74S281	MC4327		SN54S381
MC4032		SN74S182	MC4328		SN54S281
MC4035		SN74S373, SN74S374	MC4329		SN54S281, SN54S281
MC4037		SN74S373, SN74S374	MC4330		SN54S281, SN74S381
MC4038		SN74S138	MC4331		SN54S281
MC4039		SN74S143, SN74S144	MC4332		SN54S182
MC4040		SN74S139	MC4335		SN54S373, SN54S374
MC4042		SN74S240, SN74S241	MC4337		SN54S373, SN54S374
MC4043		SN74S240, SN74S241	MC4350		SN54143
MC4048		SN74S138	MC9310	SN54160	SN54160
MC4050		SN74143	MC9311	SN54154	SN54154
MC4051		SN74144	MC9316	SN54161	SN54161
MC4062		SN74S64	MCM4002	SN7488A	SN7488A
MC4300		SN54S139	MCM4004	SN7481A	SN7481A
MC4304	SN5481A	SN5481A	MCM4005	SN7481A	SN7481A
MC4305	SN5481A	SN5481A	MCM4006	SN74S387	SN74S387

## NATIONAL

Example of National order code:



NATIONAL TYPE	TI DIRECT REPLACEMENT	RECOMMENDED FOR NEW DESIGNS	NATIONAL TYPE	TI DIRECT REPLACEMENT	RECOMMENDED FOR NEW DESIGNS
7091		SN5437	7553		SN54S163
7093	SN54125	SN54125	7554		SN54S373, SN54S374
7094	SN54126	SN54126	7555		SN54S168
7095	SN54365	SN54365	7556		SN54S169
7096	SN54366	SN54366	7560	SN54192	SN54192
7097	SN54367	SN54367	75L60	SN54L192	SN54L192
7098	SN54368	SN54368	7563	SN54193	SN54193
7121	SN54251	SN54251	75L63	SN54L193	SN54L193
71L22	SN54L157	SN54L157	7570	SN54164	SN54164
7123	SN54S257	SN54S257	7573	SN54S387	SN54S387
7130		SN54S85	7574	SN54S188	SN54S188
7131		SN54S85	7577	SN54S188	SN54S188
7136		SN5485	7578	SN54S288	SN54S288
7160		SN54S85	7582	SN54S301	SN54S301
7200		SN54S85	7588	SN54S188	SN54S188
7210		SN54151A, SN54351	7590	SN54165	SN54165
7211		SN54151A, SN54351	7594		SN54S200A
7213	SN54154	SN54154	7595	SN54S473	SN54S473
7214	SN54LS253	SN54LS253	7596		SN54S472
7219		SN54150	7597	SN54S287, SN54S370	SN54S287, SN54S370
7220		SN54S280	7598		SN54S471
7223		SN54S139	7599	SN54S189	SN54S189
7230		SN54S257	7600		SN54194
7280	SN54176	SN54176	7613		SN54376
7281	SN54177	SN54177	76L70	SN54L164	SN54L164
7283	SN5483A	SN5483A	7795		SN54S473
7288		SN5492A	7796		SN54S472
7290	SN54196	SN54196	7810	5426	5426
7291	SN54197	SN54197	7811		SN5426
7511		SN54376	7812	SN5416	SN5416
7512		SN54376	7819		SN54S240, SN54S241
7520		SN5497	7853		SN54221
7544		SN54265	7875A		SN54284
7551	SN54173	SN54173	7875B		SN54285
7552		SN54S162	8091		SN74S240, SN74S241
8093	SN74125	SN74125	8551	SN74173	SN74173
8094	SN74126	SN74126	8552		SN74S162
8095	SN74365	SN74365	8553		SN74S163
8096	SN74366	SN74366	8554		SN74S373, SN74S374
8097	SN74367	SN74367	8555		SN74S168
8098	SN74368	SN74368	8556		SN74S169

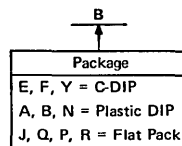
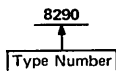
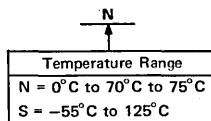
2

## NATIONAL

NATIONAL <u>TYPE</u>	TI DIRECT <u>REPLACEMENT</u>	RECOMMENDED <u>FOR NEW DESIGNS</u>	NATIONAL <u>TYPE</u>	TI DIRECT <u>REPLACEMENT</u>	RECOMMENDED <u>FOR NEW DESIGNS</u>
8121	SN74251	SN74251	8560	SN74192	SN74192
81L22	SN74L157	SN74L157	85L60	SN74L192	SN74LS192
8123	SN74S257	SN74S257	8563	SN74193	SN74193
8130		SN74S85	85L63	SN74L193	SN74LS193
8131		SN74S85	8570	SN74164	SN74164
8136		SN7485	8573	SN74S387	SN74S387
8160		SN74S85	8574	SN74S287	SN74S287
8200		SN74S85	8577	SN74S188	SN74S188
8210		SN74151A, SN74351	8578	SN74S288	SN74S288
8211		SN74151A, SN74351	8579	SN74164	SN74164
8213	SN74154	SN74154	8580	SN7495A	SN7495A
8214	SN74LS253	SN74LS253	8582	SN74S301	SN74S301
8219		SN74150	8588	SN7488A	SN7488A
8220		SN74S280	8590	SN74165	SN74165
8223		SN74S139	8597	SN74S287, SN74S370	SN74S287, SN74S370
8230		SN74S257	8598		SN7488A
8280	SN74176	SN74176	8599	SN74S189	SN74S189
8281	SN74177	SN74177	8640	SN74141	SN74141
8283	SN7483A	SN7483A	86L70	SN74L164	SN74L164
8288		SN7492A	8810	SN7426	SN7426
8290	SN74196	SN74196	8811		SN7426
8291	SN74197	SN74197	8812		SN7416
8296	SN74196	SN74196	8819		SN7426
8500	SN7476	SN7476	8842	SN7442A	SN7442A
8501	SN7473	SN7473	8846	SN7446A	SN7446A
8510	SN7474	SN7474	8847	SN7447A	SN7447A
8511		SN74276	8848	SN7448	SN7448
8512		SN74276	8853		SN74221
8520		SN7497	8875A		SN74S274
8530	SN7490A	SN7490A	8875B		SN74S274
8532	SN7492A	SN7492A			
8533	SN7493A	SN7493A			
8544		SN74265			

## SIGNETICS

Example of Signetics order code:



SIGNETICS <u>TYPE</u>	TI DIRECT <u>REPLACEMENT</u>	RECOMMENDED <u>FOR NEW DESIGNS</u>	SIGNETICS <u>TYPE</u>	TI DIRECT <u>REPLACEMENT</u>	RECOMMENDED <u>FOR NEW DESIGNS</u>
8H16		SN54S20/SN74S20	8201		SN54174/SN74174
8H20		SN54S112/SN74S112	8202		SN54174/SN74174
8H21		SN54S112/SN74S112	8203		SN54174/SN74174
8H22		SN54S112/SN74S112	8204		SN54S471/SN74S471
8H70	SN54H11/SN74H11	SN54S11/SN74S11	8205		SN54S472/SN74S472

## SIGNETICS

<u>SIGNETICS</u>	<u>TI DIRECT</u>	<u>RECOMMENDED</u>
<u>TYPE</u>	<u>REPLACEMENT</u>	<u>FOR NEW DESIGNS</u>
8H80	SN54H00/SN74H00	SN54S00/SN74S00
8H90	SN54H04/SN74H04	SN54S04/SN74S04
8T01		SN74141
8T04		SN547A/SN7447A
8T05		SN5448/SN7448
8T06		SN54143/SN74143
8T09		SN54128/SN74128
8T10	SN54173/SN74173	SN74173
8T13		SN54128/SN74128
8T18		SN5426/SN5426
8T20		SN54121/SN74121
8T22	SN54122/SN74122	SN54122/SN74122
8T23		SN54128/SN74128
8T24		
8T26		SN54125/SN74125
8T28		SN54S240/SN74S240
		SN54S241/SN74S241
8T51		SN54143/SN74143
		SN54144/SN74144
8T54		SN54143/SN74143
		SN54144/SN74144
8T59		SN54143/SN74143
		SN54144/SN74144
8T71		SN54143/SN74143
		SN54144/SN74144
8T74		SN54143/SN74143
		SN54144/SN74144
8T75		SN54143/SN74143
		SN54144/SN74144
8T79		SN54143/SN74143
		SN54144/SN74144
8T80		SN5426/SN7426
8T90		SN5406/SN7406
8T93		SN54125/SN74125
		SN54425/SN74425
8T94		SN54125/SN74125
		SN54425/SN74425
8T95		SN54365/SN74365
8T96		SN54366/SN74366
8T97		SN54367/SN74367
8T98		SN54368/SN74368
8162		SN54121/SN74121
8200		SN54174/SN74174
8260		SN54S281/SN74S281
8261		SN54S182/SN74S182
8262		SN54180/SN74180
82S63		SN54S280/SN74S280
8263		SN54153/SN74153
8264		SN54153/SN74153
8266		SN54157/SN74157
82S66		SN54S157/SN74S157

<u>SIGNETICS</u>	<u>TI DIRECT</u>	<u>RECOMMENDED</u>
<u>TYPE</u>	<u>REPLACEMENT</u>	<u>FOR NEW DESIGNS</u>
8206	SN54S200A/SN74S200A	SN54S200A/SN74S200A
	SN54S201/SN74S201	SN54S201/SN74S201
82S06	SN54S200A/SN74S200A	SN54S200A/SN74S200A
	SN54S201/SN74S201	SN54S201/SN74S201
8207	SN54S300A/SN74S300A	SN54S300A/SN74S300A
	SN54S301/SN74S301	SN54S301/SN74S301
82S07	SN54S300A/SN74S300A	SN54S300A/SN74S300A
	SN54S301/SN74S301	SN54S301/SN74S301
82S08	SN54S314/SN74S314	SN54S314/SN74S314
82S10	SN54S314/SN74S314	SN54S314/SN74S314
82S11	SN54S214/SN74S214	SN54S214/SN74S214
82S16	SN54S200A/SN74S200A	SN54S200A/SN74S200A
	SN54S201/SN74S201	SN54S201/SN74S201
82S17	SN54S300A/SN74S300A	SN54S300A/SN74S300A
	SN54S301/SN74S301	SN54S301/SN74S301
8223	SN54S188/SN74S188	SN54S188/SN74S188
8224	SN5488A/SN7488A	SN5488A/SN7488A
8225	SN54S289/SN74S289	SN54S289/SN74S289
82S25	SN54S289/SN74S289	SN54S289/SN74S289
82S26	SN54S387/SN74S387	SN54S387/SN74S387
8228		SN54S471/SN74S471
82S29	SN54S287/SN74S287	SN54S287/SN74S287
8230	SN39312/SN29312	SN54151A/SN74151A
82S30		SN54S151A/SN74S151A
8231		SN54S251/SN74S251
82S31		SN54S151/SN74S151
8232		SN54151A/SN74151A
82S32		SN54S151/SN74S151
8233		SN54157/SN74157
82S33		SN54S157/SN74S157
8234		SN54S258/SN74S258
82S34		SN54S258/SN74S258
8235		SN4H87/SN74H87
8241		SN5486/SN7486
82S41		SN54S86/SN74S86
8242	SN54LS266/SN74LS266	SN54LS266/SN74LS266
82S42		SN54S135/SN74S135
8243		SN54198/SN74198
8250		SN5442A/SN7442A
82S50		SN54138/SN74138
8252	SN39301/SN29301	SN5442A/SN7442A
82S52		SN54S280/SN74S280
8255	SN54S289/SN74S289	SN54S289/SN74S289
82147	SN54147/SN74147	SN54147/SN74147
82148	SN54148/SN74148	SN54148/SN74148
8415		SN5420/SN7420
8416		SN5420/SN7420
8417		SN5410/SN7410
8424		SN54111/SN74111
8425		SN54111/SN74111
8440		SN5450/SN7450



## SIGNETICS

SIGNETICS			SIGNETICS		
TYPE	TI DIRECT REPLACEMENT	RECOMMENDED FOR NEW DESIGNS	TYPE	TI DIRECT REPLACEMENT	RECOMMENDED FOR NEW DESIGNS
8267		SN54157/SN74157	8455	SN5440/SN7440	SN5440/SN7440
8268	SN5480/SN7480	SN54181/SN74181	8470	SN5410/SN7410	SN5410/SN7410
8269		SN5485/SN7485	8471	SN5412/SN7412	SN5412/SN7412
8270	SN54178/SN74178	SN54194/SN74194	8480	SN5400/SN7400	SN5400/SN7400
82S70		SN54S299/SN74S299	8481	SN5403/SN7403	SN5403/SN7403
8271	SN54179/SN74179	SN54194/SN74194	8490	SN5404/SN7404	SN5404/SN7404
82S71		SN54S299/SN74S299	8706		SN5460/SN7460
8273		SN54198/SN74198	8731		SN5460/SN7460
8274		SN54198/SN74198	8806	SN5460/SN7460	SN5460/SN7460
8275		SN54174/SN74174	8808	SN5430/SN7430	SN5430/SN7430
8276		SN5491A/SN7491A	8815	SN5425/SN7425	SN5425/SN7425
8277		SN5491A/SN7491A	8816		SN5420/SN7420
8280	SN54176/SN74176	SN54176/SN74176	8821		SN5476/SN7476
8281	SN54177/SN74177	SN54177/SN74177	8822		SN54107/SN74107
8283		SN54S169/SN74S169	8824		SN5476/SN7476
8284		SN54S169/SN74S169	8825		SN5470/SN7470
8285		SN54S168/SN74S169	8826		SN54107/SN74107
8288		SN54163/SN74163	8827		SN5476/SN7476
8290	SN54196/SN74196	SN54196/SN74196	8828	SN5474/SN7474	SN5474/SN7474
82S90	SN54S196/SN74S196	SN54S196/SN74S196	8829	SN54110/SN74110	SN54110/SN74110
8291	SN54197/SN74197	SN54LS197/SN74LS197	8840	SN5450/SN7450	SN5450/SN7450
82S91	SN54S197/SN74S197	SN54S197/SN74S197	8848	SN54H54/SN74H74	SN54S64/SN74S64
8292	SN54LS196/SN74S196	SN54LS196/SN74LS196	8855		SN5440/SN7440
8293	SN54LS197/SN74LS197	SN54LS197/SN74LS197	8859	SN5450/SN7450	SN5450/SN7450
82S110	SN54S314/SN74S314	SN54S314/SN74S314	8870		SN5410/SN7410
82S111	SN54S214/SN74S214	SN54S214/SN74S214	8875	SN5427/SN7427	SN5427/SN7427
	SN54S200A/SN74S200A	SN54S200A/SN74S200A	8879	SN5410/SN7410	SN5410/SN7410
82S116	SN54S201/SN74S201	SN54S201/SN74S201	8880		SN5400/SN7400
	SN54S300A/SN74S300A	SN54S300A/SN74S300A	8881	SN5401/SN7401	SN5401/SN7401
82S117	SN54S301/SN74S301	SN54S301/SN74S301	8885		SN5402/SN7402
82S123	SN54S288/SN74S288	SN54S288/SN74S288	8889		SN5401/SN7401
82S124	SN54S387/SN74S387	SN54S387/SN74S387	8890	SN5404/SN7404	SN5404/SN7404
82S126	SN54S387/SN74S387	SN54S387/SN74S387	8891	SN5405/SN7405	SN5405/SN7405
82S129	SN54S287/SN74S287	SN54S287/SN74S287			
82S130	SN54170/SN74170	SN54170/SN74170			

# General Information



# GLOSSARY

## TTL TERMS AND DEFINITIONS

---

### INTRODUCTION

These symbols, terms, and definitions are in accordance with those currently agreed upon by the JEDEC Council of the Electronic Industries Association (EIA) for use in the USA and by the International Electrotechnical Commission (IEC) for international use.

### PART I – OPERATING CONDITIONS AND CHARACTERISTICS (INCLUDING LETTER SYMBOLS)

#### Clock Frequency

**Maximum clock frequency,  $f_{max}$**

The highest rate at which the clock input of a bistable circuit can be driven through its required sequence while maintaining stable transitions of logic level at the output with input conditions established that should cause changes of output logic level in accordance with the specification.

#### Current

**High-level input current,  $I_{IH}$**

The current into\* an input when a high-level voltage is applied to that input.

**High-level output current,  $I_{OH}$**

The current into\* an output with input conditions applied that according to the product specification will establish a high level at the output.

**Low-level input current,  $I_{IL}$**

The current into\* an input when a low-level voltage is applied to that input.

**Low-level output current,  $I_{OL}$**

The current into\* an output with input conditions applied that according to the product specification will establish a low level at the output.

**Off-state output current,  $I_{O(off)}$**

The current flowing into\* an output with input conditions applied that according to the product specification will cause the output switching element to be in the off state.

**Note:** This parameter is usually specified for open-collector outputs intended to drive devices other than logic circuits.

**Off-state (high-impedance-state) output current (of a three-state output),  $I_{OZ}$**

The current into\* an output having three-state capability with input conditions applied that according to the product specification will establish the high-impedance state at the output.

**Short-circuit output current,  $I_{OS}$**

The current into\* an output when that output is short-circuited to ground (or other specified potential) with input conditions applied to establish the output logic level farthest from ground potential (or other specified potential).

**Supply current,  $I_{CC}$**

The current into\* the  $V_{CC}$  supply terminal of an integrated circuit.

\*Current out of a terminal is given as a negative value.

# GLOSSARY

## TTL TERMS AND DEFINITIONS

---

### Hold Time

**Hold time,  $t_H$** 

The interval during which a signal is retained at a specified input terminal after an active transition occurs at another specified input terminal.

- NOTES:
1. The hold time is the actual time between two events and may be insufficient to accomplish the intended result. A minimum value is specified that is the shortest interval for which correct operation of the logic element is guaranteed.
  2. The hold time may have a negative value in which case the minimum limit defines the longest interval (between the release of data and the active transition) for which correct operation of the logic element is guaranteed.

### Output Enable and Disable Time

**Output enable time (of a three-state output) to high level,  $tpZH$  (or low level,  $tpZL$ )<sup>†</sup>**

The propagation delay time between the specified reference points on the input and output voltage waveforms with the three-state output changing from a high-impedance (off) state to the defined high (or low) level.

**Output enable time (of a three-state output) to high or low level,  $tpZX$ <sup>†</sup>**

The propagation delay time between the specified reference points on the input and output voltage waveforms with the three-state output changing from a high-impedance (off) state to either of the defined active levels (high or low).

**Output disable time (of a three-state output) from high level,  $tpHZ$  (or low level,  $tpLZ$ )<sup>†</sup>**

The propagation delay time between the specified reference points on the input and output voltage waveforms with the three-state output changing from the defined high (or low) level to a high-impedance (off) state.

**Output disable time (of a three-state output) from high or low level,  $tpXZ$ <sup>†</sup>**

The propagation delay time between the specified reference points on the input and output voltage waveforms with the three-state output changing from either of the defined active levels (high or low) to a high-impedance (off) state.

### Propagation Time

**Propagation delay time,  $tpD$** 

The time between the specified reference points on the input and output voltage waveforms with the output changing from one defined level (high or low) to the other defined level.

**Propagation delay time, low-to-high-level output,  $tpLH$** 

The time between the specified reference points on the input and output voltage waveforms with the output changing from the defined low level to the defined high level.

**Propagation delay time, high-to-low-level output,  $tpHL$** 

The time between the specified reference points on the input and output voltage waveforms with the output changing from the defined high level to the defined low level.

<sup>†</sup>On older data sheets, similar symbols without the P subscript were used; i.e.  $t_{ZH}$ ,  $t_{ZL}$ ,  $t_{HZ}$ , and  $t_{LZ}$ .

### Pulse Width

**Pulse width,  $t_w$**

The time interval between specified reference points on the leading and trailing edges of the pulse waveform.

### Recovery Time

**Sense recovery time,  $t_{SR}$**

The time interval needed to switch a memory from a write mode to a read mode and to obtain valid data signals at the output.

### Release Time

**Release time,  $t_{release}$**

The time interval between the release from a specified input terminal of data intended to be recognized and the occurrence of an active transition at another specified input terminal.

**Note:** When specified, the interval designated "release time" falls within the setup interval and constitutes, in effect, a negative hold time.

### Setup Time

**Setup time,  $t_{SU}$**

The time interval between the application of a signal that is maintained at a specified input terminal and a consecutive active transition at another specified input terminal.

**NOTES:** 1. The setup time is the actual time between two events and may be insufficient to accomplish the setup. A minimum value is specified that is the shortest interval for which correct operation of the logic element is guaranteed.

2. The setup time may have a negative value in which case the minimum limit defines the longest interval (between the active transition and the application of the other signal) for which correct operation of the logic element is guaranteed.

### Transition Time

**Transition time, low-to-high-level,  $t_{TLH}$**

The time between a specified low-level voltage and a specified high-level voltage on a waveform that is changing from the defined low level to the defined high level.

**Transition time, high-to-low-level,  $t_{THL}$**

The time between a specified high-level voltage and a specified low-level voltage on a waveform that is changing from the defined high level to the defined low level.

# GLOSSARY

## TTL TERMS AND DEFINITIONS

---

### Voltage

**High-level input voltage,  $V_{IH}$** 

An input voltage within the more positive (less negative) of the two ranges of values used to represent the binary variables.

NOTE: A minimum is specified that is the least positive value of high-level input voltage for which operation of the logic element within specification limits is guaranteed.

**High-level output voltage,  $V_{OH}$** 

The voltage at an output terminal with input conditions applied that according to the product specification will establish a high level at the output.

**Input clamp voltage,  $V_{IK}$** 

An input voltage in a region of relatively low differential resistance that serves to limit the input voltage swing.

**Low-level input voltage,  $V_{IL}$** 

An input voltage level within the less positive (more negative) of the two ranges of values used to represent the binary variables.

NOTE: A maximum is specified that is the most positive value of low-level input voltage for which operation of the logic element within specification limits is guaranteed.

**Low-level output voltage,  $V_{OL}$** 

The voltage at an output terminal with input conditions applied that according to the product specification will establish a low level at the output.

**Negative-going threshold voltage,  $V_{T-}$** 

The voltage level at an input that causes operation of the logic element according to specification as the input voltage falls from a level above the positive-going threshold voltage,  $V_{T+}$ .

**Off-state output voltage,  $V_{O(off)}$** 

The voltage at an output terminal with input conditions applied that according to the product specification will cause the output switching element to be in the off state.

Note: This characteristic is usually specified only for outputs not having internal pull-up elements.

**On-state output voltage,  $V_{O(on)}$** 

The voltage at an output terminal with input conditions applied that according to the product specification will cause the output switching element to be in the on state.

Note: This characteristic is usually specified only for outputs not having internal pull-up elements.

**Positive-going threshold voltage,  $V_{T+}$** 

The voltage level at an input that causes operation of the logic element according to specification as the input voltage rises from a level below the negative-going threshold voltage,  $V_{T-}$ .

# GLOSSARY

## TTL TERMS AND DEFINITIONS

---

### PART II — CLASSIFICATION OF CIRCUIT COMPLEXITY

#### Gate Equivalent Circuit

A basic unit-of-measure of relative digital-circuit complexity. The number of gate equivalent circuits is that number of individual logic gates that would have to be interconnected to perform the same function.

#### Large-Scale Integration, LSI

A concept whereby a complete major subsystem or system function is fabricated as a single microcircuit. In this context a major subsystem or system, whether digital or linear, is considered to be one that contains 100 or more equivalent gates or circuitry of similar complexity.

#### Medium-Scale Integration, MSI

A concept whereby a complete subsystem or system function is fabricated as a single microcircuit. The subsystem or system is smaller than for LSI, but whether digital or linear, is considered to be one that contains 12 or more equivalent gates or circuitry of similar complexity.

#### Small-Scale Integration, SSI

Integrated circuits of less complexity than medium-scale integration (MSI).

#### Very-Large-Scale Integration, VLSI

A concept whereby a complete system function is fabricated as a single microcircuit. In this context, a system, whether digital or linear, is considered to be one that contains 1000 or more gates or circuitry of similar complexity.

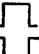

3



## EXPLANATION OF FUNCTION TABLES

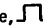
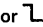
## EXPLANATION OF FUNCTION TABLES

The following symbols are now being used in function tables on TI data sheets:

- H = high level (steady state)
- L = low level (steady state)
- ↑ = transition from low to high level
- ↓ = transition from high to low level
- X = irrelevant (any input, including transitions)
- Z = off (high-impedance) state of a 3-state output
- a . . h = the level of steady-state inputs at inputs A through H respectively
- $Q_0$  = level of Q before the indicated steady-state input conditions were established
- $\bar{Q}_0$  = complement of  $Q_0$  or level of  $\bar{Q}$  before the indicated steady-state input conditions were established
- $Q_n$  = level of Q before the most recent active transition indicated by ↓ or ↑
-  = one high-level pulse
-  = one low-level pulse

TOGGLE = each output changes to the complement of its previous level on each active transition indicated by ↓ or ↑.

If, in the input columns, a row contains only the symbols H, L, and/or X, this means the indicated output is valid whenever the input configuration is achieved and regardless of the sequence in which it is achieved. The output persists so long as the input configuration is maintained.

If, in the input columns, a row contains H, L, and/or X together with ↑ and/or ↓, this means the output is valid whenever the input configuration is achieved but the transition(s) must occur following the achievement of the steady-state levels. If the output is shown as a level (H, L,  $Q_0$ , or  $\bar{Q}_0$ ), it persists so long as the steady-state input levels and the levels that terminate indicated transitions are maintained. Unless otherwise indicated, input transitions in the opposite direction to those shown have no effect at the output. (If the output is shown as a pulse,  or , the pulse follows the indicated input transition and persists for an interval dependent on the circuit.)

# TTL

## EXPLANATION OF FUNCTION TABLES

Among the most complex function tables in this book are those of the shift registers. These embody most of the symbols used in any of the function tables, plus more. Below is the function table of a 4-bit bidirectional universal shift register, e.g., type SN74194.

FUNCTION TABLE														
CLEAR	MODE		CLOCK	INPUTS				OUTPUTS						
	S1	S0		SERIAL		PARALLEL				Q <sub>A</sub>	Q <sub>B</sub>	Q <sub>C</sub>	Q <sub>D</sub>	
				LEFT	RIGHT	A	B	C	D					
L	X	X	X	X	X	X	X	X	X	X	L	L	L	L
H	X	X	L	X	X	X	X	X	X	X	Q <sub>A0</sub>	Q <sub>B0</sub>	Q <sub>C0</sub>	Q <sub>D0</sub>
H	H	H	↑	X	X	a	b	c	d		a	b	c	d
H	L	H	↑	X	H	X	X	X	X	H	Q <sub>An</sub>	Q <sub>Bn</sub>	Q <sub>Cn</sub>	Q <sub>Dn</sub>
H	L	H	↑	X	L	X	X	X	X	L	Q <sub>An</sub>	Q <sub>Bn</sub>	Q <sub>Cn</sub>	Q <sub>Dn</sub>
H	H	L	↑	H	X	X	X	X	X	Q <sub>Bn</sub>	Q <sub>Cn</sub>	Q <sub>Dn</sub>	H	L
H	H	L	↑	L	X	X	X	X	X	Q <sub>Bn</sub>	Q <sub>Cn</sub>	Q <sub>Dn</sub>	L	H
H	L	L	X	X	X	X	X	X	X	Q <sub>A0</sub>	Q <sub>B0</sub>	Q <sub>C0</sub>	Q <sub>D0</sub>	

The first line of the table represents a synchronous clearing of the register and says that if clear is low, all four outputs will be reset low regardless of the other inputs. In the following lines, clear is inactive (high) and so has no effect.

The second line shows that so long as the clock input remains low (while clear is high), no other input has any effect and the outputs maintain the levels they assumed before the steady-state combination of clear high and clock low was established. Since on other lines of the table only the rising transition of the clock is shown to be active, the second line implicitly shows that no further change in the outputs will occur while the clock remains high or on the high-to-low transition of the clock.

The third line of the table represents synchronous parallel loading of the register and says that if S1 and S0 are both high then, without regard to the serial input, the data entered at A will be at output Q<sub>A</sub>, data entered at B will be at Q<sub>B</sub>, and so forth, following a low-to-high clock transition.

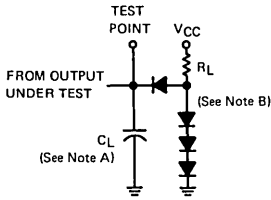
The fourth and fifth lines represent the loading of high- and low-level data, respectively, from the shift-right serial input and the shifting of previously entered data one bit; data previously at Q<sub>A</sub> is now at Q<sub>B</sub>, the previous levels of Q<sub>B</sub> and Q<sub>C</sub> are now at Q<sub>C</sub> and Q<sub>D</sub> respectively, and the data previously at Q<sub>D</sub> is no longer in the register. This entry of serial data and shift takes place on the low-to-high transition of the clock when S1 is low and S0 is high and the levels at inputs A through D have no effect.

The sixth and seventh lines represent the loading of high- and low-level data, respectively, from the shift-left serial input and the shifting of previously entered data one bit; data previously at Q<sub>B</sub> is now at Q<sub>A</sub>, the previous levels of Q<sub>C</sub> and Q<sub>D</sub> are now at Q<sub>B</sub> and Q<sub>C</sub>, respectively, and the data previously at Q<sub>A</sub> is no longer in the register. This entry of serial data and shift takes place on the low-to-high transition of the clock when S1 is high and S0 is low and the levels at inputs A through D have no effect.

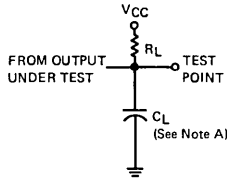
The last line shows that as long as both mode inputs are low, no other input has any effect and, as in the second line, the outputs maintain the levels they assumed before the steady-state combination of clear high and both mode inputs low was established.

# SERIES 54/74, 54H/74H, 54S/74S, AND SPECIFIED† SERIES 54L/74L DEVICES

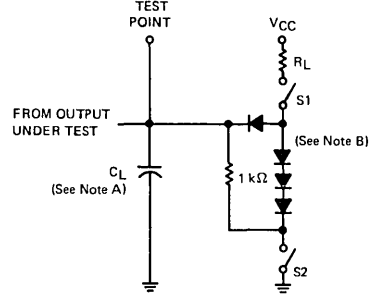
## PARAMETER MEASUREMENT INFORMATION



**LOAD CIRCUIT FOR BI-STATE TOTEM-POLE OUTPUTS**

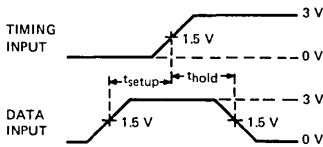


**LOAD CIRCUIT FOR OPEN-COLLECTOR OUTPUTS**

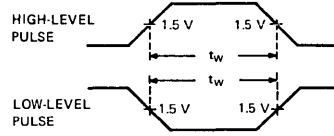


**LOAD CIRCUIT FOR THREE-STATE OUTPUTS**

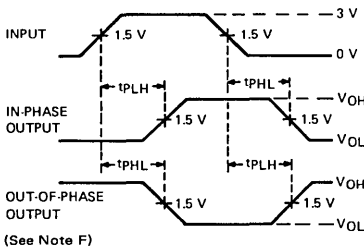
- NOTES: A.  $C_L$  includes probe and jig capacitance.  
B. All diodes are 1N916 or 1N3064.



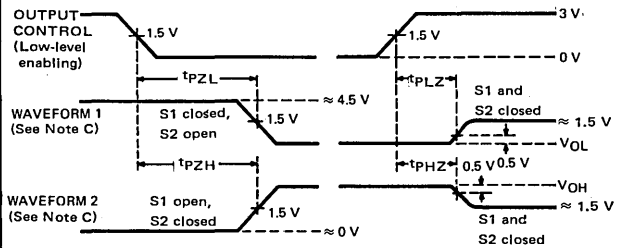
**VOLTAGE WAVEFORMS SETUP AND HOLD TIMES**



**VOLTAGE WAVEFORMS PULSE WIDTHS**



**VOLTAGE WAVEFORMS PROPAGATION DELAY TIMES**



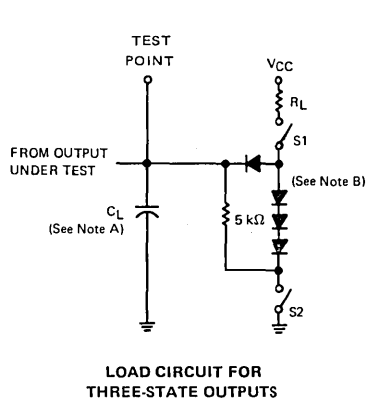
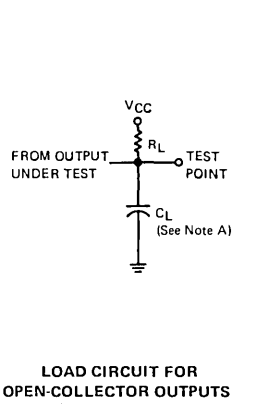
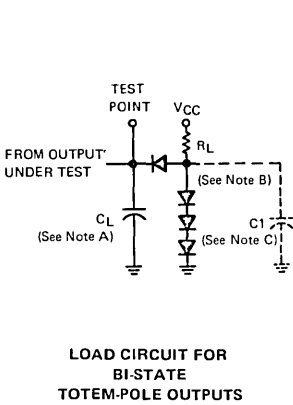
**VOLTAGE WAVEFORMS ENABLE AND DISABLE TIMES, THREE-STATE OUTPUTS**

- NOTES: C. Waveform 1 is for an output with internal conditions such that the output is low except when disabled by the output control. Waveform 2 is for an output with internal conditions such that the output is high except when disabled by the output control.  
D. In the examples above, the phase relationships between inputs and outputs have been chosen arbitrarily.  
E. All input pulses are supplied by generators having the following characteristics:  $PRR \leq 1$  MHz,  $Z_{out} \approx 50 \Omega$  and:  
For Series 54/74 and 54H/74H,  $t_r \leq 7$  ns,  $t_f \leq 7$  ns;  
For Specified† Series 54L/74L devices:  $t_r \leq 10$  ns,  $t_f \leq 10$  ns;  
For Series 54S/74S,  $t_r \leq 2.5$  ns,  $t_f \leq 2.5$  ns.  
F. When measuring propagation delay times of 3-state outputs, switches S1 and S2 are closed.

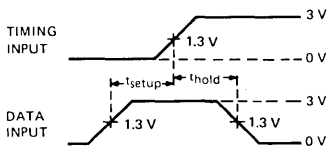
†L42, 'L43, 'L44, 'L46, 'L47, 'L75, 'L77, 'L96, 'L121, 'L122, 'L123, 'L153, 'L154, 'L157, 'L164

# SERIES 54LS/74LS AND MOST† SERIES 54L/74L DEVICES

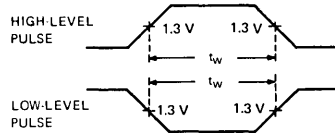
## PARAMETER MEASUREMENT INFORMATION



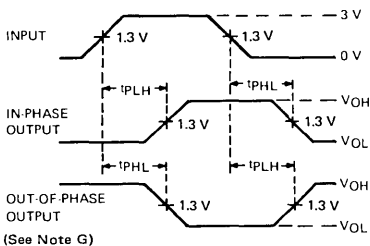
- NOTES: A.  $C_L$  includes probe and jig capacitance.  
 B. All diodes are 1N916 or 1N3064.  
 C. C1 (30 pF) is used for testing Series 54L/74L devices only.



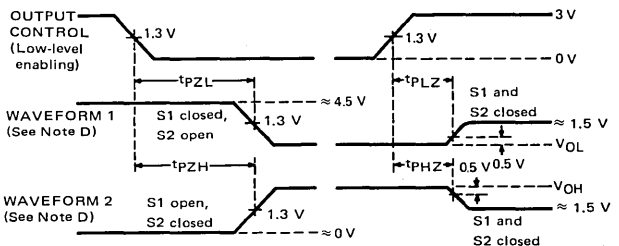
**VOLTAGE WAVEFORMS SETUP AND HOLD TIMES**



**VOLTAGE WAVEFORMS PULSE WIDTHS**



**VOLTAGE WAVEFORMS PROPAGATION DELAY TIMES**



**VOLTAGE WAVEFORMS ENABLE AND DISABLE TIMES, THREE-STATE OUTPUTS**

- NOTES: D. Waveform 1 is for an output with internal conditions such that the output is low except when disabled by the output control. Waveform 2 is for an output with internal conditions such that the output is high except when disabled by the output control.  
 E. In the examples above, the phase relationships between inputs and outputs have been chosen arbitrarily.  
 F. All input pulses are supplied by generators having the following characteristics:  $PRR \leq 1$  MHz,  $Z_{OUT} \approx 50 \Omega$  and:  
 For Series 54L/74L gates and inverters,  $t_r = 60$  ns,  $t_f = 60$  ns;  
 For Series 54L/74L flip-flops and MSI,  $t_r \leq 25$  ns,  $t_f \leq 25$  ns;  
 For Series 54LS/74LS,  $t_r \leq 15$  ns,  $t_f \leq 6$  ns.  
 G. When measuring propagation delay times of 3-state outputs, switches S1 and S2 are closed.

†Except 'L42, 'L43, 'L44, 'L46, 'L47, 'L75, 'L77, 'L96, 'L121, 'L122, 'L123, 'L153, 'L154, 'L157, 'L164



# Ordering Instructions and Mechanical Data



# TTL INTEGRATED CIRCUITS MECHANICAL DATA

## ORDERING INSTRUCTIONS

Electrical characteristics presented in this data book, unless otherwise noted, apply for circuit type(s) listed in the page heading regardless of package. The availability of a circuit function in a particular package is denoted by an alphabetical reference above the pin-connection diagram(s). These alphabetical references refer to mechanical outline drawings shown in this section.

Factory orders for circuits described in this catalog should include a four-part type number as explained in the following example.

EXAMPLE: SN 54LS75 J -00

### 1. Prefix

MUST CONTAIN TWO OR THREE LETTERS  
(From Individual Data Sheet)

RSN	Radiation-Hardened Circuit
SN	Standard Prefix
SNM	Mach IV, Level I
SNC	Mach IV, Level III
SNH	Mach IV, Level IV
SNJ	JAN Processed

### 2. Unique Circuit Description

MUST CONTAIN FOUR TO EIGHT CHARACTERS  
(From Individual Data Sheet)

Examples: 5410  
74H10  
54S112  
54L78  
74LS295A  
74188A

### 3. Package

MUST CONTAIN ONE OR TWO LETTERS  
J, JD, N, T, W

(From Pin-Connection Diagram on Individual Data Sheet)

### 4. Instructions (Dash No.)

MUST CONTAIN TWO NUMBERS  
(From Dash No. Column of Following Table)

PACKAGES	FORMED LEADS	SOLDER-DIPPED LEADS	INSULATOR	CARRIER	ORDER DASH NO.
----------	--------------	---------------------	-----------	---------	----------------

#### METAL FLAT PACKAGES

T	No	No	No	†	00
T	Yes	No	Yes	†	01
T	No	No	No	Mech-Pak	02
T	No	No	Yes	Mech-Pak	03
T	Yes	No	No	Mech-Pak	04
T	Yes	No	Yes	Mech-Pak	05
T	No	No	Yes	†	06
T	Yes	No	No	†	07
T	No	Yes	No	†	10
T	Yes	Yes	Yes	†	11
T	No	Yes	No	Mech-Pak	12
T	No	Yes	Yes	Mech-Pak	13
T	Yes	Yes	No	Mech-Pak	14
T	Yes	Yes	Yes	Mech-Pak	15
T	No	Yes	Yes	†	16
T	Yes	Yes	No	†	17

#### CERAMIC FLAT PACKAGES

W	No	No	N/A	†	00
W	No	Yes	N/A	†	10

#### DUAL-IN-LINE PACKAGES

J, JD, N	No	No	N/A	†	00
N	No	Yes	N/A	†	10

† These circuits are shipped in one of the carriers shown below. Unless a specific method of shipment is specified by the customer (with possible additional posts), circuits will be shipped in the most practical carrier. Please contact your TI sales representative for the method that will best suit your particular needs.

**Flat (T, W)**  
—Barnes Carrier  
—Milton Ross Carrier

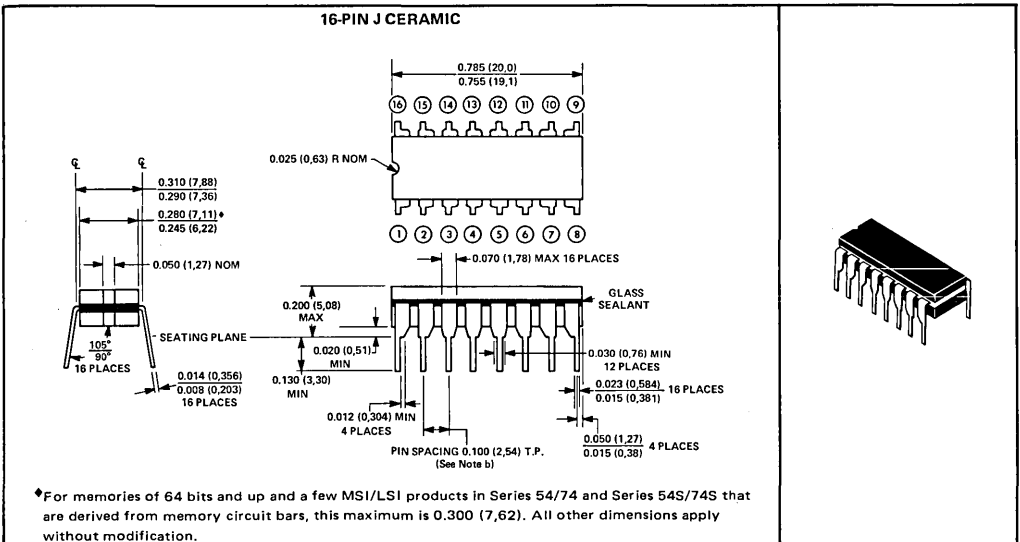
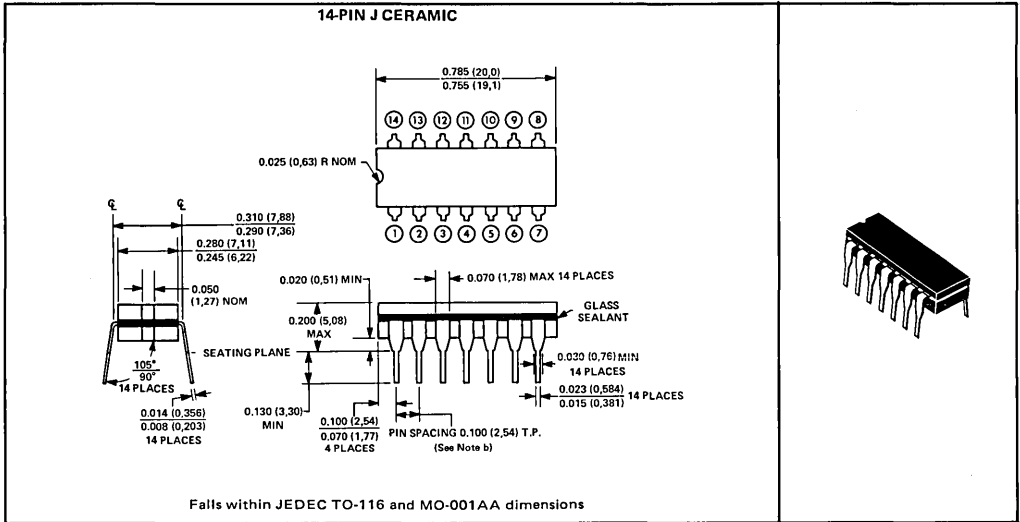
**Dual-in-line (J, JD, N)**  
—Slide Magazines  
—A-Channel Plastic Tubing  
—Barnes Carrier (N only)  
—Sectioned Cardboard Box  
—Individual Plastic Box



# TTL INTEGRATED CIRCUITS MECHANICAL DATA

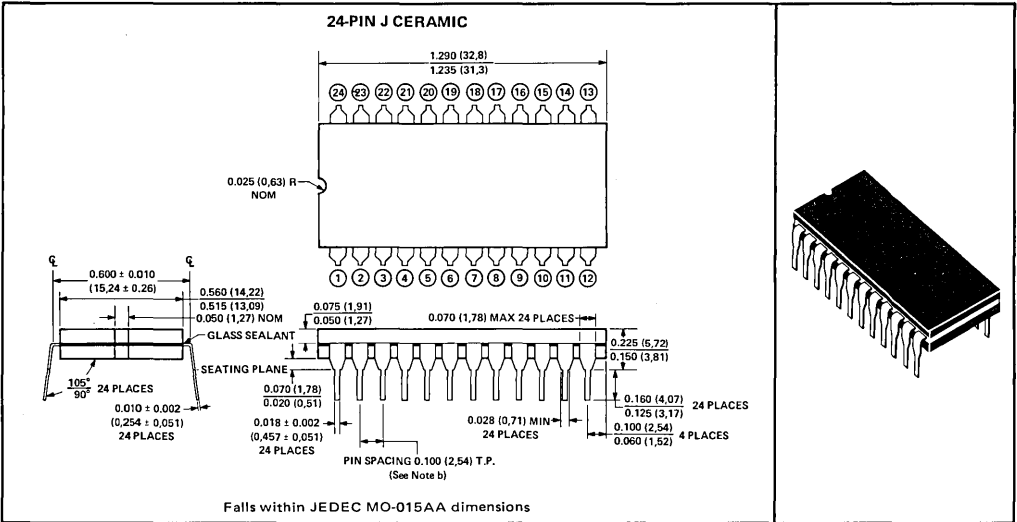
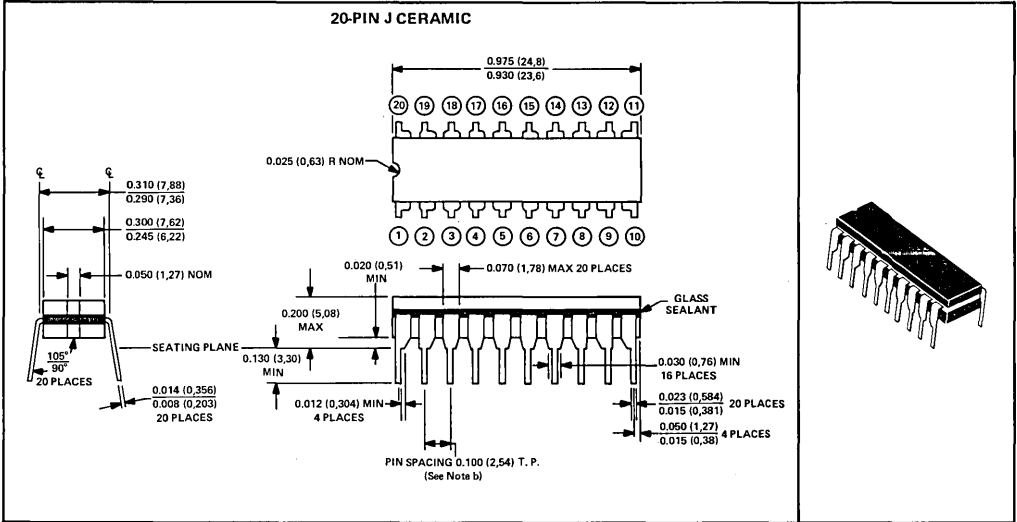
## J ceramic dual-in-line package

These hermetically sealed dual-in-line packages consist of a ceramic base, ceramic cap, and a 14-, 16-, 20-, or 24-lead frame. Hermetic sealing is accomplished with glass. The packages are intended for insertion in mounting-hole rows on 0.300 (7,62) or 0.600 (15,24) centers. Once the leads are compressed and inserted, sufficient tension is provided to secure the package in the board during soldering. Tin-plated ("bright-dipped") leads (-00) require no additional cleaning or processing when used in soldered assembly.



# TTL INTEGRATED CIRCUITS MECHANICAL DATA

## J ceramic dual-in-line packages (continued)

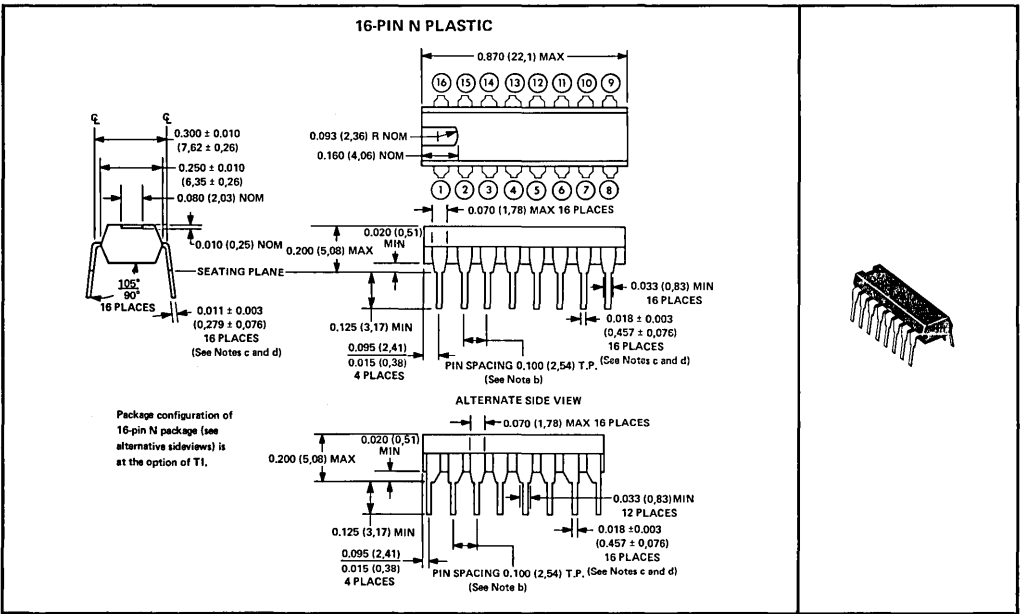
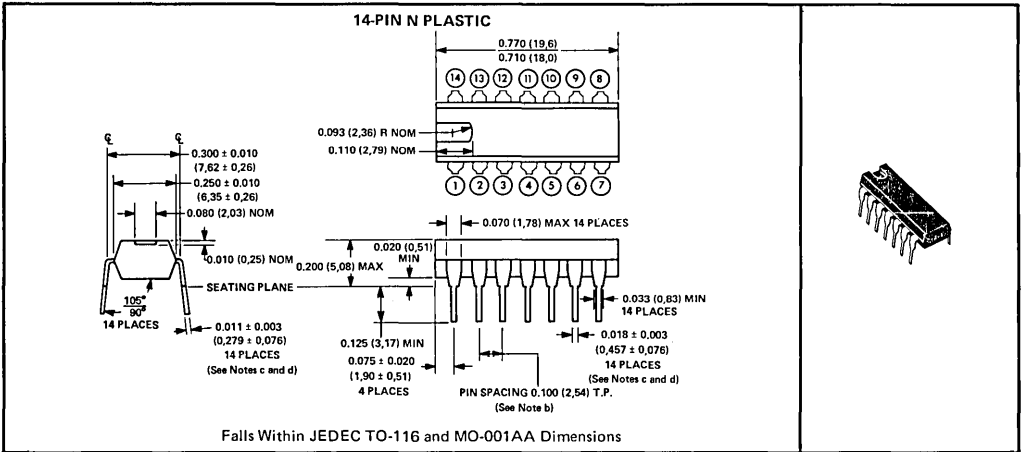


NOTES: a. All dimensions are shown in inches (and parenthetically in millimeters for reference only). Inch dimensions govern.  
 b. Each pin centerline is located within 0.010 (0,26) of its true longitudinal position.

# TTL INTEGRATED CIRCUITS MECHANICAL DATA

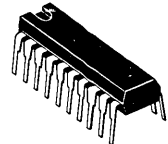
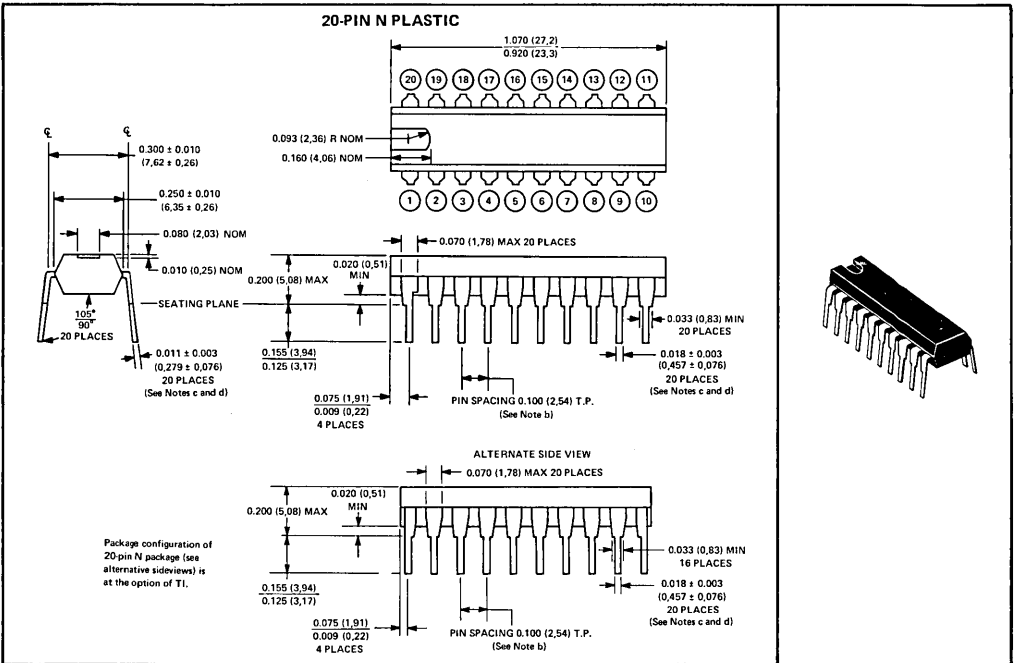
## N plastic dual-in-line packages

These dual-in-line packages consist of a circuit mounted on a 14-, 16-, 20-, or 28-lead frame and encapsulated within an electrically nonconductive plastic compound. The compound will withstand soldering temperature with no deformation and circuit performance characteristics remain stable when operated in high-humidity conditions. The packages are intended for insertion in mounting hole rows on 0.300 (7,62) or 0.600 (15,24) centers. Once the leads are compressed and inserted, sufficient tension is provided to secure the package in the board during soldering. Leads require no additional cleaning or processing when used in soldered assembly.

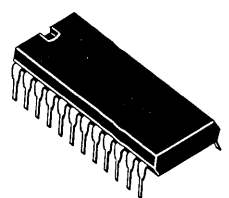
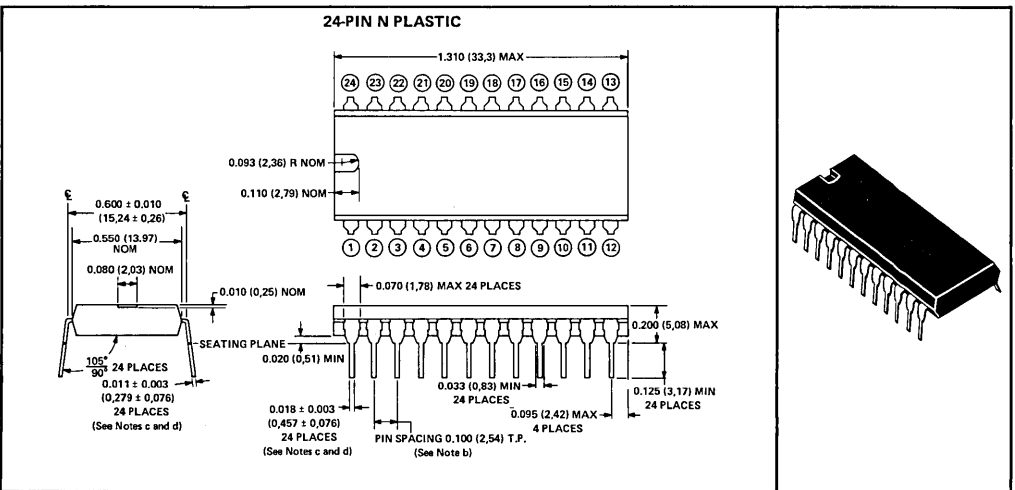


# TTL INTEGRATED CIRCUITS MECHANICAL DATA

## N plastic dual-in-line packages (continued)



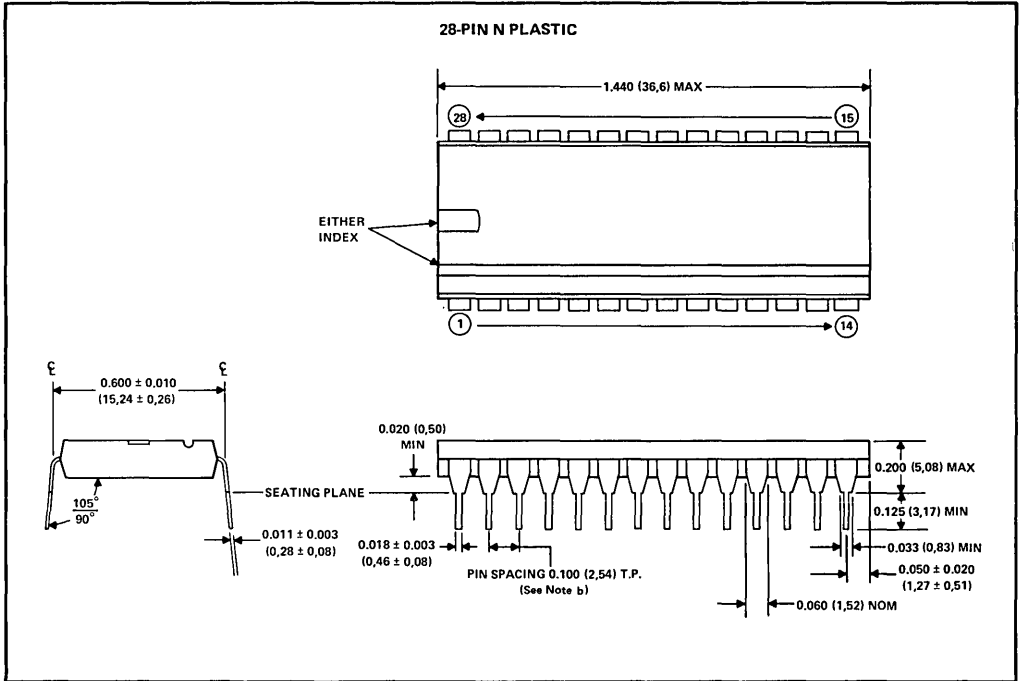
4



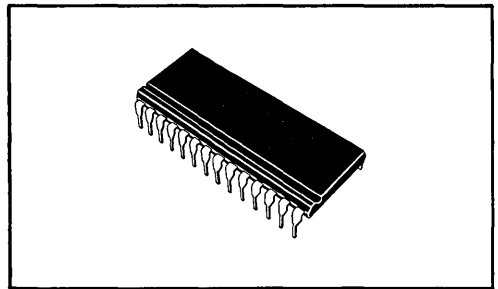
- NOTES: a. All dimensions are shown in inches (and parenthetically in millimeters for reference only). Inch dimensions govern.  
 b. Each pin centerline is located within 0.010 (0,26) of its true longitudinal position.  
 c. This dimension does not apply for solder-dipped leads.  
 d. When solder-dipped leads are specified, dipped area of the lead extends from the lead tip to at least 0.020 (0,50) above the seating plane.

# TTL INTEGRATED CIRCUITS MECHANICAL DATA

## N plastic dual-in-line packages (continued)



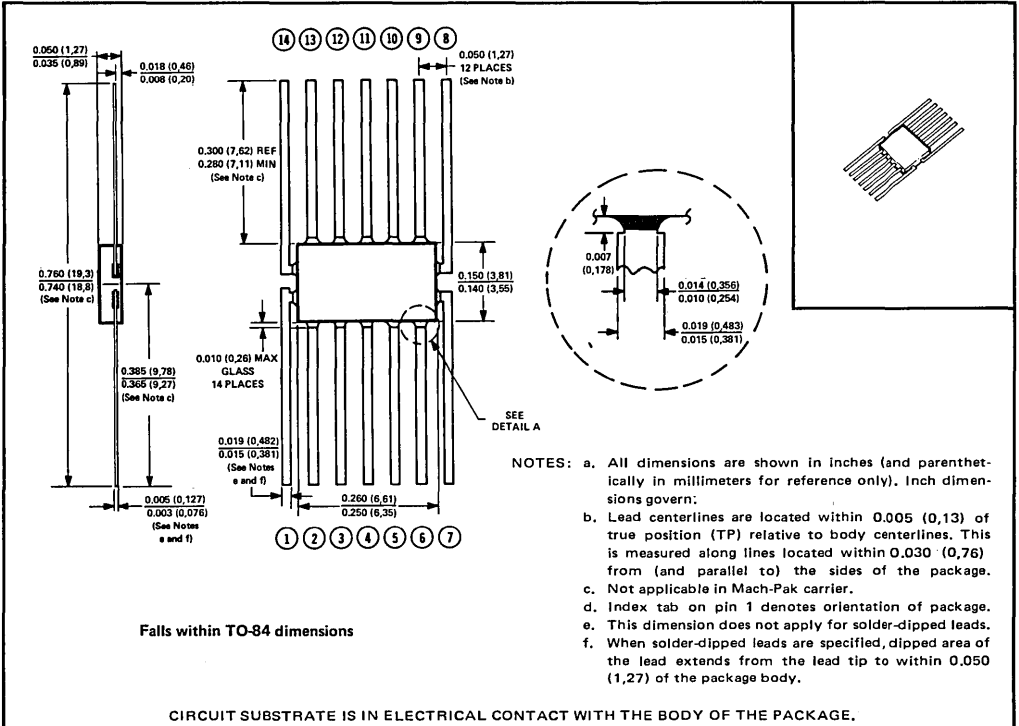
- NOTES:
- All dimensions are shown in inches (and parenthetically in millimeters for reference only). Inch dimensions govern.
  - Each pin centerline is located within 0.010 (0,26) of its true longitudinal position.
  - This dimension does not apply for solder-dipped leads.
  - When solder-dipped leads are specified, dipped area of the lead extends from the lead tip to at least 0.020 (0,50) above the seating plane.



# TTL INTEGRATED CIRCUITS MECHANICAL DATA

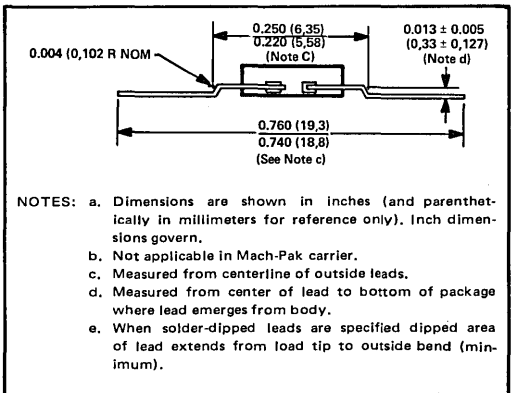
## T flat package

This hermetic package features glass-to-metal seals and welded construction. Package body and leads are gold-plated F-15 ≠ glass-sealing alloy. Approximate weight is 0.1 gram.



## T package leads

Gold-plated F-15<sup>‡</sup> leads require no additional cleaning or processing when used in soldered or welded assembly. Solder-dipped leads are also available. Formed leads are available to facilitate planar mounting of networks on flat circuit boards. Circuits can be removed from Mach-Pak carriers with lead lengths up to 0.300 (7,62).

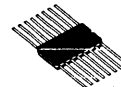
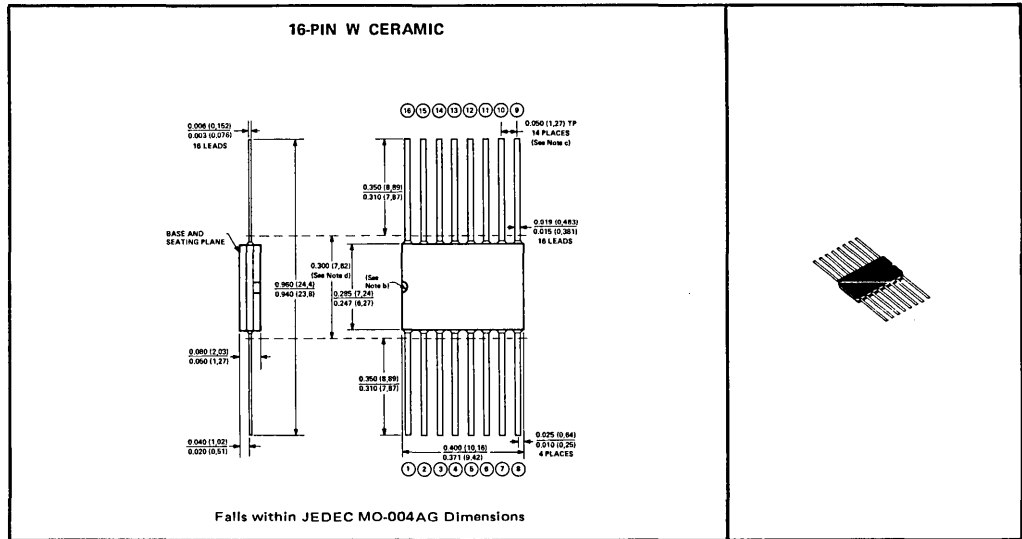
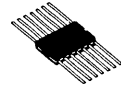
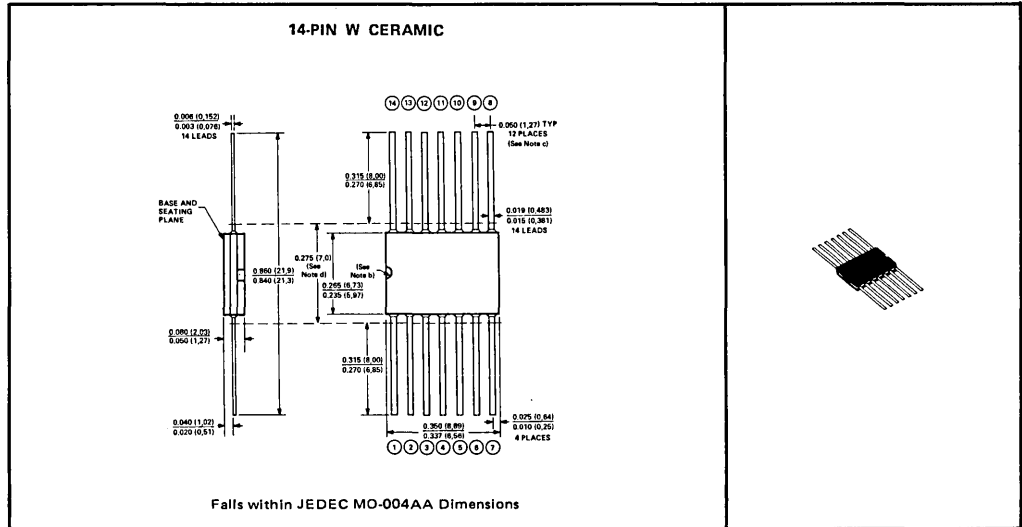


<sup>‡</sup>F-15 is the ASTM designation for an iron-nickel-cobalt alloy containing nominally 53% iron, 29% nickel, and 17% cobalt.

# TTL INTEGRATED CIRCUITS MECHANICAL DATA

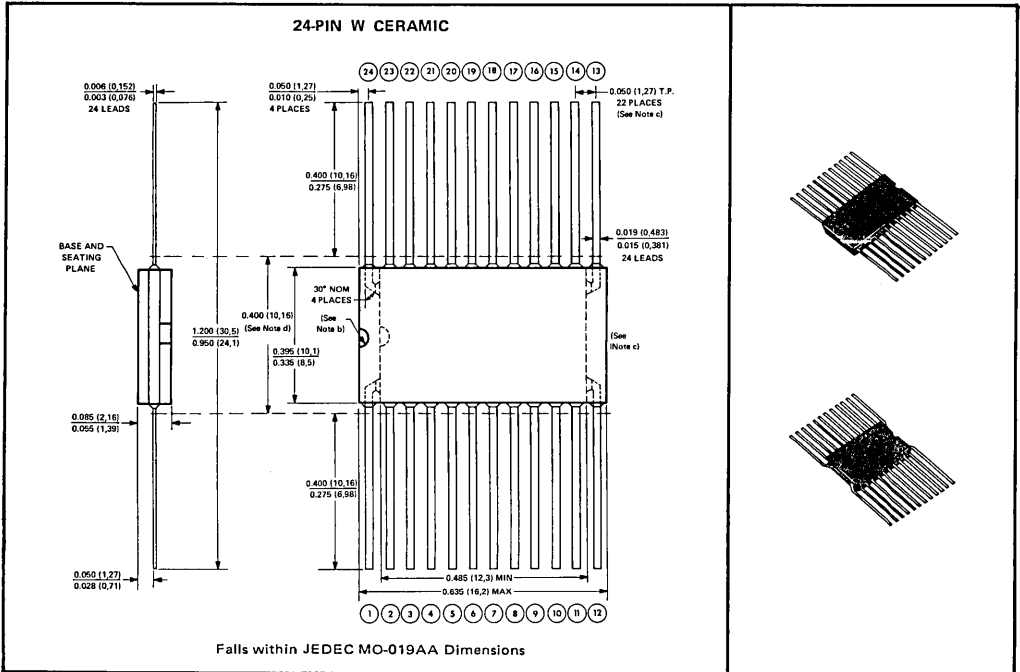
## W ceramic flat package

These hermetically sealed flat packages consist of an electrically nonconductive ceramic base and cap, and a 14-, 16-, or 24-lead frame. Hermetic sealing is accomplished with glass. Tin-plated ("bright-dipped") leads (-00) require no additional cleaning or processing when used in soldered assembly.



# TTL INTEGRATED CIRCUITS MECHANICAL DATA

## W ceramic flat package (continued)



- NOTES:
- a. All dimensions are shown in inches (and parenthetically in millimeters for reference only). Inch dimensions govern.
  - b. Index point is provided on cap for terminal identification only.
  - c. Leads are within 0.005 (0,13) radius of true position (T.P.) at maximum material condition.
  - d. This dimension determines a zone within which all body and lead irregularities lie.
  - e. End configuration of 24-pin package is at the option of T1.





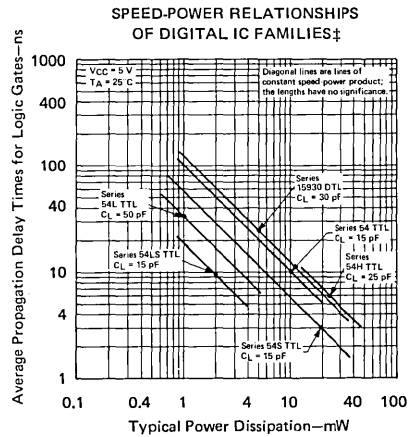
# 54/74 Families of Compatible TTL Circuits



## description

Texas Instruments transistor-transistor-logic (TTL) family of high-performance bipolar digital integrated circuits comprises five distinct series of compatible product lines. These product lines offer the digital systems designer a full spectrum of performance ranges in order to optimize system cost and performance. The available choices range from the very high performance of the Schottky-clamped<sup>†</sup> functions for systems operating typically up to 125 megahertz to low-power functions with power consumption of only one milliwatt per gate.

Typical characteristics of the five TTL series offered are shown in Table I and their respective speed/power relationships are illustrated in Figure A.



†Typical saturated logic gate from the indicated families.

FIGURE A

TABLE I—54/74 FAMILY TYPICAL SSI PERFORMANCE CHARACTERISTICS

SERIES	GATES			FLIP-FLOPS
	Speed-Power Product	Propagation Delay Time	Power Dissipation	Clock Input Frequency Range
54LS/74LS	19 pJ	9.5 ns	2 mW	dc to 45 MHz
54L/74L	33 pJ	33 ns	1 mW	dc to 3 MHz
54S/74S	57 pJ	3 ns	19 mW	dc to 125 MHz
54/74	100 pJ	10 ns	10 mW	dc to 35 MHz
54H/74H	132 pJ	6 ns	22 mW	dc to 50 MHz

## features

### EASE OF SYSTEM DESIGN

- Full compatibility provides choice from five distinct performance ranges
- Broad range of functions are offered in each series
- Diode-clamped inputs are provided on all high-performance functions
- Terminated, controlled-impedance lines are not normally required with TTL
- Low output impedance:
  - Provides low a-c noise susceptibility
  - Drives high-capacity loads

### FULL COMPATIBILITY IS DESIGNED INTO TI TTL

- All series are designed for single 5-volt power supply
- All series provide one-volt or greater typical d-c noise margins
- Power dissipation relatively insensitive to operating frequency
- Switching times are guaranteed at full d-c loading
- Compatible with most logic families such as DTL, MOS, CMOS

<sup>†</sup>Integrated Schottky-Barrier diode-clamped transistor is patented by Texas Instruments. U.S. Patent Number 3,463,975.

## 54/74 FAMILIES OF COMPATIBLE TTL CIRCUITS

absolute maximum ratings over operating free-air temperature range (unless otherwise noted)

	54 FAMILY	SERIES 54 SERIES 54H	SERIES 54L	SERIES 54LS	SERIES 54LS	SERIES 54S	UNIT
	74 FAMILY	SERIES 74 SERIES 74H	SERIES 74L	SERIES 74LS WITH DIODE INPUTS	SERIES 74LS WITH EMITTER INPUTS	SERIES 74S	
Supply voltage, $V_{CC}$ (see Note 1)		7	8	7	7	7	V
Input voltage		5.5	5.5	7	5.5	5.5	V
Interemitter voltage (see Note 2)		5.5	5.5		5.5	5.5	V
Off-state (high-level) voltage applied to open-collector outputs of SSI circuits (see Note 3)	'06, '07	30					V
	'16, '17, '26	15					
	Others		8	7	7	7	
High-level voltage applied to a disabled 3-state output		5.5		5.5	5.5	5.5	V
Operating free-air temperature range	54 Family	-55 to 125					°C
	74 Family	0 to 70					
Storage temperature range		-65 to 150					°C

NOTES: 1. Voltage values, unless otherwise noted, are with respect to network ground terminal.

2. This is the voltage between two emitters of a multiple-emitter transistor. This rating applies between inputs that go directly into the same  $\overline{\text{AND}}$  or  $\overline{\text{NAND}}$  gate in the functional block diagram.

3. Ratings for MSI parts are given on the individual data sheets.

### unused inputs of positive-AND/NAND gates

For optimum switching times and minimum noise susceptibility, unused inputs of AND or NAND gates should be maintained at a voltage greater than  $V_{OH\ min}$  (see tables of electrical characteristics), but not to exceed the absolute maximum rating. This eliminates the distributed capacitance associated with the floating input, bond wire, and package lead, and ensures that no degradation will occur in the propagation delay times. Some possible ways of handling unused inputs are:

- Connect unused inputs to an independent supply voltage. Preferably, this voltage should be between  $V_{OH\ min}$  and 4.5 V. Series 54LS/74LS devices with diode inputs may be connected directly to  $V_{CC}$ .
- Connect unused inputs to a used input if maximum drive capability of the driving output will not be exceeded. Each additional input presents a full load to the driving output at a high-level voltage but adds no loading at a low-level voltage.
- Connect unused inputs to  $V_{CC}$  through a 1-k $\Omega$  resistor so that if a transient that exceeds the input maximum rating should occur, the impedance will be high enough to protect the input. One to 25 unused inputs may be connected to each 1-k $\Omega$  resistor. Series 54LS/74LS devices with diode inputs may be connected directly to  $V_{CC}$ .
- Connect unused inputs to any fixed-high-level compatible output such as the output of an inverter or NAND gate that has its input(s) grounded. Maximum high-level drive capability of the output should not be exceeded.

## 54/74 FAMILIES OF COMPATIBLE TTL CIRCUITS

### input-current requirements

Input-current requirements reflect worst-case conditions over the specified recommended operating free-air temperature and  $V_{CC}$  ranges. The table below shows maximum input current requirements and nominal base resistor values for standard loads in each TTL series. A standard load is defined as an input connected to a single emitter or diode that is associated with a pull-up resistor having the value indicated in the table. However, some inputs are tied to more than one input transistor (or diode), or the base-resistor values of some inputs have been changed either to reduce input-current requirements or to improve performance. Therefore, the input-current requirements may vary. Consult the electrical characteristics table for the particular device type to determine the input-current requirements of each input.

STANDARD INPUTS (ONE LOAD)

SERIES	NOMINAL VALUE OF INPUT PULL-UP RESISTOR	MAXIMUM HIGH-LEVEL INPUT CURRENT	MAXIMUM LOW-LEVEL INPUT CURRENT
54/74	4 k $\Omega$	40 $\mu$ A	-1.6 mA
54H/74H	2.8 k $\Omega$	50 $\mu$ A	-2 mA
54L/74L †	40 k $\Omega$	10 $\mu$ A	-0.18 mA
	8 k $\Omega$	20 $\mu$ A	-0.8 mA
54LS/74LS	18k $\Omega$	20 $\mu$ A	-0.4 mA
54S/74S	2.8 k $\Omega$	50 $\mu$ A	-2 mA

†Series 54L/74L has two different types of standard inputs as shown.

Since low-level input current is primarily a function of the input base resistor, two or more inputs of the same NAND or AND gate may be tied together and still be considered one load at a low logic level, but at a high logic level, each input is an additional load.

Currents into input terminals are specified as positive values. Arrows on the d-c test circuits indicate the actual direction of current flow.

### drive capability

The maximum value of  $I_{OL}$  given under "recommended operating conditions" reflects the ability of an output to sink current from a number of loads at a low voltage level and maximum  $I_{OH}$  reflects the ability to supply current at a high voltage level. Each standard output at a low level is capable of sinking current from 10 standard loads of its own series (20 standard loads for Series 74L and 74LS), and at a high level is capable of supplying current to either 10 or 20 loads of its own series. The fan-out of 20 at a high logic level makes it possible to tie as many as 10 unused inputs of NAND or AND gates to used inputs of the same gates (as mentioned under input-current requirements) without exceeding the fan-out capability of the output driving 10 used inputs. Certain outputs are designed for special applications and have greater or lesser drive capability. See the recommended operating conditions for each type.

The loads may be intermixed in any desired combination so long as the load totals for  $I_{IH}$  and  $I_{IL}$  are less than the maximum recommended values of  $I_{OH}$  and  $I_{OL}$ , respectively, for the driving circuit.

# 54/74 FAMILIES OF COMPATIBLE TTL CIRCUITS

## PIN ASSIGNMENTS (TOP VIEWS)

### QUADRUPLE 2-INPUT POSITIVE-NAND GATES

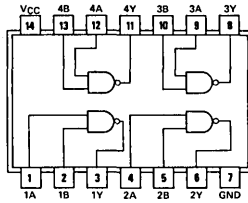
**00**

*a*

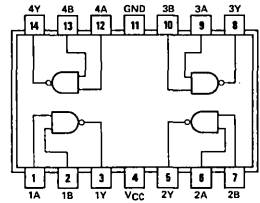
positive logic:

$$Y = \overline{AB}$$

See page 6-2



SN5400 (J) SN7400 (J, N)  
 SN54H00 (J) SN74H00 (J, N)  
 SN54L00 (J) SN74L00 (J, N)  
 SN54LS00 (J, W) SN74LS00 (J, N)  
 SN54S00 (J, W) SN74S00 (J, N)



SN5400 (W)  
 SN54H00 (W)  
 SN54L00 (T)

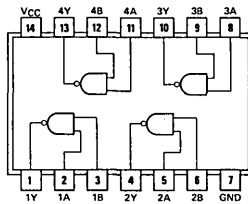
### QUADRUPLE 2-INPUT POSITIVE-NAND GATES WITH OPEN-COLLECTOR OUTPUTS

**01**

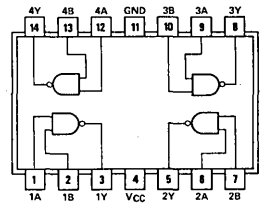
positive logic:

$$Y = \overline{AB}$$

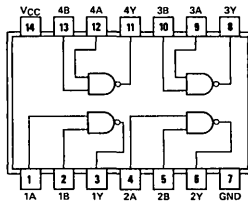
See page 6-4



SN5401 (J) SN7401 (J, N)  
 SN54LS01 (J, W) SN74LS01 (J, N)



SN5401 (W)  
 SN54H01 (W)  
 SN54L01 (T)



SN54H01 (J) SN74H01 (J, N)

### QUADRUPLE 2-INPUT POSITIVE-NOR GATES

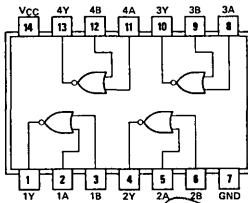
**02**

*b*

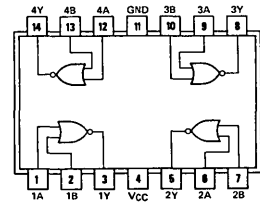
positive logic:

$$Y = A+B$$

See page 6-8



SN5402 (J) SN7402 (J, N)  
 SN54L02 (J) SN74L02 (J, N)  
 SN54LS02 (J, W) SN74LS02 (J, N)  
 SN54S02 (J, W) SN74S02 (J, N)



SN5402 (W)  
 SN54L02 (T)

# 54/74 FAMILIES OF COMPATIBLE TTL CIRCUITS

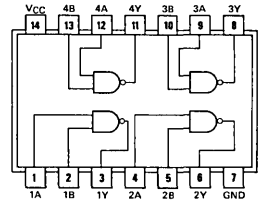
## PIN ASSIGNMENTS (TOP VIEWS)

**QUADRUPLE 2-INPUT  
POSITIVE-NAND GATES  
WITH OPEN-COLLECTOR OUTPUTS**

**03**

positive logic:  
 $Y = AB$

See page 6-4



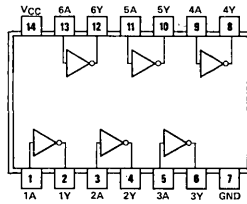
SN5403 (J)      SN7403 (J, N)  
SN54L03 (J)    SN74L03 (J, N)  
SN54S03 (J, W) SN74LS03 (J, N)  
SN54S03 (J, W) SN74S03 (J, N)

**HEX INVERTERS**

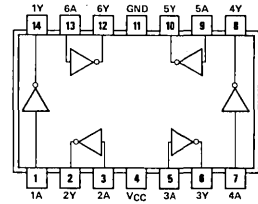
**04**

positive logic:  
 $Y = \bar{A}$

See page 6-2



SN5404 (J)      SN7404 (J, N)  
SN54H04 (J)    SN74H04 (J, N)  
SN54L04 (J)    SN74L04 (J, N)  
SN54LS04 (J, W) SN74LS04 (J, N)  
SN54S04 (J, W) SN74S04 (J, N)



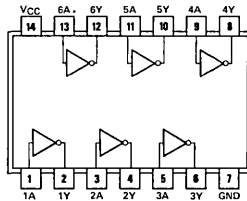
SN5404 (W)  
SN54H04 (W)  
SN54L04 (T)

**HEX INVERTERS  
WITH OPEN-COLLECTOR OUTPUTS**

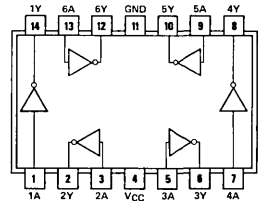
**05**

positive logic:  
 $Y = \bar{A}$

See page 6-4



SN5405 (J)      SN7405 (J, N)  
SN54H05 (J)    SN74H05 (J, N)  
SN54LS05 (J, W) SN74LS05 (J, N)  
SN54S05 (J, W) SN74S05 (J, N)



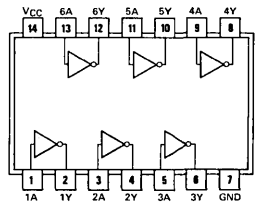
SN5405 (W)  
SN54H05 (W)

**HEX INVERTER BUFFERS/DRIVERS  
WITH OPEN-COLLECTOR  
HIGH-VOLTAGE OUTPUTS**

**06**

positive logic:  
 $Y = \bar{A}$

See page 6-24



SN5406 (J, W)    SN7406 (J, N)

5



# 54/74 FAMILIES OF COMPATIBLE TTL CIRCUITS

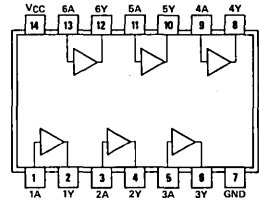
## PIN ASSIGNMENTS (TOP VIEWS)

HEX BUFFERS/DRIVERS  
WITH OPEN-COLLECTOR  
HIGH-VOLTAGE OUTPUTS

**07**

positive logic:  
 $Y = A$

See page 6-24



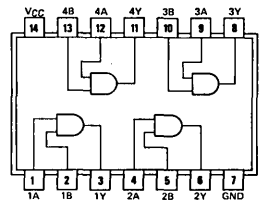
SN5407 (J, W) SN7407 (J, N)

QUADRUPLE 2-INPUT  
POSITIVE-AND GATES

**08**

positive logic:  
 $Y = AB$

See page 6-10



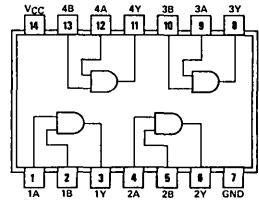
SN5408 (J, W) SN7408 (J, N)  
SN54LS08 (J, W) SN74LS08 (J, N)  
SN54S08 (J, W) SN74S08 (J, N)

QUADRUPLE 2-INPUT  
POSITIVE-AND GATES  
WITH OPEN-COLLECTOR OUTPUTS

**09**

positive logic:  
 $Y = AB$

See page 6-12



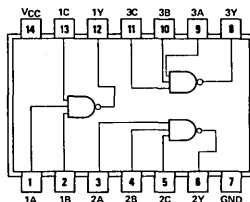
SN5409 (J, W) SN7409 (J, N)  
SN54LS09 (J, W) SN74LS09 (J, N)  
SN54S09 (J, W) SN74S09 (J, N)

TRIPLE 3-INPUT  
POSITIVE-NAND GATES

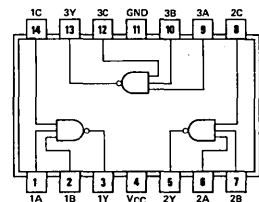
**10**

positive logic:  
 $Y = \overline{ABC}$

See page 6-2



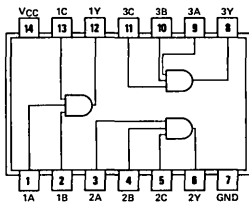
SN5410 (J) SN7410 (J, N)  
SN54H10 (J) SN74H10 (J, N)  
SN54L10 (J) SN74L10 (J, N)  
SN54LS10 (J, W) SN74LS10 (J, N)  
SN54S10 (J, W) SN74S10 (J, N)



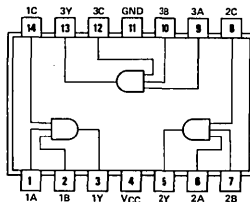
SN5410 (W)  
SN54H10 (W)  
SN54L10 (T)

# 54/74 FAMILIES OF COMPATIBLE TTL CIRCUITS

## PIN ASSIGNMENTS (TOP VIEWS)



SN54H11 (J) SN74H11 (J, N)  
 SN54LS11 (J, W) SN74LS11 (J, N)  
 SN54S11 (J, W) SN74S11 (J, N)



SN54H11 (W)

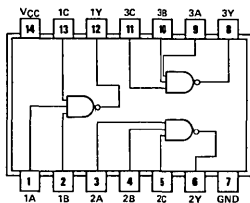
See page 6-10

TRIPLE 3-INPUT  
 POSITIVE-NAND GATES  
 WITH OPEN-COLLECTOR OUTPUTS

**12**

positive logic:  
 $Y = ABC$

See page 6-4



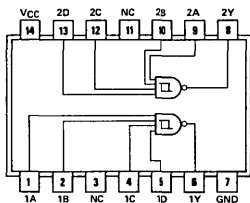
SN5412 (J, W) SN7412 (J, N)  
 SN54LS12 (J, W) SN74LS12 (J, N)

DUAL 4-INPUT  
 POSITIVE-NAND  
 SCHMITT TRIGGERS

**13**

positive logic:  
 $Y = \overline{ABCD}$

See page 6-14



SN5413 (J, W) SN7413 (J, N)  
 SN54LS13 (J, W) SN74LS13 (J, N)

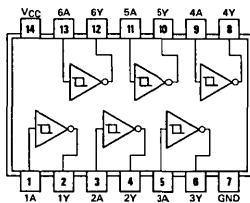
NC—No internal connection

HEX SCHMITT-TRIGGER  
 INVERTERS

**14**

positive logic:  
 $Y = \overline{A}$

See page 6-14



SN5414 (J, W) SN7414 (J, N)  
 SN54LS14 (J, W) SN74LS14 (J, N)

# 54/74 FAMILIES OF COMPATIBLE TTL CIRCUITS

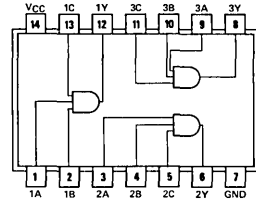
## PIN ASSIGNMENTS (TOP VIEWS)

TRIPLE 3-INPUT  
POSITIVE-AND GATES  
WITH OPEN-COLLECTOR OUTPUTS

**15**

positive logic:  
 $Y = ABC$

See page 6-12



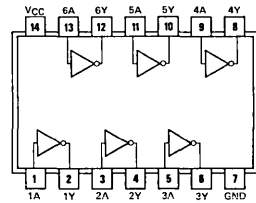
SN54H15 (J, W)      SN74H15 (J, N)  
SN54LS15 (J, W)    SN74LS15 (J, N)  
SN54S15 (J, W)      SN74S15 (J, N)

HEX INVERTER BUFFERS/DRIVERS  
WITH OPEN-COLLECTOR  
HIGH-VOLTAGE OUTPUTS

**16**

positive logic:  
 $Y = \bar{A}$

See page 6-24



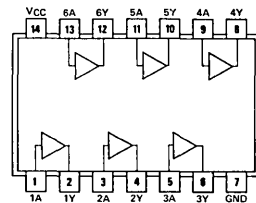
SN5416 (J, W)      SN7416 (J, N)

HEX BUFFERS/DRIVERS  
WITH OPEN-COLLECTOR  
HIGH-VOLTAGE OUTPUTS

**17**

positive logic:  
 $Y = A$

See page 6-24



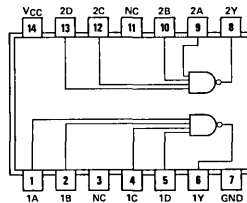
SN5417 (J, W)      SN7417 (J, N)

DUAL 4-INPUT  
POSITIVE-NAND GATES

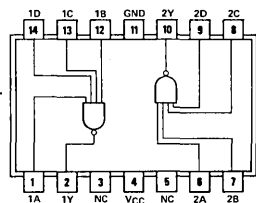
**20**

positive logic:  
 $Y = ABCD$

See page 6-2



SN5420 (J)      SN7420 (J, N)  
SN54H20 (J)    SN74H20 (J, N)  
SN54L20 (J)    SN74L20 (J, N)  
SN54LS20 (J, W) SN74LS20 (J, N)  
SN54S20 (J, W) SN74S20 (J, N)



SN5420 (W)  
SN54H20 (W)  
SN54L20 (T)

NC—No internal connection

# 54/74 FAMILIES OF COMPATIBLE TTL CIRCUITS

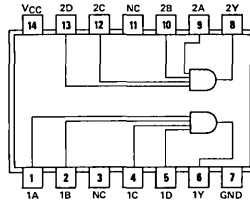
## PIN ASSIGNMENTS (TOP VIEWS)

### DUAL 4-INPUT POSITIVE-AND GATES

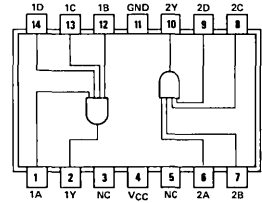
**21**

positive logic:  
 $Y = ABCD$

See page 6-10



SN54H21 (J)      SN74H21 (J, N)  
SN54LS21 (J, W)    SN74LS21 (J, N)



SN54H21 (W)

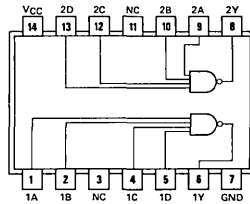
NC—No internal connection

### DUAL 4-INPUT POSITIVE-NAND GATES WITH OPEN-COLLECTOR OUTPUTS

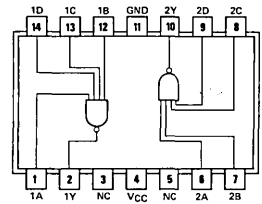
**22**

positive logic:  
 $Y = ABCD$

See page 6-4



SN5422 (J, W)      SN7422 (J, N)  
SN54H22 (J)      SN74H22 (J, N)  
SN54LS22 (J, W)    SN74LS22 (J, N)  
SN54S22 (J, W)    SN74S22 (J, N)



SN54H22 (W)

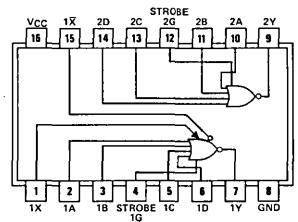
NC—No internal connection

### EXPANDABLE DUAL 4-INPUT POSITIVE-NOR GATES WITH STROBE

**23**

positive logic:  
 $1Y = \overline{1G(1A+1B+1C+1D)+X}$   
 $2Y = \overline{2G(2A+2B+2C+2D)}$   
X = output of SN5460/SN7460

See page 6-39



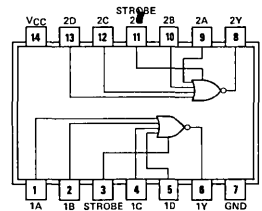
SN5423 (J, W)      SN7423 (J, N)

### DUAL 4-INPUT POSITIVE-NOR GATES WITH STROBE

**25**

positive logic:  
 $Y = \overline{G(A+B+C+D)}$

See page 6-8



SN5425 (J, W)      SN7425 (J, N)

# 54/74 FAMILIES OF COMPATIBLE TTL CIRCUITS

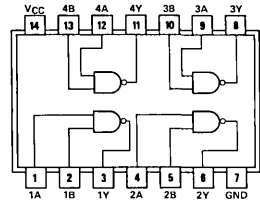
## PIN ASSIGNMENTS (TOP VIEWS)

QUADRUPLE 2-INPUT  
HIGH-VOLTAGE INTERFACE  
POSITIVE-NAND GATES

**26**

positive logic:  
 $Y = \overline{AB}$

See pages 6-24 and 6-26



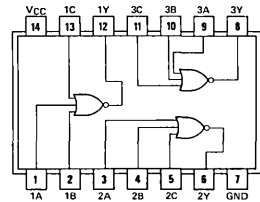
SN5426 (J) SN7426 (J, N)  
SN54LS26 (J, W) SN74LS26 (J, N)

TRIPLE 3-INPUT  
POSITIVE-NOR GATES

**27**

positive logic:  
 $Y = \overline{A+B+C}$

See page 6-8



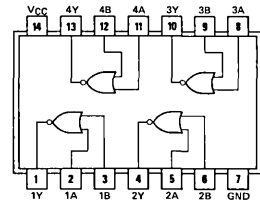
SN5427 (J, W) SN7427 (J, N)  
SN54LS27 (J, W) SN74LS27 (J, N)

QUADRUPLE 2-INPUT  
POSITIVE-NOR BUFFERS

**28**

positive logic:  
 $Y = A+B$

See page 6-20



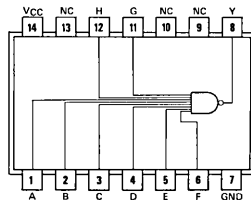
SN5428 (J, W) SN7428 (J, N)  
SN54LS28 (J, W) SN74LS28 (J, N)

8-INPUT  
POSITIVE-NAND GATES

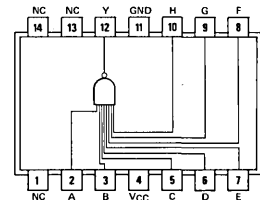
**30**

positive logic:  
 $Y = \overline{ABCDEFGH}$

See page 6-2



SN5430 (J) SN7430 (J, N)  
SN54H30 (J) SN74H30 (J, N)  
SN54L30 (J) SN74L30 (J, N)  
SN54LS30 (J, W) SN74LS30 (J, N)  
SN54S30 (J, W) SN74S30 (J, N)



SN5430 (B)  
SN54H30 (W)  
SN54L30 (T)

NC—No internal connection

# 54/74 FAMILIES OF COMPATIBLE TTL CIRCUITS

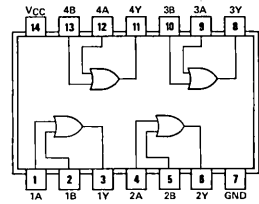
## PIN ASSIGNMENTS (TOP VIEWS)

QUADRUPLE 2-INPUT  
POSITIVE-OR GATES

**32**

positive logic:  
 $Y = A + B$

See page 6-28



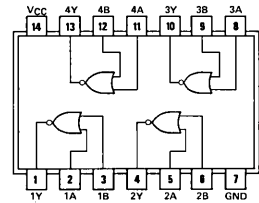
SN5432 (J, W)      SN7432 (J, N)  
SN54LS32 (J, W)    SN74LS32 (J, N)  
SN54S32 (J, W)      SN74S32 (J, N)

QUADRUPLE 2-INPUT  
POSITIVE-NOR BUFFERS  
WITH OPEN-COLLECTOR OUTPUTS

**33**

positive logic:  
 $Y = \overline{A + B}$

See pages 6-24 and 6-26



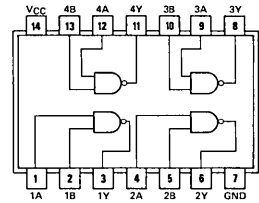
SN5433 (J, W)      SN7433 (J, N)  
SN54LS33 (J, W)    SN74LS33 (J, N)

QUADRUPLE 2-INPUT  
POSITIVE-NAND BUFFERS

**37**

positive logic:  
 $Y = \overline{A B}$

See page 6-20



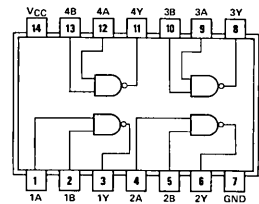
SN5437 (J, W)      SN7437 (J, N)  
SN54LS37 (J, W)    SN74LS37 (J, N)  
SN54S37 (J, W)      SN74S37 (J, N)

QUADRUPLE 2-INPUT  
POSITIVE-NAND BUFFERS  
WITH OPEN-COLLECTOR OUTPUTS

**38**

positive logic:  
 $Y = \overline{A B}$

See pages 6-24 and 6-26



SN5438 (J, W)      SN7438 (J, N)  
SN54LS38 (J, W)    SN74LS38 (J, N)  
SN54S38 (J, W)      SN74S38 (J, N)

# 54/74 FAMILIES OF COMPATIBLE TTL CIRCUITS

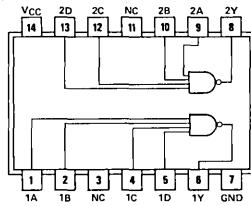
## PIN ASSIGNMENTS (TOP VIEWS)

**DUAL 4-INPUT  
POSITIVE-NAND BUFFERS**

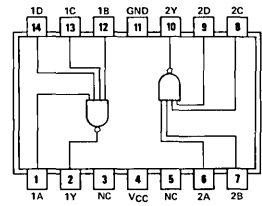
**40**

positive logic:  
Y = ABCD

See page 6-20



SN5440 (J)            SN7440 (J, N)  
SN54H40 (J)        SN74H40 (J, N)  
SN54LS40 (J,W)    SN74LS40 (J, N)  
SN54S40 (J, W)    SN74S40 (J, N)



SN5440 (W)  
SN54H40 (W)

NC—No internal connection

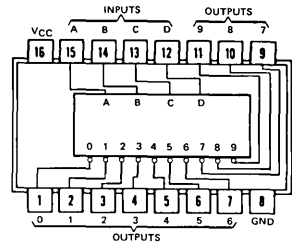
**4 LINE-TO-10-LINE DECODERS**

**42** BCD-TO-DECIMAL

**43** EXCESS-3-TO-DECIMAL

**44** EXCESS-3-GRAY-TO-DECIMAL

See page 7-15

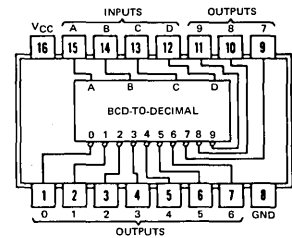


SN5442A (J, W)    SN7442A (J, N)  
SN54L42 (J)        SN74L42 (J, N)  
SN54LS42 (J, W)    SN74LS42 (J, N)  
SN5443A (J, W)    SN7443A (J, N)  
SN54L43 (J)        SN74L43 (J, N)  
SN5444A (J, W)    SN7444A (J, N)  
SN54L44 (J)        SN74L44 (J, N)

**BCD-TO-DECIMAL DECODER/DRIVER**

**45** LAMP, RELAY, OR MOS DRIVER  
80-mA CURRENT SINK  
OUTPUTS OFF FOR INVALID CODES

See page 7-20



SN5445 (J, W)        SN7445 (J, N)

# 54/74 FAMILIES OF COMPATIBLE TTL CIRCUITS

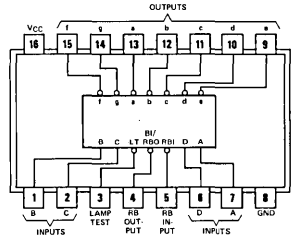
## PIN ASSIGNMENTS (TOP VIEWS)

### BCD-TO-SEVEN-SEGMENT DECODERS/DRIVERS

**46** ACTIVE-LOW, OPEN-COLLECTOR, 30-V OUTPUTS

**47** ACTIVE-LOW, OPEN-COLLECTOR, 15-V OUTPUTS

See page 7-22

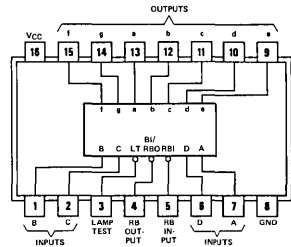


SN5446A (J, W)	SN7446A (J, N)
SN54L46 (J)	SN74L46 (J, N)
SN5447A (J, W)	SN7447A (J, N)
SN54L47 (J)	SN74L47 (J, N)
SN54LS47 (J, W)	SN74LS47 (J, N)

### BCD-TO-SEVEN-SEGMENT DECODERS/DRIVERS

**48** INTERNAL PULL-UP OUTPUTS

See page 7-22

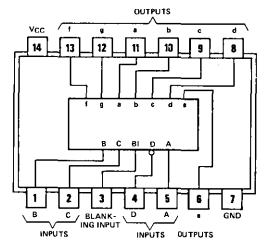


SN5448 (J, W)	SN7448 (J, N)
SN54LS48 (J, W)	SN74LS48 (J, N)

### BCD-TO-SEVEN-SEGMENT DECODERS/DRIVERS

**49** OPEN-COLLECTOR OUTPUTS

See page 7-22



SN5449 (W)	SN74LS49 (J, N)
SN54LS49 (J, W)	



# 54/74 FAMILIES OF COMPATIBLE TTL CIRCUITS

## PIN ASSIGNMENTS (TOP VIEWS)

**DUAL 2-WIDE 2-INPUT  
AND-OR-INVERT GATES  
(ONE GATE EXPANDABLE)**

**50**

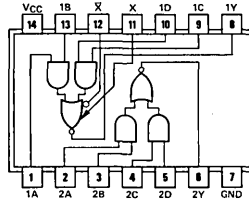
positive logic:

$$Y = \overline{AB+CD+X}$$

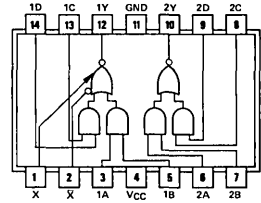
'50: X = output of SN5460/SN7460

'H50: X = output of SN54H60/SN74H60  
or SN54H62/SN74H62

See page 6-39



SN5450 (J) SN7450 (J, N)  
SN54H50 (J) SN74H50 (J, N)



SN5450 (W)  
SN54H50 (W)

**AND-OR-INVERT GATES**

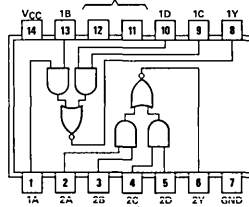
**51**

'51, 'H51, 'S51  
DUAL 2-WIDE 2-INPUT

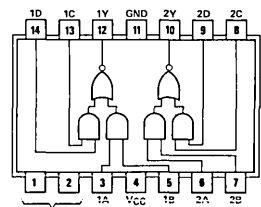
positive logic:

$$Y = \overline{AB+CD}$$

MAKE NO EXTERNAL CONNECTION



SN5451 (J) SN7451 (J, N)  
SN54H51 (J) SN74H51 (J, N)  
SN54S51 (J, W) SN74S51 (J, N)



MAKE NO EXTERNAL CONNECTION

SN5451 (W)  
SN54H51 (W)

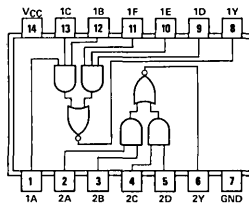
'L51, 'LS51  
2-WIDE 3-INPUT,  
2-WIDE 2-INPUT

positive logic:

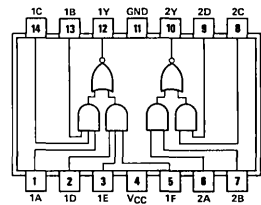
$$1Y = \overline{(1A \cdot 1B \cdot 1C) + (1D \cdot 1E \cdot 1F)}$$

$$2Y = \overline{(2A \cdot 2B) + (2C \cdot 2D)}$$

See page 6-30



SN54L51 (J) SN74L51 (J, N)  
SN54LS51 (J, W) SN74LS51 (J, N)



SN54L51 (T)

# 54/74 FAMILIES OF COMPATIBLE TTL CIRCUITS

## PIN ASSIGNMENTS (TOP VIEWS)

### EXPANDABLE 4-WIDE AND-OR GATES

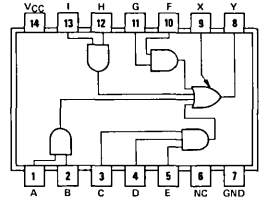
**52**

'H52(J, N)

positive logic:

$$Y = AB + CDE + FG + HI + X$$

X = output of SN54H61/SN74H61



SN54H52 (J)

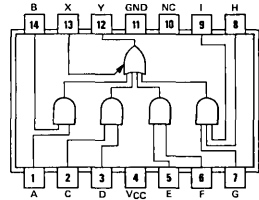
SN74H52 (J, N)

'H52(W)

positive logic:

$$Y = AB + CD + EF + GHI + X$$

X = output of SN54H61/SN74H61



SN54H52 (W)

See page 6-39

NC—No internal connection

### EXPANDABLE 4-WIDE AND-OR-INVERT GATES

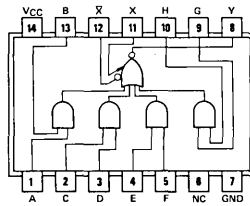
**53**

'53

positive logic:

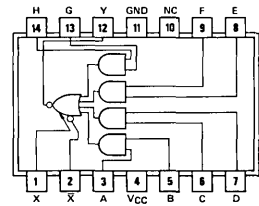
$$Y = AB + CD + EF + GH + X$$

X = output of SN5460/SN7460



SN5453 (J)

SN7453 (J, N)



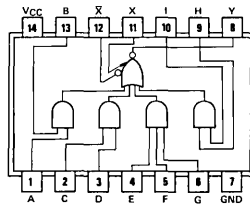
SN5453 (W)

'H53

positive logic:

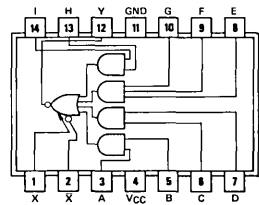
$$Y = AB + CD + EFG + HI + X$$

X = output of SN54H60/SN74H60 or SN54H62/SN74H62



SN54H53 (J)

SN74H53 (J,N)



SN54H53 (W)

See page 6-39

NC—No internal connection

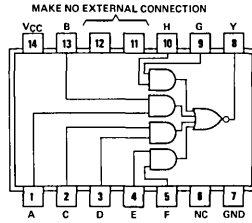
# 54/74 FAMILIES OF COMPATIBLE TTL CIRCUITS

## PIN ASSIGNMENTS (TOP VIEWS)

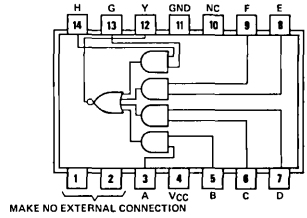
**4-WIDE  
AND-OR-INVERT GATES**

**54**

'54  
positive logic:  
 $Y = AB+CD+EF+GH$

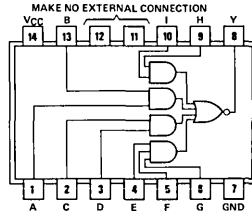


SN5454 (J) SN7454 (J, N)

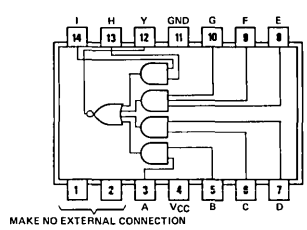


SN5454 (W)

'H54  
positive logic:  
 $Y = \overline{AB+CD+EF+GH}$

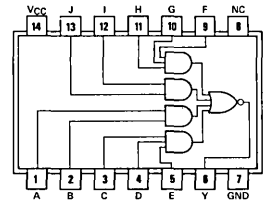


SN54H54 (J) SN74H54 (J, N)



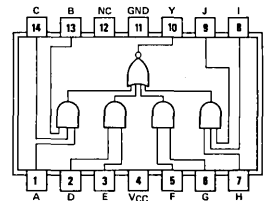
SN54H54 (W)

'L54(J, N), 'LS54  
positive logic:  
 $Y = \overline{AB+CDE+FGH+IJ}$



SN54L54 (J) SN74L54 (J, N)  
SN54LS54 (J, W) SN74LS54 (J, N)

'L54(T)  
positive logic:  
 $Y = \overline{ABC+DE+FG+HIJ}$



SN54L54 (T)

See page 6-30

NC—No internal connection

5

# 54/74 FAMILIES OF COMPATIBLE TTL CIRCUITS

## PIN ASSIGNMENTS (TOP VIEWS)

### 2-WIDE 4-INPUT AND-OR-INVERT GATES

**55**

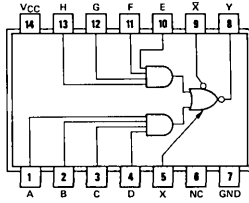
'H55 (EXPANDABLE)

positive logic:

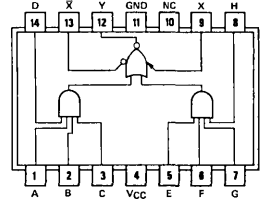
$$Y = \overline{ABCD} + EFGH + X$$

X = output of SN54H60/SN74H60  
or SN54H62/SN74H62

See page 6-39



SN54H55 (J) SN74H55 (J, N)



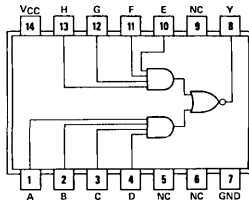
SN54H55 (W)

'L55, 'LS55

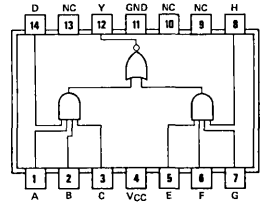
positive logic:

$$Y = \overline{ABCD} + EFGH$$

See page 6-30



SN54L55 (J) SN74L55 (J, N)  
SN54LS55 (J, W) SN74LS55 (J, N)



SN54L55 (T)

NC—No internal connection

### DUAL 4-INPUT EXPANDERS

**60**

positive logic:

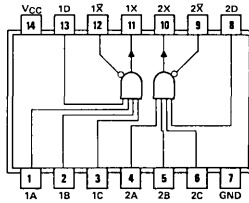
X = ABCD when connected to X and  $\bar{X}$  inputs  
of SN5423/SN7423, SN5450/SN7450, or  
SN5453/SN7453

'H60

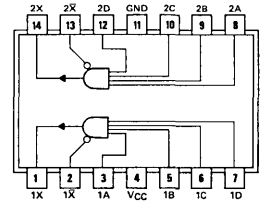
positive logic:

X = ABCD when connected to X and  $\bar{X}$   
inputs of SN54H50/SN74H50,  
SN54H53/SN74H53, or  
SN54H55/SN74H55

See pages 6-43 and 6-44



SN5460 (J) SN7460 (J, N)  
SN54H60 (J) SN74H60 (J, N)



SN5460 (W)  
SN54H60 (W)

NC—No internal connection

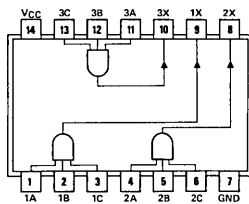
### TRIPLE 3-INPUT EXPANDERS

**61**

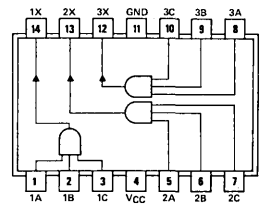
positive logic:

X = ABC when connected to X input of  
SN54H52/SN74H52

See page 6-45



SN54H61 (J) SN74H61 (J, N)



SN54H61 (W)

# 54/74 FAMILIES OF COMPATIBLE TTL CIRCUITS

## PIN ASSIGNMENTS (TOP VIEWS)

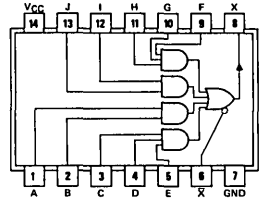
### 4-WIDE AND-OR EXPANDERS

#### 62

\*H62(J, N) (2-3-3-2 INPUT)

positive logic:

$X = AB + CDE + FGH + IJ$  when connected to X and  $\bar{X}$  inputs of SN54H50/SN74H50, SN54H53/SN74H53, or SN54H55/SN74H55

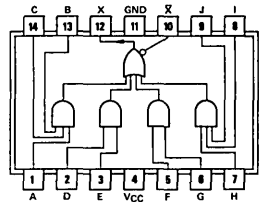


SN54H62 (J) SN74H62 (J, N)

\*H62(W) (3-2-2-3 INPUT)

positive logic:

$X = ABC + DE + FG + HIJ$  when connected to X and  $\bar{X}$  inputs of SN54H50/SN74H50, SN54H53/SN74H53, or SN54H55/SN74H55



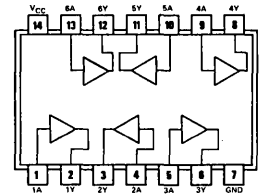
SN54H62 (W)

See page 6-44

### HEX CURRENT-SENSING INTERFACE GATES

#### 63

TRANSLATES LOW-LEVEL INPUT CURRENT TO LOW-LEVEL VOLTAGE AND HIGH-LEVEL CURRENT TO HIGH-LEVEL VOLTAGE



SN54LS63(J,W) SN74LS63(J,N)

See page 6-62

### 4-2-3-2 INPUT AND-OR-INVERT GATES

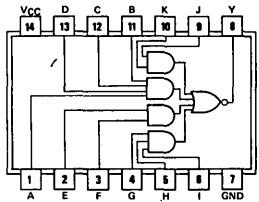
#### 64

TOTEM-POLE OUTPUT

#### 65

OPEN-COLLECTOR OUTPUT

positive logic:  $\bar{Y} = ABCD + EF + GHI + JK$



SN54S64 (J, W) SN74S64 (J, N)  
SN54S65 (J, W) SN74S65 (J, N)

See pages 6-30 and 6-32

# 54/74 FAMILIES OF COMPATIBLE TTL CIRCUITS

## PIN ASSIGNMENTS (TOP VIEWS)

### AND-GATED J-K POSITIVE-EDGE-TRIGGERED FLIP-FLOPS WITH PRESET AND CLEAR

**70**

#### FUNCTION TABLE

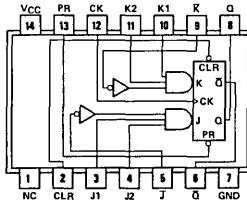
INPUTS				OUTPUTS		
PRESET	CLEAR	CLOCK	J	K	Q	$\bar{Q}$
L	H	L	X	X	H	L
H	L	L	X	X	L	H
L	L	X	X	X	L*	L*
H	H	↑	L	L	Q <sub>0</sub>	$\bar{Q}_0$
H	H	↑	H	L	H	L
H	H	↑	L	H	L	H
H	H	↑	H	H	TOGGLE	
H	H	L	X	X	Q <sub>0</sub>	$\bar{Q}_0$

positive logic:  $J = J1 \cdot J2 \cdot \bar{J}$

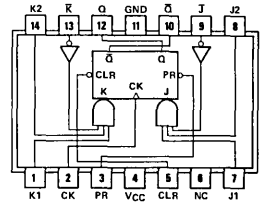
$K = K1 \cdot K2 \cdot \bar{K}$

If inputs  $\bar{J}$  and  $\bar{K}$  are not used, they must be grounded.

See page 6-46 Preset or clear function can occur only when the clock input is low.



SN5470 (J) SN7470 (J, N)



SN5470 (W)

NC—No internal connection

### AND-OR-GATED J-K MASTER-SLAVE FLIP-FLOPS WITH PRESET

**H71**

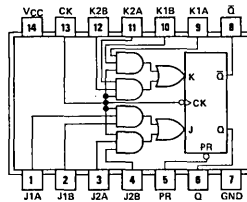
#### FUNCTION TABLE

INPUTS				OUTPUTS	
PRESET	CLOCK	J	K	Q	$\bar{Q}$
L	X	X	X	H	L
H	↓	L	L	Q <sub>0</sub>	$\bar{Q}_0$
H	↓	H	L	H	L
H	↓	L	H	L	H
H	↓	H	H	TOGGLE	

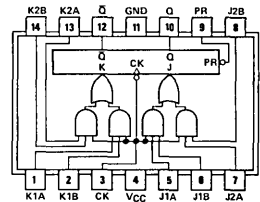
positive logic:  $J = (J1A \cdot J1B) + (J2A \cdot J2B)$

$K = (K1A \cdot K1B) + (K2A \cdot K2B)$

See page 6-50



SN54H71 (J) SN74H71 (J, N)



SN54H71 (W)

### AND-GATED R-S MASTER-SLAVE FLIP-FLOPS WITH PRESET AND CLEAR

**L71**

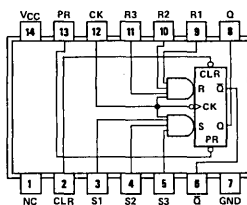
#### FUNCTION TABLE

INPUTS					OUTPUTS	
PRESET	CLEAR	CLOCK	S	R	Q	$\bar{Q}$
L	H	X	X	X	H	L
H	L	X	X	X	L	H
L	L	X	X	X	H*	H*
H	H	↓	L	L	Q <sub>0</sub>	$\bar{Q}_0$
H	H	↓	H	L	H	L
H	H	↓	L	H	L	H
H	H	↓	H	H	INDETERMINATE	

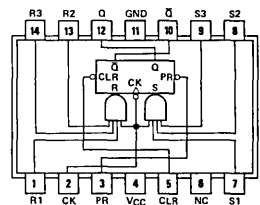
positive logic:  $R = R1 \cdot R2 \cdot R3$

$S = S1 \cdot S2 \cdot S3$

See page 6-54



SN54L71 (J) SN74L71 (J, N)



SN54L71 (T)

NC—No internal connection

See explanation of function tables on page 3-8.

\* This configuration is nonstable; that is, it will not persist when preset and clear inputs return to their inactive (high) level.

5

# 54/74 FAMILIES OF COMPATIBLE TTL CIRCUITS

## PIN ASSIGNMENTS (TOP VIEWS)

### AND-GATED J-K MASTER-SLAVE FLIP-FLOPS WITH PRESET AND CLEAR

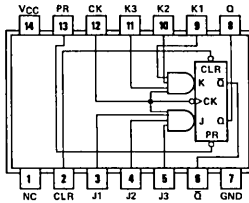
72

FUNCTION TABLE

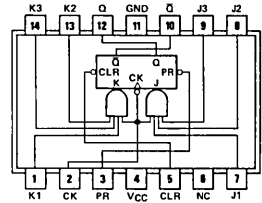
INPUTS					OUTPUTS	
PRESET	CLEAR	CLOCK	J	K	Q	$\bar{Q}$
L	H	X	X	X	H	L
H	L	X	X	X	L	H
L	L	X	X	X	H*	H*
H	H	$\downarrow$	L	L	Q <sub>0</sub>	$\bar{Q}_0$
H	H	$\downarrow$	H	L	H	L
H	H	$\downarrow$	L	H	L	H
H	H	$\downarrow$	H	H	TOGGLE	TOGGLE

positive logic: J = J1·J2·J3; K1·K2·K3

See pages 6-46, 6-50, and 6-54



SN5472 (J) SN7472 (J, N)  
 SN54H72 (J) SN74H72 (J, N)  
 SN54L72 (J) SN74L72 (J, N)



SN5472 (W) SN54H72 (W)  
 SN54L72 (T)

NC—No internal connection

### DUAL J-K FLIP-FLOPS WITH CLEAR

73

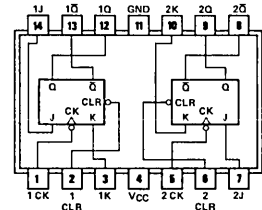
'73, 'H73, 'L73  
FUNCTION TABLE

INPUTS				OUTPUTS	
CLEAR	CLOCK	J	K	Q	$\bar{Q}$
L	X	X	X	L	H
H	$\downarrow$	L	L	Q <sub>0</sub>	$\bar{Q}_0$
H	$\downarrow$	H	L	H	L
H	$\downarrow$	L	H	L	H
H	$\downarrow$	H	H	TOGGLE	TOGGLE

See pages 6-46, 6-50, 6-54, and 6-56

'LS73A  
FUNCTION TABLE

INPUTS				OUTPUTS	
CLEAR	CLOCK	J	K	Q	$\bar{Q}$
L	X	X	X	L	H
H	$\downarrow$	L	L	Q <sub>0</sub>	$\bar{Q}_0$
H	$\downarrow$	H	L	H	L
H	$\downarrow$	L	H	L	H
H	$\downarrow$	H	H	TOGGLE	TOGGLE
H	H	X	X	Q <sub>0</sub>	$\bar{Q}_0$



SN5473 (J, W) SN7473 (J, N)  
 SN54H73 (J, W) SN74H73 (J, N)  
 SN54L73 (J, T) SN74L73 (J, N)  
 SN54LS73A (J, W) SN74LS73A (J, N)

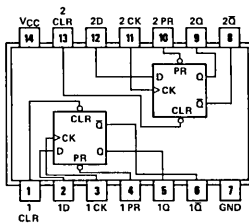
### DUAL D-TYPE POSITIVE-EDGE-TRIGGERED FLIP-FLOPS WITH PRESET AND CLEAR

74

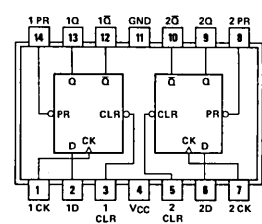
FUNCTION TABLE

INPUTS					OUTPUTS	
PRESET	CLEAR	CLOCK	D	Q	$\bar{Q}$	
L	H	X	X	H	L	
H	L	X	X	L	H	
L	L	X	X	H*	H*	
H	H	$\uparrow$	H	H	L	
H	H	$\uparrow$	L	L	H	
H	H	L	X	Q <sub>0</sub>	$\bar{Q}_0$	

See pages 6-46, 6-50, 6-54, and 6-56



SN5474 (J) SN7474 (J, N)  
 SN54H74 (J) SN74H74 (J, N)  
 SN54L74 (J) SN74L74 (J, N)  
 SN54LS74A (J, W) SN74LS74A (J, N)  
 SN54S74 (J, W) SN74S74 (J, N)



SN5474 (W) SN54H74 (W)  
 SN54L74 (T)

See explanation of function tables on page 3-8.

\*This configuration is nonstable; that is, it will not persist when preset or clear inputs return to their inactive (high) level. Furthermore, the output levels of the 'LS74A in this configuration are not guaranteed to meet the minimum levels for  $V_{OH}$  if the lows at preset and clear are near  $V_{IL}$  maximum.

# 54/74 FAMILIES OF COMPATIBLE TTL CIRCUITS

## PIN ASSIGNMENTS (TOP VIEWS)

### 4-BIT BISTABLE LATCHES

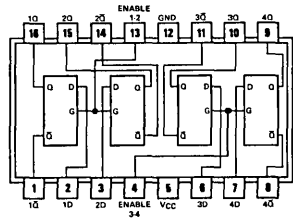
# 75

FUNCTION TABLE  
(Each Latch)

INPUTS		OUTPUTS	
D	G	Q	$\bar{Q}$
L	H	L	H
H	H	H	L
X	L	Q <sub>0</sub>	$\bar{Q}$ <sub>0</sub>

H = high level, L = low level, X = irrelevant  
Q<sub>0</sub> = the level of Q before the high-to-low transition of G

See page 7-35



SN5475 (J, W) SN7475 (J, N)  
SN54L75 (J) SN74L75 (J, N)  
SN54LS75 (J, W) SN74LS75 (J, N)

### DUAL J-K FLIP-FLOPS WITH PRESET AND CLEAR

# 76

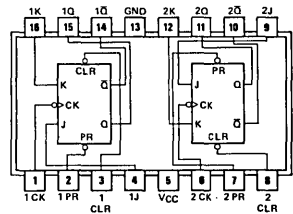
'76, 'H76  
FUNCTION TABLE

INPUTS				OUTPUTS		
PRESET	CLEAR	CLOCK	J	K	Q	$\bar{Q}$
L	H	X	X	X	H	L
H	L	X	X	X	L	H
L	L	X	X	X	H*	H*
H	H	$\downarrow$	L	L	Q <sub>0</sub>	$\bar{Q}$ <sub>0</sub>
H	H	$\downarrow$	H	L	H	L
H	H	$\downarrow$	L	H	L	H
H	H	$\downarrow$	H	H	TOGGLE	TOGGLE

'LS76A  
FUNCTION TABLE

INPUTS				OUTPUTS		
PRESET	CLEAR	CLOCK	J	K	Q	$\bar{Q}$
L	H	X	X	X	H	L
H	L	X	X	X	L	H
L	L	X	X	X	H*	H*
H	H	$\downarrow$	L	L	Q <sub>0</sub>	$\bar{Q}$ <sub>0</sub>
H	H	$\downarrow$	H	L	H	L
H	H	$\downarrow$	L	H	L	H
H	H	$\downarrow$	H	H	TOGGLE	TOGGLE
H	H	$\downarrow$	H	X	Q <sub>0</sub>	$\bar{Q}$ <sub>0</sub>

See pages 6-46, 6-50, and 6-56



SN5476 (J, W) SN7476 (J, N)  
SN54H76 (J, W) SN74H76 (J, N)  
SN54LS76A (J, W) SN74LS76A (J, N)

### 4-BIT BISTABLE LATCHES

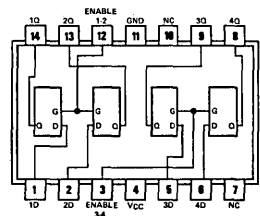
# 77

FUNCTION TABLE  
(Each Latch)

INPUTS		OUTPUTS	
D	G	Q	$\bar{Q}$
L	H	L	H
H	H	H	L
X	L	Q <sub>0</sub>	$\bar{Q}$ <sub>0</sub>

H = high level, L = low level, X = irrelevant  
Q<sub>0</sub> = the level of Q before the high-to-low transition of G

See page 7-35



SN5477 (W)  
SN54L77 (T)  
SN54LS77 (W)

See explanation of function tables on page 3-8.

\* This configuration is nonstable; that is, it will not persist when preset and clear inputs return to their inactive (high) level.

TEXAS INSTRUMENTS  
INCORPORATED

POST OFFICE BOX 225012 • DALLAS, TEXAS 75265



# 54/74 FAMILIES OF COMPATIBLE TTL CIRCUITS

## PIN ASSIGNMENTS (TOP VIEWS)

DUAL J-K FLIP-FLOPS WITH PRESET, COMMON CLEAR, AND COMMON CLOCK

**78** 'H78, 'L78  
FUNCTION TABLE

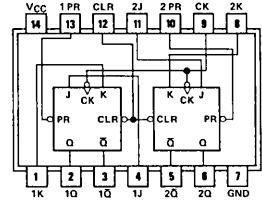
INPUTS					OUTPUTS	
PRESET	CLEAR	CLOCK	J	K	Q	$\bar{Q}$
L	H	X	X	X	H	L
H	L	X	X	X	L	H
L	L	X	X	X	H*	H*
H	H	$\downarrow$	L	L	$Q_0$	$\bar{Q}_0$
H	H	$\downarrow$	H	L	H	L
H	H	$\downarrow$	L	H	L	H
H	H	$\downarrow$	H	H	TOGGLE	

See pages 6-50 and 6-54

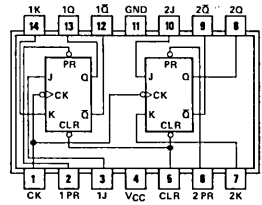
'LS78A  
FUNCTION TABLE

INPUTS					OUTPUTS	
PRESET	CLEAR	CLOCK	J	K	Q	$\bar{Q}$
L	H	X	X	X	H	L
H	L	X	X	X	L	H
L	L	X	X	X	H*	H*
H	H	I	L	L	$Q_0$	$\bar{Q}_0$
H	H	I	H	L	H	L
H	H	I	L	H	L	H
H	H	I	H	H	TOGGLE	
H	H	H	X	X	$Q_0$	$\bar{Q}_0$

See page 6-56



SN54H78(J,W) SN74H78(J,N)



SN54L78(J,T) SN74L78(J,N)  
SN54LS78A(J,W) SN74LS78A(J,N)

GATED FULL ADDERS

**80** GATED COMPLEMENTARY INPUTS  
COMPLEMENTARY SUM OUTPUTS

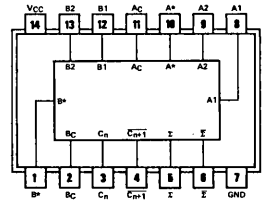
FUNCTION TABLE  
(See Notes 1, 2, and 3)

INPUTS			OUTPUTS		
$C_n$	B	A	$\bar{C}_{n+1}$	$\bar{\Sigma}$	$\Sigma$
L	L	L	H	H	L
L	L	H	H	L	H
L	H	L	H	L	H
L	H	H	L	H	L
H	L	L	H	L	H
H	L	H	L	H	L
H	H	L	L	H	L
H	H	H	L	L	H

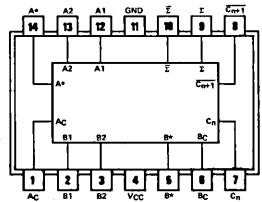
H = high level, L = low level

- NOTES:
- $A = \bar{A}c + \bar{A}^* + A1 \cdot A2$ ,  $B = \bar{B}c + B^* + B1 \cdot B2$ .
  - When  $A^*$  is used as an input, A1 or A2 must be low. When  $B^*$  is used as an input, B1 or B2 must be low.
  - When A1 and A2 or B1 and B2 are used as inputs,  $A^*$  or  $B^*$ , respectively, must be open or used to perform dot-AND logic.

See page 7-41



SN5480(J) SN7480(J,N)



SN5480(W)

See explanation of function tables on page 3-8.

\*This configuration is nonstable; that is, it will not persist when preset and clear inputs return to their inactive (high) level.

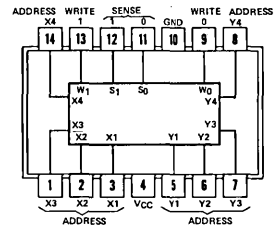
# 54/74 FAMILIES OF COMPATIBLE TTL CIRCUITS

## PIN ASSIGNMENTS (TOP VIEWS)

### 16-BIT RANDOM-ACCESS MEMORIES

**81**

See page 7-44

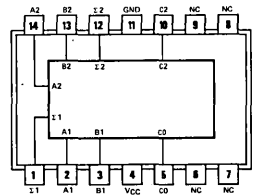


SN5481A (J, W) SN7481A (J, N)

### 2-BIT BINARY FULL ADDERS

**82**

See page 7-49



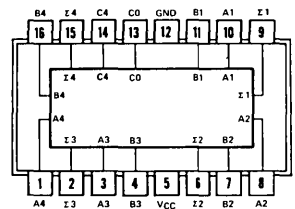
SN5482 (J, W) SN7482 (J, N)

NC—No internal connection

### 4-BIT BINARY FULL ADDERS WITH FAST CARRY

**83**

See page 7-53

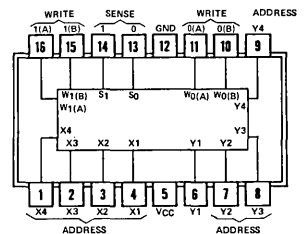


SN5483A (J, W) SN74 83A (J, N)  
SN54LS83A (J, W) SN74LS83A (J, N)

### 16-BIT RANDOM-ACCESS MEMORIES

**84**

See page 7-44



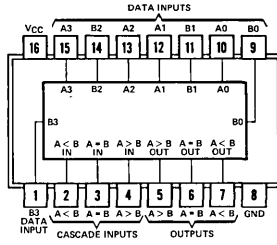
SN5484A (J, W) SN7484A (J, N)

# 54/74 FAMILIES OF COMPATIBLE TTL CIRCUITS

## PIN ASSIGNMENTS (TOP VIEWS)

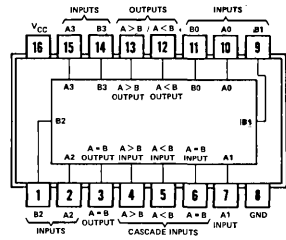
### 4-BIT MAGNITUDE COMPARATORS

85



SN5485 (J, W) SN7485 (J, N)  
 SN54LS85 (J, W) SN74LS85 (J, N)  
 SN54S85 (J, W) SN74S85 (J, N)

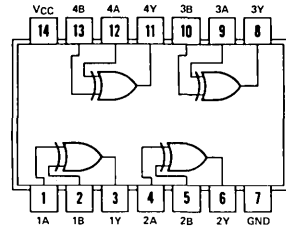
See page 7-57



SN54L85 (J) SN74L85 (J, N)

### QUADRUPLE 2-INPUT EXCLUSIVE-OR GATES

86  $Y = A \oplus B = \bar{A}B + A\bar{B}$



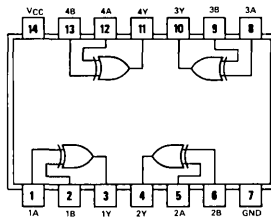
SN5486 (J, W) SN7486 (J, N)  
 SN54LS86 (J, W) SN74LS86 (J, N)  
 SN54S86 (J, W) SN74S86 (J, N)

#### FUNCTION TABLE

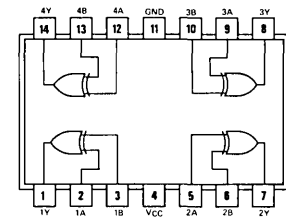
INPUTS		OUTPUT
A	B	Y
L	L	L
L	H	H
H	L	H
H	H	L

H = high level, L = low level

See page 7-65



SN54L86 (J) SN74L86 (J, N)



SN54L86 (T)

### 4-BIT TRUE/COMPLEMENT, ZERO/ONE ELEMENTS

87

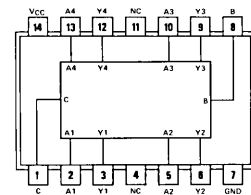
#### FUNCTION TABLE

CONTROL INPUTS		OUTPUTS			
B	C	Y1	Y2	Y3	Y4
L	L	$\bar{A}1$	$\bar{A}2$	$\bar{A}3$	$\bar{A}4$
L	H	A1	A2	A3	A4
H	L	H	H	H	H
H	H	L	L	L	L

H = high level, L = low level

A1, A2, A3, A4 = the level of the respective A input

See page 7-70



SN54H87 (J, W) SN74H87 (J, N)

NC--No internal connection

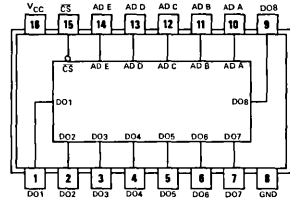
# 54/74 FAMILIES OF COMPATIBLE TTL CIRCUITS

## PIN ASSIGNMENTS (TOP VIEWS)

### 256-BIT READ-ONLY MEMORIES

**88** 32 8-BIT WORDS  
OPEN-COLLECTOR OUTPUTS

For more information contact the factory

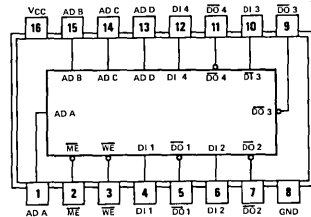


SN5488A (J, W) SN7488A (J, N)

### 64-BIT READ/WRITE MEMORIES

**89** 16 4-BIT WORDS

For more information contact the factory

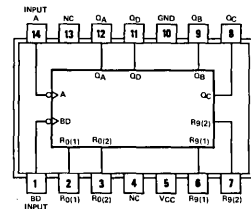


SN7489 (J, N)

### DECADE COUNTERS

**90** DIVIDE-BY-TWO AND DIVIDE-BY FIVE

See Page 7-72



SN5490A (J, W) SN7490A (J, N)  
SN54L90 (J, T) SN74L90 (J, N)  
SN54LS90 (J, W) SN74LS90 (J, N)

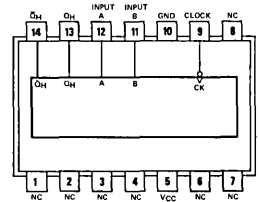
NC — No internal connection

# 54/74 FAMILIES OF COMPATIBLE TTL CIRCUITS

## PIN ASSIGNMENTS (TOP VIEWS)

### 8-BIT SHIFT REGISTERS

#### 91 SERIAL-IN, SERIAL-OUT GATED INPUT



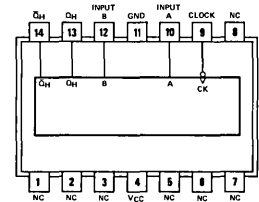
SN5491A (J)      SN7491A (J,N)  
SN54L91 (J)      SN74L91 (J,N)  
SN54LS91 (J)      SN74LS91 (J,N)

#### FUNCTION TABLE

INPUTS AT $t_n$		OUTPUTS AT $t_{n+8}$	
A	B	$Q_H$	$\bar{Q}_H$
H	H	H	L
L	X	L	H
X	L	L	H

See Page 7-81

H = high, L = low  
X = irrelevant  
 $t_n$  = Reference bit time, clock low  
 $t_{n+8}$  = Bit time after 8 low-to-high clock transitions

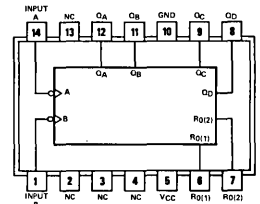


SN5491A (W)  
SN54L91 (T)  
SN54LS91 (W)

NC — No internal connections

### DIVIDE-BY-TWELVE COUNTERS

#### 92 DIVIDE-BY-TWO AND DIVIDE-BY-SIX

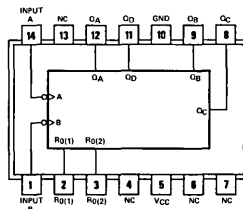


SN5492A (J,W)      SN7492A (J,N)  
SN54LS92 (J,W)      SN74LS92 (J,N)

NC—No internal connection

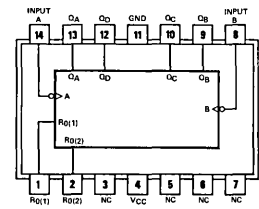
### 4-BIT BINARY COUNTERS

#### 93 DIVIDE-BY-TWO AND DIVIDE-BY-EIGHT



SN5493A (J,W)      SN7493A (J,N)  
SN54LS93 (J,W)      SN74LS93 (J,N)

See Page 7-72



SN54L93 (J,T)      SN74L93 (J,N)

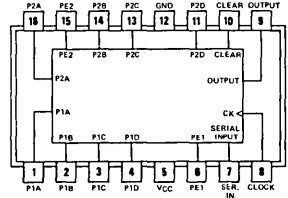
NC—No internal connection

# 54/74 FAMILIES OF COMPATIBLE TTL CIRCUITS

## PIN ASSIGNMENTS (TOP VIEWS)

### 4-BIT SHIFT REGISTERS

#### 94 DUAL ASYNCHRONOUS PRESETS

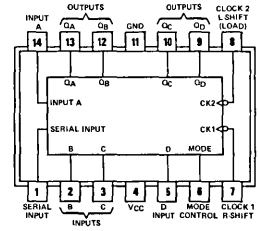
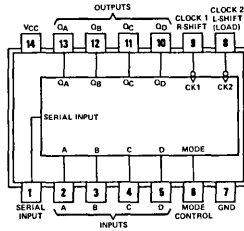


SN5494 (J, W) SN7494 (J, N)

See Page 7-86

### 4-BIT SHIFT REGISTERS

#### 95 PARALLEL IN/PARALLEL OUT SHIFT RIGHT, SHIFT LEFT SERIAL INPUT



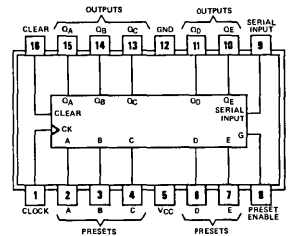
SN5495A (J, W) SN7495A (J, N)  
SN54LS95B (J, W) SN74LS95B (J, N)

SN54L95 (J, T) SN74L95 (J, N)

See Page 7-89

### 5-BIT SHIFT REGISTERS

#### 96 ASYNCHRONOUS PRESET

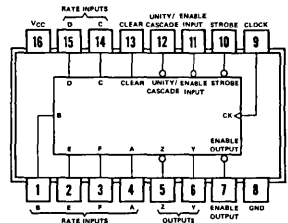


SN5496 (J, W) SN7496 (J, N)  
SN54L96 (J) SN74L96 (J, N)  
SN54LS96 (J, W) SN74LS96 (J, N)

See Page 7-95

### SYNCHRONOUS 6-BIT BINARY RATE MULTIPLIERS

#### 97



SN5497 (J, W) SN7497 (J, N)

See Page 7-102

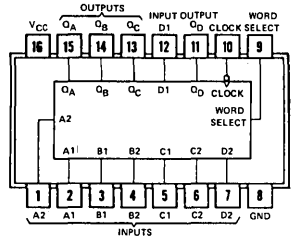
# 54/74 FAMILIES OF COMPATIBLE TTL CIRCUITS

## PIN ASSIGNMENTS (TOP VIEWS)

### 4-BIT DATA SELECTOR/STORAGE REGISTERS

**98** SELECTS 1 OF 2 4-BIT WORDS  
PARALLEL IN/OUT

See Page 7-107

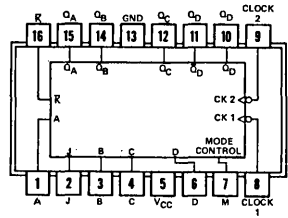


SN54L98 (J) SN74L98 (J, N)

### 4-BIT BIDIRECTIONAL UNIVERSAL SHIFT REGISTERS

**99** SERIAL J-K INPUTS

See Page 7-109



SN54L99 (J) SN74L99 (J, N)

### 8-BIT BISTABLE LATCHES

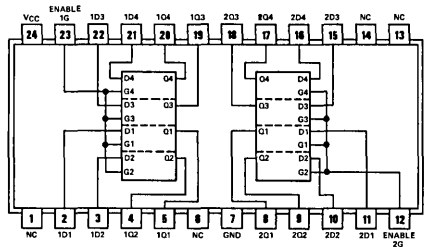
**100**

FUNCTION TABLE  
(Each Latch)

INPUTS		OUTPUTS	
D	G	Q	$\bar{Q}$
L	H	L	H
H	H	H	L
X	L	$Q_0$	$\bar{Q}_0$

H = high level, X = irrelevant  
 $Q_0$  = the level of Q before the high-to-low transition of G

See Page 7-113



SN54100 (J, W) SN74100 (J, N)

NC — No internal connection

# 54/74 FAMILIES OF COMPATIBLE TTL CIRCUITS

## PIN ASSIGNMENTS (TOP VIEWS)

### AND-OR-GATED J-K NEGATIVE-EDGE-TRIGGERED FLIP-FLOPS WITH PRESET

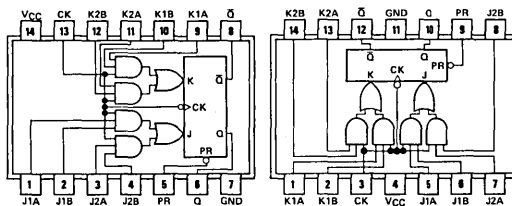
101

FUNCTION TABLE

INPUTS				OUTPUTS	
PRESET	CLOCK	J	K	Q	$\bar{Q}$
L	X	X	X	H	L
H	↓	L	L	$Q_0$	$\bar{Q}_0$
H	↓	H	L	H	L
H	↓	L	H	L	H
H	↓	H	H	TOGGLE	
H	H	X	X	$Q_0$	$\bar{Q}_0$

positive logic:  $J = (J1A \cdot J1B) + (J2A \cdot J2B)$   
 $K = (K1A \cdot K1B) + (K2A \cdot K2B)$

See page 6-52



SN54H101 (J) SN74H101 (J, N) SN54H101 (W)

### AND-GATED J-K NEGATIVE-EDGE-TRIGGERED FLIP-FLOPS WITH PRESET AND CLEAR

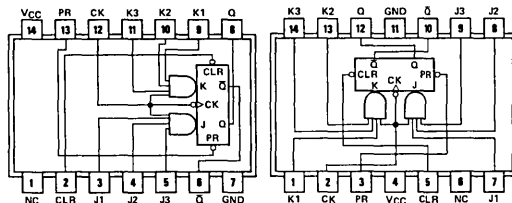
102

FUNCTION TABLE

INPUTS					OUTPUTS	
PRESET	CLEAR	CLOCK	J	K	Q	$\bar{Q}$
L	H	X	X	X	H	L
H	L	X	X	X	L	H
L	L	X	X	X	$H^*$	$H^*$
H	H	↓	L	L	$Q_0$	$\bar{Q}_0$
H	H	↓	H	L	H	L
H	H	↓	L	H	L	H
H	H	↓	H	H	TOGGLE	
H	H	H	X	X	$Q_0$	$\bar{Q}_0$

positive logic:  $J = J1 \cdot J2 \cdot J3$   
 $K = K1 \cdot K2 \cdot K3$

See page 6-52



SN54H102 (J) SN74H102 (J, N) SN54H102 (W)

NC—No internal connection

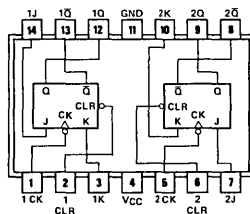
### DUAL J-K NEGATIVE-EDGE-TRIGGERED FLIP-FLOPS WITH CLEAR

103

FUNCTION TABLE

INPUTS				OUTPUTS	
CLEAR	CLOCK	J	K	Q	$\bar{Q}$
L	X	X	X	L	H
H	↓	L	L	$Q_0$	$\bar{Q}_0$
H	↓	H	L	H	L
H	↓	L	H	L	H
H	↓	H	H	TOGGLE	
H	H	X	X	$Q_0$	$\bar{Q}_0$

See page 6-52



SN54H103 (J, W) SN74H103 (J, N)

See explanation of function tables on page 3-8.

\*This configuration is nonstable; that is, it will not persist when preset and clear inputs return to their inactive (high) level.



# 54/74 FAMILIES OF COMPATIBLE TTL CIRCUITS

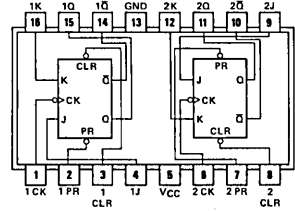
## PIN ASSIGNMENTS (TOP VIEWS)

DUAL J-K NEGATIVE-EDGE-TRIGGERED FLIP-FLOPS WITH PRESET AND CLEAR

### 106

FUNCTION TABLE

INPUTS					OUTPUTS	
PRESET	CLEAR	CLOCK	J	K	Q	$\bar{Q}$
L	H	X	X	X	H	L
H	L	X	X	X	L	H
L	L	X	X	X	H*	H*
H	H	↓	L	L	Q <sub>0</sub>	$\bar{Q}_0$
H	H	↓	H	L	H	L
H	H	↓	L	H	L	H
H	H	↓	H	H	TOGGLE	TOGGLE
H	H	H	X	X	Q <sub>0</sub>	$\bar{Q}_0$



SN54H106 (J, W) SN74H106 (J, N)

See page 6-52

DUAL J-K FLIP-FLOPS WITH CLEAR

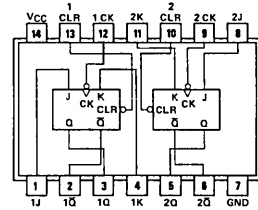
### 107

'107  
FUNCTION TABLE

INPUTS				OUTPUTS	
CLEAR	CLOCK	J	K	Q	$\bar{Q}$
L	X	X	X	L	H
H	↓	L	L	Q <sub>0</sub>	$\bar{Q}_0$
H	↓	H	L	H	L
H	↓	L	H	L	H
H	↓	H	H	TOGGLE	TOGGLE

'LS107A  
FUNCTION TABLE

INPUTS				OUTPUTS	
CLEAR	CLOCK	J	K	Q	$\bar{Q}$
L	X	X	X	L	H
H	↓	L	L	Q <sub>0</sub>	$\bar{Q}_0$
H	↓	H	L	H	L
H	↓	L	H	L	H
H	↓	H	H	TOGGLE	TOGGLE
H	H	X	X	Q <sub>0</sub>	$\bar{Q}_0$



SN54107 (J) SN74107 (J, N)  
SN54LS107A (J) SN74LS107A (J, N)

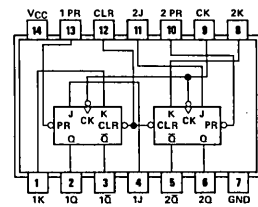
See pages 6-46 and 6-56

DUAL J-K NEGATIVE-EDGE-TRIGGERED FLIP-FLOPS WITH PRESET, COMMON CLEAR, AND COMMON CLOCK

### 108

FUNCTION TABLE

INPUTS					OUTPUTS	
PRESET	CLEAR	CLOCK	J	K	Q	$\bar{Q}$
L	H	X	X	X	H	L
H	L	X	X	X	L	H
L	L	X	X	X	H*	H*
H	H	↓	L	L	Q <sub>0</sub>	$\bar{Q}_0$
H	H	↓	H	L	H	L
H	H	↓	L	H	L	H
H	H	↓	H	H	TOGGLE	TOGGLE
H	H	H	X	X	Q <sub>0</sub>	$\bar{Q}_0$



SN54H108 (J, W) SN74H108 (J, N)

See page 6-52

See explanation of function tables on page 3-8.

\* This configuration is nonstable; that is, it will not persist when preset and clear inputs return to their inactive (high) level.

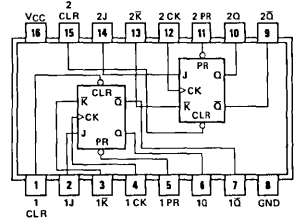
# 54/74 FAMILIES OF COMPATIBLE TTL CIRCUITS

## PIN ASSIGNMENTS (TOP VIEWS)

### EDGE-TRIGGERED FLIP-FLOPS WITH PRESET AND CLEAR

FUNCTION TABLE

CLOCK	INPUTS			OUTPUTS	
	J	K	CLR	Q	$\bar{Q}$
X	X	X	X	H	L
X	X	X	X	L	H
L	X	X	X	H*	H*
H	↑	L	L	L	H
H	H	↑	H	L	TOGGLE
H	H	↑	L	H	Q <sub>0</sub>
H	H	↑	H	H	$\bar{Q}_0$
H	H	L	X	X	Q <sub>0</sub>



SN54109 (J, W) SN74109 (J, N)  
SN54LS109A (J, W) SN74LS109A (J, N)

See pages 6-46 and 6-56

### AND-GATED J-K MASTER-SLAVE FLIP-FLOPS WITH DATA LOCKOUT

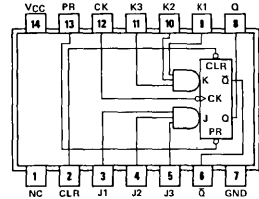
110

FUNCTION TABLE

INPUTS					OUTPUTS	
PRESET	CLEAR	CLOCK	J	K	Q	$\bar{Q}$
L	H	X	X	X	H	L
H	L	X	X	X	L	H
L	L	X	X	X	H*	H*
H	H	⌋	L	L	Q <sub>0</sub>	$\bar{Q}_0$
H	H	⌋	H	L	H	L
H	H	⌋	L	H	L	H
H	H	⌋	H	H	TOGGLE	

positive logic: J = J1·J2·J3  
K = K1·K2·K3

See page 6-46



SN54110 (J, W) SN74110 (J, N)

NC—No internal connection

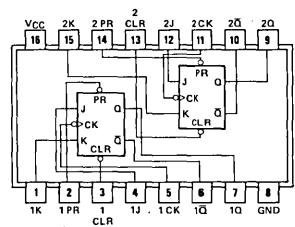
### DUAL J-K MASTER-SLAVE FLIP-FLOPS WITH DATA LOCKOUT

111

FUNCTION TABLE

INPUTS					OUTPUTS	
PRESET	CLEAR	CLOCK	J	K	Q	$\bar{Q}$
L	H	X	X	X	H	L
H	L	X	X	X	L	H
L	L	X	X	X	H*	H*
H	H	⌋	L	L	Q <sub>0</sub>	$\bar{Q}_0$
H	H	⌋	H	L	H	L
H	H	⌋	L	H	L	H
H	H	⌋	H	H	TOGGLE	

See page 6-46



SN54111 (J, W) SN74111 (J, N)

See explanation of function tables on page 3-8.

\*This configuration is nonstable; that is, it will not persist when preset and clear inputs return to their inactive (high) level.

# 54/74 FAMILIES OF COMPATIBLE TTL CIRCUITS

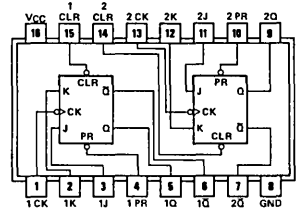
## PIN ASSIGNMENTS (TOP VIEWS)

### DUAL J-K NEGATIVE-EDGE-TRIGGERED FLIP-FLOPS WITH PRESET AND CLEAR

**112**

FUNCTION TABLE

INPUTS				OUTPUTS		
PRESET	CLEAR	CLOCK	J	K	Q	$\bar{Q}$
L	H	X	X	X	H	L
H	L	X	X	X	L	H
L	L	X	X	X	H*	H*
H	H	↓	L	L	Q <sub>0</sub>	$\bar{Q}_0$
H	H	↓	H	L	H	L
H	H	↓	L	H	L	H
H	H	↓	H	H	TOGGLE	
H	H	H	X	X	Q <sub>0</sub>	$\bar{Q}_0$



SN54LS112A (J, W) SN74LS112A (J, N)  
SN54S112 (J, W) SN74S112 (J, N)

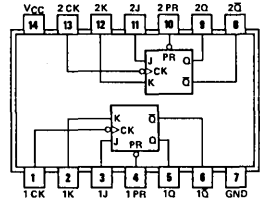
See pages 6-56 and 6-58

### DUAL J-K NEGATIVE-EDGE-TRIGGERED FLIP-FLOPS WITH PRESET

**113**

FUNCTION TABLE

INPUTS				OUTPUTS	
PRESET	CLOCK	J	K	Q	$\bar{Q}$
L	X	X	X	H	L
H	↓	L	L	Q <sub>0</sub>	$\bar{Q}_0$
H	↓	H	L	H	L
H	↓	L	H	L	H
H	↓	H	H	TOGGLE	
H	H	X	X	Q <sub>0</sub>	$\bar{Q}_0$



SN54LS113A (J, W) SN74LS113A (J, N)  
SN54S113 (J, W) SN74S113 (J, N)

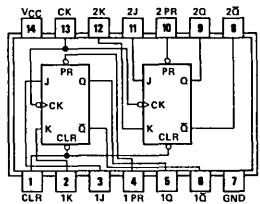
See pages 6-56 and 6-58

### DUAL J-K NEGATIVE-EDGE-TRIGGERED FLIP-FLOPS WITH PRESET, COMMON CLEAR, AND COMMON CLOCK

**114**

FUNCTION TABLE

INPUTS				OUTPUTS		
PRESET	CLEAR	CLOCK	J	K	Q	$\bar{Q}$
L	H	X	X	X	H	L
H	L	X	X	X	L	H
L	L	X	X	X	H*	H*
H	H	↓	L	L	Q <sub>0</sub>	$\bar{Q}_0$
H	H	↓	H	L	H	L
H	H	↓	L	H	L	H
H	H	↓	H	H	TOGGLE	
H	H	H	X	X	Q <sub>0</sub>	$\bar{Q}_0$



SN54LS114A (J, W) SN74LS114A (J, N)  
SN54S114 (J, W) SN74S114 (J, N)

See pages 6-56 and 6-58

See explanation of function tables on page 3-8.

\* This configuration is nonstable; that is, it will not persist when preset and clear inputs return to their inactive (high) level.

# 54/74 FAMILIES OF COMPATIBLE TTL CIRCUITS

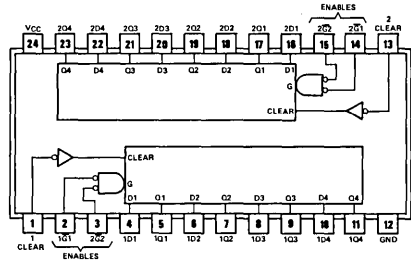
## PIN ASSIGNMENTS (TOP VIEWS)

### DUAL 4-BIT LATCHES

116

FUNCTION TABLE  
(EACH LATCH)

CLEAR	ENABLES		DATA		OUTPUT Q
	G <sub>1</sub>	G <sub>2</sub>	L	X	
H	L	L	L	L	L
H	L	L	H	H	H
H	X	H	X	X	Q <sub>0</sub>
H	H	X	X	X	Q <sub>0</sub>
L	X	X	X	X	L



SN54116 (J, W) SN74116 (J, N)

See page 7-115

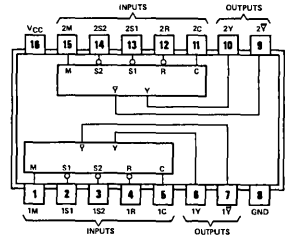
### DUAL PULSE SYNCHRONIZERS/DRIVERS

120

FUNCTION TABLE

INPUTS			FUNCTION
R	S1	S2	
X	L	X	Pass Output Pulses
X	X	L	Pass Output Pulses
L	H	H	Inhibit Output Pulses
H	↓	H	Start Output Pulses
H	H	↓	Start Output Pulses
↓	H	H	Stop Output Pulses
H	H	H	Continue†

† Operation initiated by last ↓ transition continues.



SN54120 (J, W) SN74120 (J, N)

See page 7-118

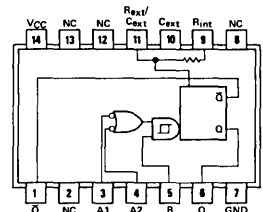
### MONOSTABLE MULTIVIBRATORS

121

FUNCTION TABLE

INPUTS			OUTPUTS	
A1	A2	B	Q	Q̄
L	X	H	L	H
X	L	H	L*	H*
X	X	L	L*	H*
H	H	X	L*	H*
H	↓	H	⌋	⌋
↓	H	H	⌋	⌋
↓	↓	H	⌋	⌋
L	X	↑	⌋	⌋
X	L	↑	⌋	⌋

- NOTES: 1. An external capacitor may be connected between C<sub>ext</sub> (positive) and R<sub>ext</sub>/C<sub>ext</sub>.
2. To use the internal timing resistor, connect R<sub>int</sub> to V<sub>CC</sub>. For improved pulse width accuracy and repeatability, connect an external resistor between R<sub>ext</sub>/C<sub>ext</sub> and V<sub>CC</sub> with R<sub>int</sub> open-circuited.



SN54121 (J, W) SN74121 (J, N)  
SN54L121 (J, T) SN74L121 (J, N)

\*121 ... R<sub>int</sub> = 2 kΩ NOM  
\*L121 ... R<sub>int</sub> = 4 kΩ NOM

NC—No internal connection

See page 6-64

See explanation of function tables on page 3-8.

\*These lines of the function table assume that the indicated steady-state conditions at the A and B inputs have been set up long enough to complete any pulse started before the setup.

TEXAS INSTRUMENTS  
INCORPORATED

POST OFFICE BOX 225012 • DALLAS, TEXAS 75265

# 54/74 FAMILIES OF COMPATIBLE TTL CIRCUITS

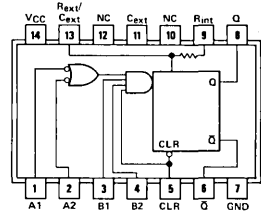
## PIN ASSIGNMENTS (TOP VIEWS)

### RETRIGGERABLE MONOSTABLE MULTIVIBRATORS WITH CLEAR

#### 122 FUNCTION TABLE

CLEAR	INPUTS				OUTPUTS	
	A1	A2	B1	B2	Q	$\bar{Q}$
L	X	X	X	X	L	H
X	H	H	X	X	L*	H*
X	X	X	L	X	L*	H*
X	X	X	X	L	L*	H*
H	L	X	†	H	$\square$	$\square$
H	L	X	H	†	$\square$	$\square$
H	X	L	†	H	$\square$	$\square$
H	X	L	H	†	$\square$	$\square$
H	H	†	H	H	$\square$	$\square$
H	†	†	H	H	$\square$	$\square$
H	†	H	H	H	$\square$	$\square$
†	L	X	H	H	$\square$	$\square$
†	X	L	H	H	$\square$	$\square$

- NOTES: 1. An external timing capacitor may be connected between  $C_{ext}$  and  $R_{ext}/C_{ext}$  (positive).  
 2. For accurate repeatable pulse widths, connect an external resistor between  $R_{ext}/C_{ext}$  and  $V_{CC}$  with  $R_{int}$  open-circuited.



SN54122 (J, W) SN74122 (J, N)  
 SN54L122 (J, T) SN74L122 (J, N)  
 SN54LS122 (J, W) SN74LS122 (J, N)  
 \*122 ...  $R_{int} = 10 \text{ k}\Omega \text{ NOM}$   
 †L122 ...  $R_{int} = 20 \text{ k}\Omega \text{ NOM}$   
 †LS122 ...  $R_{int} = 10 \text{ k}\Omega \text{ NOM}$

See page 6-76

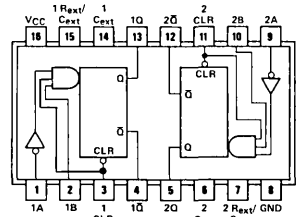
NC—No internal connection

### DUAL RETRIGGERABLE MONOSTABLE MULTIVIBRATORS WITH CLEAR

#### 123 FUNCTION TABLE

CLEAR	INPUTS		OUTPUTS	
	A	B	Q	$\bar{Q}$
L	X	X	L	H
X	H	X	L*	H*
X	X	L	L*	H*
H	L	†	$\square$	$\square$
H	†	H	$\square$	$\square$
†	L	H	$\square$	$\square$

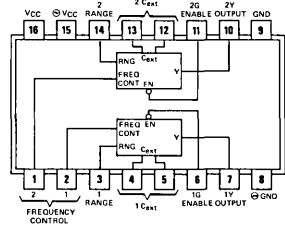
See page 6-76



SN54123 (J, W) SN74123 (J, N)  
 SN54L123 (J) SN74L123 (J, N)  
 SN54LS123 (J, W) SN74LS123 (J, N)

### DUAL VOLTAGE-CONTROLLED OSCILLATORS

#### 124



SN54S124 (J, W) SN74S124 (J, N)

See page 7-123

NC—No internal connection

†See explanation of function tables on page 3-8.

\*These lines of the function table assume that the indicated steady-state conditions at the A and B inputs have been set up long enough to complete any pulse started before the setup.

# 54/74 FAMILIES OF COMPATIBLE TTL CIRCUITS

## PIN ASSIGNMENTS (TOP VIEWS)

### QUADRUPLE BUS BUFFER GATES WITH THREE-STATE OUTPUTS

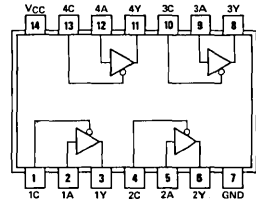
**125**

positive logic:

$$Y = A$$

Output is off (disabled) when C is high.

See page 6-33



SN54125 (J, W) SN74125 (J, N)  
SN54LS125A (J, W) SN74LS125A (J, N)

### QUADRUPLE BUS BUFFER GATES WITH THREE-STATE OUTPUTS

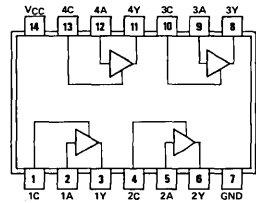
**126**

positive logic:

$$Y = A$$

Output is off (disabled) when C is low.

See page 6-33



SN54126 (J, W) SN74126 (J, N)  
SN54LS126A (J, W) SN74LS126A (J, N)

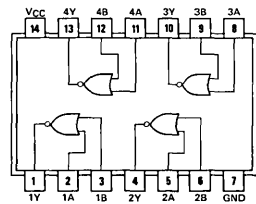
### SN54128 . . . 75-OHM LINE DRIVER SN74128 . . . 50-OHM LINE DRIVER

**128**

positive logic:

$$Y = \overline{A+B}$$

See page 6-22



SN54128 (J, W) SN74128 (J, N)

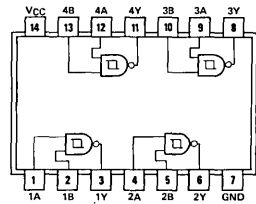
### QUADRUPLE 2-INPUT POSITIVE-NAND SCHMITT TRIGGERS

**132**

positive logic:

$$Y = \overline{AB}$$

See page 6-14



SN54132 (J, W) SN74132 (J, N)  
SN54LS132 (J, W) SN74LS132 (J, N)  
SN54S132 (J, W) SN74S132 (J, N)

5

# 54/74 FAMILIES OF COMPATIBLE TTL CIRCUITS

## PIN ASSIGNMENTS (TOP VIEWS)

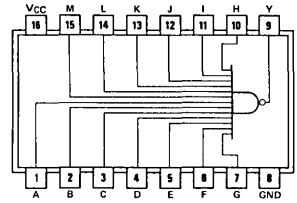
### 13-INPUT POSITIVE-NAND GATES

**133**

positive logic:

$$Y = \overline{ABCDEFGHIJKLM}$$

See page 6-2



SN54S133 (J, W) SN74S133 (J, N)

### 12-INPUT POSITIVE-NAND GATES WITH THREE-STATE OUTPUTS

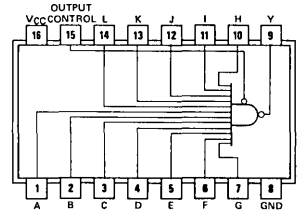
**134**

positive logic:

$$Y = \overline{ABCDEFGHIJKL}$$

Output is off (disabled) when output control is high.

See page 6-33



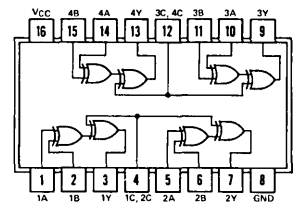
SN54S134 (J, W) SN74S134 (J, N)

### QUAD EXCLUSIVE-OR/NOR GATES

**135**

positive logic:  $Y = (A \oplus B) \oplus C = \overline{A} \overline{B} C + \overline{A} B \overline{C} + A \overline{B} \overline{C} + ABC$

See page 7-129



SN54S135 (J, W) SN74S135 (J, N)

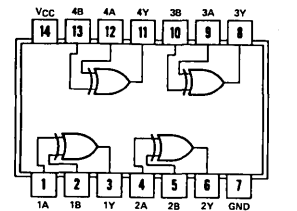
NC—No internal connection

### QUAD EXCLUSIVE-OR GATES WITH OPEN-COLLECTOR OUTPUTS

**136**

positive logic:  $Y = A \oplus B = \overline{A} \overline{B} + A B$

See page 7-131



SN54136 (J, W) SN74136 (J, N)  
SN54LS136 (J, W) SN74LS136 (J, N)

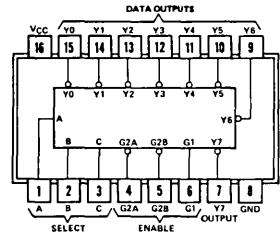
# 54/74 FAMILIES OF COMPATIBLE TTL CIRCUITS

## PIN ASSIGNMENTS (TOP VIEW)

3- TO 8-LINE DECODERS/DEMULTIPLEXERS

**138**

See page 7-134

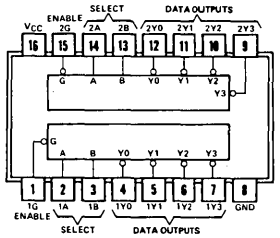


SN54LS138 (J, W) SN74LS138 (J, N)  
SN54S138 (J, W) SN74S138 (J, N)

DUAL 2- TO 4-LINE DECODERS/DEMULTIPLEXERS

**139**

See page 7-134



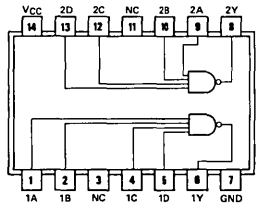
SN54LS139 (J, W) SN74LS139 (J, N)  
SN54S139 (J, W) SN74S139 (J, N)

DUAL 4-INPUT POSITIVE-NAND 50-OHM LINE DRIVERS

**140**

positive logic:  
 $Y = \overline{ABCD}$

See page 6-22



SN54S140 (J, W) SN74S140 (J, N)

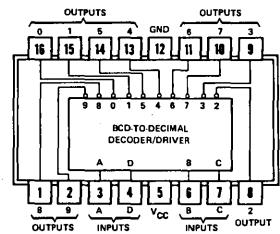
NC—No internal connection

BCD-TO-DECIMAL DECODER/DRIVER

**141**

DRIVES COLD-CATHODE  
INDICATOR TUBES

See page 7-138



SN74141 (J, N)

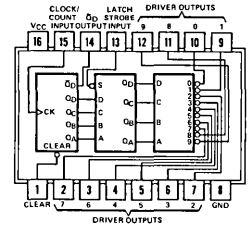


# 54/74 FAMILIES OF COMPATIBLE TTL CIRCUITS

## PIN ASSIGNMENTS (TOP VIEWS)

### COUNTER/LATCH/DECODER/DRIVER

- 142** DIVIDE-BY-10 COUNTER  
4-BIT LATCH  
4-BIT TO 7-SEGMENT DECODER  
NIXIE ‡ TUBE DRIVER



SN74142 (J, N)

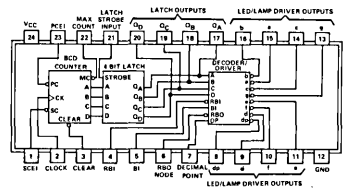
See page 7-140

‡Nixie is a registered trademark of the Burroughs Corp.

### COUNTERS/LATCHES/DECODERS/DRIVERS

- 143** 15 mA CONSTANT CURRENT  
1- TO 5-V OUTPUT RANGE

- 144** UP TO 15-V INDICATORS  
UP TO 25 mA  
OPEN-COLLECTOR OUTPUT

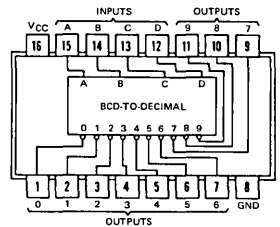


SN54143 (J, W) SN74143 (J, N)  
SN54144 (J, W) SN74144 (J, N)

See page 7-143

### BCD-TO-DECIMAL DECODERS/DRIVERS FOR LAMPS, RELAYS, MOS

- 145** BCD-TO-DECIMAL

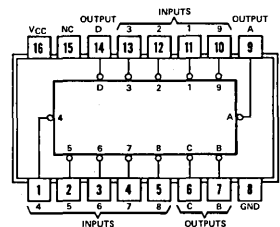


SN54145 (J, W) SN74145 (J, N)  
SN54LS145 (J, W) SN74LS145 (J, W)

See page 7-148

### 10-LINE DECIMAL TO 4-LINE BCD PRIORITY ENCODERS

- 147**



SN54147 (J, W) SN74147 (J, N)  
SN54LS147 (J, W) SN74LS147 (J, N)  
NC - No internal connection

See page 7-151

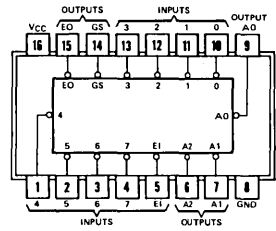
# 54/74 FAMILIES OF COMPATIBLE TTL CIRCUITS

## PIN ASSIGNMENTS (TOP VIEWS)

8-LINE-TO-3-LINE OCTAL PRIORITY ENCODERS

**148**

See page 7-151

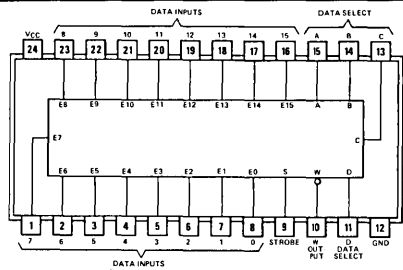


SN54148 (J, W) SN74148 (J, N)  
SN54LS148 (J, W) SN74LS148 (J, N)

1-OF-16 DATA SELECTORS/MULTIPLEXERS

**150**

See page 7-157

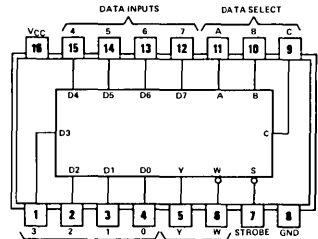


SN54150 (J, W) SN74150 (J, N)

1-OF-8 DATA SELECTORS/MULTIPLEXERS

**151**

See page 7-157

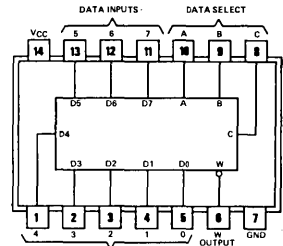


SN54151A (J, W) SN74151A (J, N)  
SN54LS151 (J, W) SN74LS151 (J, N)  
SN54S151 (J, W) SN74S151 (J, N)

1-OF-8 DATA SELECTORS/MULTIPLEXERS

**152**

See page 7-157



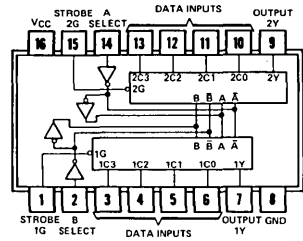
SN54152A (W)  
SN54LS152 (W)

# 54/74 FAMILIES OF COMPATIBLE TTL CIRCUITS

## PIN ASSIGNMENTS (TOP VIEW)

### DUAL 4-LINE TO 1-LINE DATA SELECTORS/MULTIPLEXERS

**153**

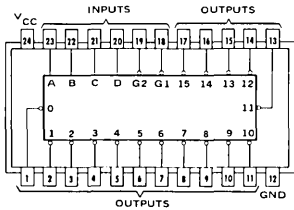


- SN54153 (J, W)      SN74153 (J, N)
- SN54L153 (J)      SN74L153 (J, N)
- SN54LS153 (J, W)      SN74LS153 (J, N)
- SN54S153 (J, W)      SN74S153 (J, N)

See page 7-165

### 4-LINE TO 16-LINE DECODERS/DEMULTIPLEXERS

**154**



- SN54154 (J, W)      SN74154 (J, N)
- SN54L154 (J)      SN74L154 (J, N)

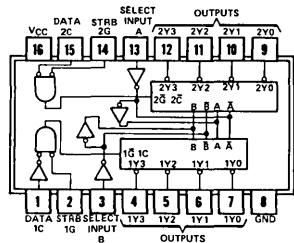
See page 7-171

### DECODERS/DEMULTIPLEXERS

- DUAL 2- TO 4-LINE DECODER
- DUAL 1- TO 4-LINE DEMULTIPLEXER
- 3- TO 8-LINE DECODER
- 1- TO 8-LINE DEMULTIPLEXER

**155**      TOTEM-POLE OUTPUTS

**156**      OPEN-COLLECTOR OUTPUTS



- SN54155 (J, W)      SN74155 (J, N)
- SN54LS155 (J, W)      SN74LS155 (J, N)
- SN54156 (J, W)      SN74156 (J, N)
- SN54LS156 (J, W)      SN74LS156 (J, N)

See page 7-175

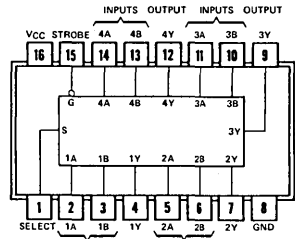
# 54/74 FAMILIES OF COMPATIBLE TTL CIRCUITS

## PIN ASSIGNMENTS (TOP VIEW)

### QUAD 2- TO 1-LINE DATA SELECTORS/MULTIPLEXERS

**157** NONINVERTED DATA OUTPUTS

**158** INVERTED DATA OUTPUTS

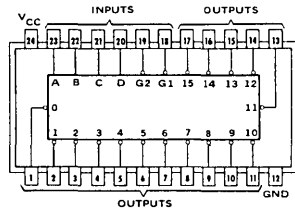


SN54157 (J, W)	SN74157 (J, N)
SN54L157 (J)	SN74L157 (J, N)
SN54LS157 (J, W)	SN74LS157 (J, N)
SN54S157 (J, W)	SN54S157 (J, N)
SN54LS158 (J, W)	SN74LS158 (J, N)
SN54S158 (J, W)	SN74S158 (J, N)

See page 7-181

### 4- TO 16-LINE DECODERS/DEMULTIPLEXERS

**159** OPEN-COLLECTOR OUTPUTS



SN54159 (J, W) SN74159 (J, N)

See page 7-188

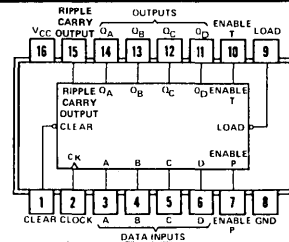
### SYNCHRONOUS 4-BIT COUNTERS

**160** DECADE, DIRECT CLEAR

**161** BINARY, DIRECT CLEAR

**162** DECADE, SYNCHRONOUS CLEAR

**163** BINARY, SYNCHRONOUS CLEAR



SN54160 (J, W)	SN74160 (J, N)
SN54LS160A (J, W)	SN74LS160A (J, N)
SN54161 (J, W)	SN74161 (J, N)
SN54LS161A (J, W)	SN74LS161A (J, N)
SN54162 (J, W)	SN74162 (J, N)
SN54LS162A (J, W)	SN74LS162A (J, N)
SN54S162 (J, W)	SN74S162 (J, N)
SN54163 (J, W)	SN74163 (J, N)
SN54LS163A (J, W)	SN74LS163A (J, N)
SN54S163 (J, W)	SN74S163 (J, N)

See page 7-190

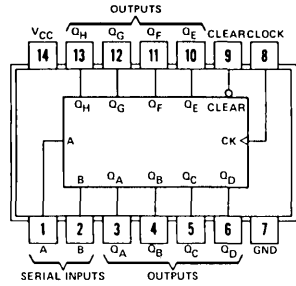
# 54/74 FAMILIES OF COMPATIBLE TTL CIRCUITS

## PIN ASSIGNMENTS (TOP VIEWS)

### 8-BIT PARALLEL OUTPUT SERIAL SHIFT REGISTERS

#### 164 ASYNCHRONOUS CLEAR

See page 7-206

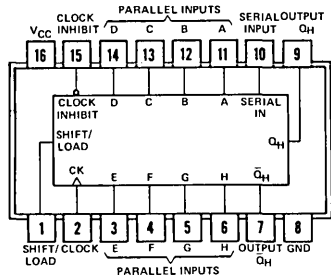


SN54164 (J, W)      SN74164 (J, N)  
 SN54L164 (J, T)    SN74L164 (J, N)  
 SN54LS164 (J, W)    SN74LS164 (J, N)

### PARALLEL-LOAD 8-BIT SHIFT REGISTERS WITH COMPLEMENTARY OUTPUTS

#### 165

See page 7-212

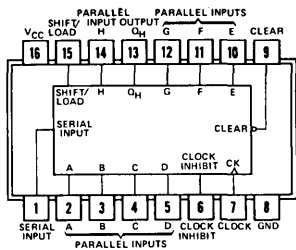


SN54165 (J, W)      SN74165 (J, N)  
 SN54LS165 (J, W)    SN74LS165 (J, N)

### 8-BIT SHIFT REGISTERS

#### 166 PARALLEL/SERIAL INPUT SERIAL OUTPUT

See page 7-217



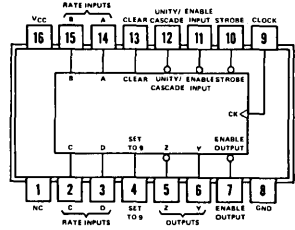
SN54166 (J, W)      SN74166 (J, N)  
 SN54LS166 (J, W)    SN74LS166 (J, N)

# 54/74 FAMILIES OF COMPATIBLE TTL CIRCUITS

## PIN ASSIGNMENTS (TOP VIEW)

### SYNCHRONOUS DECADE RATE MULTIPLIERS

**167**



SN54167 (J, W)      SN74167 (J, N)

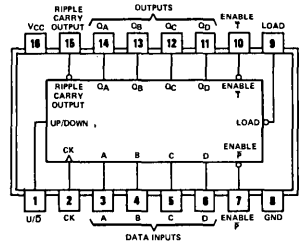
See page 7-222

NC — No internal connection

### 4-BIT UP/DOWN SYNCHRONOUS COUNTERS

**168**    DECADE

**169**    BINARY

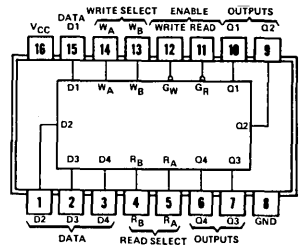


SN54S168 (J, W)      SN74S168 (J, N)  
 SN54LS169A (J, W)    SN74LS169A (J, N)  
 SN54S169 (J, W)      SN74S169 (J, N)

See page 7-226

### 4-BY-4 REGISTER FILES

**170**    SEPARATE READ/WRITE ADDRESSING  
 SIMULTANEOUS READ AND WRITE  
 OPEN-COLLECTOR OUTPUTS  
 EXPANDABLE TO 1024 WORDS



SN54170 (J, W)      SN74170 (J, N)  
 SN54LS170 (J, W)    SN74LS170 (J, N)

See page 7-237

# 54/74 FAMILIES OF COMPATIBLE TTL CIRCUITS

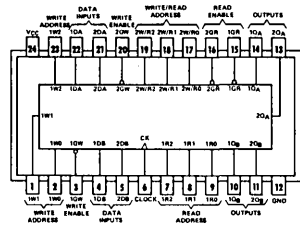
## PIN ASSIGNMENTS (TOP VIEWS)

### 16-BIT REGISTER FILE

**172**

INDEPENDENT READ/WRITE ADDRESSING  
SIMULTANEOUS READ/WRITE  
8-WORDS OF TWO BITS EACH  
3-STATE OUTPUTS

See page 7-245



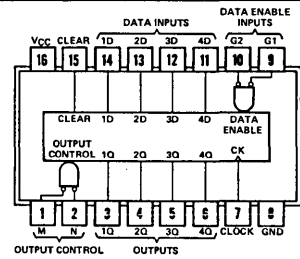
SN74172 (J, N)

### 4-BIT D-TYPE REGISTERS

**173**

3-STATE OUTPUTS

See page 7-249



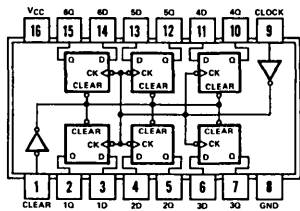
SN54173 (J, W) SN74173 (J, N)  
SN54LS173A (J, W) SN74LS173A (J, N)

### HEX D-TYPE FLIP-FLOPS<sup>1</sup>

**174**

SINGLE-RAIL OUTPUTS  
COMMON DIRECT CLEAR

See page 7-253



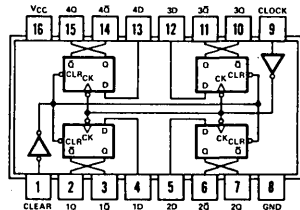
SN54174 (J, W) SN74174 (J, N)  
SN54LS174 (J, W) SN74LS174 (J, N)  
SN54S174 (J, W) SN74S174 (J, N)

### QUAD D-TYPE FLIP-FLOPS

**175**

COMPLEMENTARY OUTPUTS  
COMMON DIRECT CLEAR

See page 7-253



SN54175 (J, W) SN74175 (J, N)  
SN54LS175 (J, W) SN74LS175 (J, N)  
SN54S175 (J, W) SN74S175 (J, N)

# 54/74 FAMILIES OF COMPATIBLE TTL CIRCUITS

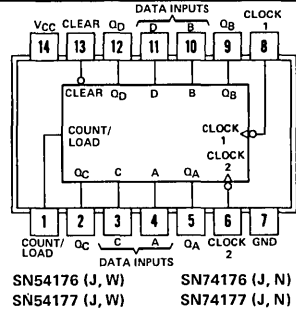
## PIN ASSIGNMENTS (TOP VIEWS)

### PRESETTABLE COUNTERS/LATCHES

**176** DECADE (BI-QUINARY)

**177** BINARY

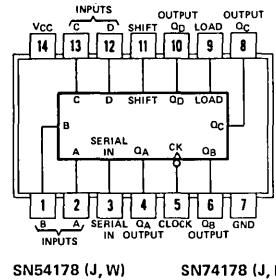
See page 7-259



### 4-BIT UNIVERSAL SHIFT REGISTERS

**178**

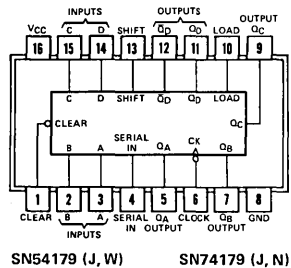
See page 7-265



### 4-BIT UNIVERSAL SHIFT REGISTERS

**179** DIRECT CLEAR  
Q<sub>D</sub> COMPLEMENTARY OUTPUTS

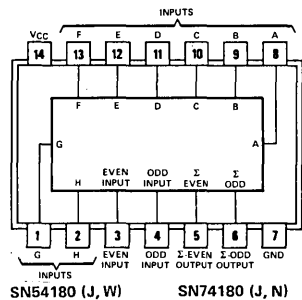
See page 7-265



### 9-BIT ODD/EVEN PARITY GENERATORS/CHECKERS

**180**

See page 7-269



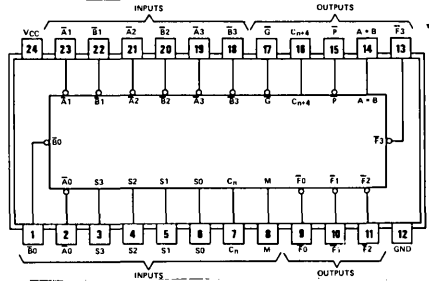


# 54/74 FAMILIES OF COMPATIBLE TTL CIRCUITS

## PIN ASSIGNMENTS (TOP VIEWS)

### ARITHMETIC LOGIC UNITS/FUNCTION GENERATORS

**181** 16 ARITHMETIC OPERATIONS  
16 LOGIC FUNCTIONS

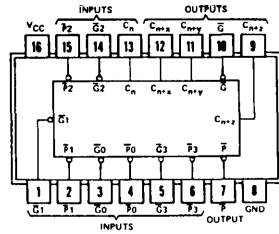


See page 7-271

SN54181 (J, W) SN74181 (J, N)  
SN54LS181 (J, W) SN74LS181 (J, N)  
SN54S181 (J, W) SN74S181 (J, N)

### LOOK-AHEAD CARRY GENERATORS

**182**

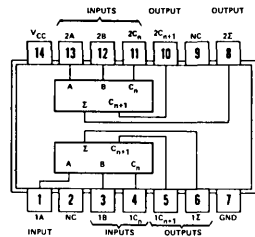


See page 7-282

SN54182 (J, W) SN74182 (J, N)  
SN54S182 (J, W) SN74S182 (J, N)

### DUAL CARRY-SAVE FULL ADDERS

**183**



See page 7-287

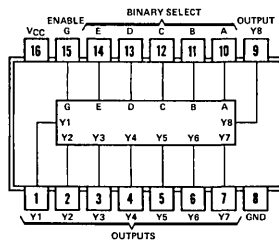
SN54LS183 (J, W) SN74LS183 (J, N)  
SN54H183 (J, W) SN74H183 (J, N)

### CODE CONVERTERS

CASCADEABLE TO N-BITS

**184** BCD-TO-BINARY

**185** BINARY-TO-BCD



See page 7-290

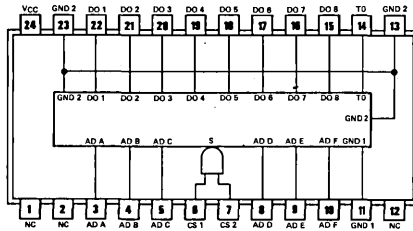
SN54184 (J, W) SN74184 (J, N)  
SN54185A (J, W) SN74185A (J, N)

# 54/74 FAMILIES OF COMPATIBLE TTL CIRCUITS

## PIN ASSIGNMENTS (TOP VIEWS)

### 512-BIT PROGRAMMABLE READ-ONLY MEMORIES

**186** 64 8-BIT WORDS  
OPEN-COLLECTOR OUTPUTS

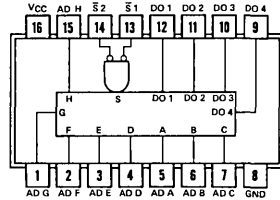


For more information contact the factory

SN54186 (J, W) SN74186 (J, N)  
NC - No internal connection

### 1024-BIT READ-ONLY MEMORIES

**187** 256 4-BIT WORDS  
OPEN-COLLECTOR OUTPUTS

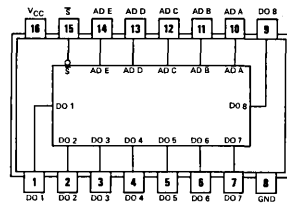


For more information contact the factory

SN54187 (J, W) SN74187 (J, N)

### 256-BIT PROGRAMMABLE READ-ONLY MEMORIES

**188** 32 8-BIT WORDS  
OPEN-COLLECTOR OUTPUTS

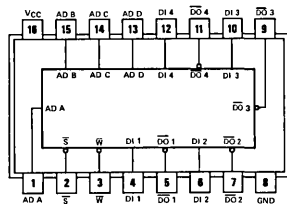


See Bipolar Microcomputer Components Data Book, second edition.

SN54S188 (J, W) SN74S188 (J, N)  
(Redesignated TBP18SA030)

### 64-BIT RANDOM-ACCESS MEMORIES

**189** 16 4-BIT WORDS  
THREE-STATE OUTPUTS



See Bipolar Microcomputer Components Data Book, second edition.

SN54S189 (J, W) SN74S189 (J, N)

5

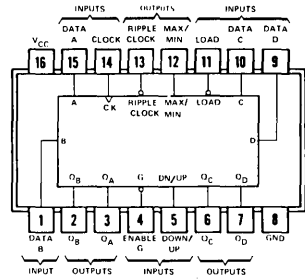
# 54/74 FAMILIES OF COMPATIBLE TTL CIRCUITS

## PIN ASSIGNMENTS (TOP VIEWS)

### SYNCHRONOUS UP/DOWN COUNTERS

- 190** BCD
- 191** BINARY

See page 7-296

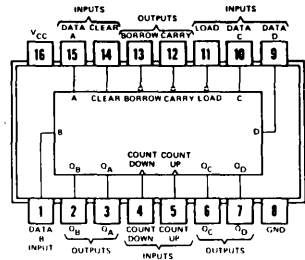


- SN54190 (J, W)
- SN54LS190 (J, W)
- SN54191 (J, W)
- SN54LS191 (J, W)
- SN74190 (J, N)
- SN74LS190 (J, N)
- SN74191 (J, N)
- SN74LS191 (J, N)

### SYNCHRONOUS UP/DOWN DUAL CLOCK COUNTERS

- 192** BCD WITH CLEAR
- 193** BINARY WITH CLEAR

See page 7-306

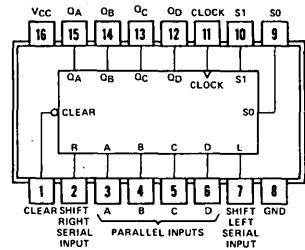


- SN54192 (J, W)
- SN54L192 (J)
- SN54LS192 (J, W)
- SN54193 (J, W)
- SN54L193 (J)
- SN54LS193 (J, W)
- SN74192 (J, N)
- SN74L192 (J, N)
- SN74LS192 (J, N)
- SN74193 (J, N)
- SN74L193 (J, N)
- SN74LS193 (J, N)

### 4-BIT BIDIRECTIONAL UNIVERSAL SHIFT REGISTERS

- 194**

See page 7-316



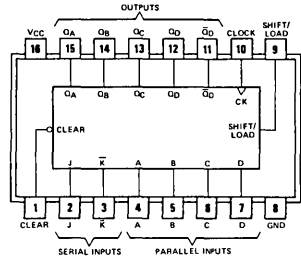
- SN54194 (J, W)
- SN54LS194A (J, W)
- SN54S194 (J, W)
- SN74194 (J, N)
- SN74LS194A (J, N)
- SN74S194 (J, N)

# 54/74 FAMILIES OF COMPATIBLE TTL CIRCUITS

## PIN ASSIGNMENTS (TOP VIEWS)

### 4-BIT PARALLEL-ACCESS SHIFT REGISTERS

**195**



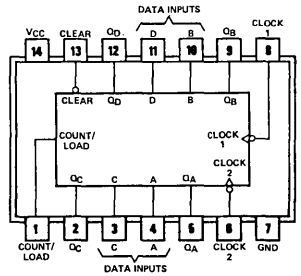
See page 7-324

SN54195 (J, W)      SN74195 (J, N)  
 SN54LS195A (J, W)      SN74LS195A (J, N)  
 SN54S195 (J, W)      SN74S195 (J, N)

### PRESETTABLE COUNTERS/LATCHES

**196**    DECADE/BI-QUINARY

**197**    BINARY

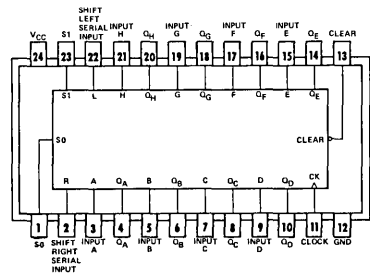


See page 7-331

SN54196 (J, W)      SN74196 (J, N)  
 SN54LS196 (J, W)      SN74LS196 (J, N)  
 SN54S196 (J, W)      SN74S196 (J, N)  
 SN54197 (J, W)      SN74197 (J, N)  
 SN54LS197 (J, W)      SN74LS197 (J, N)  
 SN54S197 (J, W)      SN74S197 (J, N)

### 8-BIT BIDIRECTIONAL UNIVERSAL SHIFT REGISTERS

**198**



See page 7-338

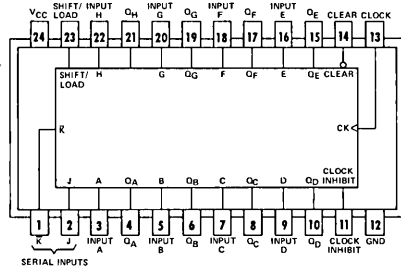
SN54198 (J, W)      SN74198 (J, N)

# 54/74 FAMILIES OF COMPATIBLE TTL CIRCUITS

## PIN ASSIGNMENTS (TOP VIEWS)

### 8-BIT BIDIRECTIONAL UNIVERSAL SHIFT REGISTERS

#### 199 J-K SERIAL INPUTS

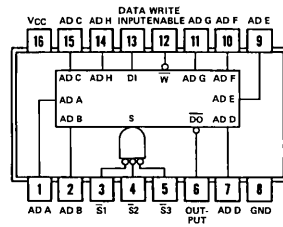


SN54199 (J, W)      SN74199 (J, N)

See page 7-338

### 256-BIT RANDOM-ACCESS MEMORIES

#### 201 256 1-BIT WORDS 3-STATE OUTPUT



SN54S201 (J, W)      SN74S201 (J, N)

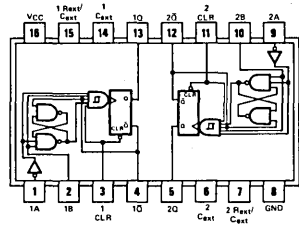
See Bipolar Microcomputer Components Data Book, second edition.

# 54/74 FAMILIES OF COMPATIBLE TTL CIRCUITS

## PIN ASSIGNMENTS (TOP VIEWS)

### DUAL MONOSTABLE MULTIVIBRATORS

**221**

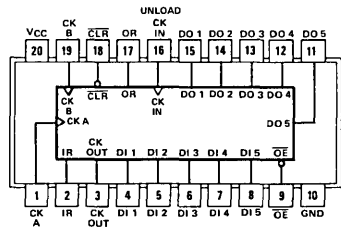


See page 6-68

SN54221 (J, W) SN74221 (J, N)  
SN54LS221 (J, W) SN74LS221 (J, N)

### ASYNCHRONOUS FIRST IN, FIRST OUT MEMORIES

**225** 16 5-BIT WORDS

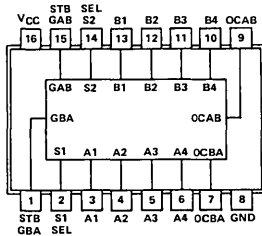


See Bipolar Microcomputer Components Data Book, second edition.

SN74S225 (J, N)

### 4-BIT PARALLEL LATCHED BUS TRANSCEIVERS

**226** 3-STATE OUTPUTS

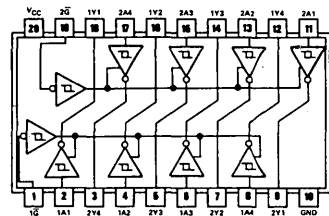


See page 7-345

SN54S226 (J, W) SN74S226 (J, N)

### OCTAL BUFFERS/LINE DRIVERS/LINE RECEIVERS

**240** INVERTED 3-STATE OUTPUTS



See page 6-83

SN54LS240 (J) SN74LS240 (J, N)  
SN54S240 (J) SN74S240 (J, N)

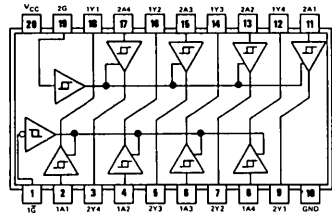
# 54/74 FAMILIES OF COMPATIBLE TTL CIRCUITS

## PIN ASSIGNMENTS (TOP VIEWS)

OCTAL BUFFERS/LINE DRIVERS/LINE RECEIVERS

**241** NONINVERTED 3-STATE OUTPUTS

See page 6-83

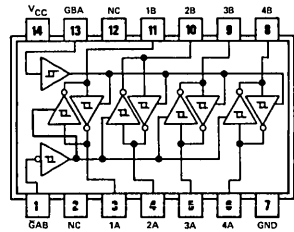


SN54LS241 (J) SN74LS241 (J, N)  
SN54S241 (J) SN74S241 (J, N)

QUADRUPLE BUS TRANSCEIVERS

**242** INVERTED 3-STATE OUTPUTS

See page 6-87

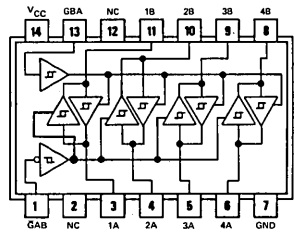


SN54LS242 (J, W) SN74LS242 (J, N)  
NC—No internal connection

QUADRUPLE BUS TRANSCEIVERS

**243** NONINVERTED 3-STATE OUTPUTS

See page 6-87

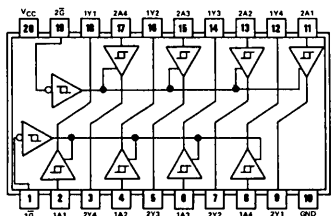


SN54LS243 (J, W) SN74LS243 (J, N)  
NC—No internal connection

OCTAL BUFFERS/LINE DRIVERS/LINE RECEIVERS

**244** NONINVERTED 3-STATE OUTPUTS

See page 6-83



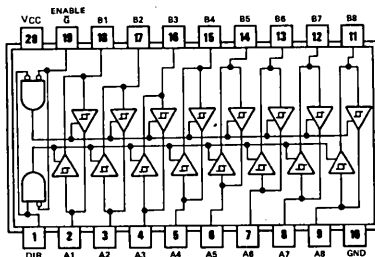
SN54LS244 (J) SN74LS244 (J, N)

# 54/74 FAMILIES OF COMPATIBLE TTL CIRCUITS

## PIN ASSIGNMENTS (TOP VIEWS)

### OCTAL BUS TRANCEIVERS

**245** NONINVERTED 3-STATE OUTPUTS



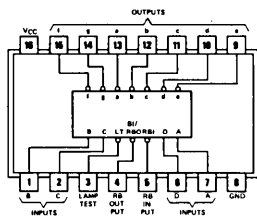
SN54LS245 (J) SN74LS245 (J, N)

See page 7-349

### BCD-TO-SEVEN-SEGMENT DECODERS/DRIVERS

**246** ACTIVE-LOW, OPEN-COLLECTOR, 30-V OUTPUTS

**247** ACTIVE-LOW, OPEN-COLLECTOR, 15-V OUTPUTS



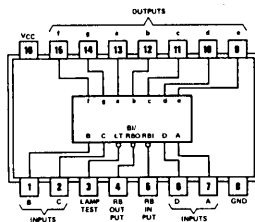
SN54246 (J, W) SN74246 (J, N)  
SN54247 (J, W) SN74247 (J, N)  
SN54LS247 (J, W) SN74LS247 (J, N)

See page 7-351

### BCD-TO-SEVEN-SEGMENT DECODERS/DRIVERS

**248** INTERNAL PULL-UP OUTPUTS

**249** OPEN-COLLECTOR OUTPUTS

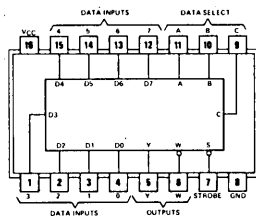


SN54248 (J, W) SN74248 (J, N)  
SN54LS248 (J, W) SN74LS248 (J, N)  
SN54249 (J, W) SN74249 (J, N)  
SN54LS249 (J, W) SN74LS249 (J, N)

See page 7-351

### DATA SELECTORS/MULTIPLEXERS

**251** TRUE AND INVERTED 3-STATE OUTPUTS



SN54251 (J, W) SN74251 (J, N)  
SN54LS251 (J, W) SN74LS251 (J, N)  
SN54S251 (J, W) SN74S251 (J, N)

See page 7-362



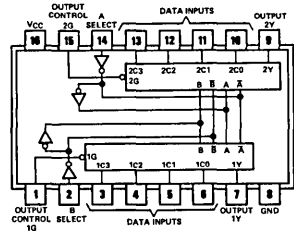
# 54/74 FAMILIES OF COMPATIBLE TTL CIRCUITS

## PIN ASSIGNMENTS (TOP VIEWS)

### DUAL DATA SELECTORS/MULTIPLEXERS

**253** 3-STATE OUTPUTS

See page 7-369

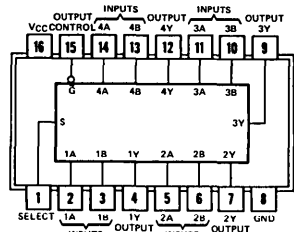


SN54LS253 (J, W) SN74LS253 (J, N)

### QUAD DATA SELECTORS/MULTIPLEXERS

**257** NONINVERTED 3-STATE OUTPUTS

See page 7-372

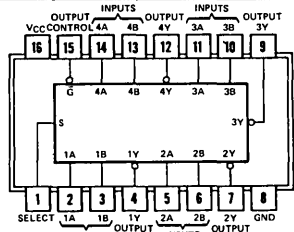


SN54LS257A (J, W) SN74LS257A (J, N)  
SN54S257 (J, W) SN74S257 (J, N)

### QUAD DATA SELECTORS/MULTIPLEXERS

**258** INVERTED 3-STATE OUTPUTS

See page 7-372

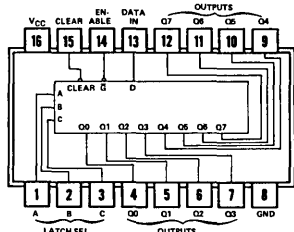


SN54LS258A (J, W) SN74LS258A (J, N)  
SN54S258 (J, W) SN74S258 (J, N)

### EIGHT-BIT ADDRESSABLE LATCHES

**259**

See page 7-376



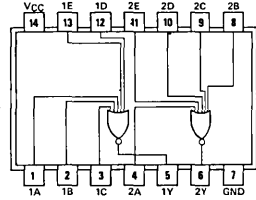
SN54259 (J, W) SN74259 (J, N)  
SN54LS259 (J, W) SN74LS259 (J, N)

# 54/74 FAMILIES OF COMPATIBLE TTL CIRCUITS

## PIN ASSIGNMENTS (TOP VIEWS)

DUAL 5-INPUT POSITIVE NOR GATES

**260**

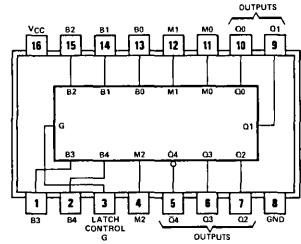


See page 6-8

SN54S260 (J, W) SN74S260 (J, N)

2-BIT BY 4-BIT PARALLEL BINARY MULTIPLIERS

**261**

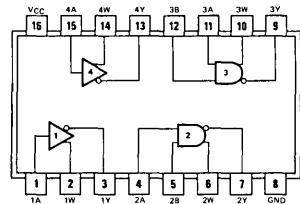


See page 7-380

SN54LS261 (J, W) SN74LS261 (J, N)

QUAD COMPLEMENTARY-OUTPUT ELEMENTS

**265**



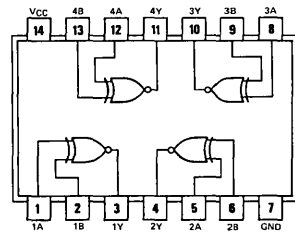
See page 6-89

SN54265 (J, W) SN74265 (J, N)

QUAD 2-INPUT EXCLUSIVE-NOR GATES WITH OPEN-COLLECTOR OUTPUTS

**266**

positive logic:  $Y = \overline{A \oplus B} = AB + \overline{A\overline{B}}$



See page 7-386

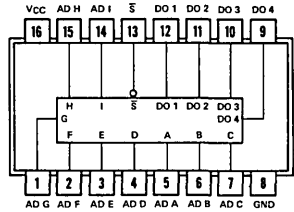
SN54LS266 (J, W) SN74LS266 (J, N)

# 54/74 FAMILIES OF COMPATIBLE TTL CIRCUITS

## PIN ASSIGNMENTS (TOP VIEWS)

### 2048-BIT READ-ONLY MEMORIES

**270** OPEN-COLLECTOR OUTPUTS  
512 4-BIT WORDS

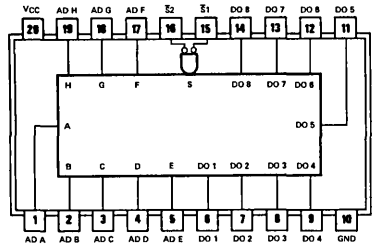


For more information contact the factory

SN54S270 (J) SN74S270 (J, N)

### 2048-BIT READ-ONLY MEMORIES

**271** OPEN-COLLECTOR OUTPUTS  
256 8-BIT WORDS

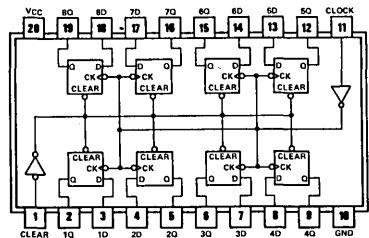


For more information contact the factory

SN54S271 (J) SN74S271 (J, N)

### OCTAL D-TYPE FLIP-FLOPS

**273** COMMON CLOCK  
SINGLE-RAIL OUTPUTS

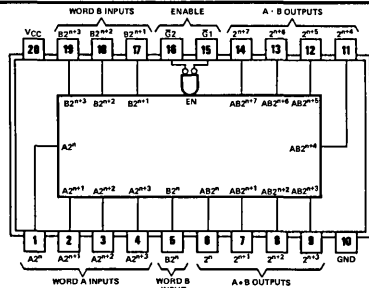


See page 7-388

SN54273 (J) SN74273 (J, N)  
SN54LS273 (J) SN74LS273 (J, N)

### 4-BIT BY 4-BIT BINARY MULTIPLIERS

**274** 3-STATE OUTPUTS  
8-BIT PRODUCTS  
SUB-MULTIPLE PRODUCTS



See page 7-391

SN54S274 (J) SN74S274 (J, N)

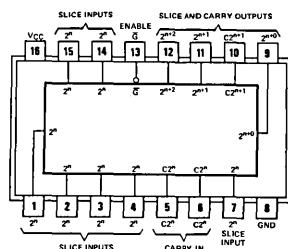
# 54/74 FAMILIES OF COMPATIBLE TTL CIRCUITS

## PIN ASSIGNMENTS (TOP VIEW)

### 7-BIT SLICE WALLACE TREES

**275** 3-STATE OUTPUTS

See page 7-391

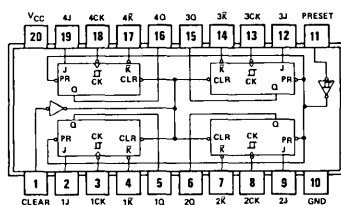


SN54LS275 (J) SN74LS275 (J, N)  
SN54S275 (J) SN74S275 (J, N)

### QUAD J-K FLIP-FLOPS

**276** SEPARATE CLOCKS  
EDGE-TRIGGERING  
COMMON DIRECT CLEAR AND PRESET

See page 7-401

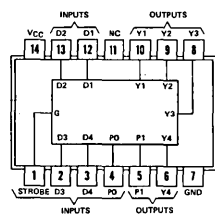


SN54276 (J) SN74276 (J, N)

### 4-BIT CASCADEABLE PRIORITY REGISTERS

**278** LATCHED DATA INPUTS  
PRIORITY OUTPUT GATING

See page 7-403



SN54278 (J, W) SN74278 (J, N)

NC — No internal connection

### QUAD S-R LATCHES

**279** DIODE-CLAMPED INPUTS  
TOTEM-POLE OUTPUTS

H = high level  
L = low level

$Q_0$  = the level of Q before the indicated input conditions were established.

\* This output level is pseudo stable; that is, it may not persist when the  $\bar{S}$  and  $\bar{R}$  inputs return to their inactive (high) level.

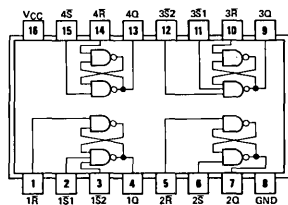
† For latches with double  $\bar{S}$  inputs:

H = both  $\bar{S}$  inputs high  
L = one or both  $\bar{S}$  inputs low

See page 6-60

FUNCTION TABLE

INPUTS		OUTPUT
$\bar{S}$	$\bar{R}$	Q
H	H	$Q_0$
L	H	H
H	L	L
L	L	H*



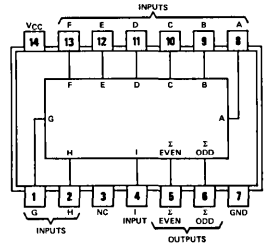
SN54279 (J, W) SN74279 (J, N)  
SN54LS279 (J, W) SN74LS279 (J, N)

# 54/74 FAMILIES OF COMPATIBLE TTL CIRCUITS

## PIN ASSIGNMENTS (TOP VIEWS)

9-BIT ODD/EVEN PARITY GENERATORS/CHECKERS

**280** N-BIT CASCADEABLE

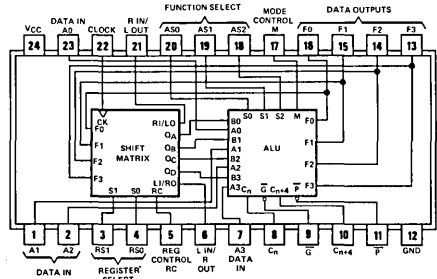


See page 7-406

SN54LS280 (J, W) SN74LS280 (J, N)  
SN54S280 (J, W) SN74S280 (J, N)

4-BIT PARALLEL BINARY ACCUMULATORS

**281** 15 ARITHMETIC/  
LOGIC-TYPE OPERATIONS  
LOGIC SHIFT (L OR R)  
EXPANDABLE TO N WORDS

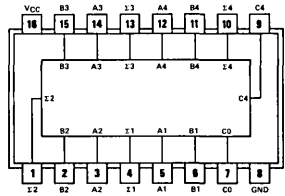


See page 7-410

SN54S281 (J, W) SN74S281 (J, N)

4-BIT BINARY FULL ADDERS

**283**



See page 7-415

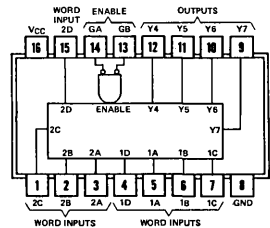
SN54283 (J, W) SN74283 (J, N)  
SN54LS283 (J, W) SN74LS283 (J, N)  
SN54S283 (J) SN74S283 (J, N)

4-BIT-BY-4-BIT PARALLEL BINARY MULTIPLIERS USED WITH '285

**284** EXPANDABLE FOR N-BIT-  
BY-N-BIT MULTIPLICATION

USE 'S274 FOR NEW DESIGNS

USE 'LS275/'S275 FOR LARGE MULTIPLIERS



See page 7-420

SN54284 (J, W) SN74284 (J, N)

# 54/74 FAMILIES OF COMPATIBLE TTL CIRCUITS

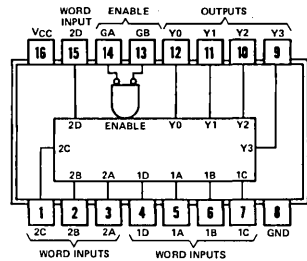
## PIN ASSIGNMENTS (TOP VIEWS)

### 4-BIT-BY-4-BIT PARALLEL BINARY MULTIPLIERS USED WITH '284

**285** EXPANDABLE FOR N-BIT-BY-N-BIT MULTIPLICATION

USE 'S274 FOR NEW DESIGNS

USE 'LS275/'S275 FOR LARGE MULTIPLIERS

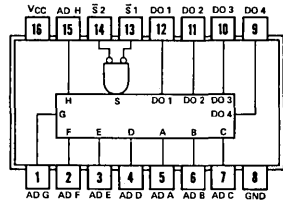


SN54285 (J, W) SN74285 (J, N)

See page 7-420

### 1024-BIT PROGRAMMABLE READ-ONLY MEMORIES

**287** 256 4-BIT WORDS  
3-STATE OUTPUTS

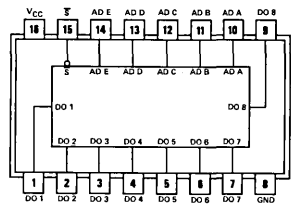


SN54S287 (J, W) SN74S287 (J, N)  
(Redesignated TBP14S10)

See Bipolar Microcomputer Components Data Book, second edition.

### 256-BIT PROGRAMMABLE READ-ONLY MEMORIES

**288** 32 8-BIT WORDS  
3-STATE OUTPUTS

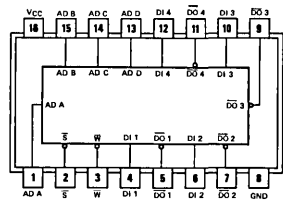


SN54288 (J, W) SN74S288 (J, N)  
(Redesignated TBP18S030)

See Bipolar Microcomputer Components Data Book, second edition.

### 64-BIT RANDOM-ACCESS MEMORIES

**289** 16 4-BIT WORDS  
OPEN-COLLECTOR OUTPUTS



SN54S289 (J, W) SN74S289 (J, N)

See Bipolar Microcomputer Components Data Book, second edition.

5

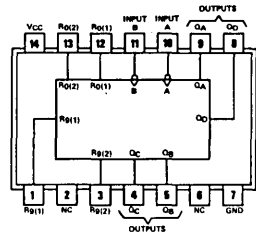
# 54/74 FAMILIES OF COMPATIBLE TTL CIRCUITS

## PIN ASSIGNMENTS (TOP VIEWS)

### DECADE COUNTERS

**290** DIVIDE-BY-TWO AND DIVIDE-BY-5

See page 7-423

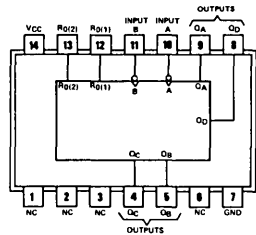


SN54290 (J, W) SN74290 (J, N)  
SN54LS290 (J, W) SN74LS290 (J, N)

### 4-BIT BINARY COUNTERS

**293** DIVIDE-BY-TWO AND DIVIDE-BY-EIGHT

See page 7-423

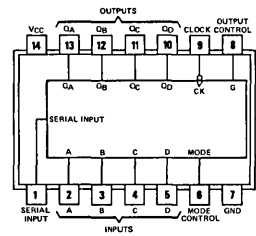


SN54293 (J, W) SN74293 (J, N)  
SN54LS293 (J, W) SN74LS293 (J, N)

### 4-BIT BIDIRECTIONAL UNIVERSAL SHIFT REGISTERS

**295**

See page 7-429

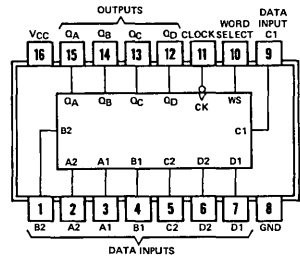


SN54LS295B (J, W) SN74LS295B (J, N)

### QUAD 2-INPUT MULTIPLEXERS WITH STORAGE

**298**

See page 7-432



SN54298 (J, W) SN74298 (J, N)  
SN54LS298 (J, W) SN74LS298 (J, N)

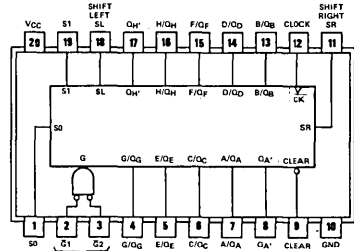
# 54/74 FAMILIES OF COMPATIBLE TTL CIRCUITS

## PIN ASSIGNMENTS (TOP VIEWS)

### 8-BIT BIDIRECTIONAL UNIVERSAL SHIFT/STORAGE REGISTERS

**299** 3-STATE OUTPUTS

See page 7-437

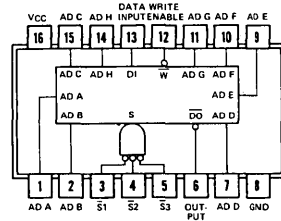


OUTPUT CONTROLS  
 SN54LS299 (J) SN74LS299 (J, N)  
 SN54S299 (J) SN74S299 (J, N)

### 256-BIT RANDOM ACCESS MEMORIES

**301** 256 1-BIT WORDS  
 OPEN-COLLECTOR OUTPUT

See Bipolar Microcomputer Components Data Book, second edition.

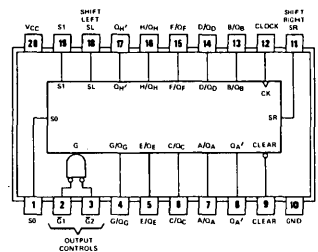


SN54S301 (J, W) SN74S301 (J, N)

### 8-BIT BIDIRECTIONAL UNIVERSAL SHIFT/STORAGE REGISTERS

**323** 3-STATE OUTPUTS

See page 7-443



OUTPUT CONTROLS  
 SN54LS323 (J) SN74LS323 (J, N)

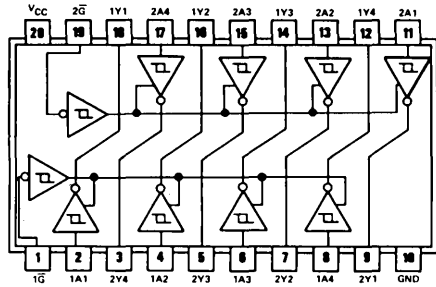


# 54/74 FAMILIES OF COMPATIBLE TTL CIRCUITS

## PIN ASSIGNMENTS (TOP VIEWS)

OCTAL BUFFERS/LINE DRIVERS

**340** 3-STATE INVERTED OUTPUTS

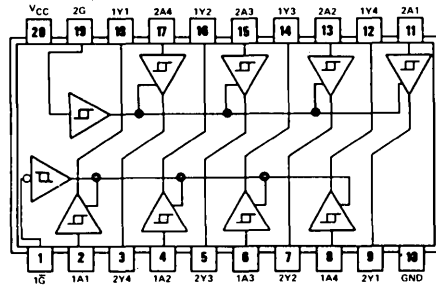


See page 7-445

SN74S340 (J, N)

OCTAL BUFFERS/LINE DRIVERS

**341** 3-STATE NONINVERTED OUTPUTS

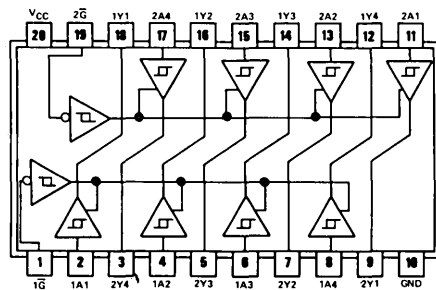


See page 7-445

SN74S341 (J, N)

OCTAL BUFFERS/LINE DRIVERS

**344** 3-STATE NONINVERTED OUTPUTS



See page 7-445

SN74S344 (J, N)

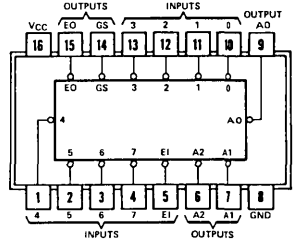
5

# 54/74 FAMILIES OF COMPATIBLE TTL CIRCUITS

## PIN ASSIGNMENTS (TOP VIEWS)

### 8-LINE TO 3-LINE PRIORITY ENCODERS

**348** 3-STATE OUTPUTS

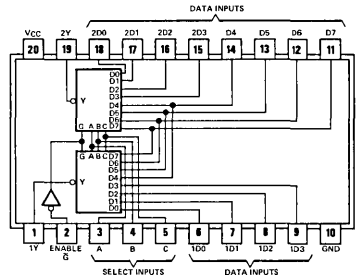


See page 7-448

SN54LS348 (J, W) SN74LS348 (J, N)

### DUAL 8-LINE TO 1-LINE DATA SELECTOR/MULTIPLEXER

**351** 3-STATE OUTPUTS  
4 COMMON DATA INPUTS

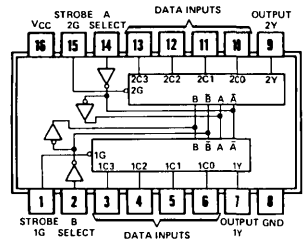


See page 7-451

SN74351 (N)

### DUAL 4-LINE TO 1-LINE DATA SELECTORS/MULTIPLEXERS

**352** INVERTING VERSION OF 'LS153

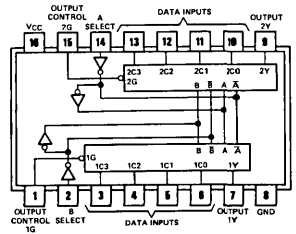


See page 7-454

SN54LS352 (J, W) SN74LS352 (J, N)

### DUAL 4-LINE TO 1-LINE DATA SELECTORS/MULTIPLEXERS

**353** 3-STATE OUTPUTS  
INVERTING VERSION OF 'LS253



See page 7-457

SN54LS353 (J, W) SN74LS353 (J, N)

TEXAS INSTRUMENTS  
INCORPORATED

POST OFFICE BOX 225012 • DALLAS, TEXAS 75265

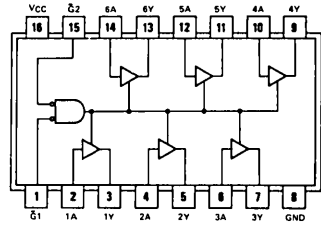
# 54/74 FAMILIES OF COMPATIBLE TTL CIRCUITS

## PIN ASSIGNMENTS (TOP VIEWS)

### HEX BUS DRIVERS

**365**

NONINVERTED 3-STATE OUTPUTS  
GATED ENABLE INPUTS



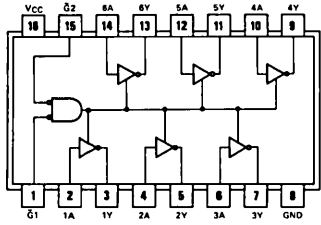
See page 6-36

SN54365A (J, W) SN74365A (J, N)  
SN54LS365A (J, W) SN74LS365A (J, N)

### HEX BUS DRIVERS

**366**

INVERTED 3-STATE OUTPUTS  
GATED ENABLE INPUTS



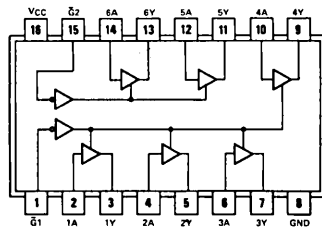
See page 6-36

SN54366A (J, W) SN74366A (J, N)  
SN54LS366A (J, W) SN74LS366A (J, N)

### HEX BUS DRIVERS

**367**

NONINVERTED 3-STATE OUTPUTS  
ORGANIZED TO FACILITATE  
HANDLING OF 4-BIT DATA



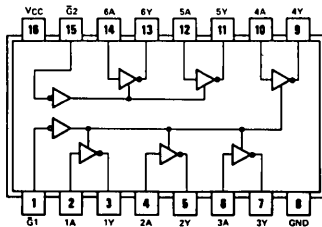
See page 6-36

SN54367A (J, W) SN74367A (J, N)  
SN54LS367A (J, W) SN74LS367A (J, N)

### HEX BUS DRIVERS

**368**

INVERTED 3-STATE OUTPUTS  
ORGANIZED TO FACILITATE  
HANDLING OF 4-BIT DATA



See page 6-36

SN54368A (J, W) SN74368A (J, N)  
SN54LS368A (J, W) SN74LS368A (J, N)

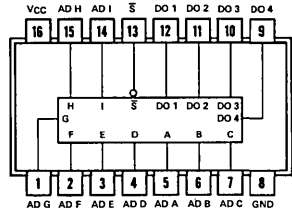
# 54/74 FAMILIES OF COMPATIBLE TTL CIRCUITS

## PIN ASSIGNMENTS (TOP VIEWS)

### 2048-BIT READ-ONLY MEMORIES

**370**

512 4-BIT WORDS  
3-STATE OUTPUTS



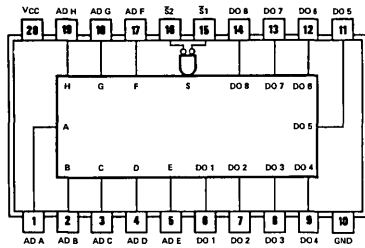
For more information contact the factory

SN54S370 (J) SN74S370 (J, N)

### 2048-BIT READ-ONLY MEMORIES

**371**

256 8-BIT WORDS  
3-STATE OUTPUTS



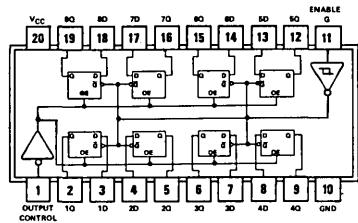
For more information contact the factory

SN54S371 (J) SN74S371 (J, N)

### OCTAL D-TYPE LATCHES

**373**

3-STATE OUTPUTS  
COMMON OUTPUT CONTROL  
COMMON ENABLE



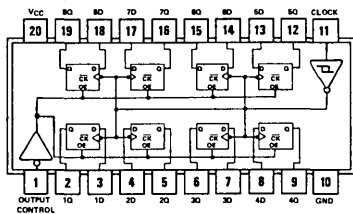
See page 7-471

SN54LS373 (J) SN74LS373 (J, N)  
SN54S373 (J) SN74S373 (J, N)

### OCTAL D-TYPE FLIP-FLOPS

**374**

3-STATE OUTPUTS  
COMMON OUTPUT CONTROL  
COMMON CLOCK



See page 7-471

SN54LS374 (J) SN74LS374 (J, N)  
SN54S374 (J) SN74S374 (J, N)

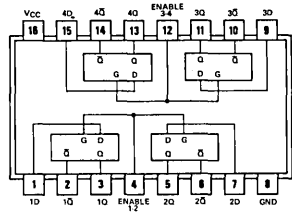
5

# 54/74 FAMILIES OF COMPATIBLE TTL CIRCUITS

## PIN ASSIGNMENTS (TOP VIEWS)

4-BIT BISTABLE LATCHES

**375**

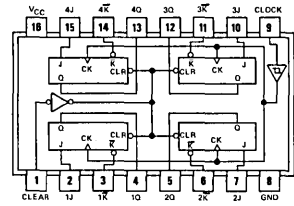


See page 7-478

SN54LS375 (J, W) SN74LS375 (J, N)

QUAD J-K̄ FLIP-FLOPS

**376** COMMON CLOCK  
COMMON CLEAR

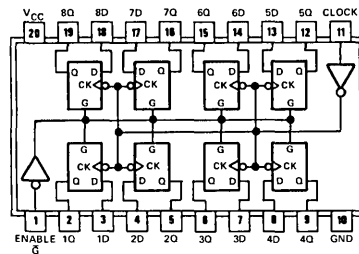


See page 7-479

SN54376 (J, W) SN74376 (J, N)

OCTAL D-TYPE FLIP-FLOPS

**377** SINGLE-RAIL OUTPUTS  
COMMON ENABLE  
COMMON CLOCK

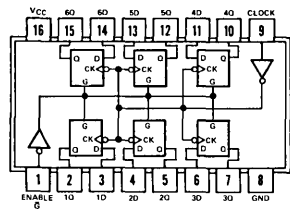


See page 7-481

SN54LS377 (J) SN74LS377 (J, N)

HEX D-TYPE FLIP-FLOPS

**378** SINGLE-RAIL OUTPUTS  
COMMON ENABLE  
COMMON CLOCK



See page 7-481

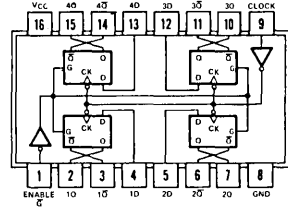
SN54LS378 (J, W) SN74LS378 (J, N)

# 54/74 FAMILIES OF COMPATIBLE TTL CIRCUITS

## PIN ASSIGNMENTS (TOP VIEWS)

### QUAD D-TYPE FLIP-FLOPS

**379** DOUBLE-RAIL OUTPUTS  
COMMON ENABLE  
COMMON CLOCK

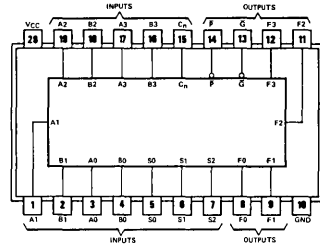


See page 7-481

SN54LS379 (J, W) SN74LS379 (J, N)

### ARITHMETIC LOGIC UNITS/FUNCTION GENERATORS

**381** 8 BINARY FUNCTIONS  
USE 'S182 FOR LOOK-AHEAD CARRY

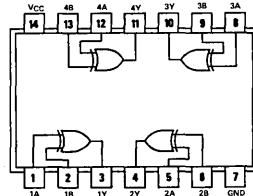


See page 7-484

SN54S381(J) SN74S381(J, N)

### QUAD 2-INPUT EXCLUSIVE-OR GATES

**386**  
POSITIVE LOGIC:  
 $Y = A \oplus B = \bar{A}B + A\bar{B}$

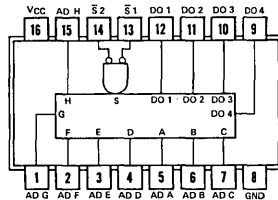


See page 7-487

SN54LS386 (J, W) SN74LS386 (J, N)

### 1024-BIT PROGRAMMABLE READ-ONLY MEMORIES

**387** 256 4-BIT WORDS  
OPEN-COLLECTOR OUTPUTS



See Bipolar Microcomputer Components Data Book, second edition.

SN54S387 (J, W) SN74S387 (J, N)  
(Redesignated TBP14SA10)

5

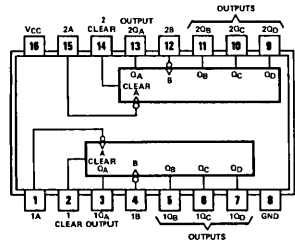
# 54/74 FAMILIES OF COMPATIBLE TTL CIRCUITS

## PIN ASSIGNMENTS (TOP VIEWS)

### DUAL DECADE COUNTERS

**390** BI-QUINARY OR BCD SEQUENCES

See page 7-489

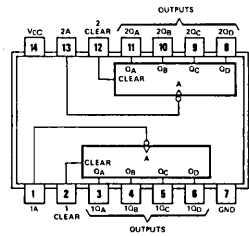


SN54390 (J, W) SN74390 (J, N)  
SN54LS390 (J, W) SN74LS390 (J, N)

### DUAL 4-BIT BINARY COUNTERS

**393**

See page 7-489

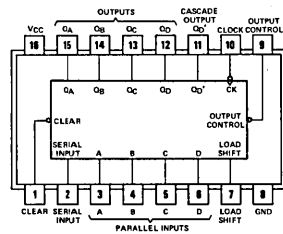


SN54393 (J, W) SN74393 (J, N)  
SN54LS393 (J, W) SN74LS393 (J, N)

### 4-BIT UNIVERSAL SHIFT REGISTERS

**395** 3-STATE OUTPUTS

See page 7-496

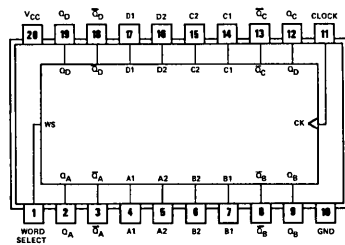


SN54LS395A (J, W) SN74LS395A (J, N)

### QUAD 2-INPUT MULTIPLEXERS WITH STORAGE

**398** DOUBLE-RAIL OUTPUTS

See page 7-499



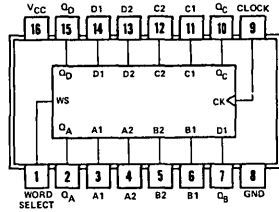
SN54LS398 (J) SN74LS398 (J, N)

# 54/74 FAMILIES OF COMPATIBLE TTL CIRCUITS

## PIN ASSIGNMENTS (TOP VIEWS)

### QUAD 2-INPUT MULTIPLEXERS WITH STORAGE

**399** SINGLE-RAIL OUTPUTS

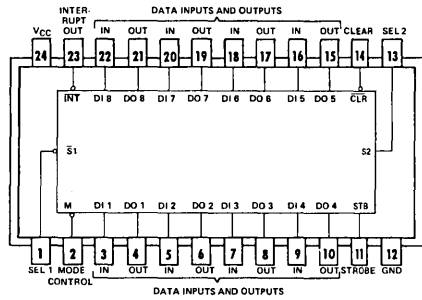


See page 7-499

SN54LS399 (J,W) SN74LS399 (J,N)

### MULTI-MODE BUFFERED 8-BIT LATCHES

**412** 3-STATE OUTPUTS  
DIRECT CLEAR



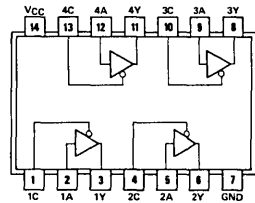
See page 7-502

SN54S412 (J) SN74S412 (J,N)

### QUAD GATES

**425** 3-STATE OUTPUTS  
ACTIVE-LOW ENABLING

positive logic:  $Y = A$



See page 6-33

SN54425 (J,W) SN74425 (J,N)

5



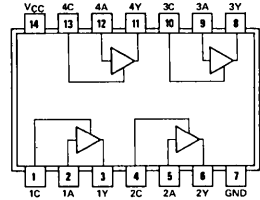
# 54/74 FAMILIES OF COMPATIBLE TTL CIRCUITS

## PIN ASSIGNMENTS (TOP VIEWS)

### QUAD GATES

**426** 3-STATE OUTPUTS  
ACTIVE-HIGH ENABLING

positive logic:  $Y = A$



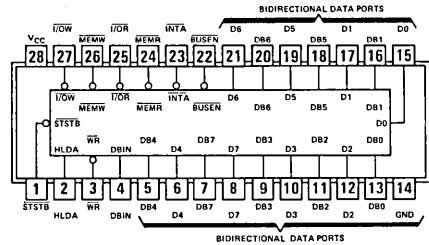
See page 6-33

SN54426 (J, W) SN74426 (J, N)

### SYSTEM CONTROLLER FOR 8080A

**428** BIDIRECTIONAL DATA PORTS

**438** BIDIRECTIONAL DATA PORTS



See page 7-514

SN74S428 (N)  
SN74S438 (N)

### QUAD TRIDIRECTIONAL BUS TRANSCEIVERS

**440** OPEN-COLLECTOR NONINVERTED OUTPUTS

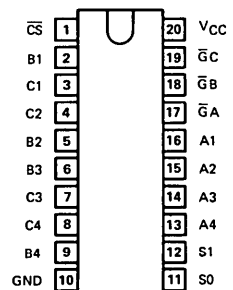
**441** OPEN-COLLECTOR INVERTED OUTPUTS

**442** 3-STATE NONINVERTED OUTPUTS

**443** 3-STATE INVERTED OUTPUTS

**444** 3-STATE INVERTED AND NONINVERTED OUTPUTS

**448** OPEN-COLLECTOR INVERTED AND NONINVERTED OUTPUTS



See page 7-507

SN54LS440 (J) SN74LS440 (J, N)  
SN54LS441 (J) SN74LS441 (J, N)  
SN54LS442 (J) SN74LS442 (J, N)  
SN54LS443 (J) SN74LS443 (J, N)  
SN54LS444 (J) SN74LS444 (J, N)  
SN54LS448 (J) SN74LS448 (J, N)

# 54/74 FAMILIES OF COMPATIBLE TTL CIRCUITS

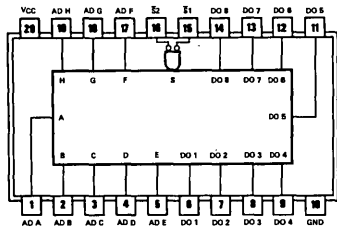
## PIN ASSIGNMENTS (TOP VIEWS)

### PROGRAMMABLE READ-ONLY MEMORIES

256 8-BIT WORDS

**470** OPEN-COLLECTOR OUTPUTS

**471** 3-STATE OUTPUTS



SN54S470 (J) SN74S470 (J, N)  
(Redesignated TBP18SA22)

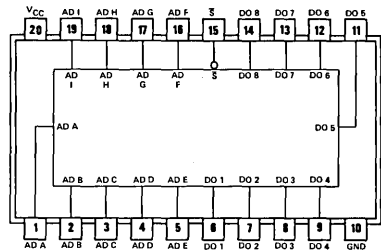
SN54S471 (J) SN74S471 (J, N)  
(Redesignated TBP18S22)

See Bipolar Microcomputer Components Data Book, second edition.

### PROGRAMMABLE READ-ONLY MEMORIES

**472** 3-STATE OUTPUTS

**473** OPEN-COLLECTOR OUTPUTS



SN54S472 (J) SN74S472 (J, N)  
(Redesignated TBP18S42)

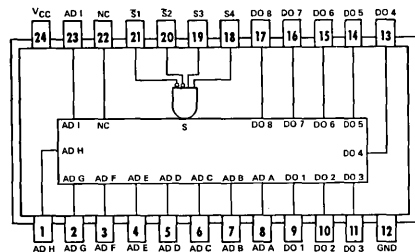
SN54S473 (J) SN74S473 (J, N)  
(Redesignated TBP18SA42)

See Bipolar Microcomputer Components Data Book, second edition.

### PROGRAMMABLE READ-ONLY MEMORIES

**474** 3-STATE OUTPUTS

**475** OPEN-COLLECTOR OUTPUTS



SN54S474 (J) SN74S474 (J, N)  
(Redesignated TBP18S46)

SN54S475 (J) SN74S475 (J, N)  
(Redesignated TBP18SA46)  
NC — No internal connection

See Bipolar Microcomputer Components Data Book, second edition.

TEXAS INSTRUMENTS  
INCORPORATED

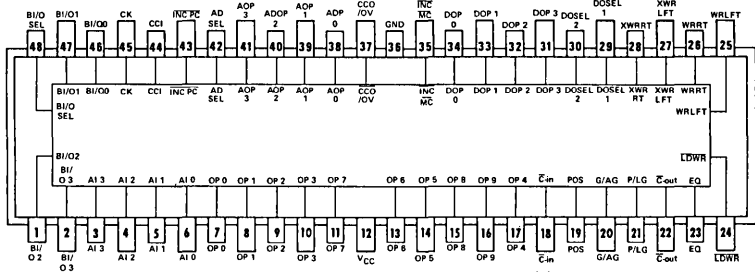
POST OFFICE BOX 225012 • DALLAS, TEXAS 75265

# 54/74 FAMILIES OF COMPATIBLE TTL CIRCUITS

## PIN ASSIGNMENTS (TOP VIEWS)

### 4-BIT SLICE PROCESSOR ELEMENTS

**481**



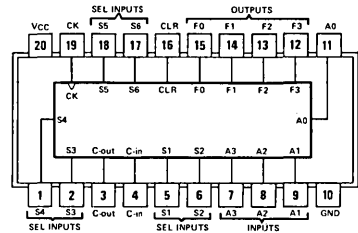
SN74LS481 (J)  
SN74S481 (J)

See Bipolar Microcomputer Components Data Book, second edition.

### 4-BIT-SLICE EXPANDABLE CONTROL ELEMENTS

**482**

CASCADABLE TO N-BITS

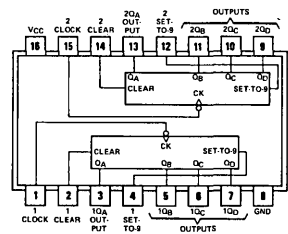


SN54S482 (J) SN74S482 (J, N)

See Bipolar Microcomputer Components Data Book, second edition.

### DUAL DECADE COUNTERS

**490**



SN54490 (J, W) SN74490 (J, N)  
SN54LS490 (J, W) SN74LS490 (J, N)

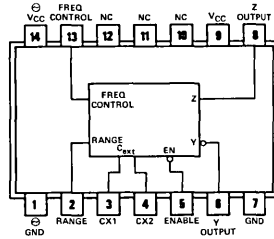
See page 7-520

# 54/74 FAMILIES OF COMPATIBLE TTL CIRCUITS

## PIN ASSIGNMENTS (TOP VIEWS)

### VOLTAGE-CONTROLLED OSCILLATORS

**624** TWO-PHASE OUTPUTS  
ENABLE CONTROL  
RANGE CONTROL

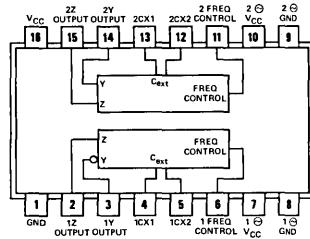


See page 7-460

SN54LS624 (J, W) SN74LS624 (J, N)

### DUAL VOLTAGE-CONTROLLED OSCILLATORS

**625** TWO-PHASE OUTPUTS

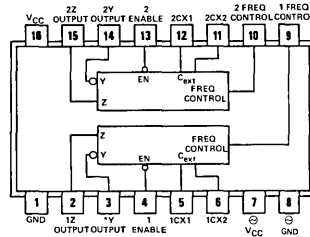


See page 7-460

SN54LS625 (J, W) SN74LS625 (J, N)

### DUAL VOLTAGE-CONTROLLED OSCILLATORS

**626** TWO-PHASE OUTPUTS  
ENABLE CONTROL



See page 7-460

SN54LS626 (J, W) SN74LS626 (J, N)

TEXAS INSTRUMENTS  
INCORPORATED

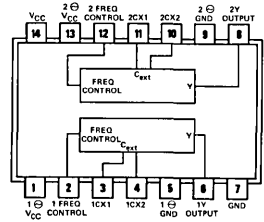
POST OFFICE BOX 225012 • DALLAS, TEXAS 75265

# 54/74 FAMILIES OF COMPATIBLE TTL CIRCUITS

## PIN ASSIGNMENTS (TOP VIEWS)

### DUAL VOLTAGE-CONTROLLED OSCILLATORS

**627**

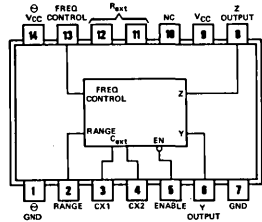


SN54LS627 (J, W) SN74LS627 (J, N)

See page 7-460

### VOLTAGE-CONTROLLED OSCILLATORS

**628** TWO-PHASE OUTPUTS  
ENABLE CONTROL  
RANGE CONTROL  
EXTERNAL TEMPERATURE COMPENSATION

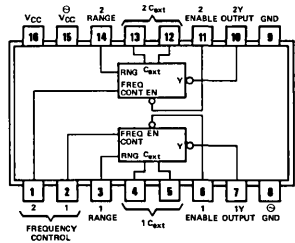


SN54LS628 (J, W) SN74LS628 (J, N)

See page 7-460

### DUAL VOLTAGE-CONTROLLED OSCILLATORS

**629** ENABLE CONTROL  
RANGE CONTROL



SN54LS629 (J, W) SN74LS629 (J, N)

See page 7-460

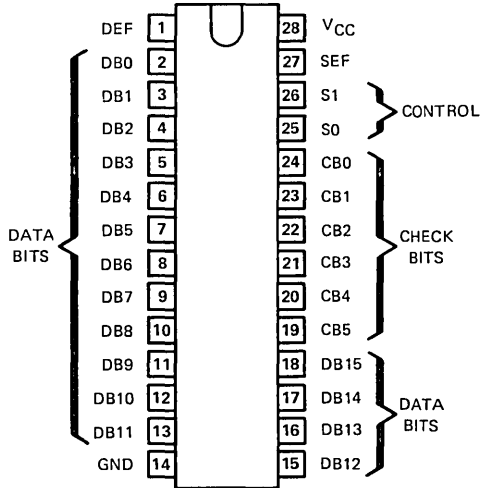
# 54/74 FAMILIES OF COMPATIBLE TTL CIRCUITS

## PIN ASSIGNMENTS (TOP VIEWS)

### 16-BIT ERROR DETECTION/CORRECTION CIRCUITS

**630** 3-STATE OUTPUTS

**631** OPEN-COLLECTOR OUTPUTS

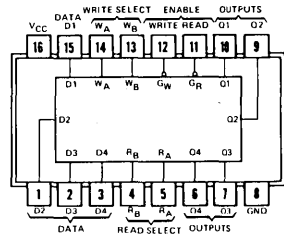


SN54LS630 (J) SN74LS630 (N)  
SN54LS631 (J) SN74LS631 (N)

See page 7-465

### 4-BY-4 REGISTER FILES

**670** 3-STATE OUTPUTS  
SIMULTANEOUS READ/WRITE  
EXPANDABLE TO 1024 WORDS



SN54LS670 (J, W) SN74LS670 (J, N)

See page 7-526



# **54/74 Family SSI Circuits**



recommended operating conditions

	54 FAMILY	SERIES 54			SERIES 54H			SERIES 54L			SERIES 54LS			SERIES 54S			UNIT
	74 FAMILY	SERIES 74			SERIES 74H			SERIES 74L			SERIES 74LS			SERIES 74S			
		'00, '04, '10, '20, '30			'H00, 'H04, 'H10, 'H20, 'H30			'L00, 'L04, 'L10, 'L20, 'L30			'LS00, 'LS04, 'LS10, 'LS20, 'LS30			'S00, 'S04, 'S10, 'S20, 'S30, 'S133			
		MIN	NOM	MAX	MIN	NOM	MAX	MIN	NOM	MAX	MIN	NOM	MAX	MIN	NOM	MAX	
Supply voltage, V <sub>CC</sub>	54 Family	4.5	5	5.5	4.5	5	5.5	4.5	5	5.5	4.5	5	5.5	4.5	5	5.5	V
	74 Family	4.75	5	5.25	4.75	5	5.25	4.75	5	5.25	4.75	5	5.25	4.75	5	5.25	
High-level output current, I <sub>OH</sub>	54 Family	-400			-500			-100			-400			-1000			μA
	74 Family	-400			-500			-200			-400			-1000			
Low-level output current, I <sub>OL</sub>	54 Family	16			20			2			4			20			mA
	74 Family	16			20			3.6			8			20			
Operating free-air temperature, T <sub>A</sub>	54 Family	-55	125	-55	125	-55	125	-55	125	-55	125	-55	125	-55	125	°C	
	74 Family	0	70	0	70	0	70	0	70	0	70	0	70	0	70		

electrical characteristics over recommended operating free-air temperature range (unless otherwise noted)

PARAMETER	TEST FIGURE	TEST CONDITIONS†	SERIES 54	SERIES 54H		SERIES 54L		SERIES 54LS		SERIES 54S		UNIT		
			SERIES 74	SERIES 74H		SERIES 74L		SERIES 74LS		SERIES 74S				
			'00, '04, '10, '20, '30	'H00, 'H04, 'H10, 'H20, 'H30		'L00, 'L04, 'L10, 'L20, 'L30		'LS00, 'LS04, 'LS10, 'LS20, 'LS30		'S00, 'S04, 'S10, 'S20, 'S30, 'S133				
		MIN	TYP‡	MAX	MIN	TYP‡	MAX	MIN	TYP‡	MAX	MIN	TYP‡	MAX	
V <sub>IH</sub> High-level input voltage	1, 2		2		2		2		2		2	V		
V <sub>IL</sub> Low-level input voltage	1, 2			0.8		0.8		0.7		0.7		0.8	V	
V <sub>IK</sub> Input clamp voltage	3	V <sub>CC</sub> = MIN, I <sub>I</sub> = §			-1.5		-1.5			-1.5		-1.2	V	
V <sub>OH</sub> High-level output voltage	1	V <sub>CC</sub> = MIN, V <sub>IL</sub> = V <sub>IL</sub> max, I <sub>OH</sub> = MAX	54 Family	2.4	3.4	2.4	3.5	2.4	3.3	2.5	3.4	2.5	3.4	V
			74 Family	2.4	3.4	2.4	3.5	2.4	3.2	2.7	3.4	2.7	3.4	
V <sub>OL</sub> Low-level output voltage	2	V <sub>CC</sub> = MIN, V <sub>IH</sub> = 2 V, I <sub>OL</sub> = 4 mA	54 Family	0.2	0.4	0.2	0.4	0.15	0.3	0.25	0.4	0.5	V	
			74 Family	0.2	0.4	0.2	0.4	0.2	0.4	0.25	0.5	0.5		
			Series 74LS							0.4				
I <sub>I</sub> Input current at maximum input voltage	4	V <sub>CC</sub> = MAX	V <sub>I</sub> = 5.5 V	1		1		0.1				1	mA	
			V <sub>I</sub> = 7 V					0.1						
I <sub>IH</sub> High-level input current	4	V <sub>CC</sub> = MAX	V <sub>IH</sub> = 2.4 V	40		50		10					μA	
			V <sub>IH</sub> = 2.7 V							20		50		
I <sub>IL</sub> Low-level input current	5	V <sub>CC</sub> = MAX	V <sub>IL</sub> = 0.3 V					-0.18					mA	
			V <sub>IL</sub> = 0.4 V	-1.6		-2				-0.4				
			V <sub>IL</sub> = 0.5 V									-2		
I <sub>OS</sub> Short-circuit output current‡	6	V <sub>CC</sub> = MAX	54 Family	-20	-55	-40	-100	-3	-15	-20	-100	-40	-100	mA
			74 Family	-18	-55	-40	-100	-3	-15	-20	-100	-40	-100	
I <sub>CC</sub> Supply current	7	V <sub>CC</sub> = MAX											See table on next page	mA

† For conditions shown as MIN or MAX, use the appropriate value specified under recommended operating conditions.

‡ All typical values are at V<sub>CC</sub> = 5 V, T<sub>A</sub> = 25°C.

§ I<sub>I</sub> = -12 mA for SN54/SN74, -8 mA for SN54H/SN74H, and -18 mA for SN54LS/SN74LS and SN54S/SN74S.

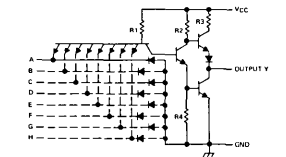
◆ Not more than one output should be shorted at a time, and for SN54H/SN74H, SN54LS/SN74LS, and SN54S/SN74S, duration of short-circuit should not exceed 1 second.

## supply current†

TYPE	I <sub>CCH</sub> (mA) Total with outputs high		I <sub>CCL</sub> (mA) Total with outputs low		I <sub>CC</sub> (mA) Average per gate (50% duty cycle)
	TYP	MAX	TYP	MAX	TYP
'00	4	8	12	22	2
'04	6	12	18	33	2
'10	3	6	9	16.5	2
'20	2	4	6	11	2
'30	1	2	3	6	2
'H00	10	16.8	26	40	4.5
'H04	16	26	40	58	4.5
'H10	7.5	12.6	19.5	30	4.5
'H20	5	8.4	13	20	4.5
'H30	2.5	4.2	6.5	10	4.5
'L00	0.44	0.8	1.16	2.04	0.20
'L04	0.66	1.2	1.74	3.06	0.20
'L10	0.33	0.6	0.87	1.53	0.20
'L20	0.22	0.4	0.58	1.02	0.20
SN54L30	0.11	0.33	0.29	0.51	0.20
SN74L30	0.11	0.2	0.29	0.51	0.20
'LS00	0.8	1.6	2.4	4.4	0.4
'LS04	1.2	2.4	3.6	6.6	0.4
'LS10	0.6	1.2	1.8	3.3	0.4
'LS20	0.4	0.8	1.2	2.2	0.4
'LS30	0.35	0.5	0.6	1.1	0.48
'S00	10	16	20	36	3.75
'S04	15	24	30	54	3.75
'S10	7.5	12	15	27	3.75
'S20	5	8	10	18	3.75
'S30	3	5	5.5	10	4.25
'S133	3	5	5.5	10	4.25

† Maximum values of I<sub>CC</sub> are over the recommended operating ranges of V<sub>CC</sub> and T<sub>A</sub>; typical values are at V<sub>CC</sub> = 5 V, T<sub>A</sub> = 25° C.

## schematics (each gate)

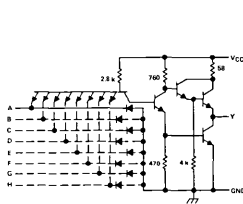


CIRCUIT	R1	R2	R3	R4
'00, '04, '10, '20, '30	4 k	1.6 k	130	1 k
'L00, 'L04, 'L10, 'L20, 'L30	40 k	20 k	500	12 k

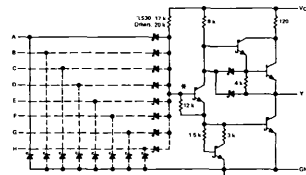
'00, '04, '10, '20, '30

'L00, 'L04, 'L10, 'L20, 'L30, CIRCUITS

Input clamp diodes not on SN54L/SN74L circuits.



'H00, 'H04, 'H10, 'H20, 'H30 CIRCUITS



'LS00, 'LS04, 'LS10, 'LS20, 'LS30 CIRCUITS

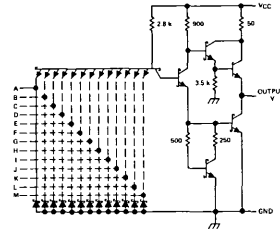
\*The 12-kΩ resistor is not on 'LS30.

#Resistor values shown are nominal and in ohms.

switching characteristics at V<sub>CC</sub> = 5 V, T<sub>A</sub> = 25° C

TYPE	TEST CONDITIONS#	t <sub>PLH</sub> (ns) Propagation delay time, low-to-high-level output			t <sub>PHL</sub> (ns) Propagation delay time, high-to-low-level output		
		MIN	TYP	MAX	MIN	TYP	MAX
'00, '10	C <sub>L</sub> = 15 pF, R <sub>L</sub> = 400 Ω	11	22		7	15	
'04, '20		12	22		8	15	
'30		13	22		8	15	
'H00	C <sub>L</sub> = 25 pF, R <sub>L</sub> = 280 Ω	5.9	10		6.2	10	
'H04		6	10		6.5	10	
'H10		5.9	10		6.3	10	
'H20		6	10		7	10	
'H30		6.8	10		8.9	12	
'L00, 'L04, 'L10, 'L20	C <sub>L</sub> = 50 pF, R <sub>L</sub> = 4 kΩ	35	60		31	60	
'L30		35	60		70	100	
'LS00, 'LS04 'LS10, 'LS20		C <sub>L</sub> = 15 pF, R <sub>L</sub> = 2 kΩ	9	15		10	15
'LS30	8		15		13	20	
'S00, 'S04	C <sub>L</sub> = 15 pF, R <sub>L</sub> = 280 Ω	3	4.5		3	5	
'S10, 'S20	C <sub>L</sub> = 50 pF, R <sub>L</sub> = 280 Ω	4.5			5		
'S30, 'S133	C <sub>L</sub> = 15 pF, R <sub>L</sub> = 280 Ω	4	6		4.5	7	
	C <sub>L</sub> = 50 pF, R <sub>L</sub> = 280 Ω	5.5			6.5		

#Load circuits and voltage waveforms are shown on pages 3-10 and 3-11.



'S00, 'S04, 'S10, 'S20, 'S30, 'S133 CIRCUITS

POSITIVE-NAND GATES AND INVERTERS WITH TOTEM-POLE OUTPUTS

**recommended operating conditions**

	54 FAMILY 74 FAMILY	SERIES 54 SERIES 74			SERIES 54H SERIES 74H			SERIES 54L SERIES 74L			SERIES 54LS SERIES 74LS			SERIES 54S SERIES 74S			UNIT	
		'01, '03, '05, '12, '22			'H01, 'H05, 'H22			'L01, 'L03			'LS01, 'LS03, 'LS05, 'LS12, 'LS22			'S03, 'S05, 'S22				
		MIN	NOM	MAX	MIN	NOM	MAX	MIN	NOM	MAX	MIN	NOM	MAX	MIN	NOM	MAX		
Supply voltage, V <sub>CC</sub>	54 Family 74 Family	4.5	5	5.5	4.5	5	5.5	4.5	5	5.5	4.5	5	5.5	4.5	5	5.5	V	
High-level output voltage, V <sub>OH</sub>		5.5			5.5			5.5			5.5			5.5			V	
Low-level output current, I <sub>OL</sub>	54 Family 74 Family	16			20			2			4			20			mA	
Operating free-air temperature, T <sub>A</sub>	54 Family 74 Family	-55			125			-55			125			-55			125	°C
		0			70			0			70			0			70	

**electrical characteristics over recommended operating free-air temperature range (unless otherwise noted)**

PARAMETER	TEST FIGURE	TEST CONDITIONS†	SERIES 54 SERIES 74			SERIES 54H SERIES 74H			SERIES 54L SERIES 74L			SERIES 54LS SERIES 74LS			SERIES 54S SERIES 74S			UNIT	
			'01, '03, '05, '12, '22			'H01, 'H05, 'H22			'L01, 'L03			'LS01, 'LS03, 'LS05, 'LS12, 'LS22			'S03, 'S05, 'S22				
			MIN	TYP‡	MAX	MIN	TYP‡	MAX	MIN	TYP‡	MAX	MIN	TYP‡	MAX	MIN	TYP‡	MAX		
V <sub>IH</sub> High-level input voltage	1, 2		2			2			2			2			2			V	
V <sub>IL</sub> Low-level input voltage	1, 2		54 Family 74 Family			0.8			0.8			0.6			0.7			0.8	V
V <sub>IK</sub> Input clamp voltage	3	V <sub>CC</sub> = MIN, I <sub>I</sub> = §	-1.5			-1.5						-1.5			-1.2			V	
I <sub>OH</sub> High-level output current	1	V <sub>CC</sub> = MIN, V <sub>IL</sub> = V <sub>IL</sub> max, V <sub>OH</sub> = 5.5 V	250			250			50			100			250			µA	
V <sub>OL</sub> Low-level output voltage	2	V <sub>CC</sub> = MIN, V <sub>IH</sub> = 2 V	I <sub>OL</sub> = MAX I <sub>OL</sub> = 4 mA			54 Family 74 Family Series 74LS			0.2 0.4 0.2 0.4			0.15 0.3 0.2 0.4			0.25 0.4 0.35 0.5			0.5 0.5	V
I <sub>I</sub> Input current at maximum input voltage	4	V <sub>CC</sub> = MAX	V <sub>I</sub> = 5.5 V V <sub>I</sub> = 7 V			1 1			0.1			0.1			1			mA	
I <sub>IH</sub> High-level input current	4	V <sub>CC</sub> = MAX	V <sub>IH</sub> = 2.4 V V <sub>IH</sub> = 2.7 V			40			50			10			20			50	µA
I <sub>IL</sub> Low-level input current	5	V <sub>CC</sub> = MAX	V <sub>IL</sub> = 0.3 V V <sub>IL</sub> = 0.4 V V <sub>IL</sub> = 0.5 V			-1.6			-2			-0.18			-0.4			-2	mA
I <sub>CC</sub> Supply current	7	V <sub>CC</sub> = MAX	See table on next page															mA	

† For conditions shown as MIN or MAX, use the appropriate value specified under recommended operating conditions.

‡ All typical values are at V<sub>CC</sub> = 5 V, T<sub>A</sub> = 25°C.

§ I<sub>I</sub> = -12 mA for SN54H'/SN74H', -8 mA for SN54L'/SN74L', and -18 mA for SN54S'/SN74S'.

supply current<sup>†</sup>

TYPE	I <sub>CCH</sub> (mA)		I <sub>CCL</sub> (mA)		I <sub>CC</sub> (mA)
	Total with outputs high		Total with outputs low		Average per Gate (50% duty cycle)
	TYP	MAX	TYP	MAX	TYP
'01	4	8	12	22	2
'03	4	8	12	22	2
'05	6	12	18	33	2
'12	3	6	9	16.5	2
'22	2	4	6	11	2
'H01	10	16.8	26	40	4.1
'H05	16	26	40	58	4.67
'H22	5	8.4	13	20	4.1
'L01	0.44	0.8	1.16	2.04	0.20
'L03	0.44	0.8	1.16	2.04	0.20
'LS01	0.8	1.6	2.4	4.4	0.4
'LS03	0.8	1.6	2.4	4.4	0.4
'LS05	1.2	2.4	3.6	6.6	0.4
'LS12	0.7	1.4	1.8	3.3	0.42
'LS22	0.4	0.8	1.2	2.2	0.4
'S03	6	13.2	20	36	3.25
'S05	9	19.8	30	54	3.25
'S22	3	6.6	10	18	3.25

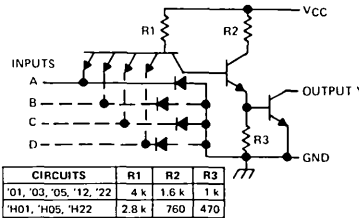
<sup>†</sup> Maximum values of I<sub>CC</sub> are over the recommended operating ranges of V<sub>CC</sub> and T<sub>A</sub>; typical values are at V<sub>CC</sub> = 5 V, T<sub>A</sub> = 25°C.

switching characteristics at V<sub>CC</sub> = 5 V, T<sub>A</sub> = 25°C

TYPE	TEST CONDITIONS#	t <sub>PLH</sub> (ns)			t <sub>PHL</sub> (ns)		
		Propagation delay time, low-to-high-level output			Propagation delay time, high-to-low-level output		
		MIN	TYP	MAX	MIN	TYP	MAX
'01, '03	C <sub>L</sub> = 15 pF, R <sub>L</sub> = 4 kΩ for t <sub>PLH</sub> , 400 Ω for t <sub>PHL</sub>	35	45		8	15	
'05		40	55		8	15	
'12, '22		35	45		8	15	
'H01, 'H05, 'H22	C <sub>L</sub> = 25 pF, R <sub>L</sub> = 280 Ω	10	15		7.5	12	
'L01, 'L03	C <sub>L</sub> = 50 pF, R <sub>L</sub> = 4 kΩ	60	90		33	60	
'LS01, 'LS03, 'LS05, 'LS12, 'LS22	C <sub>L</sub> = 15 pF, R <sub>L</sub> = 2 kΩ	17	32		15	28	
'S03, 'S05, 'S22	C <sub>L</sub> = 15 pF, R <sub>L</sub> = 280 Ω	2	5	7.5	2	4.5	7
	C <sub>L</sub> = 50 pF, R <sub>L</sub> = 280 Ω			7.5		7	

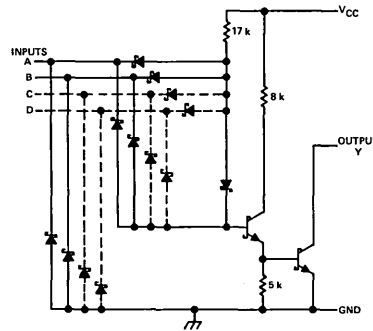
#Load circuits and voltage waveforms are shown on pages 3-10 and 3-11.

## schematics (each gate)

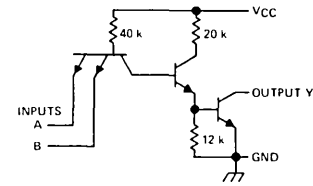


CIRCUITS	R1	R2	R3
'01, '03, '05, '12, '22	4 k	1.6 k	1 k
'H01, 'H05, 'H22	2.8 k	760	470

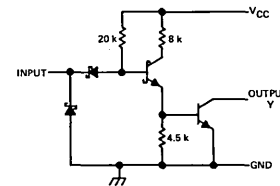
'01, '03, '05, '12, '22, 'H01, 'H05, 'H22 CIRCUITS



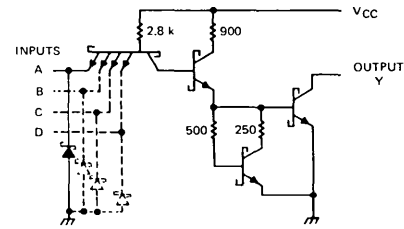
'LS01, 'LS03, 'LS12, 'LS22 CIRCUITS



'L01, 'L03 CIRCUITS



'LS05 CIRCUITS



'S03, 'S05, 'S22 CIRCUITS

Resistor values shown are nominal and in ohms.

POSITIVE-NAND GATES AND INVERTERS  
WITH OPEN-COLLECTOR OUTPUTS

TEXAS INSTRUMENTS  
INCORPORATED

POST OFFICE BOX 225012 • DALLAS, TEXAS 75265

# OPEN-COLLECTOR OUTPUT APPLICATION DATA

## APPLICATION DATA

### combined fan-out and wire-AND capabilities

The open-collector TTL gate, when supplied with a proper load resistor ( $R_L$ ), may be paralleled with other similar TTL gates to perform the wire-AND function, and simultaneously, will drive from one to nine standard loads of its own series. When no other open-collector gates are paralleled, this gate may be used to drive ten loads. For any of these conditions an appropriate load resistor value must be determined for the desired circuit configuration. A maximum resistor value must be determined which will ensure that sufficient load current (to TTL loads) and off current (through paralleled outputs) will be available while the output is high. A minimum resistor value must be determined which will ensure that current through this resistor and sink current from the TTL loads will not cause the output voltage to rise above the low level even if only one of the paralleled outputs is sinking all the currents.

In both conditions (low and high level) the value of  $R_L$  is determined by:

$$R_L = \frac{V_{RL}}{I_{RL}}$$

where  $V_{RL}$  is the voltage drop in volts, and  $I_{RL}$  is the current in amperes.

### high-level (off-state) circuit calculations (see figure A)

The allowable voltage drop across the load resistor ( $V_{RL}$ ) is the difference between  $V_{CC}$  applied and the  $V_{OH}$  level required at the load:

$$V_{RL} = V_{CC} - V_{OH \text{ min}}$$

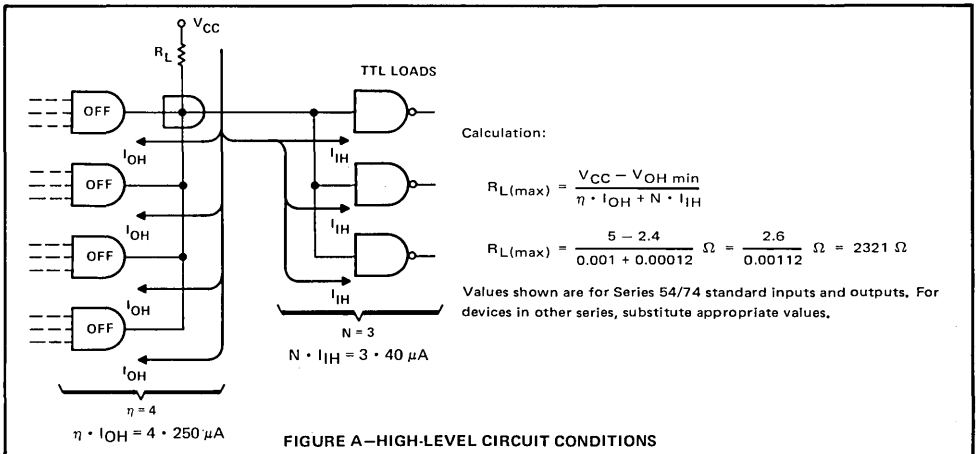
The total current through the load resistor ( $I_{RL}$ ) is the sum of the load currents ( $I_{IH}$ ) and off-state reverse currents ( $I_{OH}$ ) through each of the wire-AND-connected outputs:

$$I_{RL} = \eta \cdot I_{OH} + N \cdot I_{IH} \text{ to TTL loads}$$

Therefore, calculations for the maximum value of  $R_L$  would be:

$$R_{L(\text{max})} = \frac{V_{CC} - V_{OH \text{ min}}}{\eta \cdot I_{OH} + N \cdot I_{IH}}$$

where  $\eta$  = number of gates wire-AND-connected, and  $N$  = number of standard loads.



# OPEN-COLLECTOR OUTPUT APPLICATION DATA

## APPLICATION DATA

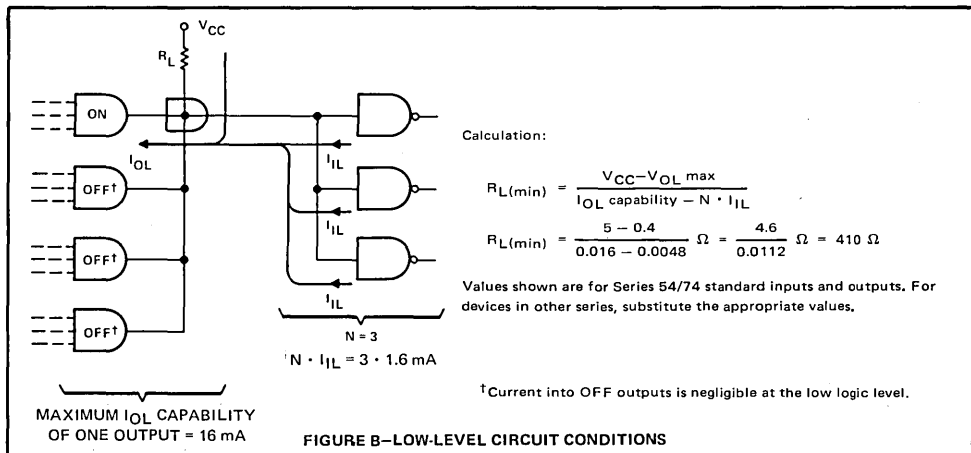
### low-level (on-state) circuit calculations (see figure B)

The current through the resistor must be limited to the maximum sink current of one output transistor. Note that if several output transistors are wire-AND connected, the current through  $R_L$  may be shared by those paralleled transistors. However, unless it can be absolutely guaranteed that more than one transistor will be on during low-level periods, the current must be limited to the recommended maximum  $I_{OL}$ , the maximum current which will ensure that the low-level output voltage,  $V_{OL}$ , will be below  $V_{OL\ max}$ .

Also, fan-out must be considered. Part of  $I_{OL}$  will be supplied from the inputs which are being driven. This reduces the amount of current which can be allowed through  $R_L$ .

Therefore, the equation used to determine the minimum value of  $R_L$  would be:

$$R_{L(\min)} = \frac{V_{CC} - V_{OL\ max}}{I_{OL\ capability} - N \cdot I_{IL}}$$



recommended operating conditions

	54 FAMILY 74 FAMILY	SERIES 54 SERIES 74						SERIES 54L SERIES 74L			SERIES 54LS SERIES 74LS			SERIES 54S SERIES 74S			UNIT	
		'02			'25, '27			'L02			'LS02, 'LS27			'S02, 'S260				
		MIN	NOM	MAX	MIN	NOM	MAX	MIN	NOM	MAX	MIN	NOM	MAX	MIN	NOM	MAX		
Supply voltage, V <sub>CC</sub>	54 Family 74 Family	4.5	5	5.5	4.5	5	5.5	4.5	5	5.5	4.5	5	5.5	4.5	5	5.5	V	
High-level output current, I <sub>OH</sub>	54 Family 74 Family	-400			-800			-100			-400			-1000			μA	
Low-level output current, I <sub>OL</sub>	54 Family 74 Family	16			16			2			4			20			mA	
Operating free-air temperature, T <sub>A</sub>	54 Family 74 Family	-55		125		-55		125		-55		125		-55		125		°C

electrical characteristics over recommended operating free-air temperature range (unless otherwise noted)

PARAMETER	TEST FIGURE	TEST CONDITIONS†	SERIES 54 SERIES 74			SERIES 54L SERIES 74L			SERIES 54LS SERIES 74LS			SERIES 54S SERIES 74S			UNIT															
			'02, '25, '27			'L02			'LS02, 'LS27			'S02, 'S260																		
			MIN	TYP‡	MAX	MIN	TYP‡	MAX	MIN	TYP‡	MAX	MIN	TYP‡	MAX																
V <sub>IH</sub> High-level input voltage	1, 2		2			2			2			2			V															
V <sub>IL</sub> Low-level input voltage	1, 2		54 Family 74 Family			0.8 0.8			0.7 0.7			0.7 0.8			V															
V <sub>IK</sub> Input clamp voltage	3	V <sub>CC</sub> = MIN, I <sub>I</sub> = §	-1.5						-1.5			-1.2			V															
V <sub>OH</sub> High-level output voltage	1	V <sub>CC</sub> = MIN, V <sub>IL</sub> = V <sub>IL</sub> max, I <sub>OH</sub> = MAX	54 Family 74 Family			2.4 3.4 2.4 3.4			2.4 3.3 2.4 3.2			2.5 3.4 2.7 3.4			V															
V <sub>OL</sub> Low-level output voltage	2	V <sub>CC</sub> = MIN, V <sub>IH</sub> = 2 V I <sub>OL</sub> = MAX I <sub>OL</sub> = 4 mA	54 Family 74 Family Series 74LS			0.2 0.4 0.2 0.4 1			0.15 0.3 0.2 0.4 0.1			0.25 0.4 0.35 0.5 0.1			V															
I <sub>I</sub> Input current at maximum input voltage	4	V <sub>CC</sub> = MAX	V <sub>I</sub> = 5.5 V V <sub>I</sub> = 7 V						0.1 0.1			1 1			mA															
I <sub>IH</sub> High-level input current	4	V <sub>CC</sub> = MAX	Data inputs Strobe of '25			V <sub>IH</sub> = 2.4 V			40 160			10 10			μA															
I <sub>IL</sub> Low-level input current			All inputs			V <sub>IH</sub> = 2.7 V			20			50																		
I <sub>IL</sub> Low-level input current	5	V <sub>CC</sub> = MAX	All inputs			V <sub>IL</sub> = 0.3 V			-0.18						mA															
I <sub>OS</sub> Short-circuit output current*			Data inputs Strobe of '25			V <sub>IL</sub> = 0.4 V			-1.6 -6.4			-0.4																		
I <sub>CC</sub> Supply current			All inputs			V <sub>IL</sub> = 0.5 V			-2																					
I <sub>OS</sub> Short-circuit output current*	6	V <sub>CC</sub> = MAX	54 Family 74 Family			-20 -18			-55 -55			-3 -3			-15 -15			-20 -20			-100 -100			-40 -40			-100 -100			mA
I <sub>CC</sub> Supply current	7	V <sub>CC</sub> = MAX	See table on next page												mA															

† For conditions shown as MIN or MAX, use the appropriate value specified under recommended operating conditions.

‡ All typical values are at V<sub>CC</sub> = 5 V, T<sub>A</sub> = 25°C.

§ I<sub>I</sub> = -12 mA for SN54/SN74\* and -18 mA for SN54LS/SN74LS\* and SN54S/SN74S\*.

\* Not more than one output should be shorted at a time, and for SN54LS/SN74LS\* and SN54S/SN74S\*, duration of output short-circuit should not exceed one second.

supply current<sup>†</sup>

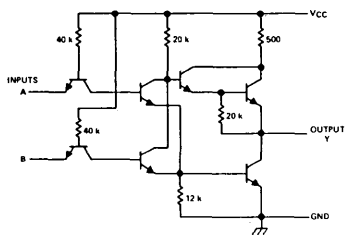
TYPE	I <sub>CCH</sub> (mA)		I <sub>CCL</sub> (mA)		I <sub>CC</sub> (mA)
	Total with outputs high		Total with outputs low		Average per gate (50% duty cycle)
	TYP	MAX	TYP	MAX	TYP
'02	8	16	14	27	2.75
'25	8	16	10	19	2.25
'27	10	16	16	26	4.34
'L02	0.8	1.6	1.4	2.6	0.275
'LS02	1.6	3.2	2.8	5.4	0.55
'LS27	2.0	4	3.4	6.8	0.9
'S02	17	29	26	45	5.38
'S260	17	29	26	45	10.75

<sup>†</sup>Maximum values of I<sub>CC</sub> are over the recommended operating ranges of V<sub>CC</sub> and T<sub>A</sub>; typical values are at V<sub>CC</sub> = 5 V, T<sub>A</sub> = 25°C.

switching characteristics at V<sub>CC</sub> = 5 V, T<sub>A</sub> = 25°C

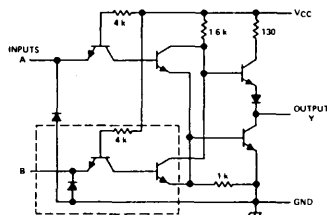
TYPE	TEST CONDITIONS#	t <sub>PLH</sub> (ns)			t <sub>PHL</sub> (ns)		
		Propagation delay time, low-to-high-level output			Propagation delay time, high-to-low-level output		
		MIN	TYP	MAX	MIN	TYP	MAX
'02	C <sub>L</sub> = 15 pF, R <sub>L</sub> = 400 Ω		12	22		8	15
'25			13	22		8	15
'27			10	15		7	11
'L02	C <sub>L</sub> = 50 pF, R <sub>L</sub> = 4 kΩ		31	60		35	60
'LS02, 'LS27	C <sub>L</sub> = 15 pF, R <sub>L</sub> = 2 kΩ		10	15		10	15
'S02	C <sub>L</sub> = 15 pF, R <sub>L</sub> = 280 Ω		3.5	5.5		3.5	5.5
	C <sub>L</sub> = 50 pF, R <sub>L</sub> = 280 Ω		5			5	
'S260	C <sub>L</sub> = 15 pF, R <sub>L</sub> = 280 Ω		4	5.5		4	6

#Load circuit and voltage waveforms are shown on pages 3-10 and 3-11.



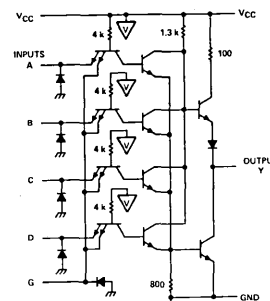
'L02 CIRCUITS

## schematics (each gate)



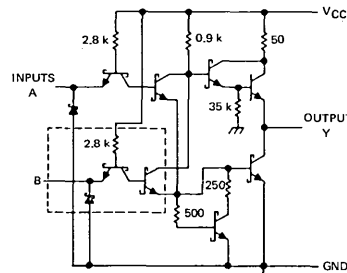
The portion of the schematic within the dashed lines is repeated for the C input of the '27.

'02, '27 CIRCUITS



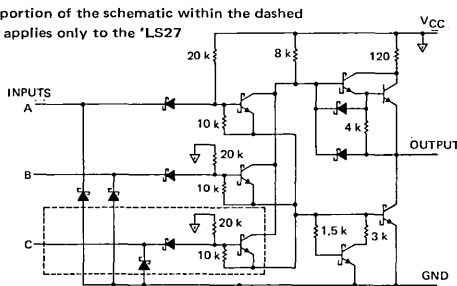
'25 CIRCUITS

Resistor values are nominal and in ohms.



The portion of the schematic within the dashed lines is repeated for each additional input of the 'S260, and the 0.9-kΩ resistor is changed to 0.6 kΩ.

'S02, 'S260 CIRCUITS



'LS02, 'LS27 CIRCUITS

POSITIVE-NOR GATES WITH TOTEM-POLE OUTPUTS



## recommended operating conditions

	54 FAMILY 74 FAMILY	SERIES 54 SERIES 74			SERIES 54H SERIES 74H			SERIES 54LS SERIES 74LS			SERIES 54S SERIES 74S			UNIT
		'08,			'H11, 'H21			'LS08, 'LS11, 'LS21			'S08, 'S11			
		MIN	NOM	MAX	MIN	NOM	MAX	MIN	NOM	MAX	MIN	NOM	MAX	
Supply Voltage, $V_{CC}$	54 Family	4.5	5	5.5	4.5	5	5.5	4.5	5	5.5	4.5	5	5.5	V
	74 Family	4.75	5	5.25	4.75	5	5.25	4.75	5	5.25	4.75	5	5.25	
High-level output current, $I_{OH}$		-800			-500			-400			-1000			$\mu$ A
Low-level output current, $I_{OL}$	54 Family	16			20			4			20			mA
	74 Family	16			20			8			20			
Operating free-air temperature, $T_A$	54 Family	-55 125			-55 125			-55 125			-55 125			$^{\circ}$ C
	74 Family	0 70			0 70			0 70			0 70			

## electrical characteristics over recommended operating free-air temperature range (unless otherwise noted)

PARAMETER	TEST FIGURE	TEST CONDITIONS <sup>†</sup>		SERIES 54 SERIES 74			SERIES 54H SERIES 74H			SERIES 54LS SERIES 74LS			SERIES 54S SERIES 74S			UNIT	
				'08			'H11, 'H21			'LS08, 'LS11, 'LS21			'S08, 'S11				
				MIN	TYP <sup>‡</sup>	MAX	MIN	TYP <sup>‡</sup>	MAX	MIN	TYP <sup>‡</sup>	MAX	MIN	TYP <sup>‡</sup>	MAX		
$V_{IH}$ High-level input voltage	1, 2			2			2			2			2			V	
$V_{IL}$ Low-level input voltage	1, 2			54 Family			0.8			0.7			0.8			V	
				74 Family			0.8			0.8			0.8				
$V_{IK}$ Input clamp voltage	3	$V_{CC} = \text{MIN}, I_I = \S$		-1.5			-1.5			-1.5			-1.2			V	
$V_{OH}$ High-level output voltage	1	$V_{CC} = \text{MIN}, V_{IH} = 2 \text{ V}, I_{OH} = \text{MAX}$		54 Family			2.4 3.4			2.4 3.4			2.5 3.4			V	
				74 Family			2.4 3.4			2.7 3.4			2.7 3.4				
$V_{OL}$ Low-level output voltage	2	$V_{CC} = \text{MIN}, I_{OL} = \text{MAX}$		54 Family			0.2 0.4			0.15 0.3			0.25 0.4			V	
		$V_{IH} = 2 \text{ V}, I_{OL} = 4 \text{ mA}$		74 Family			0.2 0.4			0.2 0.4			0.35 0.5			0.5	
				Series 74LS						0.25 0.4							
$I_I$ Input current at maximum input voltage	4	$V_{CC} = \text{MAX}$		$V_I = 5.5 \text{ V}$			1			1			0.1			mA	
				$V_I = 7 \text{ V}$													
$I_{IH}$ High-level input current	4	$V_{CC} = \text{MAX}$		$V_{IH} = 2.4 \text{ V}$			40			50						$\mu$ A	
				$V_{IH} = 2.7 \text{ V}$									20			50	
$I_{IL}$ Low-level input current	5	$V_{CC} = \text{MAX}$		$V_{IL} = 0.4 \text{ V}$			-1.6			-2			-0.4			mA	
				$V_{IL} = 0.5 \text{ V}$												-2	
$I_{OS}$ Short circuit output current <sup>¶</sup>	6	$V_{CC} = \text{MAX}$		54 Family			-20 -55			-40 -100			-20 -100			-40 -100	mA
				74 Family			-18 -55			-40 -100			-20 -100			-40 -100	
$I_{CC}$ Supply current	7	$V_{CC} = \text{MAX}$														mA	

<sup>†</sup>For conditions shown as MIN or MAX, use the appropriate values specified under recommended operating conditions.

<sup>‡</sup>All typical values are at  $V_{CC} = 25^{\circ}\text{C}$ .

<sup>§</sup> $I_I = -12 \text{ mA}$  for SN54/SN74',  $-8 \text{ mA}$  for SN54H/SN74H', and  $-18 \text{ mA}$  for SN54LS/SN74LS' and SN54S/SN74S'.

<sup>¶</sup>Not more than one output should be shorted at a time, and for SN54H/SN74H', SN54LS/SN74LS' and SN54S/SN74S', duration of output short circuit should not exceed one second.

supply current<sup>†</sup>

TYPE	I <sub>CCH</sub> (mA) Total with outputs high		I <sub>CCL</sub> (mA) Total with outputs low		I <sub>CC</sub> (mA) Average per gate (50% duty cycle)
	TYP	MAX	TYP	MAX	
'08	11	21	20	33	3.88
'H11	18	30	30	48	8
'H21	12	20	20	32	8
'LS08	2.4	4.8	4.4	8.8	0.85
'LS11	1.8	3.6	3.3	6.6	0.85
'LS21	1.2	2.4	2.2	4.4	0.85
'S08	18	32	32	57	6.25
'S11	13.5	24	24	42	6.25

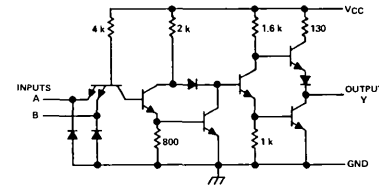
<sup>†</sup>Maximum values of I<sub>CC</sub> are over the recommended operating ranges of V<sub>CC</sub> and T<sub>A</sub>; typical values are at V<sub>CC</sub> = 5 V, T<sub>A</sub> = 25°C.

switching characteristics at V<sub>CC</sub> = 5 V, T<sub>A</sub> = 25°C

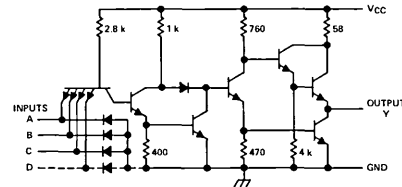
TYPE	TEST CONDITIONS#	t <sub>PLH</sub> (ns) Propagation delay time, low-to-high-level output		t <sub>PHL</sub> (ns) Propagation delay time, high-to-low-level output			
		MIN	TYP	MAX	MIN	TYP	MAX
'08	C <sub>L</sub> = 15 pF, R <sub>L</sub> = 400 Ω		17.5	27	12	19	
'H11, 'H21	C <sub>L</sub> = 25 pF, R <sub>L</sub> = 280 Ω		7.6	12	8.8	12	
'LS08, 'LS11 'LS21	C <sub>L</sub> = 15 pF, R <sub>L</sub> = 2 kΩ		8	15	10	20	
'S08, 'S11	C <sub>L</sub> = 15 pF, R <sub>L</sub> = 280 Ω		4.5	7	5	7.5	
	C <sub>L</sub> = 50 pF, R <sub>L</sub> = 280 Ω		6		7.5		

#Load circuit and voltage waveforms are shown on pages 3-10 and 3-11.

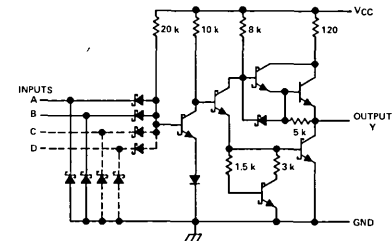
## schematics (each gate)



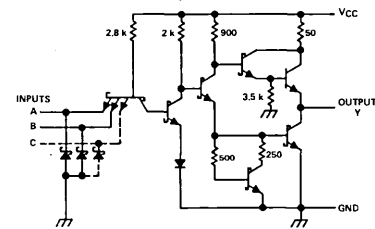
'08 CIRCUITS



'H11, 'H21 CIRCUITS



'LS08, 'LS11, 'LS21 CIRCUITS



'S08, 'S11 CIRCUITS

Resistor values shown are nominal and in ohms.

POSITIVE-AND GATES WITH TOTEM-POLE OUTPUTS

recommended operating conditions

	54 FAMILY	SERIES 54			SERIES 54H			SERIES 54LS			SERIES 54S			UNIT
	74 FAMILY	SERIES 74			SERIES 74H			SERIES 74LS			SERIES 74S			
		'09			'H15			'LS09, 'LS15			'S09, 'S15			
		MIN	NOM	MAX	MIN	NOM	MAX	MIN	NOM	MAX	MIN	NOM	MAX	
Supply Voltage, V <sub>CC</sub>	54 Family	4.5	5	5.5	4.5	5	5.5	4.5	5	5.5	4.5	5	5.5	V
	74 Family	4.75	5	5.25	4.75	5	5.25	4.75	5	5.25	4.75	5	5.25	
High-level output voltage, V <sub>OH</sub>		5.5			5.5			5.5			5.5			V
Low-level output current, I <sub>OL</sub>	54 Family	16			20			4			20			mA
	74 Family	16			20			8			20			
Operating free-air temperature, T <sub>A</sub>	54 Family	-55		125	-55		125	-55		125	-55		125	°C
	74 Family	0		70	0		70	0		70	0		70	

electrical characteristics over recommended operating free-air temperature range (unless otherwise noted)

PARAMETER	TEST FIGURE	TEST CONDITIONS†	SERIES 54		SERIES 54H		SERIES 54LS		SERIES 54S		UNIT	
			SERIES 74		SERIES 74H		SERIES 74LS		SERIES 74S			
			'09		'H15		'LS09, 'LS15		'S09, 'S15			
			MIN	TYP‡	MAX	MIN	TYP‡	MAX	MIN	TYP‡	MAX	
V <sub>IH</sub> High-level input voltage	1, 2		2		2		2		2		V	
V <sub>IL</sub> Low-level input voltage	1, 2		0.8		0.8		0.7		0.8		V	
		54 Family	0.8		0.8		0.8		0.8		V	
V <sub>IK</sub> Input clamp voltage	3	V <sub>CC</sub> = MIN, I <sub>I</sub> = §	-1.5		-1.5		-1.5		-1.2		V	
I <sub>OH</sub> High-level output current	1	V <sub>CC</sub> = MIN, V <sub>IH</sub> = 2 V, V <sub>OH</sub> = 5.5 V,	250		250		100		250		µA	
V <sub>OL</sub> Low-level output voltage	2	V <sub>CC</sub> = MIN, V <sub>IH</sub> = 2 V	I <sub>OL</sub> = MAX	54 Family		0.2 0.4		0.15 0.3		0.25 0.4		V
				74 Family		0.2 0.4		0.2 0.4		0.35 0.5		
			I <sub>OL</sub> = 4 mA	Series 74LS				0.25 0.4				
I <sub>I</sub> Input current at maximum input voltage	4	V <sub>CC</sub> = MAX	V <sub>I</sub> = 5.5 V		1		0.1		1		mA	
			V <sub>I</sub> = 7 V				0.1					
I <sub>IH</sub> High-level input current	4	V <sub>CC</sub> = MAX	V <sub>IH</sub> = 2.4 V		40		50				µA	
			V <sub>IH</sub> = 2.7 V						20			50
I <sub>IL</sub> Low-level input current	5	V <sub>CC</sub> = MAX	V <sub>IL</sub> = 0.4 V		-1.6		-2		-0.4		mA	
			V <sub>IL</sub> = 0.5 V									-2
I <sub>CC</sub> Supply current	7	V <sub>CC</sub> = MAX	See table on next page									mA

† For conditions shown as MIN or MAX use the appropriate value specified under recommended operating conditions.  
 ‡ All typical values are at V<sub>CC</sub> = 5 V, T<sub>A</sub> = 25°C.  
 § I<sub>I</sub> = -12 mA for SN54'/SN74', -8 mA for SN54H'/SN74H', and -18 mA for SN54LS'/SN74LS'.

supply current<sup>¶</sup>

TYPE	$I_{CCH}$ (mA)		$I_{CCL}$ (mA)		$I_{CC}$ (mA) Average per gate (50% duty cycle)
	Total with outputs high		Total with outputs low		
	TYP	MAX	TYP	MAX	
'09	11	21	20	33	3.88
'H15	15	25	30	48	7.5
'LS09	2.4	4.8	4.4	8.8	0.85
'LS15	1.8	3.6	3.3	6.6	0.85
'S09	18	32	32	57	6.25
'S15	10.5	19.5	24	42	5.75

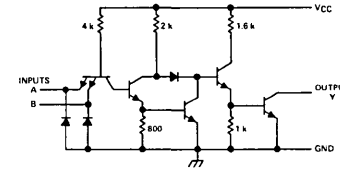
<sup>¶</sup>Maximum values of  $I_{CC}$  are over the recommended operating ranges of  $V_{CC}$  and  $T_A$ ; typical values are at  $V_{CC} = 5\text{ V}$ ,  $T_A = 25^\circ\text{C}$ .

switching characteristics at  $V_{CC} = 5\text{ V}$ ,  $T_A = 25^\circ\text{C}$ 

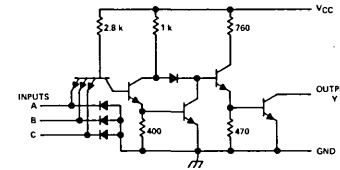
TYPE	TEST CONDITIONS#	$t_{PLH}$ (ns) Propagation delay time, low-to-high-level output			$t_{PHL}$ (ns) Propagation delay time, high-to-low-level output		
		MIN	TYP	MAX	MIN	TYP	MAX
		'09	$C_L = 15\text{ pF}$ , $R_L = 400\ \Omega$	21	32	16	24
'H15	$C_L = 25\text{ pF}$ , $R_L = 280\ \Omega$	12	18	9	13		
'LS09, 'LS15	$C_L = 15\text{ pF}$ , $R_L = 2\text{ k}\Omega$	20	35	17	35		
'S09	$C_L = 15\text{ pF}$ , $R_L = 280\ \Omega$	6.5	10	6.5	10		
	$C_L = 50\text{ pF}$ , $R_L = 280\ \Omega$	9		9			
'S15	$C_L = 15\text{ pF}$ , $R_L = 280\ \Omega$	5.5	8.5	6	9		
	$C_L = 50\text{ pF}$ , $R_L = 280\ \Omega$	8.5		8			

#Load circuit and voltage waveforms are shown on pages 3-10 and 3-11.

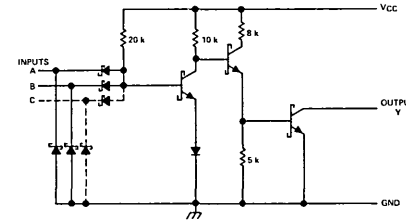
## schematics (each gate)



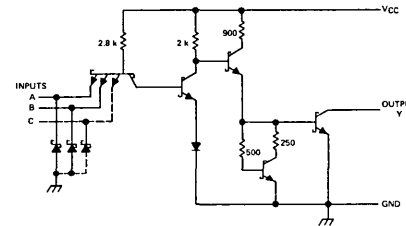
'09 CIRCUITS



'H15 CIRCUITS



'LS09, 'LS15 CIRCUITS



'S09, 'S15 CIRCUITS

Resistor values shown are nominal and in ohms.

POSITIVE-AND GATES WITH OPEN-COLLECTOR OUTPUTS

**SCHMITT-TRIGGER POSITIVE-NAND GATES AND INVERTERS WITH TOTEM-POLE OUTPUTS**

**recommended operating conditions**

	54 FAMILY 74 FAMILY	SERIES 54 SERIES 74						SERIES 54LS SERIES 74LS			SERIES 54S SERIES 74S			UNIT
		'13			'14, '132			'LS13, 'LS14, 'LS132			'S132			
		MIN	NOM	MAX	MIN	NOM	MAX	MIN	NOM	MAX	MIN	NOM	MAX	
Supply voltage, V <sub>CC</sub>	54 Family 74 Family	4.5	5	5.5	4.5	5	5.5	4.5	5	5.5	4.5	5	5.5	V
High level output current, I <sub>OH</sub>		4.75	5	5.25	4.75	5	5.25	4.75	5	5.25	4.75	5	5.25	μA
				-800			-800			-400			-1000	
Low-level output current, I <sub>OL</sub>	54 Family 74 Family			16			16			4			20	mA
				16			16			8			20	
Operating free-air temperature, T <sub>A</sub>	54 Family 74 Family	-55		125	-55		125	-55		125	-55		125	°C
		0		70	0		70	0		70	0		70	

**electrical characteristics over recommended operating free-air temperature range (unless otherwise noted)**

PARAMETER	TEST FIGURE	TEST CONDITIONS†	SERIES 54 SERIES 74						SERIES 54LS SERIES 74LS			SERIES 54S SERIES 74S			UNIT				
			'13			'14, '132			'LS13, 'LS14, 'LS132			'S132							
			MIN	TYP‡	MAX	MIN	TYP‡	MAX	MIN	TYP‡	MAX	MIN	TYP‡	MAX					
V <sub>T+</sub> Positive-going threshold voltage	8	V <sub>CC</sub> = 5 V	1.5	1.7	2	1.5	1.7	2	1.4	1.6	1.9	1.6	1.77	1.9	V				
V <sub>T-</sub> Negative-going threshold voltage	9	V <sub>CC</sub> = 5 V	0.6	0.9	1.1	0.6	0.9	1.1	0.5	0.8	1	1.1	1.22	1.4	V				
Hysteresis (V <sub>T+</sub> -V <sub>T-</sub> )	8, 9	V <sub>CC</sub> = 5 V	0.4	0.8		0.4	0.8		0.4	0.8		0.2	0.55		V				
V <sub>IK</sub> Input clamp voltage	3	V <sub>CC</sub> = MIN, I <sub>I</sub> = §			-1.5			-1.5			-1.5			-1.2	V				
V <sub>OH</sub> High-level output voltage	9	V <sub>CC</sub> = MIN, I <sub>OH</sub> = MAX, V <sub>I</sub> = V <sub>T- min</sub>	54 Family 74 Family	2.4 2.4	3.4 3.4		2.4 2.4	3.4 3.4		2.5 2.7	3.4 3.4		2.5 2.7	3.4 3.4	V				
V <sub>OL</sub> Low-level output voltage	8	V <sub>CC</sub> = MIN, V <sub>I</sub> = V <sub>T+</sub> max	I <sub>OL</sub> = MAX 74 Family Series 74LS	54 Family	0.2	0.4		0.2	0.4		0.25	0.4		0.5	V				
				74 Family		0.2	0.4		0.2	0.4		0.35	0.5			0.5			
				Series 74LS							0.25	0.4							
I <sub>T+</sub> Input current at positive-going threshold	8	V <sub>CC</sub> = 5 V, V <sub>I</sub> = V <sub>T+</sub>			-0.65			-0.43			-0.14			-0.9	mA				
I <sub>T-</sub> Input current at negative-going threshold	9	V <sub>CC</sub> = 5 V, V <sub>I</sub> = V <sub>T-</sub>			-0.85			-0.56			-0.18			-1.1	mA				
I <sub>I</sub> Input current at maximum input voltage	4	V <sub>CC</sub> = MAX	V <sub>I</sub> = 5.5 V V <sub>I</sub> = 7 V			1			1					1	mA				
						40			40				0.1						
I <sub>IH</sub> High-level input current	4	V <sub>CC</sub> = MAX	V <sub>I</sub> = 2.4 V V <sub>I</sub> = 2.7 V										20		μA				
															50				
I <sub>IL</sub> Low-level input current	5	V <sub>CC</sub> = MAX	V <sub>IL</sub> = 0.4 V V <sub>IL</sub> = 0.5 V			-1	-1.6		-0.8	-1.2			-0.4		mA				
															-2				
I <sub>OS</sub> Short-circuit output current*	6	V <sub>CC</sub> = MAX			-18			-55			-18			-55	-20	-100	-40	-100	mA

†For conditions shown as MIN or MAX, use the appropriate value specified under recommended operating conditions.

‡All typical values are at V<sub>CC</sub> = 5 V, T<sub>A</sub> = 25°C.

§I<sub>I</sub> = -12 mA for SN54/SN74 and -18 mA for 'LS13, 'LS14, 'LS132, and 'S132.

\*Not more than one output should be shorted at a time, and for SN54LS/SN74LS and 'S132, duration of output short-circuit should not exceed one second.

supply current<sup>†</sup>

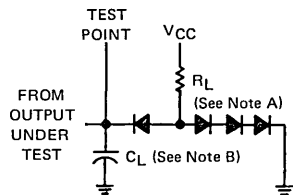
TYPE	I <sub>CC</sub> H (mA) Total with outputs high		I <sub>CC</sub> L (mA) Total with outputs low		I <sub>CC</sub> (mA) Average per gate (50% duty cycle)
	TYP	MAX	TYP	MAX	TYP
'13	14	23	20	32	8.5
'14	22	36	39	60	5.1
'132	15	24	26	40	5.1
'LS13	2.9	6	4.1	7	1.75
'LS14	8.6	16	12	21	1.72
'LS132	5.9	11	8.2	14	1.76
'S132	28	44	44	68	9

<sup>†</sup> Maximum values of I<sub>CC</sub> are over the recommended operating ranges of V<sub>CC</sub> and T<sub>A</sub>: typical values are at V<sub>CC</sub> = 5 V, T<sub>A</sub> = 25°C.

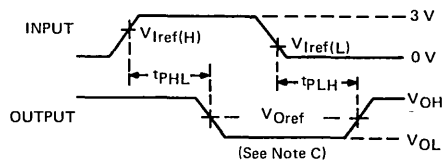
switching characteristics, V<sub>CC</sub> = 5 V, T<sub>A</sub> = 25°C

TYPE	TEST CONDITIONS	t <sub>PLH</sub> (ns) Propagation delay time, low-to-high-level output			t <sub>PHL</sub> (ns) Propagation delay time, high-to-low-level output		
		MIN	TYP	MAX	MIN	TYP	MAX
'13	C <sub>L</sub> = 15 pF, R <sub>L</sub> = 400 Ω	18	27		15	22	
'14, '132		15	22		15	22	
'LS13	C <sub>L</sub> = 15 pF, R <sub>L</sub> = 2 kΩ	15	22		18	27	
'LS14		15	22		15	22	
'LS132		15	22		15	22	
'S132	C <sub>L</sub> = 15 pF, R <sub>L</sub> = 280 Ω	7	10.5		8.5	13	

## PARAMETER MEASUREMENT INFORMATION



LOAD CIRCUIT



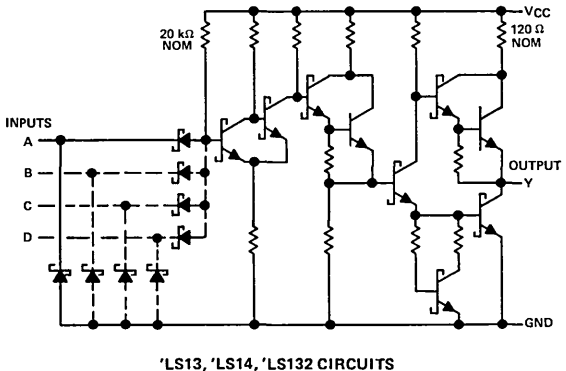
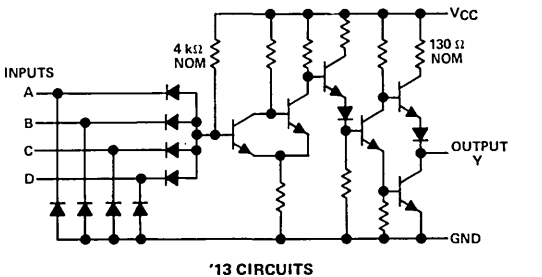
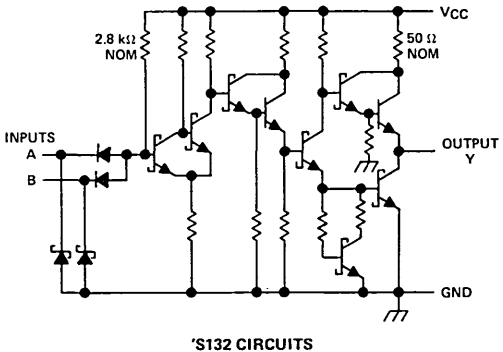
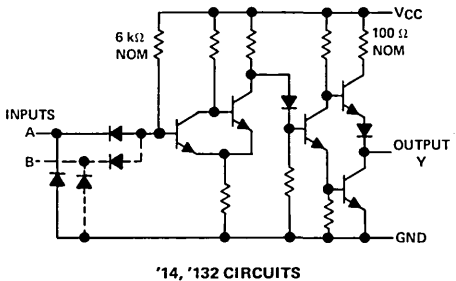
VOLTAGE WAVEFORMS

- NOTES: A. All diodes are 1N916 or 1N3064.  
B. C<sub>L</sub> includes probe and jrg capacitance.  
C. Generator characteristics and reference voltages are:

	Generator Characteristics				Reference Voltages		
	Z <sub>out</sub>	PRR	t <sub>r</sub>	t <sub>f</sub>	V <sub>I ref(H)</sub>	V <sub>I ref(L)</sub>	V <sub>O ref</sub>
SN54/SN74'	50 Ω	1 MHz	10 ns	10 ns	1.7 V	0.9 V	1.5 V
SN54LS/SN74LS'	50 Ω	1 MHz	15 ns	6 ns	1.6 V	0.8 V	1.3 V
'S132	50 Ω	1 MHz	2.5 ns	2.5 ns	1.8 V	1.2 V	1.5 V

SCHMITT-TRIGGER POSITIVE-NAND GATES AND INVERTERS  
WITH TOTEM-POLE OUTPUTS

**SCHMITT-TRIGGER POSITIVE-NAND GATES AND INVERTERS  
WITH TOTEM-POLE OUTPUTS**



Resistor values shown are nominal.

schematics (each gate)

# SCHMITT-TRIGGER POSITIVE-NAND GATES AND INVERTERS WITH TOTEM-POLE OUTPUTS

## TYPICAL CHARACTERISTICS OF '13, '14, AND '132 CIRCUITS†

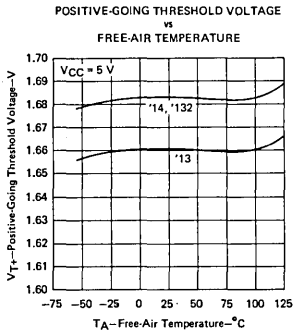


FIGURE 1

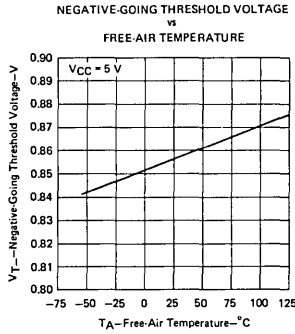


FIGURE 2

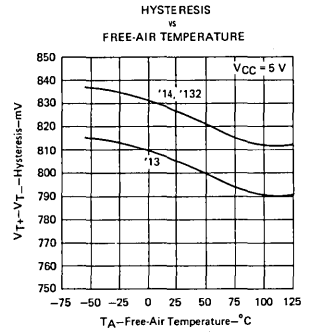


FIGURE 3

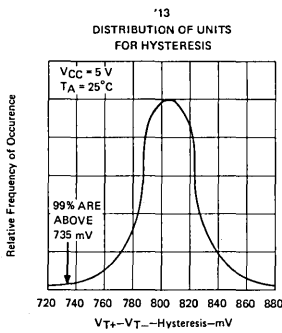


FIGURE 4

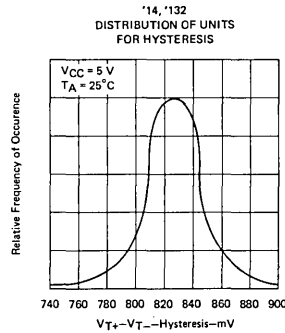


FIGURE 5

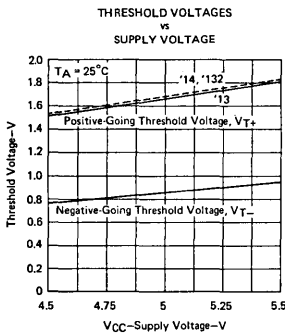


FIGURE 6

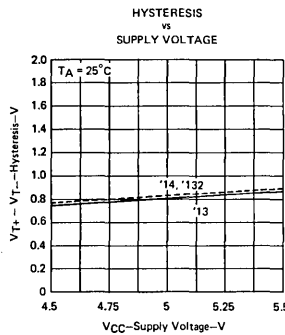


FIGURE 7

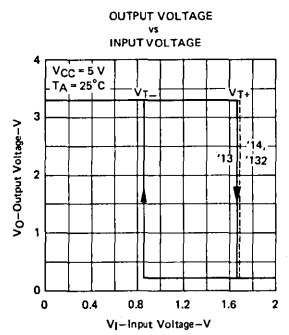


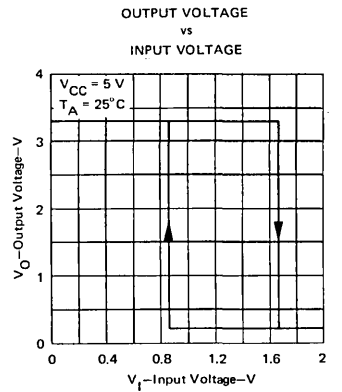
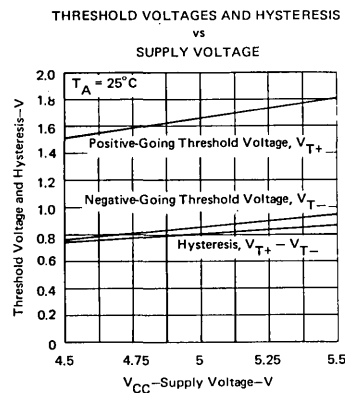
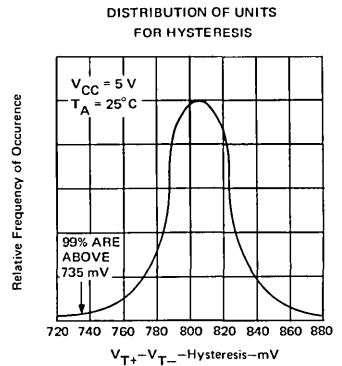
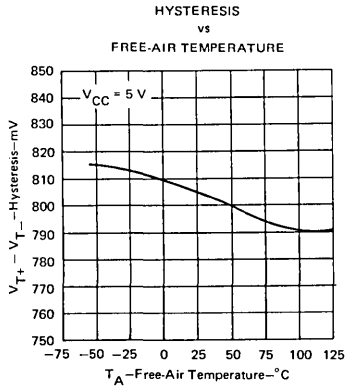
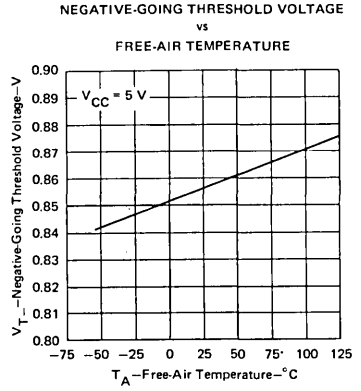
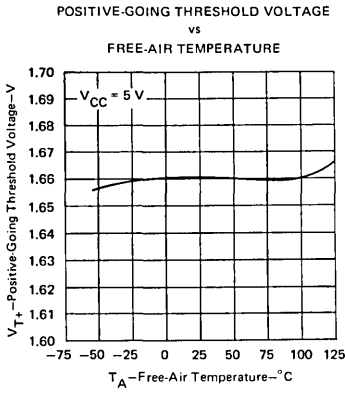
FIGURE 8

†Data for temperatures below 0°C and 70°C and supply voltages below 4.75V and above 5.25 V are applicable for SN5413, SN5414, and SN54132 only.



# SCHMITT-TRIGGER POSITIVE-NAND GATES AND INVERTERS WITH TOTEM-POLE OUTPUTS

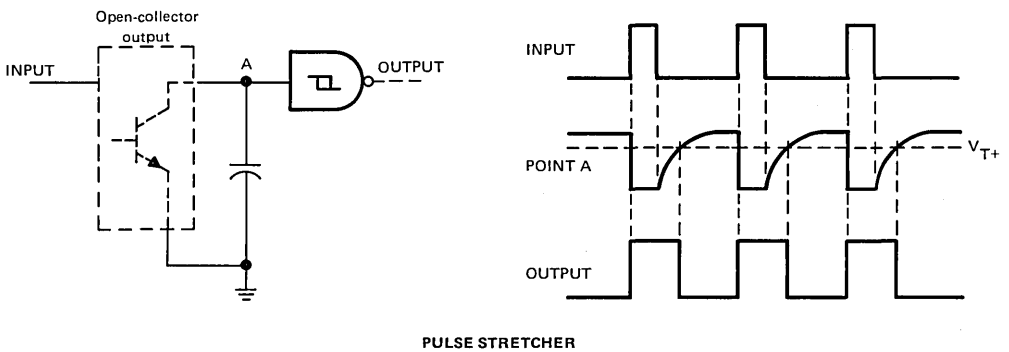
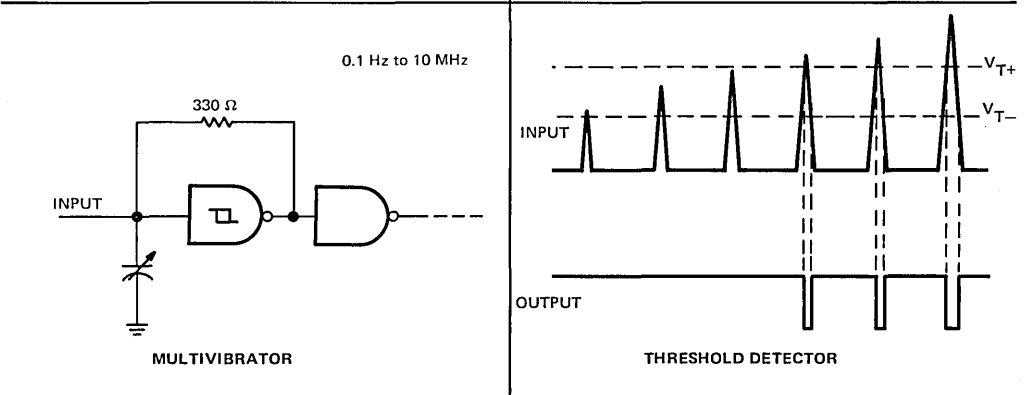
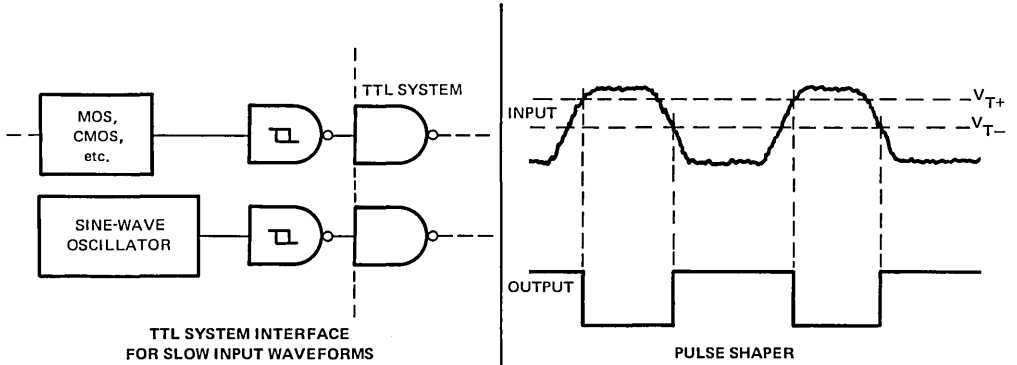
## TYPICAL CHARACTERISTICS OF 'LS13, 'LS14, AND 'LS132 CIRCUITS<sup>†</sup>



<sup>†</sup>Data for temperatures below 0°C and above 70°C and supply voltages below 4.75 V and above 5.25 are applicable for SN54LS13, SN54LS14, and SN54LS132 only.

# SCHMITT-TRIGGER POSITIVE-NAND GATES AND INVERTERS WITH TOTEM-POLE OUTPUTS

## TYPICAL APPLICATION DATA



6

recommended operating conditions

	54 FAMILY 74 FAMILY	SERIES 54 SERIES 74						SERIES 54H SERIES 74H			SERIES 54LS SERIES 74LS			SERIES 54S SERIES 74S			UNIT
		'28			'37, '40			'H40			'LS28, 'LS37 'LS40			'S37, 'S40			
		MIN	NOM	MAX	MIN	NOM	MAX	MIN	NOM	MAX	MIN	NOM	MAX	MIN	NOM	MAX	
Supply voltage, V <sub>CC</sub>	54 Family	4.5	5	5.5	4.5	5	5.5	4.5	5	5.5	4.5	5	5.5	4.5	5	5.5	V
	74 Family	4.75	5	5.25	4.75	5	5.25	4.75	5	5.25	4.75	5	5.25	4.75	5	5.25	
High-level output current, I <sub>OH</sub>		-2.4			-1.2			-1.5			-1.2			-3			mA
Low-level output current, I <sub>OL</sub>	54 Family	48			48			60			12			60			mA
	74 Family	48			48			60			24			60			
Operating free-air temperature, T <sub>A</sub>	54 Family	-55	125		-55	125		-55	125		-55	125		-55	125		°C
	74 Family	0	70		0	70		0	70		0	70		0	70		

electrical characteristics over recommended operating free-air temperature range (unless otherwise noted)

PARAMETER	TEST FIGURE	TEST CONDITIONS <sup>†</sup>	SERIES 54 SERIES 74						SERIES 54H SERIES 74H			SERIES 54LS SERIES 74LS			SERIES 54S SERIES 74S			UNIT
			'28			'37, '40			'H40			'LS28, 'LS37, 'LS40			'S37, 'S40			
			MIN	TYP <sup>‡</sup>	MAX	MIN	TYP <sup>‡</sup>	MAX	MIN	TYP <sup>‡</sup>	MAX	MIN	TYP <sup>‡</sup>	MAX	MIN	TYP <sup>‡</sup>	MAX	
V <sub>IH</sub>	1, 2		2			2			2			2			2			V
V <sub>IL</sub>	1, 2		54 Family			0.8			0.8			0.7			0.8			V
			74 Family			0.8			0.8			0.8			0.8			
V <sub>IK</sub>	3	V <sub>CC</sub> = MIN, I <sub>I</sub> = §	-1.5			-1.5			-1.5			-1.5			-1.2			V
V <sub>OH</sub>	1	V <sub>CC</sub> = MIN, V <sub>IL</sub> = V <sub>IL</sub> max, I <sub>OH</sub> = MAX	54 Family			2.4 3.4			2.4 3.4			2.5 3.4			2.5 3.4			V
			74 Family			2.4 3.4			2.4 3.4			2.7 3.4			2.7 3.4			
V <sub>OL</sub>	2	V <sub>CC</sub> = MIN, V <sub>IH</sub> = 2 V	54 Family			0.2 0.4			0.2 0.4			0.15 0.3			0.25 0.4			V
			74 Family			0.2 0.4			0.2 0.4			0.25 0.5			0.5			
			Series 74LS									0.25 0.4						
I <sub>I</sub>	4	V <sub>CC</sub> = MAX	V <sub>I</sub> = 5.5 V			1			1			0.1			1			mA
			V <sub>I</sub> = 7 V									0.1						
I <sub>IH</sub>	4	V <sub>CC</sub> = MAX	V <sub>IH</sub> = 2.4 V			40			40			100						μA
			V <sub>IH</sub> = 2.7 V									20			100			
I <sub>IL</sub>	5	V <sub>CC</sub> = MAX	V <sub>IL</sub> = 0.4 V			-1.6			-1.6			-4			-0.4			mA
			V <sub>IL</sub> = 0.5 V												-4			
I <sub>OS</sub>	6		54 Family			-70 -180 -20 -70			-40 -125 -30 -130			-50 -225			mA			
			74 Family			-70 -180 -18 -70			-40 -125 -30 -130			-50 -225						
I <sub>CC</sub>	7	V <sub>CC</sub> = MAX																See table on next page

<sup>†</sup>For conditions shown as MIN or MAX, use the appropriate value specified under recommended operating conditions.

<sup>‡</sup>All typical values are at V<sub>CC</sub> = 5 V, T<sub>A</sub> = 25°C.

<sup>§</sup>I<sub>I</sub> = -12 mA for SN54H/SN74H, -8 mA for SN54H/SN74H, and -18 mA for SN54LS/SN74LS and SN54S/SN74S.

\*Not more than one output should be shorted at a time, and duration of the short-circuit should not exceed one second for all of these circuits except 'S37 and 'S40, or 100 milliseconds for 'S37 and 'S40.

supply current†

TYPE	I <sub>CCH</sub> (mA) Total with outputs high		I <sub>CCL</sub> (mA) Total with outputs low		I <sub>CC</sub> (mA) Average per gate (50% duty cycle)
	TYP	MAX	TYP	MAX	TYP
'28	12	21	33	57	5.63
'37	9	15.5	34	54	5.38
'40	4	8	17	27	5.25
'H40	10.4	16	25	40	8.85
'LS28	1.8	3.6	6.9	13.8	1.09
'LS37	0.9	2	6	12	0.86
'LS40	0.45	1	3	6	0.86
'S37	20	36	46	80	8.25
'S40	10	18	25	44	8.75

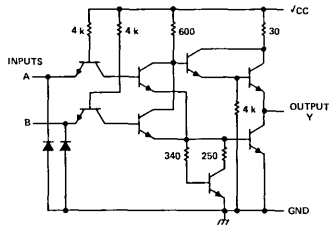
† Maximum values of I<sub>CC</sub> are over the recommended operating ranges of V<sub>CC</sub> and T<sub>A</sub>; typical values are at V<sub>CC</sub> = 5 V, T<sub>A</sub> = 25°C.

switching characteristics, V<sub>CC</sub> = 5 V, T<sub>A</sub> = 25°C

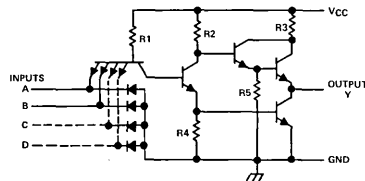
TYPE	TEST CONDITIONS#	t <sub>PLH</sub> (ns) Propagation delay time, low-to-high-level output			t <sub>PHL</sub> (ns) Propagation delay time, high-to-low output		
		MIN	TYP	MAX	MIN	TYP	MAX
'28	C <sub>L</sub> = 50 pF, R <sub>L</sub> = 133 Ω	6	9		8	12	
	C <sub>L</sub> = 150 pF, R <sub>L</sub> = 133 Ω	10	15		12	18	
'37	C <sub>L</sub> = 45 pF, R <sub>L</sub> = 133 Ω	13	22		8	15	
'40	C <sub>L</sub> = 15 pF, R <sub>L</sub> = 133 Ω	13	22		8	15	
'H40	C <sub>L</sub> = 25 pF, R <sub>L</sub> = 93 Ω	8.5	12		6.5	12	
'LS28		12	24		12	24	
'LS37	C <sub>L</sub> = 45 pF, R <sub>L</sub> = 667 Ω	12	24		12	24	
'LS40		12	24		12	24	
'S37	C <sub>L</sub> = 50 pF, R <sub>L</sub> = 93 Ω	4	6.5		4	6.5	
'S40	C <sub>L</sub> = 150 pF, R <sub>L</sub> = 93 Ω	6			6		

# Load circuit and voltage waveforms are shown on pages 3-10 and 3-11.

schematics (each gate)

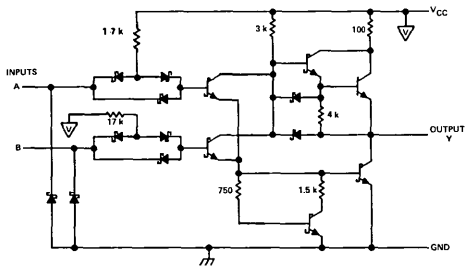


'28 CIRCUITS

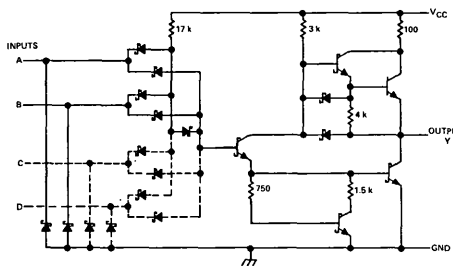


'37, '40, 'H40 CIRCUITS

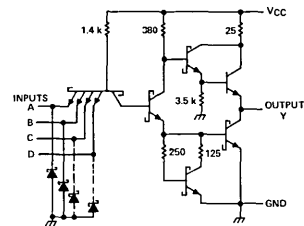
	'37	'40	'H40
R1	4 k	4 k	1.4 k
R2	600	600	390
R3	100	100	45
R4	400	400	250
R5	4 k	4 k	2 k



'LS28 CIRCUITS



'LS37, 'LS40 CIRCUITS



'S37, 'S40 CIRCUITS

Resistor values shown are nominal and in ohms.

BUFFERS/CLOCK DRIVERS WITH TOTEM-POLE OUTPUTS



recommended operating conditions

	54 FAMILY	SERIES 54			SERIES 54S			UNIT
	74 FAMILY	SERIES 74			SERIES 74S			
		'128			'S140			
		MIN	NOM	MAX	MIN	NOM	MAX	
Supply voltage, V <sub>CC</sub>	54 Family	4.5	5	5.5	4.5	5	5.5	V
	74 Family	4.75	5	5.25	4.75	5	5.25	
High-level output current, I <sub>OH</sub>	54 Family			-29			-40	mA
	74 Family			-42.4			-40	
Low-level output current, I <sub>OL</sub>				48			60	mA
Operating free-air temperature, T <sub>A</sub>	54 Family	-55	125		-55	125		°C
	74 Family	0	70		0	70		

electrical characteristics over recommended operating free-air temperature range (unless otherwise noted)

PARAMETER	TEST FIGURE	TEST CONDITIONS†	SERIES 54		SERIES 54S		UNIT	
			SERIES 74		SERIES 74S			
			'128		'S140			
			MIN	TYP‡	MAX	MIN	TYP‡	MAX
V <sub>IH</sub> High-level input voltage	1, 2		2		2		V	
V <sub>IL</sub> Low-level input voltage	1, 2		0.8		0.8		V	
V <sub>IK</sub> Input clamp voltage	3	V <sub>CC</sub> = MIN, I <sub>I</sub> = §	-1.5		-1.2		V	
V <sub>OH</sub> High-level output voltage	1	V <sub>CC</sub> = MIN, V <sub>IL</sub> = 0.8 V, I <sub>OH</sub> = -2.4 mA	54 Family	2.4	3.4			V
			74 Family	2.4	3.4			
		V <sub>CC</sub> = MIN, V <sub>IL</sub> = 0.4 V, I <sub>OH</sub> = -13.2 mA	2.4					
		V <sub>CC</sub> = MIN, V <sub>IL</sub> = 0.4 V, I <sub>OH</sub> = MAX	2					
		V <sub>CC</sub> = MIN, V <sub>IL</sub> = 0.8 V, I <sub>OH</sub> = -3 mA	54 Family			2.5	3.4	
		74 Family			2.7	3.4		
		V <sub>CC</sub> = MIN, V <sub>IL</sub> = 0.5 V, R <sub>O</sub> = 50 Ω to GND			2			
V <sub>OL</sub> Low-level output voltage	2	V <sub>CC</sub> = MIN, V <sub>IH</sub> = 2 V, I <sub>OL</sub> = MAX	0.26	0.4		0.5	V	
I <sub>I</sub> Input current at maximum input voltage	4	V <sub>CC</sub> = MAX, V <sub>I</sub> = 5.5 V	1		1		mA	
I <sub>IH</sub> High-level input current	4	V <sub>CC</sub> = MAX	V <sub>IH</sub> = 2.4 V		40		μA	
			V <sub>IH</sub> = 2.7 V		100			
I <sub>IL</sub> Low-level input current	5	V <sub>CC</sub> = MAX	V <sub>IL</sub> = 0.4 V		-1.6		mA	
			V <sub>IL</sub> = 0.5 V		-4			
I <sub>OS</sub> Short-circuit output current*‡	6	V <sub>CC</sub> = MAX	-70	-180	-50	-225	mA	
I <sub>CC</sub> Supply current	7	V <sub>CC</sub> = MAX	12		21		10	18
			33		57		25	44
			5.63		8.75			
		V <sub>CC</sub> = 5 V, 50% duty cycle						

† For conditions shown as MIN or MAX, use the appropriate value specified under recommended operating conditions.

‡ All typical values are at V<sub>CC</sub> = 5 V, T<sub>A</sub> = 25°C.

§ I<sub>I</sub> = -12 mA for '128 and -18 mA for 'S140.

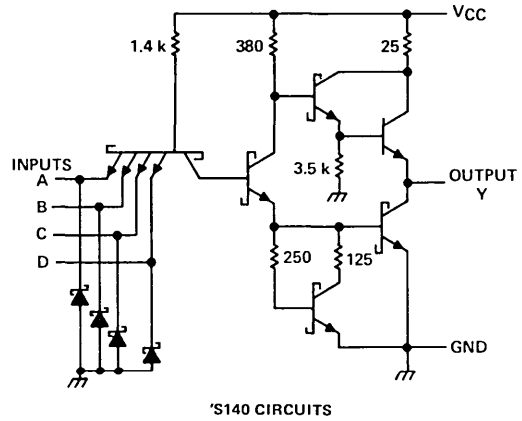
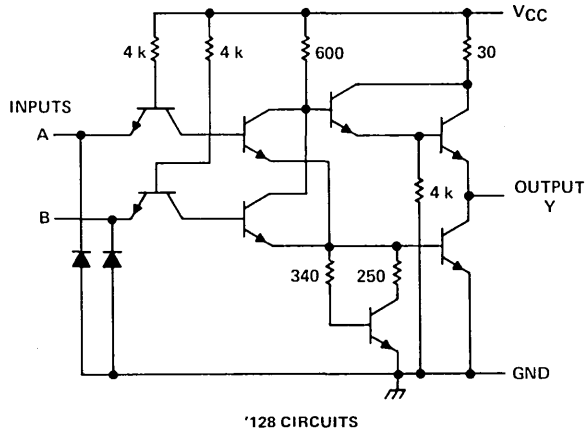
\* Not more than one output should be shorted at a time, and duration of short circuit should not exceed one second for '128 or 100 milliseconds for 'S140.

switching characteristics,  $V_{CC} = 5\text{ V}$ ,  $T_A = 25^\circ\text{ C}$

TYPE	TEST CONDITIONS#	t <sub>PLH</sub> (ns)			t <sub>PHL</sub> (ns)		
		Propagation delay time, low-to-high-level output			Propagation delay time, high-to-low-level output		
		MIN	TYP	MAX	MIN	TYP	MAX
'128	C <sub>L</sub> = 50 pF, R <sub>L</sub> = 133 Ω	6	9		8	12	
	C <sub>L</sub> = 150 pF, R <sub>L</sub> = 133 Ω	10	15		12	18	
'S140	C <sub>L</sub> = 50 pF, R <sub>L</sub> = 93 Ω	4	6.5		4	6.5	
	C <sub>L</sub> = 150 pF, R <sub>L</sub> = 93 Ω	6			6		

#Load circuit and voltage waveforms are shown on page 3-10.

schematics (each driver)



Resistor values shown are nominal and in ohms.

**recommended operating conditions**

	54 FAMILY 74 FAMILY	SERIES 54' SERIES 74'												UNIT
		'06, '07			'16, '17			'26			'33, '38			
		MIN	NOM	MAX	MIN	NOM	MAX	MIN	NOM	MAX	MIN	NOM	MAX	
Supply voltage, V <sub>CC</sub>	54 Family	4.5	5	5.5	4.5	5	5.5	4.5	5	5.5	4.5	5	5.5	V
	74 Family	4.75	5	5.25	4.75	5	5.25	4.75	5	5.25	4.75	5	5.25	
High-level output voltage, V <sub>OH</sub>		30			15			15			5.5			V
Low-level output current, I <sub>OL</sub>	54 Family	30			30			16			48			mA
	74 Family	40			40			16			48			
Operating free-air temperature, T <sub>A</sub>	54 Family	-55		125		-55		125		-55		125		°C
	74 Family	0		70		0		70		0		70		

**electrical characteristics over recommended operating free-air temperature range (unless otherwise noted)**

PARAMETER	TEST FIGURE	TEST CONDITIONS†	SERIES 54' SERIES 74'												UNIT
			'06, '07			'16, '17			'26			'33, '38			
			MIN	TYP	MAX	MIN	TYP	MAX	MIN	TYP	MAX	MIN	TYP	MAX	
V <sub>IH</sub> High-level input voltage	1, 2		2			2			2			2			V
V <sub>IL</sub> Low-level input voltage	1, 2		0.8			0.8			0.8			0.8			V
V <sub>IK</sub> Input clamp voltage	3	V <sub>CC</sub> = MIN, I <sub>I</sub> = -12 mA	-1.5			-1.5			-1.5			-1.5			V
I <sub>OH</sub> High-level output current	1	V <sub>CC</sub> = MIN, V <sub>I</sub> = ▲	V <sub>OH</sub> = 12 V						50						μA
			V <sub>OH</sub> = MAX			250			250			1000			
V <sub>OL</sub> Low-level output voltage	2	V <sub>CC</sub> = MIN, V <sub>I</sub> = ▲	I <sub>OL</sub> = 16 mA			0.4			0.4			0.4			V
			I <sub>OL</sub> = MAX			0.7			0.7			0.4			
I <sub>I</sub> Input current at maximum input voltage	4	V <sub>CC</sub> = MAX, V <sub>I</sub> = 5.5 V	1			1			1			1			mA
I <sub>IH</sub> High-level input current	4	V <sub>CC</sub> = MAX, V <sub>IH</sub> = 2.4 V	40			40			40			40			μA
I <sub>IL</sub> Low-level input current	5	V <sub>CC</sub> = MAX, V <sub>IL</sub> = 0.4 V	-1.6			-1.6			-1.6			-1.6			mA
I <sub>CC</sub> Supply current	7	V <sub>CC</sub> = MAX	See table on next page												mA

† For conditions shown as MIN or MAX, use the appropriate value specified under recommended operating conditions.

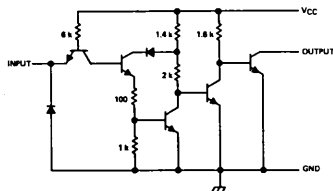
▲ The input voltage is V<sub>IH</sub> = 2 V or V<sub>IL</sub> = V<sub>IL</sub> max, as appropriate. See tables with test figures 1 and 2.

supply current<sup>†</sup>

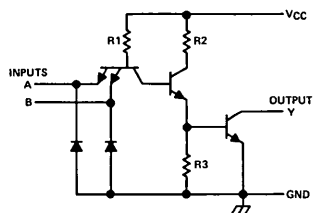
TYPE	I <sub>CCH</sub> (mA) Total with outputs high		I <sub>CCL</sub> (mA) Total with outputs low		I <sub>CC</sub> (mA) Average per gate (50% duty cycle)
	TYP	MAX	TYP	MAX	TYP
'06, '16	30	48	32	51	5.17
'07, '17	29	41	21	30	4.17
'26	4	8	12	22	2.00
'33	12	21	33	57	5.63
'38	5	8.5	34	54	4.88

<sup>†</sup>Maximum values of I<sub>CC</sub> shown are over the recommended operating ranges of V<sub>CC</sub> and T<sub>A</sub>; typical values are at V<sub>CC</sub> = 5 V, T<sub>A</sub> = 25°C.

## schematics (each gate)



'06, '16 CIRCUITS



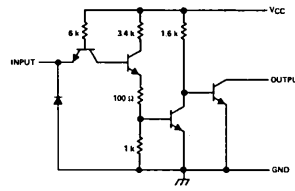
CIRCUITS	R1	R2	R3
'26	4 kΩ	1.6 kΩ	1 kΩ
'38	4 kΩ	600 Ω	400 Ω

'26, '38 CIRCUITS

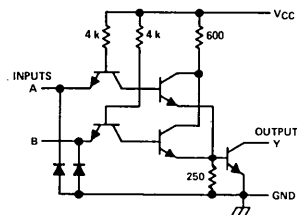
switching characteristics, V<sub>CC</sub> = 5 V, T<sub>A</sub> = 25°C

TYPE	TEST CONDITIONS#	t <sub>PLH</sub> (ns) Propagation delay time, low-to-high-level output		t <sub>PHL</sub> (ns) Propagation delay time, high-to-low-level output	
		TYP	MAX	TYP	MAX
'06, '16	C <sub>L</sub> = 15 pF, R <sub>L</sub> = 110 Ω	10	15	15	23
'07, '17		6	10	20	30
'26	C <sub>L</sub> = 15 pF, R <sub>L</sub> = 1 kΩ	16	24	11	17
'33	C <sub>L</sub> = 50 pF, R <sub>L</sub> = 133 Ω	10	15	12	18
	C <sub>L</sub> = 150 pF, R <sub>L</sub> = 133 Ω	15	22	16	24
'38	C <sub>L</sub> = 45 pF, R <sub>L</sub> = 133 Ω	14	22	11	18

#Load circuit and voltage waveforms are shown on page 3-10.



'07, '17 CIRCUITS



'33 CIRCUITS



**recommended operating conditions**

	54 FAMILY 74 FAMILY	SERIES 54LS' SERIES 74LS'									SERIES 54S' SERIES 74S'			UNIT
		'LS26			'LS33			'LS38			'S38			
		MIN	NOM	MAX	MIN	NOM	MAX	MIN	NOM	MAX	MIN	NOM	MAX	
Supply voltage, $V_{CC}$	54 Family 74 Family	4.5	5	5.5	4.5	5	5.5	4.5	5	5.5	4.5	5	5.5	V
High-level output voltage, $V_{OH}$		15			5.5			5.5			5.5			V
Low-level output current, $I_{OL}$	54 Family	4			12			12			60			mA
	74 Family	8			24			24			60			
Operating free-air temperature, $T_A$	54 Family	-55			125			-55			125			°C
	74 Family	0			70			0			70			

**electrical characteristics over recommended operating free-air temperature range (unless otherwise noted)**

PARAMETER	TEST FIGURE	TEST CONDITIONS†	SERIES 54LS' SERIES 74LS'									SERIES 54S' SERIES 74S'			UNIT
			'LS26			'LS33			'LS38			'S38			
			MIN	TYP‡	MAX	MIN	TYP‡	MAX	MIN	TYP‡	MAX	MIN	TYP‡	MAX	
$V_{IH}$ High-level input voltage	1, 2		2			2			2			2			V
$V_{IL}$ Low-level input voltage	1, 2	54 Family	0.7			0.7			0.7			0.8			V
			74 Family	0.8			0.8			0.8			0.8		
$V_{IK}$ Input clamp voltage	3	$V_{CC} = \text{MIN}, I_I = -18 \text{ mA}$	-1.5			-1.5			-1.5			-1.2			V
$I_{OH}$ High-level output current	1	$V_{CC} = \text{MIN}, V_I = \blacktriangle$	$V_{OH} = 12 \text{ V}$			50									$\mu\text{A}$
			$V_{OH} = \text{MAX}$			1000			250			250			
$V_{OL}$ Low-level output voltage	2	$V_{CC} = \text{MIN}, V_I = \blacktriangle$	$I_{OL} = \text{MAX}$		54 Family		0.25		0.4		0.25		0.4		V
			$I_{OL} = 4 \text{ mA}$		74 Family		0.35		0.5		0.35		0.5		
			$I_{OL} = 12 \text{ mA}$		Series 74LS'		0.25		0.4						
$I_I$ Input current at maximum input voltage	4	$V_{CC} = \text{MAX}$	$V_I = 5.5 \text{ V}$										1	mA	
			$V_I = 7 \text{ V}$		0.1		0.1		0.1						
$I_{IH}$ High-level input current	4	$V_{CC} = \text{MAX}$	$V_{IH} = 2.7 \text{ V}$		20		20		20		100		$\mu\text{A}$		
$I_{IL}$ Low-level input current	5	$V_{CC} = \text{MAX}$	$V_{IL} = 0.4 \text{ V}$		-0.4		-0.4		-0.4				mA		
			$V_{IL} = 0.5 \text{ V}$								-4				
$I_{CC}$ Supply current	7	$V_{CC} = \text{MAX}$											See table on next page	mA	

† For conditions shown as MIN or MAX, use the appropriate value specified under recommended operating conditions.

‡ All typical values are at  $V_{CC} = 5 \text{ V}, T_A = 25^\circ\text{C}$ .

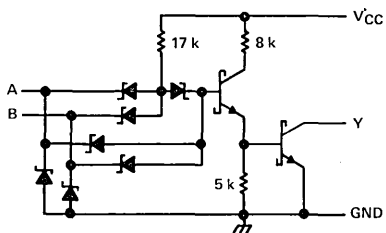
▲ The input voltage is  $V_{IH} = 2 \text{ V}$  or  $V_{IL} = V_{IL \text{ max}}$ , as appropriate. See tables with test figures 1 and 2.

supply current<sup>¶</sup>

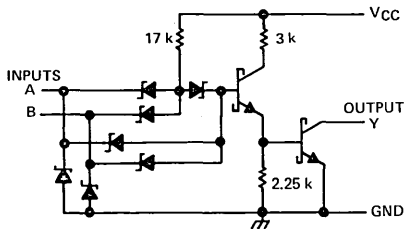
TYPE	I <sub>CC</sub> H (mA) Total with outputs high		I <sub>CC</sub> L (mA) Total with outputs low		I <sub>CC</sub> (mA) Average per gate (50% duty cycle)
	TYP	MAX	TYP	MAX	TYP
'LS26	0.8	1.6	2.4	4.4	0.4
'LS33	1.8	3.6	6.9	13.8	1.09
'LS38	0.9	2	6	12	0.86
'S38	20	36	46	80	8.25

<sup>¶</sup>Maximum values of I<sub>CC</sub> shown are over the recommended operating ranges of V<sub>CC</sub> and T<sub>A</sub>; typical values are at V<sub>CC</sub> = 5 V, T<sub>A</sub> = 25°C.

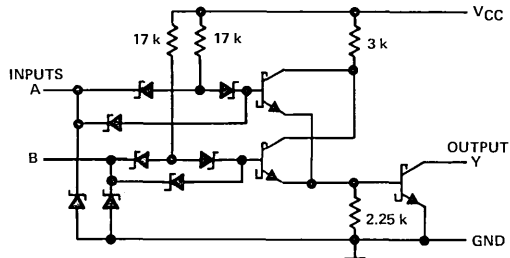
## schematics (each gate)



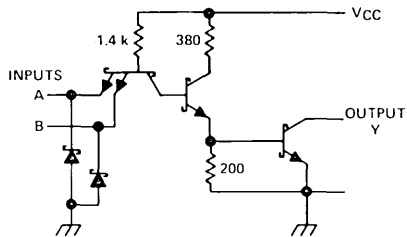
'LS26 CIRCUITS



'LS38 CIRCUITS



'LS33 CIRCUITS



'S38 CIRCUITS

switching characteristics, V<sub>CC</sub> = 5 V, T<sub>A</sub> = 25°C

TYPE	TEST CONDITIONS#	t <sub>PLH</sub> (ns) Propagation delay time, low-to-high-level output		t <sub>PHL</sub> (ns) Propagation delay time, high-to-low-level output		
		TYP	MAX	TYP	MAX	
'LS26	C <sub>L</sub> = 15 pF, R <sub>L</sub> = 2 kΩ	17	32	15	28	
'LS33	C <sub>L</sub> = 45 pF, R <sub>L</sub> = 667 Ω	20	32	18	28	
'LS38		20	32	18	28	
'S38	R <sub>L</sub> = 93 Ω	C <sub>L</sub> = 50 pF	6.5	10	6.5	10
		C <sub>L</sub> = 150 pF	9		8.5	

#Load circuit and voltage waveforms are shown on pages 3-10 and 3-11.

recommended operating conditions

	54 FAMILY 74 FAMILY	SERIES 54 SERIES 74			SERIES 54LS SERIES 74LS			SERIES 54S SERIES 74S			UNIT
		'32			'LS32			'S32			
		MIN	NOM	MAX	MIN	NOM	MAX	MIN	NOM	MAX	
Supply voltage, $V_{CC}$	54 Family 74 Family	4.5 4.75	5 5	5.5 5.25	4.5 4.75	5 5	5.5 5.25	4.5 4.75	5 5	5.5 5.25	V
High-level output current, $I_{OH}$				-800			-400			-1000	$\mu$ A
Low-level output current, $I_{OL}$	54 Family			16			4			20	mA
	74 Family			16			8			20	
Operating free-air temperature, $T_A$	54 Family	-55		125	-55		125	-55		125	$^{\circ}$ C
	74 Family	0		70	0		70	0		70	

electrical characteristics over recommended free-air temperature range (unless otherwise noted)

PARAMETER	TEST FIGURE	TEST CONDITIONS†	SERIES 54 SERIES 74			SERIES 54LS SERIES 74LS			SERIES 54S SERIES 74S			UNIT
			'32			'LS32			'S32			
			MIN	TYP‡	MAX	MIN	TYP‡	MAX	MIN	TYP‡	MAX	
$V_{IH}$ High-level input voltage	1, 2			2		2		2			V	
$V_{IL}$ Low-level input voltage	1, 2	54 Family								0.8	V	
			74 Family							0.8		
$V_{IK}$ Input clamp voltage	3	$V_{CC} = \text{MIN}, I_I = \S$			-1.5			-1.5		-1.2	V	
$V_{OH}$ High-level output voltage	1	$V_{CC} = \text{MIN}, I_{OH} = \text{MAX}, V_{IH} = 2 \text{ V}$	54 Family	2.4	3.4	2.5	3.4	2.5	3.4			V
			74 Family	2.4	3.4	2.7	3.4	2.7	3.4			
$V_{OL}$ Low-level output voltage	2	$V_{CC} = \text{MIN}, V_{IL} = V_{IL \text{ max}}, I_{OL} = \text{MAX}, I_{OL} = 4 \text{ mA}$	54 Family		0.2	0.4	0.25	0.4			0.5	V
			74 Family		0.2	0.4	0.35	0.5			0.5	
			Series 74LS				0.25	0.4				
$I_I$ Input current at maximum input voltage	4	$V_{CC} = \text{MAX}$				1					mA	
								0.1				
$I_{IH}$ High-level input current	4	$V_{CC} = \text{MAX}$									$\mu$ A	
						40						
$I_{IL}$ Low-level input current	5	$V_{CC} = \text{MAX}$						20			mA	
						-1.6		-0.4				
$I_{OS}$ Short-circuit output current*	6	$V_{CC} = \text{MAX}$	54 Family	-20	-55	-20	-100	-40	-100		mA	
			74 Family	-18	-55	-20	-100	-40	-100			
$I_{CC}$ Supply current	7	$V_{CC} = \text{MAX}, V_{CC} = 5 \text{ V}, 50\% \text{ duty cycle}$	Total, outputs high		15	22	3.1	6.2	18	32	mA	
			Total, outputs low		23	38	4.9	9.8	38	68		
			Average per gate		4.75		1.0		7			

†For conditions shown as MIN or MAX, use the appropriate value specified under recommended operating conditions.

‡All typical values are at  $V_{CC} = 5 \text{ V}, T_A = 25^{\circ}\text{C}$ .

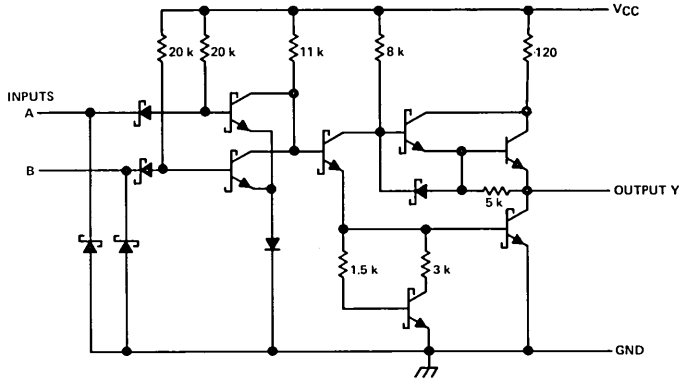
§ $I_I = -12 \text{ mA}$  for SN54'/SN74' and  $-18 \text{ mA}$  for SN54LS'/SN74LS' and SN54S'/SN74S'.

\*Not more than one output should be shorted at a time, and for SN54LS'/SN74LS' and SN54S'/SN74S', duration of the short-circuit should be less than one second.

switching characteristics at  $V_{CC} = 5\text{ V}$ ,  $T_A = 25^\circ\text{C}$

TYPE	TEST CONDITIONS#	$t_{PLH}$ (ns)			$t_{PHL}$ (ns)		
		MIN	TYP	MAX	MIN	TYP	MAX
'32	$C_L = 15\text{ pF}$ , $R_L = 400\ \Omega$	10	15		14	22	
'LS32	$C_L = 15\text{ pF}$ , $R_L = 2\text{ k}\Omega$	14	22		14	22	
'S32	$C_L = 15\text{ pF}$ , $R_L = 280\ \Omega$	4	7		4	7	
	$C_L = 50\text{ pF}$ , $R_L = 280\ \Omega$	5			5		

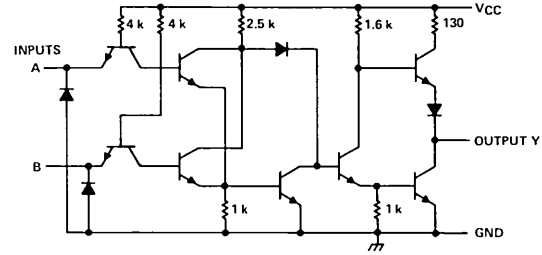
#Load circuit and voltage waveforms are shown on pages 3-10 and 3-11.



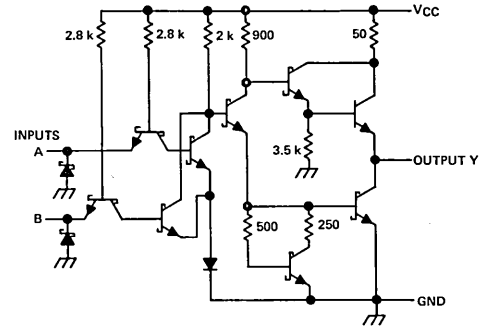
'LS32 CIRCUITS

Resistor values shown are nominal and in ohms.

schematics (each gate)



'32 CIRCUITS



'S32 CIRCUITS

POSITIVE-OR GATES WITH TOTEM-POLE OUTPUTS

recommended operating conditions

	54 FAMILY 74 FAMILY	SERIES 54 SERIES 74			SERIES 54H SERIES 74H			SERIES 54L SERIES 74L			SERIES 54LS SERIES 74LS			SERIES 54S SERIES 74S			UNIT			
		'51, '54			'H51, 'H54			'L51, 'L54, 'L55			'LS51, 'LS54, 'LS55			'S51, 'S64						
		MIN	NOM	MAX	MIN	NOM	MAX	MIN	NOM	MAX	MIN	NOM	MAX	MIN	NOM	MAX				
Supply voltage, V <sub>CC</sub>	54 Family 74 Family	4.5	5	5.5	4.5	5	5.5	4.5	5	5.5	4.5	5	5.5	4.5	5	5.5	V			
High-level output current, I <sub>OH</sub>	54 Family 74 Family	-400			-500			-100			-400			-1000			μA			
Low-level output current, I <sub>OL</sub>	54 Family 74 Family	16			20			2			8			20			mA			
Operating free-air temperature, T <sub>A</sub>	54 Family 74 Family	-55			125			-55			125			-55			125			°C

electrical characteristics over recommended operating free-air temperature range (unless otherwise noted)

PARAMETER	TEST FIGURE	TEST CONDITIONS†	SERIES 54 SERIES 74			SERIES 54H SERIES 74H			SERIES 54L SERIES 74L			SERIES 54LS SERIES 74LS			SERIES 54S SERIES 74S			UNIT
			'51, '54			'H51, 'H54			'L51, 'L54, 'L55			'LS51, 'LS54, 'LS55			'S51, 'S64			
			MIN	TYP‡	MAX	MIN	TYP‡	MAX	MIN	TYP‡	MAX	MIN	TYP‡	MAX	MIN	TYP‡	MAX	
V <sub>IH</sub> High-level input voltage	1, 2		2			2			2			2			2			V
V <sub>IL</sub> Low-level input voltage	1, 2		0.8			0.8			0.7			0.7			0.8			V
V <sub>IK</sub> Input clamp voltage	3	V <sub>CC</sub> = MIN, I <sub>I</sub> = §	-1.5			-1.5						-1.5			-1.2			V
V <sub>OH</sub> High-level output voltage	1	V <sub>CC</sub> = MIN, V <sub>IL</sub> = V <sub>IL</sub> max, I <sub>OH</sub> = MAX	54 Family	2.4	3.4	2.4	3.4	2.4	3.3	2.5	3.4	2.5	3.4	2.5	3.4		V	
V <sub>OL</sub> Low-level output voltage	2	V <sub>CC</sub> = MIN, V <sub>IH</sub> = 2 V, I <sub>OL</sub> = MAX	54 Family	0.2	0.4	0.2	0.4	0.15	0.3	0.25	0.4	0.5	0.5	0.5	0.5		V	
I <sub>I</sub> Input current at maximum input voltage	4	V <sub>CC</sub> = MAX, V <sub>I</sub> = 5.5 V, V <sub>I</sub> = 7 V	1			1			0.1			0.1			1			mA
I <sub>IH</sub> High-level input current	4	V <sub>CC</sub> = MAX, V <sub>IH</sub> = 2.4 V, V <sub>IH</sub> = 2.7 V	40			50			10			20			50			μA
I <sub>IL</sub> Low-level input current	5	V <sub>CC</sub> = MAX, V <sub>IL</sub> = 0.3 V, V <sub>IL</sub> = 0.4 V, V <sub>IL</sub> = 0.5 V	-1.6			-2			-0.18			-0.4			-2			mA
I <sub>OS</sub> Short-circuit output current*	6	V <sub>CC</sub> = MAX	54 Family	-20	-55	-40	-100	-3	-15	-20	-100	-40	-100	-40	-100		mA	
I <sub>CC</sub> Supply current	7	V <sub>CC</sub> = MAX	74 Family	-18	-55	-40	-100	-3	-15	-20	-100	-40	-100	-40	-100		mA	

† For conditions shown as MIN or MAX, use the appropriate value specified under recommended operating conditions.

‡ All typical values are at V<sub>CC</sub> = 5 V, T<sub>A</sub> = 25°C.

§ I<sub>I</sub> = -12 mA for SN54'/SN74', -8 mA for SN54H'/SN74H', and -18 mA for SN54LS'/SN74LS' and SN54S'/SN74S'.

\* Not more than one output should be shorted at a time, and for SN54LS'/SN74LS', SN54H'/SN74H', and SN54S'/SN74S', duration of the short-circuit should not exceed one second.

supply current<sup>†</sup>

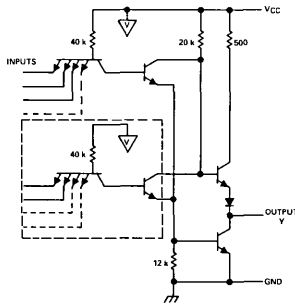
TYPE	$I_{CCH}$ (mA)		$I_{CCL}$ (mA)		$I_{CC}$ (mA)
	Total with outputs high		Total with outputs low		Average per AOI gate (50% duty cycle)
	TYP	MAX	TYP	MAX	TYP
'S1	4	8	7.4	14	2.85
'S4	4	8	5.1	9.5	4.55
'H51	8.2	12.8	15.2	24	5.85
'H54	7.1	11	9.4	14	8.25
'L51	0.44	0.8	0.76	1.3	0.30
'L54	0.39	0.8	0.60	0.99	0.50
'L55	0.22	0.4	0.38	0.65	0.30
'LS51	0.8	1.6	1.4	2.8	0.55
'LS54	0.8	1.6	1.0	2	0.9
'LS55	0.4	0.8	0.7	1.3	0.55
'S51	8.2	17.8	13.6	22	5.45
'S64	7	12.5	8.5	16	7.75

<sup>†</sup> Maximum values of  $I_{CC}$  are over the recommended operating ranges of  $V_{CC}$  and  $T_A$ ; typical values are at  $V_{CC} = 5$  V,  $T_A = 25^\circ$  C.

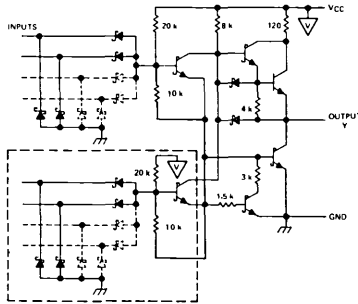
## schematics (each gate)

The portion of the circuits within the dashed lines is repeated (with as many emitters or input diodes as applicable) for each additional AND section.

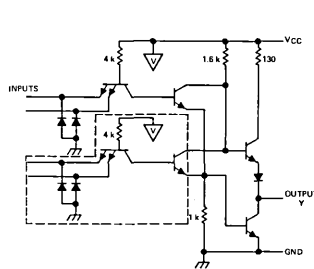
Resistor values shown are nominal and in ohms.



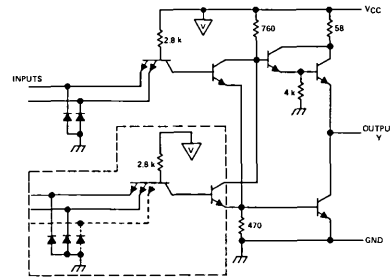
'L51, 'L54, 'L55 CIRCUITS



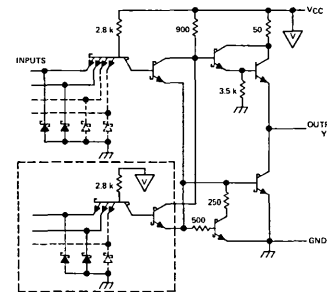
'LS51, 'LS54, 'LS55 CIRCUITS



'51, '54 CIRCUITS



'H51, 'H54 CIRCUITS



'S51, 'S64 CIRCUITS

switching characteristics at  $V_{CC} = 5$  V,  $T_A = 25^\circ$  C

TYPE	TEST CONDITIONS#	$t_{PLH}$ (ns)			$t_{PHL}$ (ns)		
		Propagation delay time, low-to-high-level output			Propagation delay time, high-to-low-level output		
		MIN	TYP	MAX	MIN	TYP	MAX
'51, '54	$C_L = 15$ pF, $R_L = 400 \Omega$	13	22	8	15		
'H51	$C_L = 25$ pF, $R_L = 280 \Omega$	6.8	11	6.2	11		
'H54	$C_L = 25$ pF, $R_L = 280 \Omega$	7	11	6.2	11		
'L51, 'L54, 'L55	$C_L = 50$ pF, $R_L = 4$ k $\Omega$	50	90	35	60		
'LS51, 'LS55	$C_L = 15$ pF, $R_L = 2$ k $\Omega$	12	20	12.5	20		
'LS54	$C_L = 15$ pF, $R_L = 2$ k $\Omega$	12	20	12.5	20		
'S51, 'S64	$C_L = 15$ pF, $R_L = 280 \Omega$	3.5	5.5	3.5	5.5		
	$C_L = 50$ pF, $R_L = 280 \Omega$	5		5.5			

#Load circuit and voltage waveforms are shown on pages 3-10 and 3-11.

AND-OR-INVERT GATES WITH TOTEM-POLE OUTPUTS

## recommended operating conditions

	SN54S65			SN74S65			UNIT
	MIN	NOM	MAX	MIN	NOM	MAX	
Supply voltage, $V_{CC}$	4.5	5	5.5	4.75	5	5.25	V
High-level output voltage, $V_{OH}$			5.5			5.5	V
Low-level output current, $I_{OL}$			20			20	mA
Operating free-air temperature, $T_A$	-55		125	0		70	$^{\circ}$ C

electrical characteristics over operating free-air temperature range  
(unless otherwise noted)

PARAMETER	TEST FIGURE	TEST CONDITIONS†	'S65			UNIT
			MIN	TYP‡	MAX	
$V_{IH}$ High-level input voltage	1, 2		2			V
$V_{IL}$ Low-level input voltage	1, 2					0.8 V
$V_{IK}$ Input clamp voltage	3	$V_{CC} = \text{MIN}$ , $I_I = -18 \text{ mA}$				-1.2 V
$I_{OH}$ High-level output current	1	$V_{CC} = \text{MIN}$ , $V_{IH} = 0.8 \text{ V}$ , $V_{OH} = 5.5 \text{ V}$				250 $\mu$ A
$V_{OL}$ Low-level output voltage	2	$V_{CC} = \text{MIN}$ , $V_{IL} = 2 \text{ V}$ , $I_{OL} = 20 \text{ mA}$				0.5 V
$I_I$ Input current at maximum input voltage	4	$V_{CC} = \text{MAX}$ , $V_I = 5.5 \text{ V}$				1 mA
$I_{IH}$ High-level input current	4	$V_{CC} = \text{MAX}$ , $V_I = 2.7 \text{ V}$				50 $\mu$ A
$I_{IL}$ Low-level input current	5	$V_{CC} = \text{MAX}$ , $V_I = 0.5 \text{ V}$				-2 mA
$I_{CCH}$ Supply current, output high	7	$V_{CC} = \text{MAX}$				6 11 mA
$I_{CCL}$ Supply current, output low	7	$V_{CC} = \text{MAX}$				8.5 16 mA

† For conditions shown as MIN or MAX, use the appropriate value specified under recommended operating conditions.

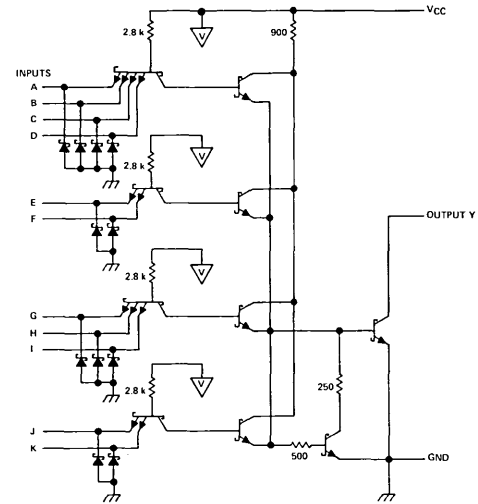
‡ All typical values are at  $V_{CC} = 5 \text{ V}$ ,  $T_A = 25^{\circ}\text{C}$ .

switching characteristics,  $V_{CC} = 5 \text{ V}$ ,  $T_A = 25^{\circ}\text{C}$ 

PARAMETER	TEST CONDITIONS#	'S65			UNIT
		MIN	TYP	MAX	
$t_{PLH}$ Propagation delay time, low-to-high-level output	$C_L = 15 \text{ pF}$ , $R_L = 280 \Omega$	2	5	7.5	ns
	$C_L = 50 \text{ pF}$ , $R_L = 280 \Omega$	8			ns
$t_{PHL}$ Propagation delay time, high-to-low-level output	$C_L = 15 \text{ pF}$ , $R_L = 280 \Omega$	2	5.5	8.5	ns
	$C_L = 50 \text{ pF}$ , $R_L = 280 \Omega$	6.5			ns

# Load circuit and voltage waveforms are shown on page 3-10.

## schematic



Resistor values shown are nominal and in ohms.

AND-OR-INVERT GATES WITH OPEN-COLLECTOR OUTPUTS

## recommended operating conditions

	54 FAMILY 74 FAMILY	SERIES 54 SERIES 74			SERIES 54LS SERIES 74LS			SERIES 54S SERIES 74S			UNIT
		'125, '126, '425, '426			'LS125A, 'LS126A			'S134			
		MIN	NOM	MAX	MIN	NOM	MAX	MIN	NOM	MAX	
Supply voltage, $V_{CC}$	54 Family 74 Family	4.5 4.75	5 5	5.5 5.25	4.5 4.75	5 5	5.5 5.25	4.5 4.75	5 5	5.5 5.25	V
High-level output current, $I_{OH}$	54 Family 74 Family			-2 -5.2			-1 -2.6			-2 -6.5	mA
Low-level output current, $I_{OL}$	54 Family 74 Family			16 16			12 24			20 20	mA
Operating free-air temperature, $T_A$	54 Family 74 Family	-55 0		125 70	-55 0		125 70	-55 0		125 70	°C

## electrical characteristics over recommended operating free-air temperature range (unless otherwise noted)

PARAMETER	TEST FIGURE	TEST CONDITIONS†	SERIES 54 SERIES 74			SERIES 54LS SERIES 74LS			SERIES 54S SERIES 74S			UNIT
			'125, '126, '425, '426			'LS125A, 'LS126A			'S134			
			MIN	TYP‡	MAX	MIN	TYP‡	MAX	MIN	TYP‡	MAX	
$V_{IH}$ High-level input voltage	1, 2			2			2			2	V	
$V_{IL}$ Low-level input voltage	1, 2		54 Family 74 Family		0.8 0.8		0.7 0.8			0.8 0.8	V	
$V_{IK}$ Input clamp voltage	3	$V_{CC} = \text{MIN}$ , $I_I = \S$			-1.5		-1.5			-1.2	V	
$V_{OH}$ High-level output voltage	1	$V_{CC} = \text{MIN}$ , $V_{IL} = V_{IL \text{ max}}$ , $I_{OH} = \text{MAX}$	54 Family 74 Family	2.4 2.4	3.3 3.1	2.4 2.4	2.4 3.4	3.2			V	
$V_{OL}$ Low-level output voltage	2	$V_{CC} = \text{MIN}$ , $V_{IH} = 2 \text{ V}$ , $V_{IL} = V_{IL \text{ max}}$ $I_{OL} = \text{MAX}$ $I_{OL} = 12 \text{ mA}$	54 Family 74 Family Series 74LS		0.4 0.4	0.25 0.35	0.4 0.5	0.5		0.5	V	
$I_{OZ}$ Off-state (high-impedance state) output current	19	$V_{CC} = \text{MAX}$ , $V_{IH} = 2 \text{ V}$ , $V_{IL} = V_{IL \text{ max}}$		$V_O = 2.4 \text{ V}$ $V_O = 0.4 \text{ V}$ $V_O = 0.5 \text{ V}$	40 -40		20 -20			50 -50	µA	
$I_I$ Input current at maximum input voltage	4	$V_{CC} = \text{MAX}$		$V_I = 5.5 \text{ V}$ $V_I = 7 \text{ V}$	1		0.1			1	mA	
$I_{IH}$ High-level input current	4	$V_{CC} = \text{MAX}$		$V_{IH} = 2.4 \text{ V}$ $V_{IH} = 2.7 \text{ V}$	40		20			50	µA	
$I_{IL}$ Low-level input current	5	$V_{CC} = \text{MAX}$		$V_{IL} = 0.4 \text{ V}$ $V_{IL} = 0.5 \text{ V}$	-1.6		0.4			-2	mA	
$I_{OS}$ Short-circuit output current*	6	$V_{CC} = \text{MAX}$	54 Family 74 Family	-30 -28	-70 -70	-40 -40	-225 -40	-40 -40		-100 -100	mA	
$I_{CC}$ Supply current	7	$V_{CC} = \text{MAX}$									mA	

† For conditions shown as MIN or MAX, use the appropriate value specified under recommended operating conditions.

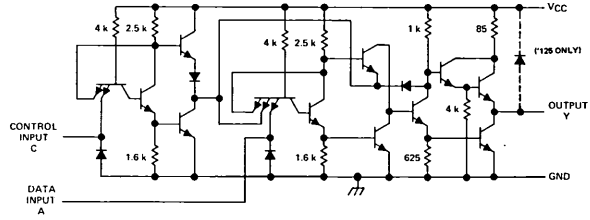
‡ All typical values are at  $V_{CC} = 5 \text{ V}$ ,  $T_A = 25^\circ \text{C}$ .

§  $I_I = -12 \text{ mA}$  for SN54'/SN74' and  $-18 \text{ mA}$  for SN54LS'/SN74LS' and SN54S'/SN74S'.

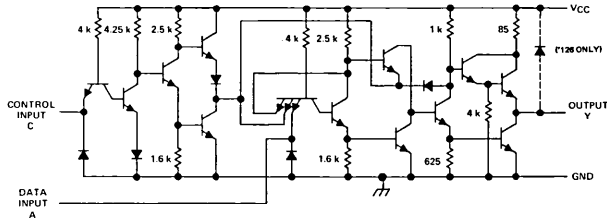
\* Not more than one output should be shorted at a time, and for SN54LS'/SN74LS' and SN54S'/SN74S', duration of the short circuit should not exceed one second.



schematics (each gate)



'125, '425 CIRCUITS



'126, '426 CIRCUITS

Resistor values shown are nominal and in ohms.

supply current<sup>¶</sup>

TYPE	TEST CONDITIONS		I <sub>CC</sub> (mA)		
	DATA INPUTS	OUTPUT CONTROLS	MIN	TYP	MAX
'125, '425	0 V	4.5 V	32	54	
'126, '426	0 V	0 V	36	62	
'LS125A	0 V	4.5 V	11	20	
'LS126A	0 V	0 V	12	22	
'S134	0 V	0 V	7	13	
	5 V	0 V	9	16	
	5 V	5 V	14	25	

<sup>¶</sup> Maximum values of I<sub>CC</sub> are over the recommended operating ranges of V<sub>CC</sub> and T<sub>A</sub>; typical values are at V<sub>CC</sub> = 5 V, T<sub>A</sub> = 25°C.

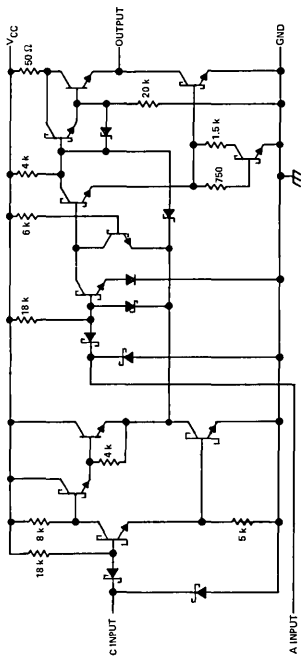
switching characteristics, V<sub>CC</sub> = 5 V, T<sub>A</sub> = 25°C

PARAMETER	SERIES 54/74				SERIES 54LS/74LS				SERIES 54S/74S		UNIT				
	TEST CONDITIONS#	'125, '425		'126, '426		TEST CONDITIONS#	'LS125A		'LS126A						
		TYP	MAX	TYP	MAX		TYP	MAX	TYP	MAX					
t <sub>PLH</sub> Propagation delay time, low-to-high-level output	C <sub>L</sub> = 50 pF, R <sub>L</sub> = 400 Ω	8	13	8	13	C <sub>L</sub> = 45 pF, R <sub>L</sub> = 667 Ω	9	15	9	15	C <sub>L</sub> = 15 pF, R <sub>L</sub> = 280 Ω	4	6	ns	
t <sub>PHL</sub> Propagation delay time, high-to-low-level output		12	18	12	18		7	18	8	18	C <sub>L</sub> = 50 pF, R <sub>L</sub> = 280 Ω	5.5	7.5		ns
t <sub>PZH</sub> Output enable time to high level		11	17	11	18		12	20	16	25	C <sub>L</sub> = 50 pF, R <sub>L</sub> = 280 Ω	13	19.5	ns	
t <sub>PZL</sub> Output enable time to low level		16	25	16	25		15	25	21	35		14	21		
t <sub>PHZ</sub> Output disable time from high level		C <sub>L</sub> = 5 pF, R <sub>L</sub> = 400 Ω	5	8	10		16	C <sub>L</sub> = 5 pF, R <sub>L</sub> = 667 Ω	20	25	25	C <sub>L</sub> = 5 pF, R <sub>L</sub> = 280 Ω	5.5	8.5	ns
t <sub>PLZ</sub> Output disable time from low level	7	12	12	18	20	25	20	25	9	14	9	14	ns		

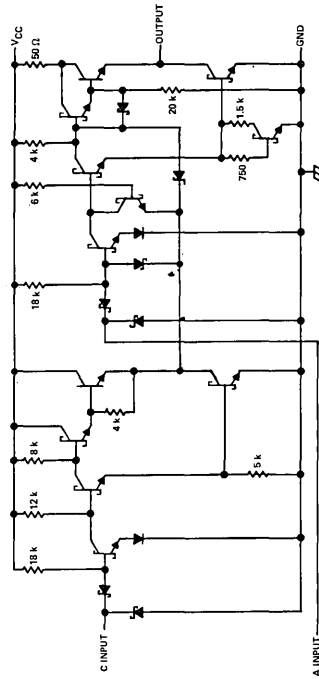
#Load circuit and voltage waveforms are shown on page 3-10 and 3-11.

# GATES WITH 3-STATE OUTPUTS

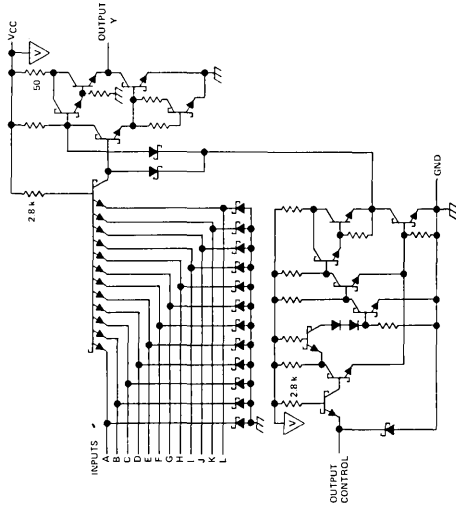
schematics (each gate)



'LS125A CIRCUITS



'LS126A CIRCUITS



'S134 CIRCUITS

Resistor values shown are nominal and in ohms.

recommended operating conditions

		54 FAMILY	SERIES 54 SERIES 74			SERIES 54LS SERIES 74LS			UNIT
		74 FAMILY	'365A, '366A '367A, '368A			'LS365A, 'LS366A 'LS367A, 'LS368A			
			MIN	NOM	MAX	MIN	NOM	MAX	
Supply voltage, V <sub>CC</sub>		54 Family	4.5	5	5.5	4.5	5	5.5	V
		74 Family	4.75	5	5.25	4.75	5	5.25	
High-level output current, I <sub>OH</sub>		54 Family			-2			-1	mA
		74 Family			-5.2			-2.6	
Low-level output current, I <sub>OL</sub>		54 Family			32			12	mA
		74 Family			32			24	
Operating free-air temperature, T <sub>A</sub>		54 Family	-55		125	-55		125	°C
		74 Family	0		70	0		70	

electrical characteristics over recommended operating free-air temperature range (unless otherwise noted)

PARAMETER	TEST FIGURE	TEST CONDITIONS†	SERIES 54 SERIES 74			SERIES 54LS SERIES 74LS			UNIT	
			'365A, '366A '367A, '368A			'LS365A, 'LS366A 'LS367A, 'LS368A				
			MIN	TYP‡	MAX	MIN	TYP‡	MAX		
V <sub>IH</sub>	High-level input voltage	1, 2			2		2		V	
V <sub>IL</sub>	Low-level input voltage	1, 2							V	
V <sub>IK</sub>	Input clamp voltage	3							V	
V <sub>OH</sub>	High-level output voltage	1	V <sub>CC</sub> = MIN, V <sub>IH</sub> = 2 V, V <sub>IL</sub> = V <sub>IL</sub> max, I <sub>OH</sub> = MAX	I <sub>I</sub> = §	54 Family	2.4	3.3	2.4	3.3	V
					74 Family	2.4	3.1	2.4	3.1	
V <sub>OL</sub>	Low-level output voltage	2	V <sub>CC</sub> = MIN, V <sub>IH</sub> = 2 V, V <sub>IL</sub> = V <sub>IL</sub> max	I <sub>OL</sub> = MAX	54 Family		0.4	0.25	0.4	V
				I <sub>OL</sub> = 12 mA	74 Family		0.4	0.35	0.5	
				Series 74LS				0.25	0.4	
I <sub>OZ</sub>	Off-state (high-impedance state) output current	19	V <sub>CC</sub> = MAX, V <sub>IL</sub> = V <sub>IL</sub> max	V <sub>IH</sub> = 2 V, V <sub>O</sub> = 2.4 V V <sub>O</sub> = 0.4 V			40		20	µA
							-40		-20	
I <sub>I</sub>	Input current at maximum input voltage	4	V <sub>CC</sub> = MAX				1			mA
									0.1	
I <sub>IH</sub>	High-level input current	4	V <sub>CC</sub> = MAX				40			µA
									20	
I <sub>IL</sub>	Low-level input current	A inputs	V <sub>CC</sub> = MAX, Either $\bar{G}$ input at 2 V	V <sub>I</sub> = 0.5 V			-40		-20	µA
		$\bar{G}$ inputs	V <sub>CC</sub> = MAX, Both $\bar{G}$ inputs at 0.4 V	V <sub>I</sub> = 0.4 V			-1.6		-0.4	mA
I <sub>OS</sub>	Short-circuit output current*	6	V <sub>CC</sub> = MAX				-40		-225	mA
I <sub>CC</sub>	Supply current	7	V <sub>CC</sub> = MAX							mA

† For conditions shown as MIN or MAX, use the appropriate value specified under recommended operating conditions.

‡ All typical values are at V<sub>CC</sub> = 5 V, T<sub>A</sub> = 25°C.

§ I<sub>I</sub> = -12 mA for SN54/SN74 and -18 mA for SN54LS/SN74LS, SN54S/SN74S.

\* Not more than one output should be shorted at a time, and for SN54LS/SN74LS and SN54S/SN74S, duration of output short-circuit should not exceed one second.

supply current<sup>†</sup>

TYPE	DATA INPUTS	OUTPUT CONTROLS	I <sub>CC</sub> (mA)	
			TYP	MAX
'365A, '367A	0 V	4.5 V	65	85
'366A, '368A	0 V	4.5 V	59	77
'LS365A, 'LS367A	0 V	4.5 V	14	24
'LS366A, 'LS368A	0 V	4.5 V	12	21

<sup>†</sup> Maximum values of I<sub>CC</sub> are over the recommended operating ranges of V<sub>CC</sub> and T<sub>A</sub>; typical values are at V<sub>CC</sub> = 5 V, T<sub>A</sub> = 25°C.

switching characteristics, V<sub>CC</sub> = 5 V, T<sub>A</sub> = 25°C, see note 1

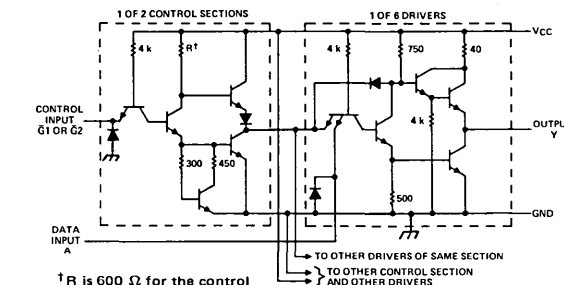
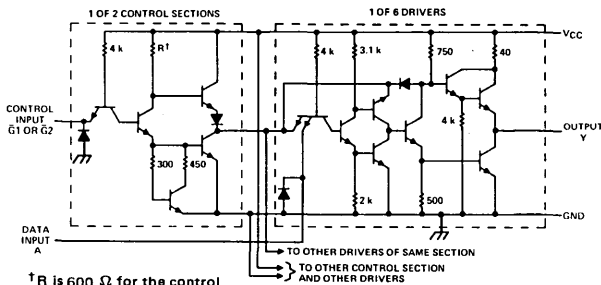
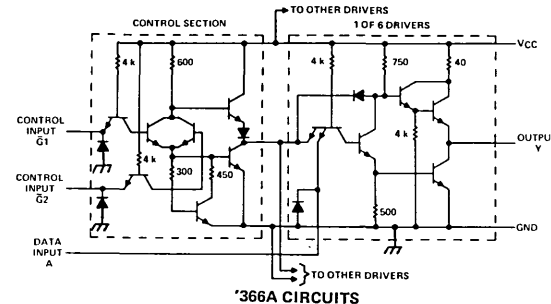
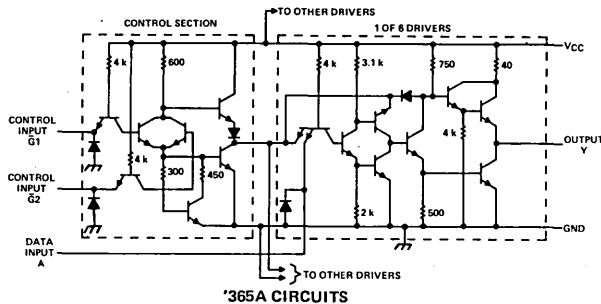
PARAMETER*	TEST CONDITIONS	SERIES 54/74		TEST CONDITIONS	SERIES 54LS/74LS				
		'365A, '367A	'366A, '368A		'LS365A, 'LS367A	'LS366A, 'LS368A	TYP	MAX	TYP
t <sub>PLH</sub>	C <sub>L</sub> = 50 pF, R <sub>L</sub> = 400 Ω	TYP	MAX	TYP	MAX	TYP	MAX	TYP	MAX
t <sub>PHL</sub>		16	17	10	16	7	15		
t <sub>PZH</sub>	C <sub>L</sub> = 45 pF, R <sub>L</sub> = 667 Ω	22	16	9	22	12	18		
t <sub>PZL</sub>		35	35	19	35	18	35		
t <sub>PHZ</sub>	C <sub>L</sub> = 5 pF, R <sub>L</sub> = 400 Ω	37	37	24	40	28	45		
t <sub>PLZ</sub>		11	11	30	30	32			
t <sub>PLZ</sub>	C <sub>L</sub> = 5 pF, R <sub>L</sub> = 667 Ω	27	27	35	35	35			

\*t<sub>PLH</sub> = Propagation delay time, low-to-high-level output  
 t<sub>PHL</sub> = Propagation delay time, high-to-low-level output  
 t<sub>PZH</sub> = Output enable time to high level

t<sub>PZL</sub> = Output enable time to low level  
 t<sub>PHZ</sub> = Output disable time from high level  
 t<sub>PLZ</sub> = Output disable time from low level

NOTE 1: Load circuits and voltage waveforms are shown on pages 3-10 and 3-11.

schematics

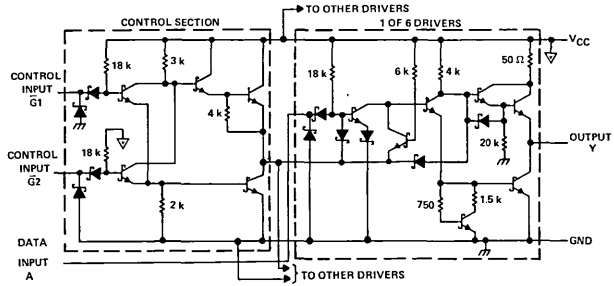


<sup>†</sup> R is 600 Ω for the control section associated with G<sub>1</sub> and 900 Ω for the control section associated with G<sub>2</sub>.

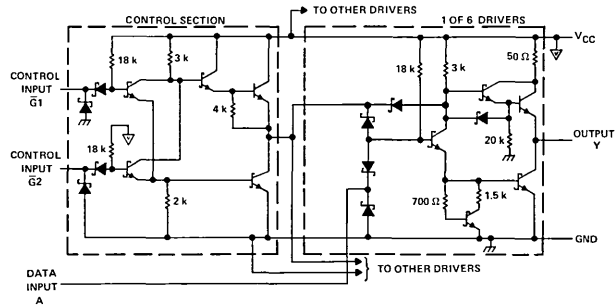
<sup>†</sup> R is 600 Ω for the control section associated with G<sub>1</sub> and 900 Ω for the control section associated with G<sub>2</sub>.

Resistor values shown are nominal and in ohms.

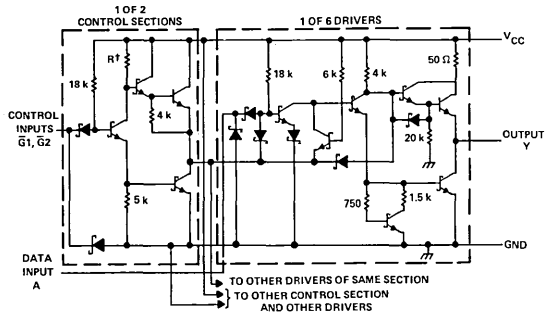
HEX BUS DRIVERS WITH 3-STATE OUTPUTS



'LS365A CIRCUITS

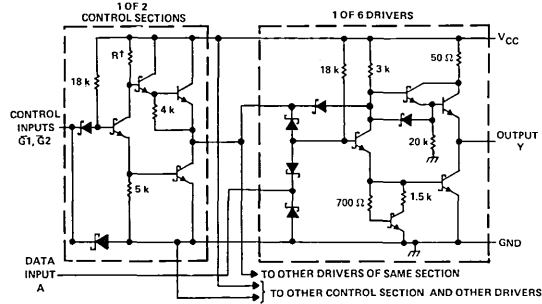


'LS366A CIRCUITS



'LS367A CIRCUITS

†R is 5 kΩ for the control section associated with  $\bar{G}1$  and 8 kΩ for the control section associated with  $\bar{G}2$ .



'LS368A CIRCUITS

†R is 5 kΩ for the control section associated with  $\bar{G}1$  and 8 kΩ for the control section associated with  $\bar{G}2$ .

Resistor values shown are nominal and in ohms

## recommended operating conditions

	54 FAMILY 74 FAMILY	SERIES 54 SERIES 74						SERIES 54H SERIES 74H			UNIT
		'23			'50, '53			'H50, 'H52, 'H53, 'H55			
		MIN	NOM	MAX	MIN	NOM	MAX	MIN	NOM	MAX	
Supply voltage, $V_{CC}$	54 Family 74 Family	4.5	5	5.5	4.5	5	5.5	4.5	5	5.5	V
High-level output current, $I_{OH}$				-800			-400			-500	$\mu$ A
Low-level output current, $I_{OL}$	54 Family 74 Family			16			16			20	mA
Operating free-air temperature range, $T_A$	54 Family 74 Family	-55		125	-55		125	-55		125	$^{\circ}$ C
		0		70	0		70	0		70	

The '23, '50, and '53 are designed for use with up to four '60 expanders.

The 'H50, 'H53, and 'H55 are designed for use with up to four 'H60 expanders or one 'H62 expander.

The 'H52 is designed for use with up to six 'H61 expanders.

## electrical characteristics over recommended operating free-air temperature range (unless otherwise noted)

PARAMETER	TEST FIGURE	TEST CONDITIONS <sup>†</sup>	SERIES 54 SERIES 74						SERIES 54H SERIES 74H			UNIT
			'23			'50, '53			'H50, 'H52, 'H53, 'H55			
			MIN	TYP <sup>‡</sup>	MAX	MIN	TYP <sup>‡</sup>	MAX	MIN	TYP <sup>‡</sup>	MAX	
$V_{IH}$ High-level input voltage	1, 2		2			2			2			V
$V_{IL}$ Low-level input voltage	1, 2		0.8			0.8			0.8			V
$V_{IK}$ Input clamp voltage	3	$V_{CC} = \text{MIN}, I_I = \S$	-1.5			-1.5			-1.5			V
$V_{OH}$ High-level output voltage	1	$V_{CC} = \text{MIN}, V_I = \blacktriangle, I_{OH} = \text{MAX}$	2.4	3.4		2.4	3.4		2.4	3.4		V
$V_{OL}$ Low-level output voltage	2	$V_{CC} = \text{MIN}, V_I = \blacktriangle, I_{OL} = \text{MAX}$	0.2	0.4		0.2	0.4		0.2	0.4		V
$I_I$ Input current at maximum input voltage	4	$V_{CC} = \text{MAX}, V_I = 5.5 \text{ V}$	1			1			1			mA
$I_{IH}$ High-level input current	Data input	$V_{CC} = \text{MAX}, V_{IH} = 2.4 \text{ V}$	40			40			50			$\mu$ A
	Stroke of '23		160									
$I_{IL}$ Low-level input current	Data inputs	$V_{CC} = \text{MAX}, V_{IL} = 0.4 \text{ V}$	-1.6			-1.6			-2			mA
	Stroke of '23		-6.4									
$I_{OS}$ Short-circuit output current <sup>♦</sup>	6	$V_{CC} = \text{MAX}$	54 Family	-20	-55	-20	-55	-40	-100			mA
			74 Family	-18	-55	-18	-55	-40	-100			
$I_{CC}$ Supply current	7	$V_{CC} = \text{MAX}$	See table on next page									mA

<sup>†</sup>For conditions shown as MIN or MAX, use the appropriate value specified under recommended operating conditions.

<sup>‡</sup>All typical values are at  $V_{CC} = 5 \text{ V}, T_A = 25^{\circ}\text{C}$ .

<sup>§</sup> $I_I = -12 \text{ mA}$  for SN54'/SN74' and  $-8 \text{ mA}$  for SN54H'/SN74H'.

<sup>▲</sup>The input voltage is  $V_{IH} = 2 \text{ V}$  or  $V_{IL} = V_{IL \text{ max}}$ , as appropriate. See tables with test figures 1 and 2.

<sup>♦</sup>Not more than one output should be shorted at a time, and for the SN54H'/SN74H', duration of short-circuit should not exceed one second.

electrical characteristics using expander inputs,  $V_{CC} = \text{MIN}$ ,  $T_A = \text{MIN}$  (unless otherwise noted)

TYPE	$I_{\bar{X}}$ (mA) ( $I_X$ for 'H52) Expander current			$V_{BE(Q)}$ (V) Base-emitter voltage of output transistor Q			$V_{OH}$ (V) High-level output voltage			$V_{OL}$ (V) Low-level output voltage				
	TEST CONDITIONS			MIN	TYP <sup>‡</sup>	MAX	TEST CONDITIONS			MIN	TYP <sup>‡</sup>	MAX		
	SN5423	$V_{\bar{X}X} = 0.4 \text{ V}$ ,					-3.5	$I_X + I_{\bar{X}} = 410 \mu\text{A}$ , $R_{\bar{X}X} = 0$ , $I_{OL} = 16 \text{ mA}$ , See Figure 11	1.1	$I_X = 150 \mu\text{A}$ , $I_{\bar{X}} = -150 \mu\text{A}$ , $I_{OH} = -400 \mu\text{A}$ , See Figure 12	2.4	3.4	$I_X + I_{\bar{X}} = 300 \mu\text{A}$ , $R_{\bar{X}X} = 114 \Omega^{\Delta}$ , $I_{OL} = 16 \text{ mA}$ , See Figure 11	0.2
SN5450	$I_{OL} = 16 \text{ mA}$ ,					-2.9								
SN5453	See Figure 10					-2.9								
SN7423	$V_{\bar{X}X} = 0.4 \text{ V}$ ,					-3.8	$I_X + I_{\bar{X}} = 620 \mu\text{A}$ , $R_{\bar{X}X} = 0$ , $I_{OL} = 16 \text{ mA}$ , See Figure 11	1	$I_X = 270 \mu\text{A}$ , $I_{\bar{X}} = -270 \mu\text{A}$ , $I_{OH} = -400 \mu\text{A}$ , See Figure 12	2.4	3.4	$I_X + I_{\bar{X}} = 430 \mu\text{A}$ , $R_{\bar{X}X} = 105 \Omega^{\Delta}$ , $I_{OL} = 16 \text{ mA}$ , See Figure 11	0.2	0.4
SN7450	$I_{OL} = 16 \text{ mA}$ ,					-3.1								
SN7453	See Figure 10					-3.1								
SN54H50, SN54H53, SN54H55	$V_{\bar{X}} = 1.4 \text{ V}$ , $I_X = 0$ , $I_{OL} = 0$ , See Figure 10					-5.85	$I_X + I_{\bar{X}} = 700 \mu\text{A}$ , $R_{\bar{X}X} = 0$ , $I_{OL} = 20 \text{ mA}$ , See Figure 11	1.1	$I_X = 320 \mu\text{A}$ , $I_{\bar{X}} = -320 \mu\text{A}$ , $I_{OH} = -500 \mu\text{A}$ , See Figure 12	2.4	3.4	$I_X + I_{\bar{X}} = 470 \mu\text{A}$ , $R_{\bar{X}X} = 68 \Omega$ , $I_{OL} = 20 \text{ mA}$ , See Figure 11	0.2	0.4
SN74H50, SN74H53, SN74H55	$V_{\bar{X}} = 1.4 \text{ V}$ , $I_X = 0$ , $I_{OL} = 0$ , See Figure 10					-6.3								
SN54H52	$V_X = 1 \text{ V}$ , $I_{OH} = -500 \mu\text{A}$ , See Figure 13			-2.7		-4.5								
SN74H52	See Figure 13			-2.9		-5.35			$V_X = 1 \text{ V}$ , $I_{OH} = -500 \mu\text{A}$ , See Figure 13	2.4	3.4	$I_X = -300 \mu\text{A}$ , $I_{OL} = 20 \text{ mA}$ , $T_A = \text{MAX}$ , See Figure 14	0.2	0.4

<sup>‡</sup>All typical values are at  $V_{CC} = 5 \text{ V}$ ,  $T_A = 25^\circ\text{C}$ .

<sup>Δ</sup> $R_{\bar{X}X}$  equals  $114 \Omega$  for SN5423,  $138 \Omega$  for SN5450 and SN5453,  $105 \Omega$  for SN7423, and  $130 \Omega$  for SN7450 and SN7453.

#### supply current<sup>¶</sup>

TYPE	$I_{CCH}$ (mA) Total with outputs high		$I_{CCL}$ (mA) Total with outputs low		$I_{CC}$ (mA) Average per gate (50% duty cycle)
	TYP	MAX	TYP	MAX	
	'23	8	16	10	19
'50	4	8	7.4	14	2.85
'53	4	8	5.1	9.5	4.55
'H50	8.2	12.8	15.2	24	5.85
'H52	20	31	15.2	24	17.6
'H53	7.1	11	9.4	14	8.25
'H55	4.5	6.4	7.5	12	6.00

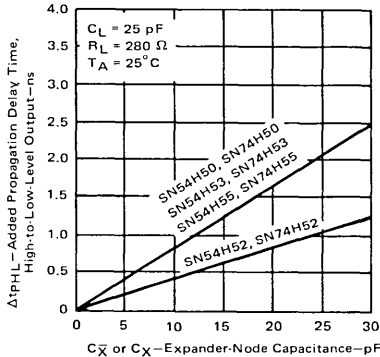
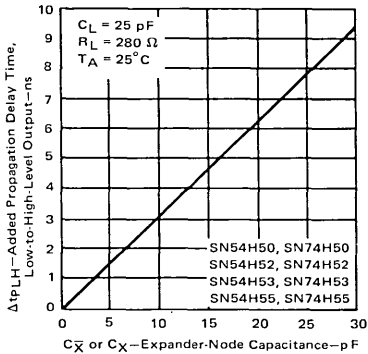
<sup>¶</sup>Maximum values of  $I_{CC}$  are over the recommended operating ranges of  $V_{CC}$  and  $T_A$ ; typical values are at  $V_{CC} = 5 \text{ V}$ ,  $T_A = 25^\circ\text{C}$ .

switching characteristics,  $V_{CC} = 5\text{ V}$ ,  $T_A = 25^\circ\text{C}$

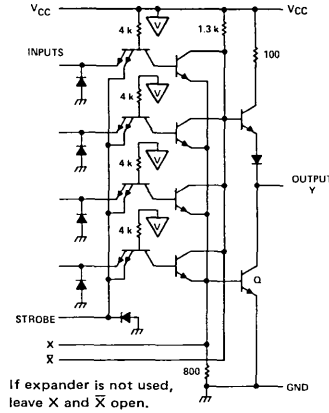
TYPE	TEST CONDITIONS#	$t_{PLH}$ (ns)		$t_{PHL}$ (ns)	
		Propagation delay time, low-to-high-level output		Propagation delay time, high-to-low-level output	
		TYP	MAX	TYP	MAX
'23, '50, '53	$C_L = 15\text{ pF}$ , $R_L = 400\ \Omega$ , Expander pins open	13	22	8	15
'50	$C_L = 15\text{ pF}$ , $R_L = 400\ \Omega$ , From input of '60 expander	15	30	10	20
'H50	$C_L = 25\text{ pF}$ , $R_L = 280\ \Omega$ , Expander pins open	6.8	11	6.2	11
'H52		10.6	15	9.2	15
'H53	$C_L = 25\text{ pF}$ , $R_L = 280\ \Omega$ , Expander pins open	7	11	6.2	11
'H55		7	11	6.5	11
'H50	$C_L = 25\text{ pF}$ , $R_L = 280\ \Omega$ ,	11		7.4	
'H52	$C = 15\text{ pF}$ (GND to $\bar{X}$ of	14.8		9.8	
'H53	'H50, 'H53, or 'H55; or	11.4		7.4	
'H55	to X of 'H52)	11.4		7.7	

#Load circuit and voltage waveforms are shown on page 3-10.

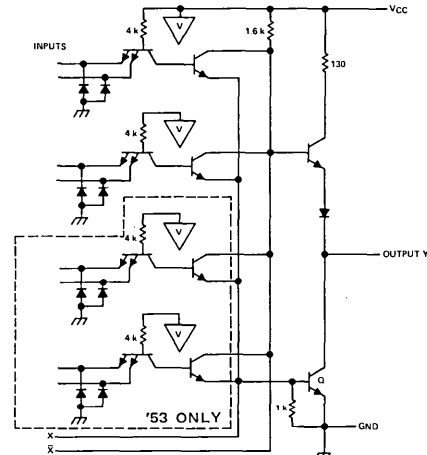
TYPICAL ADDED PROPAGATION DELAY TIME vs EXPANDER-NODE CAPACITANCE



schematics (each gate)



'23 CIRCUITS



'50, '53 CIRCUITS

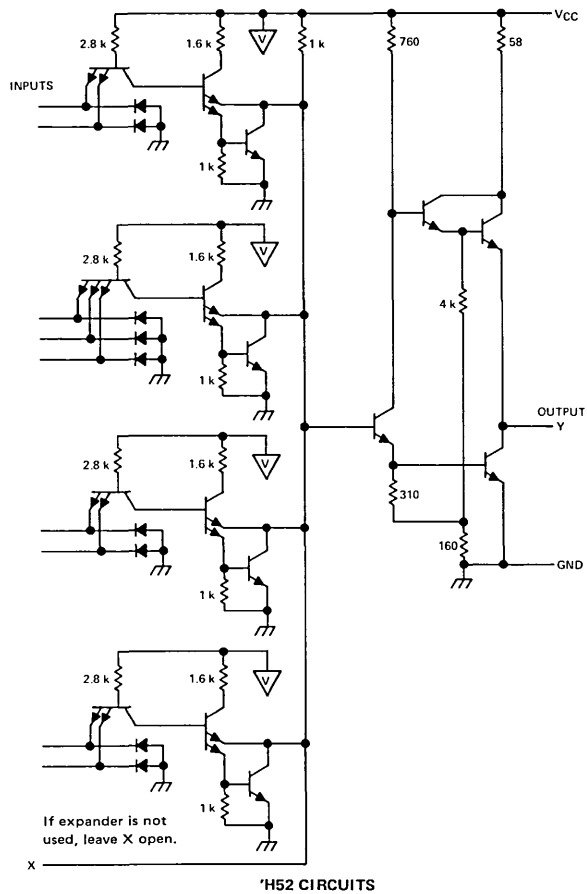
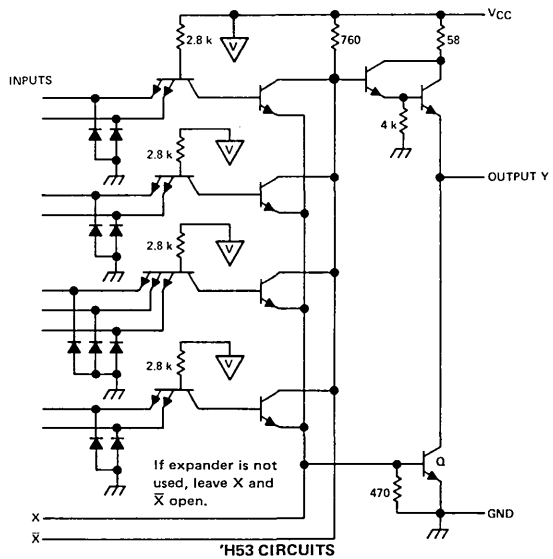
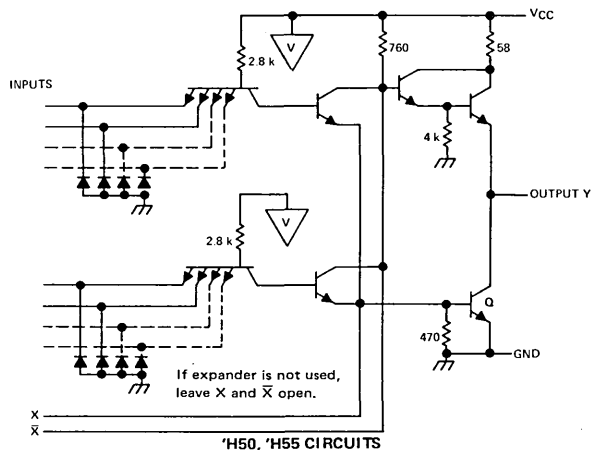
Resistor values shown are nominal and in ohms.

TEXAS INSTRUMENTS  
INCORPORATED  
POST OFFICE BOX 5012 • DALLAS, TEXAS 75222

EXPANDABLE GATES



## EXPANDABLE GATES



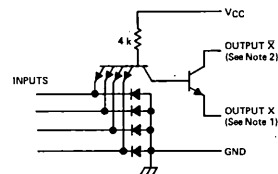
Resistor values shown are nominal and in ohms.

## recommended operating conditions

	SN5460			SN7460			UNIT
	MIN	NOM	MAX	MIN	NOM	MAX	
Supply voltage, $V_{CC}$	4.5	5	5.5	4.75	5	5.25	V
Operating free-air temperature, $T_A$	-55		125	0		70	°C

The '23, '50, and '53 are designed for use with up to four '60 expanders.

## schematic (each gate)



'60 CIRCUITS

- NOTES: 1. Connect to X input of '23, '50, or '53 circuit.  
2. Connect to  $\bar{X}$  input of '23, '50, or '53 circuit.

Resistor value shown is nominal and in ohms.

## electrical characteristics over recommended operating free-air temperature range (unless otherwise noted)

PARAMETER	TEST FIGURE	SN5460			SN7460			UNIT
		TEST CONDITIONS	MIN	TYP <sup>‡</sup> MAX	TEST CONDITIONS	MIN	TYP <sup>‡</sup> MAX	
$V_{IH}$ High-level input voltage	15		2			2	V	
$V_{IL}$ Low-level input voltage	16			0.8		0.8	V	
$V_{\bar{X}(on)}$ On-state voltage between expander outputs	15	$V_{CC} = 4.5\text{ V}, V_{IH} = 2\text{ V}, V_X = 1.1\text{ V}, I_{\bar{X}} = 3.5\text{ mA}, T_A = -55^\circ\text{C}$		0.4	$V_{CC} = 4.75\text{ V}, V_{IH} = 2\text{ V}, V_X = 1\text{ V}, I_{\bar{X}} = 3.8\text{ mA}, T_A = 0^\circ\text{C}$		0.4	V
$I_{X(on)}$ On-state expander current	15	$V_{CC} = 4.5\text{ V}, V_{IH} = 2\text{ V}, V_X = 1.1\text{ V}, I_{\bar{X}} = 0, T_A = -55^\circ\text{C}$	-0.3		$V_{CC} = 4.75\text{ V}, V_{IH} = 2\text{ V}, V_X = 1\text{ V}, I_{\bar{X}} = 0, T_A = 0^\circ\text{C}$	-0.43		mA
$I_{\bar{X}(off)}$ Off-state expander current	16	$V_{CC} = 4.5\text{ V}, V_{IL} = 0.8\text{ V}, V_{\bar{X}} = 4.5\text{ V}, R_X = 1.2\text{ k}\Omega, T_A = -55^\circ\text{C}$		150	$V_{CC} = 4.75\text{ V}, V_{IL} = 0.8\text{ V}, V_{\bar{X}} = 4.5\text{ V}, R_X = 1.2\text{ k}\Omega, T_A = 0^\circ\text{C}$		270	$\mu\text{A}$
$I_I$ Input current at maximum input voltage	4	$V_{CC} = 5.5\text{ V}, V_I = 5.5\text{ V}$		1	$V_{CC} = 5.25\text{ V}, V_I = 5.5\text{ V}$		1	mA
$I_{IH}$ High-level input current	4	$V_{CC} = 5.5\text{ V}, V_I = 2.4\text{ V}$		40	$V_{CC} = 5.25\text{ V}, V_I = 2.4\text{ V}$		40	$\mu\text{A}$
$I_{IL}$ Low-level input current	5	$V_{CC} = 5.5\text{ V}, V_I = 0.4\text{ V}$		-1.6	$V_{CC} = 5.25\text{ V}, V_I = 0.4\text{ V}$		-1.6	mA
$I_{CC(on)}$ Supply current, expander on	7	$V_{CC} = 5.5\text{ V}, V_I = 4.5\text{ V}, V_X = 0.85\text{ V}, I_{\bar{X}} = 0$		1.2 2.5	$V_{CC} = 5.25\text{ V}, V_I = 4.5\text{ V}, V_X = 0.85\text{ V}, I_{\bar{X}} = 0$		1.2 2.5	mA
$I_{CC(off)}$ Supply current, expander off	7	$V_{CC} = 5.5\text{ V}, V_I = 0, V_X = 0.85\text{ V}, I_{\bar{X}} = 0$		2 4	$V_{CC} = 5.25\text{ V}, V_I = 0, V_X = 0.85\text{ V}, I_{\bar{X}} = 0$		2 4	mA

<sup>‡</sup>All typical values are at  $V_{CC} = 5\text{ V}, T_A = 25^\circ\text{C}$ .

See schematics  
next page

recommended operating conditions

	SN54H60			SN74H60			UNIT
	SN54H62			SN74H62			
	MIN	NOM	MAX	MIN	NOM	MAX	
Supply voltage, $V_{CC}$	4.5	5	5.5	4.75	5	5.25	V
Operating free-air temperature, $T_A$	-55		125	0		70	°C

The 'H50, 'H53, and 'H55 are designed for use with up to four 'H60 expanders or one 'H62 expander.

electrical characteristics over recommended operating free-air temperature range (unless otherwise noted)

PARAMETER	TEST FIGURE	SN54H60, SN54H62			SN74H60, SN74H62			UNIT
		TEST CONDITIONS	MIN	TYP <sup>‡</sup> MAX	TEST CONDITIONS	MIN	TYP <sup>‡</sup> MAX	
$V_{IH}$ High-level input voltage	15		2			2	V	
$V_{IL}$ Low-level input voltage	16			0.8		0.8	V	
$V_{XX(on)}$ On-state voltage between expander outputs	15	$V_{CC} = 4.5\text{ V}$ , $V_{IH} = 2\text{ V}$ , $V_X = 1.1\text{ V}$ , $I_{\bar{X}} = 5.85\text{ mA}$ , $T_A = -55^\circ\text{C}$		0.4	$V_{CC} = 4.75\text{ V}$ , $V_{IH} = 2\text{ V}$ , $V_X = 1\text{ V}$ , $I_{\bar{X}} = 6.3\text{ mA}$ , $T_A = 0^\circ\text{C}$		0.4	
		$V_{CC} = 5.5\text{ V}$ , $V_{IH} = 2\text{ V}$ , $V_X = 1\text{ V}$ , $I_{\bar{X}} = 7.85\text{ mA}$ , $T_A = 125^\circ\text{C}$		0.4	$V_{CC} = 5.25\text{ V}$ , $V_{IH} = 2\text{ V}$ , $V_X = 1\text{ V}$ , $I_{\bar{X}} = 7.4\text{ mA}$ , $T_A = 70^\circ\text{C}$		0.4	
$I_{X(on)}$ On-state expander current	15	$V_{CC} = 4.5\text{ V}$ , $V_{IH} = 2\text{ V}$ , $V_X = 1.1\text{ V}$ , $I_{\bar{X}} = 0$ , $T_A = -55^\circ\text{C}$	-470		$V_{CC} = 4.75\text{ V}$ , $V_{IH} = 2\text{ V}$ , $V_X = 1\text{ V}$ , $I_{\bar{X}} = 0$ , $T_A = 0^\circ\text{C}$	-600	$\mu\text{A}$	
$I_{\bar{X}(off)}$ Off-state expander current	16	$V_{CC} = 4.5\text{ V}$ , $V_{IL} = 0.8\text{ V}$ , $V_{\bar{X}} = 4.5\text{ V}$ , $R_{\bar{X}} = 575\ \Omega$ , $T_A = -55^\circ\text{C}$		320	$V_{CC} = 4.75\text{ V}$ , $V_{IL} = 0.8\text{ V}$ , $V_{\bar{X}} = 4.5\text{ V}$ , $R_{\bar{X}} = 575\ \Omega$ , $T_A = 0^\circ\text{C}$		570 $\mu\text{A}$	
$I_I$ Input current at maximum input voltage	4	$V_{CC} = 5.5\text{ V}$ , $V_I = 5.5\text{ V}$		1	$V_{CC} = 5.25\text{ V}$ , $V_I = 5.5\text{ V}$		1 $\text{mA}$	
$I_{IH}$ High-level input current	4	$V_{CC} = 5.5\text{ V}$ , $V_I = 2.4\text{ V}$		50	$V_{CC} = 5.25\text{ V}$ , $V_I = 2.4\text{ V}$		50 $\mu\text{A}$	
$I_{IL}$ Low-level input current	5	$V_{CC} = 5.5\text{ V}$ , $V_I = 0.4\text{ V}$		-2	$V_{CC} = 5.25\text{ V}$ , $V_I = 0.4\text{ V}$		-2 $\text{mA}$	
$I_{CC(on)}$ Supply current, expander on	7	'H60	$V_{CC} = 5.5\text{ V}$ , $V_I = 4.5\text{ V}$ ,	1.9	3.5	$V_{CC} = 5.25\text{ V}$ , $V_I = 4.5\text{ V}$ ,	1.9	3.5
		'H62	$V_X = 0.85\text{ V}$ , $I_{\bar{X}} = 0$ ,	3.8	7	$V_X = 0.85\text{ V}$ , $I_{\bar{X}} = 0$	3.8	7
$I_{CC(off)}$ Supply current, expander off	7	'H60	$V_{CC} = 5.5\text{ V}$ , $V_I = 0$ ,	3	4.5	$V_{CC} = 5.25\text{ V}$ , $V_I = 0$ ,	3	4.5
		'H62	$V_X = 0.85\text{ V}$ , $I_{\bar{X}} = 0$	6	9	$V_X = 0.85\text{ V}$ , $I_{\bar{X}} = 0$	6	9
$C_{\bar{X}}$ Expander output capacitance		'H60	$V_{CC}$ , inputs, and X open;	5.4		$V_{CC}$ , inputs, and X open;	5.4	
		'H62	$f = 1\text{ MHz}$	6.0		$f = 1\text{ MHz}$	6.0	

<sup>‡</sup>All typical values are at  $V_{CC} = 5\text{ V}$  (except  $C_{\bar{X}}$ ),  $T_A = 25^\circ\text{C}$ .

## recommended operating conditions

	SN54H61			SN74H61			UNIT
	MIN	NOM	MAX	MIN	NOM	MAX	
Supply voltage, $V_{CC}$	4.5	5	5.5	4.75	5	5.25	V
Operating free-air temperature, $T_A$	-55		125	0		70	°C

The 'H52 is designed for use with up to six 'H61 expanders.

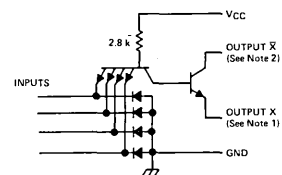
## electrical characteristics over recommended operating free-air temperature range (unless otherwise noted)

PARAMETER	TEST FIGURE	TEST CONDITIONS	MIN	TYP <sup>‡</sup>	MAX	UNIT
$V_{IH}$	17		2			V
$V_{IL}$	18				0.8	V
$V_{X(on)}$	17	$V_{CC} = \text{MIN}$ , $V_{IH} = 2\text{ V}$ , $I_X = 4.5\text{ mA}$ for SN54H61, $5.35\text{ mA}$ for SN74H61, $T_A = \text{MIN}$			1	V
$I_{X(off)}$	18	$V_{CC} = \text{MIN}$ , $V_{IL} = 0.8\text{ V}$ , $V_X = 2.2\text{ V}$ , $T_A = \text{MAX}$			50	$\mu\text{A}$
$I_I$	4	$V_{CC} = 5.5\text{ V}$ , $V_I = 5.5\text{ V}$			1	mA
$I_{IH}$	4	$V_{CC} = 5.5\text{ V}$ , $V_I = 2.4\text{ V}$			50	$\mu\text{A}$
$I_{IL}$	5	$V_{CC} = 5.5\text{ V}$ , $V_I = 0.4\text{ V}$			-2	mA
$I_{CC(on)}$	7	$V_{CC} = 5.5\text{ V}$ , $V_I = 4.5\text{ V}$		11	16	mA
$I_{CC(off)}$	7	$V_{CC} = 5.5\text{ V}$ , $V_I = 0$		5	7	mA
$C_X$		$V_{CC}$ and inputs open, $f = 1\text{ MHz}$		5.4		pF

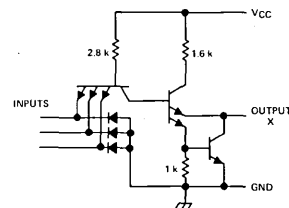
<sup>†</sup>For conditions shown as MIN or MAX, use the appropriate value specified under recommended operating conditions.

<sup>‡</sup>All typical values are at  $V_{CC} = 5\text{ V}$  (except  $C_X$ ),  $T_A = 25^\circ\text{C}$ .

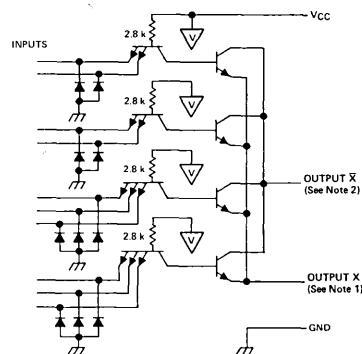
## schematics (each gate)



'H60 CIRCUITS



'H61 CIRCUITS



'H62 CIRCUITS

- NOTES: 1. Connect to X input of 'H50, 'H53, or 'H55 circuit.  
2. Connect to  $\bar{X}$  input of 'H50, 'H53, or 'H55 circuit.

Resistor values shown are nominal and in ohms.

recommended operating conditions

		SERIES 54/74			'70			'72, '73, '76, '107			'74			'109			'110			'111			UNIT
		MIN	NOM	MAX	MIN	NOM	MAX	MIN	NOM	MAX	MIN	NOM	MAX	MIN	NOM	MAX	MIN	NOM	MAX	MIN	NOM	MAX	
Supply voltage, V <sub>CC</sub>		Series 54		4.5	5	5.5	4.5	5	5.5	4.5	5	5.5	4.5	5	5.5	4.5	5	5.5	4.5	5	5.5	V	
High-level output current, I <sub>OH</sub>		Series 74		4.75	5	5.25	4.75	5	5.25	4.75	5	5.25	4.75	5	5.25	4.75	5	5.25	4.75	5	5.25	μA	
Low-level output current, I <sub>OL</sub>				-400			-400			-400			-800			-800			-800			mA	
Pulse width, t <sub>w</sub>	Clock high	20			20			30			20			25			25			ns			
	Clock low	30			47			37			20			25			25						
	Preset or clear low	25			25			30			20			25			25						
Input setup time, t <sub>su</sub>		20†			0†			20†			10†			20†			0†			ns			
Input hold time, t <sub>h</sub>		5†			0‡			5†			6†			5†			30†			ns			
Operating free-air temperature, T <sub>A</sub>		Series 54		-55	125		-55	125		-55	125		-55	125		-55	125		-55	125		°C	
		Series 74		0	70		0	70		0	70		0	70		0	70		0	70			

†‡ The arrow indicates the edge of the clock pulse used for reference: † for the rising edge, ‡ for the falling edge.  
 electrical characteristics over recommended operating free-air temperature range (unless otherwise noted)

PARAMETER		TEST CONDITIONS†		'70			'72, '73, '76, '107			'74			'109			'110			'111			UNIT	
		MIN	TYP‡	MAX	MIN	TYP‡	MAX	MIN	TYP‡	MAX	MIN	TYP‡	MAX	MIN	TYP‡	MAX	MIN	TYP‡	MAX	MIN	TYP‡		MAX
V <sub>IH</sub>	High-level input voltage				2			2			2			2			2			2			V
V <sub>IL</sub>	Low-level input voltage				0.8			0.8			0.8			0.8			0.8			0.8			V
V <sub>IK</sub>	Input clamp voltage	V <sub>CC</sub> = MIN, I <sub>I</sub> = -12 mA		-1.5			-1.5			-1.5			-1.5			-1.5			-1.5			V	
V <sub>OH</sub>	High-level output voltage	V <sub>CC</sub> = MIN, V <sub>IH</sub> = 2 V, V <sub>IL</sub> = 0.8 V, I <sub>OH</sub> = MAX		2.4 3.4			2.4 3.4			2.4 3.4			2.4 3.4			2.4 3.4			2.4 3.4			V	
V <sub>OL</sub>	Low-level output voltage	V <sub>CC</sub> = MIN, V <sub>IH</sub> = 2 V, V <sub>IL</sub> = 0.8 V, I <sub>OL</sub> = 16 mA		0.2 0.4			0.2 0.4			0.2 0.4			0.2 0.4			0.2 0.4			0.2 0.4			V	
I <sub>I</sub>	Input current at maximum input voltage	V <sub>CC</sub> = MAX, V <sub>I</sub> = 5.5 V		1			1			1			1			1			1			mA	
I <sub>IH</sub>	High-level input current	D, J, K, or $\bar{K}$	V <sub>CC</sub> = MAX, V <sub>I</sub> = 2.4 V		40			40			40			40			40			40			μA
		Clear			80			80			120			160			160						
		Preset			80			80			80			80			160						
		Clock			40			80			80			80			40						
I <sub>IL</sub>	Low-level input current	D, J, K, or $\bar{K}$	V <sub>CC</sub> = MAX, V <sub>I</sub> = 0.4 V		-1.6			-1.6			-1.6			-1.6			-1.6			-1.6			mA
		Clear *			-3.2			-3.2			-3.2			-4.8			-3.2						
		Preset *			-3.2			-3.2			-1.6			-3.2			-3.2						
		Clock			-1.6			-3.2			-3.2			-3.2			-1.6						
I <sub>OS</sub>	Short-circuit output current*	Series 54	V <sub>CC</sub> = MAX		-20			-20			-20			-30			-85			-20			mA
		Series 74			-18			-57			-18			-57			-30			-85			
I <sub>CC</sub>	Supply current (Average per flip-flop)	V <sub>CC</sub> = MAX, See Note 1		13 26			10 20			8.5 15			9 15			20 34			14 20.5			mA	

† For conditions shown as MIN or MAX, use the appropriate value specified under recommended operating conditions.  
 ‡ All typical values are at V<sub>CC</sub> = 5 V, T<sub>A</sub> = 25° C.  
 \* Not more than one output should be shorted at a time.  
 • Clear is tested with preset high and preset is tested with clear high.

NOTE 1: With all outputs open, I<sub>CC</sub> is measured with the Q and  $\bar{Q}$  outputs high in turn. At the time of measurement, the clock input is at 4.5 V for the '70, '110, and '111; and is grounded for all the others.

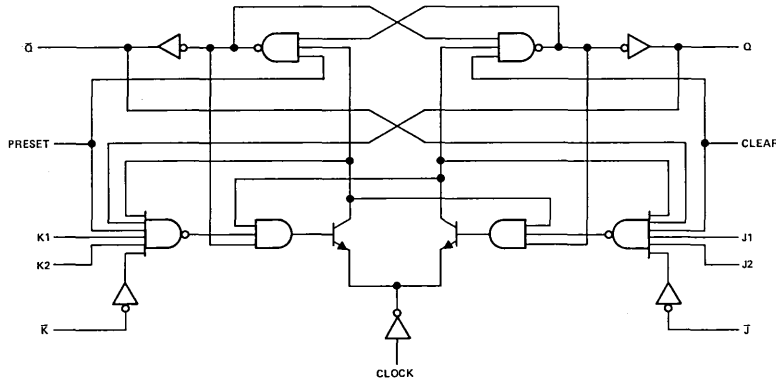
switching characteristics,  $V_{CC} = 5\text{ V}$ ,  $T_A = 25^\circ\text{C}$

PARAMETER <sup>†</sup>	FROM (INPUT)	TO (OUTPUT)	TEST CONDITIONS	'70			'72, '73 '76, '107			'74			'109			'110			'111			UNIT
				MIN	TYP	MAX	MIN	TYP	MAX	MIN	TYP	MAX	MIN	TYP	MAX	MIN	TYP	MAX	MIN	TYP	MAX	
$f_{max}$			$C_L = 15\text{ pF}$ , $R_L = 400\ \Omega$ , See Note 2	20	35		15	20		15	25		25	33		20	25		20	25	MHz	
$t_{PLH}$	Preset	Q				50		16	25		25		10	15		12	20		12	18	ns	
$t_{PHL}$	(as applicable)	$\bar{Q}$			50		25	40		40		23	35		18	25		21	30		ns	
$t_{PLH}$	Clear	$\bar{Q}$			50		16	25		25		10	15		12	20		12	18		ns	
$t_{PHL}$	(as applicable)	Q			50		25	40		40		17	25		18	25		21	30		ns	
$t_{PLH}$	Clock	Q or $\bar{Q}$			27	50		16	25		14	25		10	16		20	30		12	17	ns
$t_{PHL}$					18	50		25	40		20	40		18	28		13	20		20	30	

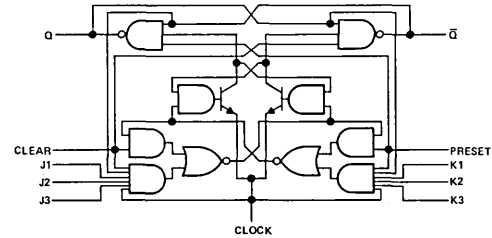
<sup>†</sup> $f_{max}$  = maximum clock frequency;  $t_{PLH}$  = propagation delay time, low-to-high-level output;  $t_{PHL}$  = propagation delay time, high-to-low-level output.

NOTE 2: Load circuit and voltage waveforms are shown on page 3-10.

functional block diagrams



'70-GATED J-K WITH CLEAR AND PRESET

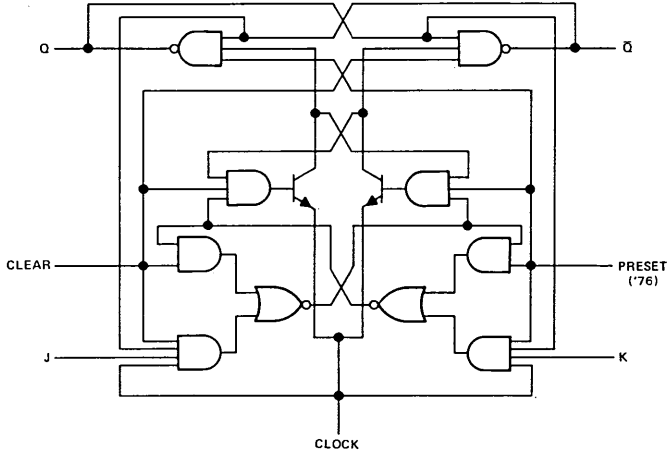


'72-GATED J-K WITH CLEAR AND PRESET

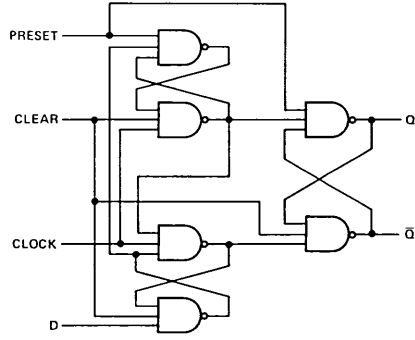
See following pages for:  
 '73-DUAL J-K WITH CLEAR  
 '74-DUAL D WITH CLEAR AND PRESET  
 '76-DUAL J-K WITH CLEAR AND PRESET  
 '107-DUAL J-K WITH CLEAR

'109-DUAL J-K WITH CLEAR AND PRESET  
 '110-GATED J-K WITH CLEAR AND PRESET  
 '111-DUAL J-K WITH CLEAR AND PRESET

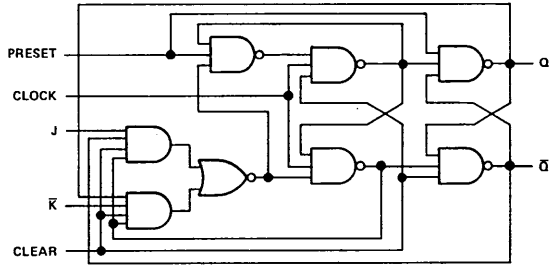
functional block diagrams (continued)



'73-DUAL J-K WITH CLEAR  
'76-DUAL J-K WITH CLEAR AND PRESET  
'107-DUAL J-K WITH CLEAR

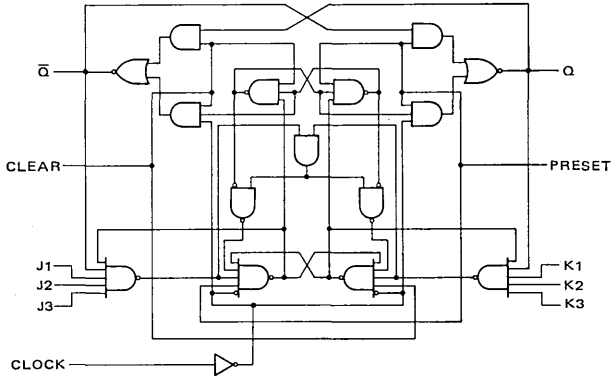


'74-DUAL D WITH CLEAR AND PRESET

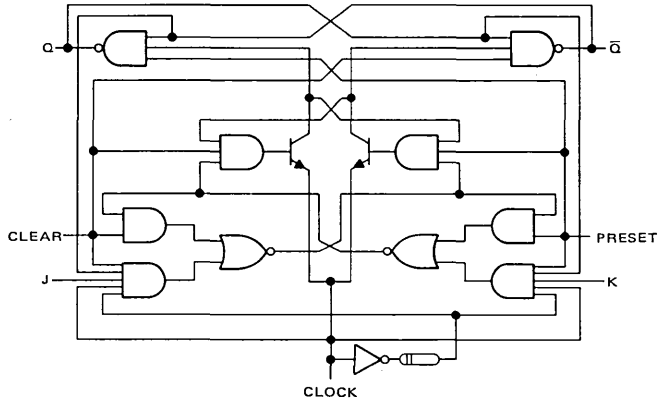


'109-DUAL J-K WITH CLEAR AND PRESET

functional block diagrams (continued)

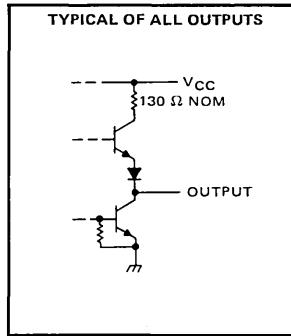
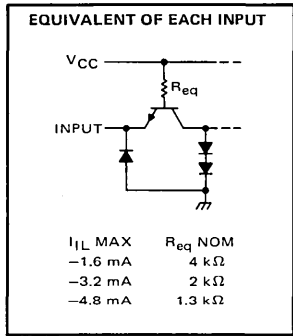


'110-GATED J-K WITH CLEAR AND PRESET



'111-DUAL J-K WITH CLEAR AND PRESET

schematics of inputs and outputs



TEXAS INSTRUMENTS  
INCORPORATED  
POST OFFICE BOX 5012 • DALLAS, TEXAS 75222



**SERIES 54H/74H PULSE-TRIGGERED J-K  
AND EDGE-TRIGGERED D-TYPE FLIP-FLOPS**

recommended operating conditions<sup>†</sup>

		SERIES 54H/74H			'H71			'H72, 'H73, 'H76			'H74			'H78			UNIT
					MIN	NOM	MAX	MIN	NOM	MAX	MIN	NOM	MAX	MIN	NOM	MAX	
Supply voltage, V <sub>CC</sub>		Series 54H			4.5	5	5.5	4.5	5	5.5	4.5	5	5.5	4.5	5	5.5	V
		Series 74H			4.75	5	5.25	4.75	5	5.25	4.75	5	5.25	4.75	5	5.25	
High-level output current, I <sub>OH</sub>					-500			-500			-1000			-500			μA
Low-level output current, I <sub>OL</sub>					20			20			20			20			mA
Pulse width, t <sub>w</sub>		Clock high		12			12			15			12			ns	
		Clock low		28			28			13.5			28				
		Clear or preset low		16			16			25			16				
Setup time, t <sub>su</sub>		High-level data		0†			0†			10†			0†			ns	
		Low-level data		0†			0†			15†			0†				
Hold time, t <sub>h</sub>				0‡			0‡			5‡			0‡			ns	
Operating free-air temperature, T <sub>A</sub>		Series 54H			-55	125		-55	125		-55	125		-55	125		°C
		Series 74H			0	70		0	70		0	70		0	70		

† † The arrow indicates the edge of the clock pulse used for reference: † for the rising edge, ‡ for the falling edge.

electrical characteristics over recommended operating free-air temperature range (unless otherwise noted)

PARAMETER		TEST CONDITIONS†	'H71			'H72, 'H73, 'H76			'H74			'H78			UNIT
			MIN	TYP‡	MAX	MIN	TYP‡	MAX	MIN	TYP‡	MAX	MIN	TYP‡	MAX	
V <sub>IH</sub>	High-level input voltage		2			2			2			2			V
V <sub>IL</sub>	Low-level input voltage		0.8			0.8			0.8			0.8			V
V <sub>IK</sub>	Input clamp voltage	V <sub>CC</sub> = MIN, I <sub>I</sub> = -8 mA	-1.5			-1.5			-1.5			-1.5			V
V <sub>OH</sub>	High-level output voltage	V <sub>CC</sub> = MIN, V <sub>IH</sub> = 2 V, V <sub>IL</sub> = 0.8 V, I <sub>OH</sub> = MAX	2.4	3.4		2.4	3.4		2.4	3.4		2.4	3.4	V	
V <sub>OL</sub>	Low-level output voltage	V <sub>CC</sub> = MIN, V <sub>IH</sub> = 2 V, V <sub>IL</sub> = 0.8 V, I <sub>OL</sub> = 20 mA	0.2	0.4		0.2	0.4		0.2	0.4		0.2	0.4	V	
I <sub>I</sub>	Input current at maximum input voltage	V <sub>CC</sub> = MAX, V <sub>I</sub> = 5.5 V	1			1			1			1			mA
I <sub>IH</sub>	High-level input current	D, J, or K	50			50			50			50			μA
		Clear	100			100			150			200			
		Preset	150			100			100			100			
		Clock	100			50			100			100			
I <sub>IL</sub>	Low-level input current	D, J, or K	-2			-2			-2			-2			mA
		Clear *	-4			-4			-4			-8			
		Preset *	-6			-4			-2			-4			
		Clock	-4			-2			-4			-4			
I <sub>OS</sub>	Short-circuit output current*†	V <sub>CC</sub> = MAX	-40	-100		-40	-100		-40	-100		-40	-100	mA	
I <sub>CC</sub>	Supply current (Average per flip-flop)	V <sub>CC</sub> = MAX, See Note 1	Series 54H 19 30		Series 74H 19 30		16 25 16 25		15 21 15 25		16 25 16 25		16 25 16 25		mA

† For conditions shown as MIN or MAX, use the appropriate value specified under recommended operating conditions.

‡ All typical values are at V<sub>CC</sub> = 5 V, T<sub>A</sub> = 25°C.

\* Not more than one output should be shorted at a time, and duration of the short-circuit should not exceed one second.

\* Clear is tested with preset high and preset is tested with clear high.

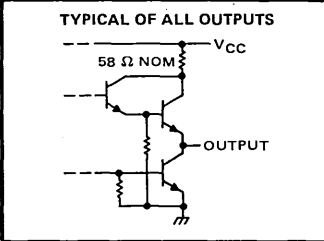
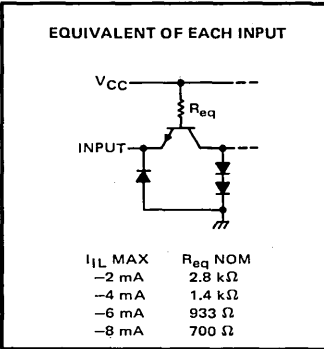
NOTE 1: With all outputs open, I<sub>CC</sub> is measured with the Q and  $\bar{Q}$  outputs high in turn. At the time of measurement, the clock input is grounded.

switching characteristics,  $V_{CC} = 5\text{ V}$ ,  $T_A = 25^\circ\text{ C}$

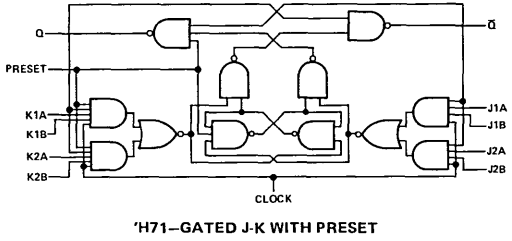
PARAMETER†	FROM (INPUT)	TO (OUTPUT)	TEST CONDITIONS	'H71, 'H72, 'H73, 'H76, 'H78			'H74			UNIT
				MIN	TYP	MAX	MIN	TYP	MAX	
$f_{max}$			$C_L = 25\text{ pF}$ , $R_L = 280\ \Omega$ , See Note 2	25	30		35	43		MHz
t <sub>PLH</sub>	Preset	Q		6	13			20		ns
t <sub>PHL</sub>	(as applicable)	$\bar{Q}$		12	24			30		ns
t <sub>PLH</sub>	Clear	$\bar{Q}$		6	13			20		ns
t <sub>PHL</sub>	(as applicable)	Q		12	24			30		ns
t <sub>PLH</sub>	Clock	Q or $\bar{Q}$		14	21		8.5	15		ns
t <sub>PHL</sub>				22	27		13	20		

†  $f_{max}$  ≡ maximum clock frequency; t<sub>PLH</sub> ≡ propagation delay time, low-to-high-level output; t<sub>PHL</sub> ≡ propagation delay time, high-to-low-level output.  
 NOTE 2: Load circuit and voltage waveforms are shown on page 3-10.

schematics of input and outputs

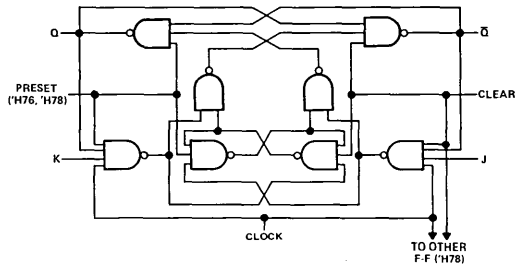
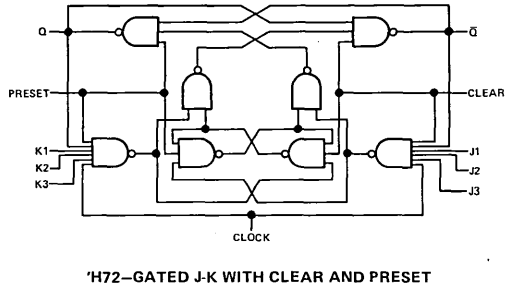


functional block diagrams



Same functional block diagram as for '74, see page 6-48.

'H74—DUAL D WITH CLEAR AND PRESET



SERIES 54H/74H PULSE-TRIGGERED J-K AND EDGE-TRIGGERED D-TYPE FLIP-FLOPS



## recommended operating conditions

		SERIES 54H/74H			'H101			'H102, 'H106			'H103			'H108			UNIT
		MIN	NOM	MAX	MIN	NOM	MAX	MIN	NOM	MAX	MIN	NOM	MAX	MIN	NOM	MAX	
Supply voltage, $V_{CC}$		Series 54H			4.5	5	5.5	4.5	5	5.5	4.5	5	5.5	4.5	5	5.5	V
		Series 74H			4.75	5	5.25	4.75	5	5.25	4.75	5	5.25	4.75	5	5.25	
High-level output current, $I_{OH}$					-500			-500			-500			-500			$\mu$ A
Low-level output current, $I_{OL}$					20			20			20			20			mA
Pulse width, $t_w$		Clock high		10			10			10			10			ns	
		Clock low		15			15			15			15				
		Clear or preset low		16			16			16			16				
Setup time, $t_{su}$		High-level data		10 $\downarrow$			10 $\downarrow$			10 $\downarrow$			10 $\downarrow$			ns	
		Low-level data		13 $\downarrow$			13 $\downarrow$			13 $\downarrow$			13 $\downarrow$				
Hold time, $t_h$				0 $\downarrow$			0 $\downarrow$			0 $\downarrow$			0 $\downarrow$			ns	
Operating free-air temperature, $T_A$		Series 54H			-55	125		-55	125		-55	125		-55	125		$^{\circ}$ C
		Series 74H			0	70		0	70		0	70		0	70		

$\downarrow$  The arrow indicates that the falling edge of the clock pulse is used for reference.

## electrical characteristics over recommended operating free-air temperature range (unless otherwise noted)

PARAMETER		TEST CONDITIONS <sup>†</sup>	'H101			'H102, 'H106			'H103			'H108			UNIT
			MIN	TYP <sup>‡</sup>	MAX	MIN	TYP <sup>‡</sup>	MAX	MIN	TYP <sup>‡</sup>	MAX	MIN	TYP <sup>‡</sup>	MAX	
$V_{IH}$	High-level input voltage		2			2			2			2			V
$V_{IL}$	Low-level input voltage		0.8			0.8			0.8			0.8			V
$V_{IK}$	Input clamp voltage	$V_{CC} = \text{MIN}, I_I = -8 \text{ mA}$	-1.5			-1.5			-1.5			-1.5			V
$V_{OH}$	High-level output voltage	$V_{CC} = \text{MIN}, V_{IH} = 2 \text{ V}, V_{IL} = 0.8 \text{ V}, I_{OH} = -500 \mu\text{A}$	2.4	3.4		2.4	3.4		2.4	3.4		2.4	3.4	V	
$V_{OL}$	Low-level output voltage	$V_{CC} = \text{MIN}, V_{IH} = 2 \text{ V}, V_{IL} = 0.8 \text{ V}, I_{OL} = 20 \text{ mA}$	0.2	0.4		0.2	0.4		0.2	0.4		0.2	0.4	V	
$I_I$	Input current at maximum input voltage	$V_{CC} = \text{MAX}, V_I = 5.5 \text{ V}$	1			1			1			1			mA
$I_{IH}$	High-level input current	Any J or K	50			50			50			50			$\mu$ A
		Clear	100			100			100			100			
		Preset	100			100			100			100			
		Clock	0	-1	0	-1	0	-1	0	-1	0	-1	0	-1	
$I_{IL}$	Low-level input current	Any J or K	-1	-2		-1	-2		-1	-2		-1	-2	mA	
		Clear	-1	-2		-1	-2		-1	-2		-1	-2		
		Preset	-1	-2		-1	-2		-1	-2		-1	-2		
		Clock	-3	-4.8		-3	-4.8		-3	-4.8		-6	-9.6		
$I_{OS}$	Short-circuit output current <sup>♦</sup>	$V_{CC} = \text{MAX}$	-40	-100		-40	-100		-40	-100		-40	-100	mA	
$I_{CC}$	Supply current (Average per flip-flop)	$V_{CC} = \text{MAX}, \text{ See Note 1}$	20	38		20	38		20	38		20	38	mA	

<sup>†</sup> For conditions shown as MIN or MAX, use the appropriate value specified under recommended operating conditions

<sup>‡</sup> All typical values are at  $V_{CC} = 5 \text{ V}, T_A = 25^{\circ}\text{C}$ .

<sup>♦</sup> Not more than one output should be shorted at a time, and duration of short-circuit should not exceed one second.

NOTE 1: With all outputs open,  $I_{CC}$  is measured with the Q and  $\bar{Q}$  outputs high in turn. At the time of measurement, the clock input is grounded.

switching characteristics,  $V_{CC} = 5\text{ V}$ ,  $T_A = 25^\circ\text{ C}$

PARAMETER <sup>†</sup>	FROM (INPUT)	TO (OUTPUT)	TEST CONDITIONS	MIN	TYP	MAX	UNIT
$f_{max}$				40	50		MHz
$t_{PLH}$	Preset or clear	Q or $\bar{Q}$	$C_L = 25\text{ pF}$ , $R_L = 280\ \Omega$ , See Note 2		8	12	ns
$t_{PHL}$	Preset or clear (clock high)	$\bar{Q}$ or Q			15	20	ns
	Preset or clear (clock low)				23	35	
$t_{PLH}$	Clock	Q or $\bar{Q}$			10	15	ns
$t_{PHL}$				16	20		

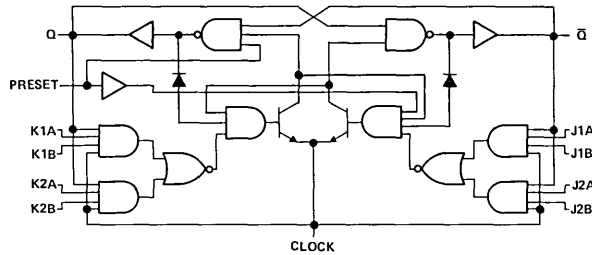
<sup>†</sup> $f_{max}$  = maximum clock frequency

$t_{PLH}$  = propagation delay time, low-to-high-level output

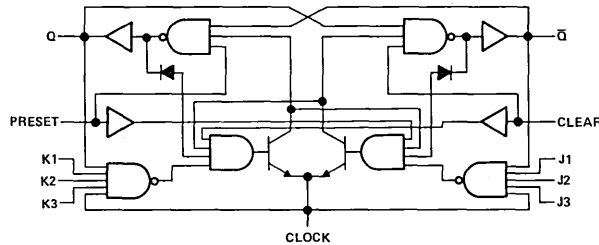
$t_{PHL}$  = propagation delay time, high-to-low-level output

NOTE 2: Load circuit and voltage waveforms are shown on page 3-10.

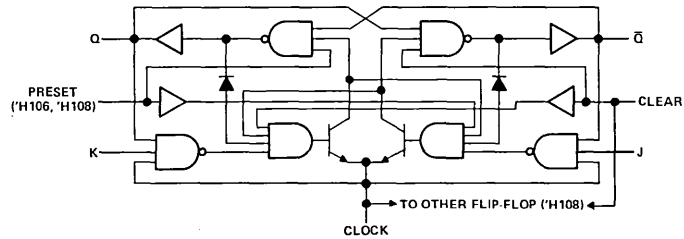
functional block diagrams



'H101—GATED J-K WITH PRESET



'H102—GATED J-K WITH CLEAR AND PRESET

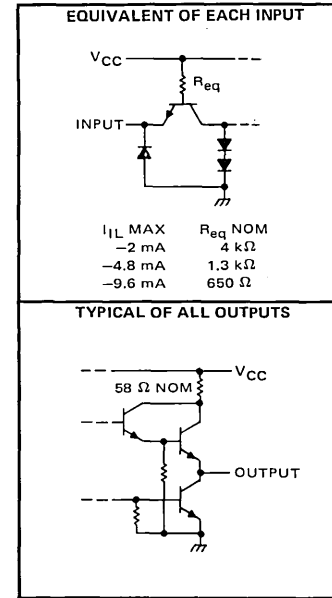


'H103—DUAL J-K WITH CLEAR

'H106—DUAL J-K WITH CLEAR AND PRESET

'H108—DUAL J-K WITH PRESET, COMMON CLEAR, AND COMMON CLOCK

schematics of inputs and outputs



$I_{IL}\text{ MAX}$      $R_{eq}\text{ NOM}$   
 -2 mA            4 k $\Omega$   
 -4.8 mA        1.3 k $\Omega$   
 -9.6 mA        650  $\Omega$

recommended operating conditions

		SERIES 54L/74L	'L71			'L72, 'L73			'L74			'L78			UNIT
			MIN	NOM	MAX	MIN	NOM	MAX	MIN	NOM	MAX	MIN	NOM	MAX	
Supply voltage, V <sub>CC</sub>		Series 54L	4.5	5	5.5	4.5	5	5.5	4.5	5	5.5	4.5	5	5.5	V
		Series 74L	4.75	5	5.25	4.75	5	5.25	4.75	5	5.25	4.75	5	5.25	
High-level output current, I <sub>OH</sub>		Series 54L	-100			-100			-100			-100			μA
		Series 74L	-200			-200			-200			-200			
Low-level output current, I <sub>OL</sub>		Series 54L	2			2			2			2			mA
		Series 74L	3.6			3.6			3.6			3.6			
Pulse width, t <sub>w</sub>	Clock high		200			200			200			200			ns
	Clock low		200			200			200			200			
	Clear or preset low		100			100			100			100			
Setup time, t <sub>su</sub>			0†			0†			50†			0†			ns
Hold time, t <sub>h</sub>			0‡			0‡			15†			0‡			ns
Operating free-air temperature, T <sub>A</sub>		Series 54L	-55	125		-55	125		-55	125		-55	125		°C
		Series 74L	0	70		0	70		0	70		0	70		

† The arrow indicates the edge of the clock pulse used for reference: † for the rising edge, ‡ for the falling edge.

electrical characteristics over recommended operating free-air temperature range (unless otherwise noted)

PARAMETER		TEST CONDITIONS†	'L71			'L72, 'L73			'L74			'L78			UNIT
			MIN	TYP‡	MAX	MIN	TYP‡	MAX	MIN	TYP‡	MAX	MIN	TYP‡	MAX	
V <sub>IH</sub>	High-level input voltage		2			2			2			2			V
V <sub>IL</sub>	Low-level input voltage	Clock input	0.6			0.6			0.7			0.6			V
		All other inputs	0.7			0.7			0.7			0.7			
V <sub>OH</sub>	High-level output voltage	Series 54L	V <sub>CC</sub> = MIN, V <sub>IH</sub> = 2 V,			2.4 3.3			2.4 3.3			2.4 3.3			V
		Series 74L	V <sub>IL</sub> = V <sub>IL</sub> max, I <sub>OH</sub> = MAX			2.4 3.2			2.4 3.2			2.4 3.2			
V <sub>OL</sub>	Low-level output voltage	Series 54L	V <sub>CC</sub> = MIN, V <sub>IH</sub> = 2 V,			0.15 0.3			0.15 0.3			0.15 0.3			V
		Series 74L	V <sub>IL</sub> = V <sub>IL</sub> max, I <sub>OL</sub> = MAX			0.2 0.4			0.2 0.4			0.2 0.4			
I <sub>I</sub>	Input current at maximum input voltage	R, S, J, K, or D	100			100			100			100			μA
		Clear	200			200			300			400			
		Preset	200			200			200			200			
		Clock	200			200			200			400			
I <sub>IH</sub>	High-level input current	R, S, J, K, or D	10			10			10			10			μA
		Clear	20			20			30			40			
		Preset	20			20			20			20			
		Clock	-200			-200			20			-400			
I <sub>IL</sub>	Low-level input current	R, S, J, K, or D	-0.18			-0.18			-0.18			-0.18			mA
		Clear	-0.36			-0.36			-0.36			-0.72			
		Preset	-0.36			-0.36			-0.18			-0.36			
		Clock	-0.36			-0.36			-0.36			-0.72			
I <sub>OS</sub>	Short-circuit output current	V <sub>CC</sub> = MAX		-3 -15			-3 -15			-3 -15			mA		
I <sub>CC</sub>	Supply current (Average per flip-flop)	V <sub>CC</sub> = MAX, See Note 1		0.76 1.44			0.76 1.44			0.8 1.5			0.76 1.44	mA	

† For conditions shown as MIN or MAX, use the appropriate value specified under recommended operating conditions.

‡ All typical values are at V<sub>CC</sub> = 5 V, T<sub>A</sub> = 25° C.

NOTE 1: With all outputs open, I<sub>CC</sub> is measured with the Q and  $\bar{Q}$  outputs high in turn. At the time of measurement, the clock input is grounded.

switching characteristics,  $V_{CC} = 5\text{ V}$ ,  $T_A = 25^\circ\text{C}$

PARAMETER†	FROM (INPUT)	TO (OUTPUT)	TEST CONDITIONS	'L71, 'L72, 'L73, 'L78			'L74			UNIT	
				MIN	TYP	MAX	MIN	TYP	MAX		
$f_{max}$			$C_L = 50\text{ pF}$ , $R_L = 4\text{ k}\Omega$ , See Note 2	2.5	3		2.5	3		MHz	
$t_{PLH}$	Preset or clear	Q or $\bar{Q}$			35	75		50	75		ns
$t_{PHL}$	Preset or clear (clock high)	$\bar{Q}$ or Q			60	150		80	150		ns
	Preset or clear (clock low)				200		80	150			
$t_{PLH}$	Clock	Q or $\bar{Q}$			10	35	75	15	65	100	ns
$t_{PHL}$					10	60	150	15	65	150	

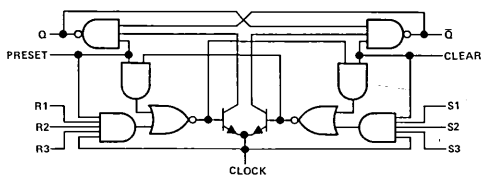
†  $f_{max}$  ≡ maximum clock frequency

$t_{PLH}$  ≡ propagation delay time, low-to-high-level output

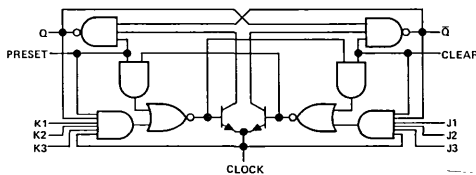
$t_{PHL}$  ≡ propagation delay time, high-to-low-level output

NOTE 2: Load circuit and voltage waveforms are shown on page 3-11.

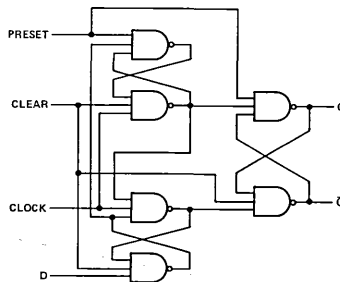
functional block diagrams



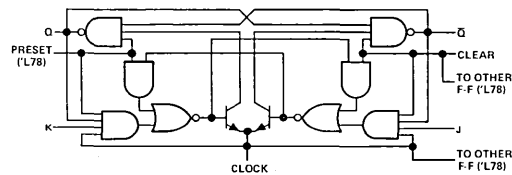
'L71—GATED R-S WITH CLEAR AND PRESET



'L72—GATED J-K WITH CLEAR AND PRESET

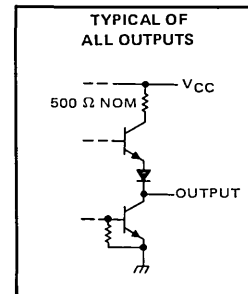
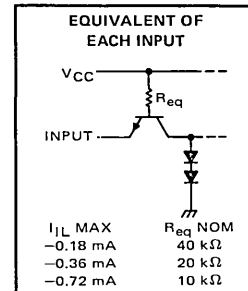


'L74—DUAL D WITH CLEAR AND PRESET



'L73—DUAL J-K WITH CLEAR  
'L78—DUAL J-K WITH PRESET, COMMON CLEAR, AND COMMON CLOCK

schematics of inputs and outputs



recommended operating conditions

	SERIES 54LS/74LS	'LS73A,'LS107A,'LS113A			'LS74A			'LS76A,'LS112A			'LS78A,'LS114A			'LS109A			UNIT
		MIN	NOM	MAX	MIN	NOM	MAX	MIN	NOM	MAX	MIN	NOM	MAX	MIN	NOM	MAX	
Supply voltage, V <sub>CC</sub>	Series 54LS	4.5	5	5.5	4.5	5	5.5	4.5	5	5.5	4.5	5	5.5	4.5	5	5.5	V
	Series 74LS	4.75	5	5.25	4.75	5	5.25	4.75	5	5.25	4.75	5	5.25	4.75	5	5.25	
High-level output current, I <sub>OH</sub>		-400			-400			-400			-400			-400			μA
Low-level output current, I <sub>OL</sub>	Series 54LS	4			4			4			4			4			mA
	Series 74LS	8			8			8			8			8			
Clock frequency, f <sub>clock</sub>		0	30	0	25	0	25	0	30	0	30	0	25	0	25	MHz	
Pulse width, t <sub>w</sub>	Clock high	20			25			20			20			25			ns
	Preset or clear low	25			25			25			25			25			
Setup time, t <sub>su</sub>	High-level data	20 ↓			20 ↑			20 ↓			20 ↓			35 ↑			ns
	Low-level data	20 ↓			20 ↑			20 ↓			20 ↓			25 ↑			
Hold time, t <sub>h</sub>		0 ↓			5 ↑			0 ↓			0 ↓			5 ↑			ns
Operating free-air temperature, T <sub>A</sub>	Series 54LS	-55	125	-55	125	-55	125	-55	125	-55	125	-55	125	-55	125	°C	
	Series 74LS	0	70	0	70	0	70	0	70	0	70	0	70	0	70		

† The arrow indicates the edge of the clock pulse used for reference: ↑ for the rising edge, ↓ for the falling edge.

electrical characteristics over recommended operating free-air temperature range (unless otherwise noted)

PARAMETER	TEST CONDITIONS†	'LS73A,'LS107A,'LS113A			'LS74A			'LS76A,'LS112A			'LS78A,'LS114A			'LS109A			UNIT
		MIN	TYP‡	MAX	MIN	TYP‡	MAX	MIN	TYP‡	MAX	MIN	TYP‡	MAX	MIN	TYP‡	MAX	
V <sub>IH</sub> High-level input voltage		2			2			2			2			2			V
V <sub>IL</sub> Low-level input voltage	Series 54LS	0.7			0.7			0.7			0.7			0.7			V
	Series 74LS	0.8			0.8			0.8			0.8			0.8			
V <sub>IK</sub> Input clamp voltage	V <sub>CC</sub> = MIN, I <sub>I</sub> = -18 mA	-1.5			-1.5			-1.5			-1.5			-1.5			V
V <sub>OH</sub> High-level output voltage	Series 54LS	V <sub>CC</sub> = MIN, V <sub>IH</sub> = 2 V, V <sub>IL</sub> = V <sub>IL</sub> max, I <sub>OH</sub> = -400 μA	2.5	3.4	2.5	3.4	2.5	3.4	2.5	3.4	2.5	3.4	2.5	3.4	V		
	Series 74LS		2.7	3.4	2.7	3.4	2.7	3.4	2.7	3.4	2.7	3.4	2.7	3.4			
V <sub>OL</sub> Low-level output voltage	Series 54LS	V <sub>CC</sub> = MIN, I <sub>OL</sub> = MAX	0.25	0.4	0.25	0.4	0.25	0.4	0.25	0.4	0.25	0.4	0.25	0.4	V		
	Series 74LS	V <sub>IL</sub> = V <sub>IL</sub> max, I <sub>OL</sub> = MAX	0.35	0.5	0.35	0.5	0.35	0.5	0.35	0.5	0.35	0.5	0.35	0.5			
	Series 74LS	V <sub>IH</sub> = 2 V, I <sub>OL</sub> = 4 mA	0.25	0.4	0.25	0.4	0.25	0.4	0.25	0.4	0.25	0.4	0.25	0.4			
I <sub>I</sub> Input current at maximum input voltage	D, J, K, or K̄	V <sub>CC</sub> = MAX, V <sub>I</sub> = 7 V	0.1			0.1			0.1			0.1			mA		
	Clear		0.3			0.2			0.3			0.6					
	Preset		0.3			0.2			0.3			0.2					
	Clock		0.4			0.1			0.4			0.8					
I <sub>IH</sub> High-level input current	D, J, K, or K̄	V <sub>CC</sub> = MAX, V <sub>I</sub> = 2.7 V	20			20			20			20			μA		
	Clear		60			40			60			120					
	Preset		60			40			60			60					
	Clock		80			20			80			160					
I <sub>IL</sub> Low-level input current	D, J, K, or K̄	V <sub>CC</sub> = MAX, V <sub>I</sub> = 0.4 V	-0.4			-0.4			-0.4			-0.4			mA		
	Clear		-0.8			-0.8			-0.8			-1.6					
	Preset		-0.8			-0.8			-0.8			-0.8					
	Clock		-0.8			-0.4			-0.8			-1.6					
I <sub>OS</sub> Short-circuit output current*	Series 54LS	V <sub>CC</sub> = MAX, See Note 1	-20	-100	-20	-100	-20	-100	-20	-100	-20	-100	-20	-100	mA		
	Series 74LS		-20	-100	-20	-100	-20	-100	-20	-100	-20	-100	-20	-100			
I <sub>CC</sub> Supply current (Total)		V <sub>CC</sub> = MAX, See Note 2	4	6	4	8	4	6	4	6	4	6	4	8	mA		

† For conditions shown as MIN or MAX, use the appropriate value specified under recommended operating conditions.

‡ All typical values are at V<sub>CC</sub> = 5 V, T<sub>A</sub> = 25°C.

\* Not more than one output should be shorted at a time, and duration of short circuit should not exceed one second.

NOTES: 1. For certain devices where state commutation can be caused by shorting an output to ground, an equivalent test may be performed with V<sub>O</sub> = 2.25 V and 2.125 V for the 54 family and the 74 family, respectively, with the minimum and maximum limits reduced to one half of their stated values.

2. With all outputs open, I<sub>CC</sub> is measured with the Q and Q̄ outputs high in turn. At the time of measurement, the clock input is grounded.

switching characteristics,  $V_{CC} = 5\text{ V}$ ,  $T_A = 25^\circ\text{C}$

PARAMETER <sup>†</sup>	FROM (INPUT)	TO (OUTPUT)	TEST CONDITIONS	'LS73A,'LS76A,'LS78A, 'LS107A,'LS112A, 'LS113A,'LS114A			'LS74A,'LS109A			UNIT
				MIN	TYP	MAX	MIN	TYP	MAX	
$f_{\text{max}}$			$C_L = 15\text{ pF}$ ,	30	45		25	33		MHz
$t_{\text{PLH}}$	Clear, preset, or	$Q$ or $\bar{Q}$	$R_L = 2\text{ k}\Omega$ ,				13	25		ns
$t_{\text{PHL}}$	clock (as appropriate)		See Note 2	15	20		25	40		ns

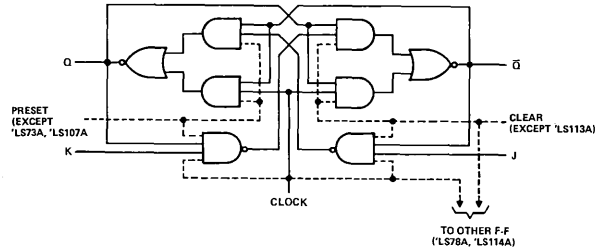
<sup>†</sup> $f_{\text{max}}$  = maximum clock frequency

$t_{\text{PLH}}$  = propagation delay time, low-to-high-level output

$t_{\text{PHL}}$  = propagation delay time, high-to-low-level output

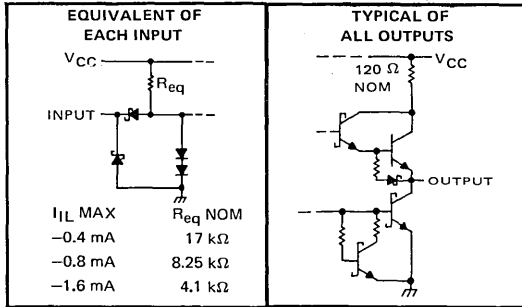
NOTE 2: Load circuit and voltage waveforms are shown on page 3-11.

functional block diagrams and schematics of inputs and outputs

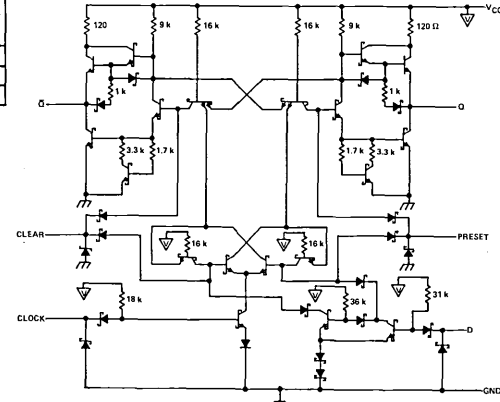


- 'LS73A, 'LS107A—DUAL J-K WITH CLEAR
- 'LS76A, 'LS112A—DUAL J-K WITH CLEAR AND PRESET
- 'LS78A, 'LS114A—DUAL J-K WITH PRESET, COMMON CLEAR, AND COMMON CLOCK
- 'LS113A—DUAL J-K WITH PRESET

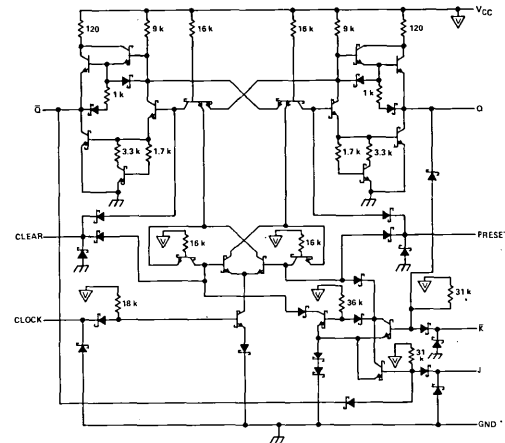
'LS73A, 'LS76A, 'LS78A, 'LS107A, 'LS112A, 'LS113A, 'LS114A



schematics of 'LS74A and 'LS109A



'LS74A—DUAL D WITH CLEAR AND PRESET



'LS109A—DUAL J-K WITH CLEAR AND PRESET

SERIES 54LS/74LS FLIP-FLOPS

TEXAS INSTRUMENTS  
INCORPORATED  
POST OFFICE BOX 225012 • DALLAS, TEXAS 75265



## recommended operating conditions

		SERIES 54S/74S			'S74			'S112			'S113			'S114			UNIT
					MIN	NOM	MAX	MIN	NOM	MAX	MIN	NOM	MAX	MIN	NOM	MAX	
Supply voltage, $V_{CC}$		Series 54S			4.5	5	5.5	4.5	5	5.5	4.5	5	5.5	4.5	5	5.5	V
		Series 74S			4.75	5	5.25	4.75	5	5.25	4.75	5	5.25	4.75	5	5.25	
High-level output current, $I_{OH}$					-1			-1			-1			-1			mA
Low-level output current, $I_{OL}$					20			20			20			20			mA
Pulse width, $t_w$		Clock high			6			6			6			6			ns
		Clock low			7.3			6.5			6.5			6.5			
		Clear or preset low			7			8			8			8			
Input setup time, $t_{su}$		High-level data			3†			3‡			3‡			3‡			ns
		Low-level data			3†			3‡			3‡			3‡			
Input hold time, $t_h$					2†			0‡			0‡			0‡			ns
Operating free-air temperature, $T_A$		Series 54S			-55	125		-55	125		-55	125		-55	125		°C
		Series 74S			0	70		0	70		0	70		0	70		

†‡The arrow indicates the edge of the clock pulse used for reference: † for the rising edge, ‡ for the falling edge.

## electrical characteristics over recommended operating free-air temperature range (unless otherwise noted)

PARAMETER		TEST CONDITIONS†		'S74		'S112		'S113		'S114		UNIT
				MIN	TYP‡	MAX	MIN	TYP‡	MAX	MIN	TYP‡	
$V_{IH}$	High-level input voltage			2		2		2		2		V
$V_{IL}$	Low-level input voltage			0.8		0.8		0.8		0.8		V
$V_{IK}$	Input clamp voltage	$V_{CC} = \text{MIN}, I_I = -18 \text{ mA}$		-1.2		-1.2		-1.2		-1.2		V
$V_{OH}$	High-level output voltage	Series 54S	$V_{CC} = \text{MIN}, V_{IH} = 2 \text{ V},$	2.5	3.4	2.5	3.4	2.5	3.4	2.5	3.4	V
		Series 74S	$V_{IL} = 0.8 \text{ V}, I_{OH} = -1 \text{ mA}$	2.7	3.4	2.7	3.4	2.7	3.4	2.7	3.4	
$V_{OL}$	Low-level output voltage	$V_{CC} = \text{MIN}, V_{IH} = 2 \text{ V},$ $V_{IL} = 0.8 \text{ V}, I_{OL} = 20 \text{ mA}$		0.5		0.5		0.5		0.5		V
$I_I$	Input current at maximum input voltage	$V_{CC} = \text{MAX}, V_I = 5.5 \text{ V}$		1		1		1		1		mA
$I_{IH}$	High-level input current	J, K, or D	$V_{CC} = \text{MAX}, V_I = 2.7 \text{ V}$	50		50		50		50		$\mu\text{A}$
		Clear		150		100		200				
		Preset		100		100		100				
		Clock		100		100		100				
$I_{IL}$	Low-level input current	J, K, or D	$V_{CC} = \text{MAX}, V_I = 0.5 \text{ V}$	-2		-1.6		-1.6		-1.6		mA
		Clear *		-6		-7		-14				
		Preset *		-4		-7		-7				
		Clock		-4		-4		-4				
$I_{OS}$	Short-circuit output current*	$V_{CC} = \text{MAX}$		-40	-100	-40	-100	-40	-100	-40	-100	mA
$I_{CC}$	Supply current (average per flip-flop)	$V_{CC} = \text{MAX},$ See Note 1		15	25	15	25	15	25	15	25	mA

†For conditions shown as MIN or MAX, use the appropriate value specified under recommended operating conditions

‡All typical values are at  $V_{CC} = 5 \text{ V}, T_A = 25^\circ\text{C}$ .

\*Not more than one output should be shorted at a time, and duration of short-circuit should not exceed one second.

†Clear is tested with preset high and preset is tested with clear high.

NOTE 1: With all outputs open,  $I_{CC}$  is measured with the Q and  $\bar{Q}$  outputs high in turn. At the time of measurement, the clock input is grounded.

switching characteristics,  $V_{CC} = 5\text{ V}$ ,  $T_A = 25^\circ\text{C}$

PARAMETER <sup>†</sup>	FROM (INPUT)	TO (OUTPUT)	TEST CONDITIONS	'S74			'S112, 'S113, 'S114			UNIT
				MIN	TYP	MAX	MIN	TYP	MAX	
$f_{\text{max}}$			$C_L = 15\text{ pF}$ , $R_L = 280\ \Omega$ , See Note 2	75	110		80	125		MHz
$t_{\text{PLH}}$	Preset or clear	Q or $\bar{Q}$		4	6		4	7		ns
$t_{\text{PHL}}$	Preset or clear (clock high)	$\bar{Q}$ or Q		9	13.5		5	7		ns
	Preset or clear (clock low)			5	8		5	7		
$t_{\text{PLH}}$	Clock	Q or $\bar{Q}$		6	9		4	7		ns
$t_{\text{PHL}}$				6	9		5	7		

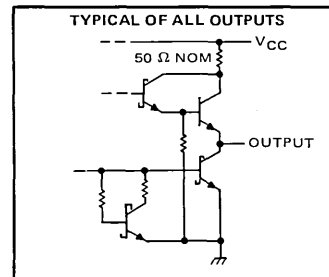
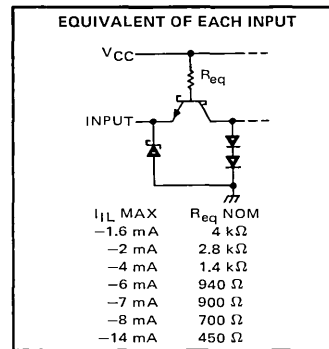
<sup>†</sup> $f_{\text{max}}$  ≡ maximum clock frequency

$t_{\text{PLH}}$  ≡ propagation delay time, low-to-high-level output

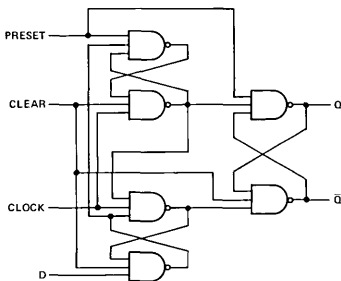
$t_{\text{PHL}}$  ≡ propagation delay time, high-to-low-level output

NOTE 2: Load circuit and voltage waveforms are shown on page 3-10.

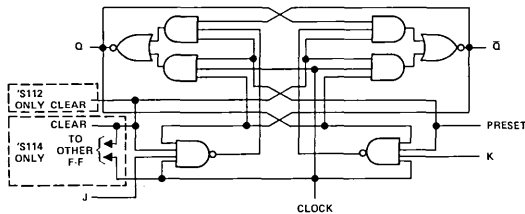
schematics of inputs and outputs



functional block diagrams



'S74—DUAL D WITH CLEAR AND PRESET



'S112—DUAL J-K WITH CLEAR AND PRESET

'S113—DUAL J-K WITH PRESET

'S114—DUAL J-K WITH PRESET, COMMON CLEAR, AND COMMON CLOCK

SERIES 54S/74S FLIP-FLOPS

recommended operating conditions

	54 FAMILY	SN54279			SN54LS279			UNIT
	74 FAMILY	MIN	NOM	MAX	MIN	NOM	MAX	
Supply voltage, $V_{CC}$	54 Family	4.5	5	5.5	4.5	5	5.5	V
	74 Family	4.75	5	5.25	4.75	5	5.25	
High-level output current, $I_{OH}$				-800			-400	$\mu$ A
Low-level output current, $I_{OL}$	54 Family			16			4	mA
	74 Family			16			8	
Operating free-air temperature, $T_A$	54 Family	-55		125	-55		125	$^{\circ}$ C
	74 Family	0		70	0		70	

electrical characteristics over recommended free-air operating temperature range (unless otherwise noted)

PARAMETER	TEST CONDITIONS†	SN54279 SN74279			SN54LS279 SN74LS279			UNIT
		MIN	TYP‡	MAX	MIN	TYP‡	MAX	
$V_{IH}$ High-level output voltage		2			2			V
$V_{IL}$ Low-level output voltage	54 Family			0.8			0.7	V
	74 Family			0.8			0.8	
$V_{IK}$ Input clamp voltage	$V_{CC} = \text{MIN}, I_I = \S$			-1.5			-1.5	V
$V_{OH}$ High-level output voltage	$V_{CC} = \text{MIN}, V_{IH} = 2 \text{ V}, V_{IL} = V_{IL \text{ max}}, I_{OH} = \text{MAX}$	54 Family	2.4	3.4	2.5	3.4		V
		74 Family	2.4	3.4	2.7	3.4		
$V_{OL}$ Low-level output voltage	$V_{CC} = \text{MIN}, V_{IL} = V_{IL \text{ max}}, V_{IH} = 2 \text{ V}$	$I_{OL} = \text{MAX}$	54 Family	0.2	0.4	0.25	0.4	V
			74 Family	0.2	0.4	0.35	0.5	
		$I_{OL} = 4 \text{ mA}$	Series 74LS			0.35	0.4	
$I_I$ Input current at maximum input voltage	$V_{CC} = \text{MAX}$	$V_I = 5.5 \text{ V}$		1				mA
		$V_I = 7 \text{ V}$					0.1	
$I_{IH}$ High-level input current	$V_{CC} = \text{MAX}$	$V_I = 2.4 \text{ V}$		40				$\mu$ A
		$V_I = 2.7 \text{ V}$					20	
$I_{IL}$ Low-level input current	$V_{CC} = \text{MAX}, V_I = 0.4 \text{ V}$			-1.6			-0.4	mA
$I_{OS}$ Short-circuit output current* <sup>‡</sup>	$V_{CC} = \text{MAX}$	54 Family	-18	-55	-20		-100	mA
		74 Family	-18	-57	-20		-100	
$I_{CC}$ Supply current	$V_{CC} = \text{MAX},$ See note 1		18	30		3.8	7	mA

† For conditions shown as MIN or MAX, use the appropriate value specified under recommended operating conditions.

‡ All typical values are at  $V_{CC} = 5 \text{ V}, T_A = 25^{\circ}\text{C}$ .

§  $I_I = -12 \text{ mA}$  for SN54'/SN74' and  $-18 \text{ mA}$  for SN54LS'/SN74LS'.

\* Not more than one output should be shorted at a time, and for SN54LS'/SN74LS', duration of the output short circuit should not exceed one second.

NOTE 1:  $I_{CC}$  is measured with all  $\bar{R}$  inputs grounded, all  $\bar{S}$  inputs at 4.5 V, and all outputs open.

switching characteristics,  $V_{CC} = 5\text{ V}$ ,  $T_A = 25^\circ\text{C}$

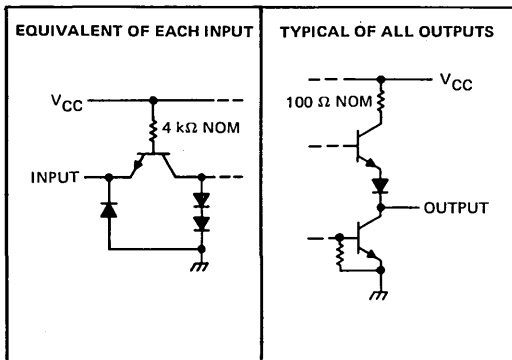
PARAMETER	TEST CONDITIONS	'279			'LS279			UNIT
		MIN	TYP	MAX	MIN	TYP	MAX	
$t_{PLH}$ Propagation delay time, low-to-high-level output from $\bar{S}$ input	$C_L = 15\text{ pF}$ , See Notes 2 and 3		12	22	12	22	ns	
$t_{PHL}$ Propagation delay time, high-to-low-level output from $\bar{S}$ input			9	15	13	21		
$t_{PHL}$ Propagation delay time, high-to-low-level output from $\bar{R}$ input			15	27	15	27		

NOTE 2: Load circuit and voltage waveforms are shown on pages 3-10 and 3-11.

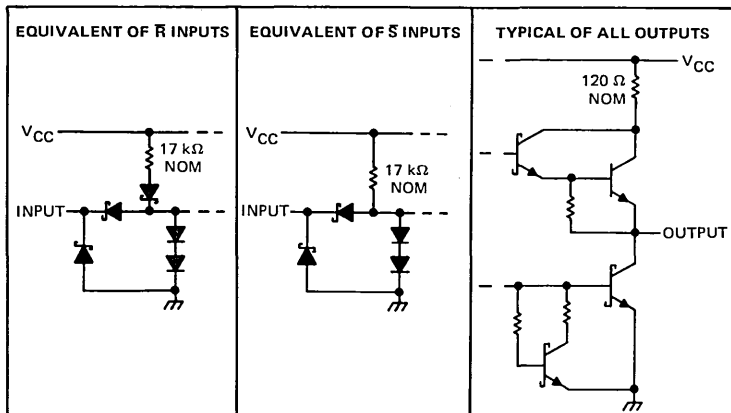
NOTE 3:  $R_L = 400\ \Omega$  for '279,  $R_L = 2\text{ k}\Omega$  for 'LS279.

### schematics of inputs and outputs

#### '279 CIRCUITS



#### 'LS279 CIRCUITS



# SN54LS63, SN74LS63 HEX CURRENT-SENSING INTERFACE GATES WITH TOTEM-POLE OUTPUTS

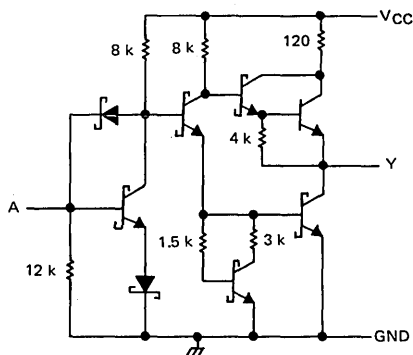
- Translates low-level input current to low-level output voltage
- Translates high-level input current to high-level output voltage
- Interfaces to PLA's or other logic elements that source current but do not sink current
- Operates from a single 5 V supply
- TTL compatible
- Low power dissipation . . . 40 mW typical

## description

Each of these Schottky-clamped interface gates is able to discriminate between low-level ( $\leq 50 \mu\text{A}$ ) and high-level ( $\geq 200 \mu\text{A}$ ) input currents.

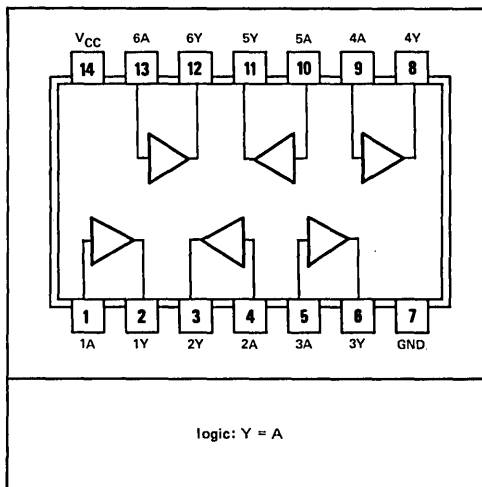
The outputs are fabricated with standard Low-Power Schottky design rules and are compatible with all TTL families.

## schematic (each gate)



Resistor values shown are nominal and in ohms.

SN54LS63 . . . J OR W PACKAGE  
SN74LS63 . . . J OR N PACKAGE



logic:  $Y = A$

## recommended operating conditions

	SN54LS63			SN74LS63			UNIT
	MIN	NOM	MAX	MIN	NOM	MAX	
Supply voltage, $V_{CC}$	4.5	5	5.5	4.75	5	5.25	V
High-level output current, $I_{OH}$			-400			-400	$\mu\text{A}$
Low-level output current, $I_{OL}$			4			8	mA
Input current, $I_I$			1			1	mA
Operating free-air temperature, $T_A$	-55		125	0		70	$^{\circ}\text{C}$

# TYPES SN54LS63, SN74LS63 HEX CURRENT-SENSING INTERFACE GATES WITH TOTEM-POLE OUTPUTS

electrical characteristics over recommended operating free-air temperature range (unless otherwise noted)

PARAMETER	TEST CONDITIONS†	SN54LS63			SN74LS63			UNIT
		MIN	TYP‡	MAX	MIN	TYP‡	MAX	
V <sub>I</sub> Input voltage	I <sub>I</sub> = 50 μA, V <sub>CC</sub> = MIN	0.35	1.05	1.75	0.6	1.05	1.6	V
	I <sub>I</sub> = 200 μA, V <sub>CC</sub> = MAX	0.6	1.30	2	0.85	1.30	1.8	
V <sub>OH</sub> High-level output voltage	V <sub>CC</sub> = MAX, I <sub>I</sub> = 200 μA, I <sub>OH</sub> = -400 μA,	3.5	3.4		3.2	3.4		V
V <sub>OL</sub> Low-level output voltage	V <sub>CC</sub> = MIN, I <sub>I</sub> = 50 μA	I <sub>OL</sub> = 4 mA		0.25	0.4	0.25		0.4
		I <sub>OL</sub> = 8 mA				0.35		0.5
I <sub>OS</sub> Short-circuit output current §	V <sub>CC</sub> = MAX, I <sub>I</sub> = 600 μA	-20	-100		-20	-100		mA
I <sub>CC</sub> Supply current	V <sub>CC</sub> = MAX, See Note 1	8		16	8		16	mA

† For conditions shown as MIN or MAX, use the appropriate value specified under recommended operating conditions.

‡ All typical values are at V<sub>CC</sub> = 5 V, T<sub>A</sub> = 25°C.

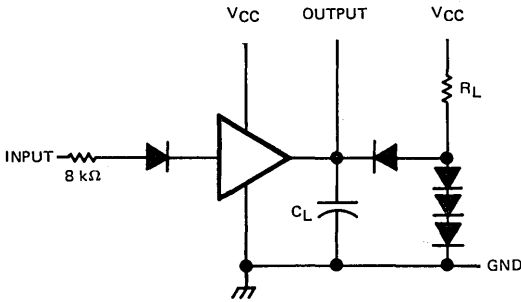
§ Not more than one output should be shorted at a time, and duration of output short circuit should not exceed one second.

NOTE 1: I<sub>CC</sub> is measured with inputs and outputs open.

switching characteristics, V<sub>CC</sub> = 5 V, T<sub>A</sub> = 25°C

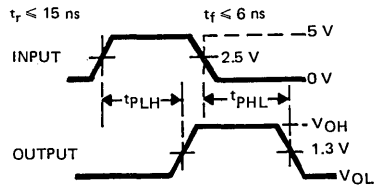
PARAMETER	TEST CONDITIONS	MIN	TYP	MAX	UNIT
t <sub>PLH</sub> Propagation delay time, low-to-high-level output	C <sub>L</sub> = 15 pF,		27	45	ns
t <sub>PHL</sub> Propagation delay time, high-to-low-level output	R <sub>L</sub> = 2 kΩ	15	25		ns

## PARAMETER MEASUREMENT INFORMATION



NOTES: a. C<sub>L</sub> includes probe and jig capacitance  
b. All diodes are 1N916 or 1N3064

TEST CIRCUIT



VOLTAGE WAVEFORMS

# TYPES SN54121, SN54L121, SN74121, SN74L121 MONOSTABLE MULTIVIBRATORS WITH SCHMITT-TRIGGER INPUTS

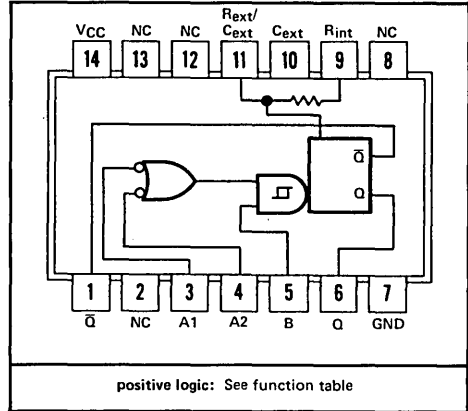
- Programmable Output Pulse Width  
With  $R_{int}$  . . . 35 ns Typ  
With  $R_{ext}/C_{ext}$  . . . 40 ns to 28 Seconds
- Internal Compensation for Virtual Temperature Independence
- Jitter-Free Operation up to 90% Duty Cycle
- Inhibit Capability

FUNCTION TABLE

INPUTS			OUTPUTS	
A1	A2	B	Q	$\bar{Q}$
L	X	H	L	H
X	L	H	L	H
X	X	L	L	H
H	H	X	L	H
H	↓	H		
↓	H	H		
↓	↓	H		
L	X	↑		
X	L	↑		

For explanation of function table symbols, see page 3-8.

SN54121 . . . J OR W PACKAGE  
SN54L121 . . . J OR T PACKAGE  
SN74121, SN74L121 . . . J OR N PACKAGE



NC—No internal connection

- NOTES: 1. An external capacitor may be connected between  $C_{ext}$  (positive) and  $R_{ext}/C_{ext}$ .
2. To use the internal timing resistor, connect  $R_{int}$  to  $V_{CC}$ . For improved pulse width accuracy and repeatability, connect an external resistor between  $R_{ext}/C_{ext}$  and  $V_{CC}$  with  $R_{int}$  open-circuited.

## description

These multivibrators feature dual negative-transition-triggered inputs and a single positive-transition-triggered input which can be used as an inhibit input. Complementary output pulses are provided.

Pulse triggering occurs at a particular voltage level and is not directly related to the transition time of the input pulse. Schmitt-trigger input circuitry (TTL hysteresis) for the B input allows jitter-free triggering from inputs with transition rates as slow as 1 volt/second, providing the circuit with an excellent noise immunity of typically 1.2 volts. A high immunity to  $V_{CC}$  noise of typically 1.5 volts is also provided by internal latching circuitry.

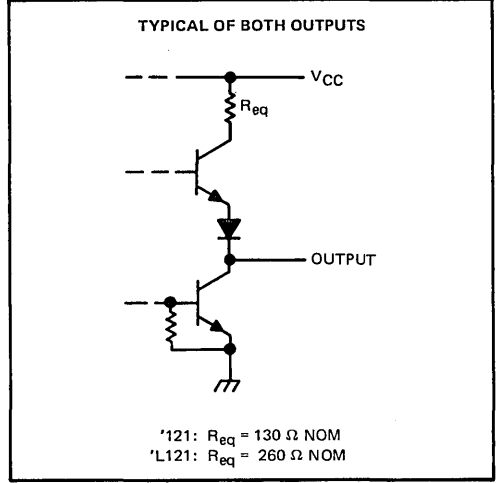
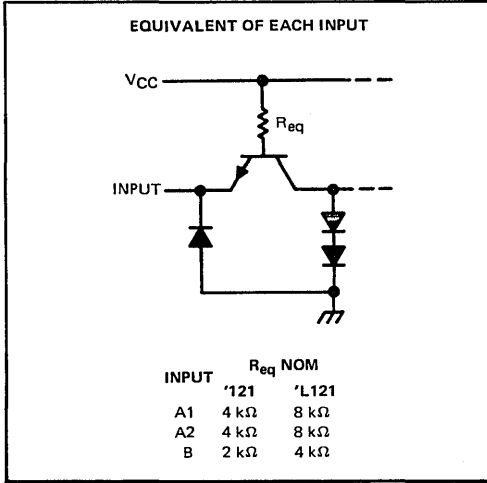
Once fired, the outputs are independent of further transitions of the inputs and are a function only of the timing components. Input pulses may be of any duration relative to the output pulse. Output pulse length may be varied from 40 nanoseconds to 28 seconds by choosing appropriate timing components. With no external timing components (i.e.,  $R_{int}$  connected to  $V_{CC}$ ,  $C_{ext}$  and  $R_{ext}/C_{ext}$  open), an output pulse of typically 30 or 35 nanoseconds is achieved which may be used as a d-c triggered reset signal. Output rise and fall times are TTL compatible and independent of pulse length.

Pulse width stability is achieved through internal compensation and is virtually independent of  $V_{CC}$  and temperature. In most applications, pulse stability will only be limited by the accuracy of external timing components.

Jitter-free operation is maintained over the full temperature and  $V_{CC}$  ranges for more than six decades of timing capacitance (10 pF to 10  $\mu$ F) and more than one decade of timing resistance (2 k $\Omega$  to 30 k $\Omega$  for the SN54121/SN54L121 and 2 k $\Omega$  to 40 k $\Omega$  for the SN74121/SN74L121). Throughout these ranges, pulse width is defined by the relationship  $t_{w(out)} = C_{ext}R_T \ln 2 \approx 0.7 C_{ext}R_T$ . In circuits where pulse cutoff is not critical, timing capacitance up to 1000  $\mu$ F and timing resistance as low as 1.4 k $\Omega$  may be used. Also, the range of jitter-free output pulse widths is extended if  $V_{CC}$  is held to 5 volts and free-air temperature is 25°C. Duty cycles as high as 90% are achieved when using maximum recommended  $R_T$ . Higher duty cycles are available if a certain amount of pulse-width jitter is allowed.

# TYPES SN54121, SN54L121, SN74121, SN74L121 MONOSTABLE MULTIVIBRATORS WITH SCHMITT-TRIGGER INPUTS

## schematics of inputs and outputs



## recommended operating conditions

	54 FAMILY 74 FAMILY	SN54121 SN74121			SN54L121 SN74L121			UNIT
		MIN	NOM	MAX	MIN	NOM	MAX	
Supply voltage, VCC	54 Family	4.5	5	5.5	4.5	5	5.5	V
	74 Family	4.75	5	5.25	4.75	5	5.25	
High-level output current, IOH				-400			-200	μA
Low-level output current, IOL				16			8	mA
Rate of rise or fall of input pulse, dv/dt	Schmitt input, B	1			1			V/s
	Logic inputs, A1, A2	1			1			V/μs
Input pulse width, tw(in)		50			100			ns
External timing resistance, Rext	54 Family	1.4		30	1.4		30	kΩ
	74 Family	1.4		40	1.4		40	
External timing capacitance, Cext		0		1000	0		1000	μF
Duty cycle	RT = 2 kΩ			67			67	%
	RT = MAX Rext			90			90	
Operating free-air temperature, TA	54 Family	-55		125	-55		125	°C
	74 Family	0		70	0		70	

6



# TYPES SN54121, SN54L121, SN74121, SN74L121

## MONOSTABLE MULTIVIBRATORS

### WITH SCHMITT-TRIGGER INPUTS

electrical characteristics over recommended operating free-air temperature range (unless otherwise noted)

PARAMETER	TEST CONDITIONS†	SN54121 SN74121		SN54L121 SN74L121		UNIT			
		MIN	TYP‡	MAX	MIN		TYP‡	MAX	
V <sub>T+</sub>	Positive-going threshold voltage at A input	V <sub>CC</sub> = MIN		1.4	2	1.4	2	V	
V <sub>T-</sub>	Negative-going threshold voltage at A input	V <sub>CC</sub> = MIN		0.8	1.4	0.8	1.4	V	
V <sub>T+</sub>	Positive-going threshold voltage at B input	V <sub>CC</sub> = MIN		1.55 2		1.55 2		V	
V <sub>T-</sub>	Negative-going threshold voltage at B input	V <sub>CC</sub> = MIN		0.8	1.35	0.8	1.35	V	
V <sub>IK</sub>	Input clamp voltage	V <sub>CC</sub> = MIN, I <sub>I</sub> = -12 mA		-1.5		-1.5		V	
V <sub>OH</sub>	High-level output voltage	V <sub>CC</sub> = MIN, I <sub>OH</sub> = MAX		2.4	3.4	2.4	3.4	V	
V <sub>OL</sub>	Low-level output voltage	V <sub>CC</sub> = MIN, I <sub>OL</sub> = MAX		0.2	0.4	0.2	0.4	V	
I <sub>I</sub>	Input current at maximum input voltage	V <sub>CC</sub> = MAX, V <sub>I</sub> = 5.5 V		1		1		mA	
I <sub>IH</sub>	High-level input current	V <sub>CC</sub> = MAX, V <sub>I</sub> = 2.4 V		A1 or A2		40		20	μA
				B		80		40	
I <sub>IL</sub>	Low-level input current	V <sub>CC</sub> = MAX, V <sub>I</sub> = 0.4 V		A1 or A2		-1.6		-0.8	mA
				B		-3.2		-1.6	
I <sub>OS</sub>	Short-circuit output current*‡	V <sub>CC</sub> = MAX		54 Family		-20 -55		-10 -27	mA
				74 Family		-18 -55		-9 -27	
I <sub>CC</sub>	Supply current	V <sub>CC</sub> = MAX		Quiescent		13 25		7 12	mA
				Triggered		23 40		9 20	

† For conditions shown as MIN or MAX, use the appropriate value specified under recommended operating conditions.

‡ All typical values are at V<sub>CC</sub> = 5 V, T<sub>A</sub> = 25°C.

\* Not more than one output should be shorted at a time.

switching characteristics, V<sub>CC</sub> = 5 V, T<sub>A</sub> = 25°C

PARAMETER	TEST CONDITIONS	'121			'L121			UNIT			
		MIN	TYP	MAX	MIN	TYP	MAX				
t <sub>PLH</sub>	Propagation delay time, low-to-high-level Q output from either A input	C <sub>L</sub> = 15 pF, R <sub>L</sub> = 400 Ω for '121, R <sub>L</sub> = 800 Ω for 'L121, See Note 3			45	70	140	ns			
t <sub>PLH</sub>	Propagation delay time, low-to-high-level Q output from B input				35	55	110	ns			
t <sub>PHL</sub>	Propagation delay time, high-to-low-level Q output from either A input				50	80	160	ns			
t <sub>PHL</sub>	Propagation delay time, high-to-low-level Q output from B input				40	65	130	ns			
t <sub>w(out)</sub>	Pulse width obtained using internal timing resistor				70	110	150	70	225	260	ns
t <sub>w(out)</sub>	Pulse width obtained with zero timing capacitance				30	50	35	70	ns		
t <sub>w(out)</sub>	Pulse width obtained using external timing resistor				600	700	800	600	700	850	ns
					6	7	8	6	7	8	ms

NOTE 3: Load circuit and voltage waveforms are shown on pages 3-10 and 3-11.

# TYPES SN54121, SN54L121, SN74121, SN74L121 MONOSTABLE MULTIVIBRATORS WITH SCHMITT-TRIGGER INPUTS

## TYPICAL CHARACTERISTICS<sup>§</sup>

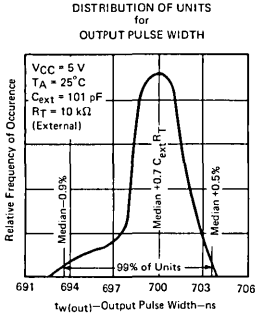


FIGURE 1

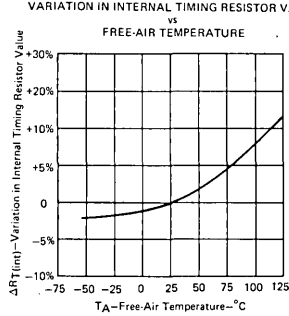


FIGURE 2

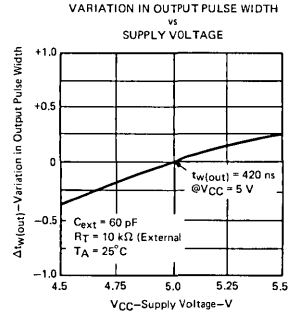


FIGURE 3

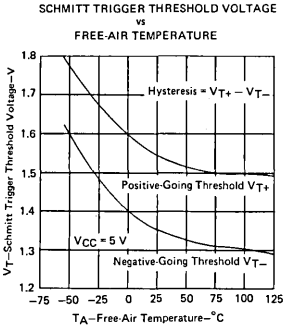


FIGURE 4

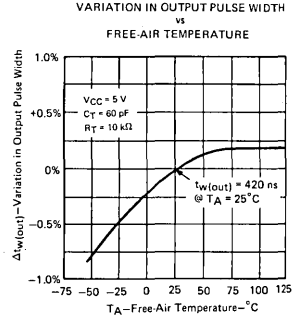


FIGURE 5

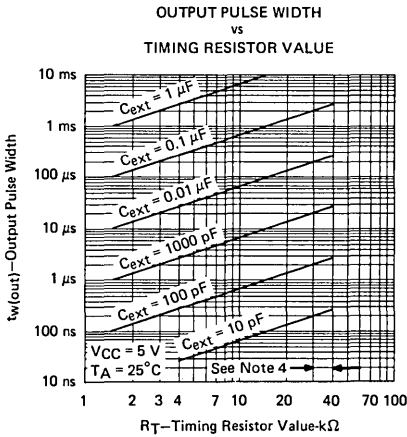


FIGURE 6

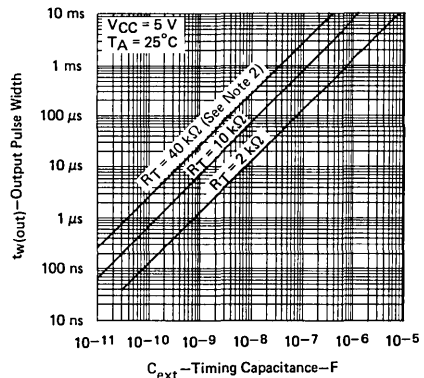


FIGURE 7

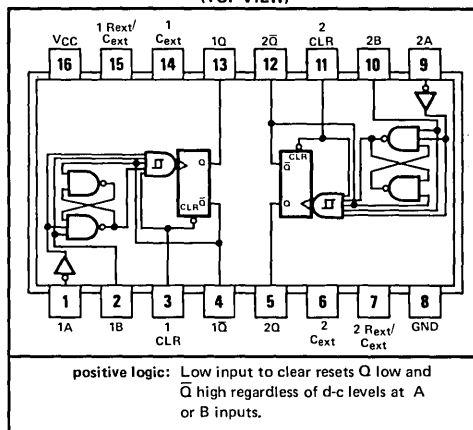
NOTE 4: These values of resistance exceed the maximum recommended for use over the full temperature range of the SN54L121.  
<sup>§</sup>Data for temperatures below 0°C and above 70°C are applicable for SN54121 and SN54L121.

# TYPES SN54221, SN54LS221, SN74221, SN74LS221 DUAL MONOSTABLE MULTIVIBRATORS WITH SCHMITT-TRIGGER INPUTS

- SN54221, SN54LS221, SN74221 and SN74LS221 Are Dual Versions of Highly Stable SN54121, SN74121 One-Shots on a Monolithic Chip
- SN54221 and SN74221 Demonstrate Electrical and Switching Characteristics That Are Virtually Identical to the SN54121, SN74121 One-Shots
- Pin-Out Is Identical to the SN54123 SN74123, SN54LS123, SN74LS123
- Overriding Clear Terminates Output Pulse

TYPE	TYPICAL POWER DISSIPATION	MAXIMUM OUTPUT PULSE LENGTH
SN54221	130 mW	21 s
SN74221	130 mW	28 s
SN54LS221	23 mW	49 s
SN74LS221	23 mW	70 s

SN54221, SN54LS221 . . . J OR W PACKAGE  
SN74221, SN74LS221 . . . J OR N PACKAGE  
(TOP VIEW)



positive logic: Low input to clear resets Q low and  $\bar{Q}$  high regardless of d-c levels at A or B inputs.

## description

The '221 and 'LS221 are monolithic dual multivibrators with performance characteristics virtually identical to those of the '121. Each multivibrator features a negative-transition-triggered input and a positive-transition-triggered input either of which can be used as an inhibit input.

Pulse triggering occurs at a particular voltage level and is not directly related to the transition time of the input pulse. Schmitt-trigger input circuitry (TTL hysteresis) for B input allows jitter-free triggering from inputs with transition rates as slow as 1 volt/second, providing the circuit with excellent noise immunity of typically 1.2 volts. A high immunity to  $V_{CC}$  noise of typically 1.5 volts is also provided by internal latching circuitry.

Once fired, the outputs are independent of further transitions of the A and B inputs and are a function of the timing components, or the output pulses can be terminated by the overriding clear. Input pulses may be of any duration relative to the output pulse. Output pulse length may be varied from 35 nanoseconds to the maximums shown in the above table by choosing appropriate timing components. With  $R_{ext} = 2 \text{ k}\Omega$  and  $C_{ext} = 0$ , an output pulse of typically 30 nanoseconds is achieved which may be used as a d-c-triggered reset signal. Output rise and fall times are TTL compatible and independent of pulse length. Typical triggering and clearing sequences are illustrated as a part of the switching characteristics waveforms.

Pulse width stability is achieved through internal compensation and is virtually independent of  $V_{CC}$  and temperature. In most applications, pulse stability will only be limited by the accuracy of external timing components.

Jitter-free operation is maintained over the full temperature and  $V_{CC}$  ranges for more than six decades of timing capacitance (10 pF to 10  $\mu\text{F}$ ) and more than one decade of timing resistance (2 k $\Omega$  to 30 k $\Omega$  for the SN54221, 2 k $\Omega$  to 40 k $\Omega$  for the SN74221, 2 k $\Omega$  to 70 k $\Omega$  for the SN54LS221, and 2 k $\Omega$  to 100 k $\Omega$  for the SN74LS221). Throughout these ranges, pulse width is defined by the relationship:  $t_w(\text{out}) = C_{ext}R_{ext} \ln 2 \approx 0.7 C_{ext}R_{ext}$ . In circuits where pulse cutoff is not critical, timing capacitance up to 1000  $\mu\text{F}$  and timing resistance as low as 1.4 k $\Omega$  may be used. Also, the range of jitter-free output pulse widths is extended if  $V_{CC}$  is

FUNCTION TABLE  
(EACH MONOSTABLE)

INPUTS			OUTPUTS	
CLEAR	A	B	Q	$\bar{Q}$
L	X	X	L	H
X	H	X	L	H
X	X	L	L	H
H	L	↑		
H	↓	↑		
↑	L	H		

Also see description and switching characteristics

See explanation of function tables on page 3-8.

# TYPES SN54221, SN54LS221, SN74221, SN74LS221

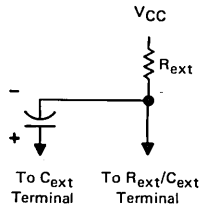
## DUAL MONOSTABLE MULTIVIBRATORS WITH SCHMITT-TRIGGER INPUTS

### description (continued)

held to 5 volts and free-air temperature is 25°C. Duty cycles as high as 90% are achieved when using maximum recommended  $R_T$ . Higher duty cycles are available if a certain amount of pulse-width jitter is allowed.

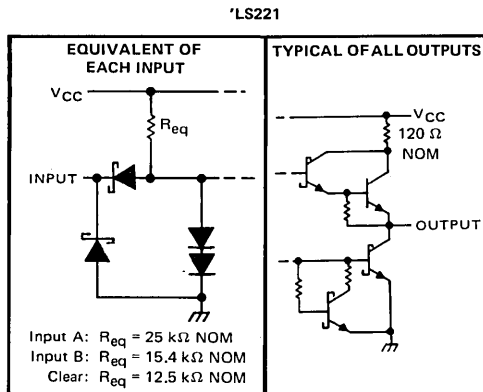
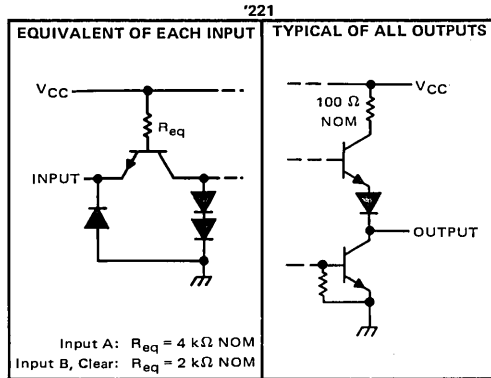
The variance in output pulse width from device to device is typically less than  $\pm 0.5\%$  for given external timing components. An example of this distribution for the '221 is shown in Figure 2. Variations in output pulse width versus supply voltage and temperature for the '221 are shown in Figure 3 and 4, respectively.

Pin assignments for these devices are identical to those of the SN54123/SN74123 or SN54LS123/SN74LS123 so that the '221 or 'LS221 can be substituted for those products in systems not using the retrigger by merely changing the value of  $R_{ext}$  and/or  $C_{ext}$ .



TIMING COMPONENT CONNECTIONS

### schematics of inputs and outputs



# TYPES SN54221, SN74221 DUAL MONOSTABLE MULTIVIBRATORS WITH SCHMITT-TRIGGER INPUTS

## recommended operating conditions

	SN54221			SN74221			UNIT
	MIN	NOM	MAX	MIN	NOM	MAX	
Supply voltage, $V_{CC}$	4.5	5	5.5	4.75	5	5.25	V
High-level output current, $I_{OH}$			-800			-800	$\mu$ A
Low-level output current, $I_{OL}$			16			16	mA
Rate of rise or fall of input pulse, $dv/dt$	Schmitt input, B	1		1			V/s
	Logic input, A	1		1			V/ $\mu$ s
Input pulse width	A or B, $t_{w(in)}$	50		50			ns
	Clear, $t_{w(clear)}$	20		20			
Clear-inactive-state setup time, $t_{su}$		15		15			ns
External timing resistance, $R_{ext}$	1.4		30	1.4		40	k $\Omega$
External timing capacitance, $C_{ext}$	0		1000	0		1000	$\mu$ F
Output duty cycle	$R_{ext} = 2 \text{ k}\Omega$		67			67	%
	$R_{ext} = \text{MAX } R_{ext}$		90			90	
Operating free-air temperature, $T_A$	-55		125	0		70	$^{\circ}$ C

## electrical characteristics over recommended operating free-air temperature range (unless otherwise noted)

PARAMETER	TEST CONDITIONS <sup>†</sup>	MIN	TYP <sup>‡</sup>	MAX	UNIT
$V_{T+}$ Positive-going threshold voltage at A input	$V_{CC} = \text{MIN}$		1.4	2	V
$V_{T-}$ Negative-going threshold voltage at A input	$V_{CC} = \text{MIN}$	0.8	1.4		V
$V_{T+}$ Positive-going threshold voltage at B input	$V_{CC} = \text{MIN}$		1.55	2	V
$V_{T-}$ Negative-going threshold voltage at B input	$V_{CC} = \text{MIN}$	0.8	1.35		V
$V_{IK}$ Input clamp voltage	$V_{CC} = \text{MIN}$ , $I_I = -12 \text{ mA}$			-1.5	V
$V_{OH}$ High-level output voltage	$V_{CC} = \text{MIN}$ , $I_{OH} = -800 \mu\text{A}$	2.4	3.4		V
$V_{OL}$ Low-level output voltage	$V_{CC} = \text{MIN}$ , $I_{OL} = 16 \text{ mA}$		0.2	0.4	V
$I_I$ Input current at maximum input voltage	$V_{CC} = \text{MAX}$ , $V_I = 5.5 \text{ V}$			1	mA
$I_{IH}$ High-level input current	$V_{CC} = \text{MAX}$ , $V_I = 2.4 \text{ V}$	Input A		40	$\mu$ A
		Input B, Clear		80	
$I_{IL}$ Low-level input current	$V_{CC} = \text{MAX}$ , $V_I = 0.4 \text{ V}$	Input A		-1.6	mA
		Input B, Clear		-3.2	
$I_{OS}$ Short-circuit output current <sup>§</sup>	$V_{CC} = \text{MAX}$	SN54221	-20	-55	mA
		SN74221	-18	-55	
$I_{CC}$ Supply current	$V_{CC} = \text{MAX}$	Quiescent	26	50	mA
		Triggered	46	80	

<sup>†</sup>For conditions shown as MIN or MAX, use the appropriate value specified under recommended operating conditions.

<sup>‡</sup>All typical values are at  $V_{CC} = 5 \text{ V}$ ,  $T_A = 25^{\circ}\text{C}$ .

<sup>§</sup>Not more than one output should be shorted at a time.

## switching characteristics, $V_{CC} = 5 \text{ V}$ , $T_A = 25^{\circ}\text{C}$

PARAMETER <sup>¶</sup>	FROM (INPUT)	TO (OUTPUT)	TEST CONDITIONS	MIN	TYP	MAX	UNIT	
$t_{PLH}$	A	Q	$C_L = 15 \text{ pF}$ , $R_L = 400 \Omega$ , See Figure 1 and Note 2	$C_{ext} = 80 \text{ pF}$ , $R_{ext} = 2 \text{ k}\Omega$	45	70	ns	
	B	$\bar{Q}$			35	55		
$t_{PHL}$	A	$\bar{Q}$			50	80	ns	
	B	Q			40	65		
$t_{PHL}$	Clear	Q					27	ns
$t_{PLH}$	Clear	$\bar{Q}$					40	ns
$t_{w(out)}$	A or B	Q or $\bar{Q}$	$C_{ext} = 80 \text{ pF}$ , $R_{ext} = 2 \text{ k}\Omega$	70	110	150	ns	
			$C_{ext} = 0$ , $R_{ext} = 2 \text{ k}\Omega$	20	30	50		
			$C_{ext} = 100 \text{ pF}$ , $R_{ext} = 10 \text{ k}\Omega$	650	700	750		
			$C_{ext} = 1 \mu\text{F}$ , $R_{ext} = 10 \text{ k}\Omega$	6.5	7	7.5		ms

<sup>¶</sup> $t_{PLH}$  = Propagation delay time, low-to-high-level output

$t_{PHL}$  = Propagation delay time, high-to-low-level output

$t_{w(out)}$  = Output pulse width

NOTE 2: Load circuit is shown on page 3-10.

# TYPES SN54LS221, SN74LS221 DUAL MONOSTABLE MULTIVIBRATORS WITH SCHMITT-TRIGGER INPUTS

## recommended operating conditions

		SN54LS221			SN74LS221			UNIT
		MIN	NOM	MAX	MIN	NOM	MAX	
Supply voltage, $V_{CC}$		4.5	5	5.5	4.75	5	5.25	V
High-level output current, $I_{OH}$				-400			-400	$\mu$ A
Low-level output current, $I_{OL}$				4			8	mA
Rate of rise or fall of input pulse, $dv/dt$	Schmitt, B	1			1			V/s
	Logic input, A	1			1			V/ $\mu$ s
Input pulse width	A or B, $t_{W(in)}$	40			40			ns
	Clear, $t_{W(clear)}$	40			40			
Clear-inactive-state setup time, $t_{su}$		15			15			ns
External timing resistance, $R_{ext}$		1.4	70		1.4	100		k $\Omega$
External timing capacitance, $C_{ext}$		0	1000		0	1000		$\mu$ F
Output duty cycle	$R_T = 2\text{ k}\Omega$			50			50	%
	$R_T = \text{MAX } R_{ext}$			90			90	
Operating free-air temperature, $T_A$		-55	125		0	70		$^{\circ}$ C

## electrical characteristics over recommended operating free-air temperature range (unless otherwise noted)

PARAMETER	TEST CONDITIONS <sup>†</sup>	SN54LS221			SN74LS221			UNIT
		MIN	TYP <sup>‡</sup>	MAX	MIN	TYP <sup>‡</sup>	MAX	
$V_{T+}$ Positive-going threshold voltage at A input	$V_{CC} = \text{MIN}$		1.0	2		1.0	2	V
$V_{T-}$ Negative-going threshold voltage at A input	$V_{CC} = \text{MIN}$	0.7	1.0		0.8	1.0		V
$V_{T+}$ Positive-going threshold voltage at B input	$V_{CC} = \text{MIN}$		1.0	2		1.0	2	V
$V_{T-}$ Negative-going threshold voltage at B input	$V_{CC} = \text{MIN}$	0.7	0.9		0.8	0.9		V
$V_{IK}$ Input clamp voltage	$V_{CC} = \text{MIN}$ , $I_I = -18\text{ mA}$			-1.5			-1.5	V
$V_{OH}$ High-level output voltage	$V_{CC} = \text{MIN}$ , $I_{OH} = -400\text{ }\mu\text{A}$	2.5	3.4		2.7	3.4		V
$V_{OL}$ Low-level output voltage	$V_{CC} = \text{MIN}$	$I_{OL} = 4\text{ mA}$	0.25	0.4	0.25	0.4		V
		$I_{OL} = 8\text{ mA}$			0.35	0.5		
$I_I$ Input current at maximum input voltage	$V_{CC} = \text{MAX}$ , $V_I = 7\text{ V}$			0.1			0.1	mA
$I_{IH}$ High-level input current	$V_{CC} = \text{MAX}$ , $V_I = 2.7\text{ V}$			20			20	$\mu$ A
$I_{IL}$ Low-level input current	Input A			-0.4			-0.4	mA
	Input B			-0.8			-0.8	
	Clear			-0.8			-0.8	
$I_{OS}$ Short-circuit output current <sup>§</sup>	$V_{CC} = \text{MAX}$	-20		-100	-20		-100	mA
$I_{CC}$ Supply current	$V_{CC} = \text{MAX}$	Quiescent	4.7	11	4.7	11		mA
		Triggered	19	27	19	27		

<sup>†</sup>For conditions shown as MIN or MAX, use the appropriate value specified under recommended operating conditions.

<sup>‡</sup>All typical values are at  $V_{CC} = 5\text{ V}$ ,  $T_A = 25^{\circ}\text{C}$

<sup>§</sup>Not more than one output should be shorted at a time and duration of the short-circuit should not exceed one second.

6

# TYPES SN54LS221, SN74LS221 DUAL MONOSTABLE MULTIVIBRATORS WITH SCHMITT-TRIGGER INPUTS

switching characteristics,  $V_{CC} = 5\text{ V}$ ,  $T_A = 25^\circ\text{C}$

PARAMETER <sup>†</sup>	FROM (INPUT)	TO (OUTPUT)	TEST CONDITIONS			MIN	TYP	MAX	UNIT
$t_{PLH}$	A	Q	$C_L = 15\text{ pF}$ , $R_L = 2\text{ k}\Omega$ , See Figure 1 and Note 3	$C_{ext} = 80\text{ pF}$ , $R_{ext} = 2\text{ k}\Omega$	45	70	ns		
	B	$\bar{Q}$			35	55			
$t_{PHL}$	A	$\bar{Q}$			50	80	ns		
	B	Q			40	65			
$t_{PHL}$	Clear	Q			35	55	ns		
$t_{PLH}$	Clear	$\bar{Q}$			44	65	ns		
$t_{w(out)}$	A or B	Q or $\bar{Q}$			$C_{ext} = 80\text{ pF}$ , $R_{ext} = 2\text{ k}\Omega$	70	120	150	ns
					$C_{ext} = 0$ , $R_{ext} = 2\text{ k}\Omega$	20	47	70	
			$C_{ext} = 100\text{ pF}$ , $R_{ext} = 10\text{ k}\Omega$	600	670	750			
			$C_{ext} = 1\text{ }\mu\text{F}$ , $R_{ext} = 10\text{ k}\Omega$	6	6.9	7.5	ms		

<sup>†</sup> $t_{PLH}$   $\equiv$  Propagation delay time, low-to-high-level output

$t_{PHL}$   $\equiv$  Propagation delay time, high-to-low-level output

$t_{w(out)}$   $\equiv$  Output pulse width

NOTE 3: Load circuit is shown on page 3-11.

# TYPES SN54221, SN54LS221, SN74221, SN74LS221 DUAL MONOSTABLE MULTIVIBRATORS WITH SCHMITT-TRIGGER INPUTS

## PARAMETER MEASUREMENT INFORMATION

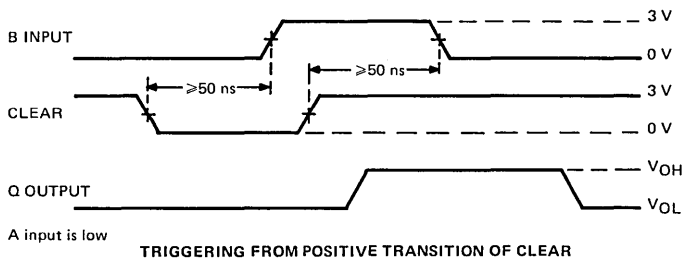
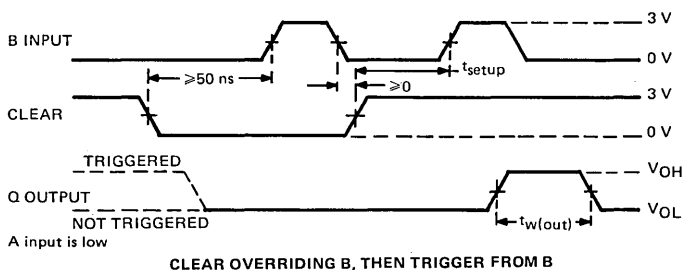
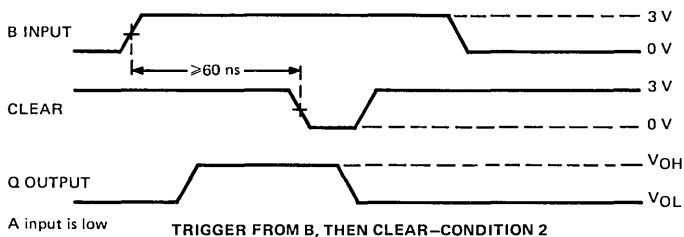
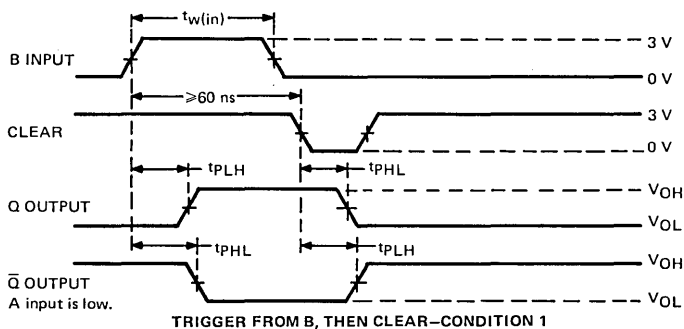


FIGURE 1—SWITCHING CHARACTERISTICS

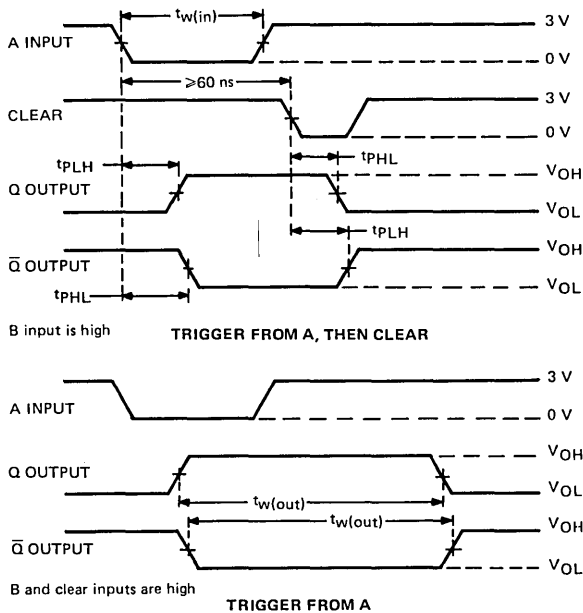
6



# TYPES SN54221, SN54LS221, SN74221, SN74LS221

## DUAL MONOSTABLE MULTIVIBRATORS WITH SCHMITT-TRIGGER INPUTS

### PARAMETER MEASUREMENT INFORMATION



NOTES: A. Input pulses are supplied by generators having the following characteristics: PRR  $\leq$  1 MHz,  $Z_{out} \approx 50 \Omega$ ; for '221,  $t_r \leq 7$  ns,  $t_f \leq 7$  ns, for 'LS221,  $t_r \leq 15$  ns,  $t_f \leq 6$  ns.  
 B. All measurements are made between the 1.5 V points of the indicated transitions for the '221 or between the 1.3 V points for the 'LS221.

FIGURE 1—SWITCHING CHARACTERISTICS (CONTINUED)

# TYPES SN54221, SN74221 DUAL MONOSTABLE MULTIVIBRATORS WITH SCHMITT-TRIGGER INPUTS

## TYPICAL CHARACTERISTICS ('221 ONLY)<sup>†</sup>

DISTRIBUTION OF UNITS  
for  
OUTPUT PULSE WIDTH

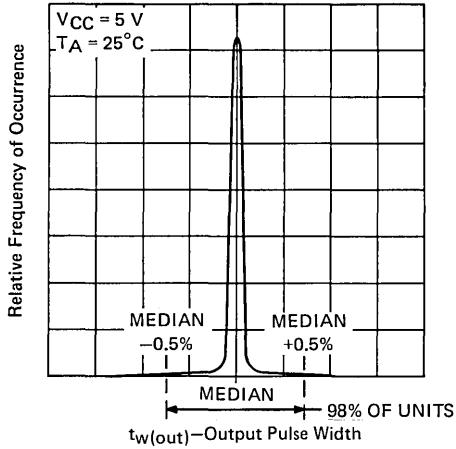


FIGURE 2

VARIATION IN OUTPUT PULSE WIDTH  
vs  
SUPPLY VOLTAGE

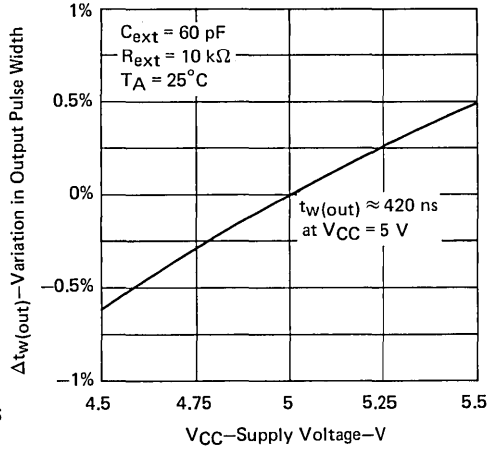


FIGURE 3

VARIATION IN OUTPUT PULSE WIDTH  
vs  
FREE-AIR TEMPERATURE

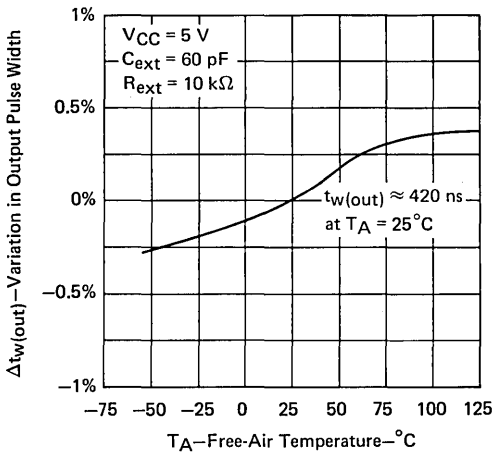


FIGURE 4

OUTPUT PULSE WIDTH  
vs  
TIMING RESISTOR VALUE

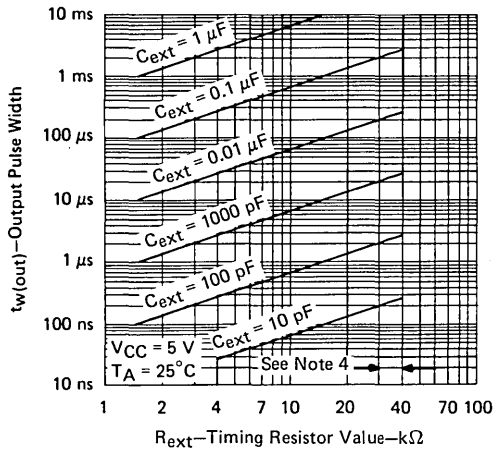


FIGURE 5

NOTE 4: These values of resistance exceed the maximum recommended for use over the full temperature range of the SN54221.

<sup>†</sup>Data for temperatures below 0°C and above 70°C, and for supply voltages below 4.75 V and above 5.25 V are applicable for the SN54221 only.

# TYPES SN54122, SN54123, SN54L122, SN54L123, SN54LS122, SN54LS123, SN74122, SN74123, SN74L122, SN74L123, SN74LS122, SN74LS123 RETRIGGERABLE MONOSTABLE MULTIVIBRATORS

- D-C Triggered from Active-High or Active-Low Gated Logic Inputs
- Retriggerable for Very Long Output Pulses, Up to 100% Duty Cycle
- Overriding Clear Terminates Output Pulse
- Compensated for  $V_{CC}$  and Temperature Variations
- '122, 'L122, 'LS122 Have Internal Timing Resistors

'122, 'L122, 'LS122  
FUNCTION TABLE

CLEAR	INPUTS				OUTPUTS	
	A1	A2	B1	B2	Q	$\bar{Q}$
L	X	X	X	X	L	H
X	H	H	X	X	L	H
X	X	X	L	X	L	H
X	X	X	X	L	L	H
H	L	X	↑	H	⌋	⌋
H	L	X	H	↑	⌋	⌋
H	X	L	↑	H	⌋	⌋
H	X	L	H	↑	⌋	⌋
H	H	↓	H	H	⌋	⌋
H	↓	↓	H	H	⌋	⌋
H	↓	H	H	H	⌋	⌋
↑	L	X	H	H	⌋	⌋
↑	X	L	H	H	⌋	⌋

'123, 'L123, 'LS123  
FUNCTION TABLE

CLEAR	INPUTS			OUTPUTS	
	A	B	Q	$\bar{Q}$	$\bar{Q}$
L	X	X	L	H	H
X	H	X	L	H	H
X	X	L	L	H	H
H	L	↑	⌋	⌋	⌋
H	↓	H	⌋	⌋	⌋
↑	L	H	⌋	⌋	⌋

See explanation of function tables on page 3-8.

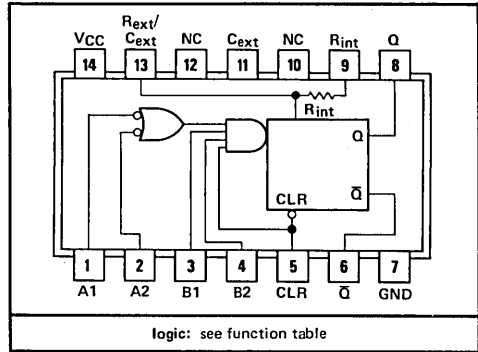
## description

These d-c triggered multivibrators feature output pulse width control by three methods. The basic pulse time is programmed by selection of external resistance and capacitance values (see typical application data). The '122, 'L122, and 'LS122 have internal timing resistors that allow the circuits to be used with only an external capacitor, if so desired. Once triggered, the basic pulse width may be extended by retriggering the gated low-level-active (A) or high-level-active (B) inputs, or be reduced by use of the overriding clear. Figure 1 illustrates pulse control by retriggering and early clear.

The 'LS122 and 'LS123 are provided enough Schmitt hysteresis to ensure jitter-free triggering from the B input with transition rates as slow as 0.1 millivolt per nanosecond.

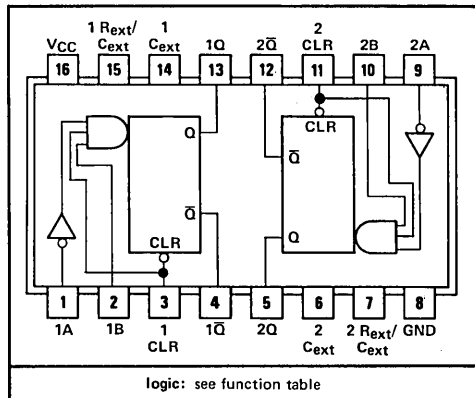
- NOTES:
1. An external timing capacitor may be connected between  $C_{ext}$  and  $R_{ext}/C_{ext}$  (positive).
  2. To use the internal timing resistor of '122, 'L122 or 'LS122, connect  $R_{int}$  to  $V_{CC}$ .
  3. For improved pulse width accuracy and repeatability, connect an external resistor between  $R_{ext}/C_{ext}$  and  $V_{CC}$  with  $R_{int}$  open-circuited.
  4. To obtain variable pulse widths, connect an external variable resistance between  $R_{int}$  or  $R_{ext}/C_{ext}$  and  $V_{CC}$ .

SN54122, SN54LS122 ... J OR W  
SN54L122 ... J OR T  
SN74122, SN74L122, SN74LS122 ... J OR N  
(TOP VIEW) (SEE NOTES 1 THRU 4)



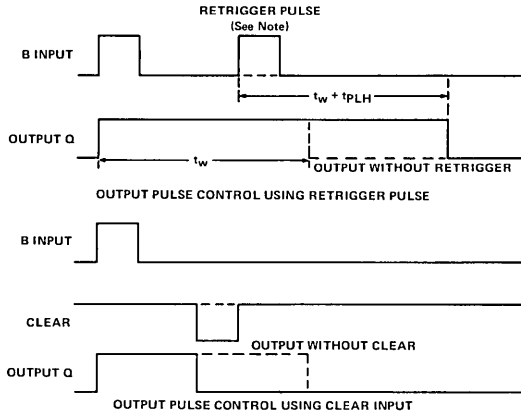
NC—No internal connection.

SN54123, SN54LS123 ... J OR W  
SN54L123 ... J  
SN74123, SN74L123, SN74LS123 ... J OR N  
(TOP VIEW) (SEE NOTES 1 THRU 4)



# TYPES SN54122, SN54123, SN54L122, SN54L123, SN54LS122, SN54LS123, SN74122, SN74123, SN74L122, SN74L123, SN74LS122, SN74LS123 RETRIGGERABLE MONOSTABLE MULTIVIBRATORS

description (continued)

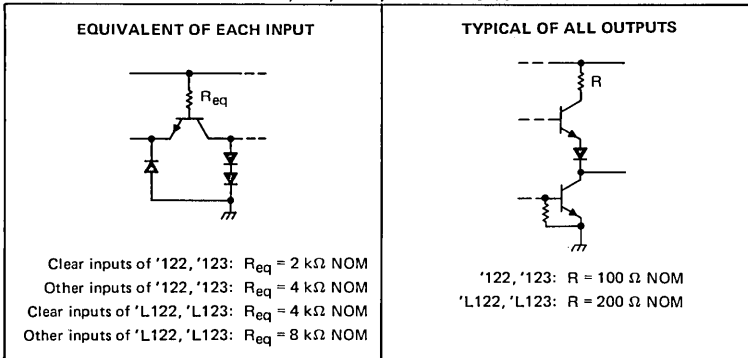


NOTE: Retrigger pulse must not start before  $0.22 C_{ext}$  (in picofarads) nanoseconds after previous trigger pulse.

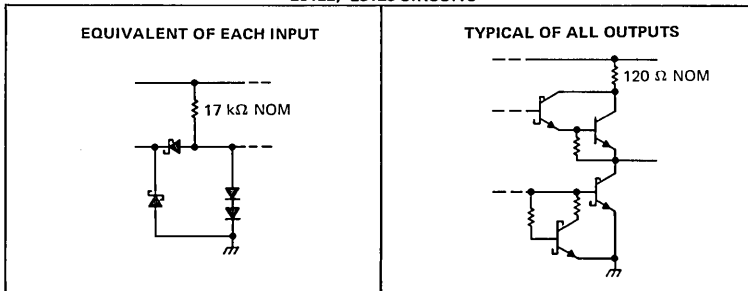
FIGURE 1—TYPICAL INPUT/OUTPUT PULSES

schematics of inputs and outputs

## '122, '123, 'L122, 'L123 CIRCUITS



## 'LS122, 'LS123 CIRCUITS



# TYPES SN54122, SN54123, SN74122, SN74123

## RETRIGGERABLE MONOSTABLE MULTIVIBRATORS

### recommended operating conditions

	SN54'			SN74'			UNIT
	MIN	NOM	MAX	MIN	NOM	MAX	
Supply voltage, $V_{CC}$	4.5	5	5.5	4.75	5	5.25	V
High-level output current, $I_{OH}$	-800			-800			$\mu$ A
Low-level output current, $I_{OL}$	16			16			mA
Pulse width, $t_w$	40			40			ns
External timing resistance, $R_{ext}$	5		25	5		50	k $\Omega$
External capacitance, $C_{ext}$	No restriction			No restriction			
Wiring capacitance at $R_{ext}/C_{ext}$ terminal	50			50			pF
Operating free-air temperature, $T_A$	-55		125	0		70	$^{\circ}$ C

### electrical characteristics over recommended free-air operating temperature range (unless otherwise noted)

PARAMETER	TEST CONDITIONS†	'122			'123			UNIT
		MIN	TYP‡	MAX	MIN	TYP‡	MAX	
$V_{IH}$ High-level input voltage		2			2			V
$V_{IL}$ Low-level input voltage		0.8			0.8			V
$V_{IK}$ Input clamp voltage	$V_{CC} = \text{MIN}, I_I = -12 \text{ mA}$	-1.5			-1.5			V
$V_{OH}$ High-level output voltage	$V_{CC} = \text{MIN}, I_{OH} = -800 \mu\text{A},$ See Note 1	2.4	3.4		2.4	3.4		V
$V_{OL}$ Low-level output voltage	$V_{CC} = \text{MIN}, I_{OL} = 16 \text{ mA},$ See Note 1	0.2 0.4			0.2 0.4			V
$I_I$ Input current at maximum input voltage	$V_{CC} = \text{MAX}, V_I = 5.5 \text{ V}$	1			1			mA
$I_{IH}$ High-level input current	Data inputs	40			40			$\mu$ A
	Clear input	80			80			
$I_{IL}$ Low-level input current	Data inputs	-1.6			-1.6			mA
	Clear input	-3.2			-3.2			
$I_{OS}$ Short-circuit output current‡	$V_{CC} = \text{MAX},$ See Note 5	-10	-40		-10	-40		mA
$I_{CC}$ Supply current (quiescent or triggered)	$V_{CC} = \text{MAX},$ See Notes 6 and 7	23 28			46 66			mA

† For conditions shown as MIN or MAX, use the value specified under recommended operating conditions.

‡ All typical values are at  $V_{CC} = 5 \text{ V}, T_A = 25^{\circ}\text{C}.$

♦ Not more than one output should be shorted at a time.

NOTES: 5. Ground  $C_{ext}$  to measure  $V_{OH}$  at Q,  $V_{OL}$  at  $\bar{Q}$ , or  $I_{OS}$  at Q.  $C_{ext}$  is open to measure  $V_{OH}$  at  $\bar{Q}$ ,  $V_{OL}$  at Q, or  $I_{OS}$  at  $\bar{Q}$ .

6. Quiescent  $I_{CC}$  is measured (after clearing) with 2.4 V applied to all clear and A inputs. B inputs grounded, all outputs open,  $C_{ext} = 0.02 \mu\text{F}$ , and  $R_{ext} = 25 \text{ k}\Omega$ .  $R_{int}$  of '122 is open.

7.  $I_{CC}$  is measured in the triggered state with 2.4 V applied to all clear and B inputs, A inputs grounded, all outputs open,  $C_{ext} = 0.02 \mu\text{F}$ , and  $R_{ext} = 25 \text{ k}\Omega$ .  $R_{int}$  of '122 is open.

### switching characteristics, $V_{CC} = 5 \text{ V}, T_A = 25^{\circ}\text{C}$ , see note 8

PARAMETER‡	FROM (INPUT)	TO (OUTPUT)	TEST CONDITIONS	'122			'123			UNIT
				MIN	TYP	MAX	MIN	TYP	MAX	
$t_{PLH}$	A	Q	$C_{ext} = 0, R_{ext} = 5 \text{ k}\Omega,$ $C_L = 15 \text{ pF}, R_L = 400 \Omega$	22	33		22	33	ns	
	B	Q		19	28		19	28		
$t_{PHL}$	A	$\bar{Q}$		30	40		30	40	ns	
	B	$\bar{Q}$		27	36		27	36		
$t_{PLH}$	Clear	Q		18	27		18	27	ns	
$t_{PLH}$		$\bar{Q}$		30	40		30	40		
$t_{wQ}$ (min)	A or B	Q		45	65		45	65	ns	
$t_{wQ}$	A or B	Q		3.08	3.42	3.76	2.76	3.03	3.37	$\mu$ s

‡  $t_{PLH} \equiv$  propagation delay time, low-to-high-level output

$t_{PHL} \equiv$  propagation delay time, high-to-low-level output

$t_{wQ} \equiv$  width of pulse at output Q

NOTE 8: Load circuit and voltage waveforms are shown on page 3-10.

# TYPES SN54L122, SN54L123, SN74L122, SN74L123 RETRIGGERABLE MONOSTABLE MULTIVIBRATORS

## recommended operating conditions

	SN54L'			SN74L'			UNIT
	MIN	NOM	MAX	MIN	NOM	MAX	
Supply voltage, $V_{CC}$	4.5	5	5.5	4.75	5	5.25	V
High-level output current, $I_{OH}$	-400			-400			$\mu$ A
Low-level output current, $I_{OL}$	8			8			mA
Pulse width, $t_w$	50			50			ns
External timing resistance, $R_{ext}$	5			5			50 k $\Omega$
External capacitance, $C_{ext}$	No restriction			No restriction			
Wiring capacitance at $R_{ext}/C_{ext}$ terminal	50			50			pF
Operating free-air temperature, $T_A$	-55			125			0
							70

## electrical characteristics over recommended free-air operating temperature range (unless otherwise noted)

PARAMETER	TEST CONDITIONS†	'L122			'L123			UNIT
		MIN	TYP‡	MAX	MIN	TYP‡	MAX	
$V_{IH}$ High-level input voltage		2			2			V
$V_{IL}$ Low-level input voltage		0.8			0.8			V
$V_{IK}$ Input clamp voltage	$V_{CC} = \text{MIN}, I_I = -12 \text{ mA}$	-1.5			-1.5			V
$V_{OH}$ High-level output voltage	$V_{CC} = \text{MIN}, I_{OH} = -400 \mu\text{A}$ , See Note 1	2.4	3.4		2.4	3.4		V
$V_{OL}$ Low-level output voltage	$V_{CC} = \text{MIN}, I_{OL} = 8 \text{ mA}$ , See Note 1		0.2	0.4		0.2	0.4	V
$I_I$ Input current at maximum input voltage	$V_{CC} = \text{MAX}, V_I = 5.5 \text{ V}$	1			1			mA
$I_{IH}$ High-level input current	Data inputs	20			20			$\mu$ A
	Clear input	40			40			
$I_{IL}$ Low-level input current	Data inputs	-0.8			-0.8			mA
	Clear input	-1.6			-1.6			
$I_{OS}$ Short-circuit output current‡	$V_{CC} = \text{MAX}$ , See Note 9	-5	-20		-5	-20		mA
$I_{CC}$ Supply current (quiescent or triggered)	$V_{CC} = \text{MAX}$ , See Notes 10 and 11		11	14		23	33	mA

† For conditions shown as MIN or MAX, use the value specified under recommended operating conditions.

‡ All typical values are at  $V_{CC} = 5 \text{ V}, T_A = 25^\circ\text{C}$ .

♦ Not more than one output should be shorted at a time.

NOTES: 9. Ground  $C_{ext}$  to measure  $V_{OH}$  at Q,  $V_{OL}$  at  $\bar{Q}$ , or  $I_{OS}$  at Q.  $C_{ext}$  is open to measure  $V_{OH}$  at  $\bar{Q}$ ,  $V_{OL}$  at Q, or  $I_{OS}$  at  $\bar{Q}$ .

10. Quiescent  $I_{CC}$  is measured (after clearing) with 2.4 V applied to all clear and A inputs, B inputs grounded, all outputs open,  $C_{ext} = 0.02 \mu\text{F}$ , and  $R_{ext} = 25 \text{ k}\Omega$ .  $R_{int}$  of 'L122 is open.

11.  $I_{CC}$  is measured in the triggered state with 2.4 V applied to all clear and B inputs, A inputs grounded, all outputs open,  $C_{ext} = 0.02 \mu\text{F}$ , and  $R_{ext} = 25 \text{ k}\Omega$ .  $R_{int}$  of 'L122 is open.

## switching characteristics, $V_{CC} = 5 \text{ V}, T_A = 25^\circ\text{C}$ , see note 8

PARAMETER¶	FROM (INPUT)	TO (OUTPUT)	TEST CONDITIONS	'L122			'L123			UNIT
				MIN	TYP	MAX	MIN	TYP	MAX	
$t_{PLH}$	A	Q	$C_{ext} = 0, R_{ext} = 5 \text{ k}\Omega,$ $C_L = 15 \text{ pF}, R_L = 800 \Omega$	44	66		44	66		ns
	B			38	56		38	56		
$t_{PHL}$	A	$\bar{Q}$		60	80		60	80	ns	
	B	$\bar{Q}$		54	72		54	72		
$t_{PHL}$	Clear	Q		36	54		36	54	ns	
$t_{PLH}$		$\bar{Q}$		60	80		60	80		
$t_{wQ}$ (min)	A or B	Q		90	135		90	135	ns	
$t_{wQ}$	A or B	Q		1.7	1.9	2.1	1.3	2.1		$\mu$ s

¶  $t_{PLH}$   $\equiv$  propagation delay time, low-to-high-level output

$t_{PHL}$   $\equiv$  propagation delay time, high-to-low-level output

$t_{wQ}$   $\equiv$  width of pulse at output Q

NOTE 8: Load circuit and voltage waveforms are shown on page 3-10.

# TYPES SN54LS122, SN54LS123, SN74LS122, SN74LS123

## RETRIGGERABLE MONOSTABLE MULTIVIBRATORS

### recommended operating conditions

	SN54LS'			SN74LS'			UNIT
	MIN	NOM	MAX	MIN	NOM	MAX	
Supply voltage, $V_{CC}$	4.5	5	5.5	4.75	5	5.25	V
High-level output current, $I_{OH}$	-400			-400			$\mu$ A
Low-level output current, $I_{OL}$	4			8			mA
Pulse width, $t_w$	40			40			ns
External timing resistance, $R_{ext}$	5			180			k $\Omega$
External capacitance, $C_{ext}$	No restriction			No restriction			
Wiring capacitance at $R_{ext}/C_{ext}$ terminal	50			50			pF
Operating free-air temperature, $T_A$	-55			125			0
				70			$^{\circ}$ C

### electrical characteristics over recommended operating free-air temperature range (unless otherwise noted)

PARAMETER	TEST CONDITIONS†	SN54LS'			SN74LS'			UNIT
		MIN	TYP‡	MAX	MIN	TYP‡	MAX	
$V_{IH}$ High-level input voltage		2			2			V
$V_{IL}$ Low-level input voltage		0.7			0.8			V
$V_{IK}$ Input clamp voltage		-1.5			-1.5			V
$V_{OH}$ High-level output voltage	$V_{CC} = \text{MIN}, I_I = -18 \text{ mA}$							V
$V_{OL}$ Low-level output voltage	$V_{CC} = \text{MIN}, V_{IH} = 2 \text{ V}, V_{IL} = V_{ILmax}, I_{OH} = -400 \mu\text{A}$	2.5	3.5		2.7	3.5		V
	$V_{CC} = \text{MIN}, V_{IL} = V_{ILmax}, I_{OL} = 4 \text{ mA}$	0.25	0.4		0.25	0.4		V
$I_I$ Input current at maximum input voltage	$V_{CC} = \text{MAX}, V_I = 7 \text{ V}$				0.1			mA
	$V_{CC} = \text{MAX}, V_I = 2.7 \text{ V}$				20			$\mu$ A
$I_{IH}$ High-level input current	$V_{CC} = \text{MAX}, V_I = 0.4 \text{ V}$				-0.4			mA
$I_{IL}$ Low-level input current	$V_{CC} = \text{MAX}$				-20			mA
$I_{OS}$ Short-circuit output current†	$V_{CC} = \text{MAX}$				-100			mA
$I_{CC}$ Supply current (quiescent or triggered)	$V_{CC} = \text{MAX},$ See Note 13	*LS122		6		11		mA
		*LS123		12		20		

† For conditions shown as MIN or MAX, use the appropriate value specified under recommended operating conditions.

‡ All typical values are at  $V_{CC} = 5 \text{ V}, T_A = 25^{\circ}\text{C}$ .

† Not more than one output should be shorted at a time and duration of the short-circuit should not exceed one second.

NOTES: 12. To measure  $V_{OH}$  at Q,  $V_{OL}$  at  $\bar{Q}$ , or  $I_{OS}$  at Q, ground  $R_{ext}/C_{ext}$ , apply 2 V to B and clear, and pulse A from 2 V to 0 V.

13. With all outputs open and 4.5 V applied to all data and clear inputs,  $I_{CC}$  is measured after a momentary ground, then 4.5 V, is applied to clock.

### switching characteristics, $V_{CC} = 5 \text{ V}, T_A = 25^{\circ}\text{C}$ , see note 14

PARAMETER¶	FROM (INPUT)	TO (OUTPUT)	TEST CONDITIONS	MIN	TYP	MAX	UNIT
$t_{PLH}$	A	Q	$C_{ext} = 0, R_{ext} = 5 \text{ k}\Omega, C_L = 15 \text{ pF}, R_L = 2 \text{ k}\Omega$	23	33		ns
	B	Q		23	44		
$t_{PHL}$	A	$\bar{Q}$		32	45		ns
	B	$\bar{Q}$		34	56		
$t_{PHL}$	Clear	Q		20	27		ns
$t_{PLH}$	Clear	$\bar{Q}$		28	45		
$t_{wQ}$ (min)	A or B	Q		116	200		ns
$t_{wQ}$	A or B	Q	$C_{ext} = 1000 \text{ pF}, C_L = 15 \text{ pF}, R_{ext} = 10 \text{ k}\Omega, R_L = 2 \text{ k}\Omega$	4	4.5	5	

¶  $t_{PLH}$   $\equiv$  propagation delay time, low-to-high-level output

$t_{PHL}$   $\equiv$  propagation delay time, high-to-low-level output

$t_{wQ}$   $\equiv$  width of pulse at output Q

NOTE 14: Load circuit and voltage waveforms are shown on page 3-11.

# TYPES SN54122, SN74122, SN54123, SN74123 SN54L122, SN74L122, SN54L123, SN74L123, RETRIGGERABLE MONOSTABLE MULTIVIBRATORS

## TYPICAL APPLICATION DATA FOR '122, '123, 'L122, 'L123

For pulse widths when  $C_{ext} \leq 1000$  pF, See Figures 4 and 5.

The output pulse is primarily a function of the external capacitor and resistor. For  $C_{ext} > 1000$  pF, the output pulse width ( $t_w$ ) is defined as:

$$t_w = K \cdot R_T \cdot C_{ext} \left( 1 + \frac{0.7}{R_T} \right)$$

where

$K$  is 0.32 for '122, 0.28 for '123,  
0.37 for 'L122, 0.33 for 'L123

$R_T$  is in  $k\Omega$  (internal or external timing resistance).

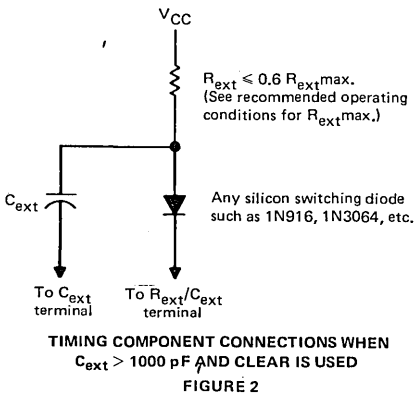
$C_{ext}$  is in pF

$t_w$  is in nanoseconds

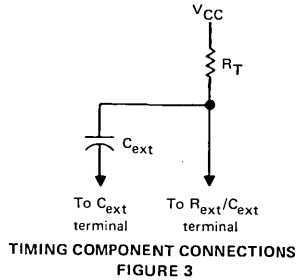
To prevent reverse voltage across  $C_{ext}$ , it is recommended that the method shown in Figure 2 be employed when using electrolytic capacitors and in applications utilizing the clear function. In all applications using the diode, the pulse width is:

$$t_w = K_D \cdot R_T \cdot C_{ext} \left( 1 + \frac{0.7}{R_T} \right)$$

$K_D$  is 0.28 for '122, 0.25 for '123,  
0.33 for 'L122, 0.29 for 'L123



Applications requiring more precise pulse widths (up to 28 seconds) and not requiring the clear feature can best be satisfied with the '121 or 'L121.



'122, '123  
TYPICAL OUTPUT PULSE WIDTH  
vs  
EXTERNAL TIMING CAPACITANCE

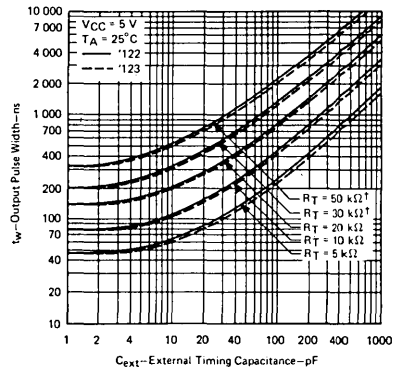


FIGURE 4

'L122  
TYPICAL OUTPUT PULSE WIDTH  
vs  
EXTERNAL TIMING CAPACITANCE

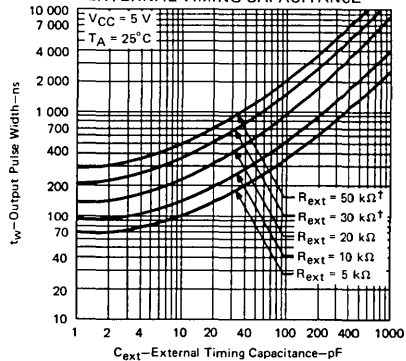


FIGURE 5

†These values of resistance exceed the maximum recommended for use over the full temperature range of the SN54' and SN54L' circuits.



# TYPES SN54LS122, SN74LS122, SN54LS123, SN74LS123 RETRIGGERABLE MONOSTABLE MULTIVIBRATORS

## TYPICAL APPLICATION DATA FOR 'LS122, 'LS123

The basic output pulse width is essentially determined by the values of external capacitance and timing resistance. For pulse widths when  $C_{ext} \leq 1000$  pF, see Figure 7.

When  $C_{ext} > 1000$  pF, the output pulse width is defined as:

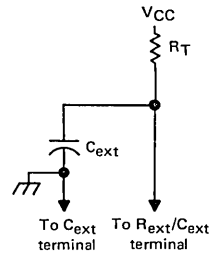
$$t_w = 0.45 \cdot R_T \cdot C_{ext}$$

where

$R_T$  is in  $k\Omega$  (internal or external timing resistance.)

$C_{ext}$  is in pF

$t_w$  is in nanoseconds

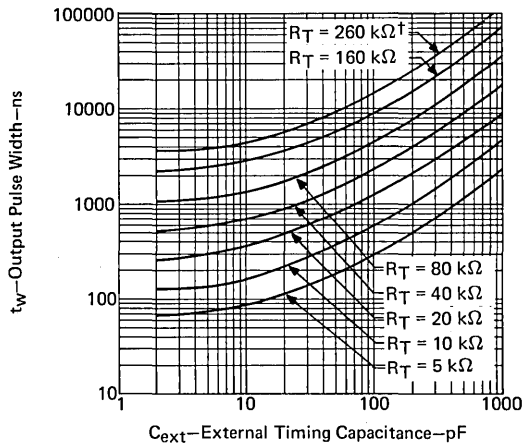


TIMING COMPONENT CONNECTIONS

FIGURE 6

For best results, system ground should be applied to the  $C_{ext}$  terminal. The switching diode is not needed for electrolytic capacitance applications.

### 'LS122, 'LS123 TYPICAL OUTPUT PULSE WIDTH vs EXTERNAL TIMING CAPACITANCE



<sup>†</sup>This value of resistance exceeds the maximum recommended for use over the full temperature range of the SN54LS circuits.

FIGURE 7

# TYPES SN54LS240, SN54LS241, SN54LS244, SN54S240, SN54S241, SN74LS240, SN74LS241, SN74LS244, SN74S240, SN74S241 OCTAL BUFFERS AND LINE DRIVERS WITH 3-STATE OUTPUTS

	Typical I <sub>OL</sub> (Sink Current)	Typical I <sub>OH</sub> (Source Current)	Typical Propagation Delay Times		Typical Enable/ Disable Times	Typical Power Dissipation (Enabled)	
			Inverting	Noninverting		Inverting	Noninverting
SN54LS'	12 mA	-12 mA	10.5 ns	12 ns	18 ns	130 mW	135 mW
SN74LS'	24 mA	-15 mA	10.5 ns	12 ns	18 ns	130 mW	135 mW
SN54S'	48 mA	-12 mA	4.5 ns	6 ns	9 ns	450 mW	538 mW
SN74S'	64 mA	-15 mA	4.5 ns	6 ns	9 ns	450 mW	538 mW

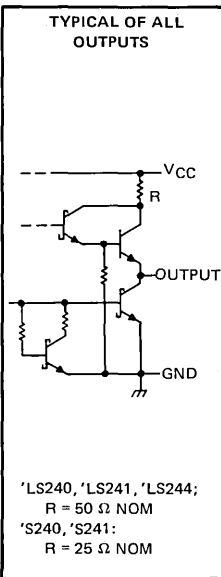
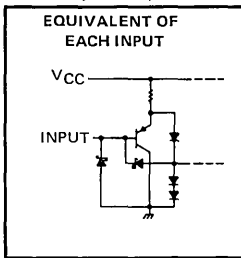
- 3-State Outputs Drive Bus Lines or Buffer Memory Address Registers
- P-N-P Inputs Reduce D-C Loading
- Hysteresis at Inputs Improves Noise Margins

## description

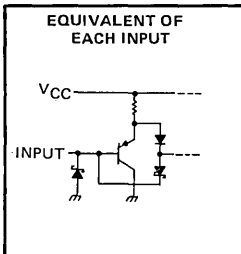
These octal buffers and line drivers are designed specifically to improve both the performance and density of three-state memory address drivers, clock drivers, and bus-oriented receivers and transmitters. The designer has a choice of selected combinations of inverting and noninverting outputs, symmetrical  $\bar{G}$  (active-low output control) inputs, and complementary  $G$  and  $\bar{G}$  inputs. These devices feature high fan-out, improved fan-in, and 400-mV noise-margin. The SN74LS' and SN74S' can be used to drive terminated lines down to 133 ohms.

## schematics of inputs and outputs

'LS240, 'LS241, 'LS244

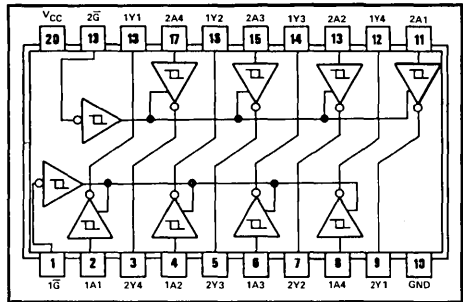


'S240 'S241

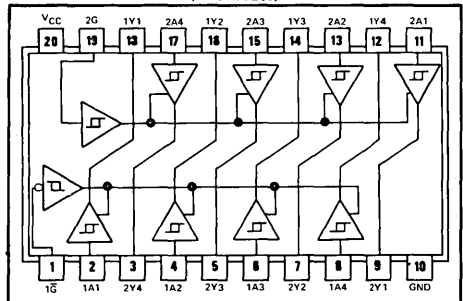


'LS240, 'LS241, 'LS244;  
R = 50 Ω NOM  
'S240, 'S241:  
R = 25 Ω NOM

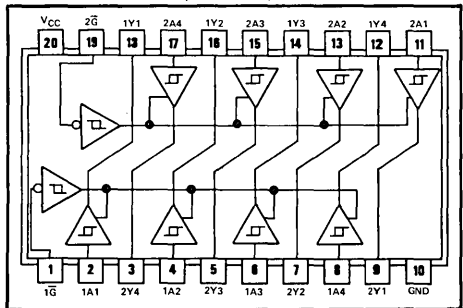
SN54LS240, SN54S240 ... J  
SN74LS240, SN74S240 ... J OR N  
(TOP VIEW)



SN54LS241, SN54S241 ... J  
SN74LS241, SN74S241 ... J OR N  
(TOP VIEW)



SN54LS244 ... J  
SN74LS244 ... J OR N  
(TOP VIEW)



# TYPES SN54LS240, SN54LS241, SN54LS244, SN74LS240, SN74LS241, SN74LS244 BUFFERS AND LINE DRIVERS WITH 3-STATE OUTPUTS

## recommended operating conditions

PARAMETER	SN54LS'			SN74LS'			UNIT
	MIN	NOM	MAX	MIN	NOM	MAX	
Supply voltage, $V_{CC}$ (see Note 1)	4.5	5	5.5	4.75	5	5.25	V
High-level output current, $I_{OH}$			-12			-15	mA
Low-level output current, $I_{OL}$			12			24	mA
Operating free-air temperature, $T_A$	-55		125	0		70	°C

NOTE 1: Voltage values are with respect to network ground terminal.

## electrical characteristics over recommended operating free-air temperature range (unless otherwise noted)

PARAMETER	TEST CONDITIONS†	SN54LS'			SN74LS'			UNIT	
		MIN	TYP‡	MAX	MIN	TYP‡	MAX		
$V_{IH}$ High-level input voltage		2			2			V	
$V_{IL}$ Low-level input voltage				0.7			0.8	V	
$V_{IK}$ Input clamp voltage	$V_{CC} = \text{MIN}, I_I = -18 \text{ mA}$			-1.5			-1.5	V	
	Hysteresis ( $V_{T+} - V_{T-}$ )	$V_{CC} = \text{MIN}$	0.2	0.4	0.2	0.4		V	
$V_{OH}$ High-level output voltage	$V_{CC} = \text{MIN}, V_{IH} = 2 \text{ V}, V_{IL} = V_{IL \text{ max}}, I_{OH} = -3 \text{ mA}$		2.4	3.4	2.4	3.4		V	
		$V_{CC} = \text{MIN}, V_{IH} = 2 \text{ V}, V_{IL} = 0.5 \text{ V}, I_{OH} = \text{MAX}$	2		2				
$V_{OL}$ Low-level output voltage	$V_{CC} = \text{MIN}, V_{IH} = 2 \text{ V}, V_{IL} = V_{IL \text{ max}}$	$I_{OL} = 12 \text{ mA}$		0.4			0.4	V	
		$I_{OL} = 24 \text{ mA}$					0.5		
$I_{OZH}$ Off-state output current, high-level voltage applied	$V_{CC} = \text{MAX}, V_{IH} = 2 \text{ V}, V_{IL} = V_{IL \text{ max}}, V_O = 2.7 \text{ V}$			20			20	µA	
$I_{OZL}$ Off-state output current, low-level voltage applied	$V_{CC} = \text{MAX}, V_{IH} = 2 \text{ V}, V_{IL} = V_{IL \text{ max}}, V_O = 0.4 \text{ V}$			-20			-20		
$I_I$ Input current at maximum input voltage	$V_{CC} = \text{MAX}, V_I = 7 \text{ V}$			0.1			0.1	mA	
$I_{IH}$ High-level input current, any input	$V_{CC} = \text{MAX}, V_I = 2.7 \text{ V}$			20			20	µA	
$I_{IL}$ Low-level input current	$V_{CC} = \text{MAX}, V_{IL} = 0.4 \text{ V}$			-0.2			-0.2	mA	
$I_{OS}$ Short-circuit output current*	$V_{CC} = \text{MAX}$			-40		-225	-40	-225	mA
$I_{CC}$ Supply current	Outputs high Outputs low All outputs disabled	$V_{CC} = \text{MAX}$	All	17	27	17	27	mA	
			'LS240	26	44	26	44		
			'LS241, 'LS244	27	46	27	46		
			'LS240	29	50	29	50		
				32	54	32	54		

† For conditions shown as MIN or MAX, use the appropriate value specified under recommended operating conditions.

‡ All typical values are at  $V_{CC} = 5 \text{ V}, T_A = 25^\circ \text{C}$ .

\* Not more than one output should be shorted at a time, and duration of the short-circuit should not exceed one second.

## switching characteristics, $V_{CC} = 5 \text{ V}, T_A = 25^\circ \text{C}$

PARAMETER	TEST CONDITIONS	'LS240			'LS241, 'LS244			UNIT
		MIN	TYP	MAX	MIN	TYP	MAX	
$t_{PLH}$ Propagation delay time, low-to-high-level output	$C_L = 45 \text{ pF}, R_L = 667 \Omega,$ See Note 2		9	14	12	18	ns	
$t_{PHL}$ Propagation delay time, high-to-low-level output			12	18	12	18	ns	
$t_{PZL}$ Output enable time to low level			20	30	20	30	ns	
$t_{PZH}$ Output enable time to high level	$C_L = 5 \text{ pF}, R_L = 667 \Omega,$ See Note 2		15	23	15	23	ns	
$t_{PLZ}$ Output disable time from low level			15	25	15	25	ns	
$t_{PHZ}$ Output disable time from high level			10	18	10	18	ns	

NOTE 2: Load circuit and voltage waveforms are shown on page 3-11.

# TYPES SN54S240, SN54S241, SN74S240, SN74S241 BUFFERS/LINE DRIVERS/LINE RECEIVERS WITH 3-STATE OUTPUTS

REVISED AUGUST 1979

### recommended operating conditions

PARAMETER	SN54S'			SN74S'			UNIT
	MIN	NOM	MAX	MIN	NOM	MAX	
Supply voltage, $V_{CC}$ (see Note 1)	4.5	5	5.5	4.75	5	5.25	V
High-level output current, $I_{OH}$			-12			-15	mA
Low-level output current, $I_{OL}$			48			64	mA
External resistance between any input or $V_{CC}$ and ground			40			40	k $\Omega$
Operating free-air temperature, $T_A$ (see Note 3)	-55		125	0		70	$^{\circ}$ C

NOTES: 1. Voltage values are with respect to network ground terminal.  
 3. An SN54S241J operating at free-air temperature above 116 $^{\circ}$ C requires a heat sink that provides a thermal resistance from case to free-air,  $R_{\theta CA}$ , of not more than 40 $^{\circ}$ C/W.

### electrical characteristics over recommended operating free-air temperature range (unless otherwise noted)

PARAMETER		TEST CONDITIONS†	'S240			'S241			UNIT
			MIN	TYP‡	MAX	MIN	TYP‡	MAX	
$V_{IH}$	High-level input voltage		2			2			V
$V_{IL}$	Low-level input voltage		0.8			0.8			V
$V_{IK}$	Input clamp voltage	$V_{CC} = \text{MIN}, I_I = -18 \text{ mA}$	-1.2			-1.2			V
	Hysteresis ( $V_{T+} - V_{T-}$ )	$V_{CC} = \text{MIN}$	0.2	0.4		0.2	0.4	V	
$V_{OH}$	High-level output voltage	SN74S'	$V_{CC} = \text{MIN}, V_{IH} = 2 \text{ V}, V_{IL} = 0.8 \text{ V}, I_{OH} = -1 \text{ mA}$			2.7			V
		SN54S' and SN74S'	$V_{CC} = \text{MIN}, V_{IH} = 2 \text{ V}, V_{IL} = 0.8 \text{ V}, I_{OH} = -3 \text{ mA}$			2.4 3.4			
		SN54S' and SN74S'	$V_{CC} = \text{MIN}, V_{IH} = 2 \text{ V}, V_{IL} = 0.5 \text{ V}, I_{OH} = \text{MAX}$			2			
$V_{OL}$	Low-level output voltage	$V_{CC} = \text{MIN}, V_{IH} = 2 \text{ V}, V_{IL} = 0.8 \text{ V}, I_{OL} = \text{MAX}$	0.55			0.55			V
$I_{OZH}$	Off-state output current, high-level voltage applied	$V_{CC} = \text{MAX}, V_{IH} = 2 \text{ V}, V_{IL} = 0.8 \text{ V}, V_O = 2.4 \text{ V}$	50			50			$\mu$ A
$I_{OZL}$	Off-state output current, low-level voltage applied	$V_{CC} = \text{MAX}, V_{IH} = 2 \text{ V}, V_{IL} = 0.8 \text{ V}, V_O = 0.5 \text{ V}$	-50			-50			$\mu$ A
$I_I$	Input current at maximum input voltage	$V_{CC} = \text{MAX}, V_I = 5.5 \text{ V}$	1			1			mA
$I_{IH}$	High-level input current, any input	$V_{CC} = \text{MAX}, V_I = 2.7 \text{ V}$	50			50			$\mu$ A
$I_{IL}$	Low-level input current	Any A	-400			-400			$\mu$ A
		Any G	-2			-2			mA
$I_{OS}$	Short-circuit output current*	$V_{CC} = \text{MAX}$	-50	-225	-50	-225	mA		
$I_{CC}$	Supply current	Outputs high Outputs low Outputs open Outputs disabled	SN54S'	80	123	95	147	mA	
			SN74S'	80	135	95	160		
			SN54S'	100	145	120	170		
			SN74S'	100	150	120	180		
			SN54S'	100	145	120	170		

†For conditions shown as MIN or MAX, use the appropriate value specified under recommended operating conditions.  
 ‡All typical values are at  $V_{CC} = 5 \text{ V}, T_A = 25^{\circ}\text{C}$ .  
 \*Not more than one output should be shorted at a time, and duration of the short-circuit should not exceed one second.

### switching characteristics, $V_{CC} = 5 \text{ V}, T_A = 25^{\circ}\text{C}$

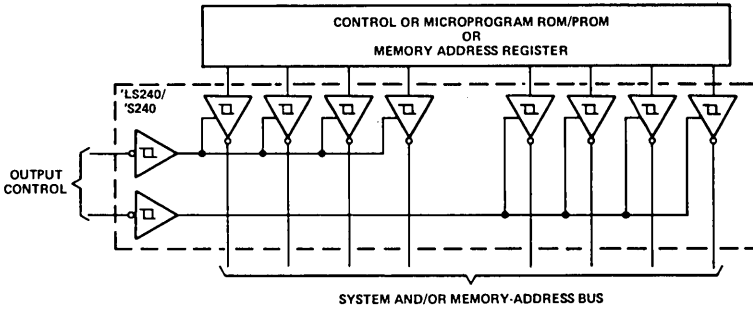
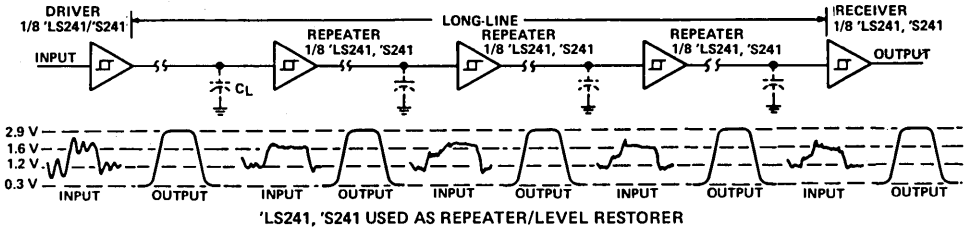
PARAMETER		TEST CONDITIONS	'S240			'S241			UNIT
			MIN	TYP	MAX	MIN	TYP	MAX	
$t_{PLH}$	Propagation delay time, low-to-high-level output	$C_L = 50 \text{ pF}, R_L = 90 \Omega,$ See Note 4	4.5	7		6	9	ns	
$t_{PHL}$	Propagation delay time, high-to-low-level output		4.5	7		6	9	ns	
$t_{pZL}$	Output enable time to low level	$C_L = 5 \text{ pF}, R_L = 90 \Omega,$ See Note 4	10	15		10	15	ns	
$t_{pZH}$	Output enable time to high level		6.5	10		8	12	ns	
$t_{pLZ}$	Output disable time from low level		10	15		10	15	ns	
$t_{pHZ}$	Output disable time from high level		6	9		6	9	ns	

NOTE 4: Load circuit and voltage waveforms are shown on page 3-10.

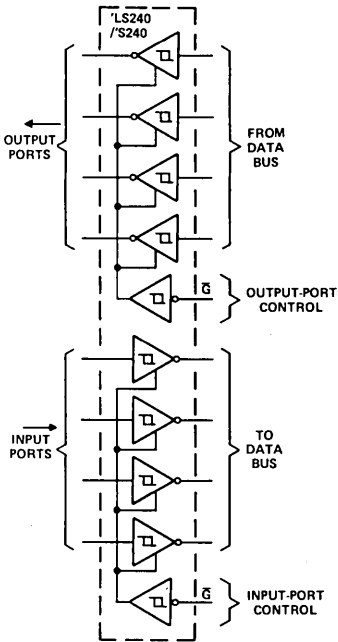
**TEXAS INSTRUMENTS**  
INCORPORATED

POST OFFICE BOX 225012 • DALLAS, TEXAS 75265

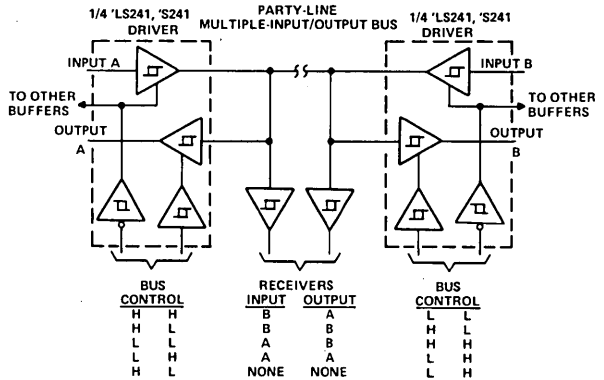
**TYPES SN54LS240, SN54LS241,  
SN54LS244, SN54S240, SN54S241, SN74LS240,  
SN74LS241, SN74LS244, SN74S240, SN74S241  
OCTAL BUFFERS AND LINE DRIVERS WITH 3-STATE OUTPUTS**



'LS241, 'S240 USED AS SYSTEM AND/OR MEMORY BUS DRIVER—4-BIT ORGANIZATION CAN BE APPLIED TO HANDLE BINARY OR BCD



INDEPENDENT 4-BIT BUS DRIVERS/RECEIVERS IN A SINGLE PACKAGE



PARTY-LINE BUS SYSTEM WITH MULTIPLE INPUTS, OUTPUTS, AND RECEIVERS

External resistance between any input of the 'S240 or 'S241 and ground or  $V_{CC}$  must not exceed 40 k $\Omega$ .

# TYPES SN54LS242, SN54LS243, SN74LS242, SN74LS243 QUADRUPLE BUS TRANSCEIVERS

- Two-Way Asynchronous Communication Between Data Buses
- P-N-P Inputs Reduce D-C Loading
- Hysteresis (Typically 400 mV) at Inputs Improves Noise Margin

## description

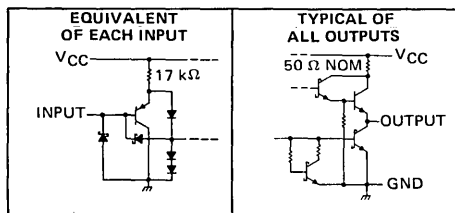
These four-data-line transceivers are designed for asynchronous two-way communications between data buses. The SN74LS' can be used to drive terminated lines down to 133 ohms.

FUNCTION TABLE (EACH TRANSCEIVER)

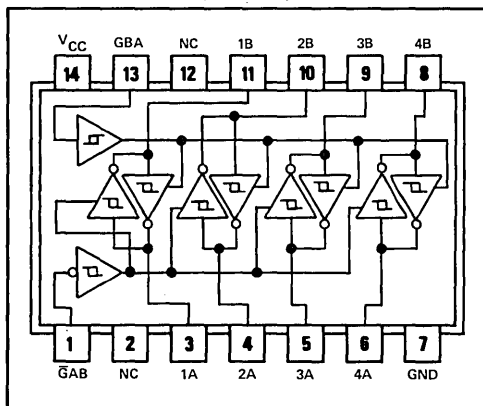
CONTROL INPUTS		'LS242 DATA PORT STATUS		'LS243 DATA PORT STATUS	
$\overline{\text{GAB}}$	GBA	A	B	A	B
H	H	$\overline{\text{O}}$	I	O	I
L	H	*	*	*	*
H	L	ISOLATED		ISOLATED	
L	L	I	$\overline{\text{O}}$	I	O

\*Possibly destructive oscillation may occur if the transceivers are enabled in both directions at once.  
I = Input, O = Output,  $\overline{\text{O}}$  = Inverting Output.

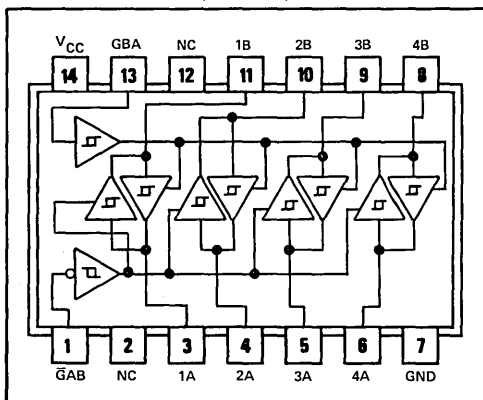
## schematics of inputs and outputs



SN54LS242 ... J OR W  
SN74LS242 ... J OR N  
(TOP VIEW)



SN54LS243 ... J OR W  
SN74LS243 ... J OR N  
(TOP VIEW)



NC—No internal connection

## recommended operating conditions

	SN54LS'			SN74LS'			UNIT
	MIN	NOM	MAX	MIN	NOM	MAX	
Supply voltage, $V_{CC}$ (see Note 1)	4.5	5	5.5	4.75	5	5.25	V
High-level output current, $I_{OH}$			-12			-15	mA
Low-level output current, $I_{OL}$			12			24	mA
Operating free-air temperature, $T_A$	-55		125	0		70	°C

NOTE 1: Voltage values are with respect to network ground terminal.

# TYPES SN54LS242, SN54LS243, SN74LS242, SN74LS243

## QUADRUPLE BUS TRANSCEIVERS

REVISED DECEMBER 1980

electrical characteristics over recommended operating free-air temperature range (unless otherwise noted)

PARAMETER	TEST CONDITIONS†	SN54LS*			SN74LS*			UNIT	
		MIN	TYP‡	MAX	MIN	TYP‡	MAX		
V <sub>IH</sub> High-level input voltage		2			2			V	
V <sub>IL</sub> Low-level input voltage				0.7			0.8	V	
V <sub>IK</sub> Input clamp voltage	V <sub>CC</sub> = MIN, I <sub>I</sub> = -18 mA			-1.5			-1.5	V	
Hysteresis (V <sub>T+</sub> - V <sub>T-</sub> )	V <sub>CC</sub> = MIN	0.2	0.4		0.2	0.4		V	
V <sub>OH</sub> High-level output voltage	V <sub>CC</sub> = MIN, V <sub>IH</sub> = 2 V, V <sub>IL</sub> = V <sub>IL</sub> max, I <sub>OH</sub> = -3 mA	2.4	3.1		2.4	3.1		V	
	V <sub>CC</sub> = MIN, V <sub>IH</sub> = 2 V, V <sub>IL</sub> = 0.5 V, I <sub>OH</sub> = MAX	2			2				
V <sub>OL</sub> Low-level output voltage	V <sub>CC</sub> = MIN, I <sub>OL</sub> = 12 mA		0.25	0.4		0.25	0.4	V	
	V <sub>CC</sub> = MIN, I <sub>OL</sub> = 24 mA					0.35	0.5		
I <sub>OZH</sub> Off-state output current, high-level voltage applied	V <sub>CC</sub> = MAX, V <sub>IH</sub> = 2 V, V <sub>O</sub> = 2.7 V			40			40	μA	
I <sub>OZL</sub> Off-state output current, low-level voltage applied	V <sub>CC</sub> = MAX, V <sub>IH</sub> = 2 V, V <sub>O</sub> = 0.4 V			-200			-200	μA	
I <sub>I</sub> Input current at maximum input voltage	A or B			0.1			0.1	mA	
	GAB or GBA			0.1			0.1		
I <sub>IH</sub> High-level input current, any input	V <sub>CC</sub> = MAX, V <sub>I</sub> = 2.7 V			20			20	μA	
I <sub>IL</sub> Low-level input current	A inputs			-0.2			-0.2	mA	
	B inputs			-0.2			-0.2		
	GAB or GBA			-0.2			-0.2		
I <sub>OS</sub> Short-circuit output current*	V <sub>CC</sub> = MAX	-40		-225	-40		-225	mA	
I <sub>CC</sub> Supply current	Outputs high	V <sub>CC</sub> = MAX, 'LS242, 'LS243		22	38		22	38	mA
	Outputs low	V <sub>CC</sub> = MAX, 'LS242, 'LS243		29	50		29	50	
	All outputs disabled	See Note 2		29	50		29	50	
				32	54		32	54	

† For conditions shown as MIN or MAX, use the appropriate value specified under recommended operating conditions.

‡ All typical values are at V<sub>CC</sub> = 5 V, T<sub>A</sub> = 25°C.

\* Not more than one output should be shorted at a time, and duration of the short-circuit should not exceed one second.

NOTE 2: I<sub>CC</sub> is measured with transceivers enabled in one direction only, or with all transceivers disabled.

### switching characteristics, V<sub>CC</sub> = 5 V, T<sub>A</sub> = 25°C

PARAMETER	TEST CONDITIONS	'LS242			'LS243			UNIT
		MIN	TYP	MAX	MIN	TYP	MAX	
t <sub>PLH</sub> Propagation delay time, low-to-high-level output	C <sub>L</sub> = 45 pF, R <sub>L</sub> = 667 Ω, See Note 3		9	14		12	18	ns
t <sub>PHL</sub> Propagation delay time, high-to-low-level output			12	18		12	18	ns
t <sub>PZL</sub> Output enable time to low level			20	30		20	30	ns
t <sub>PZH</sub> Output enable time to high level			15	23		15	23	ns
t <sub>PLZ</sub> Output disable time from low level	C <sub>L</sub> = 5 pF, R <sub>L</sub> = 667 Ω, See Note 3		15	25		15	25	ns
t <sub>PHZ</sub> Output disable time from high level			10	18		10	18	ns

NOTE 3: Load circuit and waveforms are shown on page 3-11.

# TYPES SN54265, SN74265 QUADRUPLE COMPLEMENTARY-OUTPUT ELEMENTS

## FOR SYMMETRICAL GENERATION OF COMPLEMENTARY TTL SIGNALS

- Switching Time Skew of the Complementary Outputs Is Typically 0.5 ns . . . Guaranteed to be No More than 3 ns at Rated Loading
- Full Fan-Out to 20 High-Level and 10 Low-Level 54/74 Loads
- Active Pull-Down Provides Square Transfer Characteristic

### description

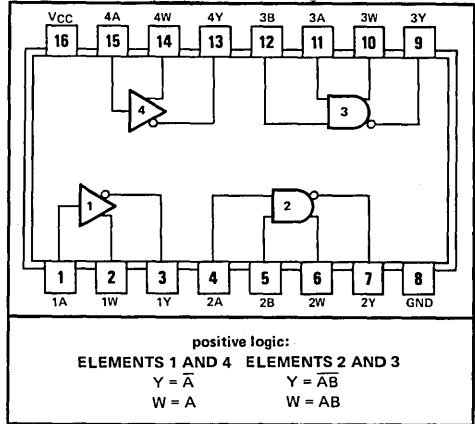
The SN54265 and SN74265 circuits feature complementary outputs from each logic element, which have virtually symmetrical switching time delays from the triggering input. They are designed specifically for use in applications such as:

- Symmetrical clock/ $\overline{\text{clock}}$  generators
- Complementary input circuit for decoders and code converters
- Switch debouncing
- Differential line driver

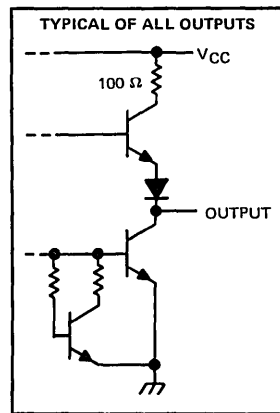
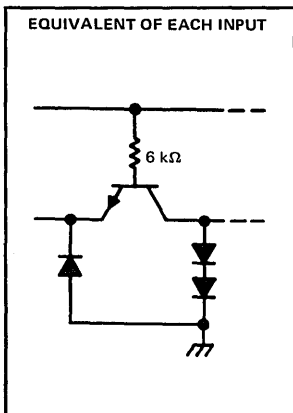
Examples of these four functions are illustrated in the typical application data.

The SN54265 is characterized for operation over the full military temperature range of  $-55^{\circ}\text{C}$  to  $125^{\circ}\text{C}$ ; the SN74265 is characterized for operation from  $0^{\circ}\text{C}$  to  $70^{\circ}\text{C}$ .

SN54265 . . . J OR W PACKAGE  
SN74265 . . . J OR N PACKAGE  
(TOP VIEW)



### schematics of inputs and outputs





# TYPES SN54265, SN74265

## QUADRUPLE COMPLEMENTARY-OUTPUT ELEMENTS

### recommended operating conditions

	SN54265			SN74265			UNIT
	MIN	NOM	MAX	MIN	NOM	MAX	
Supply voltage, $V_{CC}$	4.5	5	5.5	4.75	5	5.25	V
High-level output current, $I_{OH}$	-800			-800			$\mu A$
Low-level output current, $I_{OL}$	16			16			$m A$
Operating free-air temperature, $T_A$	-55			125			$^{\circ} C$

### electrical characteristics over recommended operating free-air temperature range (unless otherwise noted)

PARAMETER	TEST CONDITIONS <sup>†</sup>	MIN	TYP <sup>‡</sup>	MAX	UNIT						
$V_{IH}$ High-level input voltage		2			V						
$V_{IL}$ Low-level input voltage		0.8			V						
$V_{IK}$ Input clamp voltage	$V_{CC} = \text{MIN}, I_I = -12 \text{ mA}$	-1.5			V						
$V_{OH}$ High-level output voltage	$V_{CC} = \text{MIN}, I_{OH} = -800 \mu A$	2.4	3.4		V						
$V_{OL}$ Low-level output voltage	$V_{CC} = \text{MIN}, I_{OL} = 16 \text{ mA}$	0.2	0.4		V						
$I_I$ Input current at maximum input voltage	$V_{CC} = \text{MAX}, V_I = 5.5 \text{ V}$	1			$m A$						
$I_{IH}$ High-level input current	$V_{CC} = \text{MAX}, V_I = 2.4 \text{ V}$	40			$\mu A$						
$I_{IL}$ Low-level input current	$V_{CC} = \text{MAX}, V_I = 0.4 \text{ V}$	-1.6			$m A$						
$I_{OS}$ Short-circuit output current <sup>§</sup>	$V_{CC} = \text{MAX}$	<table border="1"> <tr> <td>SN54265</td> <td>-20</td> <td>-57</td> </tr> <tr> <td>SN74265</td> <td>-18</td> <td>-57</td> </tr> </table>		SN54265	-20	-57	SN74265	-18	-57		$m A$
SN54265	-20	-57									
SN74265	-18	-57									
$I_{CC}$ Supply current	$V_{CC} = \text{MAX}$ , See Note 3	25	34		$m A$						

<sup>†</sup>For conditions shown as MIN or MAX, use the appropriate value specified under recommended operating conditions.

<sup>‡</sup>All typical values are at  $V_{CC} = 5 \text{ V}, T_A = 25^{\circ} C$ .

<sup>§</sup>Not more than one output should be shorted at a time.

NOTE 3:  $I_{CC}$  is measured with all outputs open and all inputs grounded.

### switching characteristics, $V_{CC} = 5 \text{ V}, T_A = 25^{\circ} C$

PARAMETER <sup>¶</sup>	FROM (INPUT)	TO (OUTPUT)	TEST CONDITIONS	MIN	TYP	MAX	UNIT
$t_{PLH}(W)$	A or B	W	$R_L = 400 \Omega$ , $C_L = 15 \text{ pF}$ , See Note 4	11.6	18		ns
$t_{PHL}(Y)$	(as applicable)	Y		11.3	18		
$t_{PHL}(W)$	A or B	W		9.8	18		ns
$t_{PLH}(Y)$	(as applicable)	Y		10.2	18		
$t_{PLH}(W) - t_{PHL}(Y)$	A or B	W with respect to Y		+0.3	$\pm 3$		ns
$t_{PHL}(W) - t_{PLH}(Y)$	(as applicable)			-0.4	$\pm 3$		

$t_{PLH}$   $\equiv$  Propagation delay time, low-to-high-level output.

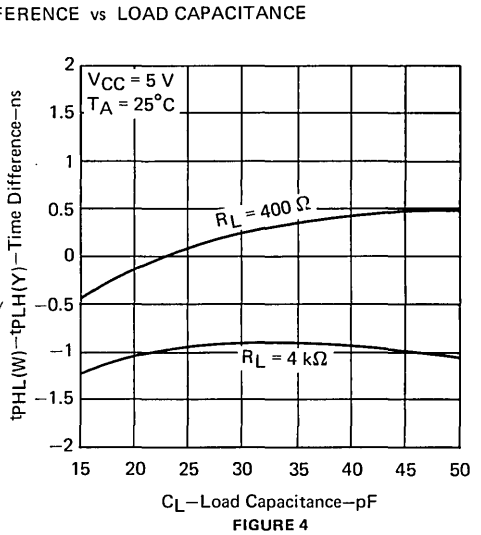
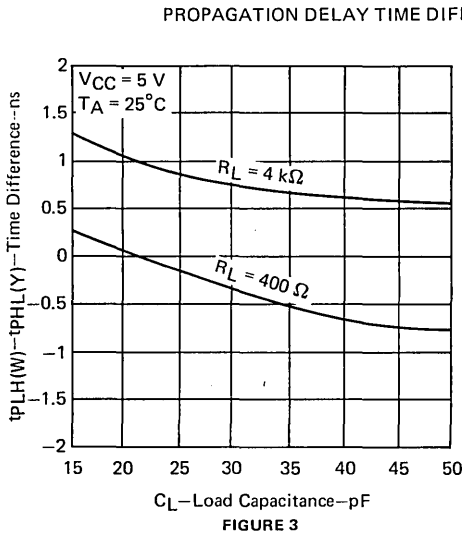
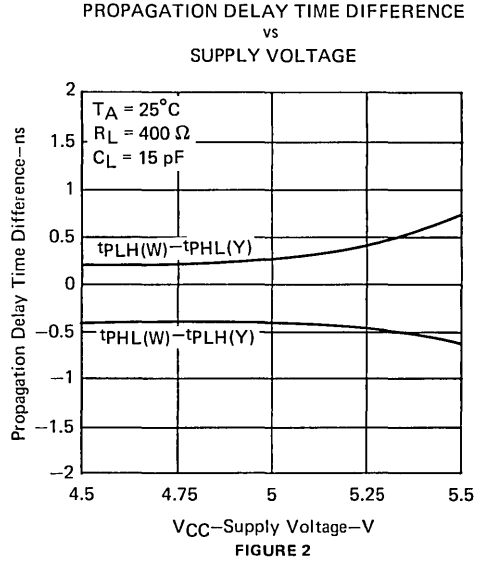
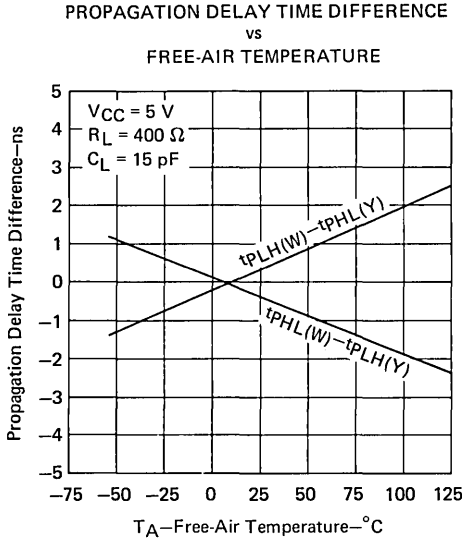
$t_{PHL}$   $\equiv$  Propagation delay time, high-to-low-level output.

$t_{PXX}(W) - t_{PXX}(Y)$   $\equiv$  Difference in indicated propagation delay times at the W and Y outputs, respectively.

NOTE 4: Load circuit and voltage waveforms are shown on page 3-10.

# TYPES SN54265, SN74265 QUADRUPLE COMPLEMENTARY-OUTPUT ELEMENTS

## TYPICAL CHARACTERISTICS†



†Data for temperatures below 0°C and above 70°C and for supply voltages below 4.75 V and above 5.25 V are applicable for SN54265 only.

**TYPES SN54265, SN74265**  
**QUADRUPLE COMPLEMENTARY-OUTPUT ELEMENTS**

TYPICAL APPLICATION DATA

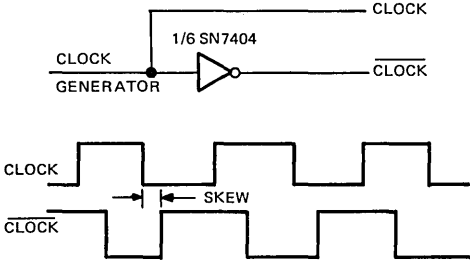


FIGURE A - TYPICAL CLOCK/ $\overline{\text{CLOCK}}$  GENERATOR CIRCUIT

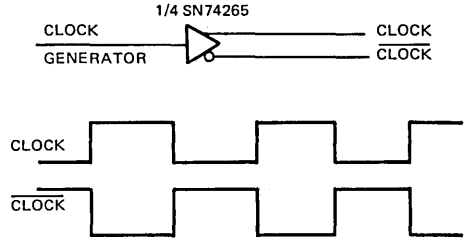


FIGURE B - SKEWLESS CLOCK/ $\overline{\text{CLOCK}}$  GENERATOR CIRCUIT

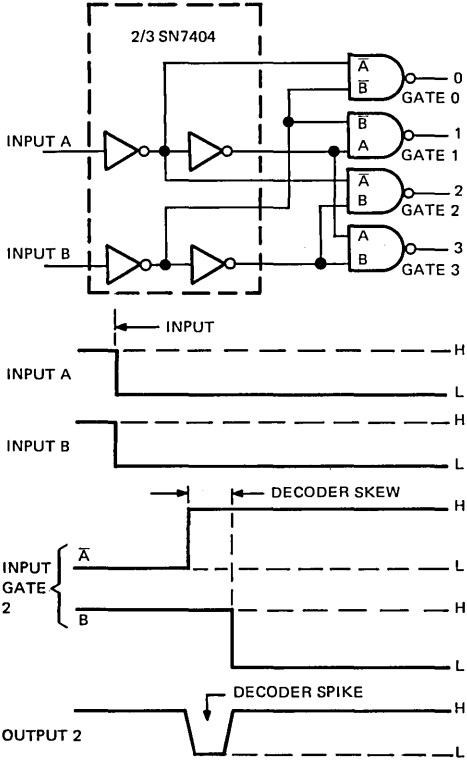


FIGURE C - TYPICAL DECODER/CODE CONVERTER

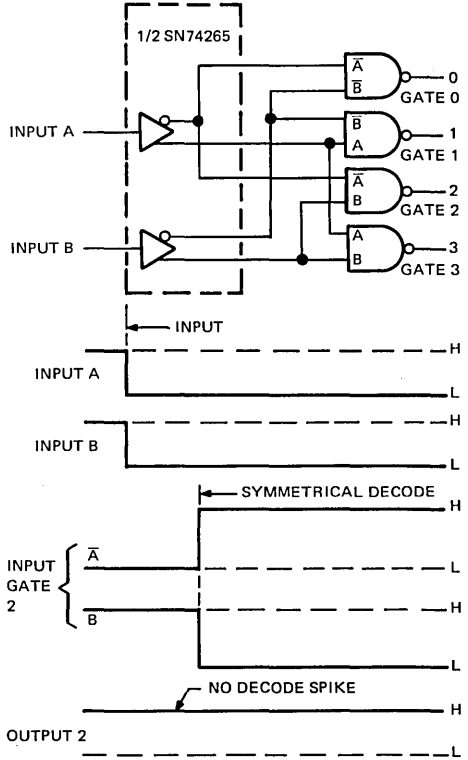


FIGURE D - SYMMETRICAL DECODER/CODE CONVERTER

6

# TYPES SN54265, SN74265 QUADRUPLE COMPLEMENTARY-OUTPUT ELEMENTS

## TYPICAL APPLICATION DATA

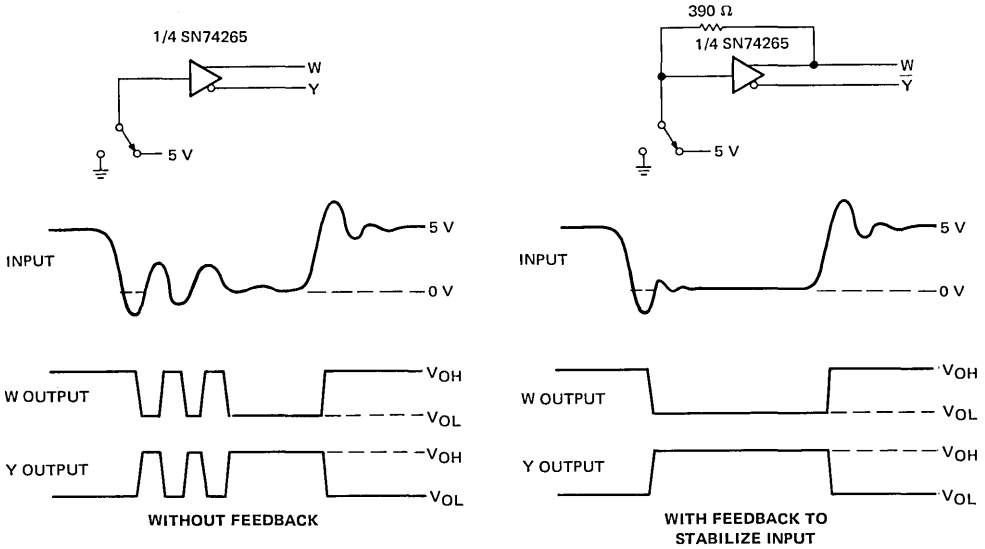
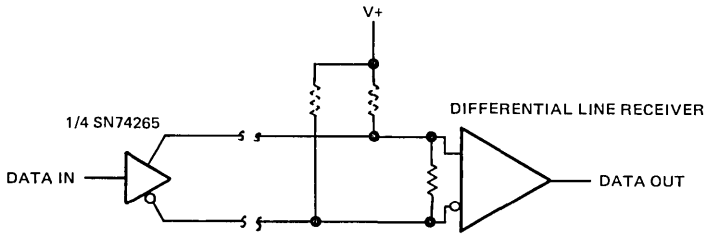


FIGURE E – SWITCH DEBOUNCER



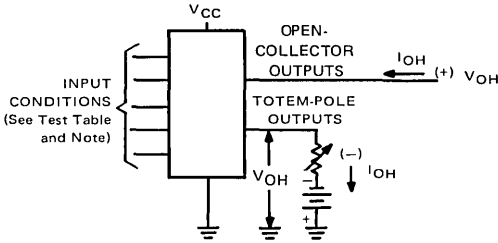
Noise immunity typically 3 V  
for either high level or low level data

FIGURE F – DIFFERENTIAL LINE DRIVER

# SERIES 54/74, 54H/74H, 54L/74L, 54LS/74LS, 54S/74S

## TRANSISTOR-TRANSISTOR LOGIC

### PARAMETER MEASUREMENT INFORMATION

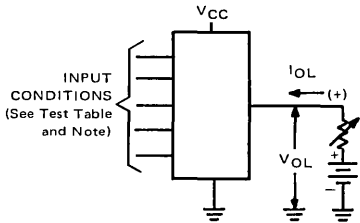


NOTE: For functions having three-state outputs, input conditions are maintained which will cause the outputs to be enabled (low-impedance).

FIGURE 1— $V_{IH}$ ,  $V_{IL}$ ,  $V_{OH}$ ,  $I_{OH}$

#### TEST TABLE

FUNCTION	INPUT CONDITIONS
NAND	Input under test at $V_{IL}$ max, all others at 4.5 V
AND	All inputs at $V_{IH}$ min
NOR	All inputs at $V_{IL}$ max
OR	Input under test at $V_{IH}$ min, all others at GND
AND-OR-INVERT	Inputs under test (a set including one input of each AND gate) at $V_{IL}$ max, all others at 4.5 V
AND-OR	All inputs of AND gate under test at $V_{IH}$ min, all others at GND



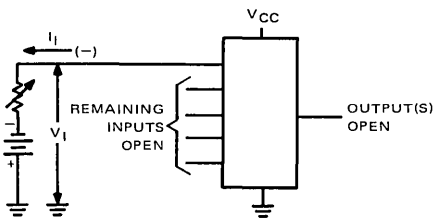
NOTE: For functions having three-state outputs, input conditions are maintained which will cause the outputs to be enabled (low-impedance).

FIGURE 2— $V_{IH}$ ,  $V_{IL}$ ,  $V_{OL}$

#### TEST TABLE

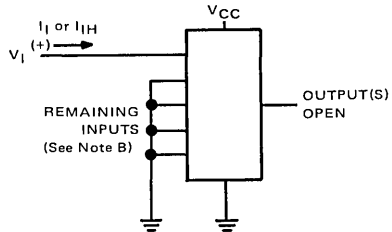
FUNCTION	INPUT CONDITIONS
NAND	All inputs at $V_{IH}$ min
AND	Input under test at $V_{IL}$ max, all others at 4.5 V
NOR	Input under test at $V_{IH}$ min, others at GND
OR	All inputs at $V_{IL}$ max
AND-OR-INVERT	All inputs of AND gate under test at $V_{IH}$ min, all others at GND
AND-OR	Inputs under test (a set including one input of each AND gate) at $V_{IH}$ min, all others at 4.5 V

6



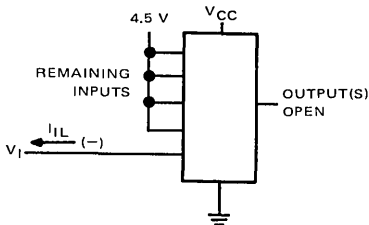
NOTE: Each input is tested separately.

FIGURE 3— $V_I$



NOTES: A. Each input is tested separately.  
B. When testing AND-OR-INVERT or AND-OR gates, each AND gate is tested separately with inputs of AND gates not under test open when testing  $I_I$  and grounded when testing  $I_{IH}$ .

FIGURE 4— $I_I$ ,  $I_{IH}$

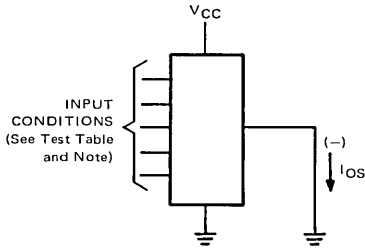


NOTES: A. Each input is tested separately.  
B. When testing AND-OR-INVERT or AND-OR gates, each AND gate is tested separately with inputs of AND gates not under test open.

FIGURE 5— $I_{IL}$

# SERIES 54/74, 54H/74H, 54L/74L, 54LS/74LS, 54S/74S TRANSISTOR-TRANSISTOR LOGIC

## PARAMETER MEASUREMENT INFORMATION

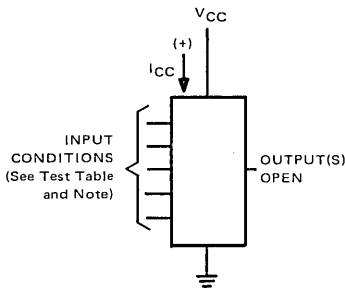


TEST TABLE

FUNCTION	INPUT CONDITIONS
NAND	All inputs at GND
AND	All inputs at 4.5 V
NOR	All inputs at GND
OR	All inputs at 4.5 V
AND-OR-INVERT	All inputs at GND
AND-OR	All inputs at 4.5 V

NOTE: For functions having three-state outputs, input conditions are maintained which will cause the outputs to be enabled (low-impedance).

FIGURE 6— $I_{OS}$



TEST TABLE

FUNCTION	INPUT CONDITIONS FOR $I_{CCH}$	INPUT CONDITIONS FOR $I_{CCL}$
NAND	All inputs at GND	All inputs at 4.5 V
AND	All inputs at 4.5 V	All inputs at GND
NOR	All inputs at GND	One input at 4.5 V, all others at GND
OR	One input at 4.5 V, all others at GND	All inputs at GND
AND-OR-INVERT	All inputs at GND	All inputs of one AND gate at 4.5 V, all others at GND
AND-OR	All inputs of one AND gate at 4.5 V, all others at GND	All inputs at GND

NOTE:  $I_{CC}$  is measured simultaneously for all functions in a package. The average-per-gate values are calculated from the appropriate one of the following equations:

$$I_{CC}, I_{CCH}, \text{ or } I_{CCL} \text{ (average per gate or flip-flop)} = \frac{\text{total } I_{CC}, I_{CCH}, \text{ or } I_{CCL}}{\text{(number of gates or flip-flops in package)}}$$

$$I_{CC} \text{ (average per gate, 50\% duty cycle)} = \frac{I_{CCH} + I_{CCL}}{2 \text{ (number of gates in package)}}$$

FIGURE 7— $I_{CC}$

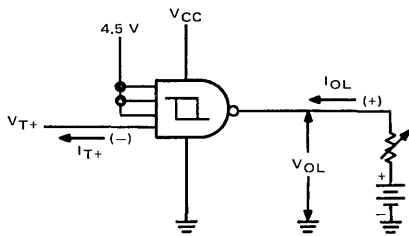


FIGURE 8— $V_{T+}$ ,  $I_{T+}$ ,  $V_{OL}$  (FOR NAND SCHMITT TRIGGERS)

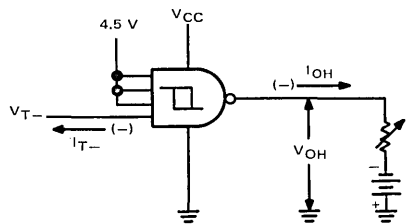
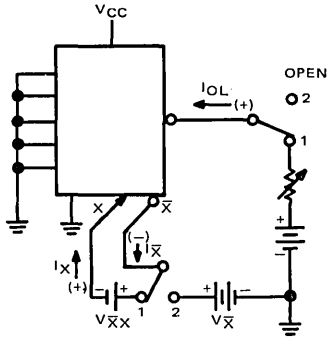


FIGURE 9— $V_{T-}$ ,  $I_{T-}$ ,  $V_{OH}$  (FOR NAND SCHMITT TRIGGERS)

# SERIES 54/74, 54H/74H, 54L/74L, 54LS/74LS, 54S/74S

## TRANSISTOR-TRANSISTOR LOGIC

### PARAMETER MEASUREMENT INFORMATION



- NOTES: A. Switches are in position 1 for SN54/SN74', position 2 for SN54H/SN74H'.
- B. The  $I_{\bar{X}}$  limit for SN54' and SN74' circuits may be verified by an alternate equivalent procedure. The  $V_{\bar{X}X}$  source is replaced by a resistor in parallel with a voltmeter between the X and  $\bar{X}$  pins. If the measured voltage,  $V_{\bar{X}X}$ , is less than 0.4, the specified limit for  $I_{\bar{X}}$  is met.

#### RESISTANCE VALUE TABLE

SN5423	114 $\Omega$
SN5450, SN5453	138 $\Omega$
SN7423	105 $\Omega$
SN7450, SN7453	130 $\Omega$

FIGURE 10— $I_{\bar{X}}$  (FOR EXPANDABLE GATES)

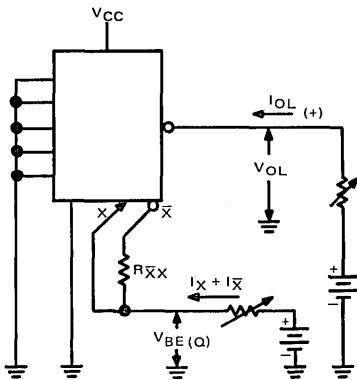


FIGURE 11— $V_{BE(Q)}$  (FOR EXPANDABLE GATES)

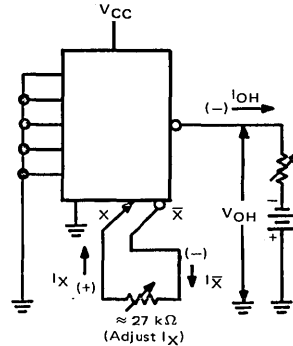


FIGURE 12— $V_{OH}$  (FOR EXPANDABLE GATES)

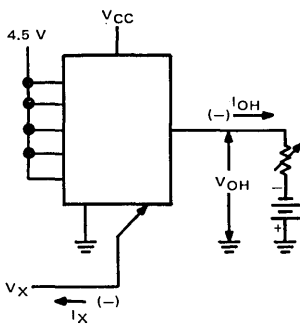


FIGURE 13— $V_{OH}$  (FOR EXPANDABLE GATES)

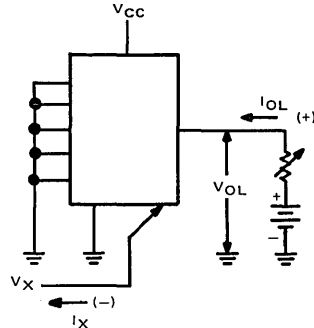


FIGURE 14— $V_{OL}$  (FOR EXPANDABLE GATES)

# SERIES 54/74, 54H/74H, 54L/74L, 54LS/74LS, 54S/74S TRANSISTOR-TRANSISTOR LOGIC

## PARAMETER MEASUREMENT INFORMATION

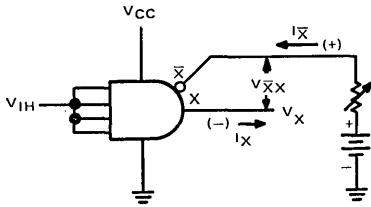


FIGURE 15—ON-STATE CHARACTERISTICS FOR EXPANDERS

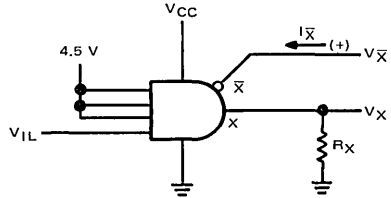


FIGURE 16—OFF-STATE CHARACTERISTICS FOR EXPANDERS

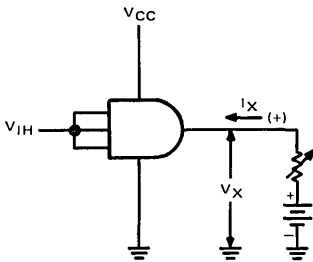


FIGURE 17—ON-STATE CHARACTERISTICS FOR EXPANDERS

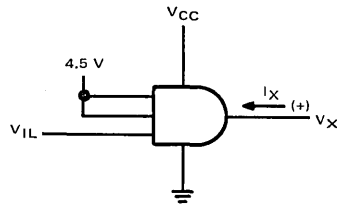
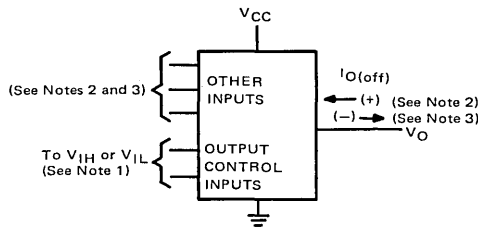


FIGURE 18—OFF-STATE CHARACTERISTICS FOR EXPANDERS



- NOTES: 1. Input conditions are maintained which will ensure that the three-state output(s) is (are) disabled to the high-impedance state. See function table or logic for the particular device.  
 2. When testing for current into the output with a high-level output voltage, input conditions are applied that would cause the output to be low if it were enabled.  
 3. When testing for current out of the output with a low-level output voltage, input conditions are applied that would cause the output to be high if it were enabled.

FIGURE 19— $I_{O(off)}$  (THREE-STATE OUTPUTS)



# SERIES 54/74 TRANSISTOR-TRANSISTOR LOGIC

## TYPICAL CHARACTERISTICS†§

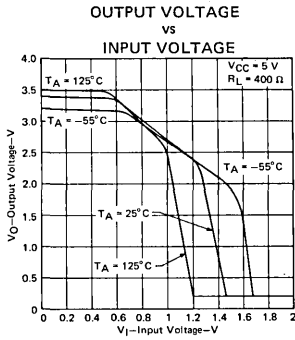


FIGURE A1

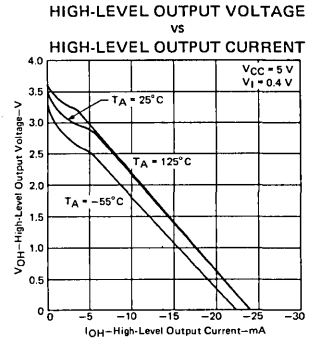


FIGURE A2

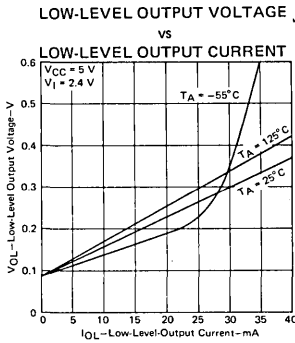


FIGURE A3

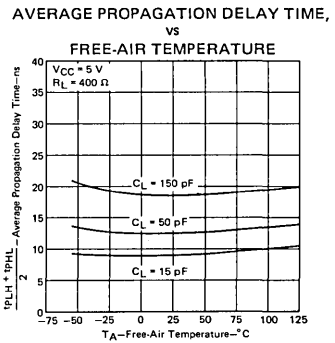


FIGURE A4

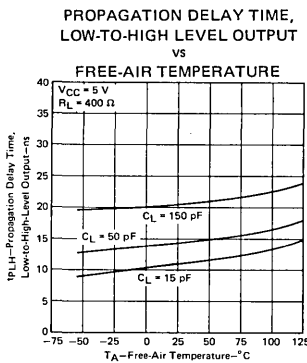


FIGURE A5

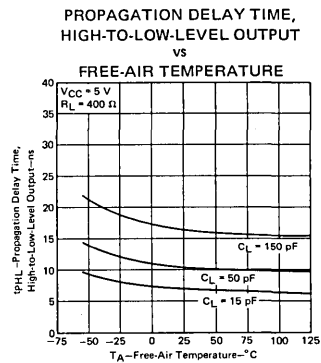


FIGURE A6

† Data for temperatures below 0°C and above 70°C are applicable for Series 54 circuits only.

§ Data as shown are applicable specifically for the NAND gates with totem-pole outputs.

# SERIES 54H/74H HIGH-SPEED TRANSISTOR-TRANSISTOR LOGIC

## TYPICAL CHARACTERISTICS†§

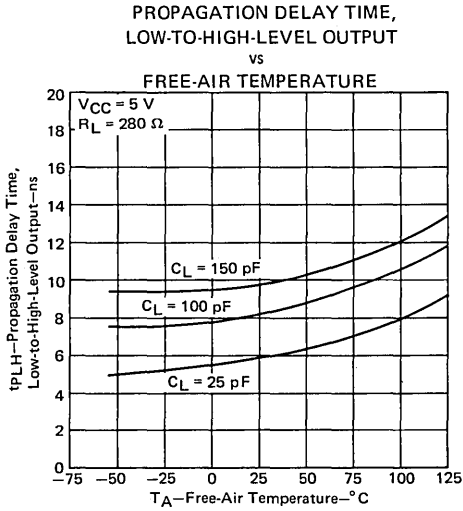


FIGURE B1

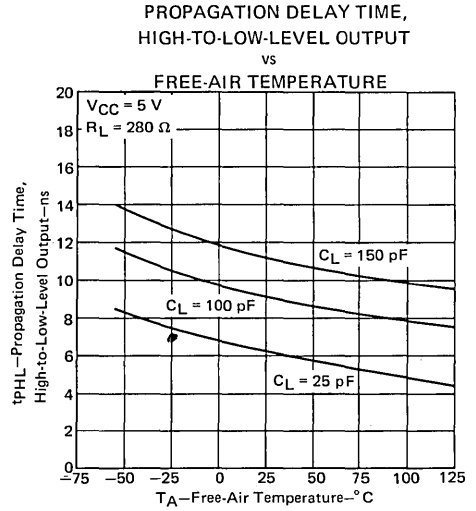


FIGURE B2

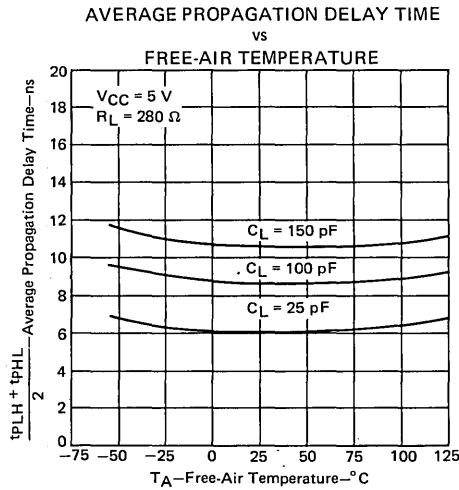


FIGURE B3

† Data for temperatures below 0°C and above 70°C are applicable for Series 54H circuits only.

§ Data as shown are applicable specifically for the NAND gates with totem-pole outputs.

# SERIES 54L/74L

## LOW-POWER TRANSISTOR-TRANSISTOR LOGIC

### TYPICAL CHARACTERISTICS†§

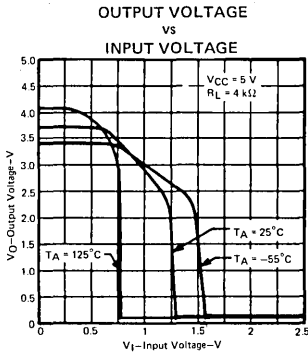


FIGURE C1  
OUTPUT VOLTAGE  
vs  
INPUT VOLTAGE

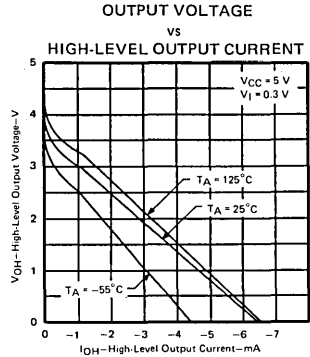


FIGURE C2  
OUTPUT VOLTAGE  
vs  
HIGH-LEVEL OUTPUT CURRENT

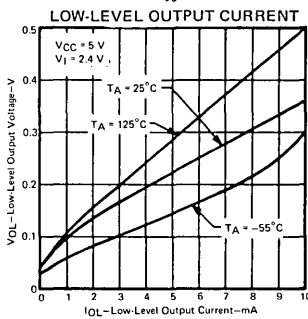


FIGURE C3

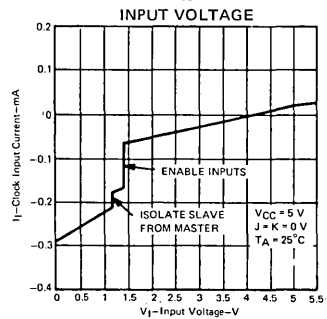


FIGURE C4  
CLOCK INPUT CURRENT PER FLIP-FLOP  
vs  
INPUT VOLTAGE

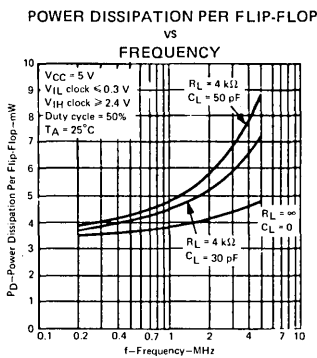


FIGURE C5

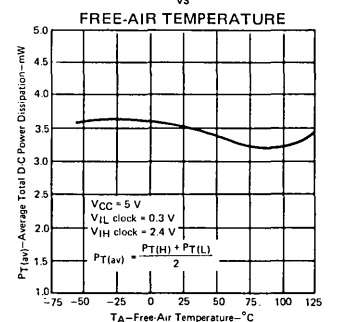


FIGURE C6

†Data for temperatures below 0°C and above 70°C are applicable for Series 54L circuits only.

§Unless otherwise noted, data as shown are applicable specifically for the NAND gates with totem-pole outputs.

# SERIES 54L/74L

## LOW-POWER TRANSISTOR-TRANSISTOR LOGIC

### TYPICAL CHARACTERISTICS†§

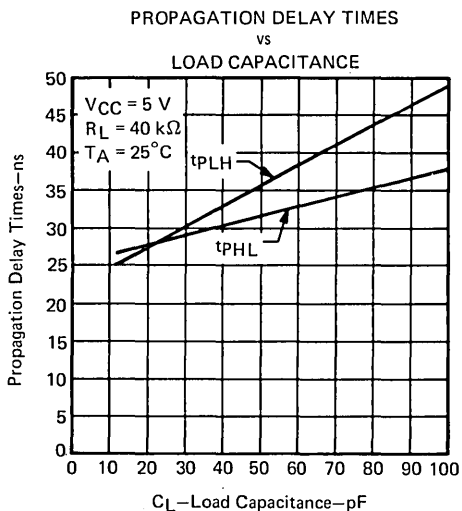


FIGURE C7

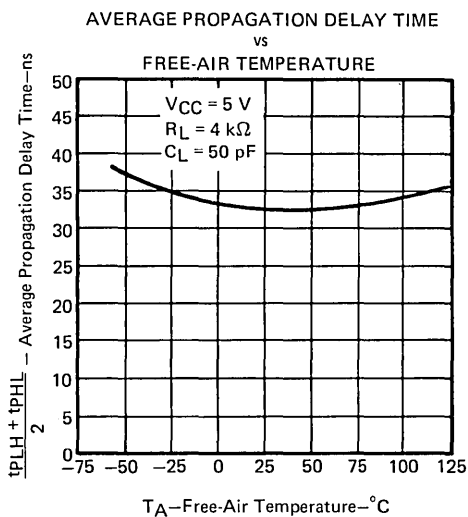


FIGURE C8

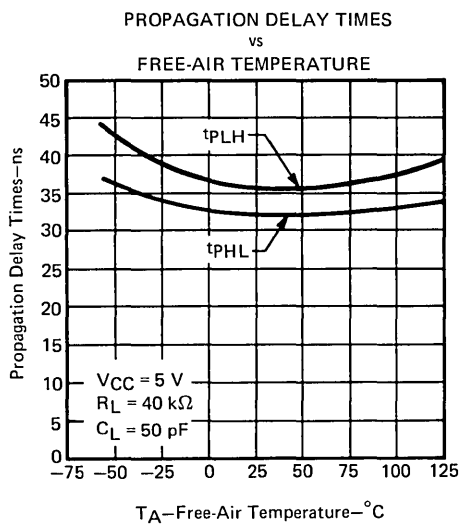


FIGURE C9

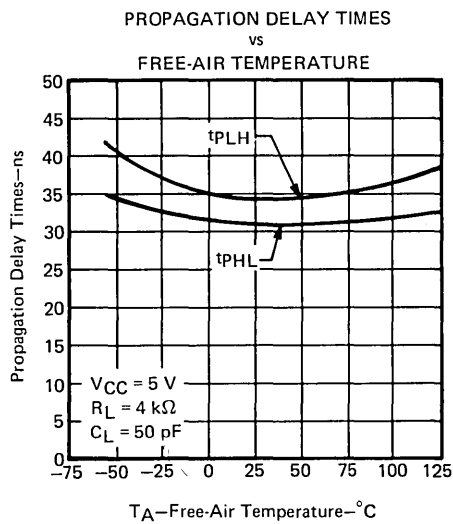


FIGURE C10

† Data for temperatures below 0°C and above 70°C are applicable for Series 54L circuits only.

§ Data as shown are applicable specifically for the NAND gates with totem-pole outputs.

# 54LS/74LS

## SCHOTTKY-CLAMPED LOW-POWER TRANSISTOR-TRANSISTOR LOGIC

### TYPICAL CHARACTERISTICS†§

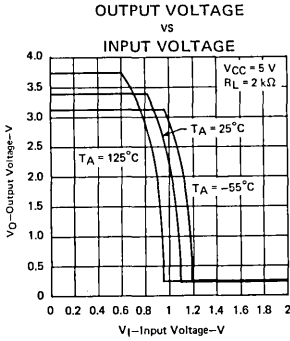


FIGURE D1

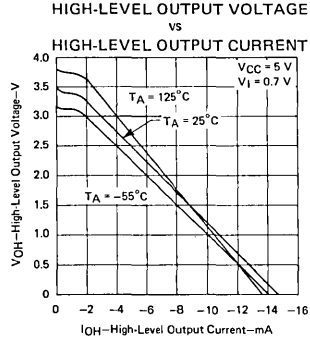


FIGURE D2

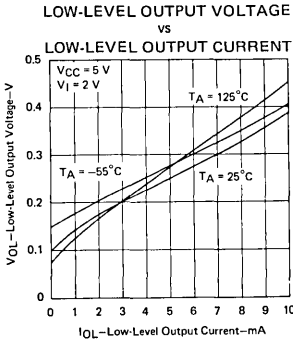


FIGURE D3

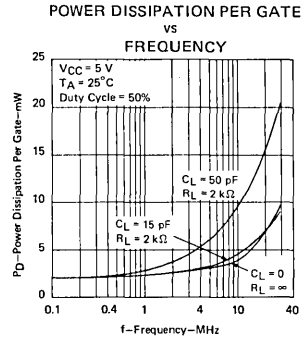


FIGURE D4

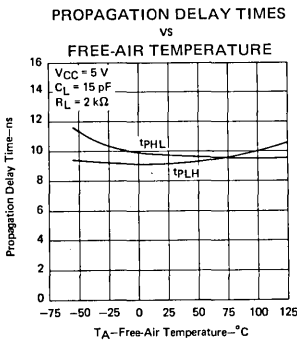


FIGURE D5

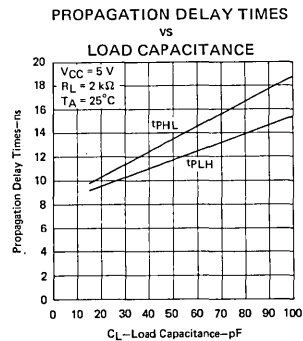


FIGURE D6

† Data for temperatures below 0°C and above 70°C are applicable for Series 54LS circuits only.  
 § Data as shown are applicable specifically for the NAND gates with totem-pole outputs.

# SERIES 54S/74S SCHOTTKY-CLAMPED TRANSISTOR-TRANSISTOR LOGIC

## TYPICAL CHARACTERISTICS†§

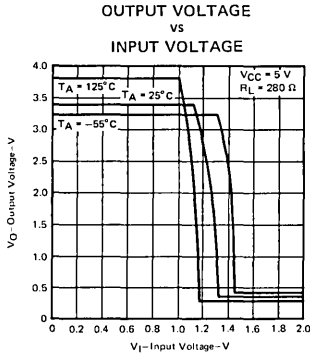


FIGURE E1

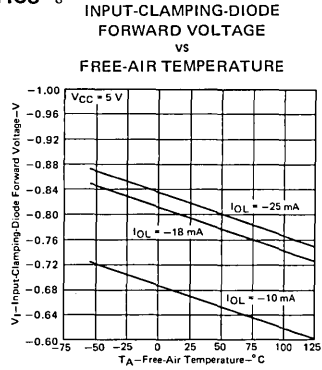


FIGURE E2

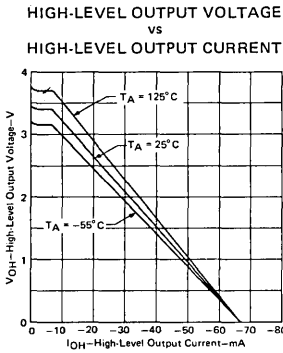


FIGURE E3

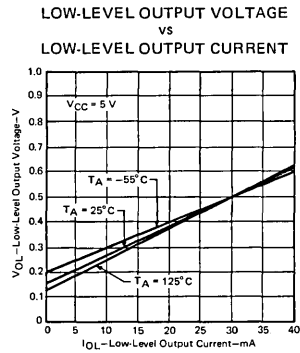


FIGURE E4

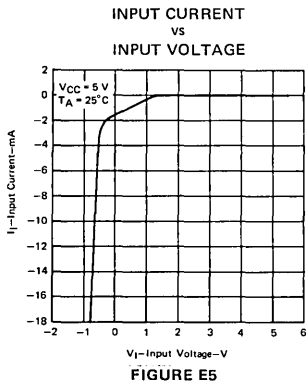


FIGURE E5

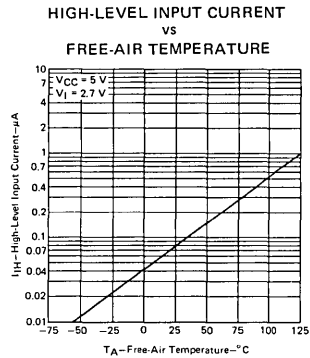


FIGURE E6

†Data for temperatures below 0°C and above 70°C are applicable for Series 54S circuits only.

§Data as shown are applicable specifically for the NAND gates with totem-pole outputs.

6

# SERIES 54S/74S

## SCHOTTKY-CLAMPED TRANSISTOR-TRANSISTOR LOGIC

### TYPICAL CHARACTERISTICS†§

PROPAGATION DELAY TIME,  
LOW-TO-HIGH-LEVEL OUTPUT  
VS  
FREE-AIR TEMPERATURE

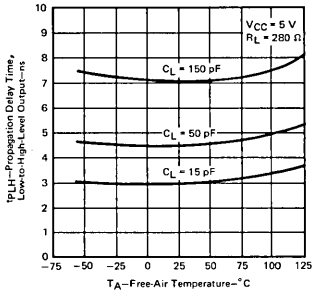


FIGURE E7

PROPAGATION DELAY TIME,  
LOW-TO-HIGH-LEVEL OUTPUT  
VS  
SUPPLY VOLTAGE

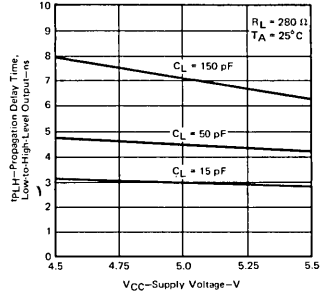


FIGURE E8

PROPAGATION DELAY TIME,  
HIGH-TO-LOW-LEVEL OUTPUT  
VS  
FREE-AIR TEMPERATURE

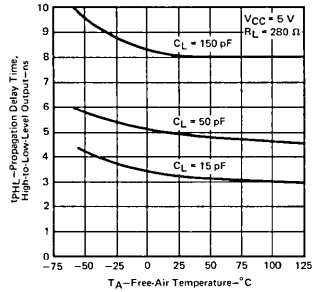


FIGURE E9

PROPAGATION DELAY TIME,  
HIGH-TO-LOW-LEVEL OUTPUT  
VS  
SUPPLY VOLTAGE

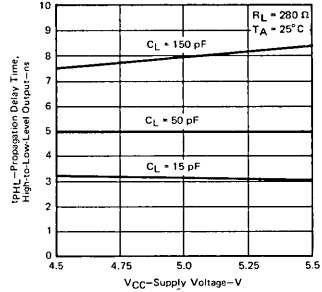


FIGURE E10

AVERAGE PROPAGATION DELAY TIME  
VS  
FREE-AIR TEMPERATURE

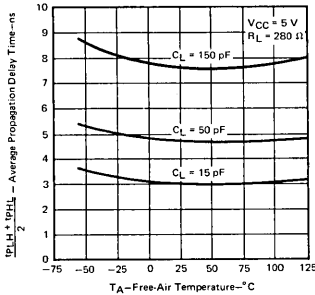


FIGURE E11

POWER DISSIPATION PER GATE  
VS  
FREQUENCY

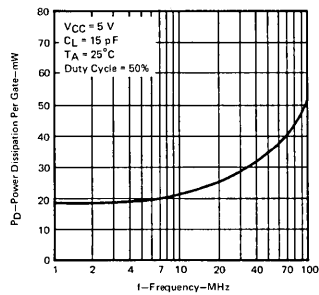


FIGURE E12

† Data for temperatures below  $0^\circ \text{ C}$  and above  $70^\circ \text{ C}$  are applicable for Series 54S circuits only.

§ Data as shown are applicable specifically for the NAND gates with totem-pole outputs.

# SERIES 54S/74S

## SCHOTTKY-CLAMPED TRANSISTOR-TRANSISTOR LOGIC

### TYPICAL CHARACTERISTICS FOR FLIP-FLOPS†

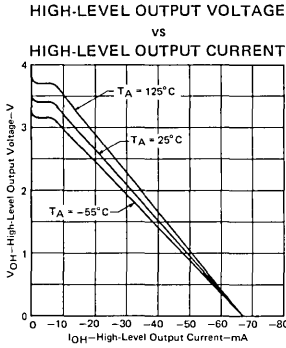


FIGURE E13

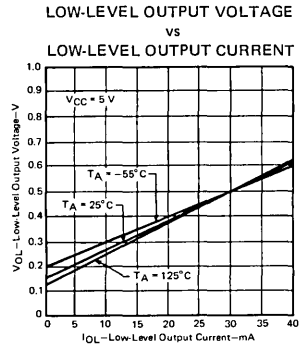


FIGURE E14

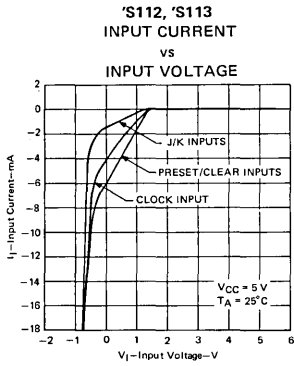


FIGURE E15

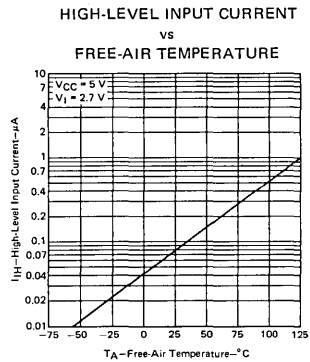


FIGURE E16

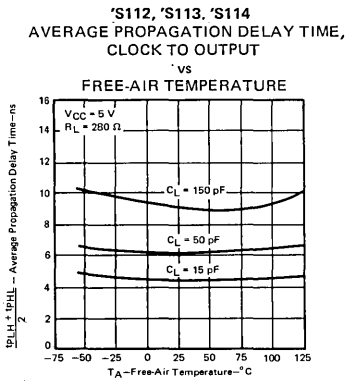


FIGURE E17

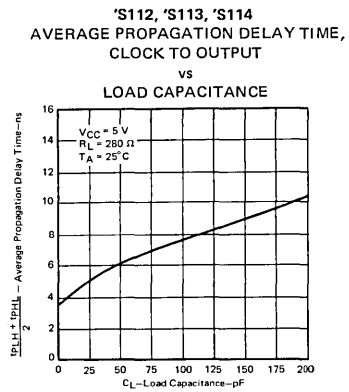


FIGURE E18

†Data for temperatures below 0°C and above 70°C are applicable for Series 54S circuits only.





# **54/74 Family MSI/LSI Circuits**



# MSI/LSI FUNCTIONS

## FUNCTIONAL INDEX/SELECTION GUIDE

---

The following pages contain functional indexes and selection guides designed to simplify the choice of a particular function to fit a specific application. Essential characteristics of similar or like functions are grouped for comparative analysis, and the electrical specifications are referenced by page number. The following categories of functions are covered:

	Page
Adders	7-4
Accumulators, arithmetic logic units, look-ahead carry generators	7-4
Multipliers	7-4
Comparators	7-4
Parity generators/checkers	7-5
Other arithmetic operators	7-5
Quad, hex, and octal flip-flops	7-5
Register files	7-5
Shift registers	7-6
Other registers	7-6
Latches	7-7
Clock generator circuits	7-7
Code converters	7-7
Priority encoders/registers	7-8
Data selectors/multiplexers	7-8
Decoders/demultiplexers	7-9
Open-collector display decoders/drivers with counters/latches	7-9
Open-collector display decoders/drivers	7-10
Bus transceivers and drivers	7-11
Asynchronous counters (ripple clock)—negative-edge triggered	7-11
Synchronous counters—Positive-edge triggered	7-12
Bipolar bit-slice processor elements	7-12
First-in first-out memories (FIFO's)	7-12
Random-access read/write memories (RAM's)	7-13
Read-only memories (ROM's)	7-13
Programmable-read-only memories (PROM's)	7-14
Microprocessor controllers and support functions	7-14
Error detection and correction circuits	7-14

# MSI/LSI FUNCTIONS FUNCTIONAL INDEX/SELECTION GUIDE

## ADDERS

DESCRIPTION	TYPICAL CARRY TIME	TYPICAL ADD TIME	TYP POWER DISSIPATION PER BIT	DEVICE TYPE AND PACKAGE				PAGE NO.
				-55°C to 125°C		0°C to 70°C		
				Part No.	Package	Part No.	Package	
SINGLE 1-BIT GATED FULL ADDERS	10.5 ns	52 ns	105 mW	SN5480	J, W	SN7480	J, N	7-41
SINGLE 2-BIT FULL ADDERS	14.5 ns	25 ns	87 mW	SN5482	J, W	SN7482	J, N	7-49
SINGLE 4-BIT FULL ADDERS	10 ns	15 ns	24 mW	SN54LS83A	J, W	SN74LS83A	J, N	7-53
	10 ns	15 ns	24 mW	SN54LS283	J, W	SN74LS283	J, N	7-415
	11 ns	7 ns	124 mW	SN54S283	J	SN74S283	J, N	7-415
	10 ns	16 ns	76 mW	SN5483A	J, W	SN7483A	J, N	7-53
	10 ns	16 ns	76 mW	SN54283	J, W	SN74283	J, N	7-415
DUAL 1-BIT CARRY-SAVE FULL ADDERS	11 ns	11 ns	110 mW	SN54H183	J, W	SN74H183	J, N	7-287
	15 ns	15 ns	23 mW	SN54LS183	J, W	SN74LS183	J, N	7-287

## ACCUMULATORS, ARITHMETIC LOGIC UNITS, LOOK-AHEAD CARRY GENERATORS

DESCRIPTION	TYPICAL CARRY TIME	TYPICAL ADD TIME	TYP TOTAL POWER DISSIPATION	DEVICE TYPE AND PACKAGE				PAGE NO.
				-55°C to 125°C		0°C to 70°C		
				Part No.	Package	Part No.	Package	
4-BIT PARALLEL BINARY ACCUMULATORS	10 ns	20 ns	720 mW	SN54S281	J, W	SN74S281	J, N	7-410
4-BIT ARITHMETIC LOGIC UNITS/ FUNCTION GENERATORS	11 ns	20 ns	525 mW			SN74S381	N	7-484
	7 ns	11 ns	600 mW	SN54S181	J, W	SN74S181	J, N	7-271
	12.5 ns	24 ns	455 mW	SN54181	J, W	SN74181	J, N	7-271
	16 ns	24 ns	102 mW	SN54LS181	J, W	SN74LS181	J, N	7-271
LOOK-AHEAD CARRY GENERATORS	7 ns		260 mW	SN54S182	J, W	SN74S182	J, N	7-282
	13 ns		180 mW	SN54182	J, W	SN74182	J, N	

## MULTIPLIERS

DESCRIPTION	DEVICE TYPE AND PACKAGE				PAGE NO.
	-55°C to 125°C		0°C to 70°C		
	Part No.	Package	Part No.	Package	
2-BIT-BY-4-BIT PARALLEL BINARY MULTIPLIERS	SN54LS261	J, W	SN74LS261	J, N	7-380
4-BIT-BY-4-BIT PARALLEL BINARY MULTIPLIERS	SN54284, SN54285	J, W	SN74284, SN74285	J, N	7-420
	SN54S274	J	SN74S274	J, N	
7-BIT-SLICE WALLACE TREES	SN54LS275	J	SN74LS275	J, N	7-391
	SN54S275	J	SN74S275	J, N	
25-MHz 6-BIT BINARY RATE MULTIPLIERS	SN5497	J, W	SN7497	J, N	7-102
25-MHz DECADE RATE MULTIPLIERS	SN54167	J, W	SN74167	J, N	7-222

## COMPARATORS

DESCRIPTION	TYPICAL COMPARE TIME	TYP TOTAL POWER DISSIPATION	DEVICE TYPE AND PACKAGE				PAGE NO.
			-55°C to 125°C		0°C to 70°C		
			Part No.	Package	Part No.	Package	
4-BIT MAGNITUDE COMPARATORS	11.5 ns	365 mW	SN54S85	J, W	SN74S85	J, N	7-57
	21 ns	275 mW	SN5485	J, W	SN7485	J, N	
	23.5 ns	52 mW	SN54LS85	J, W	SN74LS85	J, N	
	82 ns	20 mW	SN54L85	J	SN74L85	J, N	

# MSI/LSI FUNCTIONS FUNCTIONAL INDEX/SELECTION GUIDE

## PARITY GENERATORS/CHECKERS

DESCRIPTION	TYPICAL DELAY TIME	TYP TOTAL POWER DISSIPATION	DEVICE TYPE				PAGE NO.
			-55°C to 125°C		0°C to 70°C		
			Part No.	Pin	Part No.	Pin	
9-BIT ODD/EVEN PARITY GENERATORS/CHECKERS	31 ns	80 mW	SN54LS280	J, W	SN74LS280	J, N	7-406
	13 ns	335 mW	SN54S280	J, W	SN74S280	J, N	
8-BIT ODD/EVEN PARITY GENERATORS/CHECKERS	35 ns	170 mW	SN54180	J, W	SN74180	J, N	7-269

## OTHER ARITHMETIC OPERATORS

DESCRIPTION	TYPICAL DELAY TIME	TYP TOTAL POWER DISSIPATION	DEVICE TYPE AND PACKAGE				PAGE NO.
			-55°C to 125°C		0°C to 70°C		
			Part No.	Pin	Part No.	Pin	
QUADRUPLE 2-INPUT EXCLUSIVE-OR GATES WITH TOTEM-POLE OUTPUTS	7 ns	250 mW	SN54S86	J, W	SN74S86	J, N	7-65
	10 ns	30 mW	SN54LS86	J, W	SN74LS86	J, N	7-65
	10 ns	30 mW	SN54LS386	J, W	SN74LS386	J, N	7-487
	14 ns	150 mW	SN5486	J, W	SN7486	J, N	7-65
	55 ns	15 mW	SN54L86	J, T	SN74L86	J, N	7-65
QUADRUPLE 2-INPUT EXCLUSIVE-OR GATES WITH OPEN-COLLECTOR OUTPUTS	18 ns	30 mW	SN54LS136	J, W	SN74LS136	J, N	7-131
	27 ns	150 mW	SN54136	J, W	SN74136	J, N	
QUADRUPLE 2-INPUT EXCLUSIVE-NOR GATES	18 ns	40 mW	SN54LS266	J, W	SN74LS266	J, N	7-386
QUADRUPLE EXCLUSIVE OR/NOR GATES	8 ns	325 mW	SN54S135	J, W	SN74S135	J, N	7-129
4-BIT TRUE/COMPLEMENT, ZERO/ONE ELEMENT	14 ns	270 mW	SN54H87	J, W	SN74H87	J, N	7-70

## QUAD, HEX, AND OCTAL FLIP-FLOPS

DESCRIPTION	F-F PER PKG	FREQ	POWER PER FLIP-FLOP	DATA TIMES		DEVICE TYPE AND PACKAGE				PAGE NO.
				SETUP	HOLD	-55°C to 125°C		0°C to 70°C		
				ns	ns	Part No.	Pin	Part No.	Pin	
D TYPE 3-STATE WITH ENABLE	8	50 MHz	17 mW	20†	0†	SN54LS374	J	SN74LS374	J, N	7-471
		100 MHz	56 mW	5†	2†	SN54S374	J	SN74S374	J, N	7-471
D TYPE WITH ENABLE	8	40 MHz	10.6 mW	20†	5†	SN54LS377	J	SN74LS377	J, N	7-481
	6	40 MHz	10.6 mW	20†	5†	SN54LS378	J, W	SN74LS378	J, N	7-481
	4	40 MHz	10.6 mW	20†	5†	SN54LS379	J	SN74LS379	J, N	7-481
D TYPE WITH CLEAR	8	40 MHz	39 mW	20†	5†	SN54273	J	SN74273	J, N	7-388
		40 MHz	10.6 mW	20†	5†	SN54LS273	J	SN74LS273	J, N	
	6	35 MHz	38 mW	20†	5†	SN54174	J, W	SN74174	J, N	7-253
		40 MHz	10.6 mW	20†	5†	SN54LS174	J, W	SN74LS174	J, N	
		110 MHz	75 mW	5†	3†	SN54S174	J, W	SN74S174	J, N	
	4	35 MHz	38 mW	20†	5†	SN54175	J, W	SN74175	J, N	7-253
40 MHz		10.6 mW	20†	5†	SN54LS175	J, W	SN74LS175	J, N		
110 MHz	75 mW	5†	3†	SN54S175	J, W	SN74S175	J, N			
J-K TYPE WITH SEPARATE CLOCK	4	50 MHz	75 mW	3‡	10‡	SN54276	J	SN74276	J, N	7-401
J-K TYPE WITH COMMON CLOCK	4	45 MHz	65 mW	0†	20†	SN54376	J, W	SN74376	J, N	7-479

## REGISTER FILES

DESCRIPTION	TYPICAL ADDRESS TIME	TYP READ ENABLE TIME	DATA INPUT RATE	TYP TOTAL POWER DISSIPATION	DEVICE TYPE AND PACKAGE				PAGE NO.
					-55°C to 125°C		0°C to 70°C		
					Part No.	Pin	Part No.	Pin	
EIGHT WORDS OF TWO BITS	33 ns	15 ns	20 MHz	560 mW			SN74172	J, N	7-245
FOUR WORDS OF FOUR BITS	27 ns	15 ns	20 MHz	125 mW	SN54LS170	J, W	SN74LS170	J, N	7-237
	30 ns	15 ns	20 MHz	635 mW	SN54170	J, W	SN74170	J, N	
FOUR WORDS OF FOUR BITS (3-STATE OUTPUTS)	24 ns	19 ns	20 MHz	135 mW	SN54LS670	J, W	SN74LS670	J, N	7-526

# MSI/LSI FUNCTIONS

## FUNCTIONAL INDEX/SELECTION GUIDE

### SHIFT REGISTERS

DESCRIPTION	NO. OF BITS	SHIFT FREQ	SERIAL DATA INPUT	ASYNC CLEAR	MODES			TYP TOTAL POWER DISSIPATION	DEVICE TYPE AND PACKAGE				PAGE NO.	
					←	→	HOLD		-55°C to 125°C		0°C to 70°C			
					S	R			SN	J	SN	J		N
PARALLEL-IN, PARALLEL-OUT (BIDIRECTIONAL)	8	50 MHz	D	Low	X	X	X	750 mW	SN54S299	J, W	SN74S299	J, N	7-437	
		35 MHz	D	Low	X	X	X	175 mW	SN54LS299	J	SN74LS299	J, N	7-437	
		35 MHz	D	Sync L	X	X	X	175 mW	SN54LS323	J	SN74LS323	J, N	7-443	
		25 MHz	D	Low	X	X	X	360 mW	SN54198	J, W	SN74198	J, N	7-338	
	4	70 MHz	D	Low	X	X	X	450 mW	SN54S194	J, W	SN74S194	J, N	7-316	
		25 MHz	D	Low	X	X	X	75 mW	SN54LS194A	J, W	SN74LS194A	J, N		
PARALLEL-IN, PARALLEL-OUT	8	25 MHz	J- $\bar{K}$	Low	X	X	X	360 mW	SN54199	J, W	SN74199	J, N	7-338	
		5	10 MHz	D	Low	X	X	60 mW	SN54LS96	J, W	SN74LS96	J, N	7-95	
			5 MHz	D	Low	X	X	120 mW	SN54L96	J	SN74L96	J, N		
	4	70 MHz	J- $\bar{K}$	Low	X	X	375 mW	SN54S195	J, W	SN74S195	J, N	7-324		
		30 MHz	J- $\bar{K}$	Low	X	X	195 mW	SN54195	J, W	SN74195	J, N	7-324		
		30 MHz	D	Low	X	X	75 mW	SN54LS395A	J, W	SN74LS395A	J, N	7-496		
		25 MHz	D	None	X	X	195 mW	SN5495A	J, W	SN7495A	J, N	7-89		
		25 MHz	D	Low	X	X	X	230 mW	SN54179	J, W	SN74179	J, N	7-265	
		25 MHz	D	None	X	X	X	230 mW	SN54178	J, W	SN74178	J, N	7-265	
		30 MHz	J- $\bar{K}$	Low	X	X	70 mW	SN54LS195A	J, W	SN74LS195A	J, N	7-324		
		30 MHz	D	None	X	X	65 mW	SN54LS95B	J, W	SN74LS95B	J, N	7-89		
		30 MHz	D	None	X	X	70 mW	SN54LS295B	J, W	SN74LS295B	J, N	7-429		
		3 MHz	J- $\bar{K}$	None	X	X	19 mW	SN54L99	J	SN74L99	J, N	7-109		
		3 MHz	D	None	X	X	19 mW	SN54L95	J, T	SN74L95	J, N	7-89		
		SERIAL-IN, PARALLEL-OUT	8	25 MHz	Gated D	Low	X		80 mW	SN54LS164	J, W	SN74LS164	J, N	7-206
				25 MHz	Gated D	Low	X		167 mW	SN54164	J, W	SN74164	J, N	
				12 MHz	Gated D	Low	X		84 mW	SN54L164	J, T	SN74L164	J, N	
	PARALLEL-IN, SERIAL-OUT	8	25 MHz	D	None	X	X	210 mW	SN54165	J, W	SN74165	J, N	7-212	
			35 MHz	D	None	X	X	105 mW	SN54LS165	J, W	SN74LS165	J, N	7-212	
			20 MHz	D	Low	X	X	360 mW	SN54166	J, W	SN74166	J, N	7-217	
35 MHz			D	Low	X	X	110 mW	SN54LS166	J, W	SN74LS166	J, N	7-217		
SERIAL-IN, SERIAL-OUT	4	10 MHz	D	High	X	X	175 mW	SN5494	J, W	SN7494	J, N	7-86		
		8	25 MHz	Gated D	None	X		60 mW	SN54LS91	J, W	SN74LS91	J, N	7-81	
	10 MHz		Gated D	None	X		175 mW	SN5491A	J, W	SN7491A	J, N			
	3 MHz		Gated D	None	X		17.5 mW	SN54L91	J, T	SN74L91	J, N			

\*S-R  $\equiv$  shift right, S-L  $\equiv$  shift left

### OTHER REGISTERS

DESCRIPTION	FREQ	ASYNC CLEAR	TYP TOTAL POWER DISSIPATION	DEVICE TYPE AND PACKAGE				PAGE NO.
				-55°C to 125°C		0°C to 70°C		
				SN	J	SN	J	
QUADRUPLE MULTIPLEXERS WITH STORAGE	30 MHz	None	36.5 mW	SN54LS398	J	SN74LS398	J, N	7-499
	30 MHz	None	36.5 mW	SN54LS399	J, W	SN74LS399	J, N	7-499
	25 MHz	None	65 mW	SN54LS298	J, W	SN74LS298	J, N	7-432
	25 MHz	None	195 mW	SN54298	J, W	SN74298	J, N	7-432
	3 MHz	None	25 mW	SN54L98	J	SN74L98	J, N	7-107
8-BIT UNIVERSAL SHIFT/STORAGE REGISTERS	35 MHz	Low	175 mW	SN54LS299	J	SN74LS299	J, N	7-437
	50 MHz	Low	750 mW	SN54S299	J, W	SN74S299	J, N	
QUADRUPLE BUS-BUFFER REGISTERS	25 MHz	High	250 mW	SN54173	J, W	SN74173	J, N	7-249
	50 MHz	High	85 mW	SN54LS173A	J, W	SN74LS173A	J, N	

TEXAS INSTRUMENTS  
INCORPORATED

POST OFFICE BOX 225012 • DALLAS, TEXAS 75265

# MSI/LSI FUNCTIONS FUNCTIONAL INDEX/SELECTION GUIDE

## LATCHES

DESCRIPTION	NO. OF BITS	CLEAR	OUTPUTS	TYPICAL DELAY TIME	TYP TOTAL POWER DISSIPATION	DEVICE TYPE AND PACKAGE				PAGE NO.
						-55°C to 125°C		0°C to 70°C		
						Part No.	Package	Part No.	Package	
MULTI-MODE BUFFERED	8	Low	Q	11 ns	410 mW	SN54S412	J	SN74S412	J, N	7-502
ADDRESSABLE	8	Low	Q	12 ns	300 mW	SN54259	J, W	SN74259	J, N	7-376
		Low	Q	17 ns	110 mW	SN54LS259	J, W	SN74LS259	J, N	
TRANSPARENT	8	None	Q	19 ns	120 mW	SN54LS373	J	SN74LS373	J, N	7-471
		None	Q	7 ns	525 mW	SN54S373	J	SN74S373	J, N	7-471
DUAL 4-BIT WITH INDEPENDENT ENABLE	8	Low	Q	11 ns	250 mW	SN54116	J, W	SN74116	J, N	7-115
		None	Q	15 ns	320 mW	SN54100	J, W	SN74100	J, N	7-113
DUAL 2-BIT WITH INDEPENDENT ENABLE	4	None	Q, $\bar{Q}$	15 ns	160 mW	SN5475	J, W	SN7475	J, N	7-35
		None	Q, $\bar{Q}$	30 ns	80 mW	SN54L75	J	SN74L75	J, N	7-35
		None	Q, $\bar{Q}$	11 ns	32 mW	SN54LS75	J, W	SN74LS75	J, N	7-35
		None	Q	15 ns	160 mW	SN5477	W			7-35
		None	Q	30 ns	80 mW	SN54L77	T			7-35
		None	Q	10 ns	35 mW	SN54LS77	W			7-35
QUAD $\bar{S}$ - $\bar{R}$ (SSI)	4	None	Q	12 ns	90 mW	SN54279	J, W	SN74279	J, N	6-60
		None	Q	12 ns	19 mW	SN54LS279	J, W	SN74LS279	J, N	

## VOLTAGE-CONTROLLED OSCILLATORS CLOCK GENERATOR CIRCUITS

DESCRIPTION	ENABLE INPUT	COMPLEMENTARY OUTPUTS	FREQUENCY RANGE	TYPICAL POWER DISSIPATION	DEVICE TYPE AND PACKAGE				PAGE NO.
					-55°C to 125°C		0°C to 70°C		
					Part No.	Package	Part No.	Package	
SINGLE VCO	YES	YES	1 Hz to 20 MHz	100 mW	SN54LS624	J, W	SN74LS624	J, N	7-460
	YES	YES	1 Hz to 20 MHz	100 mW	SN54LS628	J, W	SN74LS628	J, N	7-460
DUAL VCO	YES	NO	1 Hz to 60 MHz	525 mW	SN54S124	J, W	SN74S124	J, N	7-123
	NO	YES	1 Hz to 20 MHz	175 mW	SN54LS625	J, W	SN74LS625	J, N	7-460
	YES	YES	1 Hz to 20 MHz	175 mW	SN54LS626	J, W	SN74LS626	J, N	7-460
	NO	NO	1 Hz to 20 MHz	175 mW	SN54LS627	J, W	SN74LS627	J, N	7-460
DUAL PULSE SYNCHRONIZER	YES	YES	DC to 30 MHz	255 mW	SN54120	J, W	SN74120	J, N	7-118

## CODE CONVERTERS

DESCRIPTION	TYPICAL DELAY TIME PER PACKAGE LEVEL	TYPICAL TOTAL POWER DISSIPATION	DEVICE TYPE AND PACKAGE				PAGE NO.
			-55°C to 125°C		0°C to 70°C		
			Part No.	Package	Part No.	Package	
6-LINE-BCD TO 6-LINE BINARY, OR 4-LINE TO 4-LINE BCD 9's/BCD 10's CONVERTERS	25 ns	280 mW	SN54184	J, W	SN74184	J, N	7-290
6-BIT-BINARY TO 6-BIT-BCD CONVERTERS	25 ns	280 mW	SN54185A	J, W	SN74185A	J, N	7-290



# MSI/LSI FUNCTIONS

## FUNCTIONAL INDEX/SELECTION GUIDE

### PRIORITY ENCODERS/REGISTERS

DESCRIPTION	TYPICAL DELAY TIME	TYP TOTAL POWER DISSIPATION	DEVICE TYPE AND PACKAGE				PAGE NO.
			-55°C to 125°C		0°C to 70°C		
			Part No.	Package	Part No.	Package	
FULL BCD PRIORITY ENCODERS	10 ns	225 mW	SN54147	J, W	SN74147	J, N	7-151
	15 ns	60 mW	SN54LS147	J, W	SN74LS147	J, N	
CASCADABLE OCTAL PRIORITY ENCODERS	12 ns	190 mW	SN54148	J, W	SN74148	J, N	7-151
	15 ns	60 mW	SN54LS148	J, W	SN74LS148	J, N	
CASCADABLE OCTAL PRIORITY ENCODERS WITH 3-STATE OUTPUTS	16 ns	63 mW	SN54LS348	J, W	SN74LS348	J, N	7-448
4-BIT CASCADABLE PRIORITY REGISTERS	35 ns	275 mW	SN54278	J, W	SN74278	J, N	7-403

### DATA SELECTORS/MULTIPLEXERS

DESCRIPTION	TYPE OF OUTPUT	TYPICAL DELAY TIMES			TYP TOTAL POWER DISSIPATION	DEVICE TYPE AND PACKAGE				PAGE NO.
		DATA TO INV OUTPUT	DATA TO NON-INV OUTPUT	FROM ENABLE		-55°C to 125°C		0°C to 70°C		
						Part No.	Package	Part No.	Package	
16-LINE-TO-1-LINE	2-State	11 ns		18 ns	200 mW	SN54150	J, W	SN74150	J, N	7-157
DUAL 8-LINE-TO-1-LINE	3-State	10 ns		17 ns	220 mW			SN74351	N	7-451
8-LINE-TO-1-LINE	3-State	4.5 ns	8 ns	14 ns	275 mW	SN54S251	J, W	SN74S251	J, N	7-362
	3-State	17 ns	21 ns	21 ns	250 mW	SN54251	J, W	SN74251	J, N	7-362
	3-State	17 ns	21 ns	21 ns	35 mW	SN54LS251	J, W	SN74LS251	J, N	7-362
	2-State	4.5 ns	8 ns	9 ns	225 mW	SN54S151	J, W	SN74S151	J, N	7-157
	2-State	8 ns	16 ns	22 ns	145 mW	SN54151A	J, W	SN74151A	J, N	7-157
	2-State	8 ns			130 mW	SN54152A	W			7-157
	2-State	11 ns	18 ns	27 ns	30 mW	SN54LS151	J, W	SN74LS151	J, N	7-157
DUAL 4-LINE-TO-1-LINE	2-State	11 ns		18 ns	28 mW	SN54LS152	W			7-157
	3-State		12 ns	16 ns	35 mW	SN54LS253	J, W	SN74LS253	J, N	7-369
	2-State	15 ns		22 ns	31 mW	SN54LS352	J, W	SN74LS352	J, N	7-454
	3-State	12 ns		21 ns	43 mW	SN54LS353	J, W	SN74LS353	J, N	7-457
	2-State		6 ns	9.5 ns	225 mW	SN54S153	J, W	SN74S153	J, N	7-165
	2-State		14 ns	17 ns	180 mW	SN54153	J, W	SN74153	J, N	7-165
	2-State		14 ns	17 ns	31 mW	SN54LS153	J, W	SN74LS153	J, N	7-165
QUADRUPLE 2-LINE-TO-1-LINE WITH STORAGE	2-State		20 ns <sup>†</sup>		65 mW	SN54LS298	J, W	SN74LS298	J, N	7-432
	2-State		20 ns <sup>†</sup>		195 mW	SN54298	J, W	SN74298	J, N	7-432
	2-State	20 ns <sup>†</sup>	20 ns <sup>†</sup>		32 mW	SN54LS398	J	SN74LS398	J, N	7-499
	2-State	20 ns <sup>†</sup>	20 ns <sup>†</sup>		37 mW	SN54LS399	J, W	SN74LS399	J, N	7-499
	2-State		120 ns <sup>†</sup>		25 mW	SN54L98	J	SN74L98	J, N	7-107
QUADRUPLE 2-LINE-TO-1-LINE	3-State	4 ns		14 ns	280 mW	SN54S258	J, W	SN74S258	J, N	7-372
	3-State		5 ns	14 ns	320 mW	SN54S257	J, W	SN74S257	J, N	7-372
	2-State	4 ns		7 ns	195 mW	SN54S158	J, W	SN74S158	J, N	7-181
	2-State		5 ns	8 ns	250 mW	SN54S157	J, W	SN74S157	J, N	7-181
	3-State	12 ns		20 ns	60 mW	SN54LS258A	J, W	SN74LS258A	J, N	7-372
	3-State		12 ns	20 ns	60 mW	SN54LS257A	J, W	SN74LS257A	J, N	7-372
	2-State	7 ns		12 ns	24 mW	SN54LS158	J, W	SN74LS158	J, N	7-181
	2-State		9 ns	14 ns	49 mW	SN54LS157	J, W	SN74LS157	J, N	7-181
	2-State		9 ns	14 ns	150 mW	SN54157	J, W	SN74157	J, N	7-181
	2-State		18 ns	27 ns	75 mW	SN54L157	J	SN74L157	J, N	7-181

<sup>†</sup>From clock

TEXAS INSTRUMENTS  
INCORPORATED

POST OFFICE BOX 225012 • DALLAS, TEXAS 75265

# MSI/LSI FUNCTIONS FUNCTIONAL INDEX/SELECTION GUIDE

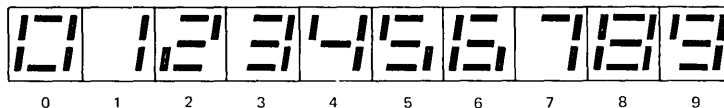
## DECODERS/DEMULTIPLXERS

DESCRIPTION	TYPE OF OUTPUT	TYPICAL SELECT TIME	TYPICAL ENABLE TIME	TYP TOTAL POWER DISSIPATION	DEVICE TYPE AND PACKAGE				PAGE NO.
					-55°C to 125°C		0°C to 70°C		
4-LINE-TO-16-LINE	Totem-Pole	23 ns	19 ns	170 mW	SN54154	J, W	SN74154	J, N	7-171
	Totem-Pole	46 ns	38 ns	85 mW	SN54L154	J	SN74L154	J, N	7-171
	Open-Collector	24 ns	19 ns	170 mW	SN54159	J, W	SN74159	J, N	7-188
4-LINE-TO-10-LINE, BCD-TO-DECIMAL	Totem-Pole	17 ns		35 mW	SN54LS42	J, W	SN54LS42	J, N	7-15
	Totem-Pole	17 ns		140 mW	SN5442A	J, W	SN7442A	J, N	
	Totem-Pole	34 ns		70 mW	SN54L42	J	SN74L42	J, N	
4-LINE-TO-10-LINE, EXCESS-3-TO-DECIMAL	Totem-Pole	17 ns		140 mW	SN5443A	J, W	SN7443A	J, N	7-15
	Totem-Pole	34 ns		70 mW	SN54L43	J	SN74L43	J, N	
4-LINE-TO-10-LINE EXCESS-3-GRAY-TO-DECIMAL	Totem-Pole	17 ns		140 mW	SN5444A	J, W	SN7444A	J, N	7-15
	Totem-Pole	34 ns		70 mW	SN54L44	J	SN74L44	J, N	
3-LINE-TO-8-LINE	Totem-Pole	8 ns	7 ns	245 mW	SN54S138	J, W	SN74S138	J, N	7-134
	Totem-Pole	22 ns	21 ns	31 mW	SN54LS138	J, W	SN74LS138	J, N	7-134
DUAL 2-LINE-TO-4-LINE	Totem-Pole	7.5 ns	6 ns	300 mW	SN54S139	J, W	SN74S139	J, N	7-134
	Totem-Pole	22 ns	19 ns	34 mW	SN54LS139	J, W	SN74LS139	J, N	7-134
	Totem-Pole	18 ns	15 ns	30 mW	SN54LS155	J, W	SN74LS155	J, N	7-175
	Totem-Pole	21 ns	16 ns	125 mW	SN54155	J, W	SN74155	J, N	7-175
	Open-Collector	23 ns	18 ns	125 mW	SN54156	J, W	SN74156	J, N	7-175
	Open-Collector	33 ns	26 ns	31 mW	SN54LS156	J, W	SN74LS156	J, N	7-175

## OPEN-COLLECTOR DISPLAY DECODERS/DRIVERS WITH COUNTERS/LATCHES

DESCRIPTION	OUTPUT SINK CURRENT	OFF-STATE OUTPUT VOLTAGE	TYP TOTAL POWER DISSIPATION	BLANKING	DEVICE TYPE AND PACKAGE			PAGE NO.	
					-55°C to 125°C		0°C to 70°C		
BCD COUNTER/ 4-BIT LATCH/ BCD-TO-DECIMAL DECODER/DRIVER	7 mA	55 V	340 mW				SN74142	J, N	7-140
BCD COUNTER/ 4-BIT LATCH/ BCD-TO-SEVEN- SEGMENT DECODER/ LED DRIVER	Constant Current 15 mA	7 V	280 mW	Ripple	SN54143	J, W	SN74143	J, N	7-143
BCD COUNTER/ 4-BIT LATCH/ BCD-TO-SEVEN- SEGMENT DECODER/ LAMP DRIVER	20 mA 25 mA	15 V 15 V	280 mW 280 mW	Ripple Ripple	SN54144	J, W	SN74144	J, N	7-143

## RESULTANT DISPLAYS USING '143, '144



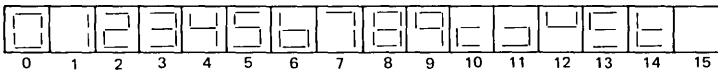
# MSI/LSI FUNCTIONS

## FUNCTIONAL INDEX/SELECTION GUIDE

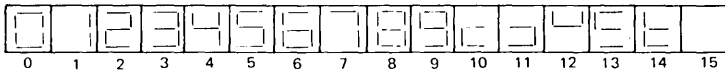
### OPEN-COLLECTOR DISPLAY DECODERS/DRIVERS

DESCRIPTION	OUTPUT SINK CURRENT	OFF-STATE OUTPUT VOLTAGE	TYP TOTAL POWER DISSIPATION	BLANKING	DEVICE TYPE AND PACKAGE				PAGE NO.
					-55°C to 125°C		0°C to 70°C		
BCD-TO-DECIMAL DECODERS/DRIVERS	80 mA	30 V	215 mW	Invalid Codes	SN54445	J, W	SN74445	J, N	7-20
	80 mA	15 V	35 mW	Invalid Codes			SN74LS145	J, N	7-148
	12 mA	15 V	35 mW	Invalid Codes	SN54LS145	J, W			7-148
	80 mA	15 V	215 mW	Invalid Codes	SN54145	J, W	SN74145	J, N	7-148
	7 mA	60 V	80 mW	Invalid Codes			SN74141	J, N	7-138
BCD-TO- SEVEN-SEGMENT DECODERS/DRIVERS	40 mA	30 V	320 mW	Ripple	SN5446A	J, W	SN7446A	J, N	7-22
	40 mA	30 V	320 mW	Ripple	SN54246	J, W	SN74246	J, N	7-22
	40 mA	15 V	320 mW	Ripple	SN5447A	J, W	SN7447A	J, N	7-22
	40 mA	15 V	320 mW	Ripple	SN54247	J, W	SN74247	J, N	7-351
	24 mA	15 V	35 mW	Ripple			SN74LS47	J, N	7-22
	24 mA	15 V	35 mW	Ripple			SN74LS247	J, N	7-351
	12 mA	15 V	35 mW	Ripple	SN54LS47	J, W			7-22
	12 mA	15 V	35 mW	Ripple	SN54LS247	J, W			7-351
	20 mA	30 V	133 mW	Ripple	SN54L46	J	SN74L46	J, N	7-22
	20 mA	15 V	133 mW	Ripple	SN54L47	J	SN74L47	J, N	7-22
	6.4 mA	5.5 V	265 mW	Ripple	SN5448	J, W	SN7448	J, N	7-22
	6.4 mA	5.5 V	265 mW	Ripple	SN54248	J, W	SN74248	J, N	7-351
	6 mA	5.5 V	125 mW	Ripple			SN74LS48	J, N	7-22
	6 mA	5.5 V	125 mW	Ripple			SN74LS248	J, N	7-351
	2 mA	5.5 V	125 mW	Ripple	SN54LS48	J, W			7-22
	2 mA	5.5 V	125 mW	Ripple	SN54LS248	J, W			7-351
	10 mA	5.5 V	165 mW	Direct	SN5449	W			7-22
	10 mA	5.5 V	265 mW	Direct	SN54249	J, W	SN74249	J, N	7-351
	8 mA	5.5 V	40 mW	Direct			SN74LS249	J, N	7-351
	8 mA	5.5 V	40 mW	Direct			SN74LS49	J, N	7-22
4 mA	5.5 V	40 mW	Direct	SN54LS49	J, W			7-22	
4 mA	5.5 V	40 mW	Direct	SN54LS249	J, W			7-351	

RESULTANT DISPLAYS USING '46A, '47A, '48, '49, 'L46, 'L47, 'LS47, 'LS48, 'LS49



RESULTANT DISPLAYS USING '246, '247, '248, '249, 'LS247, 'LS248, 'LS249



# MSI/LSI FUNCTIONS FUNCTIONAL INDEX/SELECTION GUIDE

## BUS TRANSCEIVERS AND DRIVERS

DESCRIPTION	TYPICAL PROPAGATION DELAY TIMES	MAXIMUM SOURCE CURRENT	MAXIMUM SINK CURRENT	DEVICE TYPE AND PACKAGE				PAGE NO.
				-55°C to 125°C		0°C to 70°C		
CONTROLLER AND BUS DRIVER FOR 8080A SYSTEMS		-1 mA	10 mA			SN74S428	N	7-514
		-1 mA	10 mA			SN74S438	N	
OCTAL BUS TRANSCEIVERS	8 ns	-12 mA	12 mA	SN54LS245	J	SN74LS245	J, N	7-349
4-BIT BUS TRANSCEIVERS WITH STORAGE	10 ns	-6.5 mA	20 mA	SN54S226	J, W	SN74S226	J, N	7-345

## ASYNCHRONOUS COUNTERS (RIPPLE CLOCK)—NEGATIVE-EDGE TRIGGERED

DESCRIPTION	COUNT FREQ	PARALLEL LOAD	CLEAR	TYP TOTAL POWER DISSIPATION	DEVICE TYPE AND PACKAGE				PAGE NO.
					-55°C to 125°C		0°C to 70°C		
DECADE	50 MHz	Yes	Low	240 mW	SN54196	J, W	SN74196	J, N	7-331
	100 MHz	Yes	Low	375 mW	SN54S196	J, W	SN74S196	J, N	7-331
	35 MHz	Yes	Low	150 mW	SN54176	J, W	SN74176	J, N	7-259
	32 MHz	Set-to-9	High	40 mW	SN54LS90	J, W	SN74LS90	J, N	7-72
	32 MHz	Set-to-9	High	40 mW	SN54LS290	J, W	SN74LS290	J, N	7-423
	32 MHz	Set-to-9	High	160 mW	SN5490A	J, W	SN7490A	J, N	7-72
	32 MHz	Set-to-9	High	160 mW	SN54290	J, W	SN74290	J, N	7-423
	30 MHz	Yes	Low	60 mW	SN54LS196	J, W	SN74LS196	J, N	7-331
	3 MHz	Set-to-9	High	20 mW	SN54L90	J, T	SN74L90	J, N	7-72
4-BIT BINARY	50 MHz	Yes	Low	240 mW	SN54197	J, W	SN74197	J, N	7-331
	100 MHz	Yes	Low	375 mW	SN54S197	J, W	SN74S197	J, N	7-331
	35 MHz	Yes	Low	150 mW	SN54177	J, W	SN74177	J, N	7-259
	32 MHz	None	High	39 mW	SN54LS93	J, W	SN74LS93	J, N	7-72
	32 MHz	None	High	39 mW	SN54LS293	J, W	SN74LS293	J, N	7-423
	32 MHz	None	High	160 mW	SN5493A	J, W	SN7493A	J, N	7-72
	32 MHz	None	High	160 mW	SN54293	J, W	SN74293	J, N	7-423
	30 MHz	Yes	Low	60 mW	SN54LS197	J, W	SN74LS197	J, N	7-331
	3 MHz	None	High	20 mW	SN54L93	J, T	SN74L93	J, N	7-72
DIVIDE-BY-12	32 MHz	None	High	39 mW	SN54LS92	J, W	SN74LS92	J, N	7-72
	32 MHz	None	High	160 mW	SN5492A	J, W	SN7492A	J, N	
DUAL DECADE	25 MHz	None	High	210 mW	SN54390	J, W	SN74390	J, N	7-489
	35 MHz	None	High	75 mW	SN54LS390	J, W	SN74LS390	J, N	7-489
	25 MHz	Set-to-9	High	225 mW	SN54490	J, W	SN74490	J, N	7-520
	35 MHz	Set-to-9	High	75 mW	SN54LS490	J, W	SN74LS490	J, N	7-520
DUAL 4-BIT BINARY	25 MHz	None	High	190 mW	SN54393	J, W	SN74393	J, N	7-489
	35 MHz	None	High	75 mW	SN54LS393	J, W	SN74LS393	J, N	7-489

7

# MSI/LSI FUNCTIONS FUNCTIONAL INDEX/SELECTION GUIDE

## SYNCHRONOUS COUNTERS—POSITIVE-EDGE TRIGGERED

DESCRIPTION	COUNT FREQ	PARALLEL LOAD	CLEAR	TYP TOTAL POWER DISSIPATION	DEVICE TYPE AND PACKAGE				PAGE NO.
					-55°C to 125°C		0°C to 70°C		
					Part No.	Package	Part No.	Package	
DECADE	40 MHz	Sync	Sync-L	475 mW	SN54S162	J, W	SN74S162	J, N	7-190
	25 MHz	Sync	Sync-L	93 mW	SN54LS162A	J, W	SN74LS162A	J, N	
	25 MHz	Sync	Async-L	93 mW	SN54LS160A	J, W	SN74LS160A	J, N	
	25 MHz	Sync	Sync-L	305 mW	SN54162	J, W	SN74162	J, N	
DECADE UP/DOWN	25 MHz	Sync	Async-L	305 mW	SN54160	J, W	SN74160	J, N	7-226
	40 MHz	Sync	None	500 mW	SN54S168	J, W	SN74S168	J, N	
	25 MHz	Async	Async-H	85 mW	SN54LS192	J, W	SN74LS192	J, N	
	25 MHz	Async	Async-H	325 mW	SN54192	J, W	SN74192	J, N	
	20 MHz	Async	None	100 mW	SN54LS190	J, W	SN74LS190	J, N	
DECADE RATE MULTIPLIER, $\frac{1}{N_{10}}$	20 MHz	Async	None	325 mW	SN54190	J, W	SN74190	J, N	7-296
	3 MHz	Async	Async-H	42 mW	SN54L192	J	SN74L192	J, N	7-306
4-BIT BINARY	25 MHz	Set-to-9	Async-H	270 mW	SN54167	J, W	SN74167	J, N	7-222
	40 MHz	Sync	Sync-L	475 mW	SN54S163	J, W	SN74S163	J, N	7-190
	25 MHz	Sync	Sync-L	93 mW	SN54LS163A	J, W	SN74LS163A	J, N	
	25 MHz	Sync	Async-L	93 mW	SN54LS161A	J, W	SN74LS161A	J, N	
	25 MHz	Sync	Sync-L	305 mW	SN54163	J, W	SN74163	J, N	
25 MHz	Sync	Async-L	305 mW	SN54161	J, W	SN74161	J, N		
4-BIT BINARY UP/DOWN	40 MHz	Sync	None	500 mW	SN54S169	J, W	SN74S169	J, N	7-226
	25 MHz	Sync	None	100 mW	SN54LS169A	J, W	SN74LS169A	J, N	7-226
	25 MHz	Async	Async-H	85 mW	SN54LS193	J, W	SN74LS193	J, N	7-306
	25 MHz	Async	Async-H	325 mW	SN54193	J, W	SN74193	J, N	7-306
	20 MHz	Async	None	90 mW	SN54LS191	J, W	SN74LS191	J, N	7-296
	20 MHz	Async	None	325 mW	SN54191	J, W	SN74191	J, N	7-296
	3 MHz	Async	Async-H	42 mW	SN54L193	J	SN74L193	J, N	7-306
6-BIT BINARY RATE MULTIPLIER, $\frac{1}{N_2}$	25 MHz		Async-H	345 mW	SN5497	J, W	SN7497	J, N	7-102

## BIPOLAR BIT-SLICE PROCESSOR ELEMENTS†

DESCRIPTION	CASCADABLE TO N-BITS	TYPICAL $\mu$ -OPERATION TIME	TECHNOLOGY	DEVICE TYPE AND PACKAGE			
				-55°C to 125°C		0°C to 70°C	
				Part No.	Package	Part No.	
4-BIT SLICE	Yes	100 ns	STTL			SN74S481	J, N
	Yes	120 ns	STTL			SN74LS481	J, N

## FIRST-IN FIRST-OUT MEMORIES (FIFO)†

DESCRIPTION	TYPE OF OUTPUT	DELAY TIME FROM CLOCK	TYP TOTAL POWER DISSIPATION	DEVICE TYPE AND PACKAGE			
				-55°C to 125°C		0°C to 70°C	
				Part No.	Package	Part No.	
ASYNCHRONOUS 16 X 5	3-State	50 ns	400 mW			SN74S225	J

† See Bipolar Microcomputer Components Data Book, LCC4440.

# MSI/LSI FUNCTIONS FUNCTIONAL INDEX/SELECTION GUIDE

## RANDOM-ACCESS READ-WRITE MEMORIES (RAM'S)

DESCRIPTION	ORGANIZATION	TYPE OF OUTPUT	TYPICAL ADDRESS TIME	TYPICAL ENABLE TIME	TYP POWER DISSIPATION PER BIT	DEVICE TYPE AND PACKAGE				PAGE NO.
						-55°C to 125°C		0°C to 70°C		
						Part No.	Package	Part No.	Package	
1024-BIT ARRAYS WITH POWER-DOWN	1024 X 1	3-State	65 ns	20 ns	0.2/0.07 mW	SN54LS215	JD	SN74LS215	JD, N	†
	1024 X 1	O-C	65 ns	20 ns	0.2/0.07 mW	SN54LS315	JD	SN74LS315	JD, N	†
1024-BIT ARRAYS	1024 X 1	3-State	65 ns	20 ns	0.2 mW	SN54LS214	JD	SN74LS214	JD, N	†
	1024 X 1	3-State	30 ns	15 ns	0.51 mW	SN54S214	JD	SN74S214	JD, N	†
	1024 X 1	O-C	65 ns	20 ns	0.2 mW	SN54LS314	JD	SN74LS314	JD, N	†
	1024 X 1	O-C	30 ns	15 ns	0.51 mW	SN54S314	JD	SN74S314	JD, N	†
	256 X 4	3-State	60 ns	20 ns	0.3 mW	SN54LS207	J	SN74LS207	J, N	†
	256 X 4	3-State	40 ns	15 ns	0.59 mW	SN54S207	J	SN74S207	J, N	†
	256 X 4	3-State	60 ns	20 ns	0.3 mW	SN54LS208	J	SN74LS208	J, N	†
	256 X 4	3-State	40 ns	15 ns	0.59 mW	SN54S208	J	SN74S208	J, N	†
256-BIT ARRAYS WITH POWER-DOWN	256 X 1	3-State	35 ns	15 ns	1.1/0.39 mW	SN54LS202	J, W	SN74LS202	J, N	†
	256 X 1	O-C	35 ns	15 ns	1.1/0.39 mW	SN54LS302	J, W	SN74LS302	J, N	†
256-BIT ARRAYS	256 X 1	3-State	35 ns	15 ns	1.1 mW	SN54LS200A	J, W	SN74LS200A	J, N	†
	256 X 1	3-State	25 ns	15 ns	1.9 mW	SN54S200A	J, W	SN74S200A	J, N	†
	256 X 1	3-State	42 ns	17 ns	1.9 mW	SN54S201	J, W	SN74S201	J, N	†
	256 X 1	O-C	35 ns	15 ns	1.1 mW	SN54LS300A	J, W	SN74LS300A	J, N	†
	256 X 1	O-C	25 ns	15 ns	1.9 mW	SN54S300A	J, W	SN74S300A	J, N	†
	256 X 1	O-C	42 ns	13 ns	1.9 mW	SN54S301	J, W	SN74S301	J, N	†
64-BIT ARRAYS	16 X 4	3-State	25 ns	12 ns	5.9 mW	SN54S189	J, W	SN74S189	J, N	†
	16 X 4	O-C	25 ns	12 ns	5.9 mW	SN54S289	J, W	SN74S289	J, N	†
	16 X 4	O-C	32 ns	30 ns	5.9 mW			SN7489	J, N	†
16-BIT ARRAYS	16 X 1	O-C	15 ns	15 ns	14 mW	SN5481A	J, W	SN7481A	J, N	†
	16 X 1	O-C	15 ns	15 ns	14 mW	SN5484A	J, W	SN7484A	J, N	†
16-BIT MULTIPLE-PORT REGISTER FILE	8 X 2	3-State	33 ns	15 ns	35 mW			SN74172	J, N	7-245
16-BIT REGISTER FILE	4 X 4	O-C	27 ns	15 ns	7.8 mW	SN54LS170	J, W	SN74LS170	J, N	7-237
	4 X 4	O-C	30 ns	15 ns	40 mW	SN54170	J, W	SN74170	J, N	7-237
	4 X 4	3-State	24 ns	19 ns	9.3 mW	SN54LS670	J, W	SN74LS670	J, N	7-526

## READ-ONLY MEMORIES (ROM'S)†

DESCRIPTION	ORGANIZATION	TYPE OF OUTPUT	TYPICAL ADDRESS TIME	TYPICAL ENABLE TIME	TYP POWER DISSIPATION PER BIT	DEVICE TYPE AND PACKAGE			
						-55°C to 125°C		0°C to 70°C	
						Part No.	Package	Part No.	Package
2048-BIT ARRAYS	512 X 4	O-C	45 ns	15 ns	0.26 mW	SN54S270	J	SN74S270	J, N
	256 X 8	O-C	45 ns	15 ns	0.26 mW	SN54S271	J	SN74S271	J, N
	512 X 4	3-State	45 ns	15 ns	0.26 mW	SN54S370	J	SN74S370	J, N
	256 X 8	3-State	45 ns	15 ns	0.26 mW	SN54S371	J	SN74S371	J, N
1024-BIT ARRAYS	256 X 4	O-C	40 ns	20 ns	0.46 mW	SN54187	J, W	SN74187	J, N
256-BIT ARRAYS	32 X 8	O-C	26 ns	22 ns	1.1 mW	SN5488A	J, W	SN7488A	J, N

†See Bipolar Microcomputer Components Data Book, LCC4270.

# MSI/LSI FUNCTIONS

## FUNCTIONAL INDEX/SELECTION GUIDE

### PROGRAMMABLE READ-ONLY MEMORIES (PROM'S)<sup>†</sup>

DESCRIPTION	ORGANIZATION	TYPE OF OUTPUT	TYPICAL ADDRESS TIME	TYPICAL ENABLE TIME	TYP POWER DISSIPATION PER BIT	DEVICE TYPE AND PACKAGE			
						-55°C to 125°C		0°C to 70°C	
						Part No.	Package	Part No.	Package
4096-BIT ARRAYS	512 X 8	3-State	55 ns	20 ns	0.14 mW	SN54S472	J	SN74S472	J, N
	512 X 8	O-C	55 ns	20 ns	0.14 mW	SN54S473	J	SN74S473	J, N
	512 X 8	3-State	55 ns	20 ns	0.14 mW	SN54S474	J, W	SN74S474	J, N
	512 X 8	O-C	55 ns	20 ns	0.14 mW	SN54S475	J, W	SN74S475	J, N
2048-BIT ARRAYS	256 X 8	O-C	50 ns	20 ns	0.24 mW	SN54S470	J	SN74S470	J, N
	256 X 8	3-State	50 ns	20 ns	0.27 mW	SN54S471	J	SN74S471	J, N
1024-BIT ARRAYS	256 X 4	3-State	40 ns	15 ns	0.49 mW	SN54S287	J, W	SN74S287	J, N
	256 X 4	O-C	40 ns	15 ns	0.49 mW	SN54S387	J, W	SN74S387	J, N
512-BIT ARRAYS	64 X 8	O-C	50 ns	47 ns	0.6 mW	SN54186	J, W	SN74186	J, N
256-BIT ARRAYS	32 X 8	O-C	29 ns	28 ns	1.3 mW	SN54188A	J, W	SN74188A	J, N
	32 X 8	O-C	25 ns	12 ns	1.56 mW	SN54S188	J, W	SN74S188	J, N
	32 X 8	3-State	25 ns	12 ns	1.56 mW	SN54S288	J, W	SN74S288	J, N

### MICROPROCESSOR CONTROLLERS AND SUPPORT FUNCTIONS

DESCRIPTION	SYSTEM APPLICATION	TYP TOTAL POWER DISSIPATION	DEVICE TYPE AND PACKAGE				PAGE NO.
			-55°C to 125°C		0°C to 70°C		
			Part No.	Package	Part No.	Package	
SYSTEM CONTROLLERS	8080A	700 mW			SN74S428 (TIM8228)	N	7-514
	8080A	700 mW			SN74S438 (TIM8238)	N	7-514
	Universal	450 mW	SN54S482	J	SN74S482	J, N	†
REGISTERS	TMS 9900	110 mW	SN54LS259	J, W	SN74LS259 (TIM9906)	J, N	7-376
MULTI-MODE LATCHES	8080A	410 mW	SN54S412	J, W	SN74S412 (TIM8212)	J, N	7-502
TRANSCEIVERS AND BUS DRIVERS		625 mW	SN54S226	J, W	SN74S226	J, N	7-345
		207 mW	SN54LS245	J	SN74LS245	J, N	7-349
TRANSCEIVERS AND BUS DRIVERS (SSI)		98 mW	SN54LS240	J	SN74LS240	J, N	6-83
		450 mW	SN54S240	J	SN74S240	J, N	6-83
		100 mW	SN54LS241	J	SN74LS241	J, N	6-83
		538 mW	SN54S241	J	SN74S241	J, N	6-83
		128 mW	SN54LS242	J, W	SN74LS242	J, N	6-87
		128 mW	SN54LS243	J, W	SN74LS243	J, N	6-87
LOGIC ELEMENTS	TMS 9900	190 mW	SN54148	J, W	SN74148 (TIM9907)	J, N	7-151
	TMS 9900	35 mW	SN54LS251	J, W	SN74LS251 (TIM9905)	J, N	7-362
	TMS 9900	63 mW	SN54LS348	J, W	SN74LS348 (TIM9908)	J, N	7-448

### ERROR DETECTION AND CORRECTION CIRCUITS

DESCRIPTION	TYPE OF OUTPUTS	MEMORY OVERHEAD	ERRORS FLAGGED	ERRORS CORRECTED	DEVICE TYPE AND PACKAGE				PAGE NO.
					-55°C to 125°C		0°C to 70°C		
					Part No.	Package	Part No.	Package	
16-BIT PARALLEL	3-STATE	6 BITS	2-BIT	1-BIT	SN54LS630	J	SN74LS630	N, J	7-465
16-BIT PARALLEL	O-C	6 BITS	2-BIT	1-BIT	SN54LS631	J	SN74LS631	N, J	7-465

<sup>†</sup>See Bipolar Microcomputer Components Data Book, LCC4440.

TTL  
MSI

# TYPES SN5442A THRU SN5444A, SN54L42 THRU SN54L44, SN54LS42, SN7442A THRU SN7444A, SN74L42 THRU SN74L44, SN74LS42 4-LINE-TO-10-LINE DECODERS (1-OF-10)

BULLETIN NO. DLS 7611861, MARCH 1974—REVISED OCTOBER 1976

'42A, 'L42, 'LS42 ... BCD-TO-DECIMAL  
'43A, 'L43 ... EXCESS-3-TO-DECIMAL  
'44A, 'L44 ... EXCESS-3-GRAY-TO-DECIMAL

- All Outputs Are High for Invalid Input Conditions
- Also for Application as  
4-Line-to-16-Line Decoders  
3-Line-to-8-Line Decoders
- Diode-Clamped Inputs

SN5442A THRU SN5444A, SN54LS42 ... J OR W PACKAGE  
SN54L42 THRU SN54L44 ... J PACKAGE  
SN7442A THRU SN7444A,  
SN74L42 THRU SN74L44, SN74LS42 ... J OR N PACKAGE  
(TOP VIEW)

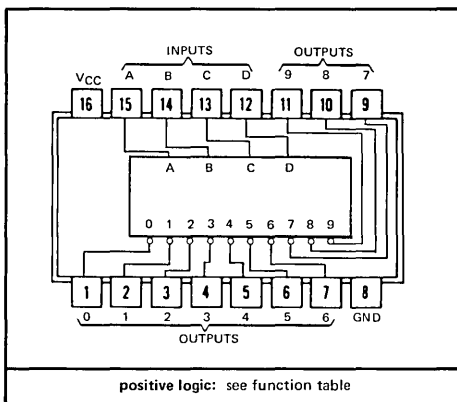
TYPES	TYPICAL POWER DISSIPATION	TYPICAL PROPAGATION DELAYS
'42A, '43A, '44A	140 mW	17 ns
'L42, 'L43, 'L44	70 mW	49 ns
'LS42	35 mW	17 ns

### description

These monolithic decimal decoders consist of eight inverters and ten four-input NAND gates. The inverters are connected in pairs to make BCD input data available for decoding by the NAND gates. Full decoding of valid input logic ensures that all outputs remain off for all invalid input conditions.

The '42A, 'L42, and 'LS42 BCD-to-decimal decoders, the '43A and 'L43 excess-3-to-decimal decoders, and the '44A and 'L44 excess-3-gray-to-decimal decoders feature inputs and outputs that are compatible for use with most TTL and other saturated low-level logic circuits. D-c noise margins are typically one volt.

Series 54, 54L, and 54LS circuits are characterized for operation over the full military temperature range of -55°C to 125°C; Series 74, 74L, and 74LS circuits are characterized for operation from 0°C to 70°C.



FUNCTION TABLE

NO.	'42A, 'L42, 'LS42 BCD INPUT				'43A, 'L43 EXCESS-3-INPUT				'44A, 'L44 EXCESS-3-GRAY INPUT				ALL TYPES DECIMAL OUTPUT										
	D	C	B	A	D	C	B	A	D	C	B	A	0	1	2	3	4	5	6	7	8	9	
0	L	L	L	L	L	L	H	H	L	L	H	H	L	L	H	H	H	H	H	H	H	H	H
1	L	L	L	H	L	H	L	L	L	H	H	L	L	H	L	H	H	H	H	H	H	H	H
2	L	L	H	L	L	H	L	H	L	H	H	H	H	H	L	H	H	H	H	H	H	H	H
3	L	L	H	H	L	H	H	L	L	H	L	L	H	H	H	L	H	H	H	H	H	H	H
4	L	H	L	L	L	H	H	H	L	H	L	L	H	H	H	L	H	H	H	H	H	H	H
5	L	H	L	H	H	L	L	L	L	H	H	L	L	H	H	H	H	L	H	H	H	H	H
6	L	H	H	L	H	L	L	H	H	H	L	H	H	H	H	H	H	L	H	H	H	H	H
7	L	H	H	H	H	L	H	L	H	H	H	H	H	H	H	H	H	H	H	L	H	H	H
8	H	L	L	L	L	L	H	H	H	H	H	L	H	H	H	H	H	H	H	L	L	H	H
9	H	L	L	H	H	H	L	L	L	H	L	H	L	H	H	H	H	H	H	H	H	L	L
INVALID	H	L	H	L	H	H	L	H	H	H	L	H	H	H	H	H	H	H	H	H	H	H	H
	H	L	H	H	H	H	L	L	L	H	L	L	L	H	H	H	H	H	H	H	H	H	H
	H	H	L	L	L	H	H	H	H	L	L	L	L	H	H	H	H	H	H	H	H	H	H
	H	H	L	H	L	L	L	L	L	L	L	L	L	H	H	H	H	H	H	H	H	H	H
	H	H	H	L	L	L	L	H	L	L	L	L	H	H	H	H	H	H	H	H	H	H	H

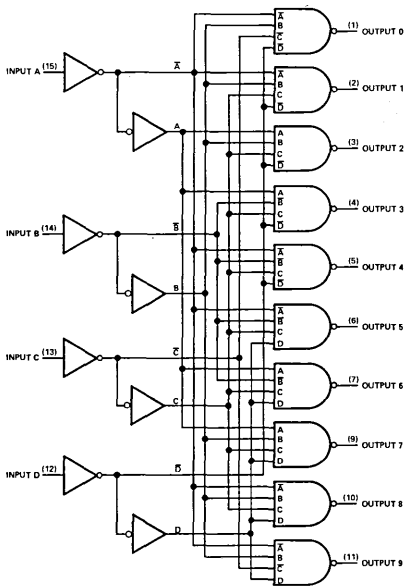
H = high level, L = low level



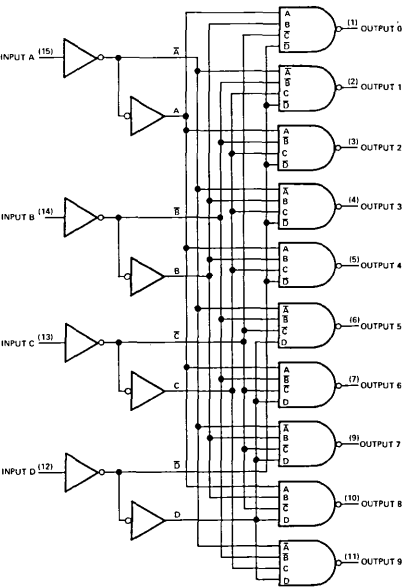
TYPES SN5442A THRU SN5444A, SN54L42 THRU SN54L44,  
 SN54LS42, SN7442A THRU SN7444A, SN74L42 THRU SN74L44, SN74LS42  
 4-LINE-TO-10-LINE DECODERS (1-OF-10)

REVISED OCTOBER 1976

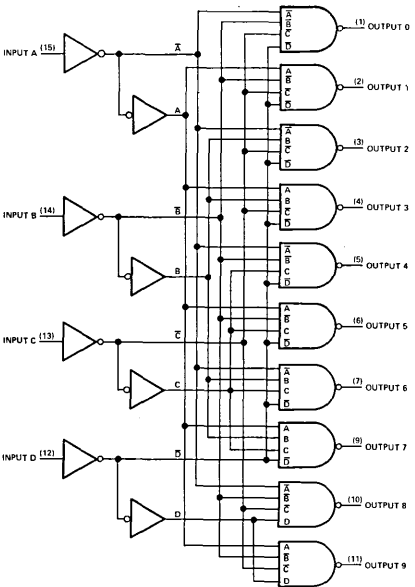
functional block diagrams and schematics of inputs and outputs



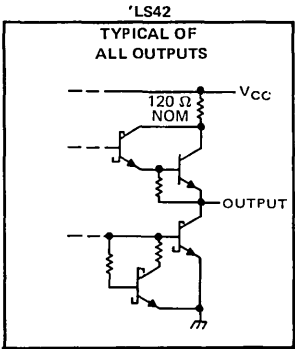
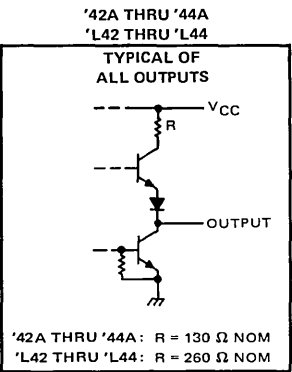
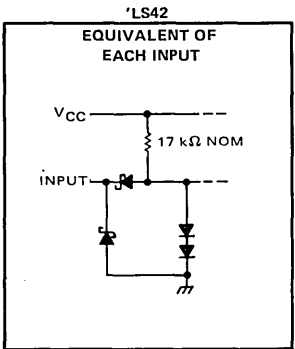
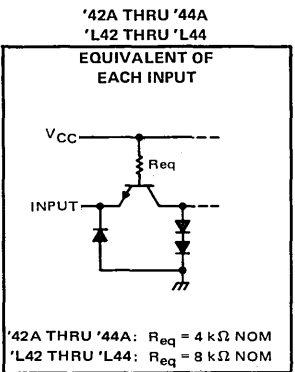
'44A, 'L44  
 EXCESS-3-GRAY-TO-DECIMAL DECODERS



'43A, 'L43  
 EXCESS-3-TO-DECIMAL DECODERS



'42A, 'L42, 'LS42  
 BCD-TO-DECIMAL DECODERS



# TYPES SN5442A, SN5443A, SN5444A, SN7442A, SN7443A, SN7444A

## 4-LINE-TO-10-LINE DECODERS (1-OF-10)

absolute maximum ratings over operating free-air temperature range (unless otherwise noted)

Supply voltage, $V_{CC}$ (see Note 1)	7 V
Input voltage	5.5 V
Operating free-air temperature range: SN54' Circuits	-55°C to 125°C
SN74' Circuits	0°C to 70°C
Storage temperature range	-65°C to 150°C

NOTE 1: Voltage values are with respect to network ground terminal.

recommended operating conditions

	SN5442A SN5443A SN5444A			SN7442A SN7443A SN7444A			UNIT
	MIN	NOM	MAX	MIN	NOM	MAX	
Supply voltage, $V_{CC}$	4.5	5	5.5	4.75	5	5.25	V
High-level output current, $I_{OH}$			-800			800	$\mu$ A
Low-level output current, $I_{OL}$			16			16	mA
Operating free-air temperature, $T_A$	-55		125	0		70	°C

electrical characteristics over recommended operating free-air temperature range (unless otherwise noted)

PARAMETER	TEST CONDITIONS†	SN5442A SN5443A SN5444A			SN7442A SN7443A SN7444A			UNIT
		MIN	TYP‡	MAX	MIN	TYP‡	MAX	
$V_{IH}$ High-level input voltage		2			2			V
$V_{IL}$ Low-level input voltage				0.8			0.8	V
$V_{IK}$ Input clamp voltage	$V_{CC} = \text{MIN}, I_I = -12 \text{ mA}$			-1.5			-1.5	V
$V_{OH}$ High-level output voltage	$V_{CC} = \text{MIN}, V_{IH} = 2 \text{ V}, V_{IL} = 0.8 \text{ V}, I_{OH} = -800 \mu\text{A}$	2.4	3.4		2.4	3.4		V
$V_{OL}$ Low-level output voltage	$V_{CC} = \text{MIN}, V_{IH} = 2 \text{ V}, V_{IL} = 0.8 \text{ V}, I_{OL} = 16 \text{ mA}$		0.2	0.4		0.2	0.4	V
$I_I$ Input current at maximum input voltage	$V_{CC} = \text{MAX}, V_I = 5.5 \text{ V}$			1			1	mA
$I_{IH}$ High-level input current	$V_{CC} = \text{MAX}, V_I = 2.4 \text{ V}$			40			40	$\mu$ A
$I_{IL}$ Low level input current	$V_{CC} = \text{MAX}, V_I = 0.4 \text{ V}$			-1.6			-1.6	mA
$I_{OS}$ Short-circuit output current §	$V_{CC} = \text{MAX}$	-20		-55	-18		-55	mA
$I_{CC}$ Supply current	$V_{CC} = \text{MAX},$ See Note 2		28	41		28	56	mA

† For conditions shown as MIN or MAX, use the appropriate values specified under recommended operating conditions.

‡ All typical values are at  $V_{CC} = 5 \text{ V}, T_A = 25^\circ\text{C}$ .

§ Not more than one output should be shorted at a time.

NOTE 2:  $I_{CC}$  is measured with all outputs open and all inputs grounded.

switching characteristics,  $V_{CC} = 5 \text{ V}, T_A = 25^\circ\text{C}$

PARAMETER	TEST CONDITIONS	MIN	TYP	MAX	UNIT
$t_{PHL}$ Propagation delay time, high-to-low-level output from A, B, C, or D through 2 levels of logic	$C_L = 15 \text{ pF}, R_L = 400 \Omega,$ See Note 3		14	25	ns
$t_{PHL}$ Propagation delay time, high-to-low-level output from A, B, C, or D through 3 levels of logic			17	30	ns
$t_{PLH}$ Propagation delay time, low-to-high-level output from A, B, C, and D through 2 levels of logic			10	25	ns
$t_{PLH}$ Propagation delay time, low-to-high-level output from A, B, C, and D through 3 levels of logic			17	30	ns

NOTE 3: Load circuits and waveforms are shown on page 3-10.

# TYPES SN54L42, SN54L43, SN54L44, SN74L42, SN74L43, SN74L44

## 4-LINE-TO-10-LINE DECODERS (1-OF-10)

absolute maximum ratings over operating free-air temperature range (unless otherwise noted)

Supply voltage, $V_{CC}$ (see Note 1)	7 V
Input voltage	5.5 V
Operating free-air temperature range: SN54L' Circuits	-55°C to 125°C
SN74L' Circuits	0°C to 70°C
Storage temperature range	-65°C to 150°C

NOTE 1: Voltage values are with respect to network ground terminal.

### recommended operating conditions

	SN54L42 SN54L43 SN54L44			SN74L42 SN74L43 SN74L44			UNIT
	MIN	NOM	MAX	MIN	NOM	MAX	
Supply voltage, $V_{CC}$	4.5	5	5.5	4.75	5	5.25	V
High-level output current, $I_{OH}$	-400			-400			$\mu$ A
Low-level output current, $I_{OL}$	8			8			mA
Operating free-air temperature, $T_A$	-55			0			70 °C

electrical characteristics over recommended operating free-air temperature range (unless otherwise noted)

PARAMETER	TEST CONDITIONS <sup>†</sup>	MIN	TYP <sup>‡</sup>	MAX	UNIT
$V_{IH}$ High-level input voltage		2			V
$V_{IL}$ Low-level input voltage			0.8		V
$V_{IK}$ Input clamp voltage	$V_{CC} = \text{MIN}, I_I = -12 \text{ mA}$			-1.5	V
$V_{OH}$ High-level output voltage	$V_{CC} = \text{MIN}, V_{IH} = 2 \text{ V}, V_{IL} = 0.8 \text{ V}, I_{OH} = -400 \mu\text{A}$	2.4	3.4		V
$V_{OL}$ Low-level output voltage	$V_{CC} = \text{MIN}, V_{IH} = 2 \text{ V}, V_{IL} = 0.8 \text{ V}, I_{OL} = 8 \text{ mA}$		0.2	0.4	V
$I_I$ Input current at maximum input voltage	$V_{CC} = \text{MAX}, V_I = 5.5 \text{ V}$			1	mA
$I_{IH}$ High-level input current	$V_{CC} = \text{MAX}, V_I = 2.4 \text{ V}$			20	$\mu$ A
$I_{IL}$ Low-level input current	$V_{CC} = \text{MAX}, V_I = 0.4 \text{ V}$			-0.8	mA
$I_{OS}$ Short-circuit output current <sup>§</sup>	$V_{CC} = \text{MAX}$			-9	mA
$I_{CC}$ Supply Current	$V_{CC} = \text{MAX},$ See Note 2	SN54L'	14	22	mA
		SN74L'	14	28	

<sup>†</sup>For conditions shown as MIN or MAX, use the appropriate values specified under recommended operating conditions.

<sup>‡</sup>All typical values are at  $V_{CC} = 5 \text{ V}, T_A = 25^\circ \text{C}$ .

<sup>§</sup>Not more than one output should be shorted at a time.

NOTE 2:  $I_{CC}$  is measured with all outputs open and inputs grounded.

### switching characteristics, $V_{CC} = 5 \text{ V}, T_A = 25^\circ \text{C}$

PARAMETER	TEST CONDITIONS	MIN	TYP	MAX	UNIT
$t_{PHL}$ Propagation delay time, high-to-low-level output from A, B, C, or D through 2 levels of logic	$C_L = 15 \text{ pF}, R_L = 800 \Omega,$ See Note 3	10	44	60	ns
$t_{PHL}$ Propagation delay time, high-to-low-level output from A, B, C, or D through 3 levels of logic		46	70	ns	
$t_{PLH}$ Propagation delay time, low-to-high-level output from A, B, C, and D through 2 levels of logic		10	34	50	ns
$t_{PLH}$ Propagation delay time, low-to-high-level output from A, B, C, and D through 3 levels of logic		52	70	ns	

NOTE 3: Load circuit and voltage waveforms are shown on page 3-10.

# TYPES SN54LS42, SN74LS42

## 4-LINE-TO-10-LINE DECODERS (1-OF-10)

REVISED OCTOBER 1976

absolute maximum ratings over operating free-air temperature range (unless otherwise noted)

Supply voltage, $V_{CC}$ (see Note 1)	7 V
Input voltage	7 V
Operating free-air temperature range: SN54LS42	-55°C to 125°C
SN74LS42	0°C to 70°C
Storage temperature range	-65°C to 150°C

NOTE 1: Voltage values are with respect to network ground terminal.

recommended operating conditions

	SN54LS42			SN74LS42			UNIT
	MIN	NOM	MAX	MIN	NOM	MAX	
Supply voltage, $V_{CC}$	4.5	5	5.5	4.75	5	5.25	V
High-level output current, $I_{OH}$	-400			-400			$\mu$ A
Low-level output current, $I_{OL}$	4			8			mA
Operating free-air temperature, $T_A$	-55			125			0 70 °C

electrical characteristics over recommended operating free-air temperature range (unless otherwise noted)

PARAMETER	TEST CONDITIONS†	SN54LS42			SN74LS42			UNIT
		MIN	TYP‡	MAX	MIN	TYP‡	MAX	
$V_{IH}$ High-level input voltage		2			2			V
$V_{IL}$ Low-level input voltage		0.7			0.8			V
$V_{IK}$ Input clamp voltage	$V_{CC} = \text{MIN}, I_I = -18 \text{ mA}$	-1.5			-1.5			V
$V_{OH}$ High-level output voltage	$V_{CC} = \text{MIN}, V_{IH} = 2 \text{ V}, V_{IL} = V_{IL \text{ max}}, I_{OH} = -400 \mu\text{A}$	2.5	3.5		2.7	3.5		V
$V_{OL}$ Low-level output voltage	$V_{CC} = \text{MIN}, V_{IH} = 2 \text{ V}, V_{IL} = V_{IL \text{ max}}, I_{OL} = 4 \text{ mA}$ $I_{OL} = 8 \text{ mA}$		0.25	0.4		0.25	0.4	V
$I_I$ Input current at maximum input voltage	$V_{CC} = \text{MAX}, V_I = 7 \text{ V}$	0.1			0.1			mA
$I_{IH}$ High-level input current	$V_{CC} = \text{MAX}, V_I = 2.7 \text{ V}$	20			20			$\mu$ A
$I_{IL}$ Low-level input current	$V_{CC} = \text{MAX}, V_I = 0.4 \text{ V}$	-0.4			-0.4			mA
$I_{OS}$ Short-circuit output current§	$V_{CC} = \text{MAX}$	-20	-100		-20	-100		mA
$I_{CC}$ Supply current	$V_{CC} = \text{MAX},$ See Note 2		7	13		7	13	mA

†For conditions shown as MIN or MAX, use the appropriate value specified under recommended operating conditions.

‡All typical values are at  $V_{CC} = 5 \text{ V}, T_A = 25^\circ\text{C}$ .

§Not more than one output should be shorted at a time, and duration of the short-circuit should not exceed one second.

NOTE 2:  $I_{CC}$  is measured with all outputs open and inputs grounded.

switching characteristics,  $V_{CC} = 5 \text{ V}, T_A = 25^\circ\text{C}$

PARAMETER	TEST CONDITIONS	MIN	TYP	MAX	UNIT
$t_{PHL}$ Propagation delay time, high-to-low-level output from A, B, C, or D through 2 levels of logic	$C_L = 15 \text{ pF}, R_L = 2 \text{ k}\Omega,$ See Note 4		15	25	ns
$t_{PHL}$ Propagation delay time, high-to-low-level output from A, B, C, or D through 3 levels of logic			20	30	ns
$t_{PLH}$ Propagation delay time, low-to-high-level output from A, B, C, and D through 2 levels of logic			15	25	ns
$t_{PLH}$ Propagation delay time, low-to-high-level output from A, B, C, and D through 3 levels of logic			20	30	ns

NOTE 4: Load circuit and voltage waveforms are shown on page 3-11.

**TTL  
MSI**

**TYPES SN5445, SN7445  
BCD-TO-DECIMAL DECODERS/DRIVERS**

BULLETIN NO. DL-S 7211816, DECEMBER 1972

FOR USE AS LAMP, RELAY, OR MOS DRIVERS

featuring

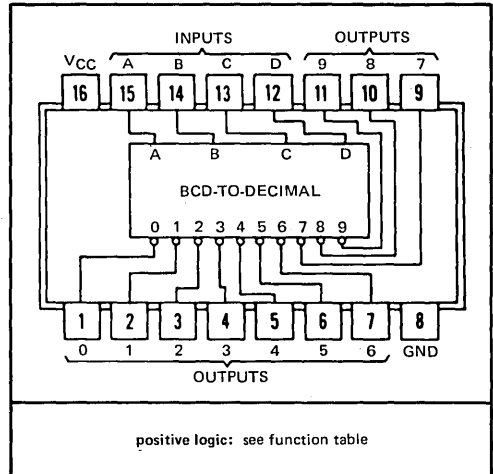
- Full Decoding of Input Logic
- 80-mA Sink-Current Capability
- All Outputs Are Off for Invalid BCD Input Conditions

SN5445 . . . J OR W PACKAGE  
SN7445 . . . J OR N PACKAGE  
(TOP VIEW)

logic

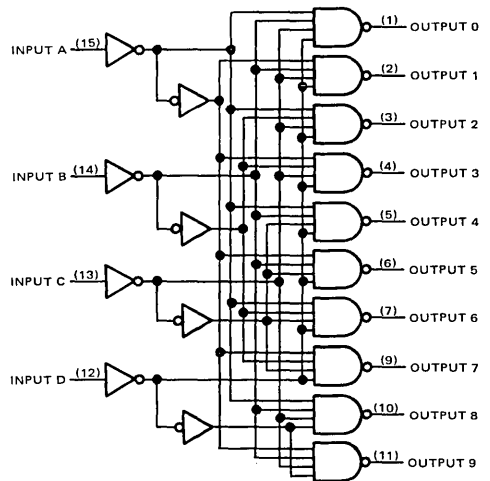
FUNCTION TABLE

NO.	INPUTS				OUTPUTS										
	D	C	B	A	0	1	2	3	4	5	6	7	8	9	
0	L	L	L	L	L	H	H	H	H	H	H	H	H	H	H
1	L	L	L	H	H	L	H	H	H	H	H	H	H	H	H
2	L	L	H	L	H	H	L	H	H	H	H	H	H	H	H
3	L	L	H	H	H	H	H	L	H	H	H	H	H	H	H
4	L	H	L	L	H	H	H	H	L	H	H	H	H	H	H
5	L	H	L	H	H	H	H	H	H	L	H	H	H	H	H
6	L	H	H	L	H	H	H	H	H	H	L	H	H	H	H
7	L	H	H	H	H	H	H	H	H	H	H	L	H	H	H
8	H	L	L	L	H	H	H	H	H	H	H	H	L	H	H
9	H	L	L	H	H	H	H	H	H	H	H	H	H	L	H
INVALID	H	L	H	L	H	H	H	H	H	H	H	H	H	H	H
	H	L	H	H	H	H	H	H	H	H	H	H	H	H	H
	H	H	L	L	H	H	H	H	H	H	H	H	H	H	H
	H	H	L	H	H	H	H	H	H	H	H	H	H	H	H
	H	H	H	L	H	H	H	H	H	H	H	H	H	H	H



positive logic: see function table

functional block diagram



H = high level (off), L = low level (on)

description

These monolithic BCD-to-decimal decoders/drivers consist of eight inverters and ten four-input NAND gates. The inverters are connected in pairs to make BCD input data available for decoding by the NAND gates. Full decoding of valid BCD input logic ensures that all outputs remain off for all invalid binary input conditions. These decoders feature TTL inputs and high-performance, n-p-n output transistors designed for use as indicator/relay drivers or as open-collector logic-circuit drivers. Each of the high-breakdown output transistors (30 volts) will sink up to 80 milliamperes of current. Each input is one normalized Series 54/74 load. Inputs and outputs are entirely compatible for use with TTL or DTL logic circuits, and the outputs are compatible for interfacing with most MOS integrated circuits. Power dissipation is typically 215 milliwatts.

7

# TYPES SN5445, SN7445 BCD-TO-DECIMAL DECODERS/DRIVERS

REVISED OCTOBER 1976

## absolute maximum ratings over operating free-air temperature range (unless otherwise noted)

Supply voltage, $V_{CC}$ (see Note 1)	7 V
Input voltage	5.5 V
Maximum current into any output (off-state)	1 mA
Operating free-air temperature range: SN5445 Circuits	-55°C to 125°C
SN7445 Circuits	0°C to 70°C
Storage temperature range	-65°C to 150°C

NOTE 1: Voltage values are with respect to network ground terminal.

## recommended operating conditions

	SN5445			SN7445			UNIT
	MIN	NOM	MAX	MIN	NOM	MAX	
Supply voltage, $V_{CC}$	4.5	5	5.5	4.75	5	5.25	V
Off-state output voltage	30			30			V
Operating free-air temperature, $T_A$	-55			125			°C

## electrical characteristics over recommended operating free-air temperature range (unless otherwise noted)

PARAMETER	TEST CONDITIONS <sup>†</sup>	MIN	TYP <sup>‡</sup>	MAX	UNIT
$V_{IH}$ High-level input voltage		2			V
$V_{IL}$ Low-level input voltage		0.8			V
$V_{IK}$ Input clamp voltage	$V_{CC} = \text{MIN}, I_I = -12 \text{ mA}$	-1.5			V
$V_{O(on)}$ On-state output voltage	$V_{CC} = \text{MIN}, V_{IH} = 2 \text{ V}, V_{IL} = 0.8 \text{ V}$	$I_{O(on)} = 80 \text{ mA}$		0.5	V
		$I_{O(on)} = 20 \text{ mA}$		0.4	
$I_{O(off)}$ Off-state output current	$V_{CC} = \text{MIN}, V_{IH} = 2 \text{ V}, V_{IL} = 0.8 \text{ V}, V_{O(off)} = 30 \text{ V}$	250			$\mu\text{A}$
$I_I$ Input current at maximum input voltage	$V_{CC} = \text{MAX}, V_I = 5.5 \text{ V}$	1			mA
$I_{IH}$ High-level input current	$V_{CC} = \text{MAX}, V_I = 2.4 \text{ V}$	40			$\mu\text{A}$
$I_{IL}$ Low-level input current	$V_{CC} = \text{MAX}, V_I = 0.4 \text{ V}$	-1.6			mA
$I_{CC}$ Supply current	$V_{CC} = \text{MAX},$ See Note 2	SN5445		43	mA
		SN7445		62	
		SN5445		43	70
		SN7445		62	70

<sup>†</sup>For conditions shown as MIN or MAX, use the appropriate value specified under recommended operating conditions for the applicable type.

<sup>‡</sup>All typical values are at  $V_{CC} = 5 \text{ V}, T_A = 25^\circ\text{C}$ .

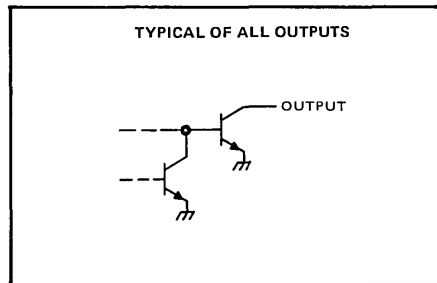
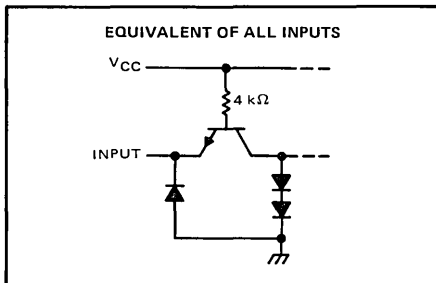
NOTE 2:  $I_{CC}$  is measured with all inputs grounded and outputs open.

## switching characteristics, $V_{CC} = 5 \text{ V}, T_A = 25^\circ\text{C}$

PARAMETER	TEST CONDITIONS	MIN	TYP	MAX	UNIT
$t_{PLH}$ Propagation delay time, low-to-high-level output	$C_L = 15 \text{ pF}, R_L = 100 \Omega,$ See Note 3	50			ns
$t_{PHL}$ Propagation delay time, high-to-low-level output		50			ns

NOTE 3: Load circuit and waveforms are shown on page 3-10.

## schematics of inputs and outputs



# TYPES SN5446A, '47A, '48, '49, SN54L46, 'L47, SN54LS47, 'LS48, 'LS49, SN7446A, '47A, '48, SN74L46, 'L47, SN74LS47, 'LS48, 'LS49 BCD-TO-SEVEN-SEGMENT DECODERS/DRIVERS

BULLETIN NO. DL-S 7611811, MARCH 1974—REVISED OCTOBER 1976

'46A, '47A, 'L46, 'L47, 'LS47  
feature

'48, 'LS48  
feature

'49, 'LS49  
feature

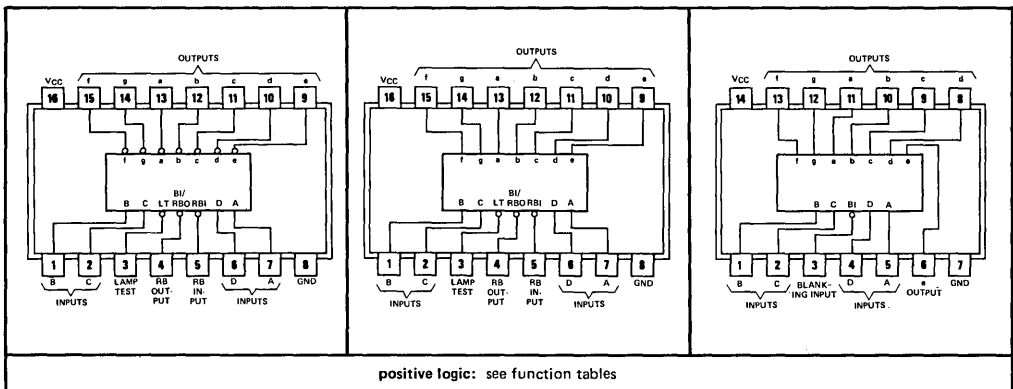
- Open-Collector Outputs Drive Indicators Directly
- Lamp-Test Provision
- Leading/Trailing Zero Suppression
- All Circuit Types Feature Lamp Intensity Modulation Capability
- Internal Pull-Ups Eliminate Need for External Resistors
- Lamp-Test Provision
- Leading/Trailing Zero Suppression
- Open-Collector Outputs
- Blanking Input

TYPE	DRIVER OUTPUTS				TYPICAL POWER DISSIPATION	PACKAGES
	ACTIVE LEVEL	OUTPUT CONFIGURATION	SINK CURRENT	MAX VOLTAGE		
SN5446A	low	open-collector	40 mA	30 V	320 mW	J, W
SN5447A	low	open-collector	40 mA	15 V	320 mW	J, W
SN5448	high	2-k $\Omega$ pull-up	6.4 mA	5.5 V	265 mW	J, W
SN5449	high	open-collector	10 mA	5.5 V	165 mW	W
SN54L46	low	open-collector	20 mA	30 V	160 mW	J
SN54L47	low	open-collector	20 mA	15 V	160 mW	J
SN54LS47	low	open-collector	12 mA	15 V	35 mW	J, W
SN54LS48	high	2-k $\Omega$ pull-up	2 mA	5.5 V	125 mW	J, W
SN54LS49	high	open-collector	4 mA	5.5 V	40 mW	J, W
SN7446A	low	open-collector	40 mA	30 V	320 mW	J, N
SN7447A	low	open-collector	40 mA	15 V	320 mW	J, N
SN7448	high	2-k $\Omega$ pull-up	6.4 mA	5.5 V	265 mW	J, N
SN74L46	low	open-collector	20 mA	30 V	160 mW	J, N
SN74L47	low	open-collector	20 mA	15 V	160 mW	J, N
SN74LS47	low	open-collector	24 mA	15 V	35 mW	J, N
SN74LS48	high	2-k $\Omega$ pull-up	6 mA	5.5 V	125 mW	J, N
SN74LS49	high	open-collector	8 mA	5.5 V	40 mW	J, N

'46A, '47A, 'L46, 'L47, 'LS47  
(TOP VIEW)

'48, 'LS48  
(TOP VIEW)

'49, 'LS49  
(TOP VIEW)



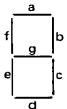
# TYPES SN5446A, '47A, '48, '49, SN54L46, 'L47, SN54LS47, 'LS48, 'LS49, SN7446A, '47A, '48, SN74L46, 'L47, SN74LS47, 'LS48, 'LS49 BCD-TO-SEVEN-SEGMENT DECODERS/DRIVERS

## description

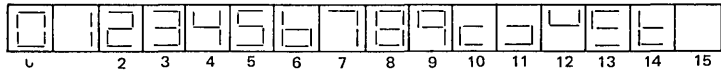
The '46A, 'L46, '47A, 'L47, and 'LS47 feature active-low outputs designed for driving common-anode VLEDs or incandescent indicators directly, and the '48, '49, 'LS48, 'LS49 feature active-high outputs for driving lamp buffers or common-cathode VLEDs. All of the circuits except '49 and 'LS49 have full ripple-blanking input/output controls and a lamp test input. The '49 and 'LS49 circuits incorporate a direct blanking input. Segment identification and resultant displays are shown below. Display patterns for BCD input counts above 9 are unique symbols to authenticate input conditions.

The '46A, '47A, '48, 'L46, 'L47, 'LS47, and 'LS48 circuits incorporate automatic leading and/or trailing-edge zero-blanking control (RBI and RBO). Lamp test (LT) of these types may be performed at any time when the BI/RBO zero is at a high level. All types (including the '49 and 'LS49) contain an overriding blanking input (BI) which can be used to control the lamp intensity by pulsing or to inhibit the outputs. Inputs and outputs are entirely compatible for use with TTL or DTL logic outputs.

The SN54246/SN74246 through '249 and the SN54LS247/SN74LS247 through 'LS249 compose the  $\bar{E}$  and the  $\bar{G}$  with tails and have been designed to offer the designer a choice between two indicator fonts. The SN54249/SN74249 and SN54LS249/SN74LS249 are 16-pin versions of the 14-pin SN5449 and 'LS49. Included in the '249 circuit and 'LS249 circuits are the full functional capability for lamp test and ripple blanking, which is not available in the '49 or 'LS49 circuit.



SEGMENT IDENTIFICATION



NUMERICAL DESIGNATIONS AND RESULTANT DISPLAYS

'46A, '47A, 'L46, 'L47, 'LS47 FUNCTION TABLE

DECIMAL OR FUNCTION	INPUTS						BI/RBO <sup>†</sup>	OUTPUTS							NOTE
	LT	RBI	D	C	B	A		a	b	c	d	e	f	g	
0	H	H	L	L	L	L	H	ON	ON	ON	ON	ON	ON	OFF	OFF
1	H	X	L	L	L	H	H	OFF	ON	ON	OFF	ON	OFF	OFF	OFF
2	H	X	L	L	H	L	H	ON	ON	OFF	ON	ON	OFF	ON	ON
3	H	X	L	L	H	H	H	ON	ON	ON	ON	OFF	OFF	ON	ON
4	H	X	L	H	L	L	H	OFF	ON	ON	OFF	OFF	ON	ON	ON
5	H	X	L	H	L	H	H	ON	OFF	ON	ON	OFF	ON	ON	ON
6	H	X	L	H	H	L	H	OFF	OFF	ON	ON	ON	ON	ON	ON
7	H	X	L	H	H	H	H	ON	ON	ON	OFF	OFF	OFF	OFF	OFF
8	H	X	H	L	L	L	H	ON	ON	ON	ON	ON	ON	ON	ON
9	H	X	H	L	L	H	H	ON	ON	ON	ON	OFF	OFF	ON	ON
10	H	X	H	L	H	L	H	OFF	OFF	OFF	ON	ON	OFF	ON	ON
11	H	X	H	L	H	H	H	OFF	OFF	ON	ON	OFF	OFF	ON	ON
12	H	X	H	H	L	L	H	OFF	ON	OFF	OFF	OFF	OFF	ON	ON
13	H	X	H	H	L	H	H	ON	OFF	OFF	ON	ON	OFF	ON	ON
14	H	X	H	H	H	L	H	OFF	OFF	OFF	ON	ON	ON	ON	ON
15	H	X	H	H	H	H	H	OFF	OFF	OFF	OFF	OFF	OFF	OFF	OFF
BI	X	X	X	X	X	X	L	OFF	OFF	OFF	OFF	OFF	OFF	OFF	2
RBI	H	L	L	L	L	L	L	OFF	OFF	OFF	OFF	OFF	OFF	OFF	3
LT	L	X	X	X	X	X	H	ON	ON	ON	ON	ON	ON	ON	4

H = high level, L = low level, X = irrelevant

- NOTES: 1. The blanking input (BI) must be open or held at a high logic level when output functions 0 through 15 are desired. The ripple-blanking input (RBI) must be open or high if blanking of a decimal zero is not desired.  
 2. When a low logic level is applied directly to the blanking input (BI), all segment outputs are off regardless of the level of any other input.  
 3. When ripple-blanking input (RBI) and inputs A, B, C, and D are at a low level with the lamp test input high, all segment outputs go off and the ripple-blanking output (RBO) goes to a low level (response condition).  
 4. When the blanking input/ripple blanking output (BI/RBO) is open or held high and a low is applied to the lamp-test input, all segment outputs are on.

<sup>†</sup>BI/RBO is wire-AND logic serving as blanking input (BI) and/or ripple-blanking output (RBO).

7



# TYPES SN5446A, '47A, '48, '49, SN54L46, 'L47, SN54LS47, 'LS48, 'LS49, SN7446A, '47A, '48, SN74L46, 'L47, SN74LS47, 'LS48, 'LS49 BCD-TO-SEVEN-SEGMENT DECODERS/DRIVERS

'48, 'LS48  
FUNCTION TABLE

DECIMAL OR FUNCTION	INPUTS					BI/RBO†	OUTPUTS							NOTE	
	LT	RBI	D	C	B		A	a	b	c	d	e	f		g
0	H	H	L	L	L	L	H	H	H	H	H	H	L	L	1
1	H	X	L	L	L	H	H	L	H	H	L	L	L	L	
2	H	X	L	L	H	L	H	H	H	L	H	L	L	H	
3	H	X	L	L	H	H	H	H	H	H	L	L	L	H	
4	H	X	L	H	L	L	H	L	H	H	L	L	H	H	
5	H	X	L	H	L	H	H	H	L	H	H	L	H	H	
6	H	X	L	H	H	L	H	L	L	H	H	H	H	H	
7	H	X	L	H	H	H	H	H	H	H	L	L	L	L	
8	H	X	H	L	L	L	H	H	H	H	H	H	H	H	
9	H	X	H	L	L	H	H	H	H	H	L	L	H	H	
10	H	X	H	L	H	L	H	L	L	L	H	L	L	H	
11	H	X	H	L	H	H	H	L	L	H	H	L	L	H	
12	H	X	H	H	L	L	H	L	H	L	L	L	H	H	
13	H	X	H	H	L	H	H	H	L	L	H	L	H	H	
14	H	X	H	H	H	L	H	L	L	L	H	H	H	H	
15	H	X	H	H	H	H	H	L	L	L	L	L	L	L	
BI	X	X	X	X	X	X	L	L	L	L	L	L	L	L	2
RBI	H	L	L	L	L	L	L	L	L	L	L	L	L	L	3
LT	H	X	X	X	X	X	H	H	H	H	H	H	H	H	4

H = high level, L = low level, X = irrelevant

- NOTES: 1. The blanking input (BI) must be open or held at a high logic level when output functions 0 through 15 are desired. The ripple-blanking input (RBI) must be open or high, if blanking of a decimal zero is not desired.  
 2. When a low logic level is applied directly to the blanking input (BI), all segment outputs are low regardless of the level of any other input.  
 3. When ripple-blanking input (RBI) and inputs A, B, C, and D are at a low level with the lamp-test input high, all segment outputs go low and the ripple-blanking output (RBO) goes to a low level (response condition).  
 4. When the blanking input/ripple-blanking output (BI/RBO) is open or held high and a low is applied to the lamp-test input, all segment outputs are high.

†BI/RBO is wire-AND logic serving as blanking input (BI) and/or ripple-blanking output (RBO).

'49, 'LS49  
FUNCTION TABLE

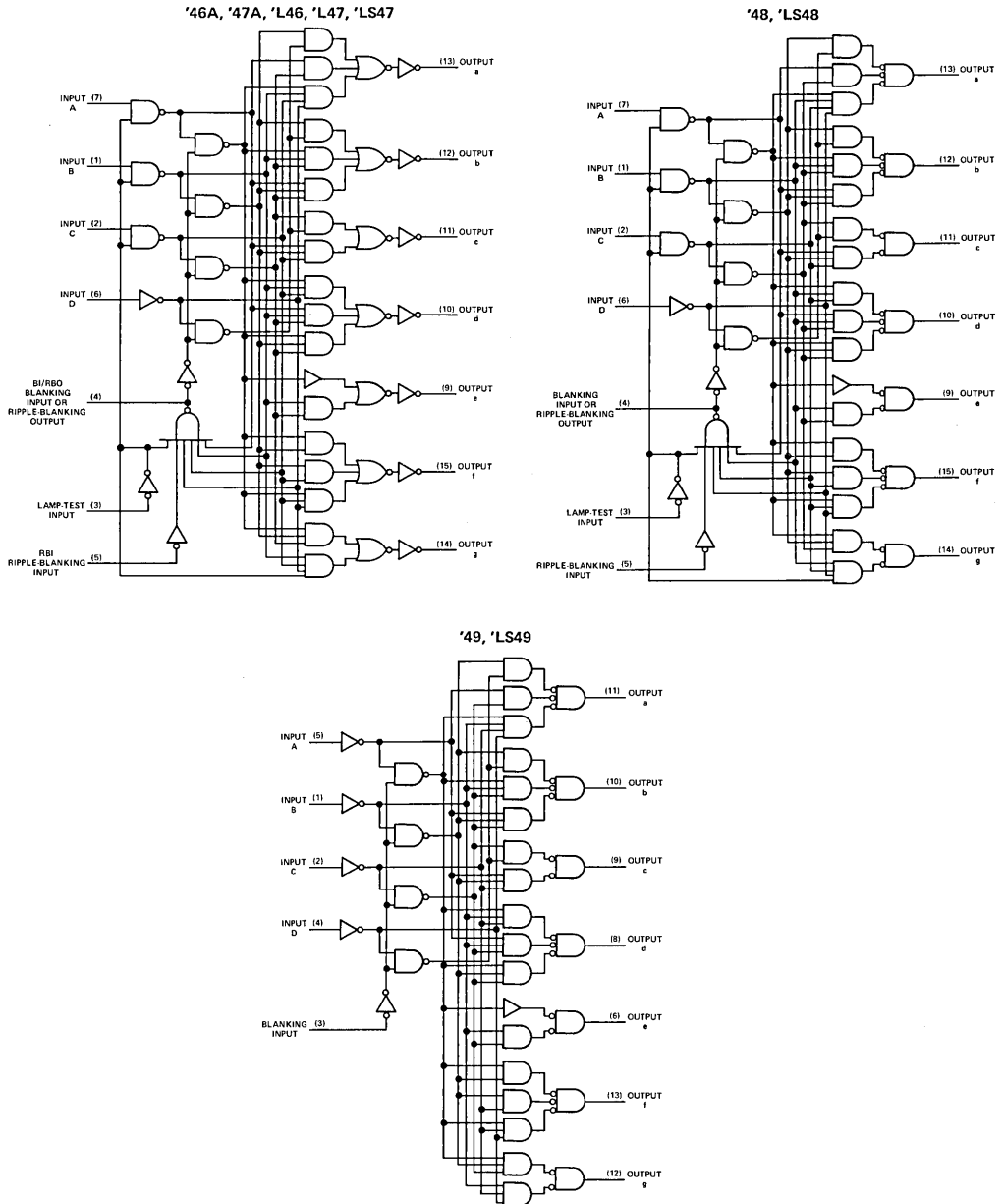
DECIMAL OR FUNCTION	INPUTS					BI	OUTPUTS							NOTE
	D	C	B	A	a		b	c	d	e	f	g		
0	L	L	L	L	H	H	H	H	H	H	L	L	L	1
1	L	L	L	H	H	L	H	H	L	L	L	L	L	
2	L	L	H	L	H	H	H	L	H	H	L	L	H	
3	L	L	H	H	H	H	H	H	H	L	L	L	H	
4	L	H	L	L	H	L	H	H	L	L	H	H	H	
5	L	H	L	H	H	H	L	H	H	L	H	H	H	
6	L	H	H	L	H	L	L	H	H	H	H	H	H	
7	L	H	H	H	H	H	H	H	L	L	L	L	L	
8	H	L	L	L	H	H	H	H	H	H	H	H	H	
9	H	L	L	H	H	H	H	H	L	L	H	H	H	
10	H	L	H	L	H	L	L	L	H	H	L	L	H	
11	H	L	H	H	H	L	L	H	H	L	L	L	H	
12	H	H	L	L	H	L	H	L	L	L	L	H	H	
13	H	H	L	H	H	H	L	L	L	H	L	H	H	
14	H	H	H	L	H	L	L	L	H	H	H	H	H	
15	H	H	H	H	H	L	L	L	L	L	L	L	L	
BI	X	X	X	X	X	L	L	L	L	L	L	L	L	2

H = high level, L = low level, X = irrelevant

- NOTES: 1. The blanking input (BI) must be open or held at a high logic level when output functions 0 through 15 are desired.  
 2. When a low logic level is applied directly to the blanking input (BI), all segment outputs are low regardless of the level of any other input.

# TYPES SN5446A, '47A, '48, '49, SN54L46, 'L47, SN54LS47, 'LS48, 'LS49, SN7446A, '47A, '48, SN74L46, 'L47, SN74LS47, 'LS48, 'LS49 BCD-TO-SEVEN-SEGMENT DECODERS/DRIVERS

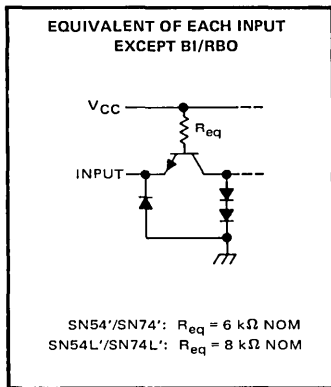
## functional block diagrams



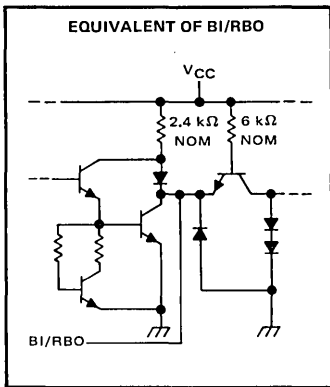
# TYPES SN5446A, '47A, '48, '49, SN54L46, 'L47, SN7446A, '47A, '48, SN74L46, 'L47 BCD-TO-SEVEN-SEGMENT DECODERS/DRIVERS

schematics of inputs and outputs

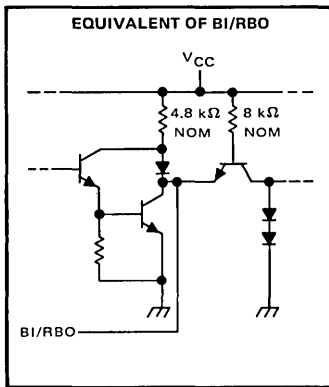
'46A, '47A, '48, '49, 'L46, 'L47



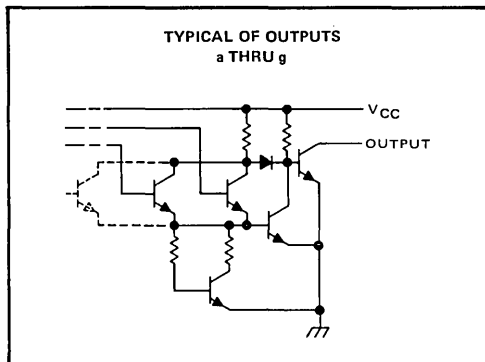
'46A, '47A, '48



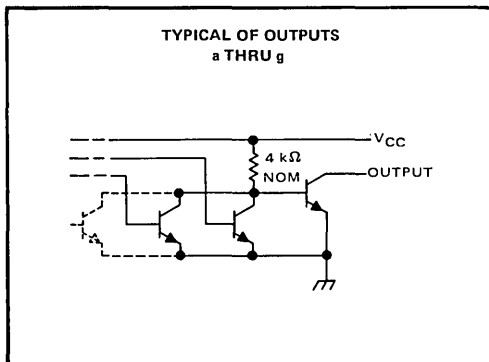
'L46, 'L47



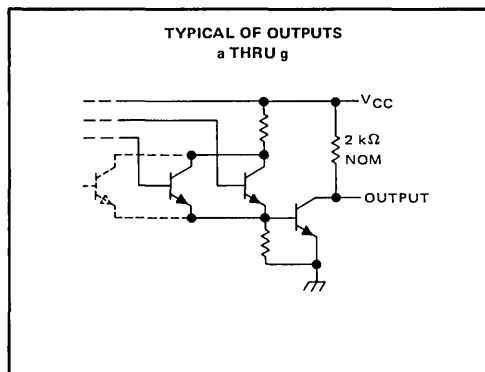
'46A, '47A



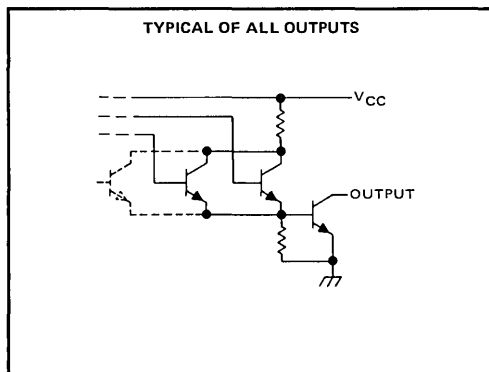
'L46, 'L47



'48



'49

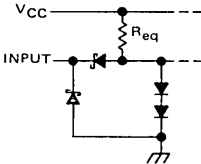


# TYPES .SN54LS47, 'LS48, 'LS49, SN74LS47, 'LS48, 'LS49 BCD-TO-SEVEN-SEGMENT DECODERS/DRIVERS

## schematics of inputs and outputs

'LS47, 'LS48, 'LS49

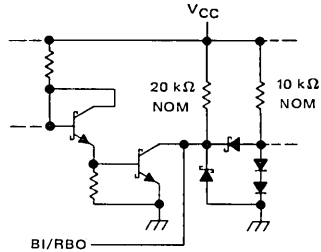
EQUIVALENT OF EACH INPUT  
EXCEPT BI/RBO



LT and RBI ('LS47, 'LS49):  $R_{eq} = 20\text{ k}\Omega$  NOM  
 BI ('LS49):  $R_{eq} = 20\text{ k}\Omega$  NOM  
 A, B, C, and D:  $R_{eq} = 25\text{ k}\Omega$  NOM

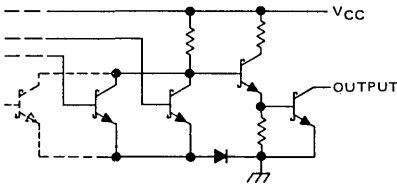
'LS47, 'LS48, 'LS49

EQUIVALENT OF BI/RBO



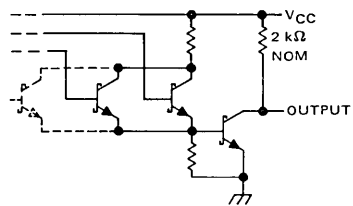
'LS47

TYPICAL OF OUTPUTS  
a THRU g



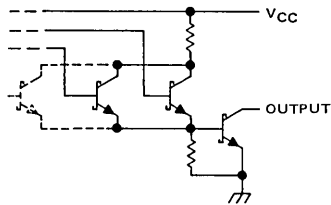
'LS48

TYPICAL OF OUTPUTS  
a THRU g



'LS49

TYPICAL OF OUTPUTS  
a THRU g



# TYPES SN5446A, SN5447A, SN7446A, SN7447A

## BCD-TO-SEVEN-SEGMENT DECODERS/DRIVERS

absolute maximum ratings over operating free-air temperature range (unless otherwise noted)

Supply voltage, $V_{CC}$ (see Note 1)	7 V
Input voltage	5.5 V
Current forced into any output in the off state	1 mA
Operating free-air temperature range: SN5446A, SN5447A	-55°C to 125°C
SN7446A, SN7447A	0°C to 70°C
Storage temperature range	-65°C to 150°C

NOTE 1: Voltage values are with respect to network ground terminal.

recommended operating conditions

	SN5446A			SN5447A			SN7446A			SN7447A			UNIT		
	MIN	NOM	MAX	MIN	NOM	MAX	MIN	NOM	MAX	MIN	NOM	MAX			
Supply voltage, $V_{CC}$	4.5	5	5.5	4.5	5	5.5	4.75	5	5.25	4.75	5	5.25	V		
Off-state output voltage, $V_{O(off)}$	a thru g			30			15			30			15	V	
On-state output current, $I_{O(on)}$	a thru g			40			40			40			40	mA	
High-level output current, $I_{OH}$	BI/RBO			-200			-200			-200			-200	$\mu$ A	
Low-level output current, $I_{OL}$	BI/RBO			8			8			8			8	mA	
Operating free-air temperature, $T_A$	-55			125			-55			125			0	70	°C

electrical characteristics over recommended operating free-air temperature range (unless otherwise noted)

PARAMETER			TEST CONDITIONS†		MIN	TYP‡	MAX	UNIT
$V_{IH}$	High-level input voltage				2			V
$V_{IL}$	Low-level input voltage						0.8	V
$V_{IK}$	Input clamp voltage		$V_{CC} = \text{MIN}, I_I = -12 \text{ mA}$				-1.5	V
$V_{OH}$	High-level output voltage	BI/RBO	$V_{CC} = \text{MIN}, V_{IH} = 2 \text{ V}, V_{IL} = 0.8 \text{ V}, I_{OH} = -200 \mu\text{A}$		2.4	3.7		V
$V_{OL}$	Low-level output voltage	BI/RBO	$V_{CC} = \text{MIN}, V_{IH} = 2 \text{ V}, V_{IL} = 0.8 \text{ V}, I_{OL} = 8 \text{ mA}$		0.27		0.4	V
$I_{O(off)}$	Off-state output current	a thru g	$V_{CC} = \text{MAX}, V_{IH} = 2 \text{ V}, V_{IL} = 0.8 \text{ V}, V_{O(off)} = \text{MAX}$				250	$\mu$ A
$V_{O(on)}$	On-state output voltage	a thru g	$V_{CC} = \text{MIN}, V_{IH} = 2 \text{ V}, V_{IL} = 0.8 \text{ V}, I_{O(on)} = 40 \text{ mA}$		0.3		0.4	V
$I_I$	Input current at maximum input voltage	Any input except BI/RBO	$V_{CC} = \text{MAX}, V_I = 5.5 \text{ V}$				1	mA
$I_{IH}$	High-level input current	Any input except BI/RBO	$V_{CC} = \text{MAX}, V_I = 2.4 \text{ V}$				40	$\mu$ A
$I_{IL}$	Low-level input current	Any input except BI/RBO	$V_{CC} = \text{MAX}, V_I = 0.4 \text{ V}$				-1.6	mA
		BI/RBO					-4	
$I_{OS}$	Short-circuit output current	BI/RBO	$V_{CC} = \text{MAX}$				-4	mA
$I_{CC}$	Supply current		$V_{CC} = \text{MAX}$ ,		64		85	mA
			See Note 2		SN54'		64	
					SN74'			

† For conditions shown as MIN or MAX, use the appropriate value specified under recommended operating conditions.

‡ All typical values are at  $V_{CC} = 5 \text{ V}, T_A = 25^\circ\text{C}$ .

NOTE 2:  $I_{CC}$  is measured with all outputs open and all inputs at 4.5 V.

switching characteristics,  $V_{CC} = 5 \text{ V}, T_A = 25^\circ\text{C}$

PARAMETER		TEST CONDITIONS		MIN	TYP	MAX	UNIT
$t_{off}$	Turn-off time from A input	$C_L = 15 \text{ pF}, R_L = 120 \Omega,$ See Note 3				100	ns
$t_{on}$	Turn-on time from A input					100	
$t_{off}$	Turn-off time from RBI input					100	ns
$t_{on}$	Turn-on time from RBI input					100	

NOTE 3: Load circuit and voltage waveforms are shown on page 3-10;  $t_{off}$  corresponds to  $t_{pLH}$  and  $t_{on}$  corresponds to  $t_{pHL}$ .

# TYPES SN54L46, SN54L47, SN74L46, SN74L47

## BCD-TO-SEVEN-SEGMENT DECODERS/DRIVERS

absolute maximum ratings over operating free-air temperature range (unless otherwise noted)

Supply voltage, $V_{CC}$ (see Note 1)	7 V
Input voltage	5.5 V
Peak output current ( $t_{pw} \leq 1$ ms, duty cycle $\leq 10\%$ )	200 mA
Current forced into any output in the off state	1 mA
Operating free-air temperature range: SN54L46, SN54L47	$-55^{\circ}\text{C}$ to $125^{\circ}\text{C}$
SN74L46, SN74L47	$0^{\circ}\text{C}$ to $70^{\circ}\text{C}$
Storage temperature range	$-65^{\circ}\text{C}$ to $150^{\circ}\text{C}$

NOTE 1: Voltage values are with respect to network ground terminal.

### recommended operating conditions

	SN54L46			SN54L47			SN74L46			SN74L47			UNIT		
	MIN	NOM	MAX	MIN	NOM	MAX	MIN	NOM	MAX	MIN	NOM	MAX			
Supply voltage, $V_{CC}$	4.5	5	5.5	4.5	5	5.5	4.75	5	5.25	4.75	5	5.25	V		
Off-state output voltage, $V_{O(off)}$	a thru g			30			15			30			15	V	
On-state output current, $I_{O(on)}$	a thru g			20			20			20			20	mA	
High-level output current, $I_{OH}$	BI/RBO			-100			-100			-100			-100	$\mu\text{A}$	
Low-level output current, $I_{OL}$	BI/RBO			4			4			4			4	mA	
Operating free-air temperature, $T_A$	-55			125			-55			125			0	70	$^{\circ}\text{C}$

electrical characteristics over recommended operating free-air temperature range (unless otherwise noted)

PARAMETER		TEST CONDITIONS <sup>†</sup>	MIN	TYP <sup>‡</sup>	MAX	UNIT
$V_{IH}$	High-level input voltage			2		V
$V_{IL}$	Low-level input voltage				0.8	V
$V_{IK}$	Input clamp voltage	Any input except BI/RBO			-1.5	V
$V_{OH}$	High-level output voltage	BI/RBO		2.4	3.4	V
$V_{OL}$	Low-level output voltage	BI/RBO		0.2	0.4	V
$I_{O(off)}$	Off-state output current	a thru g			250	$\mu\text{A}$
$V_{O(on)}$	On-state output voltage	a thru g		0.3	0.4	V
$I_I$	Input current at maximum input voltage	Any input except BI/RBO			1	mA
$I_{IH}$	High-level input current	Any input except BI/RBO			20	$\mu\text{A}$
$I_{IL}$	Low-level input current	Any input except BI/RBO			-0.8	mA
		BI/RBO			-2	mA
$I_{OS}$	Short-circuit output current	BI/RBO			-2	mA
$I_{CC}$	Supply current	$V_{CC} = \text{MAX}$ , See Note 2				mA
					32	43
					32	52

<sup>†</sup>For conditions shown as MIN or MAX, use the appropriate value specified under recommended operating conditions.

<sup>‡</sup>All typical values are at  $V_{CC} = 5$  V,  $T_A = 25^{\circ}\text{C}$ .

NOTE 2:  $I_{CC}$  is measured with all outputs open and all inputs at 4.5 V.

### switching characteristics, $V_{CC} = 5$ V, $T_A = 25^{\circ}\text{C}$

PARAMETER		TEST CONDITIONS	MIN	TYP	MAX	UNIT
$t_{off}$	Turn-off time from A input	$C_L = 15$ pF, $R_L = 280$ $\Omega$ , See Note 3			200	ns
$t_{on}$	Turn-on time from A input				200	
$t_{off}$	Turn-off time from RBI input				200	ns
$t_{on}$	Turn-on time from RBI input				200	

NOTE 3: Load circuit and voltage waveforms are shown on page 3-10;  $t_{off}$  corresponds to  $t_{pLH}$  and  $t_{on}$  corresponds to  $t_{pHL}$ .

**TEXAS INSTRUMENTS**  
INCORPORATED

POST OFFICE BOX 225012 • DALLAS, TEXAS 75265

# TYPES SN54LS47, SN74LS47

## BCD-TO-SEVEN-SEGMENT DECODERS/DRIVERS

REVISED OCTOBER 1976

### absolute maximum ratings over operating free-air temperature range (unless otherwise noted)

Supply voltage, $V_{CC}$ (see Note 1)	7 V
Input voltage	7 V
Peak output current ( $t_W \leq 1$ ms, duty cycle $\leq 10\%$ )	200 mA
Current forced into any output in the off state	1 mA
Operating free-air temperature range: SN54LS47	-55°C to 125°C
SN74LS47	0°C to 70°C
Storage temperature range	-65°C to 150°C

NOTE 1: Voltage values are with respect to network ground terminal.

### recommended operating conditions

	SN54LS47			SN74LS47			UNIT
	MIN	NOM	MAX	MIN	NOM	MAX	
Supply voltage, $V_{CC}$	4.5	5	5.5	4.75	5	5.25	V
Off-state output voltage, $V_{O(off)}$	a thru g			15			V
On-state output current, $I_{O(on)}$	a thru g			12			mA
High-level output current, $I_{OH}$	BI/RBO			-50			$\mu$ A
Low-level output current, $I_{OL}$	BI/RBO			1.6			mA
Operating free-air temperature, $T_A$	-55			125			°C

### electrical characteristics over recommended operating free-air temperature range (unless otherwise noted)

PARAMETER		TEST CONDITIONS†	SN54LS47			SN74LS47			UNIT
			MIN	TYP‡	MAX	MIN	TYP‡	MAX	
$V_{IH}$	High-level input voltage		2			2			V
$V_{IL}$	Low-level input voltage		0.7			0.8			V
$V_{IK}$	Input clamp voltage	$V_{CC} = \text{MIN}, I_I = -18$ mA	-1.5			-1.5			V
$V_{OH}$	High-level output voltage	BI/RBO $V_{CC} = \text{MIN}, V_{IH} = 2$ V, $V_{IL} = V_{IL \text{ max}}, I_{OH} = -50$ $\mu$ A	2.4	4.2		2.4	4.2		V
$V_{OL}$	Low-level output voltage	BI/RBO $V_{CC} = \text{MIN}, V_{IH} = 2$ V, $V_{IL} = V_{IL \text{ max}}, I_{OL} = 1.6$ mA $I_{OL} = 3.2$ mA		0.25	0.4		0.25	0.4	V
$I_{O(off)}$	Off-state output current	a thru g $V_{CC} = \text{MAX}, V_{IH} = 2$ V, $V_{IL} = V_{IL \text{ max}}, V_{O(off)} = 15$ V	250			250			$\mu$ A
$V_{O(on)}$	On-state output voltage	a thru g $V_{CC} = \text{MIN}, V_{IH} = 2$ V, $V_{IL} = V_{IL \text{ max}}, I_{O(on)} = 12$ mA $I_{O(on)} = 24$ mA	0.25			0.25			V
$I_I$	Input current at maximum input voltage	$V_{CC} = \text{MAX}, V_I = 7$ V	0.1			0.1			mA
$I_{IH}$	High-level input current	$V_{CC} = \text{MAX}, V_I = 2.7$ V	20			20			$\mu$ A
$I_{IL}$	Low-level input current	Any input except BI/RBO	$V_{CC} = \text{MAX}, V_I = 0.4$ V			-0.4			mA
		BI/RBO				-1.2			
$I_{OS}$	Short-circuit output current	BI/RBO $V_{CC} = \text{MAX}$	-0.3			-0.3			mA
$I_{CC}$	Supply current	$V_{CC} = \text{MAX},$ See Note 2	7			13			mA

†For conditions shown as MIN or MAX, use the appropriate value specified under recommended operating conditions.

‡All typical values are at  $V_{CC} = 5$  V,  $T_A = 25^\circ\text{C}$ .

NOTE 2:  $I_{CC}$  is measured with all outputs open and all inputs at 4.5 V.

### switching characteristics, $V_{CC} = 5$ V, $T_A = 25^\circ\text{C}$

PARAMETER		TEST CONDITIONS	MIN	TYP	MAX	UNIT
$t_{off}$	Turn-off time from A input					
$t_{on}$	Turn-on time from A input	100				
$t_{off}$	Turn-off time from RBI input	100			ns	
$t_{on}$	Turn-on time from RBI input	100				

NOTE 4: Load circuit and voltage waveforms are shown on page 3-11;  $t_{off}$  corresponds to  $t_{pLH}$  and  $t_{on}$  corresponds to  $t_{pHL}$ .

# TYPES SN5448, SN7448 BCD-TO-SEVEN-SEGMENT DECODERS/DRIVERS

absolute maximum ratings over operating free-air temperature range (unless otherwise noted)

Supply voltage, $V_{CC}$ (see Note 1)	7 V
Input voltage	5.5 V
Operating free-air temperature range: SN5448	-55°C to 125°C
SN7448	0°C to 70°C
Storage temperature range	-65°C to 150°C

NOTE 1: Voltage values are with respect to network ground terminal.

recommended operating conditions

	SN5448			SN7448			UNIT
	MIN	NOM	MAX	MIN	NOM	MAX	
Supply voltage, $V_{CC}$	4.5	5	5.5	4.75	5	5.25	V
High-level output current, $I_{OH}$	a thru g		-400			-400	$\mu$ A
	BI/RBO		-200			-200	
Low-level output current, $I_{OL}$	a thru g		6.4			6.4	mA
	BI/RBO		8			8	
Operating free-air temperature, $T_A$	-55		125	0		70	°C

electrical characteristics over recommended operating free-air temperature range (unless otherwise noted)

PARAMETER		TEST CONDITIONS†	MIN	TYP‡	MAX	UNIT	
$V_{IH}$	High-level input voltage			2		V	
$V_{IL}$	Low-level input voltage				0.8	V	
$V_{IK}$	Input clamp voltage	$V_{CC} = \text{MIN}, I_I = -12 \text{ mA}$			-1.5	V	
$V_{OH}$	High-level output voltage	a thru g	$V_{CC} = \text{MIN}, V_{IH} = 2 \text{ V},$ $V_{IL} = 0.8 \text{ V}, I_{OH} = \text{MAX}$	2.4	4.2	V	
		BI/RBO		2.4	3.7		
$I_O$	Output current	a thru g	$V_{CC} = \text{MIN}, V_O = 0.85 \text{ V},$ Input conditions as for $V_{OH}$	-1.3	-2	mA	
$V_{OL}$	Low-level output voltage		$V_{CC} = \text{MIN}, V_{IH} = 2 \text{ V},$ $V_{IL} = 0.8 \text{ V}, I_{OL} = \text{MAX}$	0.27	0.4	V	
$I_I$	Input current at maximum input voltage	Any input except BI/RBO	$V_{CC} = \text{MAX}, V_I = 5.5 \text{ V}$		1	mA	
$I_{IH}$	High-level input current	Any input except BI/RBO	$V_{CC} = \text{MAX}, V_I = 2.4 \text{ V}$		40	$\mu$ A	
$I_{IL}$	Low-level input current	Any input except BI/RBO	$V_{CC} = \text{MAX}, V_I = 0.4 \text{ V}$		-1.6	mA	
		BI/RBO			-4		
$I_{OS}$	Short-circuit output current	BI/RBO	$V_{CC} = \text{MAX}$		-4	mA	
$I_{CC}$	Supply current	$V_{CC} = \text{MIN},$ See Note 2	SN5448		53	76	mA
			SN7448		53	90	

† For conditions shown as MIN or MAX, use the appropriate value specified under recommended operating conditions.

‡ All typical values are at  $V_{CC} = 5 \text{ V}, T_A = 25^\circ \text{C}$ .

NOTE 2:  $I_{CC}$  is measured with all outputs open and all inputs at 4.5 V.

switching characteristics,  $V_{CC} = 5 \text{ V}, T_A = 25^\circ \text{C}$

PARAMETER		TEST CONDITIONS	MIN	TYP	MAX	UNIT
$t_{PHL}$	Propagation delay time, high-to-low-level output from A input	$C_L = 15 \text{ pF}, R_L = 1 \text{ k}\Omega,$ See Note 5			100	ns
$t_{PLH}$	Propagation delay time, low-to-high-level output from A input				100	
$t_{PHL}$	Propagation delay time, high-to-low-level output from RBI input				100	ns
$t_{PLH}$	Propagation delay time, low-to-high-level output from RBI input				100	

NOTE 5: Load circuit and voltage waveforms are shown on page 3-10.

7



# TYPES SN54LS48, SN74LS48

## BCD-TO-SEVEN-SEGMENT DECODERS/DRIVERS

REVISED OCTOBER 1976

absolute maximum ratings over operating free-air temperature range (unless otherwise noted)

Supply voltage, $V_{CC}$ (see Note 1)	7 V
Input voltage	7 V
Operating free-air temperature range: SN54LS48	-55°C to 125°C
SN74LS48	0°C to 70°C
Storage temperature range	-65°C to 150°C

NOTE 1: Voltage values are with respect to network ground terminal.

recommended operating conditions

	SN54LS48			SN74LS48			UNIT
	MIN	NOM	MAX	MIN	NOM	MAX	
Supply voltage, $V_{CC}$	4.5	5	5.5	4.75	5	5.25	V
High-level output current, $I_{OH}$	a thru g	-100		-100			$\mu$ A
	BI/RBO	-50		-50			
Low-level output current, $I_{OL}$	a thru g	2		6			mA
	BI/RBO	1.6		3.2			
Operating free-air temperature, $T_A$	-55	125	0	70			°C

electrical characteristics over recommended operating free-air temperature range (unless otherwise noted)

PARAMETER		TEST CONDITIONS†	SN54LS48		SN74LS48		UNIT			
			MIN	TYP‡	MAX	MIN		TYP‡	MAX	
$V_{IH}$	High-level input voltage		2		2		V			
$V_{IL}$	Low-level input voltage		0.7		0.8		V			
$V_{IK}$	Input clamp voltage	$V_{CC} = \text{MIN}, I_I = -18 \text{ mA}$	-1.5		-1.5		V			
$V_{OH}$	High-level output voltage	a thru g and BI/RBO	$V_{CC} = \text{MIN}, V_{IH} = 2 \text{ V}, V_{IL} = V_{IL \text{ max}}, I_{OH} = \text{MAX}$	2.4	4.2	2.4	4.2	V		
$I_O$	Output current	a thru g	$V_{CC} = \text{MIN}, V_O = 0.85 \text{ V},$ Input conditions as for $V_{OH}$	-1.3	-2	-1.3	-2	mA		
$V_{OL}$	Low-level output voltage	a thru g	$V_{CC} = \text{MIN}, V_{IH} = 2 \text{ V}, V_{IL} = V_{IL \text{ max}}, I_{OL} = 2 \text{ mA}$	0.25	0.4	0.25	0.4	V		
			$I_{OL} = 6 \text{ mA}$			0.35	0.5			
	BI/RBO	$V_{CC} = \text{MIN}, V_{IH} = 2 \text{ V}, V_{IL} = V_{IL \text{ max}}, I_{OL} = 1.6 \text{ mA}$	0.25	0.4	0.25	0.4	V			
		$I_{OL} = 3.2 \text{ mA}$			0.35	0.5				
$I_I$	Input current at maximum input voltage	Any input except BI/RBO	$V_{CC} = \text{MAX}, V_I = 7 \text{ V}$	0.1		0.1		mA		
$I_{IH}$	High-level input current	Any input except BI/RBO	$V_{CC} = \text{MAX}, V_I = 2.7 \text{ V}$	20		20		$\mu$ A		
$I_{IL}$	Low-level input current	Any input except BI/RBO	$V_{CC} = \text{MAX}, V_I = 0.4 \text{ V}$	-0.4		-0.4		mA		
		BI/RBO		-1.2		-1.2				
$I_{OS}$	Short-circuit output current	BI/RBO	$V_{CC} = \text{MAX}$	-0.3	-2	-0.3	-2	mA		
$I_{CC}$	Supply current	$V_{CC} = \text{MAX},$ See Note 2	25		38		25		38	mA

† For conditions shown as MIN or MAX, use the appropriate value specified under recommended operating conditions.

‡ All typical values are at  $V_{CC} = 5 \text{ V}, T_A = 25^\circ \text{C}$ .

NOTE 2:  $I_{CC}$  is measured with all outputs open and all inputs at 4.5 V.

switching characteristics,  $V_{CC} = 5 \text{ V}, T_A = 25^\circ \text{C}$

PARAMETER		TEST CONDITIONS	MIN	TYP	MAX	UNIT
$t_{PHL}$	Propagation delay time, high-to-low-level output from A input	$C_L = 15 \text{ pF}, R_L = 4 \text{ k}\Omega,$			100	ns
$t_{PLH}$	Propagation delay time, low-to-high-level output from A input	See Note 6			100	
$t_{PHL}$	Propagation delay time, high-to-low-level output from RBI input	$C_L = 15 \text{ pF}, R_L = 6 \text{ k}\Omega,$			100	ns
$t_{PLH}$	Propagation delay time, low-to-high-level output from RBI input	See Note 6			100	

NOTE 6: Load circuit and voltage waveforms are shown on page 3-11.

# TYPE SN5449

## BCD-TO-SEVEN-SEGMENT DECODER/DRIVER

absolute maximum ratings over operating free-air temperature range (unless otherwise noted)

Supply voltage, $V_{CC}$ (see Note 1)	7 V
Input voltage	5.5 V
Current forced into any output in the off state	1 mA
Operating free-air temperature range	-55°C to 125°C
Storage temperature range	-65°C to 150°C

NOTE 1: Voltage values are with respect to network ground terminal.

recommended operating conditions

	SN5449			UNIT
	MIN	NOM	MAX	
Supply voltage, $V_{CC}$	4.5	5	5.5	V
High-level output voltage, $V_{OH}$			5.5	V
Low-level output current, $I_{OL}$			10	mA
Operating free-air temperature, $T_A$	-55		125	°C

electrical characteristics over recommended operating free-air temperature range (unless otherwise noted)

PARAMETER	TEST CONDITIONS <sup>†</sup>	SN5449			UNIT
		MIN	TYP <sup>‡</sup>	MAX	
$V_{IH}$ High-level input voltage		2			V
$V_{IL}$ Low-level input voltage			0.6		V
$V_{IK}$ Input clamp voltage	$V_{CC} = \text{MIN}, I_I = -10 \text{ mA}$		-1.5		V
$I_{OH}$ High-level output current	$V_{CC} = \text{MIN}, V_{IH} = 2 \text{ V}, V_{IL} = 0.8 \text{ V}, V_{OH} = 5.5 \text{ V}$		250		$\mu\text{A}$
$V_{OL}$ Low-level output voltage	$V_{CC} = \text{MIN}, V_{IH} = 2 \text{ V}, V_{IL} = 0.8 \text{ V}, I_{OL} = 10 \text{ mA}$	0.27	0.4		V
$I_I$ Input current at maximum input voltage	$V_{CC} = \text{MAX}, V_I = 5.5 \text{ V}$		1		mA
$I_{IH}$ High-level input current	$V_{CC} = \text{MAX}, V_I = 2.4 \text{ V}$		40		$\mu\text{A}$
$I_{IL}$ Low-level input current	$V_{CC} = \text{MAX}, V_I = 0.4 \text{ V}$		-1.6		mA
$I_{CC}$ Supply current	$V_{CC} = \text{MAX}, \text{ See Note 2}$	33	47		mA

<sup>†</sup>For conditions shown as MIN or MAX, use the appropriate value specified under recommended operating conditions.

<sup>‡</sup>All typical values are at  $V_{CC} = 5 \text{ V}, T_A = 25^\circ\text{C}$ .

NOTE 2:  $I_{CC}$  is measured with all outputs open and all inputs at 4.5 V.

switching characteristics,  $V_{CC} = 5 \text{ V}, T_A = 25^\circ\text{C}$

PARAMETER	TEST CONDITIONS	MIN	TYP	MAX	UNIT
$t_{PHL}$ Propagation delay time, high-to-low-level output from A input	$C_L = 15 \text{ pF}, R_L = 667 \Omega,$ See Note 5			100	ns
$t_{PLH}$ Propagation delay time, low-to-high-level output from A input				100	
$t_{PHL}$ Propagation delay time, high-to-low-level output from RBI input				100	ns
$t_{PLH}$ Propagation delay time, low-to-high-level output from RBI input				100	

NOTE 5: Load circuit and voltage waveforms are shown on page 3-10.

# TYPES SN54LS49, SN74LS49

## BCD-TO-SEVEN-SEGMENT DECODERS/DRIVERS

REVISED OCTOBER 1976

### absolute maximum ratings over operating free-air temperature range (unless otherwise noted)

Supply voltage, $V_{CC}$ (see Note 1)	7 V
Input voltage	7 V
Current forced into any output in the off state	1 mA
Operating free-air temperature range: SN54LS49	-55°C to 125°C
SN74LS49	0°C to 70°C
Storage temperature range	-65°C to 150°C

NOTE 1: Voltage values are with respect to network ground terminal.

### recommended operating conditions

	SN54LS49			SN74LS49			UNIT	
	MIN	NOM	MAX	MIN	NOM	MAX		
Supply voltage, $V_{CC}$	4.5	5	5.5	4.75	5	5.25	V	
High-level output voltage, $V_{OH}$	5.5			5.5			V	
Low-level output current, $I_{OL}$	4			8			mA	
Operating free-air temperature, $T_A$	-55			125			0	70 °C

### electrical characteristics over recommended operating free-air temperature range (unless otherwise noted)

PARAMETER	TEST CONDITIONS†	SN54LS49			SN74LS49			UNIT
		MIN	TYP‡	MAX	MIN	TYP‡	MAX	
$V_{IH}$ High-level input voltage		2			2			V
$V_{IL}$ Low-level input voltage		0.7			0.8			V
$V_{IK}$ Input clamp voltage	$V_{CC} = \text{MIN}, I_I = -18 \text{ mA}$	-1.5			-1.5			V
$I_{OH}$ High-level output current	$V_{CC} = \text{MIN}, V_{IH} = 2 \text{ V}, V_{IL} = V_{IL \text{ max}}, V_{OH} = 5.5 \text{ V}$	250			250			μA
$V_{OL}$ Low-level output voltage	$V_{CC} = \text{MIN}, V_{IH} = 2 \text{ V}, V_{IL} = V_{IL \text{ max}}, I_{OL} = 4 \text{ mA}$	0.25 0.4			0.25 0.4			V
	$I_{OL} = 8 \text{ mA}$				0.35 0.5			
$I_I$ Input current at maximum input voltage	$V_{CC} = \text{MAX}, V_I = 7 \text{ V}$	0.1			0.1			mA
$I_{IH}$ High-level input current	$V_{CC} = \text{MAX}, V_I = 2.7 \text{ V}$	20			20			μA
$I_{IL}$ Low-level input current	$V_{CC} = \text{MAX}, V_I = 0.4 \text{ V}$	-0.4			-0.4			mA
$I_{CC}$ Supply current	$V_{CC} = \text{MAX},$ See Note 2	8 15			8 15			mA

† For conditions shown as MIN or MAX, use the appropriate value specified under recommended operating conditions.

‡ All typical values are at  $V_{CC} = 5 \text{ V}, T_A = 25^\circ \text{C}$ .

NOTE 2:  $I_{CC}$  is measured with all outputs open and all inputs at 4.5 V.

### switching characteristics, $V_{CC} = 5 \text{ V}, T_A = 25^\circ \text{C}$

PARAMETER	TEST CONDITIONS	MIN	TYP	MAX	UNIT
$t_{PHL}$ Propagation delay time, high-to-low-level output from A input	$C_L = 15 \text{ pF}, R_L = 2 \text{ k}\Omega,$ See Note 6			100	ns
$t_{PLH}$ Propagation delay time, low-to-high-level output from A input				100	
$t_{PHL}$ Propagation delay time, high-to-low-level output from RBI input	$C_L = 15 \text{ pF}, R_L = 6 \text{ k}\Omega,$ See Note 6			100	ns
$t_{PLH}$ Propagation delay time, low-to-high-level output from RBI input				100	

NOTE 6: Load circuit and voltage waveforms are shown on page 3-11.

# TYPES SN5475, SN5477, SN54L75, SN54L77, SN54LS75, SN54LS77, SN7475, SN74L75, SN74L77, SN74LS75 4-BIT BISTABLE LATCHES

BULLETIN NO. DL-S 7611851, MARCH 1974—REVISED OCTOBER 1976

logic

FUNCTION TABLE  
(Each Latch)

INPUTS		OUTPUTS	
D	G	Q	$\bar{Q}$
L	H	L	H
H	H	H	L
X	L	Q <sub>0</sub>	$\bar{Q}$ <sub>0</sub>

H = high level, L = low level, X = irrelevant  
Q<sub>0</sub> = the level of Q before the high-to-low transition of G

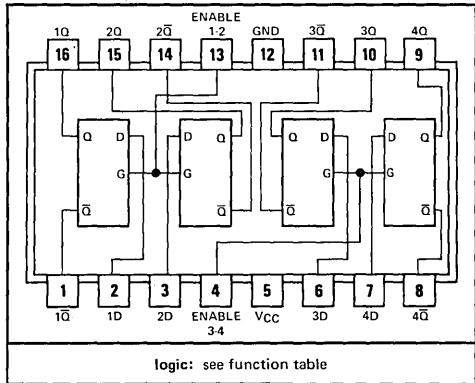
description

These latches are ideally suited for use as temporary storage for binary information between processing units and input/output or indicator units. Information present at a data (D) input is transferred to the Q output when the enable (G) is high and the Q output will follow the data input as long as the enable remains high. When the enable goes low, the information (that was present at the data input at the time the transition occurred) is retained at the Q output until the enable is permitted to go high.

The '75, 'L75, and 'LS75 feature complementary Q and  $\bar{Q}$  outputs from a 4-bit latch, and are available in various 16-pin packages. For higher component density applications, the '77, 'L77, and 'LS77 4-bit latches are available in 14-pin flat packages.

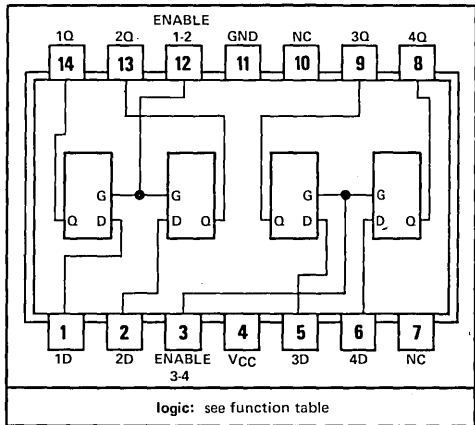
These circuits are completely compatible with all popular TTL or DTL families. All inputs are diode-clamped to minimize transmission-line effects and simplify system design. Series 54, 54L, and 54LS devices are characterized for operation over the full military temperature range of -55°C to 125°C; Series 74, 74L, and 74LS devices are characterized for operation from 0°C to 70°C.

SN5475, SN54LS75 ... J OR W PACKAGE  
SN54L75 ... J PACKAGE  
SN7475, SN74L75, SN74LS75 ... J OR N PACKAGE  
(TOP VIEW)



logic: see function table

SN5477, SN54LS77 ... W PACKAGE  
SN54L77, SN74L77 ... T PACKAGE



logic: see function table

NC—No internal connection

absolute maximum ratings over operating free-air temperature range (unless otherwise noted)

Supply voltage, V <sub>CC</sub> (see Note 1)	7 V
Input voltage: '75, 'L75, '77, 'L77	5.5 V
'LS75, 'LS77	7 V
Interemitter voltage (see Note 2)	5.5 V
Operating free-air temperature range: SN54', SN54L', SN54LS' Circuits	-55°C to 125°C
SN74', SN74L', SN74LS' Circuits	0°C to 70°C
Storage temperature range	-65°C to 150°C

NOTES: 1. Voltage values, except interemitter voltage, are with respect to network ground terminal.  
2. This is the voltage between two emitters of a multiple-emitter input transistor and is not applicable to the 'LS75 and 'LS77.

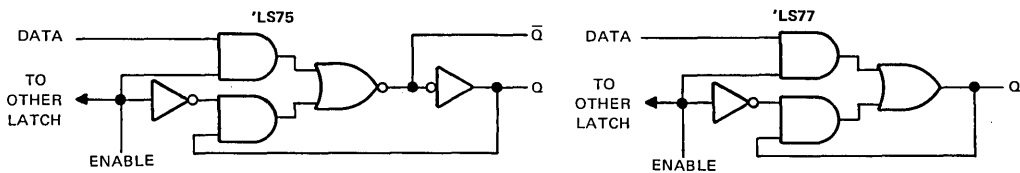
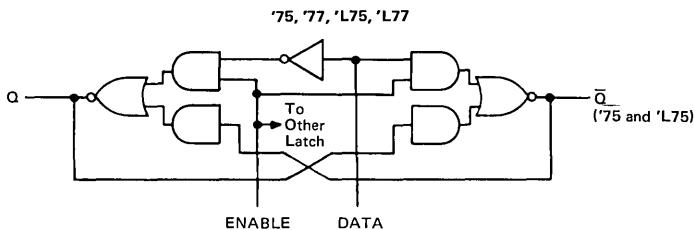


# TYPES SN5475, SN5477, SN54L75, SN54L77, SN54LS75, SN54LS77, SN7475, SN74L75, SN74L77, SN74LS75

## 4-BIT BISTABLE LATCHES

REVISED OCTOBER 1976

functional block diagrams (each latch)

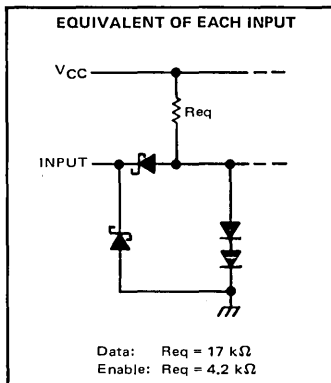
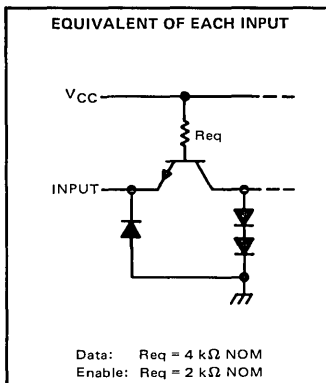
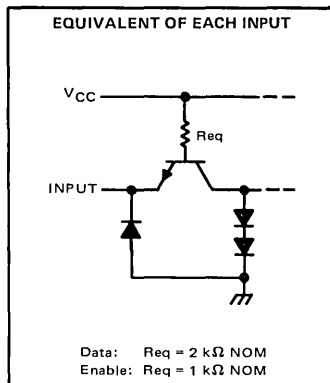


schematics of inputs and outputs

'75, '77

'L75, 'L77

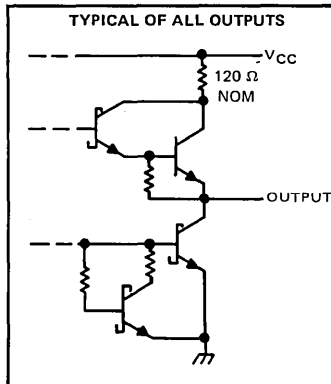
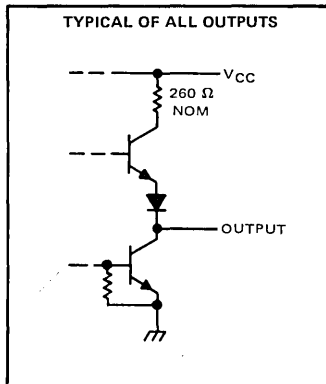
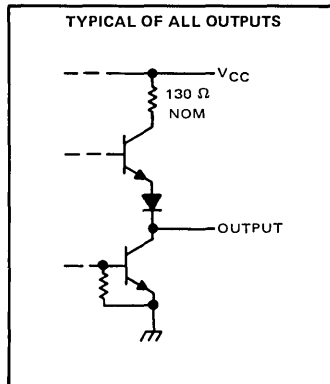
'LS75, 'LS77



'75, '77

'L75, 'L77

'LS75, 'LS77



# TYPES SN5475, SN5477, SN7475 4-BIT BISTABLE LATCHES

## recommended operating conditions

	SN5475, SN5477			SN7475			UNIT
	MIN	NOM	MAX	MIN	NOM	MAX	
Supply voltage, $V_{CC}$	4.5	5	5.5	4.75	5	5.25	V
High-level output current, $I_{OH}$			-400			-400	$\mu$ A
Low-level output current, $I_{OL}$			16			16	mA
Width of enabling pulse, $t_w$	20			20			ns
Setup time, $t_{su}$	20			20			ns
Hold time, $t_h$	5			5			ns
Operating free-air temperature, $T_A$	-55		125	0		70	$^{\circ}$ C

## electrical characteristics over recommended operating free-air temperature range (unless otherwise noted)

PARAMETER		TEST CONDITIONS <sup>†</sup>	MIN	TYP <sup>‡</sup>	MAX	UNIT
$V_{IH}$	High-level input voltage		2			V
$V_{IL}$	Low-level input voltage				0.8	V
$V_{IK}$	Input clamp voltage	$V_{CC} = \text{MIN}$ , $I_I = -12 \text{ mA}$			-1.5	V
$V_{OH}$	High-level output voltage	$V_{CC} = \text{MIN}$ , $V_{IH} = 2 \text{ V}$ , $V_{IL} = 0.8 \text{ V}$ , $I_{OH} = -400 \mu\text{A}$	2.4	3.4		V
$V_{OL}$	Low-level output voltage	$V_{CC} = \text{MIN}$ , $V_{IH} = 2 \text{ V}$ , $V_{IL} = 0.8 \text{ V}$ , $I_{OL} = 16 \text{ mA}$		0.2	0.4	V
$I_I$	Input current at maximum input voltage	$V_{CC} = \text{MAX}$ , $V_I = 5.5 \text{ V}$			1	mA
$I_{IH}$	High-level input current	D input	$V_{CC} = \text{MAX}$ , $V_I = 2.4 \text{ V}$		80	$\mu$ A
		G input			160	
$I_{IL}$	Low-level input current	D input	$V_{CC} = \text{MAX}$ , $V_I = 0.4 \text{ V}$		-3.2	mA
		G input			-6.4	
$I_{OS}$	Short-circuit output current <sup>§</sup>	$V_{CC} = \text{MAX}$	SN54 <sup>*</sup>	-20	-57	mA
			SN74 <sup>*</sup>	-18	-57	
$I_{CC}$	Supply current	$V_{CC} = \text{MAX}$ , See Note 3	SN54 <sup>*</sup>	32	46	mA
			SN74 <sup>*</sup>	32	53	

<sup>†</sup> For conditions shown as MIN or MAX, use the appropriate value specified under recommended operating conditions.

<sup>‡</sup> All typical values are at  $V_{CC} = 5 \text{ V}$ ,  $T_A = 25^{\circ}\text{C}$ .

<sup>§</sup> Not more than one output should be shorted at a time.

NOTE 3:  $I_{CC}$  is tested with all inputs grounded and all outputs open.

## switching characteristics, $V_{CC} = 5 \text{ V}$ , $T_A = 25^{\circ}\text{C}$

PARAMETER <sup>◇</sup>	FROM (INPUT)	TO (OUTPUT)	TEST CONDITIONS	MIN	TYP	MAX	UNIT
$t_{PLH}$	D	Q	$C_L = 15 \text{ pF}$ , $R_L = 400 \Omega$ , See Figure 1		16	30	ns
$t_{PHL}$					14	25	
$t_{PLH}^{\ddagger}$	D	$\bar{Q}$			24	40	ns
$t_{PHL}^{\ddagger}$					7	15	
$t_{PLH}$	G	Q			16	30	ns
$t_{PHL}$					7	15	
$t_{PLH}^{\ddagger}$	G	$\bar{Q}$			16	30	ns
$t_{PHL}^{\ddagger}$					7	15	

<sup>◇</sup>  $t_{PLH}$  = propagation delay time, low-to-high-level output

$t_{PHL}$  = propagation delay time, high-to-low-level output

<sup>‡</sup> These parameters are not applicable for the SN5477.

# TYPES SN54L75, SN54L77, SN74L75, SN74L77

## 4-BIT BISTABLE LATCHES

### recommended operating conditions

	SN54L75, SN54L77			SN74L75, SN74L77			UNIT
	MIN	NOM	MAX	MIN	NOM	MAX	
Supply voltage, $V_{CC}$	4.5	5	5.5	4.75	5	5.25	V
High-level output current, $I_{OH}$			-200			-200	$\mu$ A
Low-level output current, $I_{OL}$			8			8	mA
Width of enabling pulse, $t_W$	100			100			ns
Setup time, $t_{SU}$	40			40			ns
Hold time, $t_H$	10			10			ns
Operating free-air temperature, $T_A$	-55	125		0	70		$^{\circ}$ C

### electrical characteristics over recommended operating free-air temperature range (unless otherwise noted)

PARAMETER		TEST CONDITIONS†	MIN	TYP‡	MAX	UNIT
$V_{IH}$	High-level input voltage		2			V
$V_{IL}$	Low-level input voltage				0.8	V
$V_{IK}$	Input clamp voltage	$V_{CC} = \text{MIN}, I_I = -12 \text{ mA}$			-1.5	V
$V_{OH}$	High-level output voltage	$V_{CC} = \text{MIN}, V_{IH} = 2 \text{ V}, V_{IL} = 0.8 \text{ V}, I_{OH} = -200 \mu\text{A}$	2.4	3.4		V
$V_{OL}$	Low-level output voltage	$V_{CC} = \text{MIN}, V_{IH} = 2 \text{ V}, V_{IL} = 0.8 \text{ V}, I_{OL} = 8 \text{ mA}$		0.2	0.4	V
$I_I$	Input current at maximum input voltage	$V_{CC} = \text{MAX}, V_I = 5.5 \text{ V}$			1	mA
$I_{IH}$	High-level input current	D input			40	$\mu$ A
		G input			80	
$I_{IL}$	Low-level input current	D input			-1.6	mA
		G input			-3.2	
$I_{OS}$	Short-circuit output current§	$V_{CC} = \text{MAX}$				mA
$I_{CC}$	Supply current					mA
			SN54L'	-10	-29	
			SN74L'	-9	-29	
		$V_{CC} = \text{MAX},$ See Note 3			16	23
					16	27

†For conditions shown as MIN or MAX, use the appropriate value specified under recommended operating conditions.

‡All typical values are at  $V_{CC} = 5 \text{ V}, T_A = 25^{\circ}\text{C}$ .

§Nor more than one output should be shorted at a time.

NOTE 3:  $I_{CC}$  is tested with all inputs grounded and all outputs open.

### switching characteristics, $V_{CC} = 5 \text{ V}, T_A = 25^{\circ}\text{C}$

PARAMETER <sup>◇</sup>	FROM (INPUT)	TO (OUTPUT)	TEST CONDITIONS	MIN	TYP	MAX	UNIT
$t_{PLH}$	D	Q	$C_L = 15 \text{ pF},$ $R_L = 800 \Omega,$ See Figure 1		32	60	ns
$t_{PHL}$					28	50	
$t_{PLH}^{\ddagger}$	D	$\bar{Q}$			48	80	ns
$t_{PHL}^{\ddagger}$					14	30	
$t_{PLH}$	G	Q			32	60	ns
$t_{PHL}$					14	30	
$t_{PLH}^{\ddagger}$	G	$\bar{Q}$			32	60	ns
$t_{PHL}^{\ddagger}$					14	30	

<sup>◇</sup> $t_{PLH}$  ≡ propagation delay time, low-to-high-level output

$t_{PHL}$  ≡ propagation delay time, high-to-low-level output

<sup>‡</sup>These parameters are not applicable for the SN54L77 and SN74L77.

# TYPES SN54LS75, SN54LS77, SN74LS75 4-BIT BISTABLE LATCHES

REVISED DECEMBER 1980

## recommended operating conditions

	SN54LS75 SN54LS77			SN74LS75			UNIT
	MIN	NOM	MAX	MIN	NOM	MAX	
Supply voltage, $V_{CC}$	4.5	5	5.5	4.75	5	5.25	V
High-level output current, $I_{OH}$	-400			-400			$\mu$ A
Low-level output current, $I_{OL}$	4			8			mA
Width of enabling pulse, $t_w$	20			20			ns
Setup time, $t_{su}$	20			20			ns
Hold time, $t_h$	5			5			ns
Operating free-air temperature, $T_A$	-55			125			0 70 °C

## electrical characteristics over recommended operating free-air temperature range (unless otherwise noted)

PARAMETER	TEST CONDITIONS†	SN54LS75 SN54LS77			SN74LS75			UNIT
		MIN	TYP‡	MAX	MIN	TYP‡	MAX	
$V_{IH}$ High-level input voltage		2			2			V
$V_{IL}$ Low-level input voltage		0.7			0.8			V
$V_{IK}$ Input clamp voltage	$V_{CC} = \text{MIN}, I_I = -18 \text{ mA}$	-1.5			-1.5			V
$V_{OH}$ High-level output voltage	$V_{CC} = \text{MIN}, V_{IH} = 2 \text{ V}, V_{IL} = V_{IL \text{ max}}, I_{OH} = -400 \mu\text{A}$	2.5	3.5		2.7	3.5	V	
$V_{OL}$ Low-level output voltage	$V_{CC} = \text{MIN}, V_{IH} = 2 \text{ V}, V_{IL} = V_{IL \text{ max}}$	$I_{OL} = 4 \text{ mA}$	0.25	0.4	0.25	0.4	V	
		$I_{OL} = 8 \text{ mA}$			0.35	0.5		
$I_I$ Input current at maximum input voltage	$V_{CC} = \text{MAX}, V_I = 7 \text{ V}$	D input	0.1		0.1		mA	
		G input	0.4		0.4			
$I_{IH}$ High-level input current	$V_{CC} = \text{MAX}, V_I = 2.7 \text{ V}$	D input	20		20		$\mu$ A	
		G input	80		80			
$I_{IL}$ Low-level input current	$V_{CC} = \text{MAX}, V_I = 0.4 \text{ V}$	D input	-0.4		-0.4		mA	
		G input	-1.6		-1.6			
$I_{OS}$ Short-circuit output current§	$V_{CC} = \text{MAX}$	-20	-100		-20	-100	mA	
$I_{CC}$ Supply current	$V_{CC} = \text{MAX},$ See Note 2	'LS75	6.3	12	6.3	12	mA	
		'LS77	6.9	13				

† For conditions shown as MIN or MAX, use the appropriate value specified under recommended operating conditions.

‡ All typical values are at  $V_{CC} = 5 \text{ V}, T_A = 25^\circ \text{C}$ .

§ Not more than one output should be shorted at a time, and duration of the short-circuit should not exceed one second

NOTE 2:  $I_{CC}$  is tested with all inputs grounded and all outputs open.

## switching characteristics, $V_{CC} = 5 \text{ V}, T_A = 25^\circ \text{C}$

PARAMETER <sup>◇</sup>	FROM (INPUT)	TO (OUTPUT)	TEST CONDITIONS	'LS75			'LS77			UNIT
				MIN	TYP	MAX	MIN	TYP	MAX	
$t_{PLH}$	D	Q	$C_L = 15 \text{ pF}, R_L = 2 \text{ k}\Omega,$ See Figure 1	15	27		11	19	ns	
$t_{PHL}$				9	17		9	17		
$t_{PLH}$	D	$\bar{Q}$		12	20				ns	
$t_{PHL}$				7	15					
$t_{PLH}$	G	Q		15	27		10	18	ns	
$t_{PHL}$				14	25		10	18		
$t_{PLH}$	G	$\bar{Q}$		16	30				ns	
$t_{PHL}$				7	15					

<sup>◇</sup> $t_{PLH}$  ≡ propagation delay time, low-to-high-level output

$t_{PHL}$  ≡ propagation delay time, high-to-low-level output

TEXAS INSTRUMENTS  
INCORPORATED

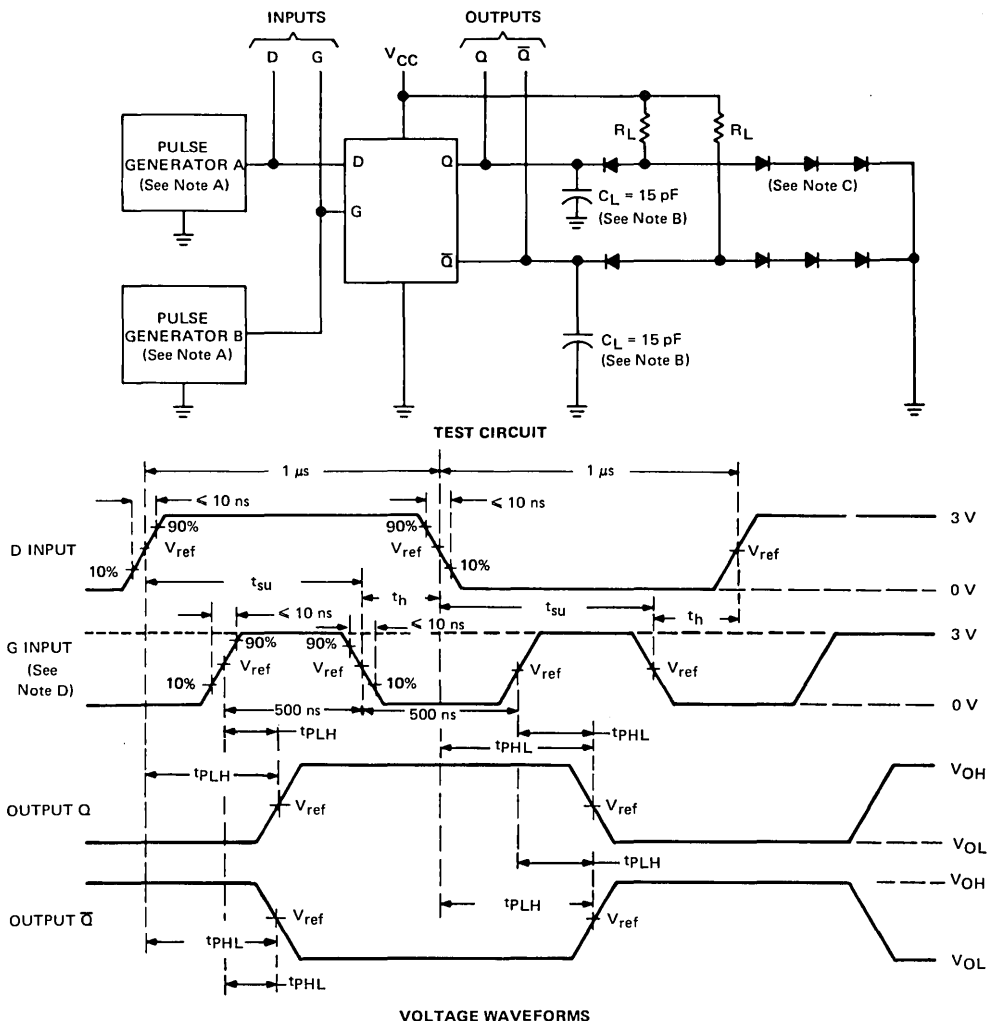
POST OFFICE BOX 225012 • DALLAS, TEXAS 75265



# TYPES SN5475, SN5477, SN54L75, SN54L77, SN54LS75, SN54LS77, SN7475, SN74L75, SN74L77, SN74LS75 4-BIT BISTABLE LATCHES

## PARAMETER MEASUREMENT INFORMATION

switching characteristics



- NOTES: A. The pulse generators have the following characteristics:  $Z_{out} \approx 50 \Omega$ ; for pulse generator A,  $PRR \leq 500 \text{ kHz}$ ; for pulse generator B,  $PRR \leq 1 \text{ MHz}$ . Positions of D and G input pulses are varied with respect to each other to verify setup times.
- B.  $C_L$  includes probe and jig capacitance.
- C. All diodes are 1N3064.
- D. When measuring propagation delay times from the D input, the corresponding G input must be held high.
- E. For '75, '77, 'L75, and 'L77,  $V_{ref} = 1.5 \text{ V}$ ; for 'LS75 and 'LS77,  $V_{ref} = 1.3 \text{ V}$ .
- †Complementary  $\bar{Q}$  outputs are on the '75, 'L75, and 'LS75 only.

FIGURE 1

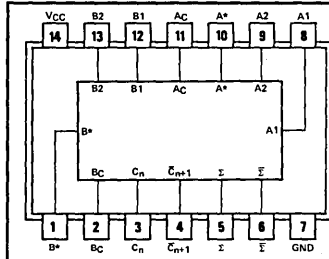
logic

FUNCTION TABLE  
(See Notes 1, 2, and 3)

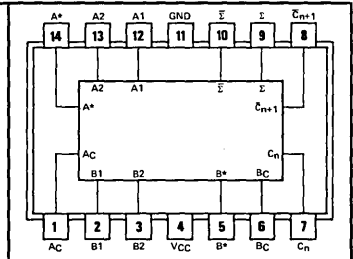
INPUTS			OUTPUTS		
$C_n$	B	A	$\bar{C}_{n+1}$	$\bar{\Sigma}$	$\Sigma$
L	L	L	H	H	L
L	L	H	H	L	H
L	H	L	H	L	H
L	H	H	L	H	L
H	L	L	H	L	H
H	L	H	L	H	L
H	H	L	L	H	L
H	H	H	L	L	H

H = high level, L = low level

SN5480 . . . J PACKAGE  
SN7480 . . . J OR N PACKAGE  
(TOP VIEW)



SN5480 . . . W PACKAGE  
(TOP VIEW)



positive logic: see function table

- NOTES: 1.  $A = \bar{A}C + \bar{A}A + A1 \cdot A2$ ,  $B = \bar{B}C + \bar{B}A + B1 \cdot B2$ .  
 2. When  $A^*$  is used as an input,  $A1$  or  $A2$  must be low. When  $B^*$  is used as an input,  $B1$  or  $B2$  must be low.  
 3. When  $A1$  and  $A2$  or  $B1$  and  $B2$  are used as inputs,  $A^*$  or  $B^*$ , respectively, must be open or used to perform dot-AND logic.

description

These single-bit, high-speed, binary full adders with gated complementary inputs, complementary sum ( $\Sigma$  and  $\bar{\Sigma}$ ) outputs and inverted carry output are designed for medium- and high-speed, multiple-bit, parallel-add/serial-carry applications. These circuits (see schematic) utilize diode-transistor logic (DTL) for the gated inputs, and high-speed, high-fan-out transistor-transistor logic (TTL) for the sum and carry outputs and are entirely compatible with both DTL and TTL logic families. The implementation of a single-inversion, high-speed, Darlington-connected serial-carry circuit minimizes the necessity for extensive "look-ahead" and carry-cascading circuits.

absolute maximum ratings over operating free-air temperature range (unless otherwise noted)

Supply voltage, $V_{CC}$ (see Note 4)	7 V
Input voltage (see Note 5)	5.5 V
Operating free-air temperature range: SN5480 Circuits	-55°C to 125°C
SN7480 Circuits	0° to 70°C
Storage temperature range	-65°C to 150°C

- NOTES: 4. Voltage values are with respect to network ground terminal.  
 5. Input signals must be zero or positive with respect to network ground terminal.

recommended operating conditions

	SN5480			SN7480			UNIT
	MIN	NOM	MAX	MIN	NOM	MAX	
Supply voltage, $V_{CC}$	4.5	5	5.5	4.75	5	5.25	V
High-level output current, $I_{OH}$	$\Sigma$ or $\bar{\Sigma}$		-400			-400	$\mu A$
	$\bar{C}_{n+1}$		-200			-200	
	$A^*$ or $B^*$		-120			-120	
Low-level output current, $I_{OL}$	$\Sigma$ or $\bar{\Sigma}$		16			16	mA
	$\bar{C}_{n+1}$		8			8	
	$A^*$ or $B^*$		4.8			4.8	
Operating free-air temperature, $T_A$	-55		125	0		70	°C

# TYPES SN5480, SN7480

## GATED FULL ADDERS

electrical characteristics over recommended operating free-air temperature range (unless otherwise noted)

PARAMETER		TEST CONDITIONS†	SN5480			SN7480			UNIT		
			MIN	TYP‡	MAX	MIN	TYP‡	MAX			
V <sub>IH</sub>	High-level input voltage		2			2			V		
V <sub>IL</sub>	Low-level input voltage		0.8			0.8			V		
V <sub>OH</sub>	High-level output voltage	$\Sigma$ or $\bar{\Sigma}$	V <sub>CC</sub> = MAX, I <sub>OH</sub> = -400 $\mu$ A		2.4	3.5	2.4	3.5	V		
		$\bar{C}_{n+1}$	V <sub>IH</sub> = 2 V, I <sub>OH</sub> = -200 $\mu$ A								
		A* or B*	V <sub>IL</sub> = 0.8 V, I <sub>OH</sub> = -120 $\mu$ A								
V <sub>OL</sub>	Low-level output voltage	$\Sigma$ or $\bar{\Sigma}$	V <sub>CC</sub> = MAX, I <sub>OL</sub> = 16 mA		0.22	0.4	0.22	0.4	V		
		$\bar{C}_{n+1}$	V <sub>IH</sub> = 2 V, I <sub>OL</sub> = 8 mA								
		A* or B*	V <sub>IL</sub> = 0.8 V, I <sub>OL</sub> = 4.8 mA								
I <sub>I</sub>	Input current at maximum input voltage	V <sub>CC</sub> = MAX, V <sub>I</sub> = 5.5 V	1			1			mA		
I <sub>IH</sub>	High-level input current	A <sub>1</sub> , A <sub>2</sub> , B <sub>1</sub> , B <sub>2</sub> , A <sub>C</sub> or B <sub>C</sub>	V <sub>CC</sub> = MAX, V <sub>I</sub> = 2.4 V		15			15			$\mu$ A
		A* or B*			-1.1			-1.1			
		C <sub>n</sub>			200			200			
I <sub>IL</sub>	Low-level input current	A <sub>1</sub> , A <sub>2</sub> , B <sub>1</sub> , B <sub>2</sub> , A <sub>C</sub> or B <sub>C</sub>	V <sub>CC</sub> = MAX, V <sub>I</sub> = 0.4 V		-1.6			-1.6			mA
		A* or B*			-2.6			-2.6			
		C <sub>n</sub>			-8			-8			
I <sub>OS</sub>	Short-circuit output-current§	$\Sigma$ or $\bar{\Sigma}$	V <sub>CC</sub> = MAX		-20	-57	-18	-57	mA		
		$\bar{C}_{n+1}$			-20	-70	-18	-70			
		A* or B*			-0.9	-2.9	-0.9	-2.9			
I <sub>CC</sub>	Supply current	V <sub>CC</sub> = MAX, See Note 6	21 31			21 35			mA		

† For conditions shown as MIN or MAX, use the appropriate value specified under recommended operating conditions for the applicable type.

‡ All typical values are at V<sub>CC</sub> = 5 V, T<sub>A</sub> = 25°C.

§ Not more than one output should be shorted at a time.

NOTE 6: I<sub>CC</sub> is measured with all inputs and outputs open.

### switching characteristics, V<sub>CC</sub> = 5 V, T<sub>A</sub> = 25°C

PARAMETER¶	FROM INPUT	TO OUTPUT	TEST CONDITIONS	MIN	TYP	MAX	UNIT
t <sub>PLH</sub>	C <sub>n</sub>	$\bar{C}_{n+1}$	C <sub>L</sub> = 15 pF, R <sub>L</sub> = 780 $\Omega$ , See Note 7	13	17	ns	
t <sub>PHL</sub>				8	12		
t <sub>PLH</sub>	B <sub>C</sub>	$\bar{C}_{n+1}$		18	25		
t <sub>PHL</sub>				38	55		
t <sub>PLH</sub>	A <sub>C</sub>	$\Sigma$	C <sub>L</sub> = 15 pF, R <sub>L</sub> = 400 $\Omega$ , See Note 7	52	70	ns	
t <sub>PHL</sub>				62	80		
t <sub>PLH</sub>	B <sub>C</sub>	$\bar{\Sigma}$		38	55		
t <sub>PHL</sub>				56	75		
t <sub>PLH</sub>	A <sub>1</sub>	A*	C <sub>L</sub> = 15 pF, See Note 7	48	65	ns	
t <sub>PHL</sub>				17	25		
t <sub>PLH</sub>	B <sub>1</sub>	B*		48	65		
t <sub>PHL</sub>				17	25		

¶ t<sub>PLH</sub>  $\equiv$  propagation delay time, low-to-high-level output

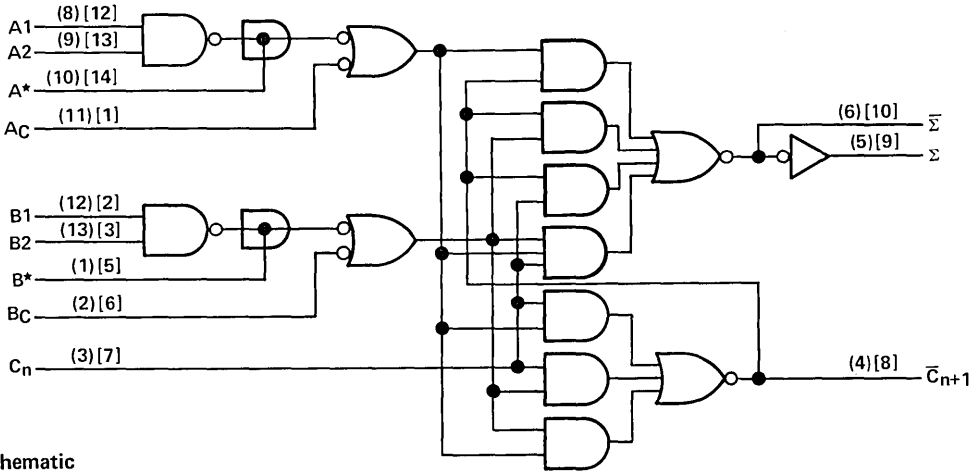
t<sub>PHL</sub>  $\equiv$  propagation delay time, high-to-low-level output

NOTE 7: The load for testing outputs A\* and B\* consists only of capacitance C<sub>L</sub> to ground. The load circuit for the other outputs and voltage waveforms are shown on page 3-10.

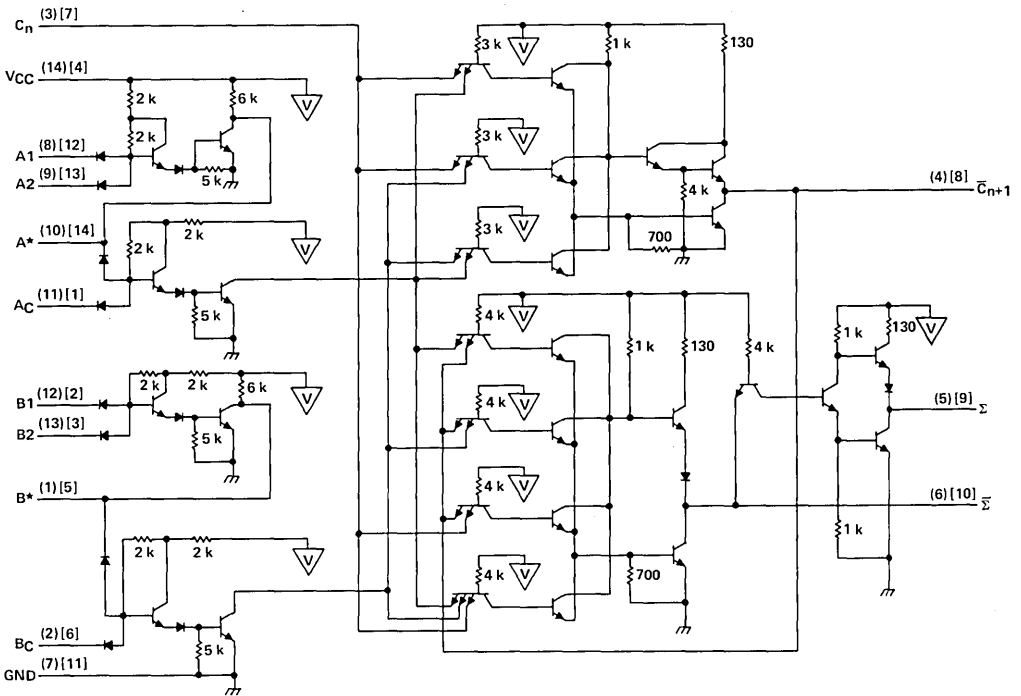
# TYPES SN5480, SN7480 GATED FULL ADDERS


## functional block diagram

(DUAL-IN-LINE)[FLAT PACKAGE]



## schematic



 ... V<sub>CC</sub> bus

Resistor values shown are nominal and in ohms.

7

TYPES SN5481A, SN5484A, SN7481A, SN7484A  
16-BIT RANDOM-ACCESS MEMORIES

BULLETIN NO. DL-S 7211581, DECEMBER 1972

description

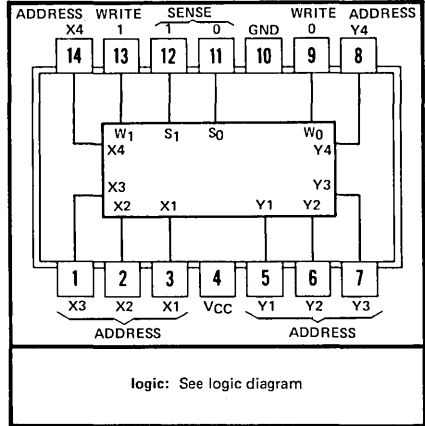
Each of these 16-bit active-element memories is a high-speed, monolithic, transistor-transistor-logic (TTL) array of 16 flip-flops and two write amplifiers interconnected to form a scratch-pad memory with direct-address and nondestructive read-out. These devices are interchangeable with and replace SN5481, SN7481, SN5484, and SN7484, but feature diode-clamped inputs, improved switching speeds, and lower supply current requirements.

The flip-flops are arranged in a four-by-four matrix with each flip-flop representing one bit of 16 words. Four X-address lines and four Y-address lines permit the address of one bit at a time. Each flip-flop, composed of two cross-coupled three-emitter transistors, is used to store one bit. To determine if a logic 1 or logic 0 has been stored, it is necessary to know which one of the two flip-flop transistors is conducting. One emitter of each of these transistors serves as the sensing output. All 16 of the logic 1 sensing outputs are connected to the sense 1 (S<sub>1</sub>) amplifier input and all 16 of the logic 0 sensing outputs are connected to the sense 0 (S<sub>0</sub>) amplifier input. The two remaining emitters of each transistor are used to complete the matrix connections necessary for the X- and Y-address lines. Address line inputs are normally held low and currents from all conducting flip-flop transistors flow out of these address lines.

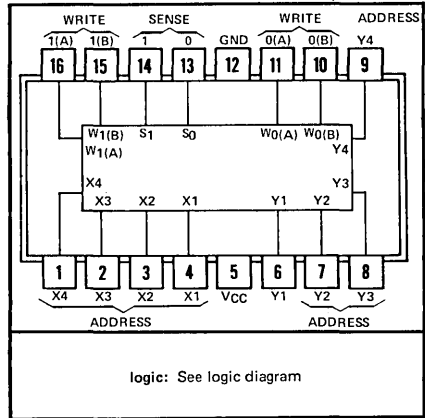
To address a flip-flop both the X- and Y-address lines associated with that flip-flop are taken to a high level. Due to the matrix nature of the circuit, at least one address line of all flip-flops except the one being addressed will continue to remain at a low level and no change will occur in those flip-flops. But, in the addressed flip-flop, the current in the conducting transistor diverts from the address lines to the appropriate sense line and then to one of the sense amplifiers. Thus, either the sense 1 amplifier or the sense 0 amplifier is activated. When this occurs, the output of the activated sense amplifier drops from a high logic level to a low logic level. The memory is nondestructive as the states of the flip-flops are not disturbed during sensing. The memory is volatile and information will be lost if the supply voltage is removed.

To store new information in a flip-flop, it is necessary to address it and apply a high-level voltage to the appropriate write amplifier. (The SN5484A and SN7484A have gated write-amplifier inputs). The output of the write amplifier responds by dropping to a low logic level. Since all Sense 0 lines are connected to the output of the write 0 amplifier and all sense 1 lines are connected to the output of a write 1 amplifier, a low level at the output of a write amplifier

SN5481A ... J OR W PACKAGE  
SN7481A ... J OR N PACKAGE  
(TOP VIEW)



SN5484A ... J OR W PACKAGE  
SN7484A ... J OR N PACKAGE  
(TOP VIEW)



# TYPES SN5481A, SN5484A, SN7481A, SN7484A 16-BIT RANDOM-ACCESS MEMORIES

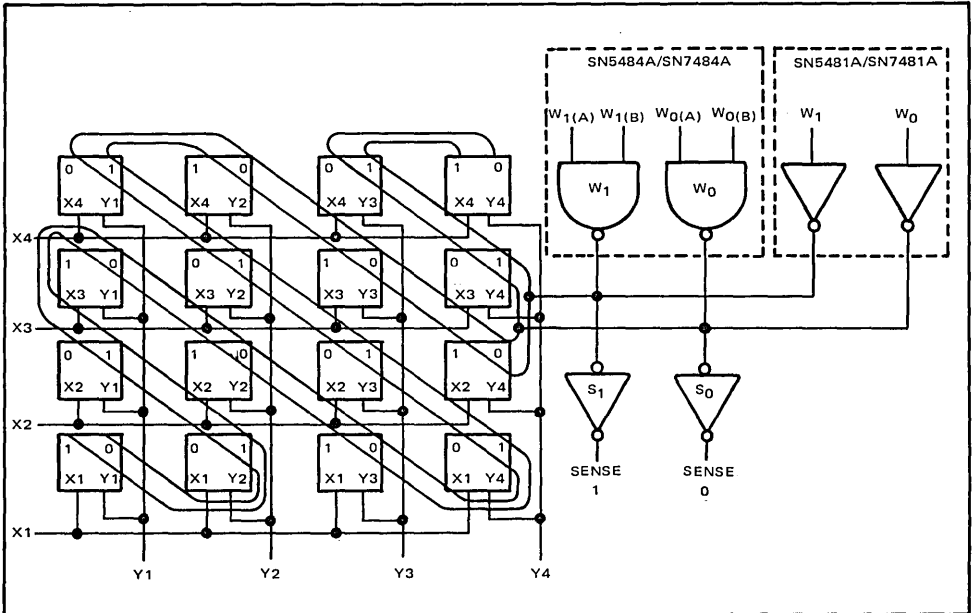
## description (continued)

will cause the emitters of all flip-flop transistors connected to that amplifier to go low. In all the flip-flops except the one being addressed, this low voltage has no effect since at least one other emitter on each of the flip-flop transistors is held low by the address lines. Two possibilities exist with the flip-flop that is addressed. The flip-flop may already be in the desired state, in which case no change occurs. If the flip-flop must be changed from one state to the other, the low voltage applied to the emitter of the transistor which is not conducting turns that transistor on causing the other transistor to turn off.

Since the connection between the output of the write amplifier and the sense line is common to the input of the sense amplifier, the memory cannot be used to provide information on the state of a bit while the write amplifiers are activated.

A number of active-element memories may be paralleled to form the desired matrix size (number of words) and to form the desired word length (number of bits). All inputs and outputs are compatible with most DTL and TTL circuits. Average power dissipation is typically 225 milliwatts, and the open-collector outputs may be wire-AND connected to similar outputs. Internal circuitry of the write and sense amplifiers are operated within their linear range to improve speed. Sensing propagation delay times are typically 12 nanoseconds when operated at full fan-out and 30 picofarads of circuit capacitance. The SN5481A and SN5484A circuits are designed for operation over the full military temperature range of  $-55^{\circ}\text{C}$  to  $125^{\circ}\text{C}$ ; the SN7481A circuits are designed for operation from  $0^{\circ}\text{C}$  to  $70^{\circ}\text{C}$ .

## logic diagram



7

# TYPES SN5481A, SN5484A, SN7481A, SN7484A

## 16-BIT RANDOM-ACCESS MEMORIES

### absolute maximum ratings over operating free-air temperature range (unless otherwise noted)

Supply voltage, $V_{CC}$ (see Note 1)	7 V
Input voltage	5.5 V
Interemitter voltage (see Note 2)	5.5 V
High-level output voltage	5.5 V
Operating free-air temperature range: SN5481A, SN5484A Circuits	-55°C to 125°C
SN7481A, SN7484A Circuits	0°C to 70°C
Storage temperature range	-65°C to 150°C

- NOTES: 1. Voltage values, except interemitter voltage, are with respect to network ground terminal.  
 2. This is the voltage between two emitters of a multiple-emitter transistor. For this circuit, this rating applies to any X input in conjunction with any Y input.

### recommended operating conditions

	SN5481A, SN5484A			SN7481A, SN7484A			UNIT		
	MIN	NOM	MAX	MIN	NOM	MAX			
Supply voltage, $V_{CC}$	4.5	5	5.5	4.75	5	5.25	V		
High-level output voltage, $V_{OH}$	5.5			5.5			V		
Low-level output current, $I_{OL}$	20			40			mA		
Width of write pulse, $t_{w(write)}$ (see Figure 1)	20			20			ns		
Address input setup time, $t_{su}$ (see Figure 1)	0			0			ns		
Operating free-air temperature, $T_A$	-55			125			0	70	°C

### electrical characteristics over recommended operating free-air temperature range (unless otherwise noted)

PARAMETER		TEST CONDITIONS†	SN5481A, SN5484A			SN7481A, SN7484A			UNIT
			MIN	TYP‡	MAX	MIN	TYP‡	MAX	
$V_{IH}$	High-level voltage at any input		2			2			V
$V_{IL}$	Low-level voltage at address inputs	to prevent writing	0.8			0.8			V
		to prevent sensing	1			1			
$V_{IL}$	Low-level voltage at write inputs		0.8			1			V
$V_{IK}$	Input clamp voltage	$V_{CC} = \text{MIN}, I_I = -12 \text{ mA}$	-1.5			-1.5			V
$I_{OH}$	High-level output current	$V_{CC} = \text{MIN}, V_{OH} = 5.5 \text{ V}$	250			250			µA
$V_{OL}$	Low-level output voltage	$V_{CC} = \text{MIN}, I_{OL} = \text{MAX}$	0.4			0.4			V
$I_I$	Input current at maximum input voltage	Write	1			1			mA
		Address	3			3			
$I_{IH}$	High-level input current	Write	40			40			µA
		Address	400			400			
$I_{IL}$	Low-level input current	Write	-1.6			-1.6			mA
		Address	-11			-11			
$I_{CC}$	Supply current	$V_{CC} = \text{MAX}, \text{All inputs at } 0 \text{ V}$	70			65			mA
		$V_{CC} = 5 \text{ V}, \text{ All inputs at } 0 \text{ V}$	45			60			

† For conditions shown as MIN or MAX, use the appropriate value specified under recommended operating conditions.  
 ‡ All typical values are at  $V_{CC} = 5 \text{ V}, T_A = 25^\circ\text{C}$ .

# TYPES SN5481A, SN5484A, SN7481A, SN7484A 16-BIT RANDOM-ACCESS MEMORIES

switching characteristics,  $V_{CC} = 5\text{ V}$ ,  $I_{OL} = \text{MAX}^\dagger$ ,  $T_A = 25^\circ\text{C}$ , see figure 1

PARAMETER §	LOCATION ADDRESSED	TEST CONDITIONS	SN5481A, SN5484A			SN7481A, SN7484A			UNIT
			MIN	TYP	MAX	MIN	TYP	MAX	
$t_{SR}$	X1 - Y1	$C_L = 30\text{ pF}$	13			13			ns
		$C_L = 200\text{ pF}$	18 30			18 30			
$t_{PHL}$	X1 - Y1	$C_L = 30\text{ pF}$	11 19			12 20			ns
		$C_L = 200\text{ pF}$	17 26			18 27			
$t_{PLH}$		$C_L = 30\text{ pF}$	13 20			12 19			
		$C_L = 200\text{ pF}$	27 40			18 27			
$t_{PHL}$	X1 thru X4 and Y1	$C_L = 30\text{ pF}$	10 18			11 19			ns
		$C_L = 200\text{ pF}$	16 25			17 26			
$t_{PLH}$		$C_L = 30\text{ pF}$	13 20			13 20			
		$C_L = 200\text{ pF}$	27 40			19 28			

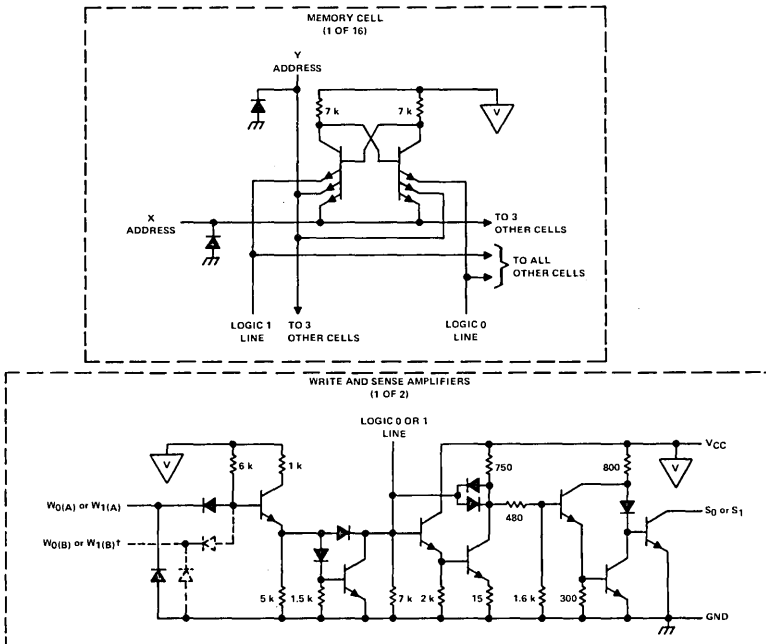
<sup>†</sup>For conditions shown as MIN or MAX, use the appropriate value specified under recommended operating conditions for the applicable device type.

§ $t_{SR}$  ≡ Sense recovery time after writing

<sup>†</sup> $t_{PHL}$  ≡ Propagation delay time, high-to-low-level output

<sup>†</sup> $t_{PLH}$  ≡ Propagation delay time, low-to-high-level output

## schematic



<sup>†</sup> $W_{0(B)}$  and  $W_{1(B)}$  inputs (indicated with dashed lines) are applicable for the SN5484A, SN7484A only.

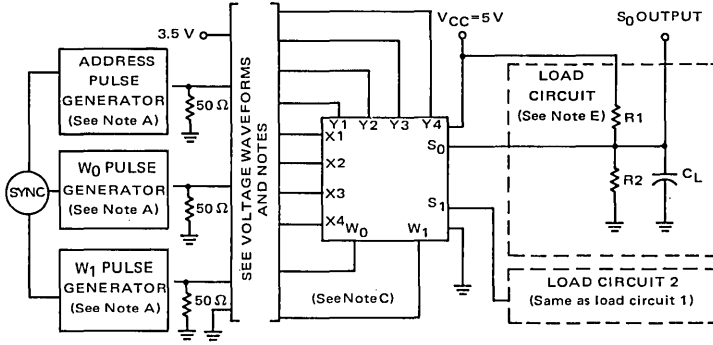
∇ . . .  $V_{CC}$  bus

Resistor values shown are nominal and in ohms.

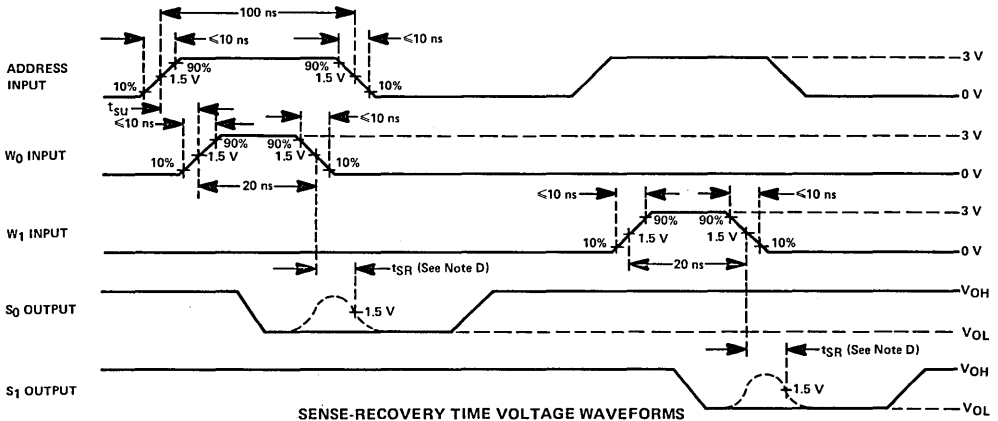


# TYPES SN5481A, SN5484A, SN7481A, SN7484A 16-BIT RANDOM-ACCESS MEMORIES

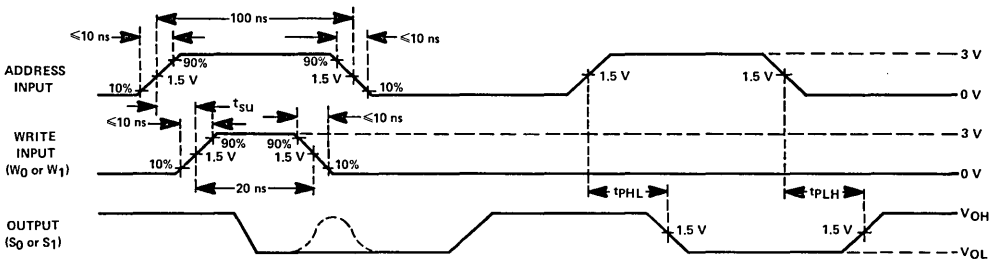
## PARAMETER MEASUREMENT INFORMATION



TEST CIRCUIT



SENSE-RECOVERY TIME VOLTAGE WAVEFORMS



PROPAGATION DELAY TIME VOLTAGE WAVEFORMS

- NOTES: A. The pulse generators have the following characteristics: for the address pulse generator, PRR = 2 MHz; for the  $W_0$  and  $W_1$  pulse generators, PRR = 1 MHz.  
 B.  $C_L$  includes probe and jig capacitance.  
 C. For the SN5484A and SN7484A, unused  $W_0$  and  $W_1$  inputs are at 3.5 V.  
 D.  $t_{SR}$  = sense-recovery time  
 E. For the SN5481A and SN5484A:  $R_1 = 240 \Omega$  and  $R_2 = 560 \Omega$ . For the SN7481A and SN7484A:  $R_1 = 120 \Omega$  and  $R_2 = 330 \Omega$ .

FIGURE 1—SWITCHING CHARACTERISTICS

**TTL  
MSI**

**TYPES SN5482, SN7482  
2-BIT BINARY FULL ADDERS**

BULLETIN NO. DL-S 7211836, DECEMBER 1972

For applications in:

- Digital Computer Systems
- Data-Handling Systems
- Control Systems

logic

FUNCTION TABLE

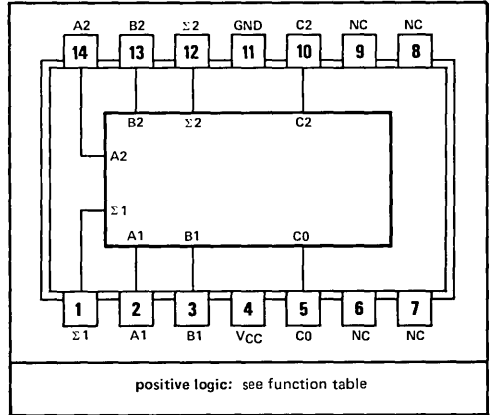
INPUTS				OUTPUTS					
A1	B1	A2	B2	WHEN C0 = L			WHEN C0 = H		
				$\Sigma 1$	$\Sigma 2$	C2	$\Sigma 1$	$\Sigma 2$	C2
L	L	L	L	L	L	L	H	L	L
H	L	L	L	H	L	L	L	H	L
L	H	L	L	H	L	L	L	H	L
H	H	L	L	L	H	L	H	H	L
L	L	H	L	L	H	L	H	H	L
H	L	H	L	H	H	L	L	L	H
L	H	H	L	H	H	L	L	L	H
H	H	H	L	L	L	H	H	L	H
L	L	L	H	L	H	L	H	H	L
H	L	L	H	H	H	L	L	L	H
L	H	L	H	L	H	L	L	L	H
H	H	L	H	L	L	H	H	L	H
L	L	H	H	L	L	H	H	L	H
H	L	H	H	H	L	H	L	H	H
L	H	H	H	H	L	H	L	H	H
H	H	H	H	L	H	H	H	H	H

H = high level, L = low level

**description**

These full adders perform the addition of two 2-bit binary numbers. The sum ( $\Sigma$ ) outputs are provided for each bit and the resultant carry (C2) is obtained from the second bit. Designed for medium-to-high-speed, multiple-bit, parallel-add/serial-carry applications, these circuits utilize high-speed, high-fan-out transistor-transistor logic (TTL) and are compatible with both DTL and TTL logic families. The implementation of a single-inversion, high-speed, Darlington-connected serial-carry circuit within each bit minimizes the necessity for extensive "look-ahead" and carry-cascading circuits.

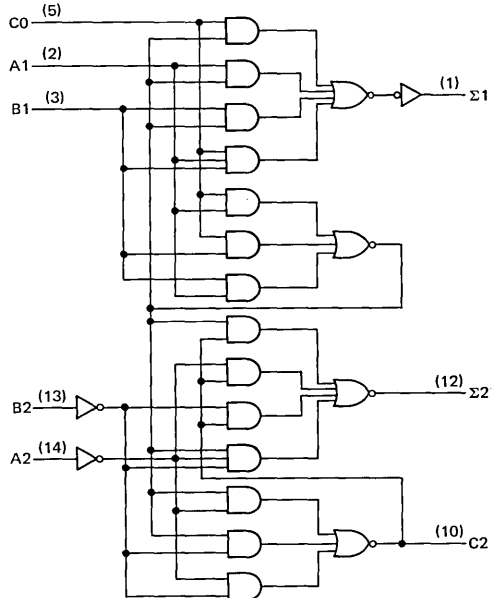
SN5482 ... J OR W PACKAGE  
SN7482 ... J OR N PACKAGE  
(TOP VIEW)



positive logic: see function table

NC—No internal connection

**functional block diagram**



7

# TYPES SN5482, SN7482

## 2-BIT BINARY FULL ADDERS

absolute maximum ratings over operating free-air temperature range (unless otherwise noted)

Supply voltage, $V_{CC}$ (see Note 1)	7 V
Input voltage (see Note 2)	5.5 V
Operating free-air temperature range: SN5482 Circuits	-55°C to 125°C
SN7482 Circuits	0°C to 70°C
Storage temperature range	-65°C to 150°C

- NOTES: 1. Voltage values are with respect to network ground terminal.  
2. Input signals must be zero or positive with respect to network ground terminal.

recommended operating conditions

		SN5482			SN7482			UNIT
		MIN	NOM	MAX	MIN	NOM	MAX	
Supply voltage, $V_{CC}$		4.5	5	5.5	4.75	5	5.25	V
High-level output current, $I_{OH}$	$\Sigma 1$ or $\Sigma 2$	-400			-400			$\mu$ A
	C2	-200			-200			
Low-level output current, $I_{OL}$	$\Sigma 1$ or $\Sigma 2$	16			16			mA
	C2	8			8			
Operating free-air temperature, $T_A$		-55		125	0		70	°C

electrical characteristics over recommended operating free-air temperature range (unless otherwise noted)

PARAMETER		TEST CONDITIONS†		SN5482			SN7482			UNIT
				MIN	TYP‡	MAX	MIN	TYP‡	MAX	
$V_{IH}$	High-level input voltage			2			2			V
$V_{IL}$	Low-level input voltage			0.8			0.8			V
$V_{OH}$	High-level output voltage	$\Sigma 1$ or $\Sigma 2$	$V_{CC} = \text{MIN},$ $V_{IH} = 2 \text{ V},$ $V_{IL} = 0.4 \text{ V}$	$I_{OH} = -400 \mu\text{A}$		2.4	3.4	$I_{OH} = -400 \mu\text{A}$		V
		C2		$I_{OH} = -200 \mu\text{A}$				$I_{OH} = -200 \mu\text{A}$		
$V_{OL}$	Low-level output voltage	$\Sigma 1$ or $\Sigma 2$	$V_{CC} = \text{MIN},$ $V_{IH} = 2 \text{ V},$ $V_{IL} = 0.4 \text{ V}$	$I_{OL} = 16 \text{ mA}$		0.2	0.4	$I_{OL} = 16 \text{ mA}$		V
		C2		$I_{OL} = 8 \text{ mA}$				$I_{OL} = 8 \text{ mA}$		
$I_I$	Input current at maximum input voltage	$V_{CC} = \text{MAX}, V_I = 5.5 \text{ V}$		1			1			mA
$I_{IH}$	High-level input current	A1, B1, or C0	$V_{CC} = \text{MAX}, V_I = 2.4 \text{ V}$	160			160			$\mu$ A
		A2 or B2		40			40			
$I_{IL}$	Low-level input current	A1, B1, or C0	$V_{CC} = \text{MAX}, V_I = 0.4 \text{ V}$	-6.4			-6.4			mA
		A2 or B2		-1.6			-1.6			
$I_{OS}$	Short-circuit output current§	$\Sigma 1$ or $\Sigma 2$	$V_{CC} = \text{MAX}$	-20		-55	-18		-55	mA
		C2		-20			-70			
$I_{CC}$	Supply current	$V_{CC} = \text{MAX},$ See Note 3		35			50			mA

† For conditions shown as MIN or MAX, use the appropriate value specified under recommended operating conditions for the applicable type.

‡ All typical values are at  $V_{CC} = 5 \text{ V}, T_A = 25^\circ\text{C}$ .

§ Not more than one output should be shorted at a time.

NOTE 3:  $I_{CC}$  is measured with outputs open, B1 and B2 grounded, and 4.5 V applied to A1, A2, and C0.

# TYPES SN5482, SN7482

## 2-BIT BINARY FULL ADDERS

switching characteristics,  $V_{CC} = 5\text{ V}$ ,  $T_A = 25^\circ\text{C}$  (see note 4)

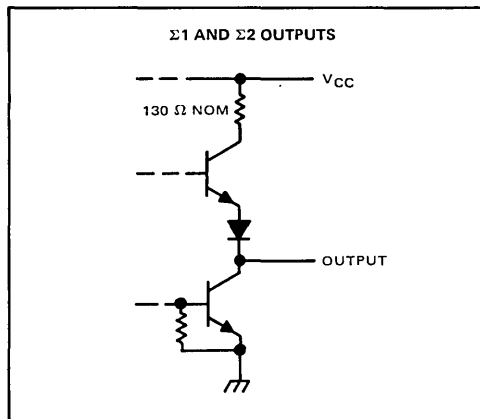
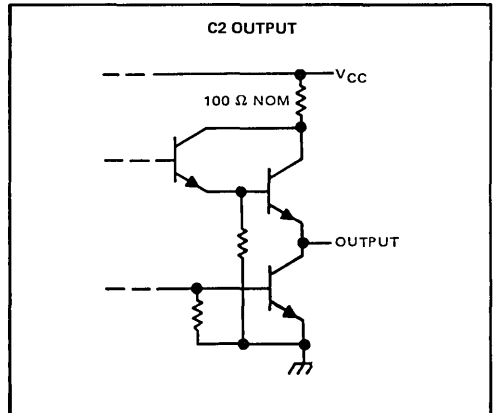
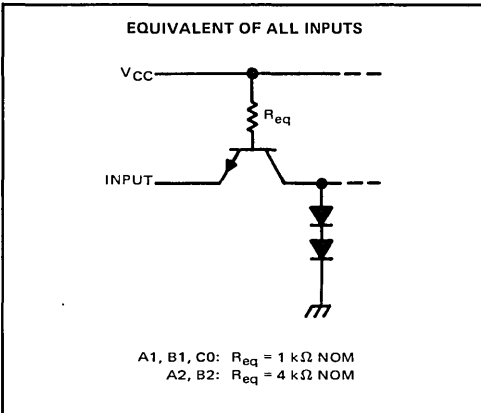
PARAMETER <sup>†</sup>	FROM (INPUT)	TO (OUTPUT)	TEST CONDITIONS	MIN	TYP	MAX	UNIT
$t_{PLH}$	C0	$\Sigma 1$	$C_L = 15\text{ pF}$ , $R_L = 400\ \Omega$			34	ns
$t_{PHL}$						40	
$t_{PLH}$	B2	$\Sigma 2$				40	ns
$t_{PHL}$						35	
$t_{PLH}$	C0	$\Sigma 2$				38	ns
$t_{PHL}$						42	
$t_{PLH}$	C0	C2	$C_L = 15\text{ pF}$ , $R_L = 780\ \Omega$			12	ns
$t_{PHL}$						17	

<sup>†</sup> $t_{PLH}$   $\equiv$  propagation delay time, low-to-high-level output

$t_{PHL}$   $\equiv$  propagation delay time, high-to-low-level output

NOTE 4: Load circuit and voltage waveforms are shown on page 3-10.

### schematics of inputs and outputs



7



**TTL  
MSI**

**TYPES SN5483A, SN54LS83A, SN7483A, SN74LS83A  
4-BIT BINARY FULL ADDERS WITH FAST CARRY**

BULLETIN NO. DL-S 7611853, MARCH 1974—REVISED OCTOBER 1976

- Full-Carry Look-Ahead across the Four Bits
- Systems Achieve Partial Look-Ahead Performance with the Economy of Ripple Carry
- SN54283/SN74283 and SN54LS283/SN74LS283 Are Recommended For New Designs as They Feature Supply Voltage and Ground on Corner Pins to Simplify Board Layout

TYPE	TYPICAL ADD TIMES		TYPICAL POWER DISSIPATION PER 4-BIT ADDER
	TWO 8-BIT WORDS	TWO 16-BIT WORDS	
	'83A	23 ns	
'LS83A	25 ns	45 ns	95 mW

**description**

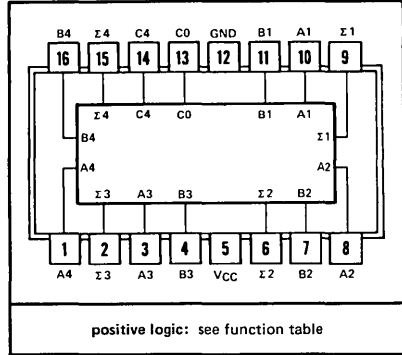
These improved full adders perform the addition of two 4-bit binary numbers. The sum ( $\Sigma$ ) outputs are provided for each bit and the resultant carry ( $C_4$ ) is obtained from the fourth bit. These adders feature full internal look ahead across all four bits generating the carry term in ten nanoseconds typically. This provides the system designer with partial look-ahead performance at the economy and reduced package count of a ripple-carry implementation.

The adder logic, including the carry, is implemented in its true form meaning that the end-around carry can be accomplished without the need for logic or level inversion.

Designed for medium-speed applications, the circuits utilize transistor-transistor logic that is compatible with most other TTL families and other saturated low-level logic families.

Series 54 and 54LS circuits are characterized for operation over the full military temperature range of  $-55^{\circ}\text{C}$  to  $125^{\circ}\text{C}$ , and Series 74 and 74LS circuits are characterized for operation from  $0^{\circ}\text{C}$  to  $70^{\circ}\text{C}$ .

SN5483A, SN54LS83A . . . J OR W PACKAGE  
SN7483A, SN74LS83A . . . J OR N PACKAGE  
(TOP VIEW)



**FUNCTION TABLE**

INPUT								OUTPUT			
								WHEN $C_0 = L$		WHEN $C_0 = H$	
								WHEN $C_2 = L$		WHEN $C_2 = H$	
A1 A3	B1 B3	A2 A4	B2 B4	$\Sigma 1$ $\Sigma 3$	$\Sigma 2$ $\Sigma 4$	$C_2$ $C_4$	$\Sigma 1$ $\Sigma 3$	$\Sigma 2$ $\Sigma 4$	$C_2$ $C_4$		
L	L	L	L	L	L	L	H	L	L		
L	L	L	L	L	L	L	L	L	L		
L	L	L	L	H	L	L	L	H	L		
L	L	L	L	L	H	L	H	H	L		
L	L	H	L	L	H	L	L	H	L		
L	L	H	L	H	H	L	L	L	H		
L	L	H	L	H	H	L	L	L	H		
L	L	H	L	H	H	L	H	L	H		
L	L	H	L	L	L	H	H	L	H		
L	L	H	H	L	L	H	L	H	H		
L	H	L	L	L	L	L	L	L	H		
L	H	L	L	L	L	L	H	L	H		
L	H	L	H	L	L	L	L	L	H		
L	H	L	H	L	L	L	H	L	H		
L	H	L	H	L	L	L	H	L	H		
L	H	L	H	L	L	L	H	L	H		

H = high level, L = low level  
NOTE: Input conditions at A1, B1, A2, B2, and C0 are used to determine outputs  $\Sigma 1$  and  $\Sigma 2$  and the value of the internal carry C2. The values at C2, A3, B3, A4, and B4 are then used to determine outputs  $\Sigma 3$ ,  $\Sigma 4$ , and C4.

**absolute maximum ratings over operating free-air temperature range (unless otherwise noted)**

Supply voltage, $V_{CC}$ (see Note 1)	7 V
Input voltage: '83A	5.5 V
'LS83A	7 V
Interemitter voltage (see Note 2)	5.5 V
Operating free-air temperature range: SN5483A, SN54LS83A	$-55^{\circ}\text{C}$ to $125^{\circ}\text{C}$
SN7483A, SN74LS83A	$0^{\circ}\text{C}$ to $70^{\circ}\text{C}$
Storage temperature range	$-65^{\circ}\text{C}$ to $150^{\circ}\text{C}$

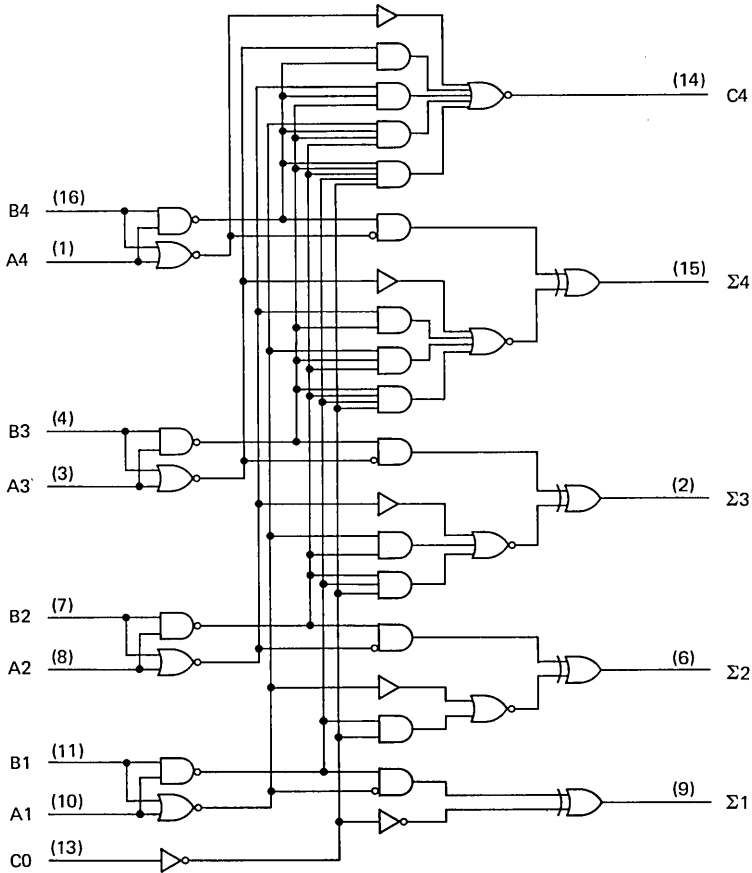
- NOTES: 1. Voltage values, except interemitter voltage, are with respect to network ground terminal.  
2. This is the voltage between two emitters of a multiple-emitter transistor. This rating applies for the '83A only between the following pairs: A1 and B1, A2 and B2, A3 and B3, A4 and B4.

# TYPES SN5483A, SN54LS83A, SN7483A, SN74LS83A

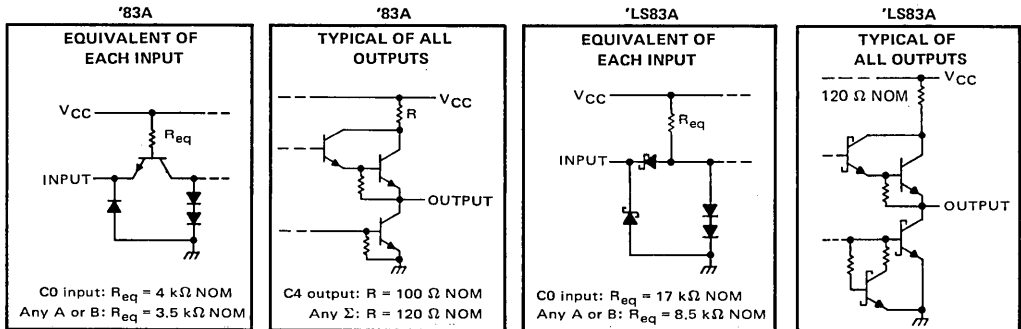
## 4-BIT BINARY FULL ADDERS WITH FAST CARRY

REVISED OCTOBER 1976

functional block diagram



schematics of inputs and outputs



# TYPES SN5483A, SN7483A

## 4-BIT BINARY FULL ADDERS WITH FAST CARRY

### recommended operating conditions

		SN5483A			SN7483A			UNIT
		MIN	NOM	MAX	MIN	NOM	MAX	
Supply Voltage, $V_{CC}$		4.5	5	5.5	4.75	5	5.25	V
High-level output current, $I_{OH}$	Any output except C4	-800			-800			$\mu$ A
	Output C4	-400			-400			
Low-level output current, $I_{OL}$	Any output except C4	16			16			mA
	Output C4	8			8			
Operating free-air temperature, $T_A$		-55		125	0		70	$^{\circ}$ C

### electrical characteristics over recommended operating free-air temperature range (unless otherwise noted)

PARAMETER		TEST CONDITIONS <sup>†</sup>	SN5483A			SN7483A			UNIT
			MIN	TYP <sup>‡</sup>	MAX	MIN	TYP <sup>‡</sup>	MAX	
$V_{IH}$	High-level input voltage		2			2			V
$V_{IL}$	Low-level input voltage		0.8			0.8			V
$V_{IK}$	Input clamp voltage	$V_{CC} = \text{MIN}, I_I = -12 \text{ mA}$	-1.5			-1.5			V
$V_{OH}$	High-level output voltage	$V_{CC} = \text{MIN}, V_{IH} = 2 \text{ V}, V_{IL} = 0.8 \text{ V}, I_{OH} = \text{MAX}$	2.4	3.4		2.4	3.4		V
$V_{OL}$	Low-level output voltage	$V_{CC} = \text{MIN}, V_{IH} = 2 \text{ V}, V_{IL} = 0.8 \text{ V}, I_{OL} = \text{MAX}$	0.2	0.4		0.2	0.4		V
$I_I$	Input current at maximum input voltage	$V_{CC} = \text{MAX}, V_I = 5.5 \text{ V}$	1			1			mA
$I_{IH}$	High-level input current	$V_{CC} = \text{MAX}, V_I = 2.4 \text{ V}$	40			40			$\mu$ A
$I_{IL}$	Low-level input current	$V_{CC} = \text{MAX}, V_I = 0.4 \text{ V}$	-1.6			-1.6			mA
$I_{OS}$	Short-circuit output current <sup>§</sup>	Any output except C4	-20			-18			mA
		Output C4	-20			-70			
$I_{CC}$	Supply current	$V_{CC} = \text{MAX},$ Outputs open	All B low, other inputs at 4.5 V			56			mA
			All inputs at 4.5 V			66	99	66	

<sup>†</sup> For conditions shown as MIN or MAX, use the appropriate value specified under recommended operating conditions.

<sup>‡</sup> All typical values are at  $V_{CC} = 5 \text{ V}, T_A = 25^{\circ}\text{C}$ .

<sup>§</sup> Only one output should be shorted at a time.

### switching characteristics, $V_{CC} = 5 \text{ V}, T_A = 25^{\circ}\text{C}$

PARAMETER <sup>¶</sup>	FROM (INPUT)	TO (OUTPUT)	TEST CONDITIONS	MIN	TYP	MAX	UNIT
$t_{PLH}$	C0	Any $\Sigma$	$C_L = 15 \text{ pF}, R_L = 400 \Omega,$ See Note 3	14		21	ns
$t_{PHL}$				12		21	
$t_{PLH}$	$A_i$ or $B_i$	$\Sigma_i$		16		24	ns
$t_{PHL}$				16		24	
$t_{PLH}$	C0	C4	$C_L = 15 \text{ pF}, R_L = 780 \Omega,$ See Note 3	9		14	ns
$t_{PHL}$				11		16	
$t_{PLH}$	$A_i$ or $B_i$	C4		9		14	ns
$t_{PHL}$				11		16	

<sup>¶</sup>  $t_{PLH}$   $\equiv$  Propagation delay time, low-to-high-level output

$t_{PHL}$   $\equiv$  Propagation delay time, high-to-low-level output

NOTE 3: Load circuit and voltage waveforms are shown on page 3-10.



# TYPES SN54LS83A, SN74LS83A

## 4-BIT BINARY FULL ADDERS WITH FAST CARRY

REVISED OCTOBER 1976

### recommended operating conditions

	SN54LS83A			SN74LS83A			UNIT
	MIN	NOM	MAX	MIN	NOM	MAX	
Supply voltage, $V_{CC}$	4.5	5	5.5	4.75	5	5.25	V
High-level output current, $I_{OH}$	-400			-400			$\mu$ A
Low-level output current, $I_{OL}$	4			8			mA
Operating free-air temperature, $T_A$	-55	125		0	70		$^{\circ}$ C

### electrical characteristics over recommended operating free-air temperature range (unless otherwise noted)

PARAMETER		TEST CONDITIONS†	SN54LS83A		SN74LS83A		UNIT	
			MIN	TYP‡	MAX	MIN		TYP‡
$V_{IH}$	High-level input voltage		2		2		V	
$V_{IL}$	Low-level input voltage		0.7		0.8		V	
$V_{IK}$	Input clamp voltage	$V_{CC} = \text{MIN}, I_I = -18 \text{ mA}$	-1.5		-1.5		V	
$V_{OH}$	High-level output voltage	$V_{CC} = \text{MIN}, V_{IH} = 2 \text{ V}, V_{IL} = V_{IL \text{ max}}, I_{OH} = -400 \mu\text{A}$	2.5	3.4	2.7	3.4	V	
$V_{OL}$	Low-level output voltage	$V_{CC} = \text{MIN}, V_{IH} = 2 \text{ V}, V_{IL} = V_{IL \text{ max}}$	0.25 0.4		0.25 0.4		V	
$I_I$	Input current at maximum input voltage	Any A or B	0.2		0.2		mA	
		C0	0.1		0.1			
$I_{IH}$	High-level input current	$V_{CC} = \text{MAX}, V_I = 2.7 \text{ V}$	40		40		$\mu$ A	
$I_{IL}$	Low-level input current	Any A or B	-0.8		-0.8		mA	
		C0	-0.4		-0.4			
$I_{OS}$	Short-circuit output current §	$V_{CC} = \text{MAX}$	-20	-100	-20	-100	mA	
$I_{CC}$	Supply current	$V_{CC} = \text{MAX},$ Outputs open	All inputs grounded	22	39	22	39	mA
			All B low, other inputs at 4.5 V	19	34	19	34	
			All inputs at 4.5 V	19	34	19	34	

† For conditions shown as MIN or MAX, use the appropriate value specified under recommended operating conditions.

‡ All typical values are at  $V_{CC} = 5 \text{ V}, T_A = 25^{\circ}\text{C}$ .

§ Only one output should be shorted at a time, and duration of the short-circuit should not exceed one second.

### switching characteristics, $V_{CC} = 5 \text{ V}, T_A = 25^{\circ}\text{C}$

PARAMETER¶	FROM (INPUT)	TO (OUTPUT)	TEST CONDITIONS		MIN	TYP	MAX	UNIT
$t_{PLH}$	C0	Any $\Sigma$	$C_L = 15 \text{ pF},$ See Note 4	$R_L = 2 \text{ k}\Omega,$	16	24	ns	
$t_{PHL}$					15	24		
$t_{PLH}$	$A_i$ or $B_i$	$\Sigma_i$			15	24	ns	
$t_{PHL}$					15	24		
$t_{PLH}$	C0	C4			11	17	ns	
$t_{PHL}$					15	22		
$t_{PLH}$	$A_i$ or $B_i$	C4			11	17	ns	
$t_{PHL}$					12	17		

¶  $t_{PLH} \equiv$  Propagation delay time, low-to-high-level output

$t_{PHL} \equiv$  Propagation delay time, high-to-low-level output

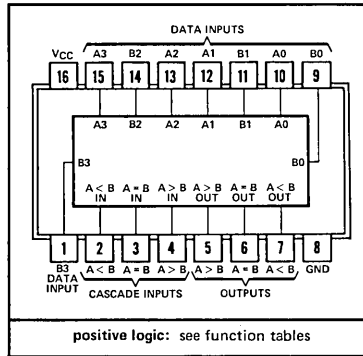
Note 4: Load circuit and voltage waveforms are shown on page 3-11.

TTL  
MSI

# TYPES SN5485, SN54L85, SN54LS85, SN54S85, SN7485, SN74L85, SN74LS85, SN74S85 4-BIT MAGNITUDE COMPARATORS

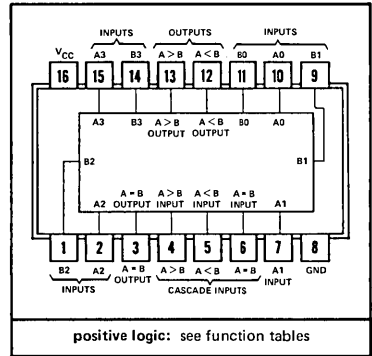
BULLETIN NO. DL-S 7611810, MARCH 1974—REVISED OCTOBER 1976

SN5485, SN54LS85, SN54S85 . . . J OR W PACKAGE  
SN7485, SN74LS85, SN74S85 . . . J OR N PACKAGE  
(TOP VIEW)



positive logic: see function tables

SN54L85 . . . J PACKAGE  
SN74L85 . . . J OR N PACKAGE  
(TOP VIEW)



positive logic: see function tables

TYPE	TYPICAL POWER DISSI- PATION	TYPICAL DELAY (4-BIT WORDS)
'85	275 mW	23 ns
'L85	20 mW	90 ns
'LS85	52 mW	24 ns
'S85	365 mW	11 ns

description

These four-bit magnitude comparators perform comparison of straight binary and straight BCD (8-4-2-1) codes. Three fully decoded decisions about two 4-bit words (A, B) are made and are externally available at three outputs. These devices are fully expandable to any number of bits without external gates. Words of greater length may be compared by connecting comparators in cascade. The  $A > B$ ,  $A < B$ , and  $A = B$  outputs of a stage handling less-significant bits are connected to the corresponding  $A > B$ ,  $A < B$ , and  $A = B$  inputs of the next stage handling more-significant bits. The stage handling the least-significant bits must have a high-level voltage applied to the  $A = B$  input and in addition for the 'L85, low-level voltages applied to the  $A > B$  and  $A < B$  inputs. The cascading paths of the '85, 'LS85, and 'S85 are implemented with only a two-gate-level delay to reduce overall comparison times for long words. An alternate method of cascading which further reduces the comparison time is shown in the typical application data.

FUNCTION TABLES

COMPARING INPUTS				CASCADING INPUTS			OUTPUTS		
A3, B3	A2, B2	A1, B1	A0, B0	A > B	A < B	A = B	A > B	A < B	A = B
A3 > B3	X	X	X	X	X	X	H	L	L
A3 < B3	X	X	X	X	X	X	L	H	L
A3 = B3	A2 > B2	X	X	X	X	X	H	L	L
A3 = B3	A2 < B2	X	X	X	X	X	L	H	L
A3 = B3	A2 = B2	A1 > B1	X	X	X	X	H	L	L
A3 = B3	A2 = B2	A1 < B1	X	X	X	X	L	H	L
A3 = B3	A2 = B2	A1 = B1	A0 > B0	X	X	X	H	L	L
A3 = B3	A2 = B2	A1 = B1	A0 < B0	X	X	X	L	H	L
A3 = B3	A2 = B2	A1 = B1	A0 = B0	H	L	L	H	L	L
A3 = B3	A2 = B2	A1 = B1	A0 = B0	L	H	L	L	H	L
A3 = B3	A2 = B2	A1 = B1	A0 = B0	L	L	H	L	L	H

'85, 'LS85, 'S85

A3 = B3	A2 = B2	A1 = B1	A0 = B0	X	X	H	L	L	H
A3 = B3	A2 = B2	A1 = B1	A0 = B0	H	H	L	L	L	L
A3 = B3	A2 = B2	A1 = B1	A0 = B0	L	L	L	H	H	L

'L85

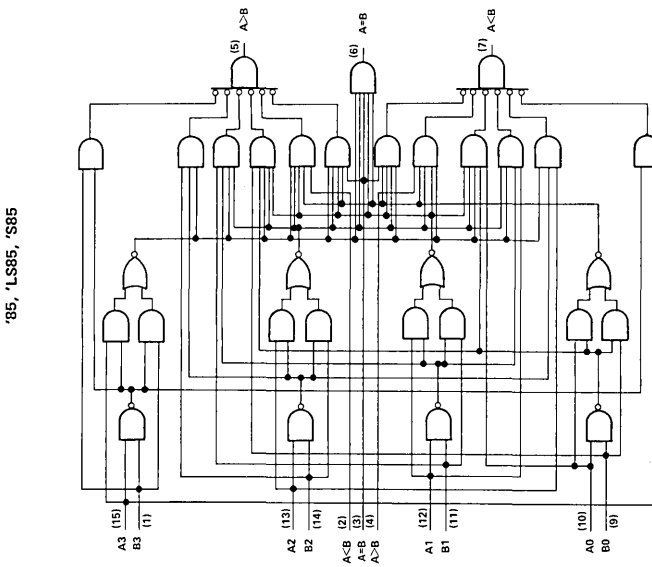
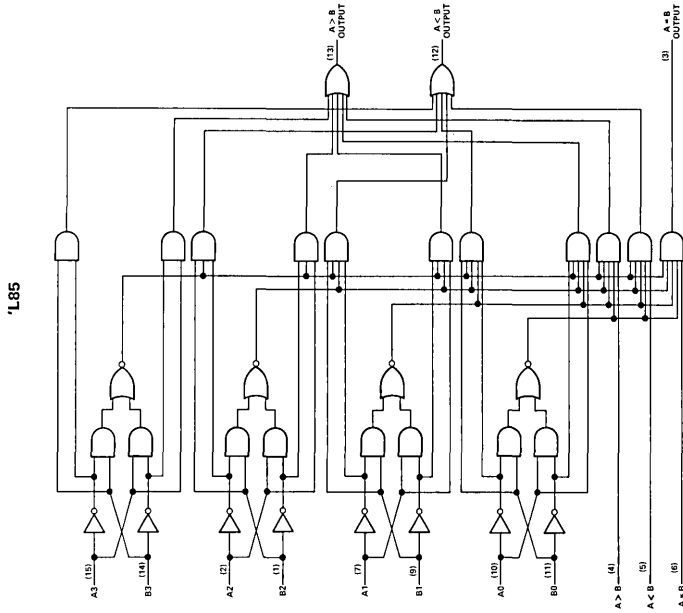
A3 = B3	A2 = B2	A1 = B1	A0 = B0	L	H	H	L	H	H
A3 = B3	A2 = B2	A1 = B1	A0 = B0	H	L	H	H	L	H
A3 = B3	A2 = B2	A1 = B1	A0 = B0	H	H	H	H	H	H
A3 = B3	A2 = B2	A1 = B1	A0 = B0	H	H	L	H	H	L
A3 = B3	A2 = B2	A1 = B1	A0 = B0	L	L	L	L	L	L

H = high level, L = low level, X = irrelevant

7

**TYPES SN5485, SN54L85, SN54LS85, SN54S85,  
SN7485, SN74L85, SN74LS85, SN74S85  
4-BIT MAGNITUDE COMPARATORS**

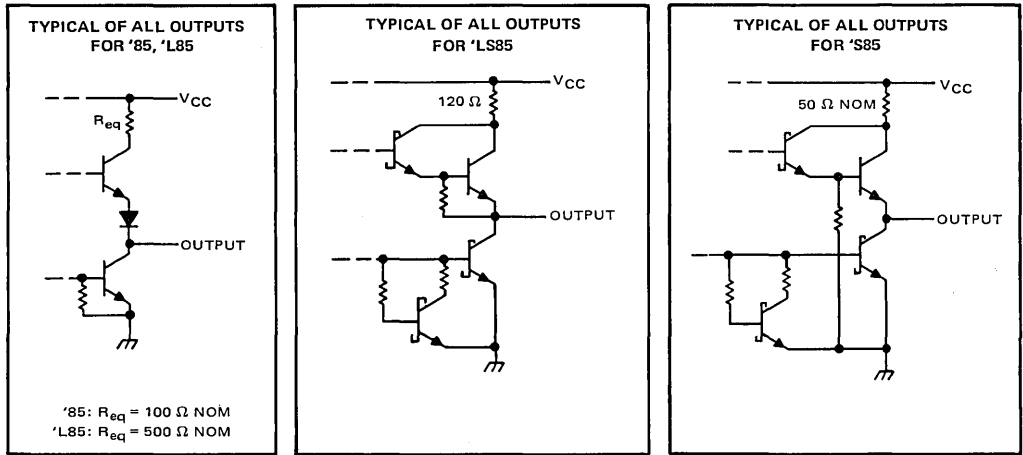
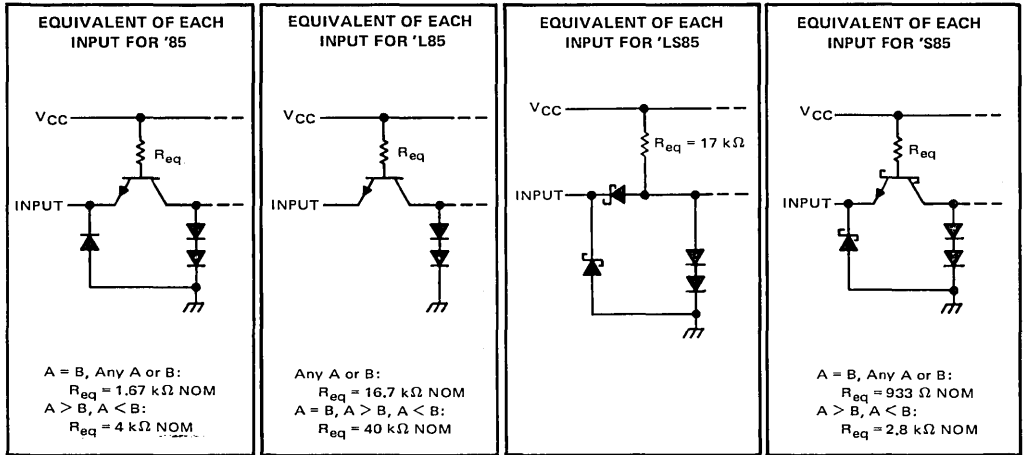
functional block diagrams



7

# TYPES SN5485, SN54L85, SN54LS85, SN54S85, SN7485, SN74L85, SN74LS85, SN74S85 4-BIT MAGNITUDE COMPARATORS

## schematics of inputs and outputs



### absolute maximum ratings over operating free-air temperature range (unless otherwise noted)

	SN54' SN54S'	SN54L'	SN54LS'	SN74' SN74S'	SN74L'	SN74LS'	UNIT
Supply voltage, $V_{CC}$ (see Note 1)	7	8	7	7	8	7	V
Input voltage (see Note 2)	5.5	5.5	7	5.5	5.5	7	V
Intermitter voltage (see Note 3)	5.5			5.5			V
Operating free-air temperature range	-55 to 125			0 to 70			°C
Storage temperature range	-65 to 150			-65 to 150			°C

- NOTES: 1. Voltage values, except intermitter voltage, are with respect to network ground terminal.  
 2. Input voltages for 'L85 must be zero or positive with respect to network ground terminal.  
 3. This is the voltage between two emitters of a multiple-emitter input transistor. This rating applies to each A input in conjunction with its respective B input of the '85 and 'S85.

# TYPES SN5485, SN7485

## 4-BIT MAGNITUDE COMPARATORS

### recommended operating conditions

	SN5485			SN7485			UNIT
	MIN	NOM	MAX	MIN	NOM	MAX	
Supply voltage, $V_{CC}$	4.5	5	5.5	4.75	5	5.25	V
High-level output current, $I_{OH}$	-400			-400			$\mu$ A
Low-level output current, $I_{OL}$	16			16			mA
Operating free-air temperature, $T_A$	-55		125	0		70	$^{\circ}$ C

### electrical characteristics over recommended operating free-air temperature range (unless otherwise noted)

PARAMETER		TEST CONDITIONS <sup>†</sup>		MIN	TYP <sup>‡</sup>	MAX	UNIT
$V_{IH}$	High-level input voltage			2			V
$V_{IL}$	Low-level input voltage				0.8		V
$V_{IK}$	Input clamp voltage	$V_{CC} = \text{MIN}$ ,	$I_I = -12 \text{ mA}$			-1.5	V
$V_{OH}$	High-level output voltage	$V_{CC} = \text{MIN}$ , $V_{IL} = 0.8 \text{ V}$ ,	$V_{IH} = 2 \text{ V}$ , $I_{OH} = -400 \mu\text{A}$	2.4	3.4		V
$V_{OL}$	Low-level output voltage	$V_{CC} = \text{MIN}$ , $V_{IL} = 0.8 \text{ V}$ ,	$V_{IH} = 2 \text{ V}$ , $I_{OL} = 16 \text{ mA}$		0.2	0.4	V
$I_I$	Input current at maximum input voltage	$V_{CC} = \text{MAX}$ , $V_I = 5.5 \text{ V}$				1	mA
$I_{IH}$	High-level input current	A < B, A > B inputs	$V_{CC} = \text{MAX}$ , $V_I = 2.4 \text{ V}$			40	$\mu$ A
		all other inputs				120	
$I_{IL}$	Low-level input current	A < B, A > B inputs	$V_{CC} = \text{MAX}$ , $V_I = 0.4 \text{ V}$			-1.6	mA
		all other inputs				-4.8	
$I_{OS}$	Short-circuit output current <sup>§</sup>	$V_{CC} = \text{MAX}$ , $V_O = 0$		SN5485	-20	-55	mA
$I_{CC}$	Supply current	$V_{CC} = \text{MAX}$ , See Note 4		SN7485	-18	-55	mA
					55	88	mA

<sup>†</sup> For conditions shown as MIN or MAX, use the appropriate value specified under recommended operating conditions.

<sup>‡</sup> All typical values are at  $V_{CC} = 5 \text{ V}$ ,  $T_A = 25^{\circ}\text{C}$ .

<sup>§</sup> Not more than one output should be shorted at a time.

NOTE 4:  $I_{CC}$  is measured with outputs open, A = B grounded, and all other inputs at 4.5 V.

### switching characteristics, $V_{CC} = 5 \text{ V}$ , $T_A = 25^{\circ}\text{C}$

PARAMETER <sup>¶</sup>	FROM INPUT	TO OUTPUT	NUMBER OF GATE LEVELS	TEST CONDITIONS	MIN	TYP	MAX	UNIT
$t_{PLH}$	Any A or B data input	A < B, A > B	1	$C_L = 15 \text{ pF}$ , $R_L = 400 \Omega$ , See Note 5		7		ns
			2			12		
		3			17	26		
		4			23	35		
$t_{PHL}$	Any A or B data input	A < B, A > B	1			11		ns
			2			15		
		3			20	30		
		4			20	30		
$t_{PLH}$	A < B or A = B	A > B	1			7	11	ns
$t_{PHL}$	A < B or A = B	A > B	1			11	17	ns
$t_{PLH}$	A = B	A = B	2		13	20	ns	
$t_{PHL}$	A = B	A = B	2		11	17	ns	
$t_{PLH}$	A > B or A = B	A < B	1		7	11	ns	
$t_{PHL}$	A > B or A = B	A < B	1		11	17	ns	

<sup>¶</sup>  $t_{PLH}$  = propagation delay time, low-to-high-level output

$t_{PHL}$  = propagation delay time, high-to-low-level output.

NOTE 5: Load circuit and voltage waveforms are shown on page 3-10.

# TYPES SN54L85, SN74L85

## 4-BIT MAGNITUDE COMPARATORS

### recommended operating conditions

	SN54L85			SN74L85			UNIT
	MIN	NOM	MAX	MIN	NOM	MAX	
Supply voltage, $V_{CC}$	4.5	5	5.5	4.75	5	5.25	V
High-level output current, $I_{OH}$	-100			-200			$\mu$ A
Low-level output current, $I_{OL}$	2			3.6			mA
Operating free-air temperature, $T_A$	-55		125	0		70	$^{\circ}$ C

### electrical characteristics over recommended operating free-air temperature range (unless otherwise noted)

PARAMETER		TEST CONDITIONS <sup>†</sup>	MIN	TYP <sup>‡</sup>	MAX	UNIT
$V_{IH}$	High-level input voltage		2			V
$V_{IL}$	Low-level input voltage				0.7	V
$V_{OH}$	High-level output voltage	$V_{CC} = \text{MIN}, V_{IH} = 2 \text{ V}, V_{IL} = 0.7 \text{ V}, I_{OH} = \text{MAX}$	SN54L85 2.4	3.3		V
$V_{OL}$	Low-level output voltage	$V_{CC} = \text{MIN}, V_{IH} = 2 \text{ V}, V_{IL} = 0.7 \text{ V}, I_{OL} = \text{MAX}$	SN54L85 0.15	0.3		V
$I_I$	Input current at maximum input voltage	$A < B, A > B, \text{ or } A = B$ A or B inputs	$V_{CC} = \text{MAX}, V_I = 5.5 \text{ V}$		100	$\mu$ A
					300	
$I_{IH}$	High-level input current	$A < B, A < B, \text{ or } A = B$ A or B inputs	$V_{CC} = \text{MAX}, V_I = 2.4 \text{ V}$		10	$\mu$ A
					30	
$I_{IL}$	Low-level input current	$A < B, A > B, \text{ or } A = B$ A or B inputs	$V_{CC} = \text{MAX}, V_I = 0.3 \text{ V}$		-0.18	mA
					-0.54	
$I_{OS}$	Short-circuit output current <sup>§</sup>	$V_{CC} = \text{MAX}$	-3	-15		mA
$I_{CC}$	Supply current	$V_{CC} = \text{MAX}, \text{ See Note 6}$	Condition A	4.0	7.7	mA
			Condition B	3.2	7.2	

<sup>†</sup>for conditions shown as MIN or MAX, use the appropriate value specified under recommended operating conditions.

<sup>‡</sup>All typical values are at  $V_{CC} = 5 \text{ V}, T_A = 25^{\circ}\text{C}$ .

<sup>§</sup>Not more than one output should be shorted at a time.

NOTE 6: With all outputs open,  $I_{CC}$  is measured for Condition A with all inputs at 4.5 V, and for Condition B with all inputs grounded.

### switching characteristics, $V_{CC} = 5 \text{ V}, T_A = 25^{\circ}\text{C}$

PARAMETER <sup>¶</sup>	FROM (INPUT)	TO (OUTPUT)	TEST CONDITIONS	MIN	TYP	MAX	UNIT
$t_{PLH}$	Any A or B	Any	$C_L = 50 \text{ pF}, R_L = 4 \text{ k}\Omega,$ See Note 7	90	150	ns	
$t_{PHL}$				75	150		
$t_{PLH}$	A > B, A < B, or A = B	Any		75	150	ns	
$t_{PHL}$				55	100		

<sup>¶</sup> $t_{PLH}$  = propagation delay time, low-to-high-level output

$t_{PHL}$  = propagation delay time, high-to-low-level output

NOTE 7: Load circuit and voltage waveforms are shown on page 3-11.

7

# TYPES SN54LS85, SN74LS85

## 4-BIT MAGNITUDE COMPARATORS

REVISED DECEMBER 1980

### recommended operating conditions

	SN54LS85			SN74LS85			UNIT
	MIN	NOM	MAX	MIN	NOM	MAX	
Supply voltage, $V_{CC}$	4.5	5	5.5	4.75	5	5.25	V
High-level output current, $I_{OH}$	-400			-400			$\mu$ A
Low-level output current, $I_{OL}$	4			8			mA
Operating free-air temperature, $T_A$	-55			0			70 °C

### electrical characteristics over recommended operating free-air temperature range (unless otherwise noted)

PARAMETER		TEST CONDITIONS†	SN54LS85			SN74LS85			UNIT
			MIN	TYP‡	MAX	MIN	TYP‡	MAX	
$V_{IH}$	High-level input voltage		2			2			V
$V_{IL}$	Low-level input voltage		0.7			0.7			V
$V_{IK}$	Input clamp voltage	$V_{CC} = \text{MIN}, I_I = -18 \text{ mA}$	-1.5			-1.5			V
$V_{OH}$	High-level output voltage	$V_{CC} = \text{MIN}, V_{IH} = 2 \text{ V}, V_{IL} = V_{IL \text{ max}}, I_{OH} = -400 \mu\text{A}$	2.5	3.4		2.7	3.4		V
$V_{OL}$	Low-level output voltage	$V_{CC} = \text{MIN}, V_{IH} = 2 \text{ V}, V_{IL} = V_{IL \text{ max}}$	$I_{OL} = 4 \text{ mA}$		0.25	0.4	0.25	0.4	V
			$I_{OL} = 8 \text{ mA}$		0.35		0.5		
$I_I$	Input current at maximum input voltage	A < B, A > B inputs	0.1			0.1			mA
		all other inputs	0.3			0.3			
$I_{IH}$	High-level input current	A < B, A > B inputs	20			20			$\mu$ A
		all other inputs	60			60			
$I_{IL}$	Low-level input current	A < B, A > B inputs	-0.4			-0.4			mA
		all other inputs	-1.2			-1.2			
$I_{OS}$	Short-circuit output current‡	$V_{CC} = \text{MAX}$	-20	-100		-20	-100	mA	
$I_{CC}$	Supply current	$V_{CC} = \text{MAX},$ See Note 4	10.4			10.4			20 mA

† For conditions shown as MIN or MAX, use the appropriate value specified under recommended operating conditions.

‡ All typical values are at  $V_{CC} = 5 \text{ V}, T_A = 25^\circ\text{C}$ .

§ Not more than one output should be shorted at a time, and duration of the short-circuit should not exceed one second.

NOTE 4:  $I_{CC}$  is measured with outputs open, A = B grounded, and all other inputs at 4.5 V.

### switching characteristics, $V_{CC} = 5 \text{ V}, T_A = 25^\circ\text{C}$

PARAMETER¶	FROM INPUT	TO OUTPUT	NUMBER OF GATE LEVELS	TEST CONDITIONS	MIN	TYP	MAX	UNIT
$t_{PLH}$	Any A or B data input	A < B, A > B	1	$C_L = 15 \text{ pF}, R_L = 2 \text{ k}\Omega,$ See Note 7	14			ns
			2		19			
		3	24		36			
		4	27		45			
$t_{PHL}$	Any A or B data input	A < B, A > B	1		11			ns
			2		15			
		3	20		30			
		4	23		45			
$t_{PLH}$	A < B or A = B	A > B	1		14	22		ns
$t_{PHL}$	A < B or A = B	A > B	1		11	17		ns
$t_{PLH}$	A = B	A = B	2		13	20		ns
$t_{PHL}$	A = B	A = B	2		13	26		ns
$t_{PLH}$	A > B or A = B	A < B	1	14	22		ns	
$t_{PHL}$	A > B or A = B	A < B	1	11	17		ns	

¶  $t_{PLH}$  = propagation delay time, low-to-high-level output

¶  $t_{PHL}$  = propagation delay time, high-to-low-level output

NOTE 7: Load circuit and voltage waveforms are shown on page 3-11.

# TYPES SN54S85, SN74S85 4-BIT MAGNITUDE COMPARATORS

## recommended operating conditions

	SN54S85			SN74S85			UNIT
	MIN	NOM	MAX	MIN	NOM	MAX	
Supply voltage, $V_{CC}$	4.5	5	5.5	4.75	5	5.25	V
High-level output current, $I_{OH}$			-1			-1	mA
Low-level output current, $I_{OL}$			20			20	mA
Operating free-air temperature, $T_A$	-55		125	0		70	°C

## electrical characteristics over recommended operating free-air temperature range (unless otherwise noted)

PARAMETER		TEST CONDITIONS†	MIN	TYP‡	MAX	UNIT
$V_{IH}$	High-level input voltage			2		V
$V_{IL}$	Low-level input voltage				0.8	V
$V_{IK}$	Input clamp voltage	$V_{CC} = \text{MIN}, I_I = -18 \text{ mA}$			-1.2	V
$V_{OH}$	High-level output voltage	$V_{CC} = \text{MIN}, V_{IH} = 2 \text{ V},$ $V_{IL} = 0.8 \text{ V}, I_{OH} = -1 \text{ mA}$		2.5	3.4	V
				2.7	3.4	
$V_{OL}$	Low-level output voltage	$V_{CC} = \text{MIN}, V_{IH} = 2 \text{ V},$ $V_{IL} = 0.8 \text{ V}, I_{OL} = 20 \text{ mA}$			0.5	V
$I_I$	Input current at maximum input voltage	$V_{CC} = \text{MAX}, V_I = 5.5 \text{ V}$			1	mA
$I_{IH}$	High-level input current	$V_{CC} = \text{MAX}, V_I = 2.7 \text{ V}$	A < B, A > B inputs		50	$\mu\text{A}$
			all other inputs		150	
$I_{IL}$	Low-level input current	$V_{CC} = \text{MAX}, V_I = 0.5 \text{ V}$	A < B, A > B inputs		-2	mA
			all other inputs		-6	
$I_{OS}$	Short-circuit output current§	$V_{CC} = \text{MAX}$	-40		-100	mA
$I_{CC}$	Supply current	$V_{CC} = \text{MAX},$ See Note 4		73	115	mA
		$V_{CC} = \text{MAX}, T_A = 125^\circ\text{C},$ See Note 4	SN54S85W		110	

† For conditions shown as MIN or MAX, use the appropriate value specified under recommended operating conditions.

‡ All typical values are at  $V_{CC} = 5 \text{ V}, T_A = 25^\circ\text{C}$ .

§ Not more than one output should be shorted at a time, and duration of the short-circuit should not exceed one second.

NOTE 4:  $I_{CC}$  is measured with outputs open, A = B grounded, and all other inputs at 4.5 V.

## switching characteristics, $V_{CC} = 5 \text{ V}, T_A = 25^\circ\text{C}$

PARAMETER¶	FROM INPUT	TO OUTPUT	NUMBER OF GATE LEVELS	TEST CONDITIONS	MIN	TYP	MAX	UNIT
$t_{PLH}$	Any A or B data input	A < B, A > B	1	$C_L = 15 \text{ pF},$ $R_L = 280 \Omega,$ See Note 5		5		ns
			2			7.5		
			3			10.5	16	
			4			12	18	
$t_{PHL}$	Any A or B data input	A < B, A > B	1			5.5		ns
			2			7		
			3			11	16.5	
			4			11	16.5	
$t_{PLH}$	A < B or A = B	A > B	1			5	7.5	ns
$t_{PHL}$	A < B or A = B	A > B	1			5.5	8.5	ns
$t_{PLH}$	A = B	A = B	2		7	10.5	ns	
$t_{PHL}$	A = B	A = B	2		5	7.5	ns	
$t_{PLH}$	A > B or A = B	A < B	1		5	7.5	ns	
$t_{PHL}$	A > B or A = B	A < B	1		5.5	8.5	ns	

¶  $t_{PLH}$  = propagation delay time, low-to-high-level output

$t_{PHL}$  = propagation delay time, high-to-low-level output

NOTE 5: Load circuit and voltage waveforms are shown on page 3-10.



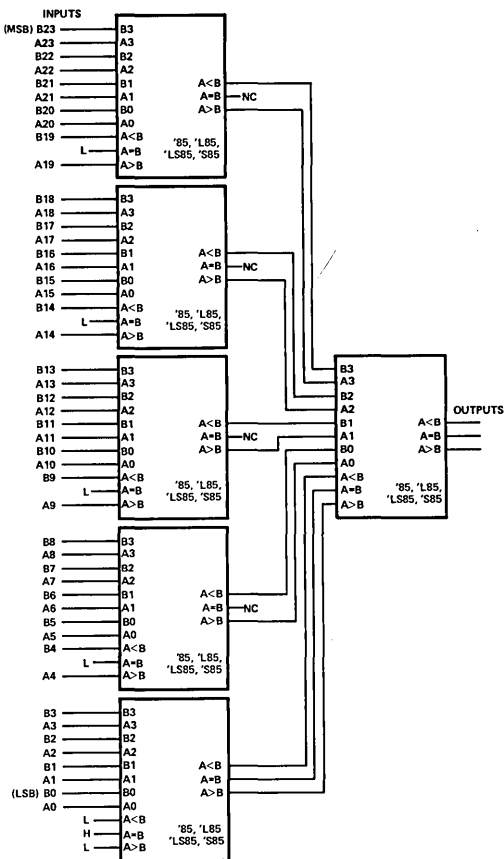
# TYPES SN5485, SN54L85, SN54LS85, SN54S85, SN7485, SN74L85, SN74LS85, SN74S85 4-BIT MAGNITUDE COMPARATORS

## TYPICAL APPLICATION DATA

### COMPARISON OF TWO N-BIT WORDS

This application demonstrates how these magnitude comparators can be cascaded to compare longer words. The example illustrated shows the comparison of two 24-bit words; however, the design is expandable to n-bits. As an example, one comparator can be used with five of the 24-bit comparators illustrated to expand the word length to 120-bits. Typical comparison times for various word lengths using the '85, 'L85, 'LS85, or 'S85 are:

WORD LENGTH	NUMBER OF PKGS	'85	'L85	'LS85	'S85
1-4 bits	1	23 ns	90 ns	24 ns	11 ns
5-24 bits	2-6	46 ns	180 ns	48 ns	22 ns
25-120 bits	8-31	69 ns	270 ns	72 ns	33 ns



COMPARISON OF TWO 24-BIT WORDS

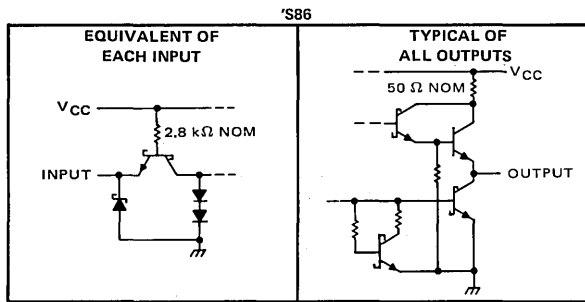
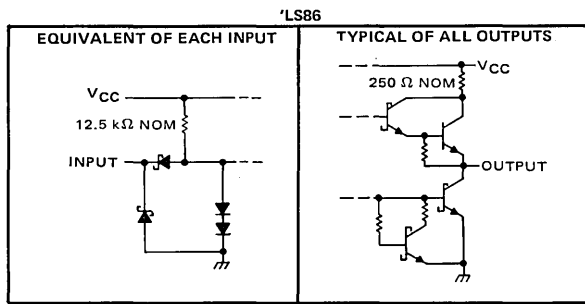
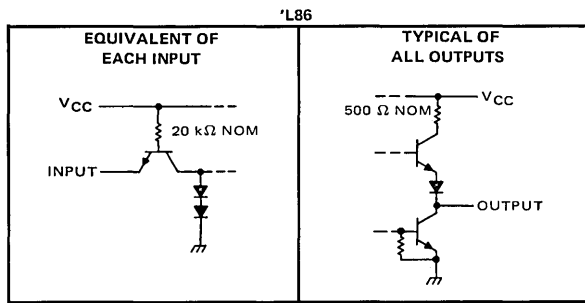
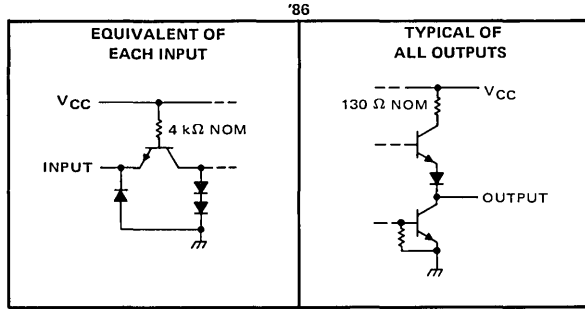
7

TTL  
MSI

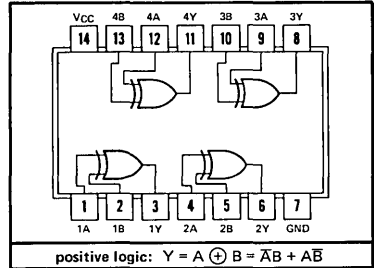
# TYPES SN5486, SN54L86, SN54LS86, SN54S86, SN7486, SN74L86, SN74LS86, SN74S86 QUADRUPLE 2-INPUT EXCLUSIVE-OR GATES

BULLETIN NO. DL-S 7611825, DECEMBER 1972—REVISED OCTOBER 1976

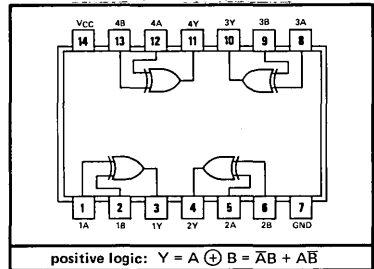
## schematics of inputs and outputs



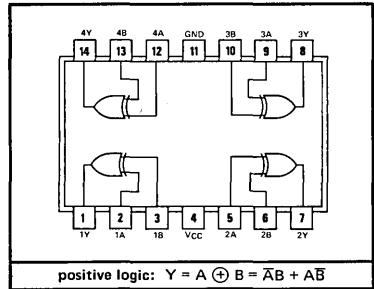
SN54', SN54LS', SN54S' ... J OR W PACKAGE  
SN74', SN74LS', SN74S' ... J OR N PACKAGE  
(TOP VIEW)



SN54L86 ... J PACKAGE  
SN74L86 ... J OR N PACKAGE  
(TOP VIEW)



SN54L86 ... T PACKAGE (TOP VIEW)



### FUNCTION TABLE

INPUTS		OUTPUT
A	B	Y
L	L	L
L	H	H
H	L	H
H	H	L

H = high level, L = low level

TYPE	TYPICAL AVERAGE PROPAGATION DELAY TIME	TYPICAL TOTAL POWER DISSIPATION
'86	14 ns	150 mW
'L86	55 ns	15 mW
'LS86	10 ns	30.5 mW
'S86	7 ns	250 mW

7

# TYPES SN5486, SN7486

## QUADRUPLE 2-INPUT EXCLUSIVE-OR GATES

absolute maximum ratings over operating free-air temperature range (unless otherwise noted)

Supply voltage, $V_{CC}$ (see Note 1)	7 V
Input voltage	5.5 V
Operating free-air temperature range: SN5486	-55°C to 125°C
SN7486	0°C to 70°C
Storage temperature range	-65°C to 150°C

NOTE 1: Voltage values are with respect to network ground terminal.

recommended operating conditions

	SN5486			SN7486			UNIT
	MIN	NOM	MAX	MIN	NOM	MAX	
Supply voltage, $V_{CC}$	4.5	5	5.5	4.75	5	5.25	V
High-level output current, $I_{OH}$	-800			-800			$\mu$ A
Low-level output current, $I_{OL}$	16			16			mA
Operating free-air temperature, $T_A$	-55	125		0	70		°C

electrical characteristics over recommended operating free-air temperature range (unless otherwise noted)

PARAMETER	TEST CONDITIONS†	SN5486			SN7486			UNIT
		MIN	TYP‡	MAX	MIN	TYP‡	MAX	
$V_{IH}$ High-level input voltage		2			2			V
$V_{IL}$ Low-level input voltage		0.8			0.8			V
$V_{IK}$ Input clamp voltage	$V_{CC} = \text{MIN}, I_I = -8 \text{ mA}$	-1.5			-1.5			V
$V_{OH}$ High-level output voltage	$V_{CC} = \text{MIN}, V_{IH} = 2 \text{ V}, V_{IL} = 0.8 \text{ V}, I_{OH} = -800 \mu\text{A}$	2.4	3.4		2.4	3.4		V
$V_{OL}$ Low-level output voltage	$V_{CC} = \text{MIN}, V_{IH} = 2 \text{ V}, V_{IL} = 0.8 \text{ V}, I_{OL} = 16 \text{ mA}$	0.2	0.4		0.2	0.4		V
$I_I$ Input current at maximum input voltage	$V_{CC} = \text{MAX}, V_I = 5.5 \text{ V}$	1			1			mA
$I_{IH}$ High-level input current	$V_{CC} = \text{MAX}, V_I = 2.4 \text{ V}$	40			40			$\mu$ A
$I_{IL}$ Low-level input current	$V_{CC} = \text{MAX}, V_I = 0.4 \text{ V}$	-1.6			-1.6			mA
$I_{OS}$ Short-circuit output current§	$V_{CC} = \text{MAX}$	-20	-55		-18	-55		mA
$I_{CC}$ Supply current	$V_{CC} = \text{MAX}, \text{ See Note 2}$	30	43		30	50		mA

† For conditions shown as MIN or MAX, use the appropriate value specified under recommended operating conditions for the applicable type.

‡ All typical values are at  $V_{CC} = 5 \text{ V}, T_A = 25^\circ \text{C}$ .

§ Not more than one output should be shorted at a time.

NOTE 2:  $I_{CC}$  is measured with the inputs grounded and the outputs open.

switching characteristics,  $V_{CC} = 5 \text{ V}, T_A = 25^\circ \text{C}$

PARAMETER¶	FROM (INPUT)	TEST CONDITIONS		MIN	TYP	MAX	UNIT
$t_{PLH}$	A or B	Other input low	$C_L = 15 \text{ pF}, R_L = 400 \Omega,$ See Note 3	15	23	ns	
$t_{PHL}$				11	17		
$t_{PLH}$	A or B	Other input high	See Note 3	18	30	ns	
$t_{PHL}$				13	22		

¶  $t_{PLH} \equiv$  propagation delay time, low-to-high-level output

$t_{PHL} \equiv$  propagation delay time, high-to-low-level output

NOTE 3: Load circuit and voltage waveforms are shown on page 3-10.

# TYPES SN54L86, SN74L86

## QUADRUPLE 2-INPUT EXCLUSIVE-OR GATES

### absolute maximum ratings over operating free-air temperature range (unless otherwise noted)

Supply voltage, $V_{CC}$ (see Note 1)	7 V
Input voltage (see Note 4)	5.5 V
Operating free-air temperature range: SN54L86	-55°C to 125°C
SN74L86	0°C to 70°C
Storage temperature range	-65°C to 150°C

NOTES: 1. Voltage values are with respect to network ground terminal.  
4. Input voltages must be zero or positive with respect to network ground terminal.

### recommended operating conditions

	SN54L86			SN74L86			UNIT		
	MIN	NOM	MAX	MIN	NOM	MAX			
Supply voltage, $V_{CC}$	4.5	5	5.5	4.75	5	5.25	V		
High-level output current, $I_{OH}$	-100			-200			$\mu$ A		
Low-level output current, $I_{OL}$	2			3.6			mA		
Operating free-air temperature, $T_A$	-55			125			0	70	°C

### electrical characteristics over recommended operating free-air temperature range (unless otherwise noted)

PARAMETER	TEST CONDITIONS†	SN54L86			SN74L86			UNIT
		MIN	TYP‡	MAX	MIN	TYP‡	MAX	
$V_{IH}$ High-level input voltage		2			2			V
$V_{IL}$ Low-level input voltage		0.7			0.7			V
$V_{OH}$ High-level output voltage	$V_{CC} = \text{MIN}$ , $V_{IH} = 2 \text{ V}$ , $V_{IL} = 0.7 \text{ V}$ , $I_{OH} = \text{MAX}$	2.4	3.3		2.4	3.2		V
$V_{OL}$ Low-level output voltage	$V_{CC} = \text{MIN}$ , $V_{IH} = 2 \text{ V}$ , $V_{IL} = 0.7 \text{ V}$ , $I_{OL} = \text{MAX}$		0.15	0.3		0.2	0.4	V
$I_I$ Input current at maximum input voltage	$V_{CC} = \text{MAX}$ , $V_I = 5.5 \text{ V}$	200			200			$\mu$ A
$I_{IH}$ High-level input current	$V_{CC} = \text{MAX}$ , $V_I = 2.4 \text{ V}$	20			20			$\mu$ A
$I_{IL}$ Low-level input current	$V_{CC} = \text{MAX}$ , $V_I = 0.3 \text{ V}$	-0.36			-0.36			mA
$I_{OS}$ Short-circuit output current	$V_{CC} = \text{MAX}$	-3	-15		-3	-15		mA
$I_{CCH}$ Supply current, all outputs high	$V_{CC} = \text{MAX}$ , See Note 5	2.2	4.4		2.2	4.4		mA
$I_{CCL}$ Supply current, all outputs low	$V_{CC} = \text{MAX}$ , See Note 6	3.8	6.68		3.8	6.68		mA

† For conditions shown as MIN or MAX, use the appropriate value specified under recommended operating conditions.

‡ All typical values are at  $V_{CC} = 5 \text{ V}$ ,  $T_A = 25^\circ\text{C}$ .

NOTES: 5.  $I_{CCH}$  is measured with all outputs open, one input of each gate at 4.5 V, and the other inputs grounded.

6.  $I_{CCL}$  is measured with all outputs open and all inputs at 4.5 V.

### switching characteristics, $V_{CC} = 5 \text{ V}$ , $T_A = 25^\circ\text{C}$

PARAMETER‡	FROM (INPUT)	TEST CONDITIONS		MIN	TYP	MAX	UNIT
		Other input low	Other input high				
$t_{PLH}$	A or B	Other input low	$C_L = 50 \text{ pF}$ , $R_L = 4 \text{ k}\Omega$ , See Note 7	75	150		ns
$t_{PHL}$				60	150		
$t_{PLH}$	A or B	Other input high		50	90		ns
$t_{PHL}$				35	60		

‡  $t_{PLH}$   $\equiv$  propagation delay time, low-to-high-level output

$t_{PHL}$   $\equiv$  propagation delay time, high-to-low-level output

NOTE 7: Load circuit and voltage waveforms are shown on page 3-11.

# TYPES SN54LS86, SN74LS86

## QUADRUPLE 2-INPUT EXCLUSIVE-OR GATES

REVISED OCTOBER 1976

absolute maximum ratings over operating free-air temperature range (unless otherwise noted)

Supply voltage, $V_{CC}$ (see Note 1)	7 V
Input voltage	7 V
Operating free-air temperature range: SN54LS86	-55°C to 125°C
SN74LS86	0°C to 70°C
Storage temperature range	-65°C to 150°C

NOTE 1: Voltage values are with respect to network ground terminal.

recommended operating conditions

	SN54LS86			SN74LS86			UNIT	
	MIN	NOM	MAX	MIN	NOM	MAX		
Supply voltage, $V_{CC}$	4.5	5	5.5	4.75	5	5.25	V	
High-level output current, $I_{OH}$	-400			-400			$\mu$ A	
Low-level output current, $I_{OL}$	4			8			mA	
Operating free-air temperature, $T_A$	-55			0			70	°C

electrical characteristics over recommended operating free-air temperature range (unless otherwise noted)

PARAMETER	TEST CONDITIONS†	SN54LS86			SN74LS86			UNIT
		MIN	TYP‡	MAX	MIN	TYP‡	MAX	
$V_{IH}$ High-level input voltage		2			2			V
$V_{IL}$ Low-level input voltage		0.7			0.8			V
$V_{IK}$ Input clamp voltage	$V_{CC} = \text{MIN}, I_I = -18 \text{ mA}$	-1.5			-1.5			V
$V_{OH}$ High-level output voltage	$V_{CC} = \text{MIN}, V_{IH} = 2 \text{ V}, V_{IL} = V_{IL \text{ max}}, I_{OH} = -400 \mu\text{A}$	2.5	3.4		2.7	3.4		V
$V_{OL}$ Low-level output voltage	$V_{CC} = \text{MIN}, V_{IH} = 2 \text{ V}, V_{IL} = V_{IL \text{ max}}$	$I_{OL} = 4 \text{ mA}$		0.25	0.4	0.25	0.4	V
		$I_{OL} = 8 \text{ mA}$		0.35		0.5		
$I_I$ Input current at maximum input voltage	$V_{CC} = \text{MAX}, V_I = 7 \text{ V}$	0.2			0.2			mA
$I_{IH}$ High-level input current	$V_{CC} = \text{MAX}, V_I = 2.7 \text{ V}$	40			40			$\mu$ A
$I_{IL}$ Low-level input current	$V_{CC} = \text{MAX}, V_I = 0.4 \text{ V}$	-0.8			-0.8			mA
$I_{OS}$ Short-circuit output current§	$V_{CC} = \text{MAX}$	-6	-40		-5	-42		mA
$I_{CC}$ Supply current	$V_{CC} = \text{MAX},$ See Note 2	6.1	10		6.1	10		mA

† For conditions shown as MIN or MAX, use the appropriate value specified under recommended operating conditions for the applicable type.

‡ All typical values are at  $V_{CC} = 5 \text{ V}, T_A = 25^\circ\text{C}$ .

§ Not more than one output should be shorted at a time.

NOTE 2:  $I_{CC}$  is measured with the inputs grounded and the outputs open.

switching characteristics,  $V_{CC} = 5 \text{ V}, T_A = 25^\circ\text{C}$

PARAMETER¶	FROM (INPUT)	TEST CONDITIONS		MIN	TYP	MAX	UNIT
$t_{PLH}$	A or B	Other input low	$C_L = 15 \text{ pF}, R_L = 2 \text{ k}\Omega,$ See Note 7	12		23	ns
$t_{PHL}$				10		17	
$t_{PLH}$	A or B	Other input high		20		30	ns
$t_{PHL}$				13		22	

¶  $t_{PLH}$  ≡ propagation delay time, low-to-high-level output

$t_{PHL}$  ≡ propagation delay time, high-to-low-level output

NOTE 7: Load circuit and voltage waveforms are shown on page 3-11.

# TYPES SN54S86, SN74S86

## QUADRUPLE 2-INPUT EXCLUSIVE-OR GATES

### absolute maximum ratings over operating free-air temperature range (unless otherwise noted)

Supply voltage, $V_{CC}$ (see Note 1)	7 V
Input voltage	5.5 V
Operating free-air temperature range: SN54S86	-55°C to 125°C
SN74S86	0°C to 70°C
Storage temperature range	-65°C to 150°C

NOTE 1: Voltage values are with respect to network ground terminal.

### recommended operating conditions

	SN54S86			SN74S86			UNIT
	MIN	NOM	MAX	MIN	NOM	MAX	
Supply voltage, $V_{CC}$	4.5	5	5.5	4.75	5	5.25	V
High-level output current, $I_{OH}$			-1			-1	mA
Low-level output current, $I_{OL}$			20			20	mA
Operating free-air temperature, $T_A$	-55		125	0		70	°C

### electrical characteristics over recommended operating free-air temperature range (unless otherwise noted)

PARAMETER	TEST CONDITIONS†	SN54S86			SN74S86			UNIT
		MIN	TYP‡	MAX	MIN	TYP‡	MAX	
$V_{IH}$ High-level input voltage		2			2			V
$V_{IL}$ Low-level input voltage				0.8			0.8	V
$V_{IK}$ Input clamp voltage	$V_{CC} = \text{MIN}, I_I = -18 \text{ mA}$			-1.2			-1.2	V
$V_{OH}$ High-level output voltage	$V_{CC} = \text{MIN}, V_{IH} = 2 \text{ V}, V_{IL} = 0.8 \text{ V}, I_{OH} = -1 \text{ mA}$	2.5	3.4		2.7	3.4		V
$V_{OL}$ Low-level output voltage	$V_{CC} = \text{MIN}, V_{IH} = 2 \text{ V}, V_{IL} = 0.8 \text{ V}, I_{OL} = 20 \text{ mA}$			0.5			0.5	V
$I_I$ Input current at maximum input voltage	$V_{CC} = \text{MAX}, V_I = 5.5 \text{ V}$			1			1	mA
$I_{IH}$ High-level input current	$V_{CC} = \text{MAX}, V_I = 2.7 \text{ V}$			50			50	µA
$I_{IL}$ Low-level input current	$V_{CC} = \text{MAX}, V_I = 0.5 \text{ V}$			-2			-2	mA
$I_{OS}$ Short-circuit output current §	$V_{CC} = \text{MAX}$	-40		-100	-40		-100	mA
$I_{CC}$ Supply current	$V_{CC} = \text{MAX}$ , See Note 2		50	75		50	75	mA

†For conditions shown as MIN or MAX, use the appropriate value specified under recommended operating conditions for the applicable type.

‡All typical values are at  $V_{CC} = 5 \text{ V}, T_A = 25^\circ\text{C}$ .

§Not more than one output should be shorted at a time, and duration of the short-circuit should not exceed one second.

NOTE 2:  $I_{CC}$  is measured with the inputs grounded and the outputs open.

### switching characteristics, $V_{CC} = 5 \text{ V}, T_A = 25^\circ\text{C}$

PARAMETER †	FROM (INPUT)	TEST CONDITIONS		MIN	TYP	MAX	UNIT
$t_{PLH}$	A or B	Other input low	$C_L = 15 \text{ pF}, R_L = 280 \Omega,$ See Note 3		7	10.5	ns
$t_{PHL}$					6.5	10	
$t_{PLH}$	A or B	Other input high			7	10.5	ns
$t_{PHL}$					6.5	10	

† $t_{PLH}$  ≡ propagation delay time, low-to-high-level output

$t_{PHL}$  ≡ propagation delay time, high-to-low-level output

NOTE 3: Load circuit and voltage waveforms are shown on page 3-10.

7

**TYPES SN54H87, SN74H87  
4-BIT TRUE/COMPLEMENT, ZERO/ONE ELEMENTS**

BULLETIN NO. DL-S 7211837, DECEMBER 1972

**description**

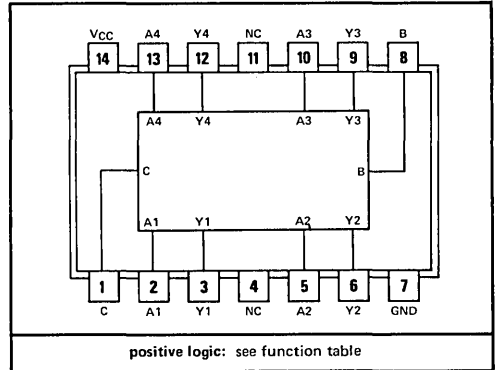
Operation of these monolithic 4-bit true/complement elements is controlled by the B and C inputs. With the B input low, the 4-bit binary input (A) is transferred to the output (Y) in either complementary form (with C low) or true form (with C high). When the B input is high, the output will be at the complementary level of the C input regardless of the levels of the data inputs.

These circuits are fully compatible for use with other TTL or DTL circuits. Input clamping diodes are provided to minimize transmission line effects and thereby simplify system design. Each input represents only one normalized series 54H/74H load, and full fan-out to 10 series 54H/74H loads is available from each of the outputs in the low-level condition.

Power dissipation is 270 mW typically with an average propagation delay of 14 ns from data inputs to output.

The SN54H87 is characterized for operation over the full military temperature range of  $-55^{\circ}\text{C}$  to  $125^{\circ}\text{C}$ , and the SN74H87 is characterized for operation from  $0^{\circ}\text{C}$  to  $70^{\circ}\text{C}$ .

SN54H87 . . . J OR W PACKAGE  
SN74H87 . . . J OR N PACKAGE  
(TOP VIEW)



NC—No internal connection

**FUNCTION TABLE**

CONTROL INPUTS		OUTPUTS			
B	C	Y1	Y2	Y3	Y4
L	L	$\bar{A}1$	$\bar{A}2$	$\bar{A}3$	$\bar{A}4$
L	H	A1	A2	A3	A4
H	L	H	H	H	H
H	H	L	L	L	L

H = high level, L = low level  
A1, A2, A3, A4 = the level of the respective A input.

**absolute maximum ratings over operating free-air temperature range (unless otherwise noted)**

Supply voltage, $V_{CC}$ (see Note 1)	7 V
Input voltage	5.5 V
Operating free-air temperature range: SN54H87 Circuits	$-55^{\circ}\text{C}$ to $125^{\circ}\text{C}$
SN74H87 Circuits	$0^{\circ}\text{C}$ to $70^{\circ}\text{C}$
Storage temperature range	$-65^{\circ}\text{C}$ to $150^{\circ}\text{C}$

NOTE 1: Voltage values are with respect to network ground terminal.

**recommended operating conditions**

	SN54H87			SN74H87			UNIT
	MIN	NOM	MAX	MIN	NOM	MAX	
Supply voltage, $V_{CC}$	4.5	5	5.5	4.75	5	5.25	V
High-level output current, $I_{OH}$			-1			-1	mA
Low-level output current, $I_{OL}$			20			20	mA
Operating free-air temperature, $T_A$	-55		125	0		70	$^{\circ}\text{C}$

# TYPES SN54H87, SN74H87

## 4-BIT TRUE/COMPLEMENT, ZERO/ONE ELEMENTS

electrical characteristics over recommended operating free-air temperature range (unless otherwise noted)

PARAMETER	TEST CONDITIONS <sup>†</sup>	MIN	TYP <sup>‡</sup>	MAX	UNIT
V <sub>IH</sub> High-level input voltage		2			V
V <sub>IL</sub> Low-level input voltage				0.8	V
V <sub>IK</sub> Input clamp voltage	V <sub>CC</sub> = MIN, I <sub>I</sub> = -8 mA			-1.5	V
V <sub>OH</sub> High-level output voltage	V <sub>CC</sub> = MIN, V <sub>IH</sub> = 2 V, V <sub>IL</sub> = 0.8 V, I <sub>OH</sub> = -1 mA	2.4	3.5		V
V <sub>OL</sub> Low-level output voltage	V <sub>CC</sub> = MIN, V <sub>IH</sub> = 2 V, V <sub>IL</sub> = 0.8 V, I <sub>OL</sub> = 20 mA		0.2	0.4	V
I <sub>I</sub> Input current at maximum input voltage	V <sub>CC</sub> = MAX, V <sub>I</sub> = 5.5 V			1	mA
I <sub>IH</sub> High-level input current	V <sub>CC</sub> = MAX, V <sub>I</sub> = 2.4 V			50	μA
I <sub>IL</sub> Low-level input current	V <sub>CC</sub> = MAX, V <sub>I</sub> = 0.4 V			-2	mA
I <sub>OS</sub> Short-circuit output current <sup>§</sup>	V <sub>CC</sub> = MAX	-40		-100	mA
I <sub>CC</sub> Supply current	V <sub>CC</sub> = MAX, See Note 2	SN54H87	54	78	mA
		SN74H87	54	89	

<sup>†</sup>For conditions shown as MIN or MAX, use the appropriate value specified under recommended operating conditions for the applicable type.

<sup>‡</sup>All typical values are at V<sub>CC</sub> = 5 V, T<sub>A</sub> = 25°C.

<sup>§</sup>Not more than one output should be shorted at a time and duration of the short-circuit should not exceed 1 second.

NOTE 2: I<sub>CC</sub> is measured for the following conditions:

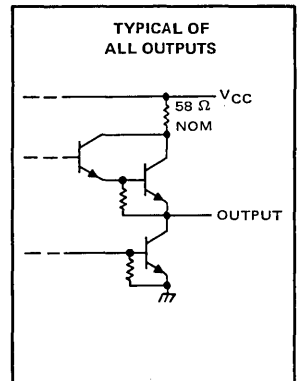
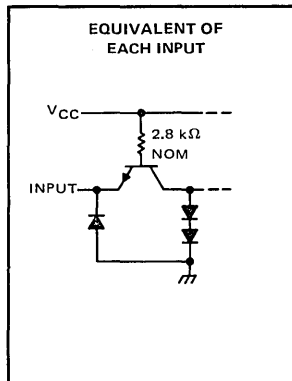
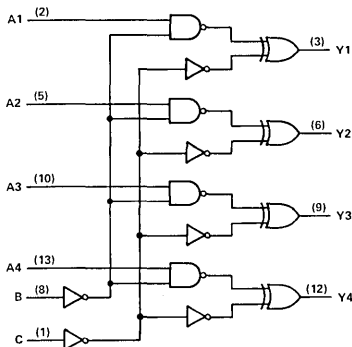
- a. All A inputs are at 4.5 V, B and C inputs are grounded, and all outputs are open.
- b. B and C inputs are at 4.5 V, all A inputs are grounded, and all outputs are open.

switching characteristics, V<sub>CC</sub> = 5 V, T<sub>A</sub> = 25°C

PARAMETER	TEST CONDITIONS	MIN	TYP	MAX	MAX
t <sub>PLH</sub> Propagation delay time, low-to-high-level output from any A input	C <sub>L</sub> = 25 pF, R <sub>L</sub> = 280 Ω, See Note 3		14	20	ns
t <sub>PHL</sub> Propagation delay time, high-to-low-level output from any A input			13	19	ns
t <sub>PLH</sub> Propagation delay time, low-to-high-level output from B or C inputs			17	25	ns
t <sub>PHL</sub> Propagation delay time, high-to-low-level output from B or C inputs			17	25	ns

NOTE 3: Load circuit and voltage waveforms are shown on page 3-10.

functional block diagram and schematics of inputs and outputs



7



TTL  
MSI

# TYPES SN5490A, SN5492A, SN5493A, SN54L90, SN54L93, SN54LS90, SN54LS92, SN54LS93, SN7490A, SN7492A, SN7493A, SN74L90, SN74L93, SN74LS90, SN74LS92, SN74LS93 DECADE, DIVIDE-BY-TWELVE, AND BINARY COUNTERS

BULLETIN NO. DL-S 7611807, MARCH 1974—REVISED OCTOBER 1976

'90A, 'L90, 'LS90 ... DECADE COUNTERS

'92A, 'LS92 ... DIVIDE-BY-TWELVE COUNTERS

'93A, 'L93, 'LS93 ... 4-BIT BINARY COUNTERS

TYPES	TYPICAL POWER DISSIPATION
'90A	145 mW
'L90	20 mW
'LS90	45 mW
'92A, '93A	130 mW
'LS92, 'LS93	45 mW
'L93	16 mW

## description

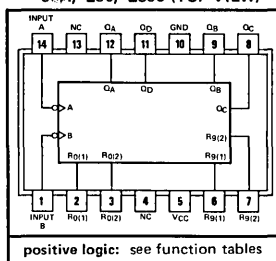
Each of these monolithic counters contains four master-slave flip-flops and additional gating to provide a divide-by-two counter and a three-stage binary counter for which the count cycle length is divide-by-five for the '90A, 'L90, and 'LS90, divide-by-six for the '92A and 'LS92, and divide-by-eight for the '93A, 'L93, and 'LS93.

All of these counters have a gated zero reset and the '90A, 'L90, and 'LS90 also have gated set-to-nine inputs for use in BCD nine's complement applications.

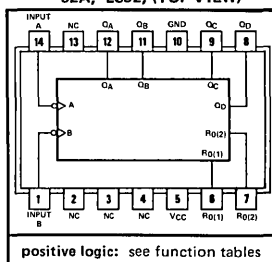
To use their maximum count length (decade, divide-by-twelve, or four-bit binary) of these counters, the B input is connected to the  $Q_A$  output. The input count pulses are applied to input A and the outputs are as described in the appropriate function table. A symmetrical divide-by-ten count can be obtained from the '90A, 'L90, or 'LS90 counters by connecting the  $Q_D$  output to the A input and applying the input count to the B input which gives a divide-by-ten square wave at output  $Q_A$ .

SN54', SN54L' ... J OR W PACKAGE  
SN54L' ... J OR T PACKAGE  
SN54', SN74L', SN74LS' ... J OR N PACKAGE

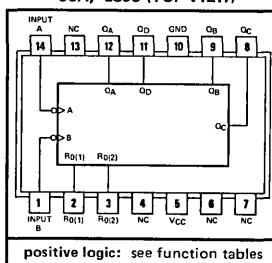
'90A, 'L90, 'LS90 (TOP VIEW)



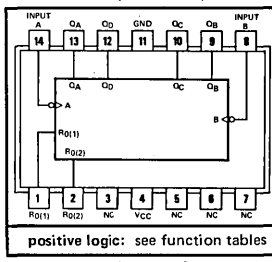
'92A, 'LS92, (TOP VIEW)



'93A, 'LS93 (TOP VIEW)



'L93 (TOP VIEW)



NC—No internal connection

# TYPES SN5490A, '92A, '93A, SN54L90, 'L93, SN54LS90, 'LS92, 'LS93, SN7490A, '92A, '93A, SN74L90, 'L93, SN74LS90, 'LS92, 'LS93 DECADE, DIVIDE-BY-TWELVE, AND BINARY COUNTERS

'90A, 'L90, 'LS90  
BCD COUNT SEQUENCE  
(See Note A)

COUNT	OUTPUT			
	Q <sub>D</sub>	Q <sub>C</sub>	Q <sub>B</sub>	Q <sub>A</sub>
0	L	L	L	L
1	L	L	L	H
2	L	L	H	L
3	L	L	H	H
4	L	H	L	L
5	L	H	L	H
6	L	H	H	L
7	L	H	H	H
8	H	L	L	L
9	H	L	L	H

'90A, 'L90, 'LS90  
BI-QUINARY (5-2)  
(See Note B)

COUNT	OUTPUT			
	Q <sub>A</sub>	Q <sub>D</sub>	Q <sub>C</sub>	Q <sub>B</sub>
0	L	L	L	L
1	L	L	L	H
2	L	L	H	L
3	L	L	H	H
4	L	H	L	L
5	H	L	L	L
6	H	L	L	H
7	H	L	H	L
8	H	L	H	H
9	H	H	L	L

'92A, 'LS92  
COUNT SEQUENCE  
(See Note C)

COUNT	OUTPUT			
	Q <sub>D</sub>	Q <sub>C</sub>	Q <sub>B</sub>	Q <sub>A</sub>
0	L	L	L	L
1	L	L	L	H
2	L	L	H	L
3	L	L	H	H
4	L	H	L	L
5	L	H	L	H
6	H	L	L	L
7	H	L	L	H
8	H	L	H	L
9	H	L	H	H
10	H	H	L	L
11	H	H	L	H

'93A, 'L93, 'LS93  
COUNT SEQUENCE  
(See Note C)

COUNT	OUTPUT			
	Q <sub>D</sub>	Q <sub>C</sub>	Q <sub>B</sub>	Q <sub>A</sub>
0	L	L	L	L
1	L	L	L	H
2	L	L	H	L
3	L	L	H	H
4	L	H	L	L
5	L	H	L	H
6	L	H	H	L
7	L	H	H	H
8	H	L	L	L
9	H	L	L	H
10	H	L	H	L
11	H	L	H	H
12	H	H	L	L
13	H	H	L	H
14	H	H	H	L
15	H	H	H	H

'90A, 'L90, 'LS90  
RESET/COUNT FUNCTION TABLE

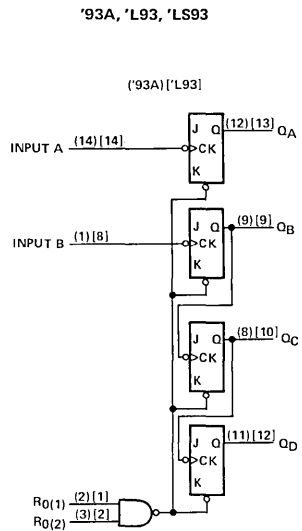
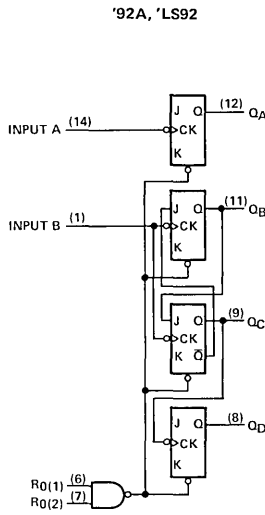
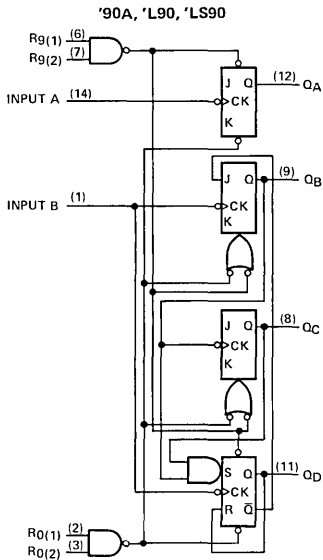
RESET INPUTS				OUTPUT			
R <sub>0</sub> (1)	R <sub>0</sub> (2)	R <sub>9</sub> (1)	R <sub>9</sub> (2)	Q <sub>D</sub>	Q <sub>C</sub>	Q <sub>B</sub>	Q <sub>A</sub>
H	H	L	X	L	L	L	L
H	H	X	L	L	L	L	L
X	X	H	H	H	L	L	H
X	L	X	L	COUNT			
L	X	L	X	COUNT			
L	X	X	L	COUNT			
X	L	L	X	COUNT			

'92A, 'LS92, '93A, 'L93, 'LS93  
RESET/COUNT FUNCTION TABLE

RESET INPUTS		OUTPUT			
R <sub>0</sub> (1)	R <sub>0</sub> (2)	Q <sub>D</sub>	Q <sub>C</sub>	Q <sub>B</sub>	Q <sub>A</sub>
H	H	L	L	L	L
L	X	COUNT			
X	L	COUNT			

- NOTES: A. Output Q<sub>A</sub> is connected to input B for BCD count.  
 B. Output Q<sub>D</sub> is connected to input A for bi-quinary count.  
 C. Output Q<sub>A</sub> is connected to input B.  
 D. H = high level, L = low level, X = irrelevant

## functional block diagrams



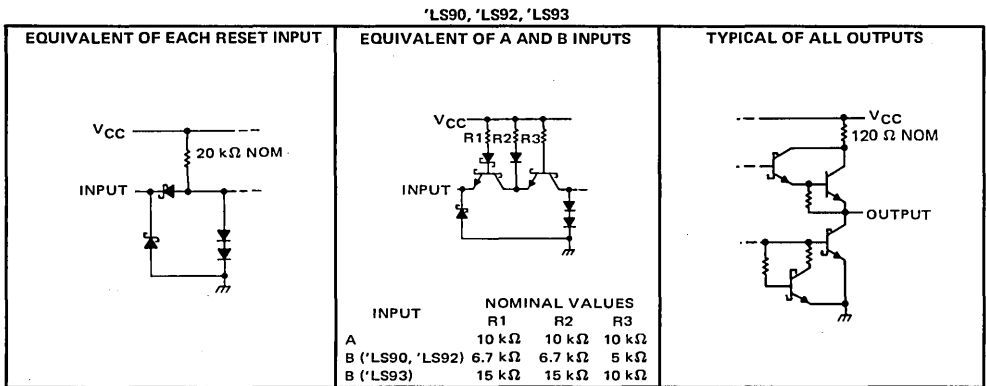
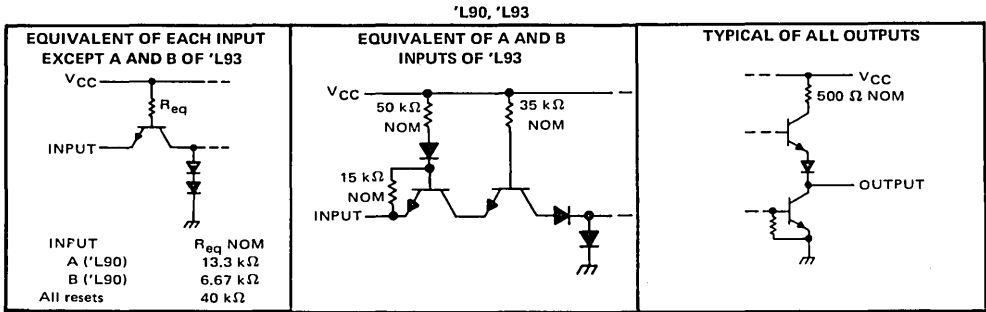
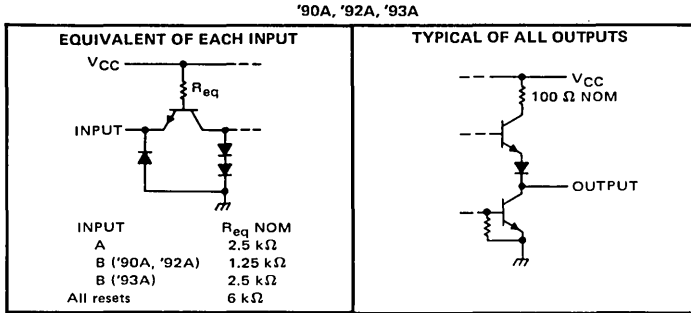
The J and K inputs shown without connection are for reference only and are functionally at a high level.

# TYPES SN5490A, '92A, '93A, SN54L90, 'L93, SN54LS90, 'LS92, 'LS93, SN7490A, '92A, '93A, SN74L90, 'L93, SN74LS90, 'LS92, 'LS93

## DECADE, DIVIDE-BY-TWELVE, AND BINARY COUNTERS

REVISED AUGUST 1977

schematics of inputs and outputs



7

# TYPES SN5490A, SN5492A, SN5493A, SN7490A, SN7492A, SN7493A DECADE, DIVIDE-BY-TWELVE, AND BINARY COUNTERS

absolute maximum ratings over operating free-air temperature range (unless otherwise noted)

Supply voltage, $V_{CC}$ (see Note 1)	7 V
Input voltage	5.5 V
Interemitter voltage (see Note 2)	5.5 V
Operating free-air temperature range: SN5490A, SN5492A, SN5493A	-55°C to 125°C
SN7490A, SN7492A, SN7493A	0°C to 70°C
Storage temperature range	-65°C to 150°C

NOTES: 1. Voltage values, except interemitter voltage, are with respect to network ground terminal.  
2. This is the voltage between two emitters of a multiple-emitter transistor. For these circuits, this rating applies between the two  $R_0$  inputs, and for the '90A circuit, it also applies between the two  $R_0$  inputs.

recommended operating conditions

	SN5490A, SN5492A SN5493A			SN7490A, SN7492A SN7493A			UNIT
	MIN	NOM	MAX	MIN	NOM	MAX	
Supply voltage, $V_{CC}$	4.5	5	5.5	4.75	5	5.25	V
High-level output current, $I_{OH}$	-800			-800			$\mu$ A
Low-level output current, $I_{OL}$	16			16			mA
Count frequency, $f_{count}$ (see Figure 1)	A input	0	32	0	32		MHz
	B input	0	16	0	16		
Pulse width, $t_w$	A input	15		15			ns
	B input	30		30			
	Reset inputs	15		15			
Reset inactive-state setup time, $t_{su}$	25			25			ns
Operating free-air temperature, $T_A$	-55	125		0	70		°C

electrical characteristics over recommended operating free-air temperature range (unless otherwise noted)

PARAMETER	TEST CONDITIONS†	'90A		'92A		'93A		UNIT	
		MIN	TYP‡	MAX	MIN	TYP‡	MAX		
$V_{IH}$ High-level input voltage		2		2		2		V	
$V_{IL}$ Low-level input voltage		0.8		0.8		0.8		V	
$V_{IK}$ Input clamp voltage	$V_{CC} = \text{MIN}, I_I = -12 \text{ mA}$	-1.5		-1.5		-1.5		V	
$V_{OH}$ High-level output voltage	$V_{CC} = \text{MIN}, V_{IH} = 2 \text{ V}, V_{IL} = 0.8 \text{ V}, I_{OH} = -800 \mu\text{A}$	2.4	3.4	2.4	3.4	2.4	3.4	V	
$V_{OL}$ Low-level output voltage	$V_{CC} = \text{MIN}, V_{IH} = 2 \text{ V}, V_{IL} = 0.8 \text{ V}, I_{OL} = 16 \text{ mA}^\S$	0.2	0.4	0.2	0.4	0.2	0.4	V	
$I_I$ Input current at maximum input voltage	$V_{CC} = \text{MAX}, V_I = 5.5 \text{ V}$	1		1		1		mA	
$I_{IH}$ High-level input current	Any reset	40		40		40		$\mu$ A	
	A input	80		80		80			
	B input	120		120		80			
$I_{IL}$ Low-level input current	Any reset	-1.6		-1.6		-1.6		mA	
	A input	-3.2		-3.2		-3.2			
	B input	-4.8		-4.8		-3.2			
$I_{OS}$ Short-circuit output current§	$V_{CC} = \text{MAX}$	SN54'	-20	-57	-20	-57	-20	-57	mA
		SN74'	-18	-57	-18	-57	-18	-57	
$I_{CC}$ Supply current	$V_{CC} = \text{MAX}, \text{ See Note 3}$	29	42	26	39	26	39	mA	

† For conditions shown as MIN or MAX, use the appropriate value specified under recommended operating conditions.

‡ All typical values are at  $V_{CC} = 5 \text{ V}, T_A = 25^\circ\text{C}$ .

§ Not more than one output should be shorted at a time.

¶  $I_{OL}$  outputs are tested at  $I_{OL} = 16 \text{ mA}$  plus the limit value for  $I_{IL}$  for the B input. This permits driving the B input while maintaining full fan-out capability.

NOTE 3:  $I_{CC}$  is measured with all outputs open, both  $R_0$  inputs grounded following momentary connection to 4.5 V, and all other inputs grounded.

# TYPES SN5490A, SN5492A, SN5493A, SN7490A, SN7492A, SN7493A DECADE, DIVIDE-BY-TWELVE, AND BINARY COUNTERS

REVISED OCTOBER 1976

switching characteristics,  $V_{CC} = 5\text{ V}$ ,  $T_A = 25^\circ\text{C}$

PARAMETER <sup>†</sup>	FROM (INPUT)	TO (OUTPUT)	TEST CONDITIONS	'90A			'92A			'93A			UNIT
				MIN	TYP	MAX	MIN	TYP	MAX	MIN	TYP	MAX	
$f_{\max}$	A	$Q_A$	$C_L = 15\text{ pF}$ , $R_L = 400\ \Omega$ , See Figure 1	32	42		32	42		32	42		MHz
	B	$Q_B$		16			16			16			
$t_{PLH}$	A	$Q_A$		10	16		10	16		10	16		ns
$t_{PHL}$				12	18		12	18		12	18		
$t_{PLH}$	A	$Q_D$		32	48		32	48		46	70		ns
$t_{PHL}$				34	50		34	50		46	70		
$t_{PLH}$	B	$Q_B$		10	16		10	16		10	16		ns
$t_{PHL}$				14	21		14	21		14	21		
$t_{PLH}$	B	$Q_C$		21	32		10	16		21	32		ns
$t_{PHL}$				23	35		14	21		23	35		
$t_{PLH}$	B	$Q_D$		21	32		21	32		34	51		ns
$t_{PHL}$				23	35		23	35		34	51		
$t_{PHL}$	Set-to-0	Any		26	40		26	40		26	40		ns
$t_{PLH}$	Set-to-9	$Q_A, Q_D$		20	30								ns
$t_{PHL}$		$Q_B, Q_C$		26	40								

<sup>†</sup> $f_{\max}$  ≡ maximum count frequency

$t_{PLH}$  ≡ propagation delay time, low-to-high-level output

$t_{PHL}$  ≡ propagation delay time, high-to-low-level output

# TYPES SN54L90, SN54L93, SN74L90, SN74L93

## DECADE AND BINARY COUNTERS

### absolute maximum ratings over operating free-air temperature range (unless otherwise noted)

Supply voltage, $V_{CC}$ (see Note 4)	8 V
Input voltage (see Note 5)	5.5 V
Operating free-air temperature range: SN54L90, SN54L93	-55°C to 125°C
SN74L90, SN74L93	0°C to 70°C
Storage temperature range	-65°C to 150°C

NOTES: 4. Voltage values are with respect to network ground terminal.  
5. Input voltages must be zero or positive with respect to network ground terminal.

### recommended operating conditions

	SN54L90, SN54L93			SN74L90, SN74L93			UNIT
	MIN	NOM	MAX	MIN	NOM	MAX	
Supply voltage, $V_{CC}$	4.5	5	5.5	4.75	5	5.25	V
Count frequency, $f_{count}$	0		3	0		3	MHz
High-level output current, $I_{OH}$			-100			-200	$\mu$ A
Low-level output current, $I_{OL}$			2			3.6	mA
Width of input count pulse, $t_w(count)$	200			200			ns
Width of reset pulse, $t_w(reset)$	200			200			ns
Operating free-air temperature, $T_A$	-55		125	0		70	°C

### electrical characteristics over recommended operating free-air temperature range (unless otherwise noted)

PARAMETER		TEST CONDITIONS†	'L90			'L93			UNIT	
			MIN	TYP‡	MAX	MIN	TYP‡	MAX		
$V_{IH}$	High-level input voltage		2			2			V	
$V_{IL}$	Low-level input voltage				0.7			0.7	V	
$V_{OH}$	High-level output voltage	SN54L'	$V_{CC} = \text{MIN}, V_{IH} = 2 \text{ V}, V_{IL} = 0.7 \text{ V}, I_{OH} = \text{MAX}$			2.4	3.3	2.4	3.3	V
		SN74L'				2.4	3.2	2.4	3.2	
$V_{OL}$	Low-level output voltage	SN54L'	$V_{CC} = \text{MIN}, V_{IH} = 2 \text{ V}, V_{IL} = 0.7 \text{ V}, I_{OL} = \text{MAX}^{\S}$			0.15	0.3	0.15	0.3	V
		SN74L'				0.2	0.4	0.2	0.4	
$I_I$	Input current at maximum input voltage	Any reset input	$V_{CC} = \text{MAX}, V_I = 5.5 \text{ V}$			100		100		$\mu$ A
		A input				300		200		
		B input				600		200		
$I_{IH}$	High-level input current	Any reset input	$V_{CC} = \text{MAX}, V_I = 2.4 \text{ V}$			10		10		$\mu$ A
		A input				30		20		
		B input				60		20		
$I_{IL}$	Low-level input current	Any reset input	$V_{CC} = \text{MAX}, V_I = 0.3 \text{ V}$			-0.18		-0.18		mA
		A input				-0.54		-0.36		
		B input				-1.08		-0.36		
$I_{OS}$	Short-circuit output current $\S$	$V_{CC} = \text{MAX}$	-3		-15	-3		-15	mA	
$I_{CC}$	Supply current	$V_{CC} = \text{MAX}$ , See Note 3		4	7.2		3.2	6.6	mA	

†For conditions shown as MIN or MAX, use the appropriate value specified under recommended operating conditions.

‡All typical values are at  $V_{CC} = 5 \text{ V}, T_A = 25^\circ\text{C}$ .

§Not more than one output should be shorted at a time.

¶ $Q_A$  outputs are tested at  $I_{OL} = \text{MAX}$  plus the limit value for  $I_{IL}$  for the B input. This permits driving the B input while maintaining full fan-out capability.

NOTE 3:  $I_{CC}$  is measured with all outputs open, both  $R_D$  inputs grounded following momentary connection to 4.5 V, and all other inputs grounded.

### switching characteristics, $V_{CC} = 5 \text{ V}, T_A = 25^\circ\text{C}$

PARAMETER		TEST CONDITIONS	'L90			'L93			UNIT	
			MIN	TYP	MAX	MIN	TYP	MAX		
$f_{max}$	Maximum count frequency		3	6		3	6		MHz	
$t_{PLH}$	Propagation delay time, low-to-high-level $Q_D$ output from input A	$C_L = 50 \text{ pF}, R_L = 4 \text{ k}\Omega$ , See Figure 1		230	340		280	450		ns
$t_{PHL}$	Propagation delay time, high-to-low-level $Q_D$ output from input A			230	340		280	450		ns

# TYPES SN54LS90, SN54LS92, SN54LS93, SN74LS90, SN74LS92, SN74LS93 DECADE, DIVIDE-BY-TWELVE, AND BINARY COUNTERS

REVISED OCTOBER 1976

absolute maximum ratings over operating free-air temperature range (unless otherwise noted)

Supply voltage, $V_{CC}$ (see Note 4)	7 V
Input voltage: R inputs	7 V
A and B inputs	5.5 V
Operating free-air temperature range: SN54LS' Circuits	-55°C to 125°C
SN74LS' Circuits	0°C to 70°C
Storage temperature range	-65°C to 150°C

NOTE 4: Voltage values are with respect to network ground terminal.

## recommended operating conditions

	SN54LS90 SN54LS92 SN54LS93			SN74LS90 SN74LS92 SN74LS93			UNIT		
	MIN	NOM	MAX	MIN	NOM	MAX			
Supply voltage, $V_{CC}$	4.5	5	5.5	4.75	5	5.25	V		
High-level output current, $I_{OH}$	-400			-400			$\mu$ A		
Low-level output current, $I_{OL}$	4			8			mA		
Count frequency, $f_{count}$ (see Figure 1)	A input	0	32	0	32		MHz		
	B input	0	16	0	16				
Pulse width, $t_w$	A input	15		15			ns		
	B input	30		30					
	Reset inputs	15		15					
Reset inactive-state setup time, $t_{SU}$	25			25			ns		
Operating free-air temperature, $T_A$	-55			125			0	70	°C

## electrical characteristics over recommended operating free-air temperature range (unless otherwise noted)

PARAMETER	TEST CONDITIONS†	SN54LS90 SN54LS92			SN74LS90 SN74LS92			UNIT
		MIN	TYP‡	MAX	MIN	TYP‡	MAX	
$V_{IH}$ High-level input voltage		2			2			V
$V_{IL}$ Low-level input voltage		0.7			0.8			V
$V_{IK}$ Input clamp voltage	$V_{CC} = \text{MIN}, I_I = -18 \text{ mA}$	-1.5			-1.5			V
$V_{OH}$ High-level output voltage	$V_{CC} = \text{MIN}, V_{IH} = 2 \text{ V}, V_{IL} = V_{IL \text{ max}}, I_{OH} = -400 \mu\text{A}$	2.5	3.4		2.7	3.4		V
$V_{OL}$ Low-level output voltage	$V_{CC} = \text{MIN}, V_{IH} = 2 \text{ V}, V_{IL} = V_{IL \text{ max}}, I_{OL} = 4 \text{ mA} \S, I_{OL} = 8 \text{ mA} \P$	0.25	0.4		0.25	0.4		V
$I_I$ Input current at maximum input voltage	Any reset	$V_{CC} = \text{MAX}, V_I = 7 \text{ V}$			0.1			mA
	A input	$V_{CC} = \text{MAX}, V_I = 5.5 \text{ V}$			0.2			
	B input				0.4			
$I_{IH}$ High-level input current	Any reset	$V_{CC} = \text{MAX}, V_I = 2.7 \text{ V}$			20			$\mu$ A
	A input				40			
	B input				80			
$I_{IL}$ Low-level input current	Any reset	$V_{CC} = \text{MAX}, V_I = 0.4 \text{ V}$			-0.4			mA
	A input				-2.4			
	B input				-3.2			
$I_{OS}$ Short-circuit output current§	$V_{CC} = \text{MAX}$	-20	-100		-20	-100		mA
$I_{CC}$ Supply current	$V_{CC} = \text{MAX},$ See Note 3	'LS90			9 15			mA
		'LS92			9 15			

†For conditions shown as MIN or MAX, use the appropriate value specified under recommended operating conditions.

‡All typical values are at  $V_{CC} = 5 \text{ V}, T_A = 25^\circ\text{C}$ .

§Not more than one output should be shorted at a time, and duration of the short-circuit should not exceed one second.

¶QA outputs are tested at specified  $I_{OL}$  plus the limit value of  $I_{IL}$  for the B input. This permits driving the B input while maintaining full fan-out capability.

NOTE 3:  $I_{CC}$  is measured with all outputs open, both  $R_O$  inputs grounded following momentary connection to 4.5 V, and all other inputs grounded.

# TYPES SN54LS90, SN54LS92, SN54LS93, SN74LS90, SN74LS92, SN74LS93

## DECADE, DIVIDE-BY-TWELVE, AND BINARY COUNTERS

REVISED OCTOBER 1976

electrical characteristics over recommended operating free-air temperature range (unless otherwise noted)

PARAMETER		TEST CONDITIONS†	SN54LS93			SN74LS93			UNIT
			MIN	TYP‡	MAX	MIN	TYP‡	MAX	
V <sub>IH</sub>	High-level input voltage		2			2			V
V <sub>IL</sub>	Low-level input voltage					0.7			V
V <sub>IK</sub>	Input clamp voltage	V <sub>CC</sub> = MIN, I <sub>I</sub> = -18 mA				-1.5			V
V <sub>OH</sub>	High-level output voltage	V <sub>CC</sub> = MIN, V <sub>IH</sub> = 2 V, V <sub>IL</sub> = V <sub>IL</sub> max, I <sub>OH</sub> = -400 µA	2.5	3.4		2.7	3.4		V
V <sub>OL</sub>	Low-level output voltage	V <sub>CC</sub> = MIN, V <sub>IH</sub> = 2 V, V <sub>IL</sub> = V <sub>IL</sub> max				0.25 0.4			V
I <sub>I</sub>	Input current at maximum input voltage	Any reset				0.1			mA
		A or B input				0.2			
I <sub>IH</sub>	High-level input current	Any reset				20			µA
		A or B input				40			
I <sub>IL</sub>	Low-level input current	Any reset				-0.4			mA
		A input				-2.4			
		B input				-1.6			
I <sub>OS</sub>	Short-circuit output current§	V <sub>CC</sub> = MAX	-20	-100		-20	-100		mA
I <sub>CC</sub>	Supply current	V <sub>CC</sub> = MAX, See Note 3				9	15		mA

†For conditions shown as MIN or MAX, use the appropriate value specified under recommended operating conditions.

‡All typical values are at V<sub>CC</sub> = 5 V, T<sub>A</sub> = 25°C.

§Not more than one output should be shorted at a time, and duration of the short-circuit should not exceed one second.

¶Q<sub>A</sub> outputs are tested at specified I<sub>OL</sub> plus the limit value for I<sub>IL</sub> for the B input. This permits driving the B input while maintaining full fan-out capability.

NOTE 3: I<sub>CC</sub> is measured with all outputs open, both R<sub>0</sub> inputs grounded following momentary connection to 4.5 V, and all other inputs grounded.

### switching characteristics, V<sub>CC</sub> = 5 V, T<sub>A</sub> = 25°C

PARAMETER¶	FROM (INPUT)	TO (OUTPUT)	TEST CONDITIONS	'LS90			'LS92			'LS93			UNIT
				MIN	TYP	MAX	MIN	TYP	MAX	MIN	TYP	MAX	
f <sub>max</sub>	A	Q <sub>A</sub>	C <sub>L</sub> = 15 pF, R <sub>L</sub> = 2 kΩ See Figure 1	32	42		32	42		32	42	MHz	
	B	Q <sub>B</sub>		16			16			16			
t <sub>PLH</sub>	A	Q <sub>A</sub>		10	16		10	16		10	16	ns	
t <sub>PHL</sub>				12	18		12	18		12	18		
t <sub>PLH</sub>	A	Q <sub>D</sub>		32	48		32	48		46	70	ns	
t <sub>PHL</sub>				34	50		34	50		46	70		
t <sub>PLH</sub>	B	Q <sub>B</sub>		10	16		10	16		10	16	ns	
t <sub>PHL</sub>				14	21		14	21		14	21		
t <sub>PLH</sub>	B	Q <sub>C</sub>		21	32		10	16		21	32	ns	
t <sub>PHL</sub>				23	35		14	21		23	35		
t <sub>PLH</sub>	B	Q <sub>D</sub>		21	32		21	32		34	51	ns	
t <sub>PHL</sub>				23	35		23	35		34	51		
t <sub>PHL</sub>	Set-to-0	Any					26	40		26	40	ns	
t <sub>PLH</sub>	Set-to-9	Q <sub>A</sub> , Q <sub>D</sub>					20	30				ns	
t <sub>PHL</sub>		Q <sub>B</sub> , Q <sub>C</sub>				26	40						

¶f<sub>max</sub> ≡ maximum count frequency

t<sub>PLH</sub> ≡ propagation delay time, low-to-high-level output

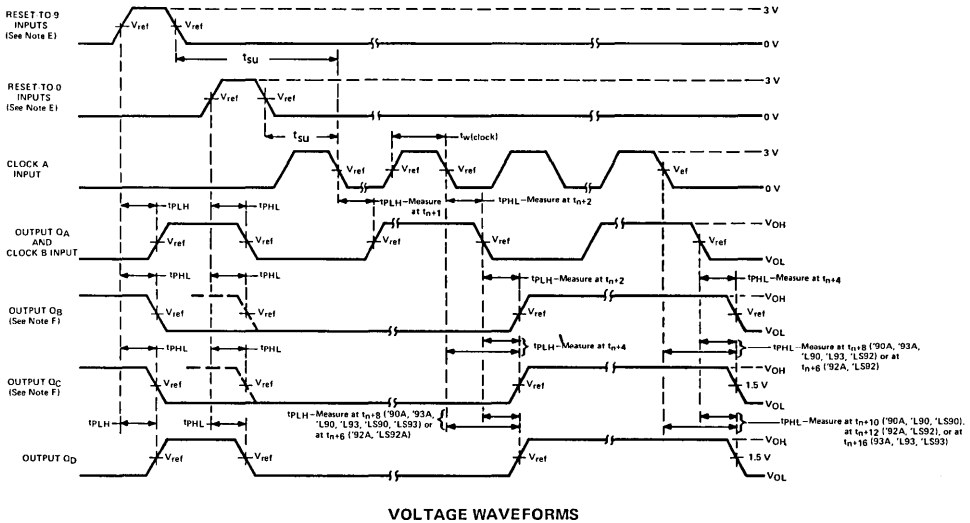
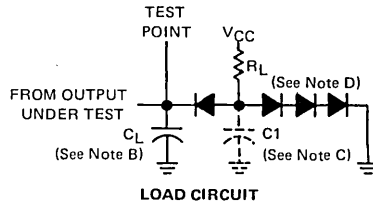
t<sub>PHL</sub> ≡ propagation delay time, high-to-low-level output

7



**TYPES SN5490A, SN5492A, SN5493A, SN54L90, SN54L93,  
SN54LS90, SN54LS92, SN54LS93, SN7490A, SN7492A, SN7493A,  
SN74L90, SN74L93, SN74LS90, SN74LS92, SN74LS93  
DECADE, DIVIDE-BY-TWELVE, AND BINARY COUNTERS**

**PARAMETER MEASUREMENT INFORMATION**



- NOTES:**
- A. Input pulses are supplied by a generator having the following characteristics:  
for '90A, '92A, '93A,  $t_r \leq 5$  ns,  $t_f \leq 5$  ns, PRR = 1 MHz, duty cycle = 50%,  $Z_{out} \approx 50$  ohms;  
for 'L90, 'L93,  $t_r \leq 15$  ns,  $t_f \leq 15$  ns, PRR = 500 kHz, duty cycle = 50%,  $Z_{out} \approx 50$  ohms;  
for 'LS90, 'LS92, 'LS93,  $t_r \leq 15$  ns,  $t_f \leq 5$  ns, PRR = 1 MHz, duty cycle = 50%,  $Z_{out} \approx 50$  ohms.
  - B.  $C_L$  includes probe and jig capacitance.
  - C. C1 (30 pF) is applicable for testing 'L90 and 'L93.
  - D. All diodes are 1N916 or 1N3064.
  - E. Each reset input is tested separately with the other reset at 4.5 V.
  - F. Reference waveforms are shown with dashed lines.
  - G. For '90A, '92A, and '93A;  $V_{ref} = 1.5$  V. For 'L90, 'L93, 'LS90, 'LS92, and 'LS93;  $V_{ref} = 1.3$  V.

**FIGURE 1**

**TTL  
MSI**

**TYPES SN5491A, SN54L91, SN54LS91, SN7491A, SN74L91, SN74LS91  
8-BIT SHIFT REGISTERS**

BULLETIN NO. DL-S 7611854, MARCH 1974—REVISED OCTOBER 1976

**MSI TTL SHIFT REGISTERS  
for applications in**

- Digital Computer Systems
- Data-Handling Systems
- Control Systems

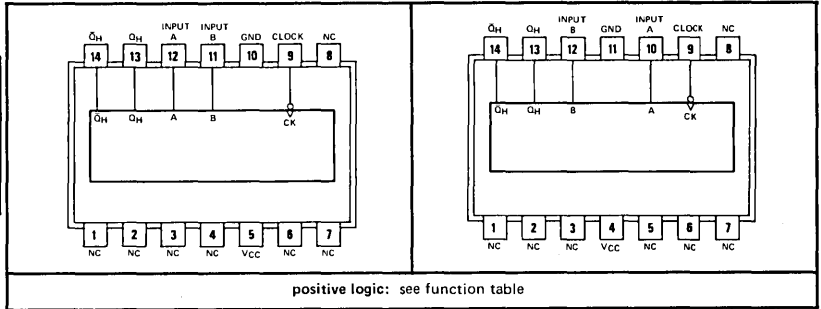
SN5491A, SN54LS91 ... J PACKAGE  
SN54L91, SN7491A, SN74L91, SN74LS91 ... J OR N PACKAGE  
DUAL-IN-LINE PACKAGE (TOP VIEW)

SN5491A, SN54LS91 ... W PACKAGE  
SN54L91, SN74L91 ... T PACKAGE  
FLAT PACKAGE (TOP VIEW)

**FUNCTION TABLE**

INPUTS AT $t_n$		OUTPUTS AT $t_n+B$	
A	B	$Q_H$	$\bar{Q}_H$
H	H	H	L
L	X	L	L
X	L	L	H

H = high, L = low,  
X = irrelevant  
 $t_n$  = Reference bit time,  
clock low  
 $t_n+B$  = Bit time after 8  
low-to-high  
clock transitions.

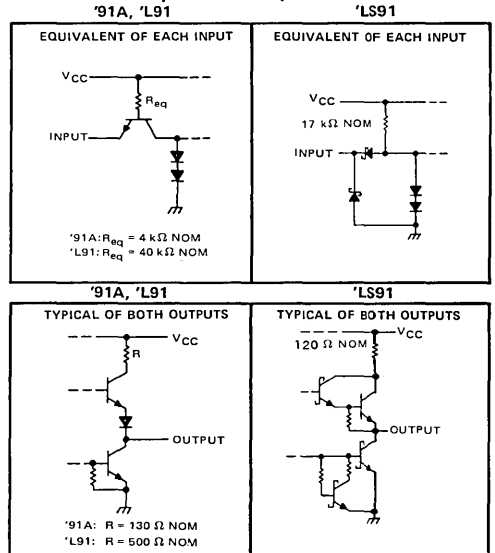


TYPE	TYPICAL MAXIMUM CLOCK FREQUENCY	TYPICAL POWER DISSIPATION
'91A	18 MHz	175 mW
'L91	6.5 MHz	17.5 mW
'LS91	18 MHz	60 mW

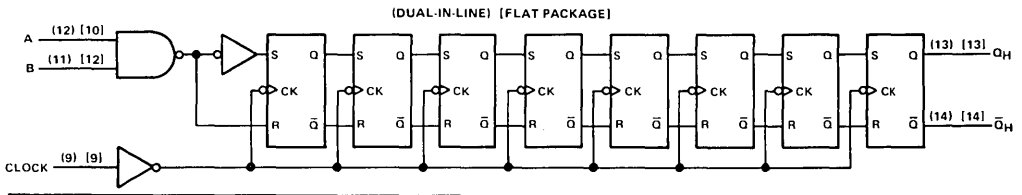
**description**

These monolithic serial-in, serial-out, 8-bit shift registers utilize transistor-transistor logic (TTL) circuits and are composed of eight R-S master-slave flip-flops, input gating, and a clock driver. Single-rail data and input control are gated through inputs A and B and an internal inverter to form the complementary inputs to the first bit of the shift register. Drive for the internal common clock line is provided by an inverting clock driver. This clock pulse inverter/driver causes these circuits to shift information one bit on the positive edge of an input clock pulse.

**schematics of inputs and outputs**



**functional block diagram**



# TYPES SN5491A, SN7491A

## 8-BIT SHIFT REGISTERS

### absolute maximum ratings over operating free-air temperature range (unless otherwise noted)

Supply voltage, $V_{CC}$ (see Note 1)	7 V
Input voltage (see Note 2)	5.5 V
Operating free-air temperature range: SN5491A	-55°C to 125°C
SN7491A	0°C to 70°C
Storage temperature range	-65°C to 150°C

- NOTES: 1. Voltage values are with respect to network ground terminal.  
 2. Input signals must be zero or positive with respect to network ground terminal.

### recommended operating conditions

	SN5491A			SN7491A			UNIT
	MIN	NOM	MAX	MIN	NOM	MAX	
Supply voltage, $V_{CC}$	4.5	5	5.5	4.75	5	5.25	V
High-level output current, $I_{OH}$	-400			-400			$\mu$ A
Low-level output current, $I_{OL}$	16			16			mA
Width of clock input pulse, $t_{W}$	25			25			ns
Setup time, $t_{SU}$ (see Figure 1)	25			25			ns
Hold time, $t_H$ (see Figure 1)	0			0			ns
Operating free-air temperature, $T_A$	-55	125		0	70		°C

### electrical characteristics over recommended operating free-air temperature range (unless otherwise noted)

PARAMETER	TEST CONDITIONS†	SN5491A			SN7491A			UNIT	
		MIN	NOM	MAX	MIN	NOM	MAX		
$V_{IH}$ High-level input voltage		2			2			V	
$V_{IL}$ Low-level input voltage		0.8			0.8			V	
$V_{OH}$ High-level output voltage	$V_{CC} = \text{MIN}$ , $V_{IH} = 2 \text{ V}$ , $V_{IL} = 0.8 \text{ V}$ , $I_{OH} = -400 \mu\text{A}$	2.4	3.5		2.4	3.5		V	
$V_{OL}$ Low-level output voltage	$V_{CC} = \text{MIN}$ , $V_{IH} = 2 \text{ V}$ , $V_{IL} = 0.8 \text{ V}$ , $I_{OL} = 16 \text{ mA}$	0.2		0.4	0.2		0.4	V	
$I_I$ Input current at maximum input voltage	$V_{CC} = \text{MAX}$ , $V_I = 5.5 \text{ V}$	1			1			mA	
$I_{IH}$ High-level input current	$V_{CC} = \text{MAX}$ , $V_I = 2.4 \text{ V}$	40			40			$\mu$ A	
$I_{IL}$ Low-level input current	$V_{CC} = \text{MAX}$ , $V_I = 0.4 \text{ V}$	-1.6			-1.6			mA	
$I_{OS}$ Short-circuit output current §	$V_{CC} = \text{MAX}$	-20	-57		-18	-57		mA	
$I_{CC}$ Supply current	$V_{CC} = \text{MAX}$ , See Note 3	35			50	35		58	mA

†For conditions shown as MIN or MAX, use the appropriate value specified under recommended operating conditions.

‡All typical values are at  $V_{CC} = 5 \text{ V}$ ,  $T_A = 25^\circ\text{C}$ .

§Not more than one output should be shorted at a time.

NOTE 3:  $I_{CC}$  is measured after the eighth clock pulse with the output open and A and B inputs grounded.

### switching characteristics, $V_{CC} = 5 \text{ V}$ , $T_A = 25^\circ\text{C}$

PARAMETER	TEST CONDITIONS	MIN	TYP	MAX	UNIT
$f_{\text{max}}$ Maximum clock frequency	$C_L = 15 \text{ pF}$	10	18		MHz
$t_{\text{PLH}}$ Propagation delay time, low-to-high-level output	$R_L = 400 \Omega$ ,	24		40	ns
$t_{\text{PHL}}$ Propagation delay time, high-to-low-level output	See Figure 1	27		40	ns

# TYPES SN54L91, SN74L91

## 8-BIT SHIFT REGISTERS

### absolute maximum ratings over operating free-air temperature range (unless otherwise noted)

Supply voltage, $V_{CC}$ (see Note 1)	8 V
Input voltage (see Note 2)	5.5 V
Operating free-air temperature range: SN54L91	-55°C to 125°C
SN74L91	0°C to 70°C
Storage temperature range	-65°C to 150°C

- NOTES: 1. Voltage values are with respect to network ground terminal.  
 2. Input signals must be zero or positive with respect to network ground terminal.

### recommended operating conditions

	SN54L91			SN74L91			UNIT
	MIN	NOM	MAX	MIN	NOM	MAX	
Supply voltage, $V_{CC}$	4.5	5	5.5	4.75	5	5.25	V
High-level output current, $I_{OH}$			-100			-200	$\mu$ A
Low-level output current, $I_{OL}$			2			3.6	mA
Width of clock input pulse, $t_w(\text{clock})$	High logic level	100		100			ns
	Low logic level	150		150			ns
Setup time, $t_{SU}$ (see Figure 1)	120			120			ns
Hold time, $t_H$ (see Figure 1)	0			0			ns
Operating free-air temperature, $T_A$	-55		125	0		70	°C

### electrical characteristics over recommended operating free-air temperature range (unless otherwise noted)

PARAMETER	TEST CONDITIONS†	SN54L91			SN74L91			UNIT	
		MIN	TYP‡	MAX	MIN	TYP‡	MAX		
$V_{IH}$ High-level input voltage		2			2			V	
$V_{IL}$ Low-level input voltage				0.7			0.7	V	
$V_{OH}$ High-level output voltage	$V_{CC} = \text{MIN}$ , $V_{IH} = 2 \text{ V}$ , $V_{IL} = 0.7 \text{ V}$ , $I_{OH} = \text{MAX}$	2.4	3.3		2.4	3.2		V	
$V_{OL}$ Low-level output voltage	$V_{CC} = \text{MIN}$ , $V_{IH} = 2 \text{ V}$ , $V_{IL} = 0.7 \text{ V}$ , $I_{OL} = \text{MAX}$		0.15	0.3		0.2	0.4	V	
$I_I$ Input current at maximum input voltage	$V_{CC} = \text{MAX}$ , $V_I = 5.5 \text{ V}$			100			100	$\mu$ A	
$I_{IH}$ High-level input current	$V_{CC} = \text{MAX}$ , $V_I = 2.4 \text{ V}$			10			10	$\mu$ A	
$I_{IL}$ Low-level input current	$V_{CC} = \text{MAX}$ , $V_I = 0.3 \text{ V}$			-0.18			-0.18	mA	
$I_{OS}$ Short-circuit output current	$V_{CC} = \text{MAX}$			-3			-15	mA	
$I_{CC}$ Supply current	$V_{CC} = \text{MAX}$ , See Note 3			3.5	6.6		3.5	6.6	mA

† For conditions shown as MIN or MAX, use the appropriate value specified under recommended operating conditions.

‡ All typical values are at  $V_{CC} = 5 \text{ V}$ ,  $T_A = 25^\circ\text{C}$ .

NOTE 3:  $I_{CC}$  is measured after the eighth clock pulse with the outputs open and A and B inputs grounded.

### switching characteristics, $V_{CC} = 5 \text{ V}$ , $T_A = 25^\circ\text{C}$

PARAMETER	TEST CONDITIONS	MIN	TYP	MAX	UNIT
$f_{\text{max}}$ Maximum clock frequency		3	6.5		MHz
$t_{PLH}$ Propagation delay time, low-to-high-level output	$C_L = 50 \text{ pF}$ , $R_L = 4 \text{ k}\Omega$ , See Figure 1		55	100	ns
$t_{PHL}$ Propagation delay time, high-to-low-level output			100	150	ns

7

# TYPES SN54LS91, SN74LS91

## 8-BIT SHIFT REGISTERS

REVISED OCTOBER 1976

### absolute maximum ratings over operating free-air temperature range (unless otherwise noted)

Supply voltage, $V_{CC}$ (see Note 1)	7 V
Input voltage	7 V
Operating free-air temperature range: SN54LS91	-55°C to 125°C
SN74LS91	0°C to 70°C
Storage temperature range	-65°C to 150°C

NOTES: 1. Voltage values are with respect to network ground terminal.

### recommended operating conditions

	SN54LS91			SN74LS91			UNIT
	MIN	NOM	MAX	MIN	NOM	MAX	
Supply voltage, $V_{CC}$	4.5	5	5.5	4.75	5	5.25	V
High-level output current, $I_{OH}$			-400			-400	$\mu$ A
Low-level output current, $I_{OL}$			4			8	mA
Width of clock input pulse, $t_w$	25			25			ns
Setup time, $t_{SU}$ (see Figure 1)	25			25			ns
Hold time, $t_H$ (see Figure 1)	0			0			ns
Operating free-air temperature, $T_A$	-55		125	0		70	°C

### electrical characteristics over recommended operating free-air temperature range (unless otherwise noted)

PARAMETER	TEST CONDITIONS†	SN54LS91		SN74LS91		UNIT		
		MIN	TYP‡	MAX	MIN		TYP‡	MAX
$V_{IH}$ High-level input voltage		2			2		V	
$V_{IL}$ Low-level input voltage				0.7		0.8	V	
$V_{IK}$ Input clamp voltage	$V_{CC} = \text{MIN}, I_I = -18 \text{ mA}$			-1.5		-1.5	V	
$V_{OH}$ High-level output voltage	$V_{CC} = \text{MIN}, V_{IH} = 2 \text{ V}, V_{IL} = V_{IL} \text{ max}, I_{OH} = -400 \mu\text{A}$	2.5	3.5		2.7	3.5	V	
$V_{OL}$ Low-level output voltage	$V_{CC} = \text{MIN}, V_{IH} = 2 \text{ V}, V_{IL} = V_{IL} \text{ max}$			0.25	0.4	0.25	0.4	V
	$I_{OL} = 4 \text{ mA}$					0.35	0.5	
	$I_{OL} = 8 \text{ mA}$							
$I_I$ Input current at maximum input voltage	$V_{CC} = \text{MAX}, V_I = 7 \text{ V}$			0.1		0.1	mA	
$I_{IH}$ High-level input current	$V_{CC} = \text{MAX}, V_I = 2.7 \text{ V}$			20		20	$\mu$ A	
$I_{IL}$ Low-level input current	$V_{CC} = \text{MAX}, V_I = 0.4 \text{ V}$			-0.4		-0.4	mA	
$I_{OS}$ Short-circuit output current§	$V_{CC} = \text{MAX}$	-20	-100	-20	-100	mA		
$I_{CC}$ Supply current	$V_{CC} = \text{MAX},$ See Note 3	12	20	12	20	mA		

† For conditions shown as MIN or MAX, use the appropriate value specified under recommended operating conditions.

‡ All typical values are at  $V_{CC} = 5 \text{ V}, T_A = 25^\circ\text{C}$ .

§ Not more than one output should be shorted at a time, and duration of the short-circuit should not exceed one second.

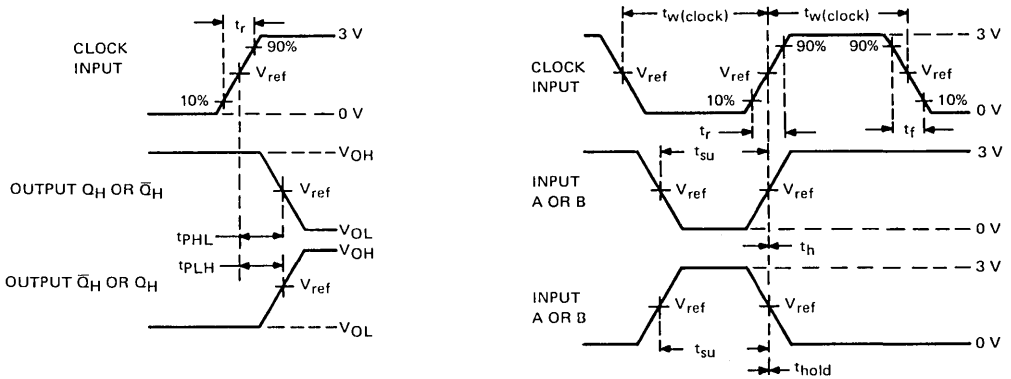
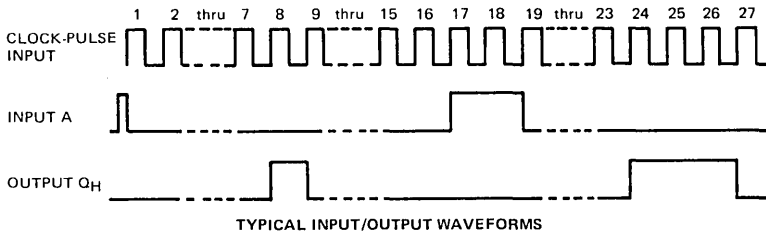
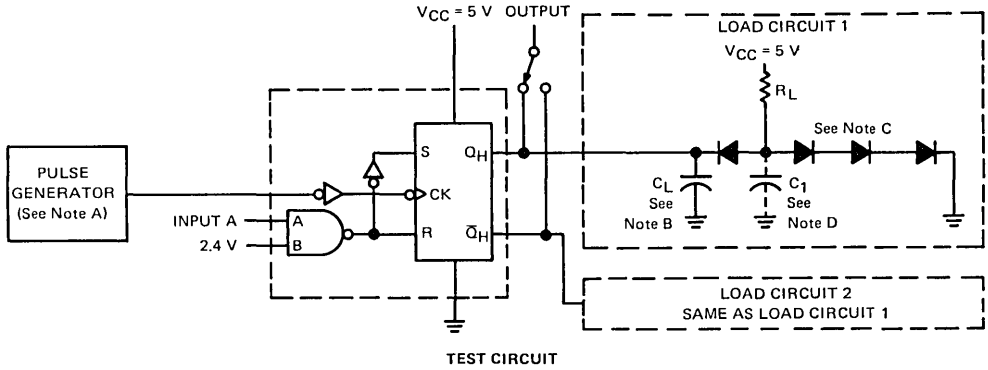
NOTE 3:  $I_{CC}$  is measured after the eighth clock pulse with the output open and A and B inputs grounded.

### switching characteristics, $V_{CC} = 5 \text{ V}, T_A = 25^\circ\text{C}$

PARAMETER	TEST CONDITIONS	MIN	TYP	MAX	UNIT
$f_{\text{max}}$ Maximum clock frequency	$C_L = 15 \text{ pF},$	10	18		MHz
$t_{PLH}$ Propagation delay time, low-to-high-level output	$R_L = 2 \text{ k}\Omega,$		24	40	ns
$t_{PHL}$ Propagation delay time, high-to-low-level output	See Figure 1		27	40	ns

# TYPES SN5491A, SN54L91, SN54LS91, SN7491A, SN74L91, SN74LS91 8-BIT SHIFT REGISTERS

## PARAMETER MEASUREMENT INFORMATION



PROPAGATION DELAY TIMES VOLTAGE WAVEFORMS

SWITCHING TIMES VOLTAGE WAVEFORMS

- NOTES: A. The generator has the following characteristics:  $t_w(\text{clock}) = 500 \text{ ns}$ ,  $\text{PRR} \leq 1 \text{ MHz}$ ,  $Z_{\text{out}} \approx 50 \Omega$ . For SN5491A/SN7491A,  $t_r \leq 10 \text{ ns}$  and  $t_f \leq 10 \text{ ns}$ ; for SN54L91/SN74L91,  $t_r \leq 15 \text{ ns}$  and  $t_f \leq 15 \text{ ns}$ ; and for SN54LS91/SN74LS91,  $t_r = 15 \text{ ns}$ , and  $t_f = 6 \text{ ns}$ .
- B.  $C_L$  includes probe and jig capacitance.
- C. All diodes are 1N3064 or 1N916.
- D.  $C_1 = 30 \text{ pF}$  and is used for SN54L91/SN74L91 only.
- E. For SN5491A/SN7491A,  $V_{\text{ref}} = 1.5 \text{ V}$ ; for SN54L91/SN74L91 and SN54LS91/SN74LS91,  $V_{\text{ref}} = 1.3 \text{ V}$ .

FIGURE 1—SWITCHING TIMES

**TTL MSI PARALLEL-IN SERIAL-OUT REGISTERS**  
for application as

- Dual-Source, Parallel-To-Serial Converter
- Serial-In Serial-Out Register

**description**

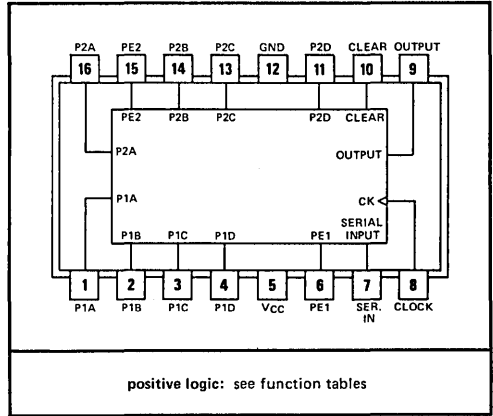
These monolithic shift registers which utilize transistor-transistor logic (TTL) circuits in the familiar Series 54/74 configuration, are composed of four R-S master-slave flip-flops, four AND-OR-INVERT gates, and four inverter-drivers. Internal interconnections of these functions provide a versatile register which performs right-shift operations as a serial-in, serial-out register or as a dual-source, parallel-to-serial converter. A number of these registers may be connected in series to form an n-bit register.

All flip-flops are simultaneously set to a low output level by applying a high-level voltage to the clear input while the internal presets are inactive (high). See the preset function table below. Clearing is independent of the level of the clock input.

The register may be parallel loaded by using the clear input in conjunction with the preset inputs. After clearing all stages to low output levels, data to be loaded is applied to either the P1 or P2 inputs of each register stage (A, B, C, and D) with the corresponding preset enable input, PE1 or PE2, high. Presetting, like clearing, is independent of the level of the clock input.

Transfer of information to the outputs occurs on the positive-going edge of the clock pulse. The proper information must be setup at the R-S inputs of each flip-flop prior to the rising edge of the clock input waveform. The serial input provides this information for the first flip-flop, while the outputs of the subsequent flip-flops provide information for the remaining R-S inputs. The clear input must be at a low level and the internal presets must be inactive (high) when clocking occurs.

SN5494 . . . J OR W PACKAGE  
SN7494 . . . J OR N PACKAGE  
(TOP VIEW)



positive logic: see function tables

**PRESET FUNCTION TABLE**  
(BIT A, TYPICAL OF ALL)

PRESET INPUTS	INTERNAL PRESET A
PE1 P1A PE2 P2A	
L X L X	H (inactive)
L X X L	H (inactive)
X L L X	H (inactive)
X L X L	H (inactive)
H H X X	L (active)
X X H H	L (active)

**REGISTER FUNCTION TABLE**

INTERNAL PRESETS				INPUTS			INTERNAL OUTPUTS			OUTPUT
A	B	C	D	CLEAR	CLOCK	SERIAL	QA	QB	QC	QD
H	H	H	H	H	X	X	L	L	L	L
L	L	L	L	L	X	X	H	H	H	H
H	H	H	H	L	L	X	QA0	QB0	QC0	QD0
L	H	L	H	L	L	X	H	QB0	H	QD0
H	H	H	H	L	↑	H	H	QA <sub>n</sub>	QB <sub>n</sub>	QC <sub>n</sub>
H	H	H	H	L	↑	L	L	QA <sub>n</sub>	QB <sub>n</sub>	QC <sub>n</sub>

H = high level (steady state), L = low level (steady state), X = irrelevant, ↑ = transition from low to high level  
QA0, QB0, QC0, QD0 = the level of QA, QB, QC, or QD, respectively, before the indicated steady-state input conditions were established.  
QA<sub>n</sub>, QB<sub>n</sub>, QC<sub>n</sub> = the level of QA, QB, or QC, respectively, before the most-recent ↑ transition of the clock.

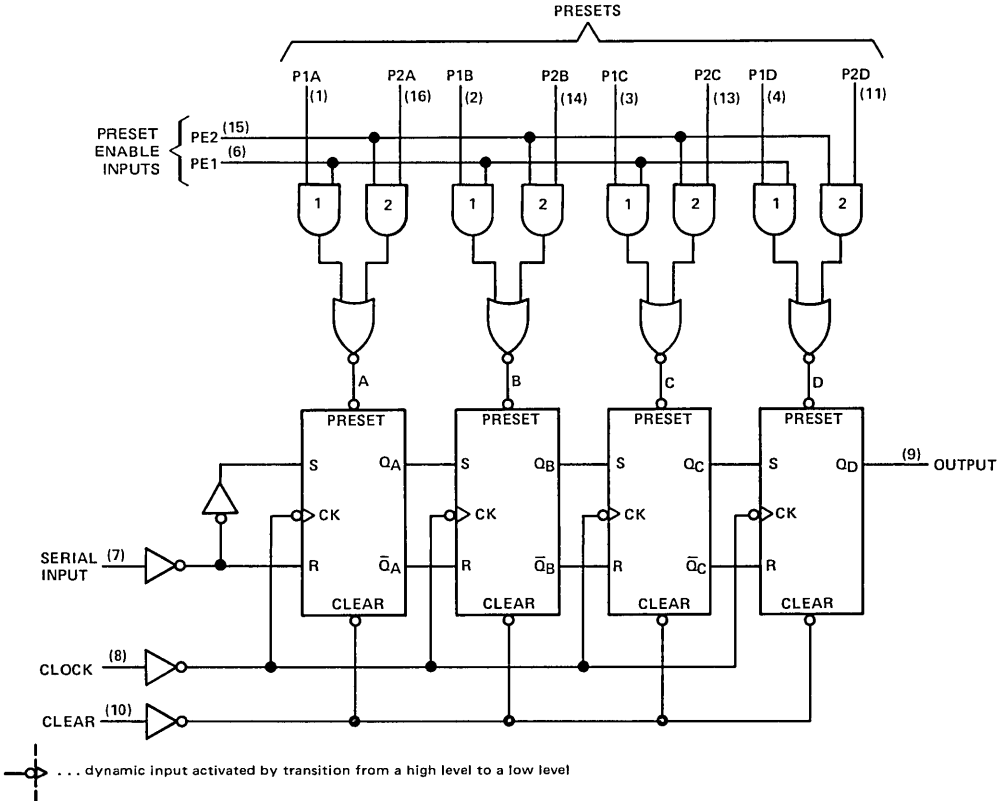
**absolute maximum ratings over operating free-air temperature range (unless otherwise noted)**

Supply voltage, VCC (see Note 1)	7 V
Input voltage (see Note 2)	5.5 V
Operating free-air temperature range: SN5494 Circuits	-55°C to 125°C
SN7494 Circuits	0°C to 70°C
Storage temperature range	-65°C to 150°C

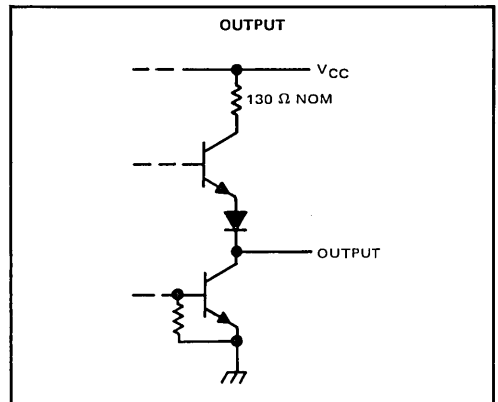
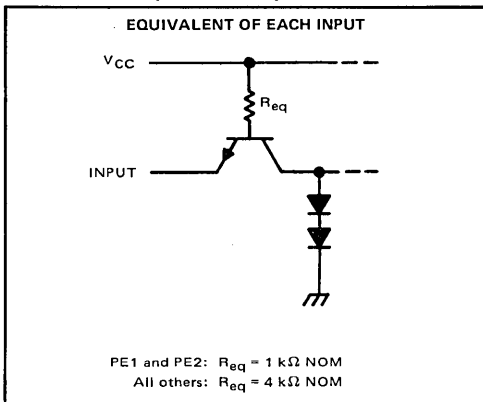
- NOTES: 1. Voltage values are with respect to network ground terminal.  
2. Input voltage must be zero or positive with respect to network ground terminal.

# TYPES SN5494, SN7494 4-BIT SHIFT REGISTERS

functional block diagram



schematics of inputs and output



7



# TYPES SN5494, SN7494

## 4-BIT SHIFT REGISTERS

### recommended operating conditions

	SN5494			SN7494			UNIT
	MIN	NOM	MAX	MIN	NOM	MAX	
Supply voltage, $V_{CC}$	4.5	5	5.5	4.75	5	5.25	V
High-level output current, $I_{OH}$	-400			-400			$\mu$ A
Low-level output current, $I_{OL}$	16			16			mA
Width of clock pulse, $t_w(\text{clock})$	35			35			ns
Width of clear pulse, $t_w(\text{clear})$	30			30			ns
Width of preset pulse, $t_w(\text{preset})$	30			30			ns
Setup time, $t_{su}$	High-level data			35			ns
	Low-level data			25			
Hold time, $t_h$	0			0			ns
Operating free-air temperature, $T_A$	-55			125			$^{\circ}$ C

### electrical characteristics over recommended operating free-air temperature range (unless otherwise noted)

PARAMETER		TEST CONDITIONS†	SN5494			SN7494			UNIT
			MIN	TYP‡	MAX	MIN	TYP‡	MAX	
$V_{IH}$	High-level input voltage		2			2			V
$V_{IL}$	Low-level input voltage		0.8			0.8			V
$V_{OH}$	High-level output voltage	$V_{CC} = \text{MIN}, V_{IH} = 2 \text{ V}, V_{IL} = 0.8 \text{ V}, I_{OH} = -400 \mu\text{A}$	2.4	3.5		2.4	3.5		V
$V_{OL}$	Low-level output voltage	$V_{CC} = \text{MIN}, V_{IH} = 2 \text{ V}, V_{IL} = 0.8 \text{ V}, I_{OL} = 16 \text{ mA}$		0.2	0.4		0.2	0.4	V
$I_I$	Input current at maximum input voltage	$V_{CC} = \text{MAX}, V_I = 5.5 \text{ V}$	1			1			mA
$I_{IH}$	High-level input current	Presets 1 and 2	160			160			$\mu$ A
		Other inputs	40			40			
$I_{IL}$	Low-level input current	Presets 1 and 2	-6.4			-6.4			mA
		Other inputs	-1.6			-1.6			
$I_{OS}$	Short-circuit output current§	$V_{CC} = \text{MAX}$	-20	-57		-18	-57		mA
$I_{CC}$	Supply current	$V_{CC} = \text{MAX}$ , See Note 3	35	50		35	58		mA

† For conditions shown as MIN or MAX, use the appropriate value specified under recommended operating conditions.

‡ All typical values are at  $V_{CC} = 5 \text{ V}, T_A = 25^{\circ}\text{C}$ .

§ Not more than one output should be shorted at a time.

NOTE 3:  $I_{CC}$  is measured with the outputs open, clear grounded following momentary application of 4.5 V, both preset-enable inputs grounded, and all other inputs at 4.5 V.

### switching characteristics, $V_{CC} = 5 \text{ V}, T_A = 25^{\circ}\text{C}$

PARAMETER		TEST CONDITIONS	MIN	TYP	MAX	UNIT
$f_{\text{max}}$	Maximum clock frequency		10			MHz
$t_{PLH}$	Propagation delay time, low-to-high-level output from clock	$C_L = 15 \text{ pF}, R_L = 400 \Omega,$ See Note 4	25		40	ns
$t_{PHL}$	Propagation delay time, high-to-low-level output from clock		25		40	ns
$t_{PLH}$	Propagation delay time, low-to-high-level output from preset		35			ns
$t_{PHL}$	Propagation delay time, high-to-low-level output from clear		40			ns

NOTE 4: Load circuit and voltage waveforms are shown on page 3-10.

TTL  
MSI

# TYPES SN5495A, SN54L95, SN54LS95B, SN7495A, SN74L95, SN74LS95B 4-BIT PARALLEL-ACCESS SHIFT REGISTERS

BULLETIN NO. DL-S 7611872, MARCH 1974—REVISED OCTOBER 1976

TYPE	TYPICAL CLOCK FREQUENCY	MAXIMUM POWER DISSIPATION	TYPICAL
'95A	36 MHz	195 mW	
'L95	5 MHz	19 mW	
'LS95B	36 MHz	65 mW	

## description

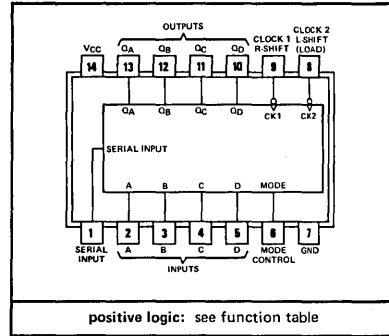
These 4-bit registers feature parallel and serial inputs, parallel outputs, mode control, and two clock inputs. The registers have three modes of operation:

- Parallel (broadside) load
- Shift right (the direction  $Q_A$  toward  $Q_D$ )
- Shift left (the direction  $Q_D$  toward  $Q_A$ )

Parallel loading is accomplished by applying the four bits of data and taking the mode control input high. The data is loaded into the associated flip-flops and appears at the outputs after the high-to-low transition of the clock-2 input. During loading, the entry of serial data is inhibited.

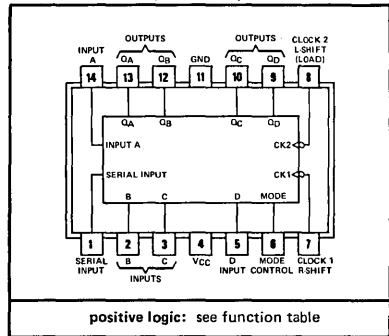
Shift right is accomplished on the high-to-low transition of clock 1 when the mode control is low; shift left is accomplished on the high-to-low transition of clock 2 when the mode control is high by connecting the output of each flip-flop to the parallel input of the previous flip-flop ( $Q_D$  to input C, etc.) and serial data is entered at input D. The clock input may be applied commonly to clock 1 and clock 2 if both modes can be clocked from the same source. Changes at the mode control input should normally be made while both clock inputs are low; however, conditions described in the last three lines of the function table will also ensure that register contents are protected.

SN5495A, SN54LS95B . . . J OR W PACKAGE  
SN7495A, SN74LS95B . . . J OR N PACKAGE  
(TOP VIEW)



positive logic: see function table

SN54L95 . . . J OR T PACKAGE  
SN74L95 . . . J OR N PACKAGE  
(TOP VIEW)



positive logic: see function table

FUNCTION TABLE

MODE CONTROL	INPUTS			OUTPUTS							
	CLOCK 2 (L)	CLOCK 1 (R)	SERIAL	PARALLEL				$Q_{A0}$	$Q_{B0}$	$Q_{C0}$	$Q_{D0}$
				A	B	C	D				
H	H	X	X	X	X	X	X	$Q_{A0}$	$Q_{B0}$	$Q_{C0}$	$Q_{D0}$
H	↓	X	X	a	b	c	d	a	b	c	d
H	↓	X	X	$Q_{Bn}^\dagger$	$Q_{Cn}^\dagger$	$Q_{Dn}^\dagger$	d	$Q_{Bn}$	$Q_{Cn}$	$Q_{Dn}$	d
L	L	H	X	X	X	X	X	$Q_{A0}$	$Q_{B0}$	$Q_{C0}$	$Q_{D0}$
L	X	↓	H	X	X	X	X	H	$Q_{An}$	$Q_{Bn}$	$Q_{Cn}$
L	X	↓	L	X	X	X	X	L	$Q_{An}$	$Q_{Bn}$	$Q_{Cn}$
↑	L	L	X	X	X	X	X	$Q_{A0}$	$Q_{B0}$	$Q_{C0}$	$Q_{D0}$
↓	L	L	X	X	X	X	X	$Q_{A0}$	$Q_{B0}$	$Q_{C0}$	$Q_{D0}$
↓	L	H	X	X	X	X	X	$Q_{A0}$	$Q_{B0}$	$Q_{C0}$	$Q_{D0}$
↑	H	L	X	X	X	X	X	$Q_{A0}$	$Q_{B0}$	$Q_{C0}$	$Q_{D0}$
↑	H	H	X	X	X	X	X	$Q_{A0}$	$Q_{B0}$	$Q_{C0}$	$Q_{D0}$

<sup>†</sup>Shifting left requires external connection of  $Q_B$  to A,  $Q_C$  to B, and  $Q_D$  to C. Serial data is entered at input D.

H = high level (steady state), L = low level (steady state), X = irrelevant (any input, including transitions)

↓ = transition from high to low level, ↑ = transition from low to high level

a, b, c, d = the level of steady-state input at inputs A, B, C, or D, respectively.

$Q_{A0}$ ,  $Q_{B0}$ ,  $Q_{C0}$ ,  $Q_{D0}$  = the level of  $Q_A$ ,  $Q_B$ ,  $Q_C$ , or  $Q_D$ , respectively, before the indicated steady-state input conditions were established.

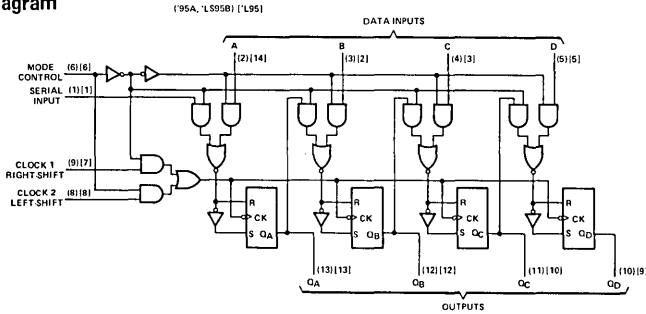
$Q_{An}$ ,  $Q_{Bn}$ ,  $Q_{Cn}$ ,  $Q_{Dn}$  = the level of  $Q_A$ ,  $Q_B$ ,  $Q_C$ , or  $Q_D$ , respectively, before the most-recent ↓ transition of the clock.

7

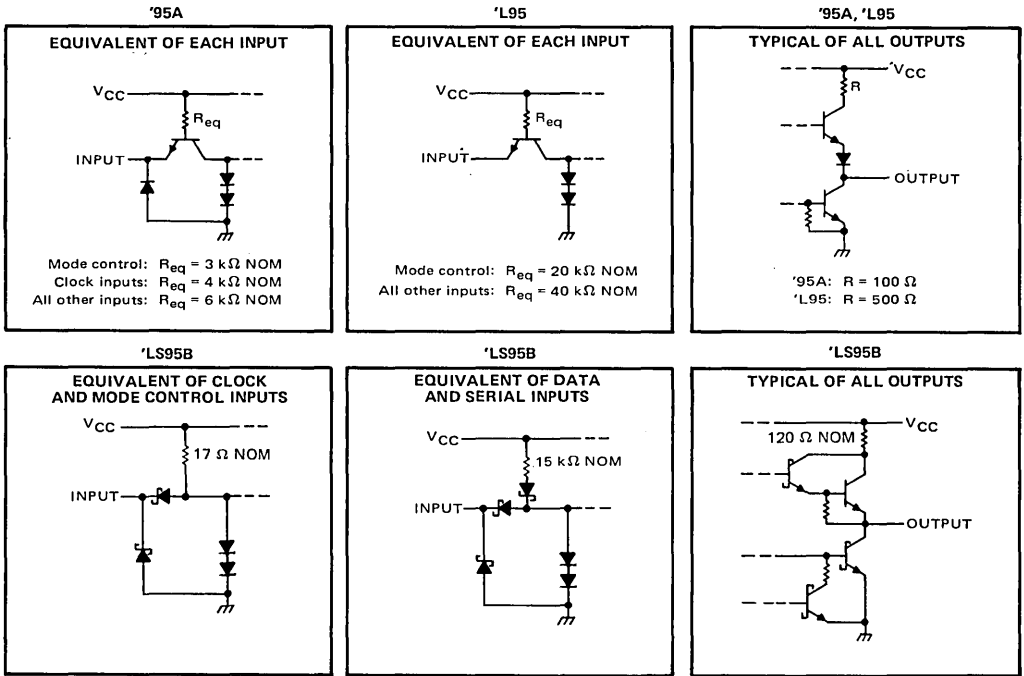
# TYPES SN5495A, SN54L95, SN54LS95B, SN7495A, SN74L95, SN74LS95B 4-BIT PARALLEL-ACCESS SHIFT REGISTERS

REVISED OCTOBER 1976

## functional block diagram



## schematics of inputs and outputs



## absolute maximum ratings over operating free-air temperature range (unless otherwise noted)

	SN54'	SN54L'	SN54LS'	SN74'	SN74L'	SN74LS'	UNIT
Supply voltage, $V_{CC}$ (see Note 1)	7	8	7	7	8	7	V
Input voltage (see Note 2)	5.5	5.5	7	5.5	5.5	7	V
Intermitter voltage (see Note 3)	5.5	5.5		5.5	5.5		V
Operating free-air temperature range	-55 to 125			0 to 70			°C
Storage temperature range	-65 to 150			-65 to 150			°C

- NOTES: 1. Voltage values, except intermitter voltage, are with respect to network ground terminal.  
 2. For the 'L95, input voltages must be zero or positive with respect to network ground terminal.  
 3. This is the voltage between two emitters of a multiple-emitter input transistor. This rating applies between the clock-2 input and the mode control input of the '95A and 'L95.

# TYPES SN5495A, SN7495A 4-BIT PARALLEL-ACCESS SHIFT REGISTERS

REVISED MARCH 1974

## recommended operating conditions

	SN5495A			SN7495A			UNIT
	MIN	NOM	MAX	MIN	NOM	MAX	
Supply voltage, $V_{CC}$	4.5	5	5.5	4.75	5	5.25	V
High-level output current, $I_{OH}$			-800			-800	$\mu$ A
Low-level output current, $I_{OL}$			16			16	mA
Clock frequency, $f_{clock}$	0		25	0		25	MHz
Width of clock pulse, $t_w(\text{clock})$ (see Figure 1)	20			20			ns
Setup time, high-level or low-level data, $t_{SU}$ (see Figure 1)	15			15			ns
Hold time, high-level or low-level data, $t_H$ (see Figure 1)	0			0			ns
Time to enable clock 1, $t_{enable\ 1}$ (see Figure 2)	15			15			ns
Time to enable clock 2, $t_{enable\ 2}$ (see Figure 2)	15			15			ns
Time to inhibit clock 1, $t_{inhibit\ 1}$ (see Figure 2)	5			5			ns
Time to inhibit clock 2, $t_{inhibit\ 2}$ (see Figure 2)	5			5			ns
Operating free-air temperature, $T_A$	-55		125	0		70	$^{\circ}$ C

## electrical characteristics over recommended operating free-air temperature range (unless otherwise noted)

PARAMETER		TEST CONDITIONS†	SN5495A			SN7495A			UNIT
			MIN	TYP‡	MAX	MIN	TYP‡	MAX	
$V_{IH}$	High-level input voltage		2			2			V
$V_{IL}$	Low-level input voltage				0.8			0.8	V
$V_{IK}$	Input clamp voltage	$V_{CC} = \text{MIN}, I_I = -12 \text{ mA}$			-1.5			-1.5	V
$V_{OH}$	High-level output voltage	$V_{CC} = \text{MIN}, V_{IH} = 2 \text{ V}, V_{IL} = 0.8 \text{ V}, I_{OH} = -800 \mu\text{A}$	2.4	3.4		2.4	3.4		V
$V_{OL}$	Low-level output voltage	$V_{CC} = \text{MIN}, V_{IH} = 2 \text{ V}, V_{IL} = 0.8 \text{ V}, I_{OL} = 16 \text{ mA}$		0.2	0.4		0.2	0.4	V
$I_I$	Input current at maximum input voltage	$V_{CC} = \text{MAX}, V_I = 5.5 \text{ V}$			1			1	mA
$I_{IH}$	High-level input current	Serial, A, B, C, D, Clock 1 or 2			40			40	$\mu$ A
		Mode control			80			80	
$I_{IL}$	Low-level input current	Serial, A, B, C, D, Clock 1 or 2			-1.6			-1.6	mA
		Mode control			-3.2			-3.2	
$I_{OS}$	Short-circuit output current§	$V_{CC} = \text{MAX}$	-18		-57	-18		-57	mA
$I_{CC}$	Supply current	$V_{CC} = \text{MAX}, \text{ See Note 4}$		39	63		39	63	mA

† For conditions shown as MIN or MAX, use the appropriate value specified under recommended operating conditions.

‡ All typical values are at  $V_{CC} = 5 \text{ V}, T_A = 25^{\circ}\text{C}$ .

§ Not more than one output should be shorted at a time.

NOTE 4:  $I_{CC}$  is measured with all outputs and serial input open; A, B, C, and D inputs grounded; mode control at 4.5 V; and a momentary 3 V, then ground, applied to both clock inputs.

## switching characteristics, $V_{CC} = 5 \text{ V}, T_A = 25^{\circ}\text{C}$

PARAMETER		TEST CONDITIONS	MIN	TYP	MAX	UNIT
$f_{max}$	Maximum clock frequency	$C_L = 15 \text{ pF}, R_L = 400 \Omega,$ See Figure 1	25	36		MHz
$t_{pLH}$	Propagation delay time, low-to-high-level output from clock			18	27	ns
$t_{pHL}$	Propagation delay time, high-to-low-level output from clock			21	32	ns

# TYPES SN54L95, SN74L95

## 4-BIT PARALLEL-ACCESS SHIFT REGISTERS

### recommended operating conditions

	SN54L95			SN74L95			UNIT
	MIN	NOM	MAX	MIN	NOM	MAX	
Supply voltage, $V_{CC}$	4.5	5	5.5	4.75	5	5.25	V
High-level output current, $I_{OH}$			-100			-200	$\mu$ A
Low-level output current, $I_{OL}$			2			3.6	mA
Clock frequency, $f_{clock}$	0		3	0		3	MHz
Width of clock pulse, $t_w(\text{clock})$ (see Figure 1)	200			200			ns
Setup time, high-level data, $t_{SU}$ (see Figure 1)	100			100			ns
Setup time, low-level data, $t_{SU}$ (see Figure 1)	120			120			ns
Hold time, high-level or low-level data, $t_H$ (see Figure 1)	0			0			ns
Time to enable clock 1, $t_{enable 1}$ (see Figure 2)	225			225			ns
Time to enable clock 2, $t_{enable 2}$ (see Figure 2)	200			200			ns
Time to inhibit clock 1, $t_{inhibit 1}$ (see Figure 2)	100			100			ns
Time to inhibit clock 2, $t_{inhibit 2}$ (see Figure 2)	0			0			ns
Operating free-air temperature, $T_A$	-55		125	0		70	$^{\circ}$ C

### electrical characteristics over recommended operating free-air temperature range (unless otherwise noted)

PARAMETER		TEST CONDITIONS <sup>†</sup>	SN54L95			SN74L95			UNIT	
			MIN	TYP <sup>‡</sup>	MAX	MIN	TYP <sup>‡</sup>	MAX		
$V_{IH}$	High-level input voltage		2			2			V	
$V_{IL}$	Low-level input voltage		0.7			0.7			V	
$V_{OH}$	High-level output voltage	$V_{CC} = \text{MIN}$ , $V_{IH} = 2 \text{ V}$ , $V_{IL} = 0.7 \text{ V}$ , $I_{OH} = \text{MAX}$	2.4	3.3		2.4	3.2		V	
$V_{OL}$	Low-level output voltage	$V_{CC} = \text{MIN}$ , $V_{IH} = 2 \text{ V}$ , $V_{IL} = 0.7 \text{ V}$ , $I_{OL} = \text{MAX}$	0.15	0.3		0.2	0.4		V	
$I_I$	Input current at maximum input voltage	Serial, A, B, C, D, Clock 1 or 2	100			100			$\mu$ A	
		Mode control	200			200				
$I_{IH}$	High-level input current	Serial, A, B, C, D, Clock 1 or 2	10			10			$\mu$ A	
		Mode control	20			20				
$I_{IL}$	Low-level input current	Serial, A, B, C, D, clock 1 or 2	-0.18			-0.18			mA	
		Mode control	-0.36			-0.36				
$I_{OS}$	Short-circuit output current <sup>§</sup>	$V_{CC} = \text{MAX}$	-3	-15		-3	-15		mA	
$I_{CC}$	Supply current	$V_{CC} = \text{MAX}$ , See Note 4	3.8			3.8			9	mA

<sup>†</sup> For conditions shown as MIN or MAX, use the appropriate value specified under recommended operating conditions.

<sup>‡</sup> All typical values are at  $V_{CC} = 5 \text{ V}$ ,  $T_A = 25^{\circ}\text{C}$ .

<sup>§</sup> Not more than one output should be shorted at a time.

NOTE 4:  $I_{CC}$  is measured with all outputs and serial input open; A, B, C, and D inputs grounded; mode control at 4.5 V; and a momentary 3 V, then ground, applied to both clock inputs.

### switching characteristics, $V_{CC} = 5 \text{ V}$ , $T_A = 25^{\circ}\text{C}$

PARAMETER	TEST CONDITIONS	MIN	TYP	MAX	UNIT	
$f_{max}$	Maximum clock frequency	3	5		MHz	
$t_{PLH}$	Propagation delay time, low-to-high-level output from clock	See Figure 1		115	200	ns
$t_{PHL}$	Propagation delay time, high-to-low-level output from clock	See Figure 1		125	200	ns

# TYPES SN54LS95B, SN74LS95B 4-BIT PARALLEL-ACCESS SHIFT REGISTERS

REVISED DECEMBER 1980

## recommended operating conditions

	SN54LS95B			SN74LS95B			UNIT
	MIN	NOM	MAX	MIN	NOM	MAX	
Supply voltage, $V_{CC}$	4.5	5	5.5	4.75	5	5.25	V
High-level output current, $I_{OH}$			-400			-400	$\mu$ A
Low-level output current, $I_{OL}$			4			8	mA
Clock frequency, $f_{clock}$	0		25	0		25	MHz
Width of clock pulse, $t_w(\text{clock})$ (see Figure 1)	20			20			ns
Setup time, high-level or low-level data, $t_{SU}$ (see Figure 1)	20			20			ns
Hold time, high-level or low-level data, $t_H$ (see Figure 1)	20			10			ns
Time to enable clock 1, $t_{enable 1}$ (see Figure 2)	20			20			ns
Time to enable clock 2, $t_{enable 2}$ (see Figure 2)	20			20			ns
Time to inhibit clock 1, $t_{inhibit 1}$ (see Figure 2)	20			20			ns
Time to inhibit clock 2, $t_{inhibit 2}$ (see Figure 2)	20			20			ns
Operating free-air temperature, $T_A$	-55		125	0		70	$^{\circ}$ C

## electrical characteristics over recommended operating free-air temperature range (unless otherwise noted)

PARAMETER	TEST CONDITIONS†	SN54LS95B			SN74LS95B			UNIT
		MIN	TYP‡	MAX	MIN	TYP‡	MAX	
$V_{IH}$ High-level input voltage		2			2			V
$V_{IL}$ Low-level input voltage				0.7			0.8	V
$V_{IK}$ Input clamp voltage	$V_{CC} = \text{MIN}$ , $I_I = -18 \text{ mA}$			-1.5			-1.5	V
$V_{OH}$ High-level output voltage	$V_{CC} = \text{MIN}$ , $V_{IH} = 2 \text{ V}$ , $V_{IL} = V_{IL \text{ max}}$ , $I_{OH} = -400 \mu\text{A}$	2.5	3.4		2.7	3.4		V
$V_{OL}$ Low-level output voltage	$V_{CC} = \text{MIN}$ , $V_{IH} = 2 \text{ V}$ , $V_{IL} = V_{IL \text{ max}}$			0.25	0.4			V
	$I_{OL} = 4 \text{ mA}$ $I_{OL} = 8 \text{ mA}$					0.25	0.5	
$I_I$ Input current at maximum input voltage	$V_{CC} = \text{MAX}$ , $V_I = 7 \text{ V}$			0.1			0.1	mA
$I_{IH}$ High-level input current	$V_{CC} = \text{MAX}$ , $V_I = 2.7 \text{ V}$			20			20	$\mu$ A
$I_{IL}$ Low-level input current	$V_{CC} = \text{MAX}$ , $V_I = 0.4 \text{ V}$			-0.4			-0.4	mA
$I_{OS}$ Short-circuit output current‡	$V_{CC} = \text{MAX}$	-20		-100	-20		-100	mA
$I_{CC}$ Supply current	$V_{CC} = \text{MAX}$ , See Note 4		13	21		13	21	mA

† For conditions shown as MIN or MAX, use the appropriate value specified under recommended operating conditions.

‡ All typical values are at  $V_{CC} = 5 \text{ V}$ ,  $T_A = 25^{\circ} \text{C}$ .

§ Not more than one output should be shorted at a time, and duration of the short-circuit should not exceed one second.

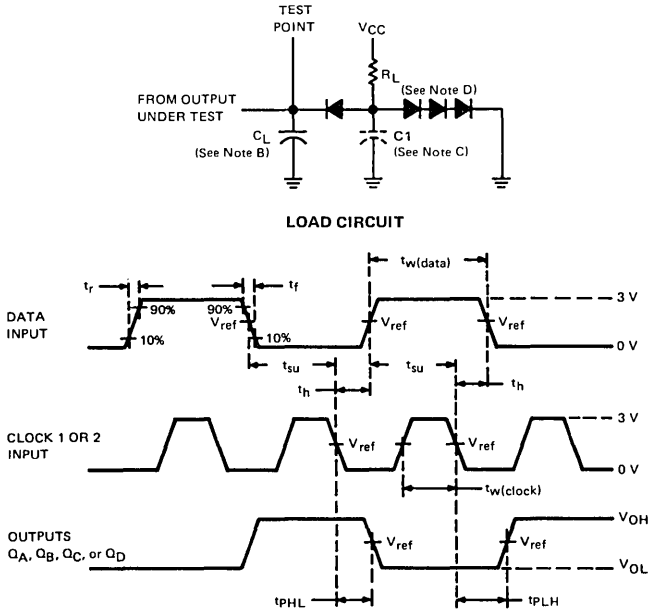
NOTE 4:  $I_{CC}$  is measured with all outputs and serial input open; A, B, C, and D inputs grounded; mode control at 4.5 V; and a momentary 3 V, then ground, applied to both clock inputs.

## switching characteristics, $V_{CC} = 5 \text{ V}$ , $T_A = 25^{\circ} \text{C}$

PARAMETER	TEST CONDITIONS	MIN	TYP	MAX	UNIT
$f_{max}$ Maximum clock frequency	$C_L = 15 \text{ pF}$ , $R_L = 2 \text{ k}\Omega$ , See Figure 1	25	36		MHz
$t_{PLH}$ Propagation delay time, low-to-high-level output from clock			18	27	ns
$t_{PHL}$ Propagation delay time, high-to-low-level output from clock			21	32	ns

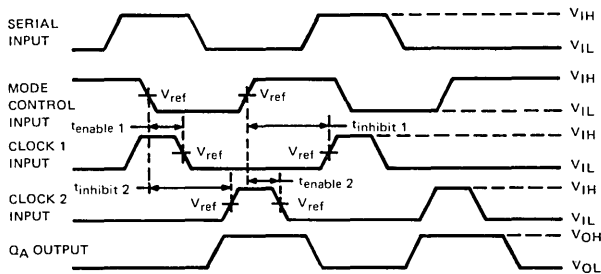
# TYPES SN5495A, SN54L95, SN54LS95B, SN7495A, SN74L95, SN74LS95B 4-BIT PARALLEL-ACCESS SHIFT REGISTERS

## PARAMETER MEASUREMENT INFORMATION



- NOTES:**
- A. Input pulses are supplied by a generator having the following characteristics:  $t_r \leq 10$  ns,  $t_f \leq 10$  ns, and  $Z_{out} \approx 50 \Omega$ . For the data pulse generator, PRR = 500 kHz; for the clock pulse generator, PRR = 1 MHz. When testing  $f_{max}$ , vary PRR. For '95A,  $t_w(data) \geq 20$  ns;  $t_w(clock) \geq 15$  ns. For 'L95,  $t_w(data) \geq 150$  ns;  $t_w(clock) \geq 200$  ns. For 'LS95B,  $t_w(data) \geq 20$  ns,  $t_w(clock) \geq 15$  ns.
  - B.  $C_L$  includes probe and jig capacitance.
  - C. C1 (30 pF) is applicable for testing 'L95.
  - D. All diodes are 1N916 or 1N3064.
  - E. For '95A,  $V_{ref} = 1.5$  V; for 'L95 and 'LS95B,  $V_{ref} = 1.3$  V.

**VOLTAGE WAVEFORMS  
FIGURE 1—SWITCHING TIMES**



- NOTES:**
- A. Input A is at a low level.
  - B. For '95A,  $V_{ref} = 1.5$  V; for 'L95 and 'LS95B,  $V_{ref} = 1.3$  V.

**VOLTAGE WAVEFORMS  
FIGURE 2—CLOCK ENABLE/INHIBIT TIMES**

**TTL  
MSI**

**TYPES SN5496, SN54L96, SN54LS96,  
SN7496, SN74L96, SN74LS96  
5-BIT SHIFT REGISTERS**

BULLETIN NO. DL-S 7611821, MARCH 1974—REVISED OCTOBER 1976

- N-Bit Serial-To-Parallel Converter
- N-Bit Parallel-To-Serial Converter
- N-Bit Storage Register

TYPE	TYPICAL	
	PROPAGATION DELAY TIME	POWER DISSIPATION
'96	25 ns	240 mW
'L96	50 ns	120 mW
'LS96	25 ns	60 mW

**description**

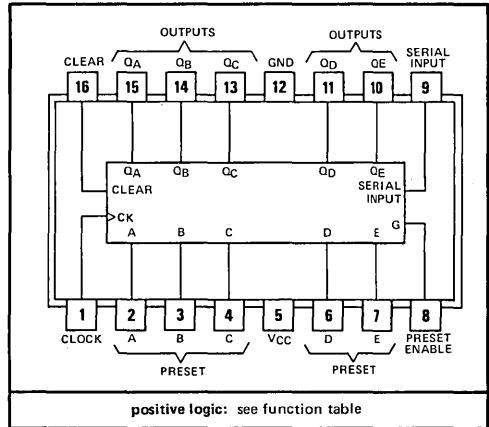
These shift registers consist of five R-S master-slave flip-flops connected to perform parallel-to-serial or serial-to-parallel conversion of binary data. Since both inputs and outputs for all flip-flops are accessible, parallel-in/parallel-out or serial-in/serial-out operation may be performed.

All flip-flops are simultaneously set to a low output level by applying a low-level voltage to the clear input while the preset is inactive (low). Clearing is independent of the level of the clock input.

The register may be parallel loaded by using the clear input in conjunction with the preset inputs. After clearing all stages to low output levels, data to be loaded is applied to the individual preset inputs (A, B, C, D, and E) and a high-level load pulse is applied to the preset enable input. Presetting like clearing is independent of the level of the clock input.

Transfer of information to the outputs occurs on the positive-going edge of the clock pulse. The proper information must be set up at the R-S inputs of each flip-flop prior to the rising edge of the clock input waveform. The serial input provides this information to the first flip-flop, while the outputs of the subsequent flip-flops provide information for the remaining R-S inputs. The clear input must be high and the preset or preset enable inputs must be low when clocking occurs.

SN5496, SN54LS96 . . . J OR W PACKAGE  
SN54L96 . . . J PACKAGE  
SN7496, SN74L96, SN74LS96 . . . J OR N PACKAGE  
(TOP VIEW)



**FUNCTION TABLE**

CLEAR	PRESET ENABLE	INPUTS					CLOCK	SERIAL	OUTPUTS				
		A	B	C	D	E			QA	QB	QC	QD	QE
L	L	X	X	X	X	X	X	X	L	L	L	L	L
L	X	L	L	L	L	L	X	X	L	L	L	L	L
H	H	H	H	H	H	H	X	X	H	H	H	H	H
H	H	L	L	L	L	L	L	X	QA0	QB0	QC0	QD0	QE0
H	H	H	L	H	L	H	L	X	H	QB0	H	QD0	H
H	L	X	X	X	X	X	L	X	QA0	QB0	QC0	QD0	QE0
H	L	X	X	X	X	X	↑	H	QA <sub>n</sub>	QB <sub>n</sub>	QC <sub>n</sub>	QD <sub>n</sub>	
H	L	X	X	X	X	X	↑	L	L	QA <sub>n</sub>	QB <sub>n</sub>	QC <sub>n</sub>	QD <sub>n</sub>

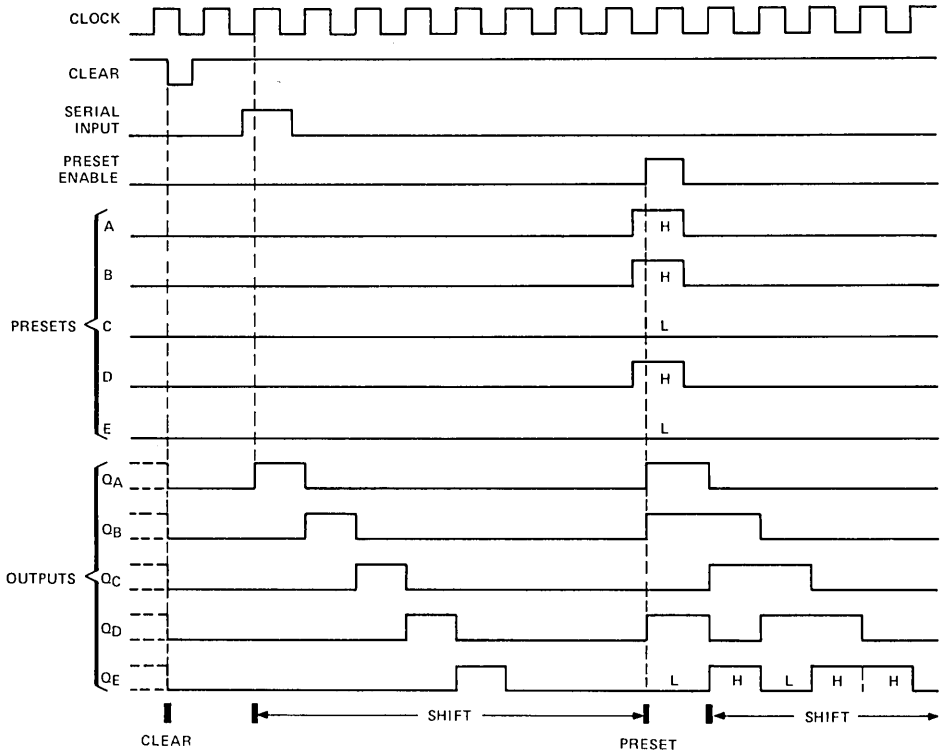
H = high level (steady state), L = low level (steady state)  
X = irrelevant (any input, including transitions)  
↑ = transition from low to high level  
QA0, QB0, etc = the level of QA, QB, etc, respectively before the indicated steady-state input conditions were established.  
QA<sub>n</sub>, QB<sub>n</sub>, etc = the level of QA, QB, etc, respectively before the most-recent ↑ transition of the clock.

7

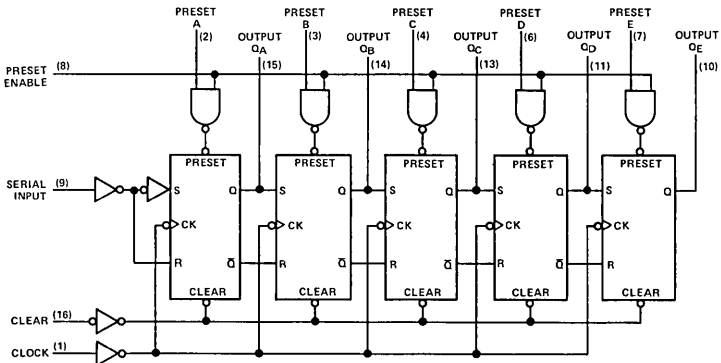


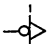
# TYPES SN5496, SN54L96, SN54LS96, SN7496, SN74L96, SN74LS96 5-BIT SHIFT REGISTERS

typical clear, shift, preset, and shift sequences



functional block diagram

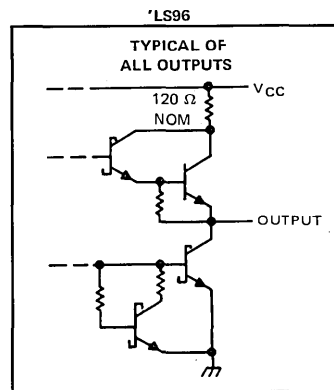
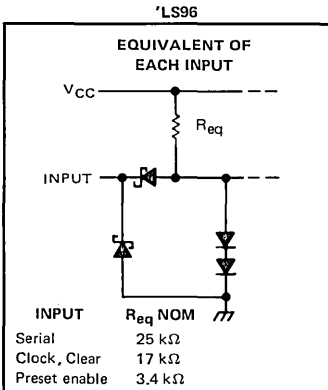
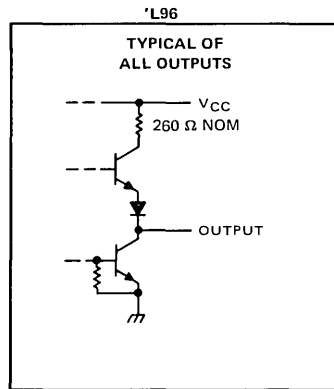
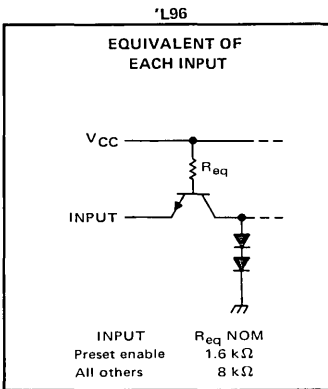
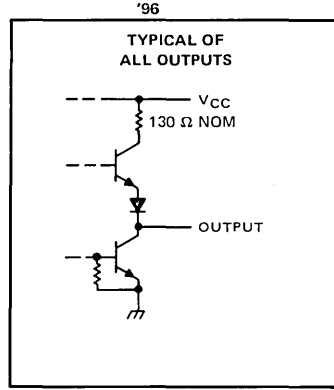
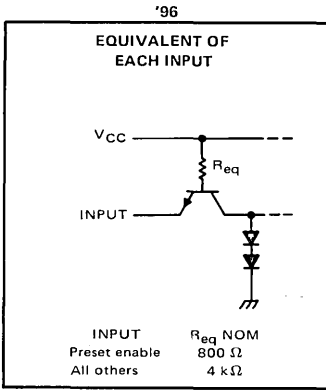


 . . . dynamic input activated by transition from a high level to a low level.

# TYPES SN5496, SN54L96, SN54LS96, SN7496, SN74L96, SN74LS96 5-BIT SHIFT REGISTERS

REVISED OCTOBER 1976

## schematics of inputs and outputs



7

# TYPES SN5496, SN7496

## 5-BIT SHIFT REGISTERS

### absolute maximum ratings over operating free-air temperature range (unless otherwise noted)

Supply voltage, $V_{CC}$ (see Note 1)	7 V
Input voltage (see Note 2)	5.5 V
Operating free-air temperature range: SN5496	-55°C to 125°C
SN7496	0°C to 70°C
Storage temperature range	-65°C to 150°C

- NOTES: 1. Voltage values are with respect to network ground terminal.  
2. Input voltages must be zero or positive with respect to network ground terminal.

### recommended operating conditions

	SN5496			SN7496			UNIT
	MIN	NOM	MAX	MIN	NOM	MAX	
Supply voltage, $V_{CC}$	4.5	5	5.5	4.75	5	5.25	V
High-level output current, $I_{OH}$			-400			-400	$\mu$ A
Low-level output current, $I_{OL}$			16			16	mA
Clock frequency, $f_{clock}$	0		10	0		10	MHz
Width of clock input pulse, $t_{w(clock)}$		35			35		ns
Width of preset and clear input pulse, $t_w$		30			30		ns
Serial input setup time, $t_{su}$ (see Figure 1)		30			30		ns
Serial input hold time, $t_h$ (see Figure 1)		0			0		ns
Operating free-air temperature, $T_A$	-55		125	0		70	°C

### electrical characteristics over recommended operating free-air temperature range (unless otherwise noted)

PARAMETER		TEST CONDITIONS†	SN5496			SN7496			UNIT
			MIN	TYP‡	MAX	MIN	TYP‡	MAX	
$V_{IH}$	High-level input voltage		2			2			V
$V_{IL}$	Low-level input voltage		0.8			0.8			V
$V_{OH}$	High-level output voltage	$V_{CC} = \text{MIN}, V_{IH} = 2 \text{ V}, V_{IL} = 0.8 \text{ V}, I_{OH} = -400 \mu\text{A}$	2.4	3.4		2.4	3.4		V
$V_{OL}$	Low-level output voltage	$V_{CC} = \text{MIN}, V_{IH} = 2 \text{ V}, V_{IL} = 0.8 \text{ V}, I_{OL} = 16 \text{ mA}$		0.2	0.4		0.2	0.4	V
$I_I$	Input current at maximum input voltage	$V_{CC} = \text{MAX}, V_I = 5.5 \text{ V}$	1			1			mA
$I_{IH}$	High-level input current	any input except preset enable	40			40			$\mu$ A
		preset enable	200			200			
$I_{IL}$	Low-level input current	any input except preset enable	-1.6			-1.6			mA
		preset enable	-8			-8			
$I_{OS}$	Short-circuit output current§	$V_{CC} = \text{MAX}$	-20		-57	-18		-57	mA
$I_{CC}$	Supply current	$V_{CC} = \text{MAX}, \text{ See Note 3}$	48		68	48		79	mA

†For conditions shown at MIN or MAX, use the appropriate value specified under recommended operating conditions.

‡All typical values are at  $V_{CC} = 5 \text{ V}, T_A = 25^\circ\text{C}$ .

§Not more than one output should be shorted at a time.

NOTE 3:  $I_{CC}$  is measured with the clear input grounded and all other inputs and outputs open.

### switching characteristics, $V_{CC} = 5 \text{ V}, T_A = 25^\circ\text{C}$

PARAMETER	TEST CONDITIONS	MIN	TYP	MAX	UNIT
$t_{PLH}$	Propagation delay time, low-to-high-level output from clock		25	40	ns
$t_{PHL}$	Propagation delay time, high-to-low-level output from clock		25	40	ns
$t_{PLH}$	Propagation delay time, low-to-high-level output from preset or preset enable		28	35	ns
$t_{PHL}$	Propagation delay time, high-to-low-level output from clear			55	ns

$C_L = 15 \text{ pF}, R_L = 400 \Omega, \text{ See Figure 1}$

# TYPES SN54L96, SN74L96

## 5-BIT SHIFT REGISTERS

### absolute maximum ratings over operating free-air temperature range (unless otherwise noted)

Supply voltage, $V_{CC}$ (see Note 1)	7 V
Input voltage (see Note 2)	5.5 V
Operating free-air temperature range: SN54L96	-55°C to 125°C
SN74L96	0°C to 70°C
Storage temperature range	-65°C to 150°C

- NOTES: 1. Voltage values are with respect to network ground terminal.  
2. Input voltage must be zero or positive with respect to network ground terminal.

### recommended operating conditions

	SN54L96			SN74L96			UNIT
	MIN	NOM	MAX	MIN	NOM	MAX	
Supply voltage, $V_{CC}$	4.5	5	5.5	4.75	5	5.25	V
High-level output current, $I_{OH}$			-200			-200	$\mu$ A
Low-level output current, $I_{OL}$			8			8	mA
Clock frequency, $f_{clock}$		0	5		0	5	MHz
Width of clock, preset, or clear input pulse, $t_w$	100			100			ns
Serial input setup time, $t_{SU}$ (see Figure 1)	100			100			ns
Serial input hold time, $t_H$ (see Figure 1)	0			0			ns
Operating free-air temperature, $T_A$	-55		125	0		70	°C

### electrical characteristics over recommended operating free-air temperature range (unless otherwise noted)

PARAMETER		TEST CONDITIONS†	SN54L96			SN74L96			UNIT
			MIN	TYP‡	MAX	MIN	TYP‡	MAX	
$V_{IH}$	High-level input voltage		2			2			V
$V_{IL}$	Low-level input voltage			0.8			0.8		V
$V_{OH}$	High-level output voltage	$V_{CC} = \text{MIN}$ , $V_{IH} = 2 \text{ V}$ , $V_{IL} = 0.8 \text{ V}$ , $I_{OH} = -200 \mu\text{A}$	2.4	3.2		2.4	3.2		V
$V_{OL}$	Low-level output voltage	$V_{CC} = \text{MIN}$ , $V_{IH} = 2 \text{ V}$ , $V_{IL} = 0.8 \text{ V}$ , $I_{OL} = 8 \text{ mA}$		0.2	0.4		0.2	0.4	V
$I_I$	Input current at maximum input voltage	$V_{CC} = \text{MAX}$ , $V_I = 5.5 \text{ V}$			1			1	mA
$I_{IH}$	High-level input current	any input except preset enable			20			20	$\mu$ A
		preset enable			100			100	
$I_{IL}$	Low-level input current	any input except preset enable			-0.8			-0.8	mA
		preset enable			-4			-4	
$I_{OS}$	Short-circuit output current§	$V_{CC} = \text{MAX}$	-10		-29	-9		-29	mA
$I_{CC}$	Supply current	$V_{CC} = \text{MAX}$ , See Note 3		24	34		24	40	mA

†For conditions shown at MIN or MAX, use the appropriate value specified under recommended operating conditions.

‡All typical values are at  $V_{CC} = 5 \text{ V}$ ,  $T_A = 25^\circ\text{C}$ .

§Not more than one output should be shorted at a time.

NOTE 3:  $I_{CC}$  is measured with the clear input grounded and all other inputs and outputs open.

### switching characteristics, $V_{CC} = 5 \text{ V}$ , $T_A = 25^\circ\text{C}$

PARAMETER		TEST CONDITIONS	MIN	TYP	MAX	UNIT
$t_{PLH}$	Propagation delay time, low-to-high-level output from clock	$C_L = 15 \text{ pF}$ , $R_L = 800 \Omega$ , See Figure 1		50	80	ns
$t_{PHL}$	Propagation delay time, high-to-low-level output from clock			50	80	ns
$t_{PLH}$	Propagation delay time, low-to-high-level output from preset or preset enable			56	70	ns
$t_{PHL}$	Propagation delay time, high-to-low-level output from clear				110	ns

# TYPES SN54LS96, SN74LS96

## 5-BIT SHIFT REGISTERS

REVISED AUGUST 1977

### absolute maximum ratings over operating free-air temperature range (unless otherwise noted)

Supply voltage, $V_{CC}$ (see Note 1)	7 V
Input voltage	7 V
Operating free-air temperature range: SN54LS96	-55°C to 125°C
SN74LS96	0°C to 70°C
Storage temperature range	-65°C to 150°C

NOTE 1: Voltage values are with respect to network ground terminal.

### recommended operating conditions

	SN54LS96			SN74LS96			UNIT
	MIN	NOM	MAX	MIN	NOM	MAX	
Supply voltage, $V_{CC}$	4.5	5	5.5	4.75	5	5.25	V
High-level output current, $I_{OH}$	-400			-400			$\mu$ A
Low-level output current, $I_{OL}$	4			8			mA
Clock frequency, $f_{clock}$	0	25	0	25	25	0	MHz
Width of clock input pulse, $t_{w(clock)}$	20			20			ns
Width of preset and clear input pulse, $t_w$	30			30			ns
Serial input setup time, $t_{setup}$ (see Figure 1)	30			30			ns
Serial input hold time, $t_{hold}$ (see Figure 1)	0			0			ns
Operating free-air temperature, $T_A$	-55	125	0	70	70	0	°C

### electrical characteristics over recommended operating free-air temperature range (unless otherwise noted)

PARAMETER		TEST CONDITIONS†	SN54LS96:			SN74LS96			UNIT		
			MIN	TYP‡	MAX	MIN	TYP‡	MAX			
$V_{IH}$	High-level input voltage		2			2			V		
$V_{IL}$	Low-level input voltage		0.7			0.8			V		
$V_{IK}$	Input clamp voltage	$V_{CC} = \text{MIN}, I_I = -18 \text{ mA}$	-1.5			-1.5			V		
$V_{OH}$	High-level output voltage	$V_{CC} = \text{MIN}, V_{IH} = 2 \text{ V}, V_{IL} = V_{IL \text{ max}}, I_{OH} = -400 \mu\text{A}$	2.5	3.5		2.7	3.5		V		
$V_{OL}$	Low-level output voltage	$V_{CC} = \text{MIN}, V_{IH} = 2 \text{ V}, V_{IL} = V_{IL \text{ max}}$	$I_{OL} = 4 \text{ mA}$		0.25	0.4	$I_{OL} = 8 \text{ mA}$		0.25	0.4	V
$I_I$	Input current at maximum input voltage	Preset enable	$V_{CC} = \text{MAX}, V_I = 7 \text{ V}$			0.5			0.5	mA	
		All others				0.1			0.1		
$I_{IH}$	High-level input current	Preset enable	$V_{CC} = \text{MAX}, V_I = 2.7 \text{ V}$			100			100	$\mu$ A	
		All others				20			20		
$I_{IL}$	Low-level input current	Preset enable	$V_{CC} = \text{MAX}, V_I = 0.4 \text{ V}$			-2			-2	mA	
		All others				-0.4			-0.4		
$I_{OS}$	Short-circuit output current§	$V_{CC} = \text{MAX}$	-20	-100		-20	-100		mA		
$I_{CC}$	Supply current	$V_{CC} = \text{MAX}, \text{ See Note 3}$	12		20	12		20	mA		

†For conditions shown at MIN or MAX, use the appropriate value specified under recommended operating conditions.

‡All typical values are at  $V_{CC} = 5 \text{ V}, T_A = 25^\circ \text{C}$ .

§Not more than one output should be shorted at a time, and duration of the short-circuit should not exceed one second.

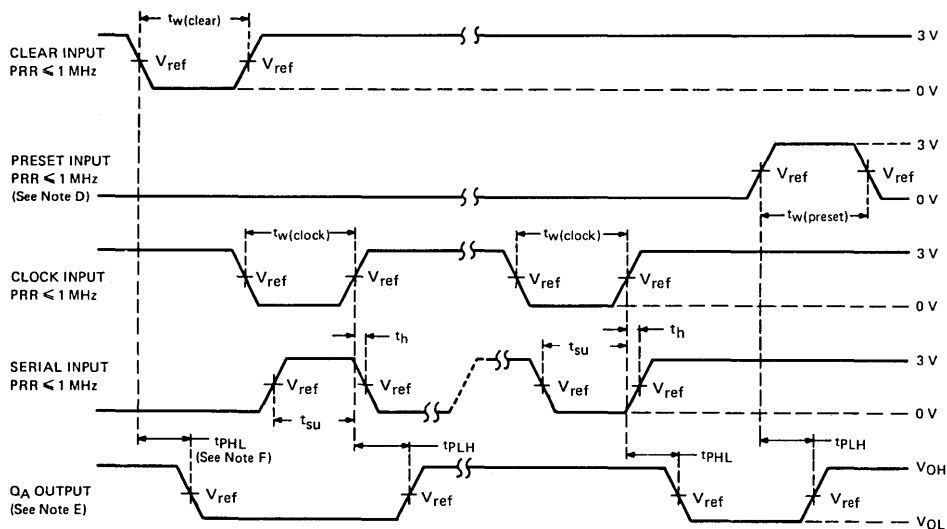
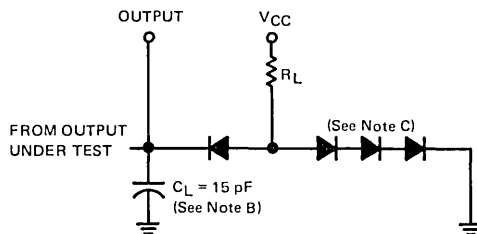
NOTE 3:  $I_{CC}$  is measured with the clear input grounded and all other inputs and outputs open.

### switching characteristics, $V_{CC} = 5 \text{ V}, T_A = 25^\circ \text{C}$

PARAMETER	TEST CONDITIONS	MIN	TYP	MAX	UNIT	
$t_{PLH}$	Propagation delay time, low-to-high-level output from clock	25			40	ns
$t_{PHL}$	Propagation delay time, high-to-low-level output from clock	25			40	ns
$t_{PLH}$	Propagation delay time, low-to-high-level output from preset or preset enable	28			35	ns
$t_{PHL}$	Propagation delay time, high-to-low-level output from clear	55			55	ns

# TYPES SN5496, SN54L96, SN54LS96, SN7496, SN74L96, SN74LS96 5-BIT SHIFT REGISTERS

## PARAMETER MEASUREMENT INFORMATION



- NOTES: A. Input pulses are supplied by pulse generators having the following characteristics: duty cycle  $\leq 50\%$ ,  $Z_{out} \approx 50 \Omega$ ; for '96 and 'L96,  $t_r \leq 10$  ns,  $t_f \leq 10$  ns, and for 'LS96  $t_r = 15$  ns,  $t_f = 6$  ns.
- B.  $C_L$  includes probe and jig capacitance.
- C. All diodes are 1N3064 or 1N916.
- D. Preset may be tested by applying a high-level voltage to the individual preset inputs and pulsing the preset enable or by applying a high-level voltage to the preset enable and pulsing the individual preset inputs.
- E.  $Q_A$  output is illustrated. Relationship of serial input to other Q outputs is illustrated in the typical shift sequence.
- F. Outputs are set to the high level prior to the measurement of  $t_{PHL}$  from the clear input.
- G. For '96 and 'L96,  $V_{ref} = 1.5$  V; for 'LS96  $V_{ref} = 1.3$  V.

FIGURE 1—SWITCHING TIMES

**TTL  
MSI**

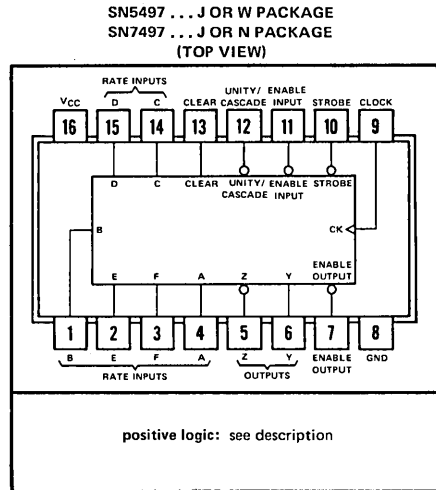
**TYPES SN5497, SN7497  
SYNCHRONOUS 6-BIT BINARY RATE MULTIPLIERS**

BULLETIN NO. DL-S 7611802, DECEMBER 1972—REVISED OCTOBER 1976

- Perform Fixed-Rate or Variable-Rate Frequency Division
- For Applications in Arithmetic, Radar, Digital-to-Analog (D/A), Analog-to-Digital (A/D), and other Conversion Operations
- Typical Maximum Clock Frequency . . . 32 Megahertz

**description**

These monolithic, fully synchronous, programmable counters utilize Series 54/74 TTL circuitry to achieve 32-megahertz typical maximum operating frequencies. These six-bit serial binary counters feature buffered clock, clear, and enable inputs to control the operation of the counter, and a strobe input to enable or inhibit the rate input/decoding AND-OR-INVERT gates. The outputs have additional gating for cascading and transferring unity-count rates.



The counter is enabled when the clear, strobe, and enable inputs are low. With the counter enabled, the output frequency is equal to the input frequency multiplied by the rate input M and divided by 64, ie.:

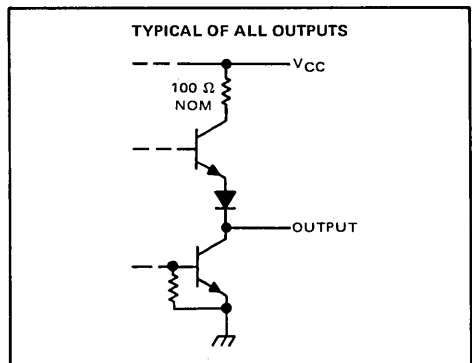
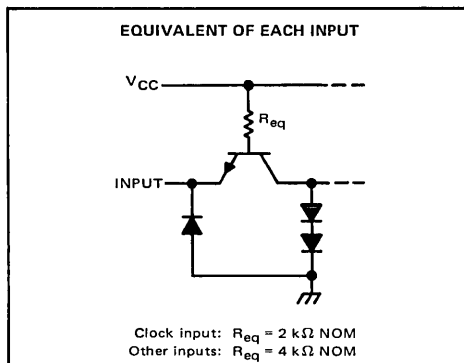
$$f_{out} = \frac{M \cdot f_{in}}{64}$$

where:  $M = F \cdot 2^5 + E \cdot 2^4 + D \cdot 2^3 + C \cdot 2^2 + B \cdot 2^1 + A \cdot 2^0$

When the rate input is binary 0 (all rate inputs low), Z remains high. In order to cascade devices to perform 12-bit rate multiplication, the enable output is connected to the enable and strobe inputs of the next stage, the Z output of each stage is connected to the unity/cascade input of the other stage, and the sub-multiple frequency is taken from the Y output.

The unity/cascade input, when connected to the clock input, may be utilized to pass the clock frequency (inverted) to the Y output when the rate input/decoding gates are inhibited by the strobe. The unity/cascade input may also be used as a control for the Y output.

**schematics of inputs and outputs**



# TYPES SN5497, SN7497 SYNCHRONOUS 6-BIT BINARY RATE MULTIPLIERS

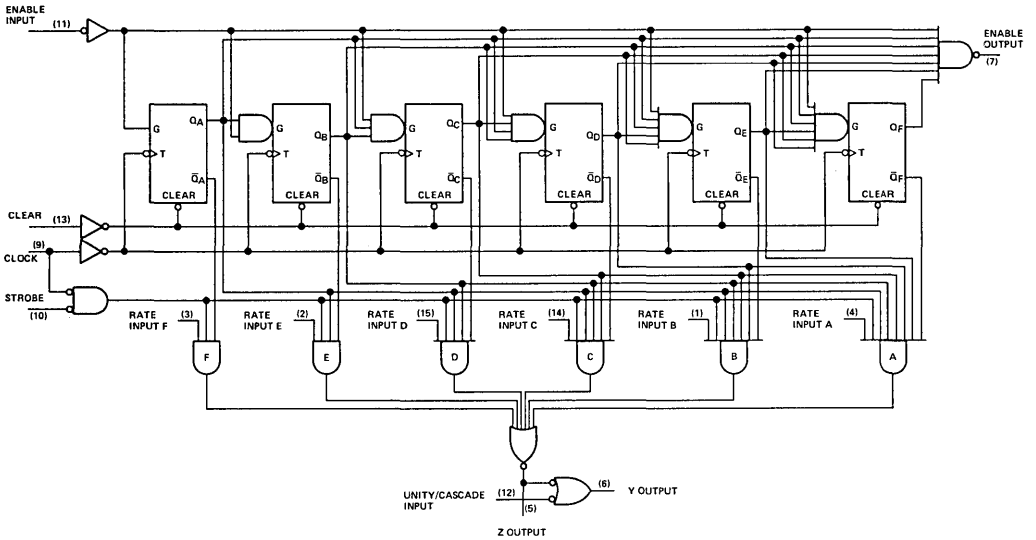
description (continued)

STATE AND/OR RATE FUNCTION TABLE (See Note A)

INPUTS										OUTPUTS				
CLEAR	ENABLE	STROBE	BINARY RATE						NUMBER OF CLOCK PULSES	UNITY/ CASCADE	LOGIC LEVEL OR NUMBER OF PULSES			NOTES
			F	E	D	C	B	A			Y	Z	ENABLE	
H	X	H	X	X	X	X	X	X	X	H	L	H	H	B
L	L	L	L	L	L	L	L	L	64	H	L	H	1	C
L	L	L	L	L	L	L	L	L	64	H	1	1	1	C
L	L	L	L	L	L	L	H	L	64	H	2	2	1	C
L	L	L	L	L	L	H	L	L	64	H	4	4	1	C
L	L	L	L	L	H	L	L	L	64	H	8	8	1	C
L	L	L	L	H	L	L	L	L	64	H	16	16	1	C
L	L	L	H	L	L	L	L	L	64	H	32	32	1	C
L	L	L	H	H	H	H	H	H	64	H	63	63	1	C
L	L	L	L	L	L	L	L	L	64	L	H	63	1	D
L	L	L	H	L	H	L	L	L	64	H	40	40	1	E

- NOTES: A. H = high level, L = low level, X = irrelevant. All remaining entries are numeric counts.  
 B. This is a simplified illustration of the clear function. The states of clock and strobe can affect the logic level of Y and Z. A low unity/cascade will cause output Y to remain high.  
 C. Each rate illustrated assumes a constant value at rate inputs; however, these illustrations in no way prohibit variable-rate inputs.  
 D. Unity/cascade is used to inhibit output Y.  
 E.  $f_{out} = \frac{M \cdot f_{in}}{64} = \frac{(8 + 32) f_{in}}{64} = \frac{40 f_{in}}{64} = 0.625 f_{in}$

functional block diagram





# TYPES SN5497, SN7497

## SYNCHRONOUS 6-BIT BINARY RATE MULTIPLIERS

absolute maximum ratings over operating free-air temperature range (unless otherwise noted)

Supply voltage, $V_{CC}$ (see Note 1)	7 V
Input voltage	5.5 V
Operating free air temperature range: SN5497 (see Note 2)	-55°C to 125°C
SN7497	0°C to 70°C
Storage temperature range	-65°C to 150°C

recommended operating conditions

	SN5497			SN7494			UNIT
	MIN	NOM	MAX	MIN	NOM	MAX	
Supply voltage, $V_{CC}$	4.5	5	5.5	4.75	5	5.25	V
High-level output current, $I_{OH}$			-400			-400	$\mu$ A
Low-level output current, $I_{OL}$			16			16	mA
Clock frequency, $f_{clock}$	0		25	0		25	MHz
Width of clock pulse, $t_w(\text{clock})$	20			20			ns
Width of clear pulse, $t_w(\text{clear})$	15			15			ns
Enable setup time, $t_{su}$ : (See Figure 1)							
Before positive-going transition of clock pulse	25			25			ns
Before negative-going transition of previous clock pulse	0		$t_w(\text{clock}) - 10$	0		$t_w(\text{clock}) - 10$	
Enable hold time, $t_h$ : (See Figure 1)							
After positive-going transition of clock pulse	0		$t_w(\text{clock}) - 10$	0		$t_w(\text{clock}) - 10$	ns
After negative-going transition of previous clock pulse	20		$t_{cp} - 10$	20		$t_{cp} - 10$	
Operating free-air temperature, $T_A$ (See Note 2)	-55		125	0		70	°C

electrical characteristics over recommended operating free-air temperature range (unless otherwise noted)

PARAMETER		TEST CONDITIONS <sup>†</sup>	MIN	TYP <sup>‡</sup>	MAX	UNIT
$V_{IH}$	High-level input voltage			2		V
$V_{IL}$	Low-level input voltage				0.8	V
$V_{IK}$	Input clamp voltage	$V_{CC} = \text{MIN}, I_I = -12 \text{ mA}$			-1.5	V
$V_{OH}$	High-level output voltage	$V_{CC} = \text{MIN}, V_{IH} = 2 \text{ V}, V_{IL} = 0.8 \text{ V}, I_{OH} = -400 \mu\text{A}$	2.4	3.4		V
$V_{OL}$	Low-level output voltage	$V_{CC} = \text{MIN}, V_{IH} = 2 \text{ V}, V_{IL} = 0.8 \text{ V}, I_{OL} = 16 \text{ mA}$		0.2	0.4	V
$I_I$	Input current at maximum input voltage	$V_{CC} = \text{MAX}, V_I = 5.5 \text{ V}$			1	mA
$I_{IH}$	High-level input current	clock input			80	$\mu$ A
		other inputs	$V_{CC} = \text{MAX}, V_I = 2.4 \text{ V}$		40	
$I_{IL}$	Low-level input current	clock input			-3.2	mA
		other inputs	$V_{CC} = \text{MAX}, V_I = 0.4 \text{ V}$		-1.6	
$I_{OS}$	Short circuit output current <sup>§</sup>	$V_{CC} = \text{MAX}$	-18		-55	mA
$I_{CCH}$	Supply current, outputs high	$V_{CC} = \text{MAX},$ See Note 3		58		mA
$I_{CCL}$	Supply current, outputs low	$V_{CC} = \text{MAX},$ See Note 4		80	120	mA

<sup>†</sup>For test conditions shown as MIN or MAX, use the appropriate value specified under recommended operating conditions.

<sup>‡</sup>All typical values are at  $V_{CC} = 5 \text{ V}, T_A = 25^\circ\text{C}$ .

<sup>§</sup>Not more than one output should be shorted at a time.

- NOTES:
1. Voltage values are with respect to network ground terminal.
  2. An SN5497 in the W package operating at free-air temperatures above 118°C requires a heat sink that provides a thermal resistance from case to free-air,  $R_{\theta CA}$ , of not more than 55°C/W.
  3.  $I_{CCH}$  is measured with outputs open and all inputs grounded.
  4.  $I_{CCL}$  is measured with outputs open and all inputs at 4.5 V.

# TYPES SN5497, SN7497 SYNCHRONOUS 6-BIT BINARY RATE MULTIPLIERS

REVISED OCTOBER 1976

switching characteristics,  $V_{CC} = 5\text{ V}$ ,  $T_A = 25^\circ\text{C}$ ,  $N = 10$

PARAMETERS <sup>†</sup>	FROM INPUT	TO OUTPUT	TEST CONDITIONS	MIN	TYP	MAX	UNIT	
$f_{max}$			$C_L = 15\text{ pF}$ , $R_L = 400\ \Omega$ , See Figure 1	25	32		MHz	
$t_{PLH}$	Enable	Enable			13	20		ns
$t_{PHL}$	Strobe	Z			14	21		ns
$t_{PLH}$	Clock	Y			12	18		ns
$t_{PHL}$	Clock	Z			15	23		ns
$t_{PLH}$	Rate	Z			26	39		ns
$t_{PHL}$	Unity/Cascade	Y			20	30		ns
$t_{PLH}$	Strobe	Y			12	18		ns
$t_{PHL}$	Clock	Enable			17	26		ns
$t_{PLH}$	Clear	Y			6	10		ns
$t_{PHL}$	Any Rate Input	Y			9	14		ns
$t_{PLH}$					9	14		ns
$t_{PHL}$					6	10		ns
$t_{PLH}$					19	30		ns
$t_{PHL}$					22	33		ns
$t_{PLH}$					19	30		ns
$t_{PHL}$					22	33		ns
$t_{PLH}$					24	36		ns
$t_{PHL}$					15	23		ns
$t_{PLH}$					15	23		ns
$t_{PHL}$				15	23		ns	

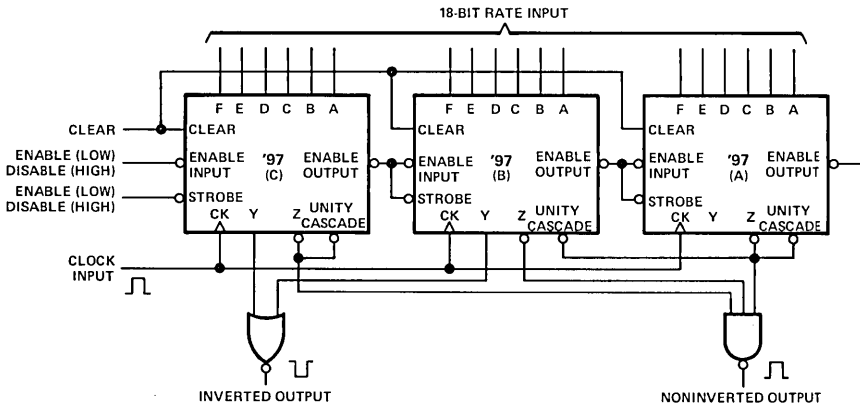
<sup>†</sup> $f_{max}$   $\equiv$  maximum clock frequency.

$t_{PLH}$   $\equiv$  propagation delay time, low-to-high-level output.

$t_{PHL}$   $\equiv$  propagation delay time, high-to-low-level output.

## TYPICAL APPLICATION DATA

This application demonstrates how the '97 can be cascaded to perform 18-bit rate multiplication. This scheme is expandable to n-bits by extending the pattern illustrated.

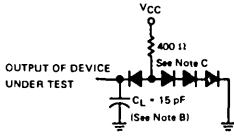


As illustrated, two of the 6-bit multipliers can be cascaded by connecting the Z output of unit A to the unity cascade input of unit B, in which case, a two-input NOR gate is used to cascade the remaining multipliers. Alternatively, all three Y outputs can be cascaded with a 3-input NOR gate. The three unused unity cascade inputs can be conveniently terminated by connecting each to its Z output.

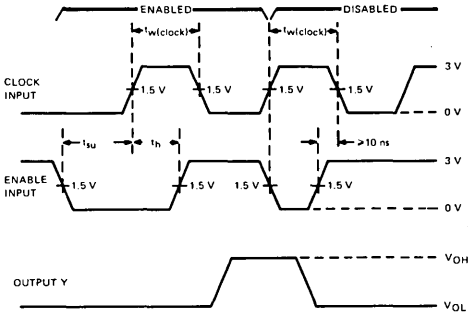
# TYPES SN5497, SN7497

## SYNCHRONOUS 6-BIT BINARY RATE MULTIPLIERS

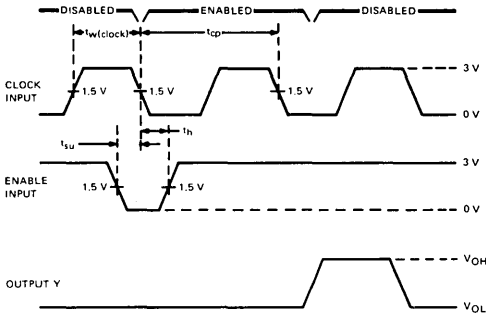
### PARAMETER MEASUREMENT INFORMATION



All three outputs are loaded during testing  
LOAD CIRCUIT



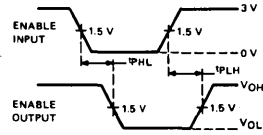
ENABLING FROM POSITIVE-GOING TRANSITION OF CLOCK PULSE



ENABLING FROM NEGATIVE-GOING TRANSITION OF PREVIOUS CLOCK PULSE

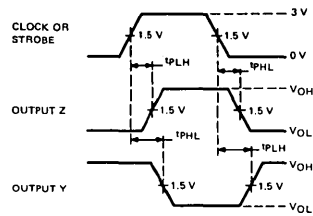
1. Unity/Cascade and pin 2 (rate input) are high, other inputs are low. Clear the counter and apply clock and enable pulse as illustrated.
2. Setup and hold times are illustrated for enabling a single clock pulse (count). Continued application of the enable function will enable subsequent clock pulse (counts) until disabling occurs (enable goes high). The total number of counts will be determined by the total number of positive-going clock transition enabled.

NOTES: A. The input pulse generator has the following characteristics:  $t_{w(\text{clock})} = 20 \text{ ns}$ ,  $t_{TLH} \leq 10 \text{ ns}$ ,  $t_{THL} \leq 10 \text{ ns}$ ,  $\text{PRR} = 1 \text{ MHz}$ ,  $Z_{\text{out}} \approx 50 \Omega$ .  
B.  $C_L$  includes probe and jig capacitance.  
C. All diodes are 1N3064.



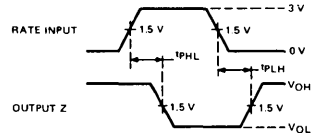
Flip-flops are at the maximum count. Other inputs are low.

PROPAGATION DELAY TIMES, ENABLE INPUT TO ENABLE OUTPUT



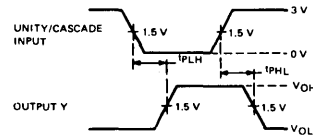
Unity/cascade and rate inputs are high, other inputs are low, and flip-flops are at any count other than maximum.

PROPAGATION DELAY TIMES, CLOCK TO Z AND Y, AND STROBE INPUT TO Z AND Y



Flip-flops are at a count so that all other inputs to the gate under test are high and all other inputs, including other rate inputs, are low.

PROPAGATION DELAY TIMES, RATE INPUT TO Z



Output Z is high.

PROPAGATION DELAY TIMES, UNITY/CASCADE INPUT TO Y

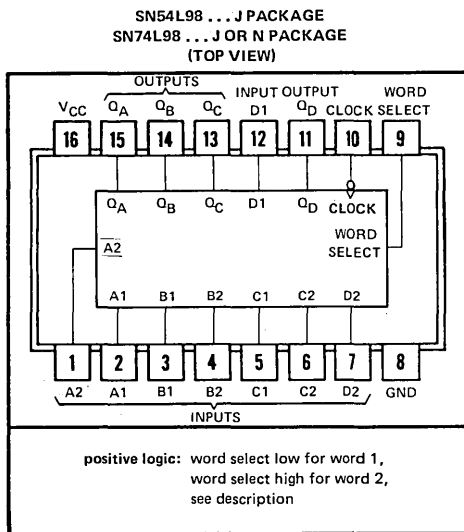
FIGURE 1—SWITCHING TIMES

description

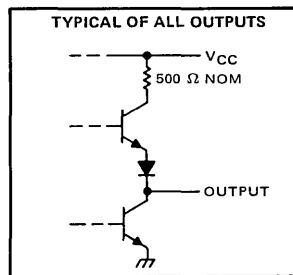
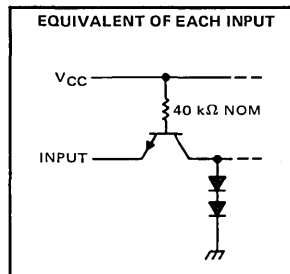
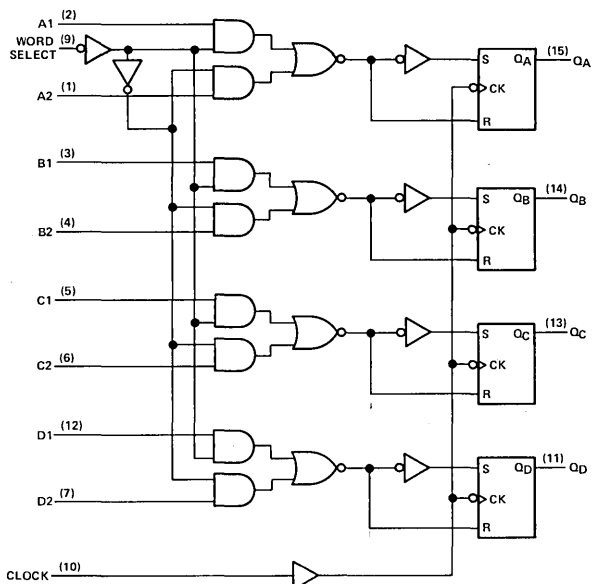
These monolithic data selectors/storage registers are composed of four S-R master-slave flip-flops, four AND-OR-INVERT gates, one buffer, and six inverter/drivers.

When the word select input is low, word 1 (A1, B1, C1, D1) is applied to the flip-flops. A high input to word select will cause the selection of word 2 (A2, B2, C2, D2). The selected word is shifted to the output terminals on the negative-going edge of the clock pulse.

Typical power dissipation is 25 mW. The SN54L98 is characterized for operation over the full military temperature range of  $-55^{\circ}\text{C}$  to  $125^{\circ}\text{C}$ ; the SN74L98 is characterized for operation from  $0^{\circ}\text{C}$  to  $70^{\circ}\text{C}$ .



functional block diagram and schematics of inputs and outputs



... dynamic input activated by transition from a high level to a low level.

# TYPES SN54L98, SN74L98

## 4-BIT DATA SELECTORS/STORAGE REGISTERS

absolute maximum ratings over operating free-air temperature range (unless otherwise noted)

Supply voltage, $V_{CC}$ (see Note 1)	8 V
Input voltage (see Note 2)	5.5 V
Operating free-air temperature range: SN54L98	-55°C to 125°C
SN74L98	0°C to 70°C
Storage temperature range	-65°C to 150°C

NOTES: 1. Voltage values are with respect to network ground terminal.  
2. Input voltages must be zero or positive with respect to network ground terminal.

recommended operating conditions

	SN54L98			SN74L98			UNIT
	MIN	NOM	MAX	MIN	NOM	MAX	
Supply voltage, $V_{CC}$	4.5	5	5.5	4.75	5	5.25	V
High-level output current, $I_{OH}$			-100			-200	$\mu$ A
Low-level output current, $I_{OL}$			2			3.6	mA
Width of clock pulse, $t_w(\text{clock})$	200			200			ns
Setup time for high-level data, $t_{su}(H)$	at A, B, C, or D			100			ns
	at word select			150			
Setup time for low-level data, $t_{su}(L)$	at A, B, C, or D			120			ns
	at word select			100			
Operating free-air temperature, $T_A$	-55			125			0 70 °C

electrical characteristics over recommended operating free-air temperature range (unless otherwise noted)

PARAMETER	TEST CONDITIONS†	SN54L98			SN74L98			UNIT
		MIN	TYP‡	MAX	MIN	TYP‡	MAX	
$V_{IH}$ High-level input voltage		2			2			V
$V_{IL}$ Low-level input voltage		0.7			0.7			V
$V_{OH}$ High-level output voltage	$V_{CC} = \text{MIN}, V_{IL} = 0.7 \text{ V}, I_{OH} = \text{MAX}$	2.4	3.3		2.4	3.2		V
$V_{OL}$ Low-level output voltage	$V_{CC} = \text{MIN}, V_{IL} = 0.7 \text{ V}, I_{OL} = \text{MAX}$		0.15	0.3		0.2	0.4	V
$I_I$ Input current at maximum input voltage	$V_{CC} = \text{MAX}, V_I = 5.5 \text{ V}$			100			100	$\mu$ A
$I_{IH}$ High-level input current	$V_{CC} = \text{MAX}, V_I = 2.4 \text{ V}$			10			10	$\mu$ A
$I_{IL}$ Low-level input current	$V_{CC} = \text{MAX}, V_I = 0.3 \text{ V}$			-0.18			-0.18	mA
$I_{OS}$ Short-circuit output current§	$V_{CC} = \text{MAX}$	-3		-15	-3		-15	mA
$I_{CC}$ Supply current	$V_{CC} = \text{MAX},$ See Note 3		5	9		5	9	mA

†For conditions shown as MIN or MAX, use the appropriate value specified under recommended operating conditions.

‡All typical values are at  $V_{CC} = 5 \text{ V}, T_A = 25^\circ \text{C}$ .

§Not more than one output should be shorted at a time.

NOTE 3:  $I_{CC}$  is measured with all inputs grounded and all outputs open.

switching characteristics,  $V_{CC} = 5 \text{ V}, T_A = 25^\circ \text{C}$

PARAMETER	TEST CONDITIONS	MIN	TYP	MAX	UNIT
$f_{\text{max}}$ Maximum clock frequency		3	5		MHz
$t_{PLH}$ Propagation delay time, low-to-high-level output from clock input	$C_L = 50 \text{ pF}, R_L = 4 \text{ k}\Omega,$ See Note 4		115	200	ns
$t_{PHL}$ Propagation delay time, high-to-low-level output from clock input			125	200	ns

NOTE 4: Load circuit and voltage waveforms are shown on page 3-11.

TTL  
MSI

# TYPES SN54L99, SN74L99 4-BIT RIGHT-SHIFT LEFT-SHIFT REGISTERS

BULLETIN NO. DL-S 7211871, DECEMBER 1972

- N-Bit Serial-to-Parallel Converter
- N-Bit Parallel-to-Serial Converter
- N-Bit Storage Register
- J-K Serial Input

SN54L99 ... J PACKAGE  
SN74L99 ... J OR N PACKAGE  
(TOP VIEW)

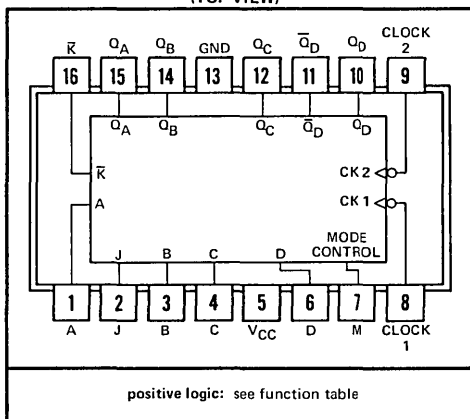
### description

These 4-bit registers feature parallel inputs, parallel outputs, J-K serial inputs, mode control, and two clock inputs. The registers have three modes of operation:

- Parallel (Broadside) load
- Shift right (the direction  $Q_A$  toward  $Q_D$ )
- Shift left (the direction  $Q_D$  toward  $Q_A$ )

Parallel loading is accomplished by applying the four bits of data and taking the mode control input high. The data is loaded into the associated flip-flop and appears at the outputs after the high-to-low transition of the clock-2 input. During loading, the entry of serial data is inhibited.

Shift right is accomplished on a high-to-low transition of clock 1 when the mode control is low. Serial data for the right-shift mode is entered at the J-K inputs. These inputs permit the first stage to perform as a J-K, a D-type, or T-type flip-flop as shown in the function table. Shift left is accomplished on the high-to-low transition of clock 2 when the mode control is high by connecting the output of each flip-flop to the parallel input of the previous flip-flop ( $Q_D$  to input C, etc.). Serial data for this mode is entered at the D input. The clock input may be applied commonly to clock 1 and clock 2 if both modes can be clocked from the same source. Changes at the mode control input should normally be made while both clock inputs are low; however, conditions described in the last three lines of the function table will also ensure that register contents are protected.



FUNCTION TABLE

MODE CONTROL	INPUTS				OUTPUTS									
	2 (L)	1 (R)	J	K	A	B	C	D	$Q_A$	$Q_B$	$Q_C$	$Q_D$	$\bar{Q}_D$	
H	H	X	X	X	X	X	X	X	X	$Q_{A0}$	$Q_{B0}$	$Q_{C0}$	$Q_{D0}$	$\bar{Q}_{D0}$
H	↓	X	X	X	a	b	c	d	a	b	c	d	$\bar{d}$	
H	↓	X	X	X	$Q_{B\uparrow}$	$Q_{C\uparrow}$	$Q_{D\uparrow}$	d	$Q_{Bn}$	$Q_{Cn}$	$Q_{Dn}$	d	$\bar{d}$	
L	L	H	X	X	X	X	X	X	$Q_{A0}$	$Q_{B0}$	$Q_{C0}$	$Q_{D0}$	$\bar{Q}_{D0}$	
L	X	↓	L	H	X	X	X	X	$Q_{A0}$	$Q_{A0}$	$Q_{Bn}$	$Q_{Cn}$	$\bar{Q}_{Cn}$	
L	X	↓	L	L	X	X	X	X	L	$Q_{An}$	$Q_{Bn}$	$Q_{Cn}$	$\bar{Q}_{Cn}$	
L	X	↓	H	H	X	X	X	X	H	$Q_{An}$	$Q_{Bn}$	$Q_{Cn}$	$\bar{Q}_{Cn}$	
L	X	↓	H	L	X	X	X	X	$\bar{Q}_{An}$	$Q_{An}$	$Q_{Bn}$	$Q_{Cn}$	$\bar{Q}_{Cn}$	
↑	L	L	X	X	X	X	X	X	$Q_{A0}$	$Q_{B0}$	$Q_{C0}$	$Q_{D0}$	$\bar{Q}_{D0}$	
↓	L	L	X	X	X	X	X	X	$Q_{A0}$	$Q_{B0}$	$Q_{C0}$	$Q_{D0}$	$\bar{Q}_{D0}$	
↓	L	H	X	X	X	X	X	X	$Q_{A0}$	$Q_{B0}$	$Q_{C0}$	$Q_{D0}$	$\bar{Q}_{D0}$	
↑	H	L	X	X	X	X	X	X	$Q_{A0}$	$Q_{B0}$	$Q_{C0}$	$Q_{D0}$	$\bar{Q}_{D0}$	
↑	H	H	X	X	X	X	X	X	$Q_{A0}$	$Q_{B0}$	$Q_{C0}$	$Q_{D0}$	$\bar{Q}_{D0}$	

† Shifting left requires external connection of  $Q_B$  to A,  $Q_C$  to B, and  $Q_D$  to C. Serial data is entered at input D.

H = high level (steady state), L = low level (steady state)  
X = irrelevant (any input, including transitions)

↓ = transition from high to low level, ↑ = transition from low to high level.

a, b, c, d = the level of steady-state input at inputs A, B, C, or D, respectively.

$Q_{A0}$ ,  $Q_{B0}$ ,  $Q_{C0}$ ,  $Q_{D0}$  = the level of  $Q_A$ ,  $Q_B$ ,  $Q_C$ , or  $Q_D$ , respectively, before the indicated steady-state input conditions were established.

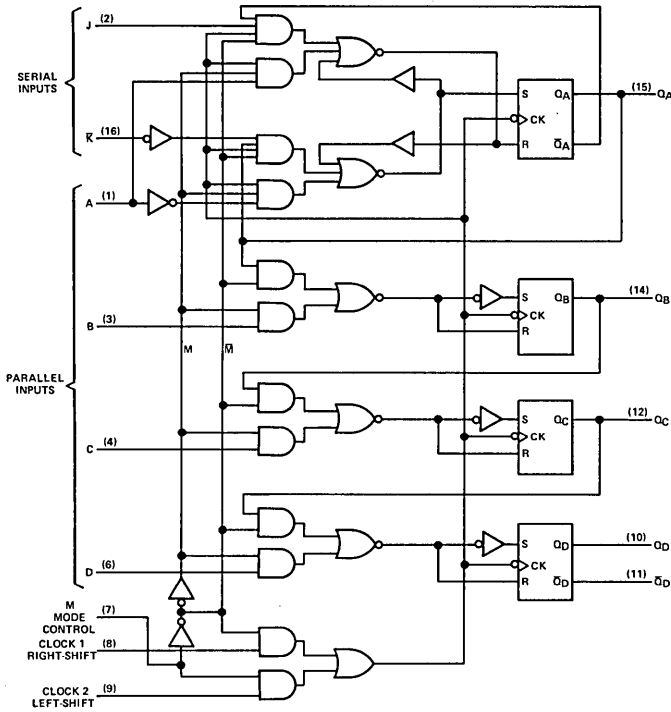
$Q_{An}$ ,  $Q_{Bn}$ ,  $Q_{Cn}$ ,  $Q_{Dn}$  = the level of  $Q_A$ ,  $Q_B$ ,  $Q_C$ , or  $Q_D$ , respectively, before the most-recent ↓ transition of the clock.

7

# TYPES SN54L99, SN74L99

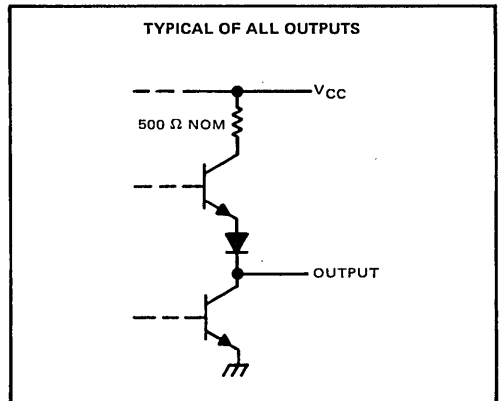
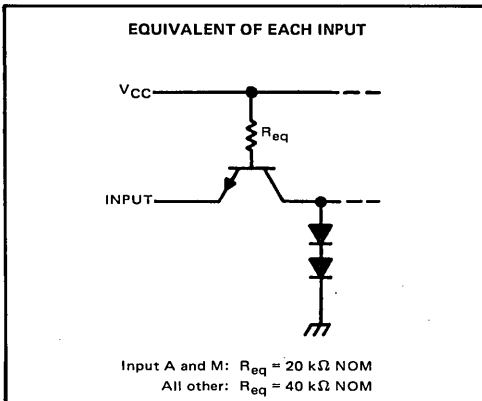
## 4-BIT RIGHT-SHIFT LEFT-SHIFT REGISTERS

functional block diagram



. . . dynamic input activated by transition from a high level to a low level.

### schematics of inputs and outputs



# TYPES SN54L99, SN74L99

## 4-BIT RIGHT-SHIFT LEFT-SHIFT REGISTERS

absolute maximum ratings over operating free-air temperature range (unless otherwise noted)

Supply voltage, $V_{CC}$ (see Note 1)	8 V
Input voltage (see Note 2)	5.5 V
Operating free-air temperature range: SN54L99 Circuits	-55°C to 125°C
SN74L99 Circuits	0°C to 70°C
Storage temperature range	-65°C to 150°C

- NOTES: 1. Voltage values are with respect to network ground terminal.  
 2. Input voltages must be zero or positive with respect to network ground terminal.

### recommended operating conditions

	SN54L99			SN74L99			UNIT
	MIN	NOM	MAX	MIN	NOM	MAX	
Supply voltage, $V_{CC}$	4.5	5	5.5	4.75	5	5.25	V
High-level output current, $I_{OH}$			-100			-200	$\mu$ A
Low-level output current, $I_{OL}$			2			3.6	mA
Width of clock pulse, $t_w(\text{clock})$	200			200			ns
Setup time for high-level data at J, $\bar{K}$ , A, B, C, or D inputs, $t_{su}(H)$	100			100			ns
Setup time for low-level data at J, $\bar{K}$ , A, B, C, or D inputs, $t_{su}(L)$	120			120			ns
Hold time at J, $\bar{K}$ , A, B, C, or D inputs, $t_h$	0			0			ns
Time to enable clock 1, $t_{enable 1}$ (see Figure 1)	225			225			ns
Time to enable clock 2, $t_{enable 2}$ (see Figure 1)	200			200			ns
Time to inhibit clock 1, $t_{inhibit 1}$ (see Figure 1)	100			100			ns
Time to inhibit clock 2, $t_{inhibit 2}$ (see Figure 1)	0			0			ns
Operating free-air temperature, $T_A$	-55		125	0		70	°C

electrical characteristics over recommended operating free-air temperature range (unless otherwise noted)

PARAMETER		TEST CONDITIONS†	SN54L99			SN74L99			UNIT
			MIN	TYP‡	MAX	MIN	TYP‡	MAX	
$V_{IH}$	High-level input voltage		2			2			V
$V_{IL}$	Low-level input voltage				0.7			0.7	V
$V_{OH}$	High-level output voltage	$V_{CC} = \text{MIN}, V_{IH} = 2 \text{ V}, V_{IL} = 0.7 \text{ V}, I_{OH} = \text{MAX}$	2.4	3.3		2.4	3.2		V
$V_{OL}$	Low-level output voltage	$V_{CC} = \text{MIN}, V_{IH} = 2 \text{ V}, V_{IL} = 0.7 \text{ V}, I_{OL} = \text{MAX}$		0.15	0.3		0.2	0.4	V
$I_I$	Input current at maximum input voltage	J, $\bar{K}$ , B, C, or D			100			100	$\mu$ A
		M or A			200		200		
$I_{IH}$	High-level input current	J, $\bar{K}$ , B, C, or D			10			10	$\mu$ A
		M or A			20		20		
$I_{IL}$	Low-level input current	J, $\bar{K}$ , B, C, or D			-0.18			-0.18	mA
		M or A			-0.36		-0.36		
$I_{OS}$	Short-circuit output current§	$V_{CC} = \text{MAX}$	-3		-15		-3		mA
$I_{CC}$	Supply current	$V_{CC} = \text{MAX},$ See Note 3		3.8	9		3.8	9	mA

† For conditions shown as MIN or MAX, use the appropriate value specified under recommended operating conditions for the applicable type.  
 ‡ All typical values are at  $V_{CC} = 5 \text{ V}, T_A = 25^\circ\text{C}$ .

§ Not more than one output should be shorted at a time.

NOTE 3: With all outputs and J and  $\bar{K}$  inputs open, mode control at 4.5 V, inputs A through D grounded,  $I_{CC}$  is measured after a momentary 3 V, then ground, is applied to both clock inputs.

### switching characteristics, $V_{CC} = 5 \text{ V}, T_A = 25^\circ\text{C}$

PARAMETER	TEST CONDITIONS	MIN	TYP	MAX	UNIT
$f_{max}$ Maximum clock frequency	$C_L = 50 \text{ pF}, R_L = 4 \text{ k}\Omega,$ See Figure 2	3	5		MHz
$tp_{LH}$ Propagation delay time, low-to-high-level output from either clock		115	200		ns
$tp_{HL}$ Propagation delay time, high-to-low-level output from either clock		125	200		ns

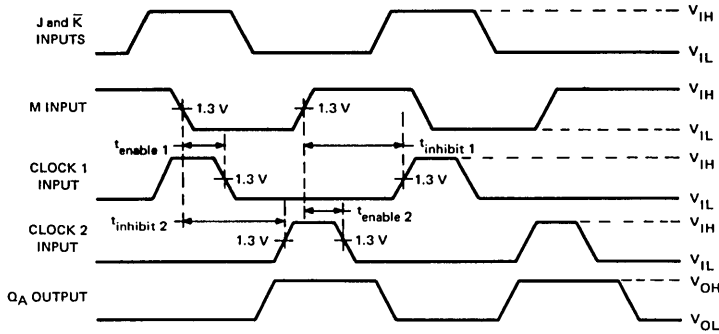
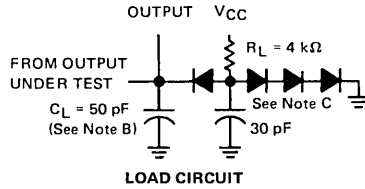




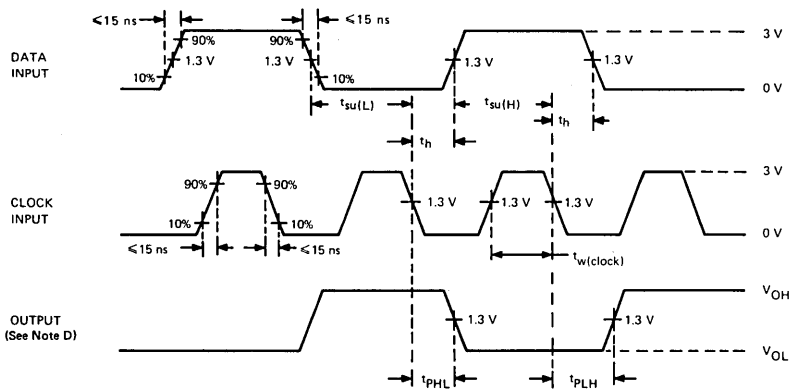
# TYPES SN54L99, SN74L99

## 4-BIT RIGHT-SHIFT LEFT-SHIFT REGISTERS

### PARAMETER MEASUREMENT INFORMATION



VOLTAGE WAVEFORMS  
FIGURE 1—CLOCK ENABLE/INHIBIT TIMES



VOLTAGE WAVEFORMS  
FIGURE 2—SWITCHING TIMES

- NOTES: A. The input waveforms are supplied by pulse generators having the following characteristics:  $Z_{out} \approx 50 \Omega$ . For data pulse generator:  $t_w \geq 150$  ns,  $PRR \leq 500$  kHz,  $t_{setup(L)} = 120$  ns, and  $t_{setup(H)} = 100$  ns. For clock pulse generator:  $t_w \geq 200$  ns and  $PRR \leq 1$  MHz. When testing  $f_{max}$ , vary PRR.
- B.  $C_L$  includes probe and jig capacitance.
- C. All diodes are 1N916.
- D. When data input is applied to J and  $\bar{K}$  inputs, the output waveform applies only to output  $Q_A$ .

logic

FUNCTION TABLE  
(Each Latch)

INPUTS		OUTPUTS	
D	G	Q	$\bar{Q}$
L	H	L	H
H	H	H	L
X	L	$Q_0$	$\bar{Q}_0$

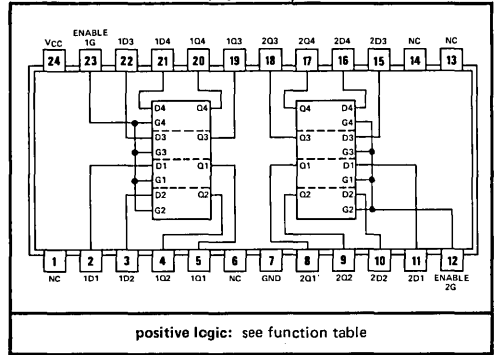
H = high level, X = irrelevant  
 $Q_0$  = the level of Q before the high-to-low transition of G

description

These latches are ideally suited for use as temporary storage for binary information between processing units and input/output or indicator units. Information present at a data (D) input is transferred to the Q output when the enable (G) is high and the Q output will follow the data input as long as the enable remains high. When the enable goes low, the information (that was setup at the data input at the time the transition occurred) is retained at the Q output until the enable is permitted to go high.

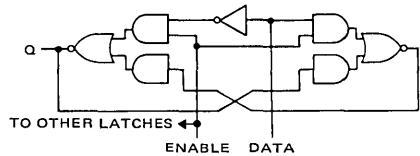
These circuits are completely compatible with all popular TTL or DTL families. All inputs are diode-clamped to minimize transmission-line effects and simplify system design. Typical power dissipation is 40 milliwatts per latch. The SN54100 is characterized for operation over the full military temperature range of  $-55^{\circ}$  to  $125^{\circ}\text{C}$ ; the SN74100 is characterized for operation from  $0^{\circ}\text{C}$  to  $70^{\circ}\text{C}$ .

SN54100 . . . J OR W PACKAGE  
SN54100 . . . J OR N PACKAGE  
(TOP VIEW)

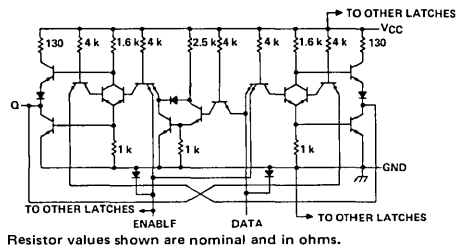


NC—No internal connection

functional block diagram (each latch)



schematic (each latch)



absolute maximum ratings over operating free-air temperature range (unless otherwise noted)

Supply voltage, $V_{CC}$ (see Note 1)	7 V
Input voltage	5.5 V
Intermitter voltage (see Note 2)	5.5 V
Operating free-air temperature range: SN54100	$-55^{\circ}\text{C}$ to $125^{\circ}\text{C}$
SN74100	$0^{\circ}\text{C}$ to $70^{\circ}\text{C}$
Storage temperature range	$-65^{\circ}\text{C}$ to $150^{\circ}\text{C}$

- NOTES: 1. Voltage values, except intermitter voltage, are with respect to network ground terminal.  
2. This is the voltage between two emitters of a multiple-emitter input transistor. For this circuit, this rating applies between the enable and D inputs of any latch.

# TYPES SN54100, SN74100

## 8-BIT BISTABLE LATCHES

REVISED OCTOBER 1976

### recommended operating conditions

	SN54100			SN74100			UNIT
	MIN	NOM	MAX	MIN	NOM	MAX	
Supply voltage, $V_{CC}$	4.5	5	5.5	4.75	5	5.25	V
High-level output current, $I_{OH}$			-400			-400	$\mu$ A
Low-level output current, $I_{OL}$			16			16	mA
Width of enabling pulse, $t_w$	20			20			ns
Setup time, $t_{su}$	20			20			ns
Hold time, $t_h$	5			5			ns
Operating free-air temperature, $T_A$	-55		125	0		70	$^{\circ}$ C

### electrical characteristics over recommended operating free-air temperature (unless otherwise noted)

PARAMETER		TEST CONDITIONS <sup>†</sup>	MIN	TYP <sup>‡</sup>	MAX	UNIT
$V_{IH}$	High-level input voltage		2			V
$V_{IL}$	Low-level input voltage				0.8	V
$V_{IK}$	Input clamp voltage	$V_{CC} = \text{MIN}, I_I = -12 \text{ mA}$			-1.5	V
$V_{OH}$	High-level output voltage	$V_{CC} = \text{MIN}, V_{IH} = 2 \text{ V}, V_{IL} = 0.8 \text{ V}, I_{OH} = -400 \mu\text{A}$	2.4	3.4		V
$V_{OL}$	Low-level output voltage	$V_{CC} = \text{MIN}, V_{IH} = 2 \text{ V}, V_{IL} = 0.8 \text{ V}, I_{OL} = 16 \text{ mA}$		0.2	0.4	V
$I_I$	Input current at maximum input voltage	$V_{CC} = \text{MAX}, V_I = 5.5 \text{ V}$			1	mA
$I_{IH}$	High-level input current	D input	$V_{CC} = \text{MAX}, V_I = 2.4 \text{ V}$		80	$\mu$ A
		G input			320	
$I_{IL}$	Low-level input current	D input	$V_{CC} = \text{MAX}, V_I = 0.4 \text{ V}$		-3.2	mA
		G input			-12.8	
$I_{OS}$	Short-circuit output current <sup>§</sup>	$V_{CC} = \text{MAX}$	SN54100	-20	-57	mA
			SN74100	-18	-57	
$I_{CC}$	Supply current	$V_{CC} = \text{MAX},$ See Note 3	SN54100	64	92	mA
			SN74100	64	106	

<sup>†</sup> For conditions shown as MIN or MAX, use the appropriate value specified under recommended operating conditions.

<sup>‡</sup> All typical values are at  $V_{CC} = 5 \text{ V}, T_A = 25^{\circ}\text{C}$ .

<sup>§</sup> Not more than one output should be shorted at a time.

NOTE 3:  $I_{CC}$  is tested with all inputs grounded and all outputs open.

### switching characteristics, $V_{CC} = 5 \text{ V}, T_A = 25^{\circ}\text{C}$

PARAMETER <sup>¶</sup>	FROM (INPUT)	TO (OUTPUT)	TEST CONDITIONS	MIN	TYP	MAX	UNIT
$t_{PLH}$	D	Q	$C_L = 15 \text{ pF},$ $R_L = 400 \Omega,$ See Note 4		16	30	ns
$t_{PHL}$					14	25	
$t_{PLH}$	G	Q			16	30	ns
$t_{PHL}$					7	15	

<sup>¶</sup>  $t_{PLH} \equiv$  propagation delay time, low-to-high-level output

$t_{PHL} \equiv$  propagation delay time, high-to-low-level output

NOTE 4: Test circuit and voltage waveforms are the same as those shown for the '75, '77, 'L75, and 'L77 on page 7-40.

TTL  
MSI

# TYPES SN54116, SN74116 DUAL 4-BIT LATCHES WITH CLEAR

BULLETIN NO. DL-S 7211849, DECEMBER 1972

- Two Independent 4-Bit Latches in a Single Package
- Separate Clear Inputs Provide One-Step Clearing Operation
- Dual Gated Enable Inputs Simplify Cascading and Register Implementations
- Compatible for Use with TTL and DTL Circuits
- Input Clamping Diodes Simplify System Design

### description

These monolithic TTL circuits utilize D-type bistables to implement two independent four-bit latches in a single package. Each four-bit latch has an independent asynchronous clear input and a gated two-input enable circuit. When both enable inputs are low, the output levels will follow the data input levels. When either or both of the enable inputs are taken high, the outputs remain at the last levels setup at the inputs prior to the low-to-high-level transition at the enable input(s). After this, the data inputs are locked out.

The clear input is overriding and when taken low will reset all four outputs low regardless of the levels of the enable inputs.

The SN54116 is characterized for operation over the full military temperature range of  $-55^{\circ}\text{C}$  to  $125^{\circ}\text{C}$ ; the SN74116 is characterized for operation from  $0^{\circ}\text{C}$  to  $70^{\circ}\text{C}$ .

FUNCTION TABLE  
(EACH LATCH)

CLEAR	ENABLE		DATA	OUTPUT Q
	$\bar{G}_1$	$\bar{G}_2$		
H	L	L	L	L
H	L	L	H	H
H	X	H	X	$Q_0$
H	H	X	X	$Q_0$
L	X	X	X	L

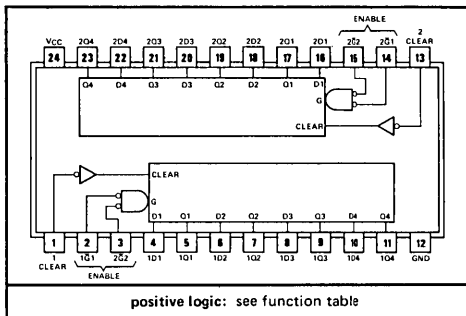
H = high level, L = low level, X = irrelevant  
 $Q_0$  = the level of Q before these input conditions were established.

### absolute maximum ratings over operating free-air temperature range (unless otherwise noted)

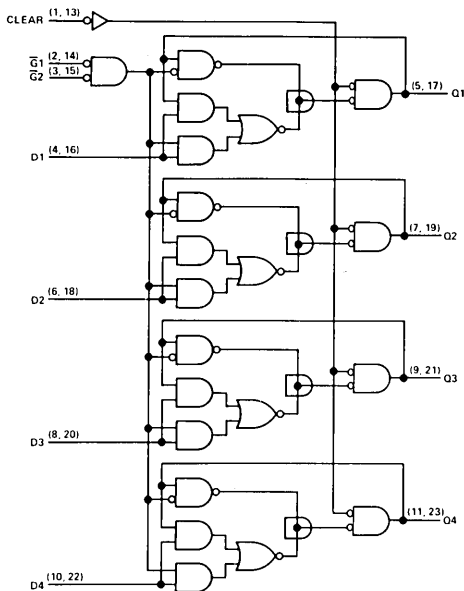
Supply voltage, $V_{CC}$ (see Note 1)	7 V
Input voltage	5.5 V
Operating free-air temperature range: SN54116 Circuits	$-55^{\circ}\text{C}$ to $125^{\circ}\text{C}$
SN74116 Circuits	$0^{\circ}\text{C}$ to $70^{\circ}\text{C}$
Storage temperature range	$-65^{\circ}\text{C}$ to $150^{\circ}\text{C}$

NOTE 1: Voltage values are with respect to network ground terminal.

SN54116 . . . J OR W PACKAGE  
SN74116 . . . J OR N PACKAGE  
(TOP VIEW)



### functional block diagram (each 4-bit latch)



7

# TYPES SN54116, SN74116

## DUAL 4-BIT LATCHES WITH CLEAR

### recommended operating conditions

	SN54116			SN74116			UNIT
	MIN	NOM	MAX	MIN	NOM	MAX	
Supply voltage, $V_{CC}$	4.5	5	5.5	4.75	5	5.25	V
High-level output current, $I_{OH}$	-800			-800			$\mu$ A
Low-level output current, $I_{OL}$	16			16			mA
Input pulse width, $t_w$	Enable	18		18		ns	
	Clear	18		18			
Data setup time, $t_{su}$	High logic level	8		8		ns	
	Low logic level	14		14			
Clear inactive-state setup time, $t_{su}$	8		8		ns		
Data release time, high-level data, $t_{release}$	2		2		ns		
Data hold time, low-level data, $t_h$	8		8		ns		
Operating free-air temperature, $T_A$	-55	125		0	70	$^{\circ}$ C	

### electrical characteristics over recommended operating free-air temperature range (unless otherwise noted)

PARAMETER		TEST CONDITIONS <sup>†</sup>	MIN	TYP <sup>‡</sup>	MAX	UNIT
$V_{IH}$	High-level input voltage		2			V
$V_{IL}$	Low-level input voltage				0.8	V
$V_{IK}$	Input clamp voltage	$V_{CC} = \text{MIN}$ , $I_I = -12 \text{ mA}$			-1.5	V
$V_{OH}$	High-level output voltage	$V_{CC} = \text{MIN}$ , $V_{IH} = 2 \text{ V}$ , $V_{IL} = 0.8 \text{ V}$ , $I_{OH} = -800 \mu\text{A}$	2.4	3.4		V
$V_{OL}$	Low-level output voltage	$V_{CC} = \text{MIN}$ , $V_{IH} = 2 \text{ V}$ , $V_{IL} = 0.8 \text{ V}$ , $I_{OL} = 16 \text{ mA}$		0.2	0.4	V
$I_I$	Input current at maximum input voltage	$V_{CC} = \text{MAX}$ , $V_I = 5.5 \text{ V}$			1	mA
$I_{IH}$	High-level input current	$\bar{G}1, \bar{G}2$ , or clear	$V_{CC} = \text{MAX}$ , $V_I = 2.4 \text{ V}$		40	$\mu$ A
		Any D			60	
$I_{IL}$	Low-level input current	$\bar{G}1, \bar{G}2$ , or clear	$V_{CC} = \text{MAX}$ , $V_I = 0.4 \text{ V}$		-1.6	mA
		Any D, initial peak			-2.4	
		Any D, steady-state			-1.6	
$I_{OS}$	Short-circuit output current <sup>§</sup>	$V_{CC} = \text{MAX}$	SN54116	-20	-57	mA
			SN74116	-18	-57	
$I_{CC}$	Supply current	$V_{CC} = \text{MAX}$ , See Note 2	Condition A	60	100	mA
			Condition B	40	70	

<sup>†</sup>For conditions shown as MIN or MAX, use the appropriate value specified under recommended operating conditions for the applicable device type.

<sup>‡</sup>All typical values are at  $V_{CC} = 5 \text{ V}$ ,  $T_A = 25^{\circ}\text{C}$ .

<sup>§</sup>Not more than one output should be shorted at a time.

NOTE 2: With outputs open,  $I_{CC}$  is measured for the following conditions:

- All inputs grounded.
- All  $\bar{G}$  inputs are grounded and all other inputs are at 4.5 V.

### switching characteristics, $V_{CC} = 5 \text{ V}$ , $T_A = 25^{\circ}\text{C}$

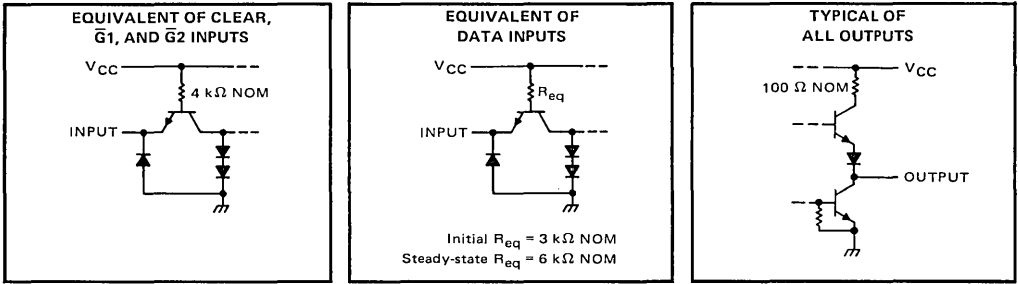
PARAMETER <sup>¶</sup>	FROM (INPUT)	TO (OUTPUT)	TEST CONDITIONS	MIN	TYP	MAX	UNIT
$t_{PLH}$	Enable	Any Q	$C_L = 15 \text{ pF}$ , $R_L = 400 \Omega$ , See Figure 1	19	30	ns	
$t_{PHL}$				15	22		
$t_{PLH}$	Data	Q		10	15	ns	
$t_{PHL}$				12	18		
$t_{PHL}$	Clear	Any Q		15	22	ns	

<sup>¶</sup> $t_{PLH}$   $\equiv$  propagation delay time, low-to-high-level output

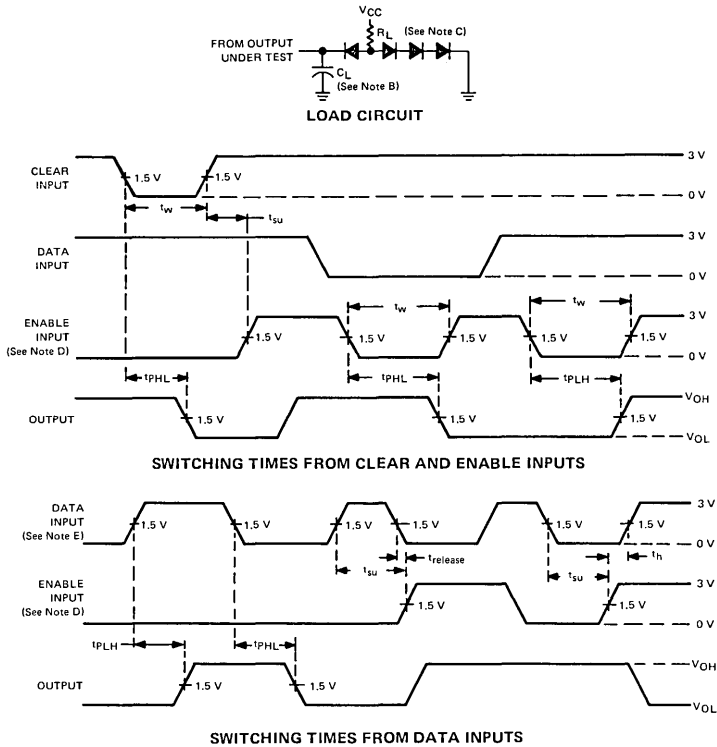
$t_{PHL}$   $\equiv$  propagation delay time, high-to-low-level output

# TYPES SN54116, SN74116 4-BIT LATCHES WITH CLEAR

## schematics of inputs and outputs



## PARAMETER MEASUREMENT INFORMATION

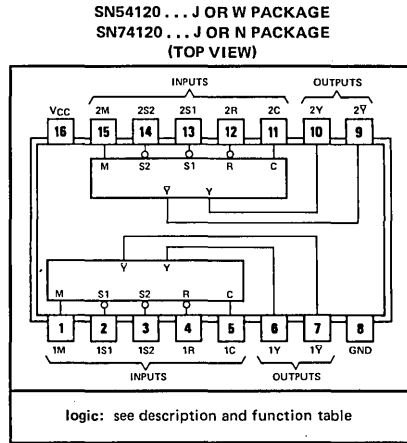


- NOTES: A. Input pulses are supplied by generators having the following characteristics:  $t_r \leq 10$  ns,  $t_f \leq 10$  ns, PRR = 1 MHz, duty cycle  $\leq 50\%$ ,  $Z_{out} \approx 50 \Omega$ .
- B.  $C_L$  includes probe and jig capacitance.
- C. All diodes are 1N3064.
- D. The other enable input is low.
- E. Clear input is high.

FIGURE 1

- Generates Either a Single Pulse or Train of Pulses Synchronized with Control Functions
- Ideal for Implementing Sync-Control Circuits Similar to those Used in Oscilloscopes
- Latched Operation Ensures that Output Pulses Are Not Clipped
- High-Fan-Out Complementary Outputs Drive System Clock Lines Directly
- Internal Input Pull-Up Resistors Eliminate Need for External Components
- Diode-Clamped Inputs Simplify System Design
- Typical Propagation Delays:

9 Nanoseconds through One Level  
16 Nanoseconds through Two Levels



description

These monolithic pulse synchronizers are designed to synchronize an asynchronous or manual signal with a system clock. Reliable response is ensured as the input signals are latched up; therefore duration of logic input is not critical and the adverse effects of contact-bounce of a manual input are eliminated. The ability to pass output pulses is started and stopped by the levels or pulses applied to the latch inputs S1, S2, or R in accordance with the function table. High-speed circuitry is utilized throughout the clock paths to minimize skew with respect to the system clock.

After initiation, the mode control (M) input determines whether a series of pulses or only one pulse is passed. In the absence of a stop command, the clock driver will continue to pass clock pulses as long as the mode control input is low (see Figures 2 through 4). If the mode control input is high only a single clock pulse will be passed (see Figure 5).

When the mode control is set to pass a series of pulses, the last pulse out is determined by two general rules:

- When pulses are terminated by the S or R inputs, conditions meeting the setup times (specified under recommended operating conditions) will dominate.
- Low-to-high-level transitions at the mode control input should be avoided during the 20-nanosecond period immediately following the negative transition of the input clock pulse as transitions during this time period may or may not allow the next pulse to pass (see Figures 4 and 5). When pulses are terminated by the mode control input, a positive transition at the mode control input meeting the high-level setup time,  $t_{su}$  (H), (specified under recommended operating conditions) will pass that positive clock pulse then inhibit remaining clock pulses. The clock input (C) is latch-controlled ensuring that once initiated the output pulse will not be terminated until the full pulse has been passed.

FUNCTION TABLE

INPUTS			FUNCTION
R	S1	S2	
X	L	X	Pass Output Pulses
X	X	L	Pass Output Pulses
L	H	H	Inhibit Output Pulses
H	↓	H	Start Output Pulses
H	H	↓	Start Output Pulses
↓	H	H	Stop Output Pulses
H	H	H	Continue†

H = high level (steady state)

L = low level (steady state)

↓ = transition from H to L

X = irrelevant

† Operation initiated by last ↓ transition continues.

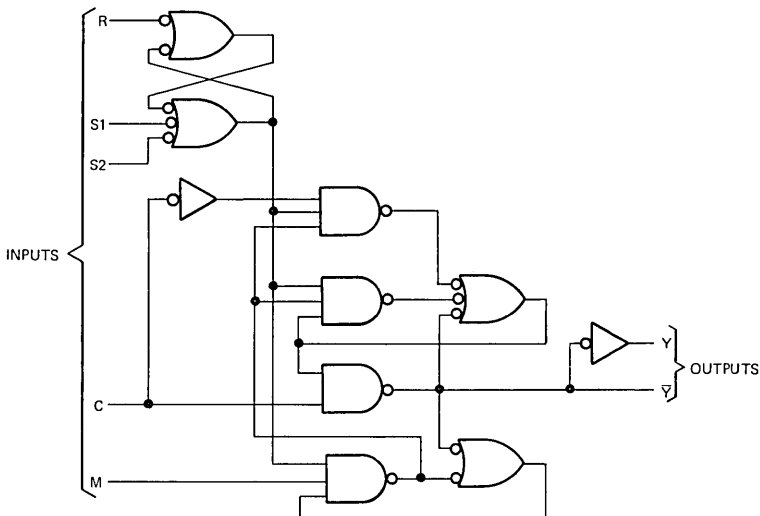
# TYPES SN54120, SN74120 DUAL PULSE SYNCHRONIZERS/DRIVERS

## description (continued)

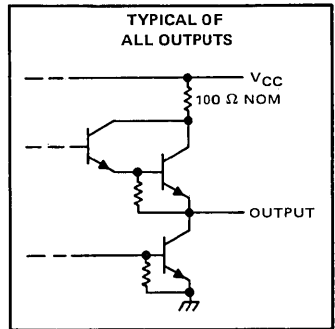
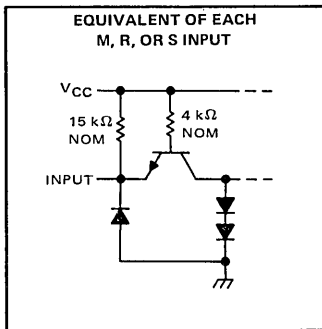
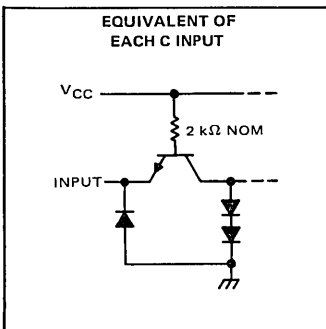
This clock driver circuit is entirely compatible for use with either digital logic circuits or mechanical switches for input controls since all inputs, except the clock, have internal pull-up resistors. This eliminates the requirement to supply an external resistor to prevent the input from floating when the control switch is open. The internal resistor also means that these inputs may be left disconnected if unused.

Typical propagation delay time is 9 nanoseconds to the  $\bar{Y}$  output and 16 nanoseconds to the Y output from the clock input. The outputs will drive 60 Series 54/74 loads at a high logic level and 30 loads at a low logic level. Typical power dissipation is 127 milliwatts per driver. The SN54120 is characterized for operation from  $-55^{\circ}\text{C}$  to  $125^{\circ}\text{C}$ ; the SN74120 is characterized for operation from  $0^{\circ}\text{C}$  to  $70^{\circ}\text{C}$ .

## functional block diagram (each driver)



## schematics of inputs and outputs





# TYPES SN54120, SN74120

## DUAL PULSE SYNCHRONIZERS/DRIVERS

### absolute maximum ratings over operating free-air temperature range (unless otherwise noted)

Supply voltage, $V_{CC}$ (see Note 1)	7 V
Input voltage	5.5 V
Interemitter voltage (see Note 2)	5.5 V
Operating free-air temperature range: SN54120 Circuits	-55°C to 125°C
SN74120 Circuits	0°C to 70°C
Storage temperature range	-65°C to 150°C

NOTES: 1. Voltage values, except interemitter voltage, are with respect to network ground terminal.  
 2. This is the voltage between two emitters of a multiple-emitter transistor. For this circuit, this rating applies between the S1 and S2 inputs.

### recommended operating conditions

		SN54120			SN74120			UNIT	
		MIN	NOM	MAX	MIN	NOM	MAX		
Supply voltage, $V_{CC}$		4.5	5	5.5	4.75	5	5.25	V	
High-level output current, $I_{OH}$		-2.4			-2.4			mA	
Low-level output current, $I_{OL}$		48			48			mA	
Setup time (see Figures 2 thru 5)	Any input except mode control, $t_{su}(H \text{ or } L)$	12			12			ns	
	Mode control	$t_{su}(H)$	0			0			
		$t_{su}(L)$	12			12			
Hold time (see Figures 3 and 5)	Any input except mode control, $t_h(H \text{ or } L)$	3			3			ns	
	Mode control, $t_h(H \text{ or } L)$	20			20				
Operating free-air temperature, $T_A$		-55		125	0		70	°C	

### electrical characteristics over recommended operating free-air temperature range (unless otherwise noted)

PARAMETER		TEST CONDITIONS†	MIN	TYP‡	MAX	UNIT
$V_{IH}$	High-level input voltage		2			V
$V_{IL}$	Low-level input voltage				0.8	V
$V_{IK}$	Input clamp voltage	$V_{CC} = \text{MIN}, I_I = -12 \text{ mA}$			-1.5	V
$V_{OH}$	High-level output voltage	$V_{CC} = \text{MIN}, V_{IH} = 2 \text{ V}, V_{IL} = 0.8 \text{ V}, I_{OH} = -2.4 \text{ mA}$	2.4	3.4		V
$V_{OL}$	Low-level output voltage	$V_{CC} = \text{MIN}, V_{IH} = 2 \text{ V}, V_{IL} = 0.8 \text{ V}, I_{OL} = 48 \text{ mA}$	0.2		0.4	V
$I_I$	Input current at maximum input voltage	$V_{CC} = \text{MAX}, V_I = 5.5 \text{ V}$			1	mA
$I_{IH}$	High-level input current	Clock input			80	µA
		Other inputs	$V_{CC} = \text{MAX}, V_I = 2.4 \text{ V}$		-0.12 -0.2 -0.36	mA
$I_{IL}$	Low-level input current	Clock input			-3.2	mA
		Other inputs	$V_{CC} = \text{MAX}, V_I = 0.4 \text{ V}$		-2.1	mA
$I_{OS}$	Short-circuit output current §	$V_{CC} = \text{MAX}$	-35		-90	mA
$I_{CC}$	Supply current	$V_{CC} = \text{MAX},$ See Note 3	51		90	mA

† For conditions shown as MIN or MAX, use the appropriate value specified under recommended operating conditions.

‡ All typical values are at  $V_{CC} = 5 \text{ V}, T_A = 25^\circ\text{C}$ .

§ Not more than one output should be shorted at a time.

NOTE 3:  $I_{CC}$  is measured with ground applied to all inputs except R which is at 4.5 V and all outputs open.

### switching characteristics, $V_{CC} = 5 \text{ V}, T_A = 25^\circ\text{C}$

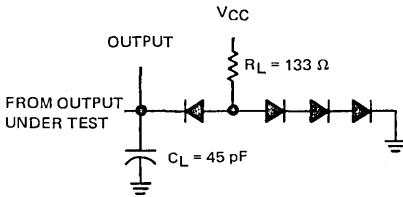
PARAMETER¶	FROM (INPUT)	TO (OUTPUT)	TEST CONDITIONS	MIN	TYP	MAX	UNIT
$t_{PLH}$	C	Y	$C_L = 45 \text{ pF}, R_L = 133 \Omega,$ See Figure 1	14	22	ns	
$t_{PHL}$				17	25		
$t_{PLH}$	C	Y		10	16	ns	
$t_{PHL}$				8	13		

¶  $t_{PLH}$  = Propagation delay time, low-to-high-level output

$t_{PHL}$  = Propagation delay time, high-to-low-level output

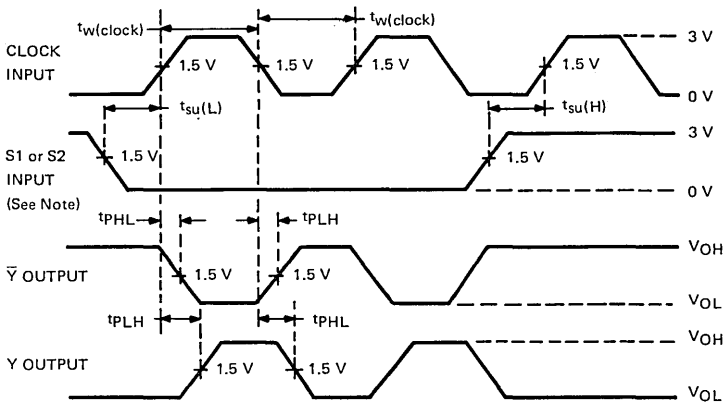
# TYPES SN54120, SN74120 DUAL PULSE SYNCHRONIZERS/DRIVERS

## PARAMETER MEASUREMENT INFORMATION



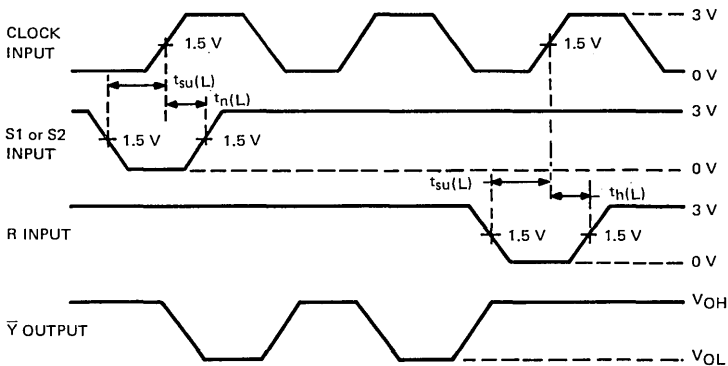
- NOTES: A. The clock input pulse in figures 2 through 5 is supplied by a generator having the following characteristics:  $t_w(\text{clock}) \geq 15 \text{ ns}$ ,  $\text{PRR} \leq 1 \text{ MHz}$ , and  $Z_{\text{out}} \approx 50 \Omega$ .  
B.  $C_L$  includes probe and jig capacitance.  
C. All diodes are 1N3064.

FIGURE 1—LOAD CIRCUIT FOR SWITCHING TESTS



NOTE: Mode control and R inputs are low unused S input is high.

FIGURE 2—INITIATING AND TERMINATING PULSE TRAIN FROM S INPUTS



NOTE: Mode control input is low and unused S input is high.

FIGURE 3—INITIATING PULSE TRAIN FROM S AND TERMINATING WITH R INPUTS

7

# TYPES SN54120, SN74120

## DUAL PULSE SYNCHRONIZERS/DRIVERS

### PARAMETER MEASUREMENT INFORMATION

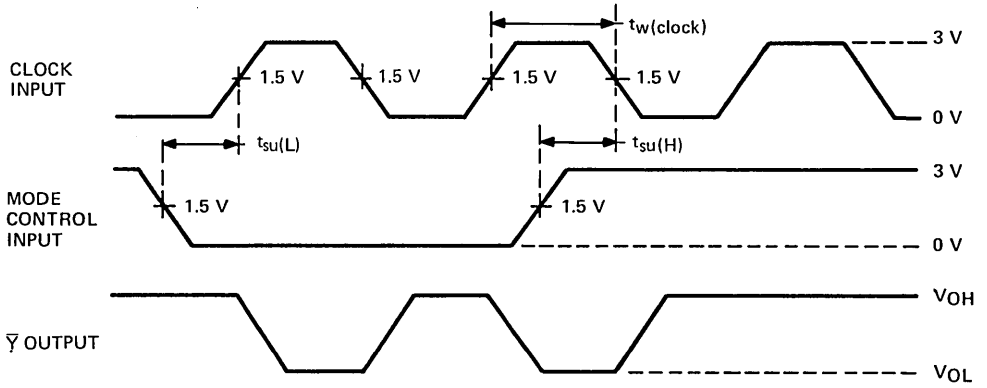


FIGURE 4—INITIATING AND TERMINATING PULSE TRAIN WITH MODE CONTROL INPUT

7

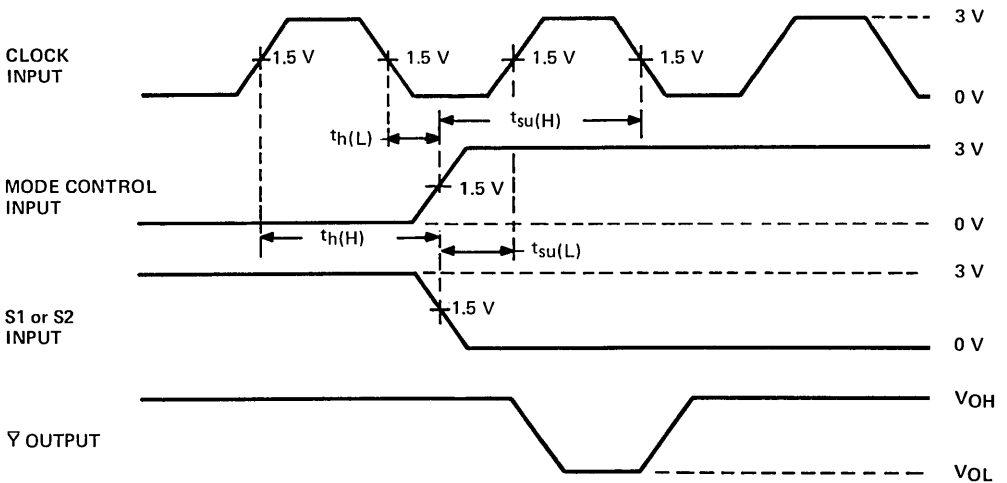


FIGURE 5—ENABLING SINGLE PULSE

TTL  
MSI

# TYPES SN54S124, SN74S124 DUAL VOLTAGE-CONTROLLED OSCILLATORS

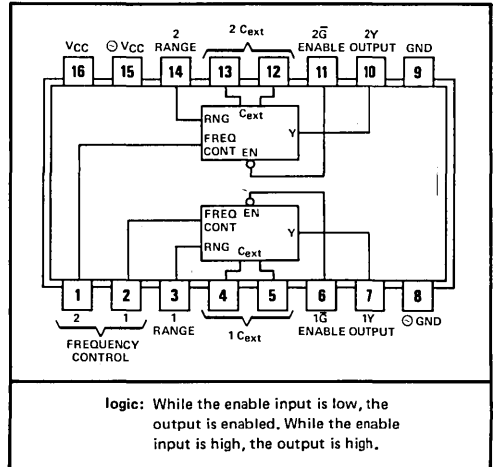
BULLETIN NO. DL-S 12025, MARCH 1974—REVISED DECEMBER 1980

SN54S124 . . . J OR W PACKAGE

SN74S124 . . . J OR N PACKAGE

(TOP VIEW)

- Two Independent VCO's in a 16-Pin Package
- Output Frequency Set by Single External Component:  
Crystal for High-Stability Fixed-Frequency Operation  
Capacitor for Fixed- or Variable-Frequency Operation
- Separate Supply Voltage Pins for Isolation of Frequency Control Inputs and Oscillators from Output Circuitry
- Highly Stable Operation over Specified Temperature and/or Supply Voltage Ranges
- Typical  $f_{max}$  . . . . . 85 MHz  
Typical Power Dissipation . . . . . 525 mW
- Frequency Spectrum . . . 1 Hz to 60 MHz



## description

The 'S124 features two independent voltage-controlled oscillators (VCO) in a single monolithic chip. The output frequency of each VCO is established by a single external component, either a capacitor or a crystal, in combination with two voltage-sensitive inputs, one for frequency range and one for frequency control. These inputs can be used to vary the output frequency as shown under typical characteristics. These highly stable oscillators can be set to operate at any frequency typically between 0.12 hertz and 85 megahertz. Under the conditions used in Figure 3, the output frequency can be approximated as follows:

$$f_o = \frac{5 \times 10^{-4}}{C_{ext}}$$

where:  $f_o$  = output frequency in hertz

$C_{ext}$  = external capacitance in farads.

These devices can operate from a single 5-volt supply. However, one set of supply-voltage and ground pins ( $V_{CC}$  and GND) is provided for the enable, synchronization-gating, and output sections, and a separate set ( $\ominus V_{CC}$  and  $\ominus GND$ ) is provided for the oscillator and associated frequency-control circuits so that effective isolation can be accomplished in the system.

The enable input of these devices starts or stops the output pulses when it is low or high, respectively. The internal oscillator of the 'S124 is started and stopped by the enable input. The enable input is one standard load; it and the buffered output operate at standard Schottky-clamped TTL levels.

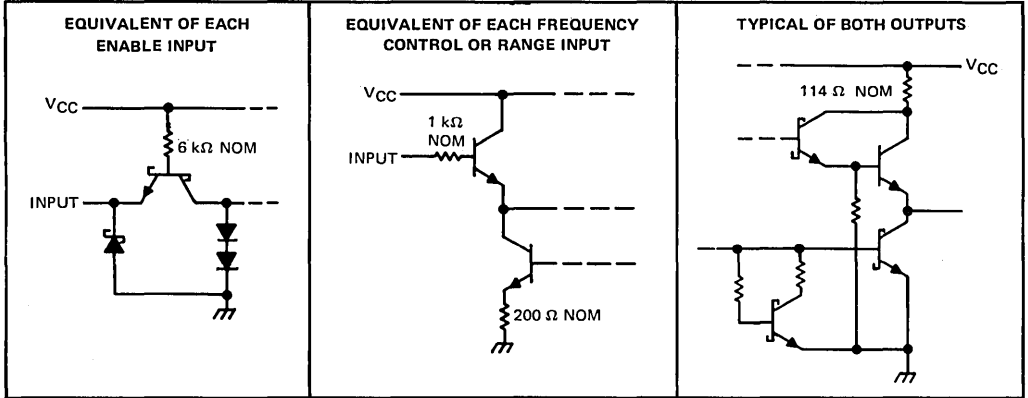
The pulse synchronization-gating section ensures that the first output pulse is neither clipped nor extended. Duty cycle of the square-wave output is fixed at approximately 50 percent.

The SN54S124 is characterized for operation over the full military temperature range of  $-55^{\circ}\text{C}$  to  $125^{\circ}\text{C}$ ; the SN74S124 is characterized for operation from  $0^{\circ}\text{C}$  to  $70^{\circ}\text{C}$ .

# TYPES SN54S124, SN74S124

## DUAL VOLTAGE-CONTROLLED OSCILLATORS

schematics of inputs and outputs



**absolute maximum ratings over operating free-air temperature range (unless otherwise noted)**

Supply voltage, $V_{CC}$ (See Notes 1 and 2)	7V
Input voltage	5.5 V
Operating free-air temperature range: SN54S124	-55°C to 125°C
SN74S124	0°C to 70°C
Storage temperature range	-65°C to 150°C

7

- NOTES: 1. Voltage values are with respect to the appropriate ground terminal.  
 2. Throughout this data sheet, the symbol  $V_{CC}$  is used for the voltage applied to both the  $V_{CC}$  and  $\ominus V_{CC}$  terminals, unless otherwise noted.

# TYPES SN54LS124, SN74LS124 DUAL VOLTAGE-CONTROLLED OSCILLATORS

---

The SN54LS124 and SN74LS124 have been replaced by the SN54LS629 and SN74LS629.

See *1981 Supplement to the TTL Data Book for Design Engineers*, Second Edition.

# TYPES SN54S124, SN74S124

## DUAL VOLTAGE-CONTROLLED OSCILLATORS

### recommended operating conditions

	SN54S124			SN74S124			UNIT
	MIN	NOM	MAX	MIN	NOM	MAX	
Supply voltage, $V_{CC}$ (see Note 1)	4.5	5	5.5	4.75	5	5.25	V
Input voltage at frequency control or range input, $V_{I(freq)}$ or $V_{I(rng)}$	1		5	1		5	V
High-level output current, $I_{OH}$			-1			-1	mA
Low-level output current, $I_{OL}$			20			20	mA
Output frequency (enabled), $f_o$	1			1			Hz
			60			60	MHz
Operating free-air temperature, $T_A$	-55		125	0		70	°C

NOTE 1: Throughout this data sheet, the symbol  $V_{CC}$  is used for the voltage applied to both pins 15 and 16.

### electrical characteristics over recommended operating free-air temperature range (unless otherwise noted)

PARAMETER		TEST CONDITIONS†		MIN	TYP‡	MAX	UNIT
$V_{IH}$	High-level input voltage at enable			2			V
$V_{IL}$	Low-level input voltage at enable					0.8	V
$V_{IK}$	Input clamp voltage at enable	$V_{CC} = \text{MIN}, I_I = -18 \text{ mA}$				-1.2	V
$V_{OH}$	High-level output voltage	$V_{CC} = \text{MIN}, V_{IH} = 2 \text{ V}, I_{OH} = -1 \text{ mA}$	SN54S'	2.5	3.4		V
			SN74S'	2.7	3.4		
$V_{OL}$	Low-level output voltage	$V_{CC} = \text{MIN}, V_{IL} = 0.8 \text{ V}, I_{OL} = 20 \text{ mA}$				0.5	V
$I_I$	Input current	Freq control or range	$V_{CC} = \text{MAX}$	$V_I = 5 \text{ V}$	10	50	$\mu\text{A}$
				$V_I = 1 \text{ V}$	1	15	
$I_I$	Input current at maximum input voltage	Enable	$V_{CC} = \text{MAX}, V_I = 5.5 \text{ V}$			1	mA
$I_{IH}$	High-level input current	Enable	$V_{CC} = \text{MAX}, V_I = 2.7 \text{ V}$			50	$\mu\text{A}$
$I_{IL}$	Low-level input current	Enable	$V_{CC} = \text{MAX}, V_I = 0.5 \text{ V}$			-2	mA
$I_{OS}$	Short-circuit output current §		$V_{CC} = \text{MAX}$	-40		-100	mA
$I_{CC}$	Supply current, total into pins 15 and 16		$V_{CC} = \text{MAX}$ , See Note 2		105	150	mA
			$V_{CC} = \text{MAX}, T_A = 125^\circ\text{C}$ , See Note 2	W package only		110	

† For conditions shown as MIN or MAX, use the appropriate value specified under recommended operating conditions.

‡ All typical values are at  $V_{CC} = 5 \text{ V}, T_A = 25^\circ\text{C}$ .

§ Not more than one output should be shorted at a time and duration of the short-circuit should not exceed one second.

NOTE 2:  $I_{CC}$  is measured with the outputs disabled and open.

### switching characteristics, $V_{CC} = 5 \text{ V}, R_L = 280 \Omega, C_L = 15 \text{ pF}, T_A = 25^\circ\text{C}$

PARAMETER		TEST CONDITIONS		MIN	TYP	MAX	UNIT
$f_o$	Output frequency	$C_{ext} = 2 \text{ pF}$	$V_{I(freq)} = 4 \text{ V}, V_{I(rng)} = 1 \text{ V}$	60	85		MHz
			$V_{I(freq)} = 1 \text{ V}, V_{I(rng)} = 5 \text{ V}$	25	40		
	Output duty cycle	$C_{ext} = 8.3 \text{ pF}$ to $500 \mu\text{F}$			50%		
$t_{PHL}$	Propagation delay time, high-to-low-level output from enable	$f_o = 1 \text{ Hz}$ to $20 \text{ MHz}$			1.4		s
		$f_o > 20 \text{ MHz}$			$f_o(\text{Hz})$	70	

# TYPES SN54S124, SN74S124 DUAL VOLTAGE-CONTROLLED OSCILLATORS

---

## TYPICAL APPLICATION DATA

### free-running oscillator

Free-running oscillators can be implemented for most systems by setting the output frequency of the VCO with either a capacitor or a crystal. If excitation is provided with a capacitor the frequency control and/or range inputs can be used to vary the output frequency.

When the 'S124 is excited with a crystal, low-frequency response ( $\leq 1$  MHz) can be improved if a relatively small capacitor (5 to 15 pF) is paralleled with the crystal. When operated at the fundamental frequency of a crystal, the frequency control input should be high ( $\approx 5$  V) and the range input should be low (grounded) for maximum stability over temperature and supply voltage variations.

### phase-locked loops

A basic crystal-controlled phase-locked loop is illustrated in Figure 1. This application can be used for implementation of:

- A highly stable fixed-frequency clock generator.
- A highly stable fixed- or variable-frequency synthesizer.
- A highly efficient "slave-clock" system for synchronizing off-card, remote, or data-interfacing clock systems

With fixed division rates for both M and N, the output frequency ( $f_o$ ) will be stable at  $f_o = \frac{N}{M} f_1$ . Obviously, either M or N, or both, could be programmable counters in which case the output frequency ( $f_o$ ) will be a variable frequency dependent on the instantaneous value of  $\frac{N}{M} f_1$ .

The crystal-controlled VCO can be operated up to 60 MHz with an accuracy that is dependent on the crystal. At the higher frequencies, response of the phase comparator can become a limiting factor and one of the following approaches may be necessary to extend the operating frequency range.

- Frequencies  $\frac{f_1}{M}$  and  $\frac{f_1}{N}$  can be divided equally by the same constant (K) also shown in Figure 1. The constant can be any value greater than unity ( $K > 1$ ), and should be selected to yield frequency ranges that can be handled adequately by the phase-comparator and filter. The output frequency ( $f_o$ ) retains the same relationship as previously explained because now:

$$f_o = \frac{KN}{KM} f_1 = \frac{N}{M} f_1$$

- In another method, the comparison of  $\frac{f_1}{M}$  and  $\frac{f_1}{N}$  can be performed with either an SN54LS85/SN74LS85 or SN54S85/SN74S85. The resultant  $A > B$  and  $A < B$  outputs from the 'LS85 or 'S85 permit the detector to be simplified to a charge-pump circuit. See Figure 2.

7



# TYPES SN54S124, SN74S124 DUAL VOLTAGE-CONTROLLED OSCILLATORS

## TYPICAL APPLICATION DATA

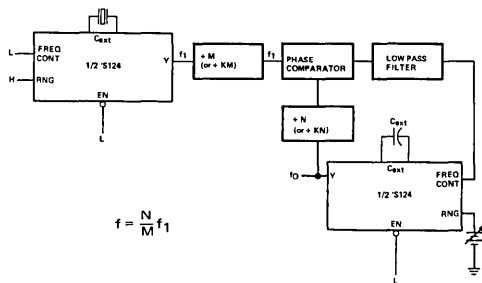


FIGURE 1—PHASE-LOCKED LOOP

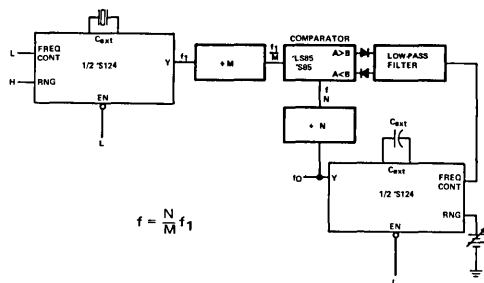


FIGURE 2—HIGH-FREQUENCY PHASE-LOCKED LOOP

## TYPICAL CHARACTERISTICS

BASE OUTPUT FREQUENCY  
VS  
EXTERNAL CAPACITANCE

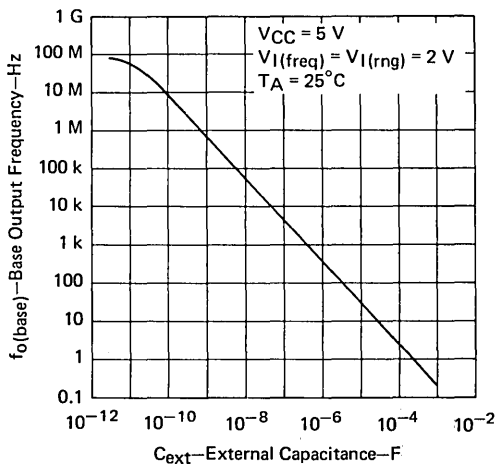


FIGURE 3

NORMALIZED OUTPUT FREQUENCY  
VS  
INPUT VOLTAGE

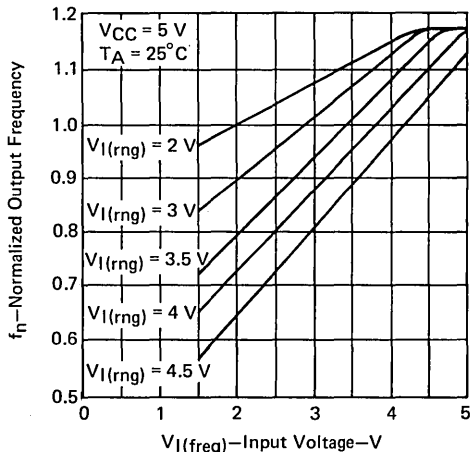


FIGURE 4

NOTE:  $f_o = f_n \times f_o(\text{base})$ .

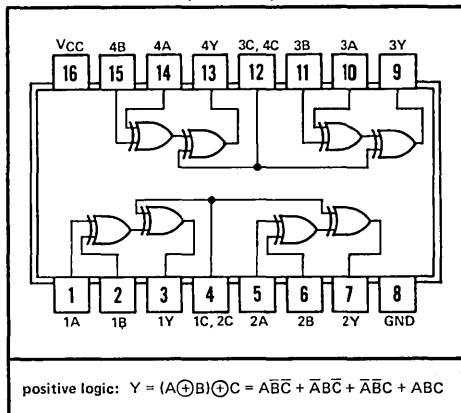
- Fully Compatible with Most TTL and TTL MSI Circuits
- Fully Schottky Clamping Reduces Delay Times . . . 8 ns Typical
- Can Operate as Exclusive-OR Gate (C Input Low) or as Exclusive-NOR Gate (C Input High)

FUNCTION TABLE

INPUTS			OUTPUT
A	B	C	Y
L	L	L	L
L	H	L	H
H	L	L	H
H	H	L	L
L	L	H	H
L	H	H	L
H	L	H	L
H	H	H	H

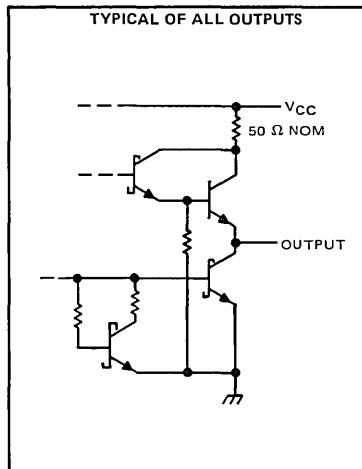
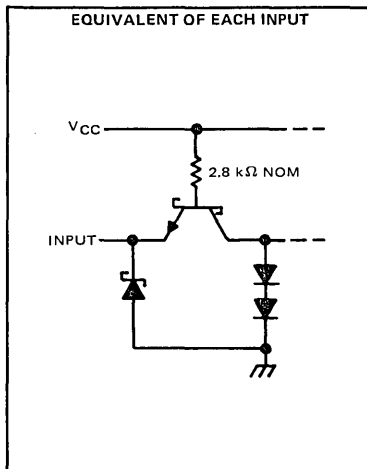
H = high level, L = low level

SN54S135 . . . J OR W PACKAGE  
SN74S135 . . . J OR N PACKAGE  
(TOP VIEW)



positive logic:  $Y = (A \oplus B) \oplus C = \overline{A\overline{B}C} + \overline{A}B\overline{C} + \overline{A}\overline{B}C + ABC$

schematics of inputs and outputs



absolute maximum ratings over operating free-air temperature range (unless otherwise noted)

Supply voltage, $V_{CC}$ (see Note 1)	7 V
Input voltage	5.5 V
Operating free-air temperature range: SN54S135	-55°C to 125°C
SN74S135	0°C to 70°C
Storage temperature range	-65°C to 150°C

NOTE 1: Voltage values are with respect to network ground terminal.

# TYPES SN54S135, SN74S135

## QUADRUPLE EXCLUSIVE-OR/NOR GATES

### recommended operating conditions

	SN54S135			SN74S135			UNIT
	MIN	NOM	MAX	MIN	NOM	MAX	
Supply voltage, $V_{CC}$	4.5	5	5.5	4.75	5	5.25	V
High-level output current, $I_{OH}$			-1			-1	mA
Low-level output current, $I_{OL}$			20			20	mA
Operating free-air temperature, $T_A$	-55		125	0		70	°C

### electrical characteristics over recommended operating free-air temperature range (unless otherwise noted)

PARAMETER	TEST CONDITIONS†	MIN	TYP‡	MAX	UNIT
$V_{IH}$ High-level input voltage		2			V
$V_{IL}$ Low-level input voltage				0.8	V
$V_{IK}$ Input clamp voltage	$V_{CC} = \text{MIN}, I_I = -18 \text{ mA}$			-1.2	V
$V_{OH}$ High-level output voltage	$V_{CC} = \text{MIN}, V_{IH} = 2 \text{ V},$ $V_{IL} = 0.8 \text{ V}, I_{OH} = -1 \text{ mA}$	2.5	3.4		V
	SN54S'	2.7	3.4		
$V_{OL}$ Low-level output voltage	$V_{CC} = \text{MIN}, V_{IH} = 2 \text{ V},$ $V_{IL} = 0.8 \text{ V}, I_{OL} = 20 \text{ mA}$			0.5	V
	SN74S'				
$I_I$ Input current at maximum input voltage	$V_{CC} = \text{MAX}, V_I = 5.5 \text{ V}$			1	mA
$I_{IH}$ High-level input current	$V_{CC} = \text{MAX}, V_I = 2.7 \text{ V}$			50	μA
$I_{IL}$ Low-level input current	$V_{CC} = \text{MAX}, V_I = 0.5 \text{ V}$			-2	mA
$I_{OS}$ Short-circuit output current§	$V_{CC} = \text{MAX}$	-40		-100	mA
$I_{CC}$ Supply current	$V_{CC} = \text{MAX}$ , See Note 2		65	99	mA

†For conditions shown as MIN or MAX, use the appropriate value specified under recommended operating conditions for the applicable type.

‡All typical values are at  $V_{CC} = 5 \text{ V}, T_A = 25^\circ\text{C}$ .

§Not more than one output should be shorted at a time and duration of the short circuit should not exceed one second.

NOTE 2:  $I_{CC}$  is measured with the inputs grounded and the outputs open.

### switching characteristics, $V_{CC} = 5 \text{ V}, T_A = 25^\circ\text{C}$

PARAMETER¶	FROM (INPUT)	TEST CONDITIONS	MIN	TYP	MAX	UNIT
$t_{PLH}$	A or B	B or A = L, C = L	$C_L = 15 \text{ pF},$ $R_L = 280 \Omega,$ See Note 3	8.5	13	ns
$t_{PHL}$				11	15	
$t_{PLH}$	A or B	B or A = H, C = L		8	12	ns
$t_{PHL}$				9	13.5	
$t_{PLH}$	A or B	B or A = L, C = H		10	15	ns
$t_{PHL}$				6.5	10	
$t_{PLH}$	A or B	B or A = H, C = H		8.5	12	ns
$t_{PHL}$				7	11	
$t_{PLH}$	C	A = B		8	12	ns
$t_{PHL}$				9.5	14.5	
$t_{PLH}$	C	A ≠ B	7.5	11.5	ns	
$t_{PHL}$			8	12		

¶ $t_{PLH}$  ≡ propagation delay time, low-to-high-level output

$t_{PHL}$  ≡ propagation delay time, high-to-low-level output

NOTE 3: Load circuit and voltage waveforms are shown on page 3-10.

TTL  
MSI

# TYPES SN54136, SN54LS136, SN74136, SN74LS136 QUADRUPLE 2-INPUT EXCLUSIVE-OR GATES WITH OPEN-COLLECTOR OUTPUTS

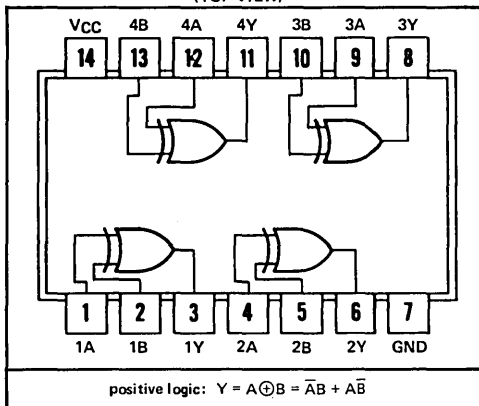
BULLETIN NO. DLS 7611827, DECEMBER 1972—REVISED OCTOBER 1976

SN54136, SN54LS136 . . . J OR W PACKAGE  
SN74136, SN74LS136 . . . J OR N PACKAGE  
(TOP VIEW)

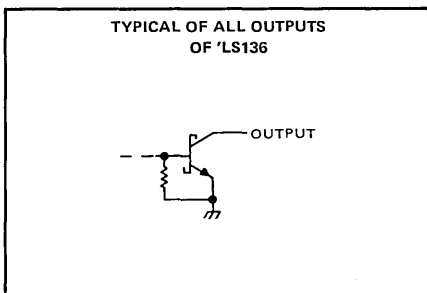
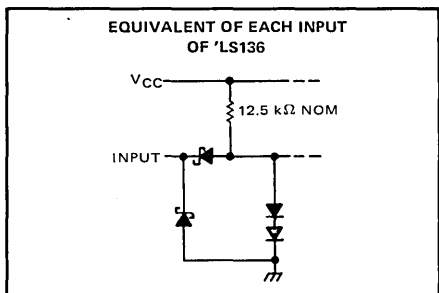
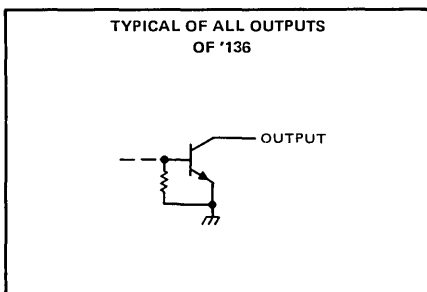
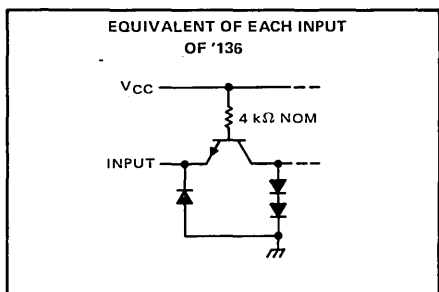
FUNCTION TABLE

INPUTS		OUTPUT
A	B	Y
L	L	L
L	H	H
H	L	H
H	H	L

H = high level, L = low level



## schematics of inputs and outputs



7

# TYPES SN54136, SN74136

## QUADRUPLE 2-INPUT EXCLUSIVE-OR GATES

### WITH OPEN-COLLECTOR OUTPUTS

absolute maximum ratings over operating free-air temperature range (unless otherwise noted)

Supply voltage, $V_{CC}$ (see Note 1)	7 V
Input voltage	5.5 V
Operating free-air temperature range: SN54136	-55°C to 125°C
SN74136	0°C to 70°C
Storage temperature range	-65°C to 150°C

NOTE 1: Voltage values are with respect to network ground terminal.

#### recommended operating conditions

	SN54136			SN74136			UNIT
	MIN	NOM	MAX	MIN	NOM	MAX	
Supply voltage, $V_{CC}$	4.5	5	5.5	4.75	5	5.25	V
High-level output voltage, $V_{OH}$	5.5			5.5			V
Low-level output current, $I_{OL}$	16			16			mA
Operating free-air temperature, $T_A$	-55	125		0	70		°C

electrical characteristics over recommended operating free-air temperature range (unless otherwise noted)

PARAMETER	TEST CONDITIONS†	MIN	TYP‡	MAX	UNIT
$V_{IH}$ High-level input voltage		2			V
$V_{IL}$ Low-level input voltage				0.8	V
$V_{IK}$ Input clamp voltage	$V_{CC} = \text{MIN}, I_I = -8 \text{ mA}$			-1.5	V
$I_{OH}$ High-level output current	$V_{CC} = \text{MIN}, V_{IH} = 2 \text{ V}, V_{IL} = 0.8 \text{ V}, V_{OH} = 5.5 \text{ V}$			250	$\mu\text{A}$
$V_{OL}$ Low-level output voltage	$V_{CC} = \text{MIN}, V_{IH} = 2 \text{ V}, V_{IL} = 0.8 \text{ V}, I_{OL} = 16 \text{ mA}$	0.2	0.4		V
$I_I$ Input current at maximum input voltage	$V_{CC} = \text{MAX}, V_I = 5.5 \text{ V}$			1	mA
$I_{IH}$ High-level input current	$V_{CC} = \text{MAX}, V_I = 2.4 \text{ V}$			40	$\mu\text{A}$
$I_{IL}$ Low-level input current	$V_{CC} = \text{MAX}, V_I = 0.4 \text{ V}$			-1.6	mA
$I_{CC}$ Supply current, high-level output	$V_{CC} = \text{MAX},$ See Note 2	SN54136	30	43	mA
		SN74136	30	50	

†For conditions shown as MIN or MAX, use the appropriate value specified under recommended operating conditions for the applicable device type.

‡All typical values are at  $V_{CC} = 5 \text{ V}, T_A = 25^\circ\text{C}$ .

NOTE 2:  $I_{CC}$  is measured with one input of each gate at 4.5 V, the other inputs grounded, and the outputs open.

#### switching characteristics, $V_{CC} = 5 \text{ V}, T_A = 25^\circ\text{C}$

PARAMETER¶	FROM (INPUT)	TEST CONDITIONS		MIN	TYP	MAX	UNIT
$t_{PLH}$	A or B	Other input low	$C_L = 15 \text{ pF}, R_L = 400 \Omega,$ See Note 3	12	18	ns	
$t_{PHL}$				39	50		
$t_{PLH}$	A or B	Other input high		14	22	ns	
$t_{PHL}$				42	55		

¶ $t_{PLH}$  = propagation delay time, low-to-high-level output

$t_{PHL}$  = propagation delay time, high-to-low-level output

NOTE 3: Load circuit and voltage waveforms are shown on page 3-10.

# TYPES SN54LS136, SN74LS136 QUADRUPLE 2-INPUT EXCLUSIVE-OR GATES WITH OPEN-COLLECTOR OUTPUTS

REVISED OCTOBER 1976

absolute maximum ratings over operating free-air temperature range (unless otherwise noted)

Supply voltage, $V_{CC}$ (see Note 1)	7 V
Input voltage	7 V
Operating free-air temperature range: SN54LS136	-55°C to 125°C
SN74LS136	0°C to 70°C
Storage temperature range	-65°C to 150°C

NOTE 1: Voltage values are with respect to network ground terminal.

recommended operating conditions

	SN54LS136			SN74LS136			UNIT		
	MIN	NOM	MAX	MIN	NOM	MAX			
Supply voltage, $V_{CC}$	4.5	5	5.5	4.75	5	5.25	V		
High-level output voltage, $V_{OH}$	5.5			5.5			V		
Low-level output current, $I_{OL}$	4			8			mA		
Operating free-air temperature, $T_A$	-55			125			0	70	°C

electrical characteristics over recommended operating free-air temperature range (unless otherwise noted)

PARAMETER	TEST CONDITIONS†	SN54LS136			SN74LS136			UNIT
		MIN	TYP‡	MAX	MIN	TYP‡	MAX	
$V_{IH}$ High-level input voltage		2			2			V
$V_{IL}$ Low-level input voltage		0.7			0.8			V
$V_{IK}$ Input clamp voltage	$V_{CC} = \text{MIN}, I_I = -18 \text{ mA}$	-1.5			-1.5			V
$I_{OH}$ High-level output current	$V_{CC} = \text{MIN}, V_{IH} = 2 \text{ V}, V_{IL} = V_{IL \text{ max}}, V_{OH} = 5.5 \text{ V}$	100			100			μA
$V_{OL}$ Low-level output voltage	$V_{CC} = \text{MIN}, V_{IH} = 2 \text{ V}, V_{IL} = V_{IL \text{ max}}, I_{OL} = 4 \text{ mA}$	0.25 0.4			0.25 0.4			V
	$I_{OL} = 8 \text{ mA}$				0.35 0.5			
$I_I$ Input current at maximum input voltage	$V_{CC} = \text{MAX}, V_I = 7 \text{ V}$	0.2			0.2			mA
$I_{IH}$ High-level input current	$V_{CC} = \text{MAX}, V_I = 2.7 \text{ V}$	40			40			μA
$I_{IL}$ Low-level input current	$V_{CC} = \text{MAX}, V_I = 0.4 \text{ V}$	-0.8			-0.8			mA
$I_{CC}$ Supply current	$V_{CC} = \text{MAX},$ See Note 2	6.1 10			6.1 10			mA

† For conditions shown as MIN or MAX, use the appropriate value specified under recommended operating conditions for the applicable type.

‡ All typical values are at  $V_{CC} = 5 \text{ V}, T_A = 25^\circ \text{C}$ .

NOTE 2:  $I_{CC}$  is measured with one input of each gate at 4.5 V, the other inputs grounded, and the outputs open.

switching characteristics,  $V_{CC} = 5 \text{ V}, T_A = 25^\circ \text{C}$

PARAMETER¶	FROM (INPUT)	TEST CONDITIONS		MIN	TYP	MAX	UNIT
		Other input low	Other input high				
$t_{PLH}$	A or B	Other input low	$C_L = 15 \text{ pF}, R_L = 2 \text{ k}\Omega,$ See Note 4	18 30		ns	
$t_{PHL}$				18 30			
$t_{PLH}$	A or B	Other input high		18 30		ns	
$t_{PHL}$				18 30			

¶  $t_{PLH}$  ≡ propagation delay time, low-to-high-level output

‡  $t_{PHL}$  ≡ propagation delay time, high-to-low-level output

NOTE 4: Load circuit and voltage waveforms are shown on page 3-11.

7

**TYPES SN54LS138, SN54LS139, SN54S138, SN54S139,  
SN74LS138, SN74LS139, SN74S138, SN74S139  
DECODERS/DEMULPLEXERS**

BULLETIN NO. DL-S 7611804, DECEMBER 1972—REVISED OCTOBER 1976

- Designed Specifically for High-Speed: Memory Decoders  
Data Transmission Systems
- 'S138 and 'LS138 3-to-8-Line Decoders Incorporate 3 Enable Inputs to Simplify Cascading and/or Data Reception
- 'S139 and 'LS139 Contain Two Fully Independent 2-to-4-Line Decoders/ Demultiplexers
- Schottky Clamped for High Performance

TYPE	TYPICAL PROPAGATION DELAY (3 LEVELS OF LOGIC)	TYPICAL POWER DISSIPATION
'LS138	22 ns	32 mW
'S138	8 ns	245 mW
'LS139	22 ns	34 mW
'S139	7.5 ns	300 mW

**description**

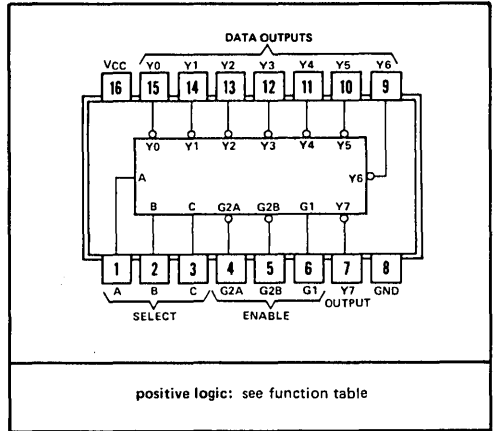
These Schottky-clamped TTL MSI circuits are designed to be used in high-performance memory-decoding or data-routing applications requiring very short propagation delay times. In high-performance memory systems these decoders can be used to minimize the effects of system decoding. When employed with high-speed memories utilizing a fast-enable circuit the delay times of these decoders and the enable time of the memory are usually less than the typical access time of the memory. This means that the effective system delay introduced by the Schottky-clamped system decoder is negligible.

The 'LS138 and 'S138 decode one-of-eight lines dependent on the conditions at the three binary select inputs and the three enable inputs. Two active-low and one active-high enable inputs reduce the need for external gates or inverters when expanding. A 24-line decoder can be implemented without external inverters and a 32-line decoder requires only one inverter. An enable input can be used as a data input for demultiplexing applications.

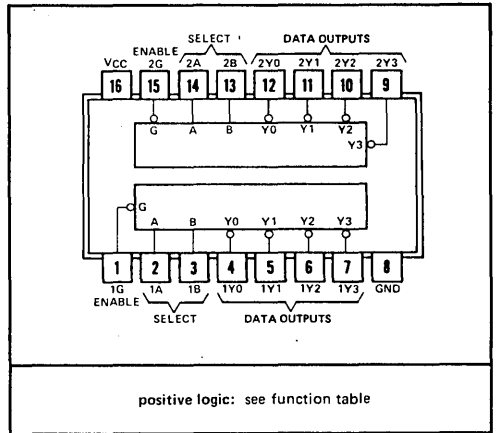
The 'LS139 and 'S139 comprise two individual two-line-to-four-line decoders in a single package. The active-low enable input can be used as a data line in demultiplexing applications.

All of these decoders/demultiplexers feature fully buffered inputs each of which represents only one normalized Series 54LS/74LS load ('LS138, 'LS139) or one normalized Series 54S/74S load ('S138, 'S139) to its driving circuit. All inputs are clamped with high-performance Schottky diodes to suppress line-ringing and simplify system design. Series 54LS and 54S devices are characterized for operation over the full military temperature range of -55°C to 125°C; Series 74LS and 74S devices are characterized for 0°C to 70°C industrial systems.

SN54LS138, SN54S138 . . . J OR W PACKAGE  
SN74LS138, SN74S138 . . . J OR N PACKAGE  
(TOP VIEW)



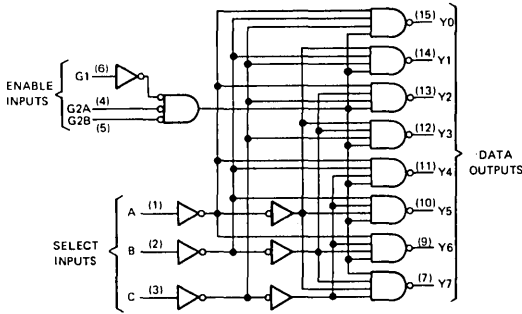
SN54LS139, SN54S139 . . . J OR W PACKAGE  
SN74LS139, SN74S139 . . . J OR N PACKAGE  
(TOP VIEW)



# TYPES SN54LS138, SN54S138, SN54LS139, SN54S139 SN74LS138, SN74S138, SN74LS139, SN74S139 DECODERS/DEMULTIPLEXERS

functional block diagrams and logic

'LS138, 'S138

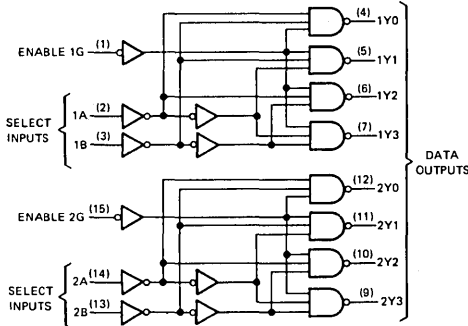


'LS138, 'S138  
FUNCTION TABLE

INPUTS					OUTPUTS							
ENABLE		SELECT										
G1	G2*	C	B	A	Y0	Y1	Y2	Y3	Y4	Y5	Y6	Y7
X	H	X	X	X	H	H	H	H	H	H	H	H
L	X	X	X	X	H	H	H	H	H	H	H	H
H	L	L	L	L	L	H	H	H	H	H	H	H
H	L	L	L	H	H	L	H	H	H	H	H	H
H	L	L	H	L	H	H	L	H	H	H	H	H
H	L	L	H	H	H	H	L	H	H	H	H	H
H	L	H	L	L	H	H	H	L	H	H	H	H
H	L	H	L	H	H	H	H	L	H	H	H	H
H	L	H	H	L	H	H	H	H	L	H	H	H
H	L	H	H	H	H	H	H	H	H	L	H	H

\*G2 = G2A + G2B  
H = high level, L = low level, X = irrelevant

'LS139, 'S139

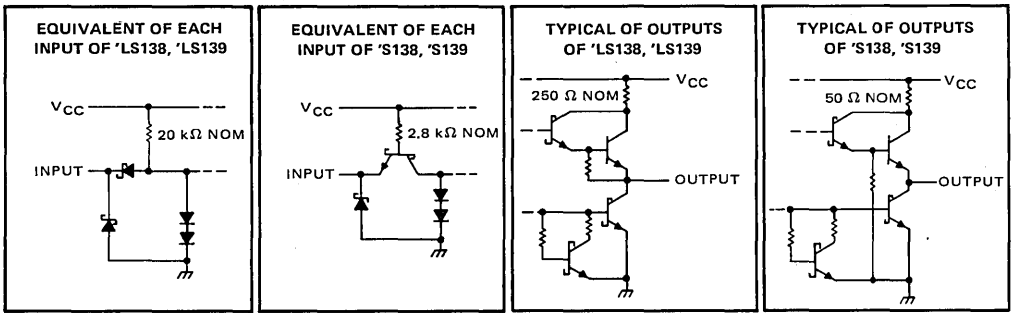


'LS139, 'S139  
(EACH DECODER/DEMULTIPLEXER)  
FUNCTION TABLE

INPUTS			OUTPUTS			
ENABLE	SELECT					
	G	B A	Y0	Y1	Y2	Y3
H	X	X	H	H	H	H
L	L	L	L	H	H	H
L	L	H	H	L	H	H
L	H	L	H	H	L	H
L	H	H	H	H	L	H

H = high level, L = low level, X = irrelevant

schematics of inputs and outputs





# TYPES SN54LS138, SN54LS139, SN74LS138, SN74LS139, DECODERS/DEMULTIPLEXERS

REVISED DECEMBER 1980

absolute maximum ratings over operating free-air temperature range (unless otherwise noted)

Supply voltage, $V_{CC}$ (see Note 1)	7 V
Input voltage	7 V
Operating free-air temperature range: SN54LS138, SN54LS139 Circuits	-55°C to 125°C
SN74LS138, SN74LS139 Circuits	0°C to 70°C
Storage temperature range	-65°C to 150°C

NOTE 1: Voltage values are with respect to network ground terminal.

recommended operating conditions

	SN54LS138 SN54LS139			SN74LS138 SN74LS139			UNIT
	MIN	NOM	MAX	MIN	NOM	MAX	
Supply voltage, $V_{CC}$	4.5	5	5.5	4.75	5	5.25	V
High-level output current, $I_{OH}$			-400			-400	$\mu$ A
Low-level output current, $I_{OL}$			4			8	mA
Operating free-air temperature, $T_A$	-55		125	0		70	°C

electrical characteristics over recommended operating free-air temperature range (unless otherwise noted)

PARAMETER	TEST CONDITIONS†	SN54LS138 SN54LS139			SN74LS138 SN74LS139			UNIT		
		MIN	TYP‡	MAX	MIN	TYP‡	MAX			
$V_{IH}$ High-level input voltage		2			2			V		
$V_{IL}$ Low-level input voltage				0.7			0.8	V		
$V_{IK}$ Input clamp voltage	$V_{CC} = \text{MIN}, I_I = -18 \text{ mA}$			-1.5			-1.5	V		
$V_{OH}$ High-level output voltage	$V_{CC} = \text{MIN}, V_{IH} = 2 \text{ V}, V_{IL} = V_{IL \text{ max}}, I_{OH} = -400 \mu\text{A}$	2.5	3.4		2.7	3.4		V		
$V_{OL}$ Low-level output voltage	$V_{CC} = \text{MIN}, V_{IH} = 2 \text{ V}, V_{IL} = V_{IL \text{ max}}$			0.25	0.4	0.25	0.4	V		
				$I_{OL} = 4 \text{ mA}$		$I_{OL} = 8 \text{ mA}$				
				$I_{OL} = 8 \text{ mA}$		0.35		0.5		
$I_I$ Input current at maximum input voltage	$V_{CC} = \text{MAX}, V_I = 7 \text{ V}$			0.1			0.1	mA		
$I_{IH}$ High-level input current	$V_{CC} = \text{MAX}, V_I = 2.7 \text{ V}$			20			20	$\mu$ A		
$I_{IL}$ Low-level input current	$V_{CC} = \text{MAX}, V_I = 0.4 \text{ V}$			-0.4			-0.4	mA		
$I_{OS}$ Short circuit output current §	$V_{CC} = \text{MAX}$	'LS138		-20	-100	'LS139		-20	-100	mA
		'LS139		-6	-40	'LS138		-5	-42	
$I_{OS}$ Supply current	$V_{CC} = \text{MAX},$ Outputs enabled and open	'LS138		6.3	10	'LS139		6.3	10	mA
		'LS139		6.8	11	'LS138		6.8	11	

† For conditions shown as MIN or MAX, use the appropriate value specified under recommended operating conditions for the applicable device type.

‡ All typical values are at  $V_{CC} = 5 \text{ V}, T_A = 25^\circ\text{C}$ .

§ Not more than one output should be shorted at a time.

switching characteristics,  $V_{CC} = 5 \text{ V}, T_A = 25^\circ\text{C}$

PARAMETER¶	FROM (INPUT)	TO (OUTPUT)	LEVELS OF DELAY	TEST CONDITIONS	SN54LS138 SN74LS138			SN54LS139 SN74LS139			UNIT
					MIN	TYP	MAX	MIN	TYP	MAX	
$t_{PLH}$	Binary Select	Any	2	$C_L = 15 \text{ pF},$ $R_L = 2 \text{ k}\Omega,$ See Note 2	13	20		13	20		ns
$t_{PHL}$					27	41		22	33		ns
$t_{PLH}$					18	27		18	29		ns
$t_{PHL}$					26	39		25	38		ns
$t_{PLH}$	Enable	Any	2		12	18		16	24		ns
$t_{PHL}$					21	32		21	32		ns
$t_{PLH}$					17	26					ns
$t_{PHL}$					25	38					ns

¶  $t_{PLH} \equiv$  propagation delay time, low-to-high-level output;  $t_{PHL} \equiv$  propagation delay time, high-to-low-level output.

NOTE 2: Load circuits and waveforms are shown on page 3-11.

# TYPES SN54S138, SN54S139, SN74S138, SN74S139 DECODERS/DEMULTIPLEXERS

absolute maximum ratings over operating free-air temperature range (unless otherwise noted)

Supply voltage, $V_{CC}$ (see Note 1)	7 V
Input voltage	5.5 V
Operating free-air temperature range: SN54S138, SN54S139 Circuits	-55°C to 125°C
SN74S138, SN74S139 Circuits	0°C to 70°C
Storage temperature range	-65°C to 150°C

NOTE 1: Voltage values are with respect to network ground terminal.

### recommended operating conditions

	SN54S138 SN54S139			SN74S138 SN74S139			UNIT
	MIN	NOM	MAX	MIN	NOM	MAX	
Supply voltage, $V_{CC}$	4.5	5	5.5	4.75	5	5.25	V
High-level output current, $I_{OH}$			-1			-1	mA
Low-level output current, $I_{OL}$			20			20	mA
Operating free-air temperature, $T_A$	-55		125	0		70	°C

electrical characteristics over recommended operating free-air temperature range (unless otherwise noted)

PARAMETER	TEST CONDITIONS†	SN54S138 SN74S138		SN54S139 SN74S139		UNIT
		MIN	TYP‡	MAX	MIN	
$V_{IH}$ High-level input voltage		2		2		V
$V_{IL}$ Low-level input voltage			0.8		0.8	V
$V_{IK}$ Input clamp voltage	$V_{CC} = \text{MIN}, I_I = -18 \text{ mA}$		-1.2		-1.2	V
$V_{OH}$ High-level output voltage	$V_{CC} = \text{MIN}, V_{IH} = 2 \text{ V}, V_{IL} = 0.8 \text{ V}, I_{OH} = -1 \text{ mA}$	SN54S' 2.5	3.4	SN54S' 2.5	3.4	V
$V_{OL}$ Low-level output voltage	$V_{CC} = \text{MIN}, V_{IH} = 2 \text{ V}, V_{IL} = 0.8 \text{ V}, I_{OL} = 20 \text{ mA}$		0.5		0.5	V
$I_I$ Input current at maximum input voltage	$V_{CC} = \text{MAX}, V_I = 5.5 \text{ V}$		1		1	mA
$I_{IH}$ High-level input current	$V_{CC} = \text{MAX}, V_I = 2.7 \text{ V}$		50		50	µA
$I_{IL}$ Low-level input current	$V_{CC} = \text{MAX}, V_I = 0.5 \text{ V}$		-2		-2	mA
$I_{OS}$ Short-circuit output current §	$V_{CC} = \text{MAX}$	-40	-100	-40	-100	mA
$I_{CC}$ Supply current	$V_{CC} = \text{MAX}, \text{Outputs enabled and open}$	49	74	60	90	mA

†For conditions shown as MIN or MAX, use the appropriate value specified under recommended operating conditions for the applicable device type.

‡All typical values are at  $V_{CC} = 5 \text{ V}, T_A = 25^\circ\text{C}$ .

§Not more than one output should be shorted at a time, and duration of the short-circuit test should not exceed one second.

switching characteristics,  $V_{CC} = 5 \text{ V}, T_A = 25^\circ\text{C}$

PARAMETER¶	FROM (INPUT)	TO (OUTPUT)	LEVELS OF DELAY	TEST CONDITIONS	SN54S138, SN74S138		SN54S139 SN74S139		UNIT
					MIN	TYP	MAX	MIN	
$t_{PLH}$	Binary select	Any	2	$C_L = 15 \text{ pF},$ $R_L = 280 \Omega,$ See Note 3	4.5	7	5	7.5	ns
$t_{PHL}$					7	10.5	6.5	10	
$t_{PLH}$					7.5	12	7	12	
$t_{PHL}$	Enable	Any	2		5	8	5	8	ns
$t_{PLH}$					7	11	6.5	10	
$t_{PHL}$					7	11			
$t_{PHL}$				7	11				

¶ $t_{PLH} \equiv$  propagation delay time, low-to-high-level output

¶ $t_{PHL} \equiv$  propagation delay time, high-to-low-level output

NOTE 3: Load circuits and waveforms are shown on page 3-10.

**TEXAS INSTRUMENTS**  
INCORPORATED

POST OFFICE BOX 225012 • DALLAS, TEXAS 75265

- Drives gas-filled cold-cathode indicator tubes directly
- Fully decoded inputs ensure all outputs are off for invalid codes
- Input clamping diodes minimize transmission-line effects

FUNCTION TABLE

INPUT				OUTPUT
D	C	B	A	ON†
L	L	L	L	0
L	L	L	H	1
L	L	H	L	2
L	L	H	H	3
L	H	L	L	4
L	H	L	H	5
L	H	H	L	6
L	H	H	H	7
H	L	L	L	8
H	L	L	H	9
H	L	H	L	NONE
H	L	H	H	NONE
H	H	L	L	NONE
H	H	L	H	NONE
H	H	H	L	NONE
H	H	H	H	NONE

H = high level, L = low level  
† All other outputs are off

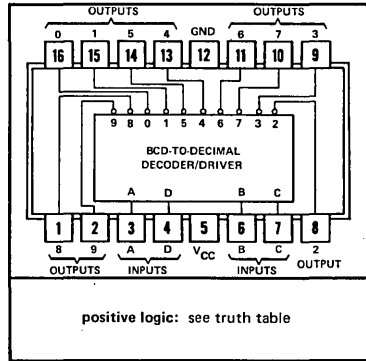
description

The SN74141 is a second-generation BCD-to-decimal decoder designed specifically to drive cold-cathode indicator tubes. This decoder demonstrates an improved capability to minimize switching transients in order to maintain a stable display.

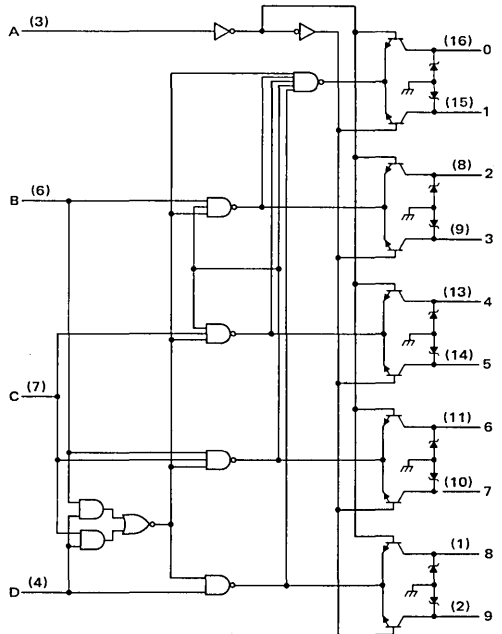
Full decoding is provided for all possible input states. For binary inputs 10 through 15, all the outputs are off. Therefore the SN74141, combined with a minimum of external circuitry, can use these invalid codes in blanking leading- and/or trailing-edge zeros in a display. The ten high-performance, n-p-n output transistors have a maximum reverse current of 50 microamperes at 55 volts.

Low-forward-impedance diodes are also provided for each input to clamp negative-voltage transitions in order to minimize transmission-line effects. Power dissipation is typically 80 milliwatts. The SN74141 is characterized for operation over the temperature range of 0°C to 70°C.

JOR N PACKAGE  
(TOP VIEW)



functional block diagram



# TYPE SN74141

## BCD-TO-DECIMAL DECODER/DRIVER

**absolute maximum ratings over operating free-air temperature range (unless otherwise noted)**

Supply voltage, $V_{CC}$ (see Note 1)	7 V
Input voltage	5.5 V
Current into any output (off-state)	2 mA
Operating free-air temperature range	$0^{\circ}\text{C}$ to $70^{\circ}\text{C}$
Storage temperature range	$-65^{\circ}\text{C}$ to $150^{\circ}\text{C}$

NOTE 1: Voltage values are with respect to network ground terminal.

**recommended operating conditions**

	MIN	NOM	MAX	UNIT
Supply voltage, $V_{CC}$	4.75	5	5.25	V
Off-state output voltage			60	V
Operating free-air temperature, $T_A$	0		70	$^{\circ}\text{C}$

**electrical characteristics over recommended operating free-air temperature range (unless otherwise noted)**

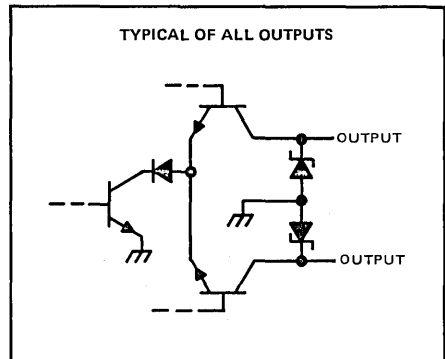
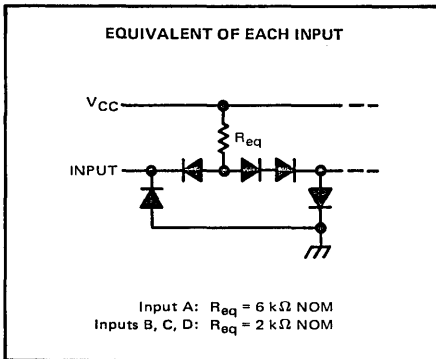
PARAMETER		TEST CONDITIONS†	MIN	TYP‡	MAX	UNIT
$V_{IH}$	High-level input voltage		2			V
$V_{IL}$	Low-level input voltage				0.8	V
$V_{IK}$	Input clamp voltage	$V_{CC} = \text{MIN}$ , $I_I = -5 \text{ mA}$			-1.5	V
$V_{O(on)}$	On-state output voltage	$V_{CC} = \text{MIN}$ , $I_O = 7 \text{ mA}$			2.5	V
$V_{O(off)}$	Off-state output voltage for input counts 0 thru 9	$V_{CC} = \text{MAX}$ , $I_O = 0.5 \text{ mA}$	60			V
$I_{O(off)}$	Off-state reverse current	$V_{CC} = \text{MAX}$ , $V_O = 55 \text{ V}$			50	$\mu\text{A}$
$I_{O(off)}$	Off-state reverse current for input counts 10 thru 15	$V_{CC} = \text{MAX}$ , $V_O = 30 \text{ V}$			5	$\mu\text{A}$
		$T_A = 55^{\circ}\text{C}$			15	
		$T_A = 70^{\circ}\text{C}$			15	
$I_I$	Input current at maximum input voltage	$V_{CC} = \text{MAX}$ , $V_I = 5.5 \text{ V}$			1	mA
$I_{IH}$	High-level input current	A input			40	$\mu\text{A}$
		B, C, or D input			80	
$I_{IL}$	Low-level input current	A input			-1.6	mA
		B, C, or D input			-3.2	
$I_{CC}$	Supply current	$V_{CC} = \text{MAX}$ , See Note 2		16	25	mA

† For conditions shown as MIN or MAX, use the appropriate value specified under recommended operating conditions.

‡ This typical value is at  $V_{CC} = 5 \text{ V}$ ,  $T_A = 25^{\circ}\text{C}$ .

NOTE 2:  $I_{CC}$  is measured with all inputs grounded and outputs open.

**schematics of inputs and outputs**



7

TTL  
MSI

# TYPE SN74142 BCD COUNTER/4-BIT LATCH/BCD DECODER/DRIVER

BULLETIN NO. DL-S 7211719, MAY 1972—REVISED DECEMBER 1972

FUNCTION TABLE

INPUTS			OUTPUTS	
COUNT PULSE (CLOCK)	CLEAR	LATCH STROBE	0†	$\bar{Q}_D$
X	L	L	0	H
1	H	L	1	H
2	H	L	2	H
3	H	L	3	H
4	H	L	4	H
5	H	L	5	H
6	H	L	6	H
7	H	L	7	H
8	H	L	8	L
9	H	L	9	L
10	H	L	0	H
11	H	H	0	H

† All other outputs are off.

H = high level, L = low level, X = irrelevant

## description

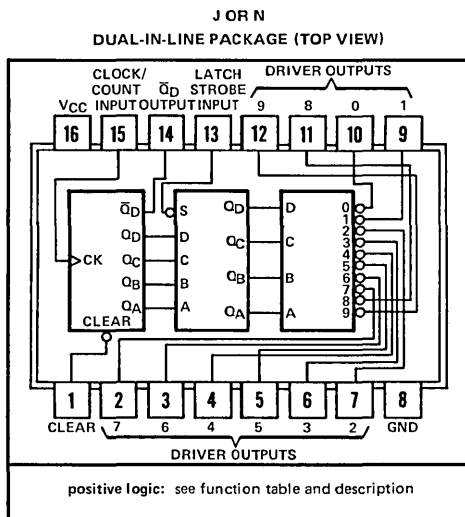
The SN74142 contains a divide-by-ten (BCD) counter, a four-bit latch, and a decoder/*Nixie*† tube driver on a monolithic chip and is packaged in popular 16-pin packages. This single MSI function can replace the equivalent of three separately packaged MSI circuits to reduce printed-circuit board area and the number of system interconnections, resulting in reduced costs and improved reliability.

Four master-slave flip-flops are fully decoded to provide a divide-by-ten counter. A direct clear input will, when taken low, reset and hold the counter at zero (all Q outputs low,  $\bar{Q}_D$  output high). While the clear input is inactive (high), each positive-going transition of the clock will increment the counter. The  $\bar{Q}_D$  output is made available externally for cascading to n-bit counters.

The Q outputs of the counter are routed to the data inputs of the four-bit latch. While the latch strobe input is low, the internal latch outputs will follow the respective Q outputs of the counter. When the latch strobe input is taken high, the latch stores the data which has been setup by the counter outputs prior to the low-to-high level transition of the latch strobe input. The  $\bar{Q}_D$  output from the counter is not stored by the latch since it is intended for clocking the next counter stage. This means that the system counter can continuously acquire new data. Since all outputs of the latch and Q outputs of the counter drive low-capacitance on-chip loads, the circuitry is considerably simplified with respect to the number of components required. This results in a highly efficient function which typically reduces power requirements 15% when compared to systems using the three separate packages.

The SN74142 counter/latch/driver features fully buffered inputs to reduce drive requirements to one normalized Series 74 load per input, and diode-clamping of all inputs to minimize transmission line effects. The counter will accept input clock frequencies up to 20 MHz and is entirely compatible for use with all popular TTL and DTL logic circuits. The high-performance n-p-n driver outputs are identical to the SN74141 and have a maximum off-state reverse current of 50 microamperes at 55 volts.

† *Nixie* is a registered trademark of the Burroughs Corporation.



positive logic: see function table and description

# TYPE SN74142

## BCD COUNTER/4-BIT LATCH/BCD DECODER/DRIVER

absolute maximum ratings over operating free-air temperature range (unless otherwise noted)

Supply voltage, $V_{CC}$ (see Note 1)	7 V
Input voltage	5.5 V
Off-state current into outputs 0 thru 9	1 mA
Operating free-air temperature range	0°C to 70°C
Storage temperature range	-65°C to 150°C

NOTE 1: All voltage values are with respect to the network ground terminal.

### recommended operating conditions

	MIN	NOM	MAX	UNIT
Supply voltage, $V_{CC}$	4.75	5	5.25	V
High-level output current from $\bar{Q}_D$ , $I_{OH}$			-400	$\mu$ A
Low-level output current from $\bar{Q}_D$ , $I_{OL}$			8	mA
Input clock frequency, $f_{clock}$	0		20	MHz
Clock pulse width, $t_w(\text{clock})$ (see Figure 1)	High logic level	15		ns
	Low logic level	35		
Clear pulse width, $t_w(\text{clear})$ (see Figure 1)	25			ns
Strobe pulse width, $t_w(\text{strobe})$ (see Figure 1)	20			ns
Clear inactive-state setup time, $t_{su}$ (see Figure 1)	25			ns
Strobe time, $t_{strobe}$ (see Figure 1)	45		$t_w(\text{clock})$ +10	ns
Operating free-air temperature, $T_A$	0		70	°C

electrical characteristics over recommended operating free-air temperature range (unless otherwise noted)

PARAMETER	TEST CONDITIONS†	MIN	TYP‡	MAX	UNIT
$V_{IH}$ High-level input voltage		2			V
$V_{IL}$ Low-level input voltage				0.8	V
$V_{IK}$ Input clamp voltage	$V_{CC} = \text{MIN}$ , $I_I = -12 \text{ mA}$			-1.5	V
$V_{OH}$ High-level $\bar{Q}_D$ output voltage	$V_{CC} = \text{MIN}$ , $I_{OH} = -400 \mu\text{A}$	2.4	3.4		V
$V_{OL}$ Low-level $\bar{Q}_D$ output voltage	$V_{CC} = \text{MIN}$ , $I_{OL} = 8 \text{ mA}$		0.2	0.4	V
$V_{O(\text{on})}$ On-state voltage, outputs 0 thru 9	$V_{CC} = \text{MIN}$ , $I_O = 7 \text{ mA}$			2.5	V
$V_{O(\text{off})}$ Off-state voltage, outputs 0 thru 9	$V_{CC} = \text{MAX}$ , $I_O = 0.5 \text{ mA}$	60			V
$I_{O(\text{off})}$ Off-state current, outputs 0 thru 9	$V_{CC} = \text{MAX}$ , $V_O = 55 \text{ V}$			50	$\mu$ A
$I_I$ Input current at maximum input voltage	$V_{CC} = \text{MAX}$ , $V_I = 5.5 \text{ V}$			1	mA
$I_{IH}$ High-level input current	$V_{CC} = \text{MAX}$ , $V_I = 2.4 \text{ V}$			40	$\mu$ A
$I_{IL}$ Low-level input current	$V_{CC} = \text{MAX}$ , $V_I = 0.4 \text{ V}$			-1.6	mA
$I_{OS}$ Short-circuit $\bar{Q}_D$ output current	$V_{CC} = \text{MAX}$	-18		-55	mA
$I_{CC}$ Supply current	$V_{CC} = \text{MAX}$ , All outputs open		68	102	mA

†For conditions shown as MIN or MAX, use the appropriate value specified under recommended operating conditions.

‡All typical values are at  $V_{CC} = 5 \text{ V}$ ,  $T_A = 25^\circ\text{C}$ .

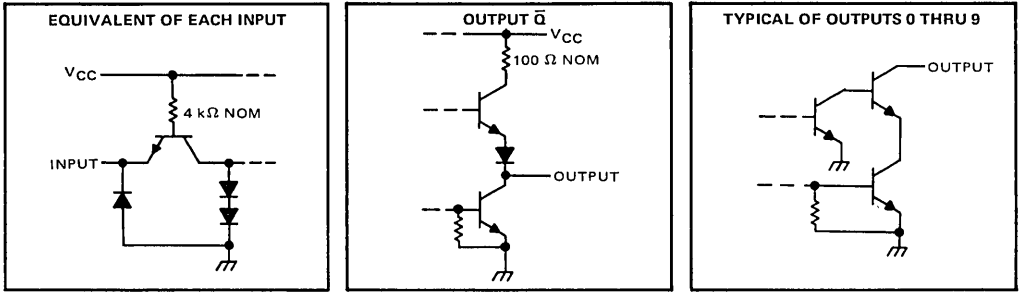
switching characteristics,  $V_{CC} = 5 \text{ V}$ ,  $T_A = 25^\circ\text{C}$

PARAMETER	TEST CONDITIONS	MIN	TYP	MAX	UNIT
$t_{PLH}$ Propagation delay time, low-to-high-level $\bar{Q}_D$ output from clock	$C_L = 15 \text{ pF}$ , $R_L = 800 \Omega$ , See Figure 1		35	55	ns
$t_{PHL}$ Propagation delay time, high-to-low-level $\bar{Q}_D$ output from clock			30	45	
$t_{PLH}$ Propagation delay time, low-to-high-level $\bar{Q}_D$ output from clear			30	45	

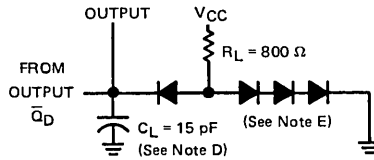
# TYPE SN74142

## BCD COUNTER/4-BIT LATCH/BCD DECODER/DRIVER

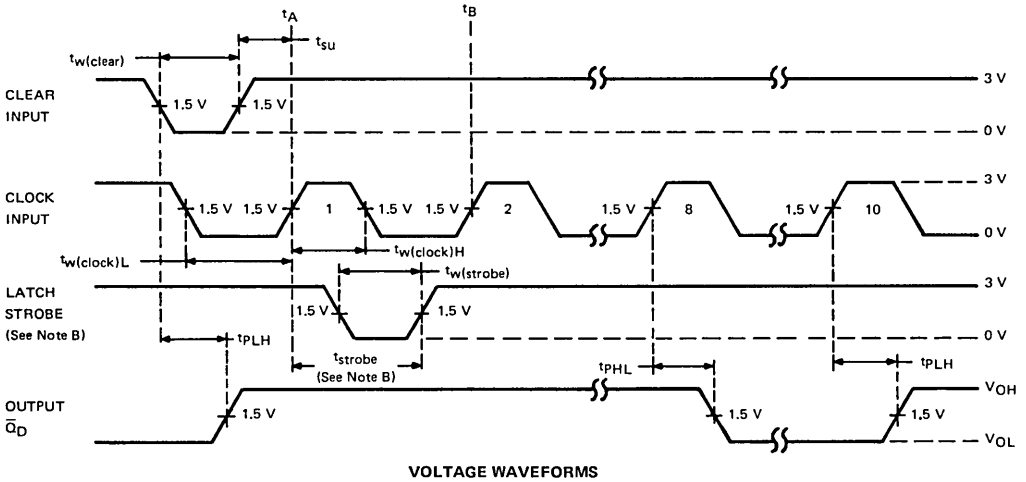
schematics of inputs and outputs



### PARAMETER MEASUREMENT INFORMATION



### LOAD CIRCUIT



### VOLTAGE WAVEFORMS

- NOTES: A. This typical abbreviated sequence illustrates clearing from count 8 or 9 and counting through ten clock pulses. Clock pulses 3 through 7 and 9 are omitted for brevity.
- B. Strobe input can go low at any time; however, the positive transition to store data from any given clock transition ( $t_A$ ) must occur a minimum of 45 ns after  $t_A$  and prior to 10 ns after the next positive-going clock transition ( $t_B + 10$  ns).
- C. Input pulses are supplied by generators having the following characteristics:  $t_r \leq 7$  ns,  $t_f \leq 7$  ns, PRR = 1 MHz, and  $Z_{out} \approx 50 \Omega$ .
- D.  $C_L$  includes probe and jig capacitance.
- E. All diodes are 1N3064.

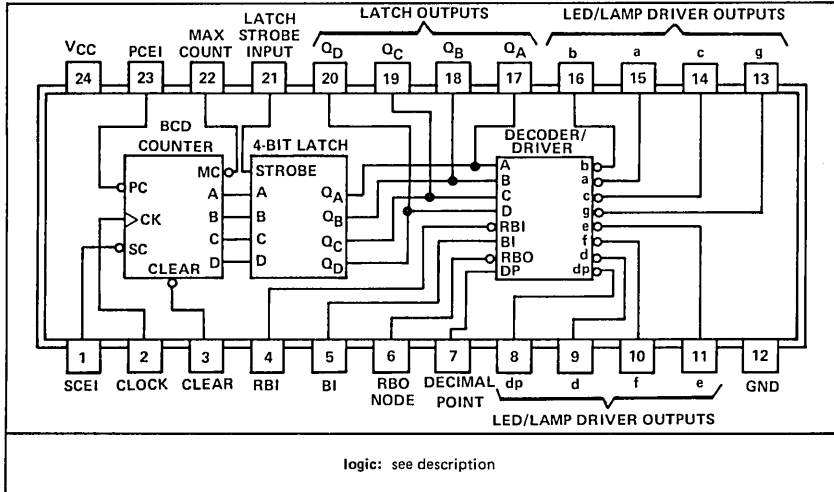
FIGURE 1

TTL  
MSI

# TYPES SN54143, SN54144, SN74143, SN74144 4-BIT COUNTER/LATCH, SEVEN-SEGMENT LED/LAMP DRIVERS

BULLETIN NO. DL-S 7211538, NOVEMBER 1971—REVISED DECEMBER 1972

SN54143, SN54144 . . . J OR W PACKAGE  
SN74143, SN74144 . . . J OR N PACKAGE  
(TOP VIEW)



• **Choice of Driver Outputs:**

SN54143 and SN74143 have 15-mA Constant-Current Outputs for Driving Common-Anode LED's such as TIL302 or TIL303 without Series Resistors

SN54144 and SN74144 Drive High-Current Lamps, Numitrons<sup>†</sup>, or LED's from Saturated Open-Collector Outputs

• **Universal Logic Capabilities**

Ripple Blanking of Extraneous Zeros

Latch Outputs Can Drive Logic Processors Simultaneously

Decimal Point Driver Is Included

• **Synchronous BCD Counter Capability Includes:**

Cascadable to N-Bits

Look-Ahead-Enable Techniques Minimize Speed Degradation When Cascaded for Large-Word Display

Direct Clear Input

**description**

These TTL MSI circuits contain the equivalent of 86 gates on a single chip. Logic inputs and outputs are completely TTL/DTL compatible. The buffered inputs are implemented with relatively large resistors in series with the bases of the input transistors to lower drive-current requirements to one-half of that required for a standard Series 54/74 TTL input. The serial-count-enable, actually two internal emitters, is rated as one standard series 54/74 load. The logic outputs, except RBO, have active pull-ups.

The SN54143 and SN74143 driver outputs are designed specifically to maintain a relatively constant on-level sink current of approximately 15 milliamperes from outputs "a" through "g" and seven milliamperes from output "dp" over a voltage range from one to five volts. Any number of LED's in series may be driven as long as the output voltage rating is not exceeded.

<sup>†</sup>Trademark of RCA



## TYPES SN54143, SN54144, SN74143, SN74144

### 4-BIT COUNTER/LATCH, SEVEN-SEGMENT LED/LAMP DRIVERS

#### description (continued)

The SN54144 and SN74144 drivers have high-sink-current saturated outputs for driving indicators having voltage ratings up to 15 volts or requiring up to 25 milliamperes drive. The SN54144 sinks 20 milliamperes and the SN74144 sinks 25 milliamperes at an on-level voltage of 0.6 volts across their respective operating temperature ranges.

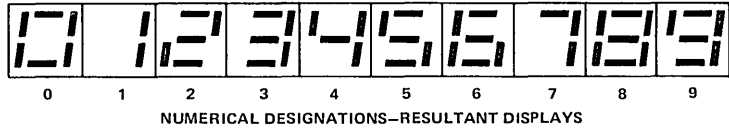
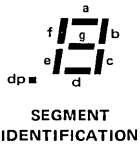
All inputs are diode-clamped to minimize transmission-line effects, thereby simplifying system design. Maximum clock frequency is typically 18 megahertz and power dissipation is typically 280 milliwatts. The SN54143 and SN54144 are characterized for operation over the full military temperature range of  $-55^{\circ}\text{C}$  to  $125^{\circ}\text{C}$ ; the SN74143 and SN74144 are characterized for operation from  $0^{\circ}\text{C}$  to  $70^{\circ}\text{C}$ .

Functions of the inputs and outputs of these devices are as follows:

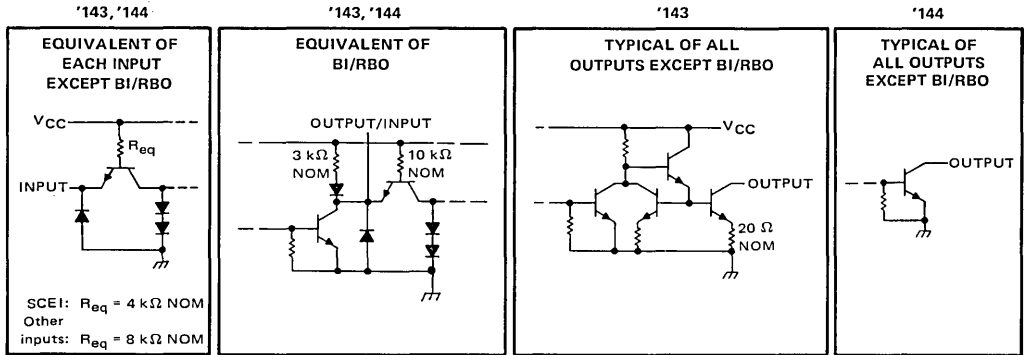
FUNCTION	PIN NO.	DESCRIPTION
CLEAR INPUT	3	When low, resets and holds counter at 0. Must be high for normal counting.
CLOCK INPUT	2	Each positive-going transition will increment the counter provided that the circuit is in the normal counting mode (serial and parallel count enable inputs low, clear input high).
PARALLEL COUNT ENABLE INPUT (PCEI)	23	Must be low for normal counting mode. When high, counter will be inhibited. Logic level must not be changed when the clock is low.
SERIAL COUNT ENABLE INPUT (SCEI)	1	Must be low for normal counting mode, also must be low to enable maximum count output to go low. When high, counter will be inhibited and maximum count output will be driven high. Logic level must not be changed when the clock is low.
MAXIMUM COUNT OUTPUT	22	Will go low when the counter is at 9 and serial count enable input is low. Will return high when the counter changes to 0 and will remain high during counts 1 through 8. Will remain high (inhibited) as long as serial count enable input is high.
LATCH STROBE INPUT	21	When low, data in latches follow the data in the counter. When high, the data in the latches are held constant, and the counter may be operated independently.
LATCH OUTPUTS (Q <sub>A</sub> , Q <sub>B</sub> , Q <sub>C</sub> , Q <sub>D</sub> )	17, 18, 19, 20	The BCD data that drives the decoder can be stored in the 4-bit latch and is available at these outputs for driving other logic and/or processors. The binary weights of the outputs are: Q <sub>A</sub> = 1, Q <sub>B</sub> = 2, Q <sub>C</sub> = 4, Q <sub>D</sub> = 8.
DECIMAL POINT INPUT	7	Must be high to display decimal point. The decimal point is not displayed when this input is low or when the display is blanked.
BLANKING INPUT (BI)	5	When high, will blank (turn off) the entire display and force RBO low. Must be low for normal display. May be pulsed to implement intensity control of the display.
RIPPLE-BLANKING INPUT (RBI)	4	When the data in the latches is BCD 0, a low input will blank the entire display and force the RBO low. This input has no effect if the data in the latches is other than 0.
RIPPLE-BLANKING OUTPUT (RBO)	6	Supplies ripple blanking information for the ripple blanking input of the next decade. Provides a low if BI is high, or if RBI is low and the data in the latches is BCD 0; otherwise, this output is high. This pin has a resistive pull-up circuit suitable for performing a wire-AND function with any open-collector output. Whenever this pin is low the entire display will be blanked; therefore, this pin may be used as an active-low blanking input.
LED/LAMP DRIVER OUTPUTS (a, b, c, d, e, f, g, dp)	15, 16, 14, 9 11, 10, 13, 8	Outputs for driving seven-segment LED's or lamps and their decimal points. See segment identification and resultant displays on following page.

# TYPES SN54143, SN54144, SN74143, SN74144

## 4-BIT COUNTER/LATCH, SEVEN-SEGMENT LED/LAMP DRIVERS



### schematics of inputs and outputs



### absolute maximum ratings over operating free-air temperature range (unless otherwise noted)

Supply voltage, $V_{CC}$ (see Note 1)	7 V
Input voltage	5.5 V
Off-state voltage at outputs "a" thru "g" and "dp", '144	15 V
Off-state current at outputs "a" thru "g" and "dp", '143	250 $\mu\text{A}$
Continuous total power dissipation at (or below) 70°C free-air temperature (see Note 2)	1.4 W
Operating free-air temperature range: SN54' Circuits	-55°C to 125°C
SN74' Circuits	0°C to 70°C
Storage temperature range	-65°C to 150°C

NOTES: 1. Voltage values are with respect to network ground terminal.

2. For the SN54143 and SN54144 in the N and W packages, this rating applies at (or below) 80°C free-air temperature. For operation above this temperature, derate linearly at the rate of 11.7 mW/°C for the W package and 14.7 mW/°C for the N package. No derating is required for these devices in the J package.

### recommended operating conditions

	SN54143, SN54144			SN74143, SN74144			UNIT
	MIN	NOM	MAX	MIN	NOM	MAX	
Supply voltage, $V_{CC}$	4.5	5	5.5	4.75	5	5.25	V
On-state voltage at outputs a thru g and dp ('143 only)	1		5	1		5	V
High-level output current, $I_{OH}$	$Q_A, Q_B, Q_C, Q_D$		-240			-240	$\mu\text{A}$
	Maximum count		-560			-560	
	RBO		-120			-120	
Low-level output current, $I_{OL}$	$Q_A, Q_B, Q_C, Q_D, RBO$		4.8			4.8	mA
	Maximum count		11.2			11.2	
Clock pulse width, $t_w(\text{clock})$	High logic level	25		25			ns
	Low logic level	55		55			
Clear pulse width, $t_w(\text{clear})$		25		25			ns
Setup time, $t_{su}$	Serial and parallel carry	30†		30†			ns
	Clear inactive state	60†		60†			
Operating free-air temperature, $T_A$		-55	125	0	70		°C

†The arrow indicates that the rising edge of the clock pulse is used for reference.

# TYPES SN54143, SN54144, SN74143, SN74144

## 4-BIT COUNTER/LATCH, SEVEN-SEGMENT LED/LAMP DRIVERS

electrical characteristics over recommended operating temperature range (unless otherwise noted)

PARAMETER	TEST CONDITIONS†	SN54143, SN74143			SN54144, SN74144			UNIT
		MIN	TYP‡	MAX	MIN	TYP‡	MAX	
V <sub>IH</sub> High-level input voltage		2			2			V
V <sub>IL</sub> Low-level input voltage				0.8			0.8	V
V <sub>IK</sub> Input clamp voltage	V <sub>CC</sub> = MIN, I <sub>I</sub> = -12 mA			-1.5			-1.5	V
V <sub>OH</sub> High-level output voltage	RBO							
	Q <sub>A</sub> , Q <sub>B</sub> , Q <sub>C</sub> , Q <sub>D</sub>	V <sub>CC</sub> = MIN, V <sub>IH</sub> = 2 V,	2.4		2.4			V
	Maximum count	V <sub>IL</sub> = 0.8 V, I <sub>OH</sub> = MAX						
V <sub>OL</sub> Low-level output voltage	Q <sub>A</sub> , Q <sub>B</sub> , Q <sub>C</sub> , Q <sub>D</sub> , RBO	V <sub>CC</sub> = MIN, V <sub>IH</sub> = 2 V,						
	Maximum count	V <sub>IL</sub> = 0.8 V, I <sub>OL</sub> = MAX		0.4		0.4		V
V <sub>O(off)</sub> Off-state output voltage	Outputs a thru g, dp	V <sub>CC</sub> = MAX, I <sub>OH</sub> = 250 μA	7		15			V
V <sub>O(on)</sub> On-State output voltage	Outputs a thru g, dp	V <sub>CC</sub> = MIN, See Note 3					0.6	V
I <sub>O(on)</sub> On-state output current	Outputs a thru g	V <sub>CC</sub> = MIN, V <sub>O</sub> = 1 V	9	15				mA
		V <sub>CC</sub> = 5 V, V <sub>O</sub> = 2 V		15				
		V <sub>CC</sub> = MAX, V <sub>O</sub> = 5 V		15	22			
	Output dp	V <sub>CC</sub> = MIN, V <sub>O</sub> = 1 V	4.5	7				
		V <sub>CC</sub> = 5 V, V <sub>O</sub> = 2 V		7				
	V <sub>CC</sub> = MAX, V <sub>O</sub> = 5 V		7	12				
I <sub>I</sub> Input current at maximum input voltage	V <sub>CC</sub> = MAX, V <sub>I</sub> = 5.5 V			1			1	mA
I <sub>IH</sub> High-level input current	Serial carry						40	μA
	RBO node	V <sub>CC</sub> = MAX, V <sub>I</sub> = 2.4 V	-0.12	-0.5	-0.12	-0.5		mA
	Other inputs			20		20		μA
I <sub>IL</sub> Low-level input current	Serial carry				-1.6		-1.6	mA
	RBO node	V <sub>CC</sub> = MAX, V <sub>I</sub> = 0.4 V,		-1.5	-2.4	-1.5	-2.4	
	Other inputs	See Note 4			-0.8		-0.8	
I <sub>OS</sub> Short-circuit output current	Q <sub>A</sub> , Q <sub>B</sub> , Q <sub>C</sub> , Q <sub>D</sub>	V <sub>CC</sub> = MAX	-9	-27.5	-9	-27.5		mA
	Maximum count		-15	-55	-15	-55		
I <sub>CC</sub> Supply current	V <sub>CC</sub> = MAX, See Note 5		56	93		56	93	mA

† For conditions shown as MIN or MAX, use the appropriate value specified under recommended operating conditions for the applicable type.

‡ All typical values are at V<sub>CC</sub> = 5 V, T<sub>A</sub> = 25°C.

NOTES: 3. For SN54144, I<sub>OL</sub> = 20 mA; for SN74144, I<sub>OL</sub> = 25 mA.

4. I<sub>IL</sub> at RBO node is tested with BI grounded and RBI at 4.5 V.

5. I<sub>CC</sub> is measured after the following conditions are established:

- Strobe = RBI = DP = 4.5 V
- Parallel count enable = serial count enable = BI = GND
- Clear (L) then clock until all outputs are on (L)
- For '143, outputs "a" through "g" and "dp" = 2.5 V, all other outputs open. For '144, all outputs are open.

switching characteristics, V<sub>CC</sub> = 5 V, T<sub>A</sub> = 25°C

PARAMETER §	FROM (INPUT)	TO (OUTPUT)	TEST CONDITIONS	MIN	TYP	MAX	UNIT	
f <sub>max</sub>				12	18		MHz	
t <sub>PLH</sub>	Serial look-ahead	Maximum count	C <sub>L</sub> = 15 pF, R <sub>L</sub> = 560 Ω, See Note 6		12	20	ns	
t <sub>PHL</sub>					23	35		
t <sub>PLH</sub>	Clock	Maximum count			26	40	ns	
t <sub>PHL</sub>					29	45		
t <sub>PLH</sub>	Clock	Q <sub>A</sub> , Q <sub>B</sub> , Q <sub>C</sub> , Q <sub>D</sub>		C <sub>L</sub> = 15 pF, R <sub>L</sub> = 1.2 kΩ, See Note 6		28	45	ns
t <sub>PHL</sub>						38	60	
t <sub>PHL</sub>	Clear	Q <sub>A</sub> , Q <sub>B</sub> , Q <sub>C</sub> , Q <sub>D</sub>			57	90	ns	
t <sub>PHL</sub>								

§ f<sub>max</sub> ≡ Maximum clock frequency, t<sub>PLH</sub> ≡ Propagation delay time, low-to-high-level output,

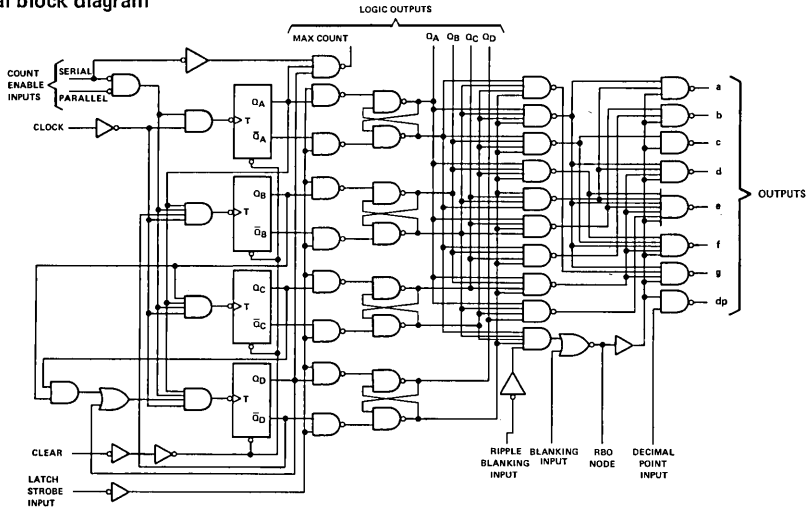
t<sub>PHL</sub> ≡ Propagation delay time, high-to-low-level output

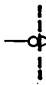
NOTE 6: Load circuit and voltage waveforms are shown on page 3-10.

# TYPES SN54143, SN54144, SN74143, SN74144

## 4-BIT COUNTER/LATCH, SEVEN-SEGMENT LED/LAMP DRIVERS

functional block diagram

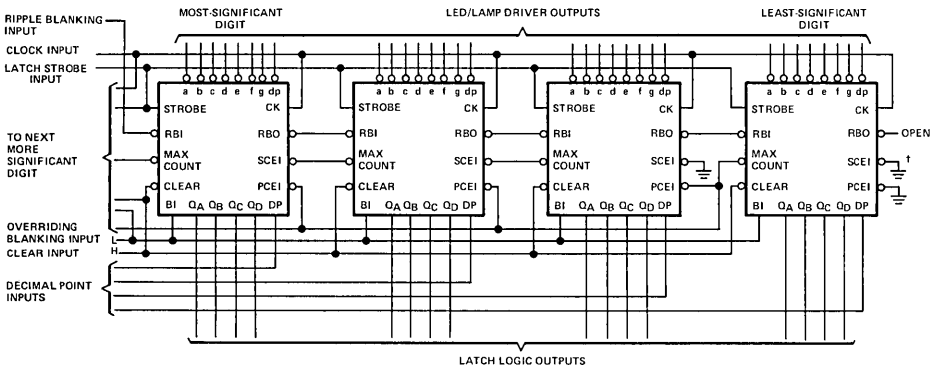


 ... Dynamic input activated by a transition from a high level to a low level.

### TYPICAL APPLICATION DATA

This application demonstrates how the drivers may be cascaded for N-bit display applications. It features:

- Synchronous, look-ahead counting
- Ripple blanking of leading zeros; blanking of trailing zeros (not illustrated) can also be implemented
- Overriding blanking for total suppression or intensity modulation of display
- Direct parallel clear
- Latch strobe permits counter to acquire next display while viewing current display



†The serial count-enable input of the least-significant digit is normally grounded; however, it may be used as a count-enable control for the entire counter (high to disable, low to count) provided the logic level on this pin is not changed while the clock line is low or false counting may result.

TTL  
MSI

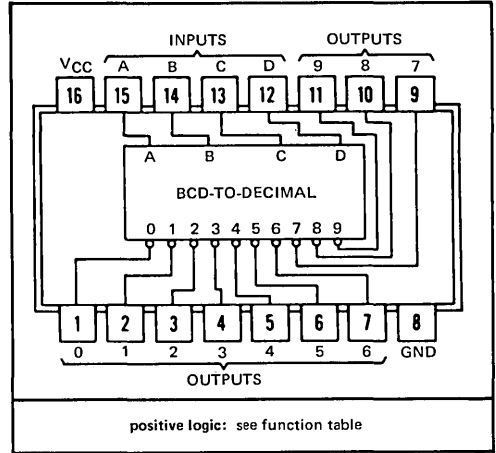
# TYPES SN54145, SN54LS145, SN74145, SN74LS145 BCD-TO-DECIMAL DECODERS/DRIVERS

BULLETIN NO. DL-S 7611815, MARCH 1974—REVISED OCTOBER 1976

FOR USE AS LAMP, RELAY, OR MOS DRIVERS

- Full Decoding of Input Logic
- SN54145, SN74145, and SN74LS145 Have 80-mA Sink-Current Capability
- All Outputs Are Off for Invalid BCD Input Conditions
- Low Power Dissipation of 'LS145 . . . 35 mW Typical

SN54145, SN54LS145 . . . J OR W PACKAGE  
SN74145, SN74LS145 . . . J OR N PACKAGE  
(TOP VIEW)



logic

FUNCTION TABLE

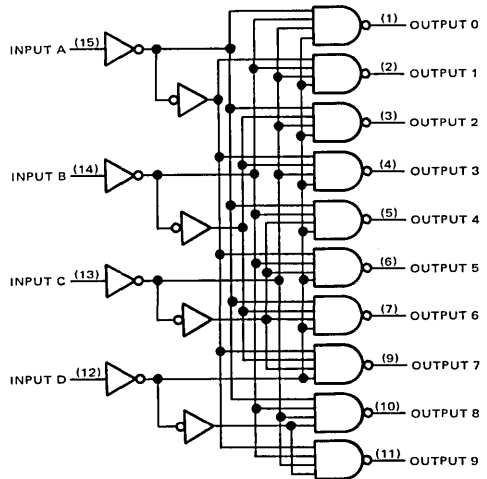
NO.	INPUTS				OUTPUTS										
	D	C	B	A	0	1	2	3	4	5	6	7	8	9	
0	L	L	L	L	L	H	H	H	H	H	H	H	H	H	H
1	L	L	L	H	H	L	H	H	H	H	H	H	H	H	H
2	L	L	H	L	H	H	L	H	H	H	H	H	H	H	H
3	L	L	H	H	H	H	L	H	H	H	H	H	H	H	H
4	L	H	L	L	H	H	H	H	L	H	H	H	H	H	H
5	L	H	L	H	H	H	H	H	H	L	H	H	H	H	H
6	L	H	H	L	H	H	H	H	H	H	L	H	H	H	H
7	L	H	H	H	H	H	H	H	H	H	H	L	H	H	H
8	H	L	L	L	H	H	H	H	H	H	H	H	H	L	H
9	H	L	L	H	H	H	H	H	H	H	H	H	H	H	L
INVALID	H	L	H	L	H	H	H	H	H	H	H	H	H	H	H
	H	L	H	H	H	H	H	H	H	H	H	H	H	H	H
	H	H	L	L	H	H	H	H	H	H	H	H	H	H	H
	H	H	L	H	H	H	H	H	H	H	H	H	H	H	H
	H	H	H	L	H	H	H	H	H	H	H	H	H	H	H

H = high level (off), L = low level (on)

## description

These monolithic BCD-to-decimal decoder/drivers consist of eight inverters and ten four-input NAND gates. The inverters are connected in pairs to make BCD input data available for decoding by the NAND gates. Full decoding of valid BCD input logic ensures that all outputs remain off for all invalid binary input conditions. These decoders feature high-performance, n-p-n output transistors designed for use as indicator/relay drivers or as open-collector logic-circuit drivers. Each of the high-breakdown output transistors (15 volts) of the SN54145, SN74145, or SN74LS145 will sink up to 80 milliamperes of current. Each input is one Series 54/74 or Series 54LS/74LS standard load, respectively. Inputs and outputs are entirely compatible for use with TTL or DTL logic circuits, and the outputs are compatible for interfacing with most MOS integrated circuits. Power dissipation is typically 215 milliwatts for the '145 and 35 milliwatts for the 'LS145.

## functional block diagram



# TYPES SN54145, SN74145

## BCD-TO-DECIMAL DECODERS/DRIVERS

absolute maximum ratings over operating free-air temperature range (unless otherwise noted)

Supply voltage, $V_{CC}$ (see Note 1)	7 V
Input voltage	5.5 V
Maximum current into any output (off-state)	1 mA
Operating free-air temperature range: SN54145	-55°C to 125°C
SN74145	0°C to 70°C
Storage temperature range	-65°C to 150°C

NOTE 1: Voltage values are with respect to network ground terminal.

recommended operating conditions

	SN54145			SN74145			UNIT
	MIN	NOM	MAX	MIN	NOM	MAX	
Supply voltage, $V_{CC}$	4.5	5	5.5	4.75	5	5.25	V
Off-state output voltage, $V_{O(off)}$	15			15			V
Operating free-air temperature, $T_A$	-55			0			°C

electrical characteristics over recommended operating free-air temperature range (unless otherwise noted)

PARAMETER	TEST CONDITIONS†	MIN	TYP‡	MAX	UNIT	
$V_{IH}$ High-level input voltage		2			V	
$V_{IL}$ Low-level input voltage		0.8			V	
$V_{IK}$ Input clamp voltage	$V_{CC} = \text{MIN}, I_I = -12 \text{ mA}$	-1.5			V	
$I_{O(off)}$ Off-state output current	$V_{CC} = \text{MIN}, V_{IH} = 2 \text{ V}, V_{IL} = 0.8 \text{ V}, V_{O(off)} = 15 \text{ V}$	250			$\mu\text{A}$	
$V_{O(on)}$ On-state output voltage	$V_{CC} = \text{MIN}, V_{IH} = 2 \text{ V}, V_{IL} = 0.8 \text{ V}$	$I_{O(on)} = 80 \text{ mA}$		0.5	0.9	V
		$I_{O(on)} = 20 \text{ mA}$		0.4		
$I_I$ Input current at maximum input voltage	$V_{CC} = \text{MAX}, V_I = 5.5 \text{ V}$	1			mA	
$I_{IH}$ High-level input current	$V_{CC} = \text{MAX}, V_I = 2.4 \text{ V}$	40			$\mu\text{A}$	
$I_{IL}$ Low-level input current	$V_{CC} = \text{MAX}, V_I = 0.4 \text{ V}$	-1.6			mA	
$I_{CC}$ Supply current	$V_{CC} = \text{MAX},$ See Note 2	SN54145		43	62	mA
		SN74145		43	70	

† For conditions shown as MIN or MAX, use the appropriate value specified under recommended operating conditions.

‡ All typical values are at  $V_{CC} = 5 \text{ V}, T_A = 25^\circ\text{C}$ .

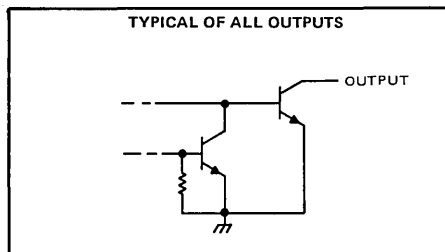
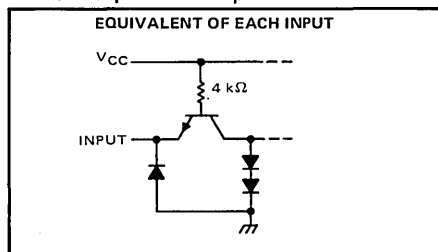
NOTE 2:  $I_{CC}$  is measured with all inputs grounded and outputs open.

switching characteristics,  $V_{CC} = 5 \text{ V}, T_A = 25^\circ\text{C}$

PARAMETER	TEST CONDITIONS	MIN	MAX	UNIT
$t_{PLH}$ Propagation delay time, low-to-high-level output	$C_L = 15 \text{ pF}, R_L = 100 \Omega,$ See Note 3	50		ns
$t_{PHL}$ Propagation delay time, high-to-low-level output		50		

NOTE 3: Load circuit and waveforms are shown on page 3-10.

schematics of inputs and outputs



# TYPES SN54LS145, SN74LS145

## BCD-TO-DECIMAL DECODERS/DRIVERS

REVISED OCTOBER 1976

### absolute maximum ratings over operating free-air temperature range (unless otherwise noted)

Supply voltage, $V_{CC}$ (see Note 1)	7 V
Input voltage	7 V
Operating free-air temperature range: SN54LS145	-55°C to 125°C
SN74LS145	0°C to 70°C
Storage temperature range	-65°C to 150°C

NOTE 1: Voltage values are with respect to network ground terminal.

### recommended operating conditions

	SN54LS145			SN74LS145			UNIT
	MIN	NOM	MAX	MIN	NOM	MAX	
Supply voltage, $V_{CC}$	4.5	5	5.5	4.75	5	5.25	V
Off-state output voltage, $V_{O(off)}$	15			15			V
Operating free-air temperature, $T_A$	-55			0			70 °C

### electrical characteristics over recommended operating free-air temperature range (unless otherwise noted)

PARAMETER	TEST CONDITIONS†	SN54LS145			SN74LS145			UNIT
		MIN	TYP‡	MAX	MIN	TYP‡	MAX	
$V_{IH}$ High-level input voltage		2			2			V
$V_{IL}$ Low-level input voltage		0.7			0.8			V
$V_{IK}$ Input clamp voltage	$V_{CC} = \text{MIN}, I_I = -18 \text{ mA}$	-1.5			-1.5			V
$I_{O(off)}$ Off-state output current	$V_{CC} = \text{MIN}, V_{IH} = 2 \text{ V}, V_{IL} = V_{IL \text{ max}}, V_{OH} = 15 \text{ V}$	250			250			$\mu\text{A}$
$V_{O(on)}$ On-state output voltage	$V_{CC} = \text{MIN}, V_{IH} = 2 \text{ V}, V_{IL} = V_{IL \text{ max}}$	$I_{OL} = 12 \text{ mA}$	0.25	0.4	0.25	0.4	V	
		$I_{OL} = 24 \text{ mA}$	0.35			0.5		
		$I_{OL} = 80 \text{ mA}$	2.3			3		
$I_I$ Input current at maximum input voltage	$V_{CC} = \text{MAX}, V_I = 7 \text{ V}$	0.1			0.1			mA
$I_{IH}$ High-level input current	$V_{CC} = \text{MAX}, V_I = 2.7 \text{ V}$	20			20			$\mu\text{A}$
$I_{IL}$ Low-level input current	$V_{CC} = \text{MAX}, V_I = 0.4 \text{ V}$	-0.4			-0.4			mA
$I_{CC}$ Supply current	$V_{CC} = \text{MAX},$ See Note 2	7	13		7	13	mA	

† For conditions shown as MIN or MAX, use the appropriate value specified under recommended operating conditions.

‡ All typical values are at  $V_{CC} = 5 \text{ V}, T_A = 25^\circ\text{C}$ .

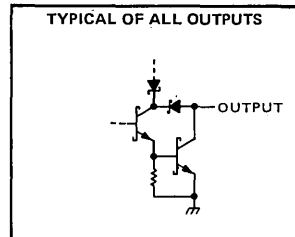
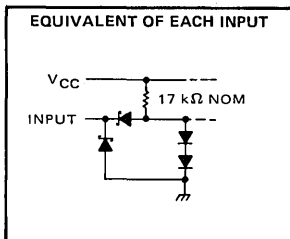
NOTE 2:  $I_{CC}$  is measured with all inputs grounded and outputs open.

### switching characteristics, $V_{CC} = 5 \text{ V}, T_A = 25^\circ\text{C}$

PARAMETER	TEST CONDITIONS	MIN	MAX	UNIT
$t_{PLH}$ Propagation delay time, low-to-high-level output	$C_L = 45 \text{ pF}, R_L = 665 \Omega,$ See Note 4			50 ns
$t_{PHL}$ Propagation delay time, high-to-low-level output				50 ns

NOTE 4: Load circuit and waveforms are shown on page 3-11.

### schematic of inputs and outputs



TTL  
MSI

# TYPES SN54147, SN54148, SN54LS147, SN54LS148, SN74147, SN74148 (TIM9907), SN74LS147, SN74LS148

BULLETIN NO. DL-S 7711727, OCTOBER 1976—REVISED AUGUST 1977

## '147, 'LS147

- Encodes 10-Line Decimal to 4-Line BCD
- Applications Include:  
Keyboard Encoding  
Range Selection

## '148, 'LS148

- Encodes 8 Data Lines to 3-Line Binary (Octal)
- Applications Include:  
N-Bit Encoding  
Code Converters and Generators

TYPE	TYPICAL DATA DELAY	TYPICAL POWER DISSIPATION
'147	10 ns	225 mW
'148	10 ns	190 mW
'LS147	15 ns	60 mW
'LS148	15 ns	60 mW

### description

These TTL encoders feature priority decoding of the inputs to ensure that only the highest-order data line is encoded. The '147 and 'LS147 encode nine data lines to four-line (8-4-2-1) BCD. The implied decimal zero condition requires no input condition as zero is encoded when all nine data lines are at a high logic level. The '148 and 'LS148 encode eight data lines to three-line (4-2-1) binary (octal). Cascading circuitry (enable input EI and enable output EO) has been provided to allow octal expansion without the need for external circuitry. For all types, data inputs and outputs are active at the low logic level. All inputs are buffered to represent one normalized Series 54/74 or 54LS/74LS load, respectively.

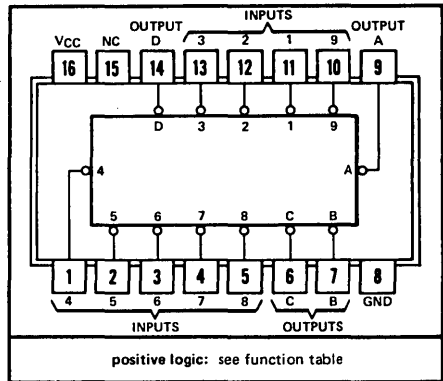
## '147, 'LS147

FUNCTION TABLE

INPUTS									OUTPUTS			
1	2	3	4	5	6	7	8	9	D	C	B	A
H	H	H	H	H	H	H	H	H	H	H	H	H
X	X	X	X	X	X	X	X	L	L	H	H	L
X	X	X	X	X	X	X	L	H	L	H	H	H
X	X	X	X	X	L	H	H	H	H	L	L	L
X	X	X	X	L	H	H	H	H	H	L	L	H
X	X	X	L	H	H	H	H	H	H	L	H	H
X	X	L	H	H	H	H	H	H	H	L	L	L
X	L	H	H	H	H	H	H	H	H	H	L	H
L	H	H	H	H	H	H	H	H	H	H	H	L

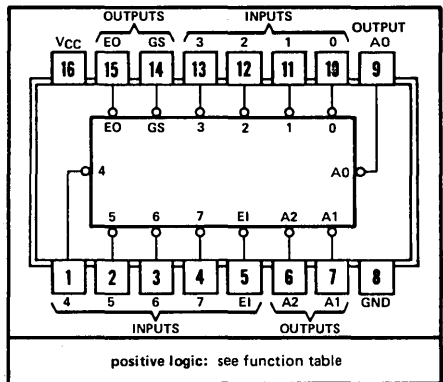
H = high logic level, L = low logic level, X = irrelevant

SN54147, SN54LS147 . . . J OR W PACKAGE  
SN74147, SN74LS147 . . . J OR N PACKAGE  
(TOP VIEW)



NC—No internal connection

SN54148, SN54LS148 . . . J OR W PACKAGE  
SN74148, SN74LS148 . . . J OR N PACKAGE  
(TOP VIEW)



## '148, 'LS148

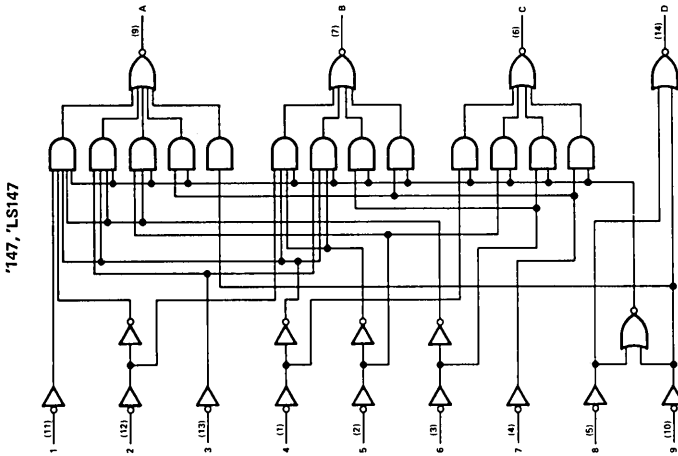
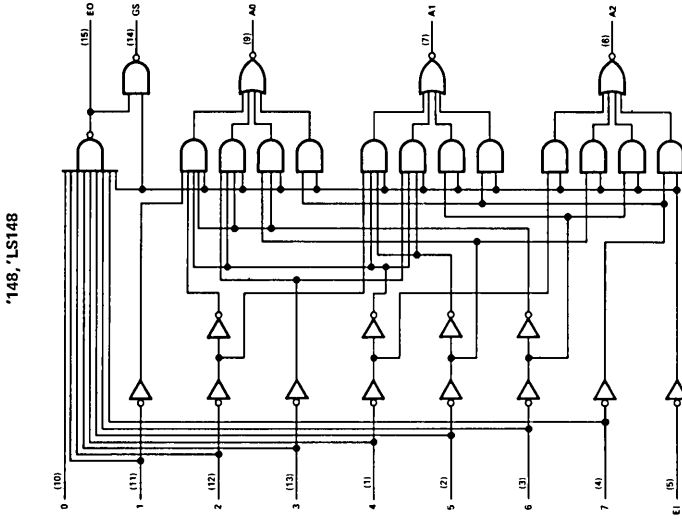
FUNCTION TABLE

INPUTS								OUTPUTS					
EI	0	1	2	3	4	5	6	7	A2	A1	A0	GS	EO
H	X	X	X	X	X	X	X	X	H	H	H	H	H
L	H	H	H	H	H	H	H	H	L	L	L	L	L
L	X	X	X	X	X	X	L	H	L	L	H	L	H
L	X	X	X	X	L	H	H	H	L	L	H	L	H
L	X	X	X	L	H	H	H	H	L	H	H	L	H
L	X	X	L	H	H	H	H	H	H	L	L	L	H
L	X	X	L	H	H	H	H	H	H	L	L	L	H
L	X	L	H	H	H	H	H	H	H	H	L	L	H
L	L	H	H	H	H	H	H	H	H	H	H	L	H



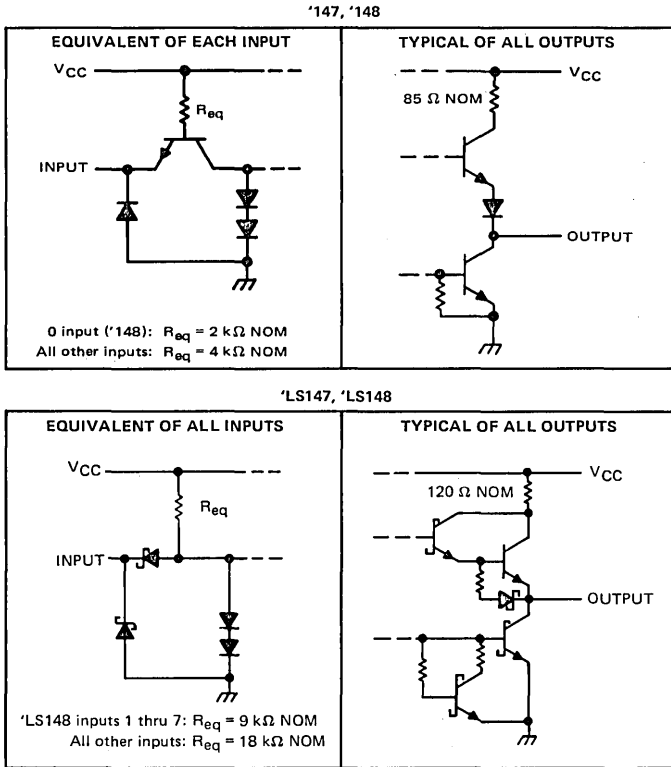
**TYPES SN54147, SN54148, SN54LS147, SN54LS148,  
SN74147, SN74148 (TIM9907), SN74LS147, SN74LS148**  
**10-LINE-TO-4-LINE AND 8-LINE-TO-3-LINE PRIORITY ENCODERS**

functional block diagrams



# TYPES SN54147, SN54148, SN54LS147, SN54LS148, SN74147, SN74148 (TIM9907) SN74LS147, SN74LS148 10-LINE-TO-4-LINE AND 8-LINE-TO-3-LINE PRIORITY ENCODERS

## schematics of inputs and outputs



### absolute maximum ratings over operating free-air temperature range (unless otherwise noted)

Supply voltage, $V_{CC}$ (see Note 1)	7 V
Input voltage: '147, '148	5.5 V
'LS147, 'LS148	7 V
Intermitter voltage: '148 only (see Note 2)	5.5 V
Operating free-air temperature range: SN54', SN54LS Circuits	-55°C to 125°C
SN74', SN74LS Circuits	0°C to 70°C
Storage temperature range	-65°C to 150°C

- NOTES: 1. Voltage values, except intermitter voltage, are with respect to network ground terminal.  
 2. This is the voltage between two emitters of a multiple-emitter transistor. For '148 circuits, this rating applies between any two of the eight data lines, 0 through 7.

### recommended operating conditions

	SN54'			SN74'			SN54LS'			SN74LS'			UNIT
	MIN	NOM	MAX	MIN	NOM	MAX	MIN	NOM	MAX	MIN	NOM	MAX	
Supply voltage, $V_{CC}$	4.5	5	5.5	4.75	5	5.25	4.5	5	5.5	4.75	5	5.25	V
High-level output current, $I_{OH}$			-800			-800			-400			-400	$\mu\text{A}$
Low-level output current, $I_{OL}$			16			16			4			8	mA
Operating free-air temperature, $T_A$	-55		125	0		70	-55		125	0		70	°C

# TYPES SN54147, SN54148, SN74147, SN74148 (TIM9907), 10-LINE-TO-4-LINE AND 8-LINE-TO-3-LINE PRIORITY ENCODERS

electrical characteristics over recommended operating free-air temperature range (unless otherwise noted)

PARAMETER	TEST CONDITIONS†	'147		'148		UNIT
		MIN	TYP‡ MAX	MIN	TYP‡ MAX	
V <sub>IH</sub> High-level input voltage		2		2		V
V <sub>IL</sub> Low-level input voltage			0.8		0.8	V
V <sub>IK</sub> Input clamp voltage	V <sub>CC</sub> = MIN, I <sub>I</sub> = -12 mA		-1.5		-1.5	V
V <sub>OH</sub> High-level output voltage	V <sub>CC</sub> = MIN, V <sub>IH</sub> = 2 V, V <sub>IL</sub> = 0.8 V, I <sub>OH</sub> = -800 µA	2.4	3.3	2.4	3.3	V
V <sub>OL</sub> Low-level output voltage	V <sub>CC</sub> = MIN, V <sub>IH</sub> = 2 V, V <sub>IL</sub> = 0.8 V, I <sub>OL</sub> = 16 mA		0.2 0.4		0.2 0.4	V
I <sub>I</sub> Input current at maximum input voltage	V <sub>CC</sub> = MAX, V <sub>I</sub> = 5.5 V		1		1	mA
I <sub>IH</sub> High-level input current	0 input				40	µA
	Any input except 0		40		80	
I <sub>IL</sub> Low-level input current	0 input				-1.6	mA
	Any input except 0		-1.6		-3.2	
I <sub>OS</sub> Short-circuit output current§	V <sub>CC</sub> = MAX	-35	-85	-35	-85	mA
I <sub>CC</sub> Supply current	V <sub>CC</sub> = MAX, Condition 1		50 70		40 60	mA
	See Note 3, Condition 2		42 62		35 55	

NOTE 3: For '147, I<sub>CC</sub> (condition 1) is measured with input 7 grounded, other inputs and outputs open; I<sub>CC</sub> (condition 2) is measured with all inputs and outputs open. For '148, I<sub>CC</sub> (condition 1) is measured with inputs 7 and EI grounded, other inputs and outputs open; I<sub>CC</sub> (condition 2) is measured with all inputs and outputs open.

† For conditions shown as MIN or MAX, use the appropriate value specified under recommended operating conditions.

‡ All typical values are at V<sub>CC</sub> = 5 V, T<sub>A</sub> = 25°C.

§ Not more than one output should be shorted at a time.

## SN54147, SN74147 switching characteristics, V<sub>CC</sub> = 5 V, T<sub>A</sub> = 25°C

PARAMETER¶	FROM (INPUT)	TO (OUTPUT)	WAVEFORM	TEST CONDITIONS	MIN	TYP	MAX	UNIT
t <sub>PLH</sub>	Any	Any	In-phase output	C <sub>L</sub> = 15 pF, R <sub>L</sub> = 400 Ω, See Note 4		9	14	ns
t <sub>PHL</sub>						7	11	
t <sub>PLH</sub>	Any	Any	Out-of-phase output			13	19	ns
t <sub>PHL</sub>						12	19	

## SN54148, SN74148 switching characteristics, V<sub>CC</sub> = 5 V, T<sub>A</sub> = 25°C

PARAMETER¶	FROM (INPUT)	TO (OUTPUT)	WAVEFORM	TEST CONDITIONS	MIN	TYP	MAX	UNIT
t <sub>PLH</sub>	1 thru 7	A0, A1, or A2	In-phase output	C <sub>L</sub> = 15 pF, R <sub>L</sub> = 400 Ω, See Note 4		10	15	ns
t <sub>PHL</sub>						9	14	
t <sub>PLH</sub>	1 thru 7	A0, A1, or A2	Out-of-phase output			13	19	ns
t <sub>PHL</sub>						12	19	
t <sub>PLH</sub>	0 thru 7	EO	Out-of-phase output			6	10	ns
t <sub>PHL</sub>						14	25	
t <sub>PLH</sub>	0 thru 7	GS	In-phase output			18	30	ns
t <sub>PHL</sub>						14	25	
t <sub>PLH</sub>	EI	A0, A1, or A2	In-phase output			10	15	ns
t <sub>PHL</sub>						10	15	
t <sub>PLH</sub>	EI	GS	In-phase output			8	12	ns
t <sub>PHL</sub>						10	15	
t <sub>PLH</sub>	EI	EO	In-phase output		10	15	ns	
t <sub>PHL</sub>					17	30		

¶ t<sub>PLH</sub> ≡ propagation delay time, low-to-high-level output

t<sub>PHL</sub> ≡ propagation delay time, high-to-low-level output

NOTE 4: Load circuits and waveforms are shown on page 3-10.

# TYPES SN54LS147, SN54LS148, SN74LS147, SN74LS148

## 10-LINE-TO-4-LINE AND 8-LINE-TO-3-LINE PRIORITY ENCODERS

REVISED DECEMBER 1980

electrical characteristics over recommended operating free-air temperature range (unless otherwise noted)

PARAMETER		TEST CONDITIONS†	SN54LS'		SN74LS'		UNIT
			MIN	TYP‡ MAX	MIN	TYP‡ MAX	
V <sub>IH</sub>	High-level input voltage		2		2		V
V <sub>IL</sub>	Low-level input voltage			0.7		0.8	V
V <sub>IK</sub>	Input clamp voltage	V <sub>CC</sub> = MIN, I <sub>I</sub> = -18 mA		-1.5		-1.5	V
V <sub>OH</sub>	High-level output voltage	V <sub>CC</sub> = MIN, V <sub>IH</sub> = 2 V, V <sub>IL</sub> = 0.8 V, I <sub>OH</sub> = -400 μA	2.5	3.4	2.7	3.4	V
V <sub>OL</sub>	Low-level output voltage	V <sub>CC</sub> = MIN, V <sub>IH</sub> = 2 V, V <sub>IL</sub> = V <sub>ILmax</sub> , I <sub>OL</sub> = 4 mA	0.25 0.4		0.25 0.4		V
		I <sub>OL</sub> = 8 mA			0.35 0.5		
I <sub>I</sub>	Input current at maximum input voltage	V <sub>CC</sub> = MAX, V <sub>I</sub> = 7 V			0.2 0.2		mA
			'LS148 inputs 1 thru 7			0.1 0.1	
I <sub>IH</sub>	High-level input current	V <sub>CC</sub> = MAX, V <sub>I</sub> = 2.7 V			40 40		μA
			'LS148 inputs 1 thru 7			20 20	
I <sub>IL</sub>	Low-level input current	V <sub>CC</sub> = MAX, V <sub>I</sub> = 0.4 V			-0.8 -0.8		mA
			All other inputs			-0.4 -0.4	
I <sub>OS</sub>	Short-circuit output current §	V <sub>CC</sub> = MAX	-20	-100	-20	-100	mA
I <sub>CC</sub>	Supply current	V <sub>CC</sub> = MAX, Condition 1	12	20	12	20	mA
		See Note 5, Condition 2	10	17	10	17	mA

NOTE 5: For 'LS147, I<sub>CC</sub> (condition 1) is measured with input 7 grounded, other inputs and outputs open; I<sub>CC</sub> (condition 2) is measured with all inputs and outputs open. For 'LS148, I<sub>CC</sub> (condition 1) is measured with inputs 7 and EI grounded, other inputs and outputs open, I<sub>CC</sub> (condition 2) is measured with all inputs and outputs open.

† For conditions shown as MIN or MAX, use the appropriate value specified under recommended operating conditions.

‡ All typical values are at V<sub>CC</sub> = 5 V, T<sub>A</sub> = 25°C.

§ Not more than one output should be shorted at a time.

### SN54LS147, SN74LS147 switching characteristics, V<sub>CC</sub> = 5 V, T<sub>A</sub> = 25°C

PARAMETER¶	FROM (INPUT)	TO (OUTPUT)	WAVEFORM	TEST CONDITIONS	MIN	TYP	MAX	UNIT
t <sub>PLH</sub>	Any	Any	In-phase output	C <sub>L</sub> = 15 pF, R <sub>L</sub> = 2 kΩ, See Note 4	12	18	ns	
t <sub>PHL</sub>					12	18		
t <sub>PLH</sub>	Any	Any	Out-of-phase output		21	33	ns	
t <sub>PHL</sub>					15	23		

### SN54LS148, SN74LS148 switching characteristics, V<sub>CC</sub> = 5 V, T<sub>A</sub> = 25°C

PARAMETER¶	FROM (INPUT)	TO (OUTPUT)	WAVEFORM	TEST CONDITIONS	MIN	TYP	MAX	UNIT
t <sub>PLH</sub>	1 thru 7	A0, A1, or A2	In-phase output	C <sub>L</sub> = 15 pF, R <sub>L</sub> = 2 kΩ, See Note 6	14	18	ns	
t <sub>PHL</sub>					15	25		
t <sub>PLH</sub>	1 thru 7	A0, A1, or A2	Out-of-phase output		20	36	ns	
t <sub>PHL</sub>					16	29		
t <sub>PLH</sub>	0 thru 7	EO	Out-of-phase output		7	18	ns	
t <sub>PHL</sub>					25	40		
t <sub>PLH</sub>	0 thru 7	GS	In-phase output		35	55	ns	
t <sub>PHL</sub>					9	21		
t <sub>PLH</sub>	EI	A0, A1, or A2	In-phase output		16	25	ns	
t <sub>PHL</sub>					12	25		
t <sub>PLH</sub>	EI	GS	In-phase output		12	17	ns	
t <sub>PHL</sub>					14	36		
t <sub>PLH</sub>	EI	EO	In-phase output	12	21	ns		
t <sub>PHL</sub>				23	35			

¶ t<sub>PLH</sub> ≡ propagation delay time, low to high level output

t<sub>PHL</sub> ≡ propagation delay time, high to low level output

NOTE 6: Load circuits and waveforms are shown on page 3-11.

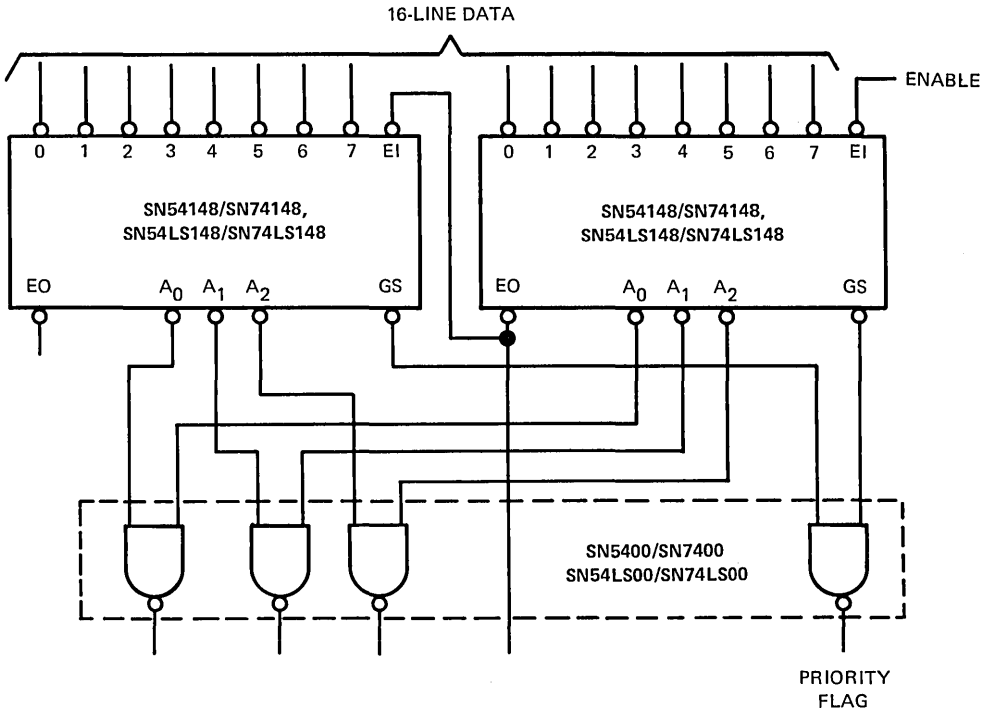
**TEXAS INSTRUMENTS**  
INCORPORATED

POST OFFICE BOX 225012 • DALLAS, TEXAS 75265

7-155

**TYPES SN54147, SN54148 (TIM9907), SN54LS147, SN54LS148,  
SN74147, SN74148, SN74LS147, SN74LS148  
10-LINE-TO-4-LINE AND 8-LINE-TO-3-LINE PRIORITY ENCODERS.**

**TYPICAL APPLICATION DATA**



Full 4-bit binary 16-line-to-4-line encoding can be implemented as shown above. The enable input must be low to enable the function. Decoding with 2-input NAND gates produces true (active-high) data for the 4-line binary outputs. If active-low data is required, the SN5408/SN7408 or SN54LS08/SN74LS08 AND gate may be used, respectively.

7

# TYPES SN54150, SN54151A, SN54152A, SN54LS151, SN54LS152, SN54S151, SN74150, SN74151A, SN74LS151, SN74S151 DATA SELECTORS/MULTIPLEXERS

BULLETIN NO. DL-S 7611819, DECEMBER 1972—REVISED OCTOBER 1976

- '150 Selects One-of-Sixteen Data Sources
- Others Select One-of-Eight Data Sources
- Performs Parallel-to-Serial Conversion
- Permits Multiplexing from N Lines to One Line
- Also For Use as Boolean Function Generator
- Input-Clamping Diodes Simplify System Design
- Fully Compatible with Most TTL and DTL Circuits

TYPE	TYPICAL AVERAGE PROPAGATION DELAY TIME DATA INPUT TO W OUTPUT	TYPICAL DELAY TIME DATA INPUT TO W OUTPUT	TYPICAL POWER DISSIPATION
'150	11 ns		200 mW
'151A	8 ns		145 mW
'152A	8 ns		130 mW
'LS151	11 ns†		30 mW
'LS152	11 ns†		28 mW
'S151	4.5 ns		225 mW

†Tentative data

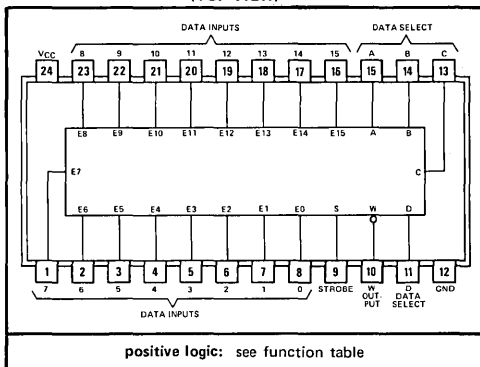
## description

These monolithic data selectors/multiplexers contain full on-chip binary decoding to select the desired data source. The '150 selects one-of-sixteen data sources; the '151A, '152A, 'LS151, 'LS152, and 'S151 select one-of-eight data sources. The '150, '151A, 'LS151, and 'S151 have a strobe input which must be at a low logic level to enable these devices. A high level at the strobe forces the W output high, and the Y output (as applicable) low.

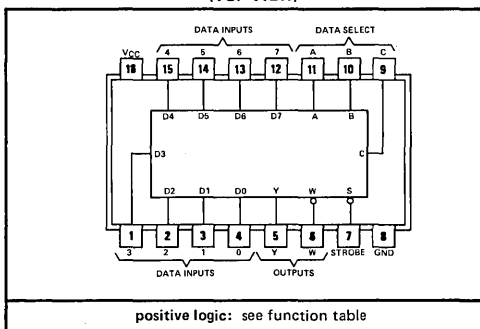
The '151A, 'LS151, and 'S151 feature complementary W and Y outputs whereas the '150, '152A, and 'LS152 have an inverted (W) output only.

The '151A and '152A incorporate address buffers which have symmetrical propagation delay times through the complementary paths. This reduces the possibility of transients occurring at the output(s) due to changes made at the select inputs, even when the '151A outputs are enabled (i.e., strobe low).

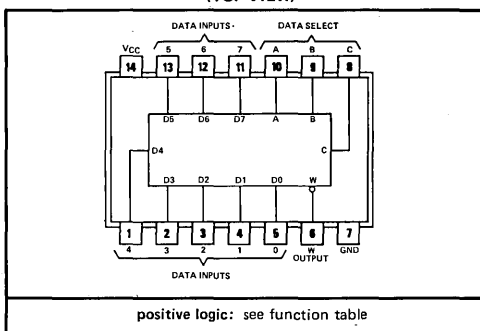
SN54150 . . . J OR W PACKAGE  
SN74150 . . . J OR N PACKAGE  
(TOP VIEW)



SN54151A, SN54LS151, SN54S151 . . . J OR W PACKAGE  
SN74151A SN74LS151, SN74S151 . . . J OR N PACKAGE  
(TOP VIEW)



SN54152A, SN54LS152 . . . W PACKAGE  
(TOP VIEW)



# TYPES SN54150, SN54151A, SN54152A, SN54LS151, SN54LS152, SN54S151, SN74150, SN74151A, SN74LS151, SN74S151

## DATA SELECTORS/MULTIPLEXERS

REVISED OCTOBER 1976

logic

'150  
FUNCTION TABLE

INPUTS				STROBE S	OUTPUT W
D	C	B	A		
X	X	X	X	H	H
L	L	L	L	L	$\overline{E0}$
L	L	L	H	L	$\overline{E1}$
L	L	H	L	L	$\overline{E2}$
L	L	H	H	L	$\overline{E3}$
L	H	L	L	L	$\overline{E4}$
L	H	L	H	L	$\overline{E5}$
L	H	H	L	L	$\overline{E6}$
L	H	H	H	L	$\overline{E7}$
H	L	L	L	L	$\overline{E8}$
H	L	L	H	L	$\overline{E9}$
H	L	H	L	L	$\overline{E10}$
H	L	H	H	L	$\overline{E11}$
H	H	L	L	L	$\overline{E12}$
H	H	L	H	L	$\overline{E13}$
H	H	H	L	L	$\overline{E14}$
H	H	H	H	L	$\overline{E15}$

'151A, 'LS151, 'S151  
FUNCTION TABLE

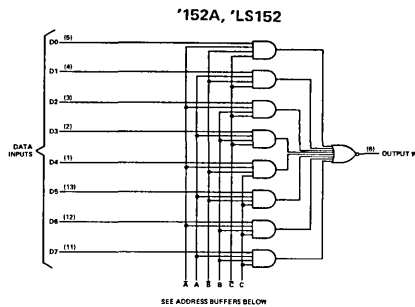
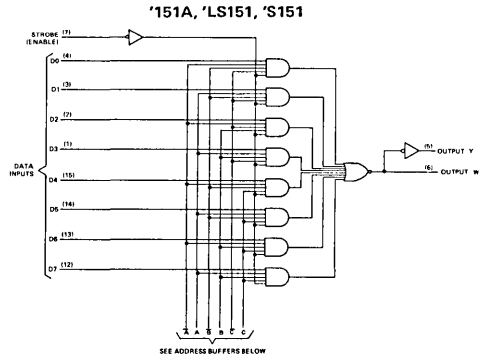
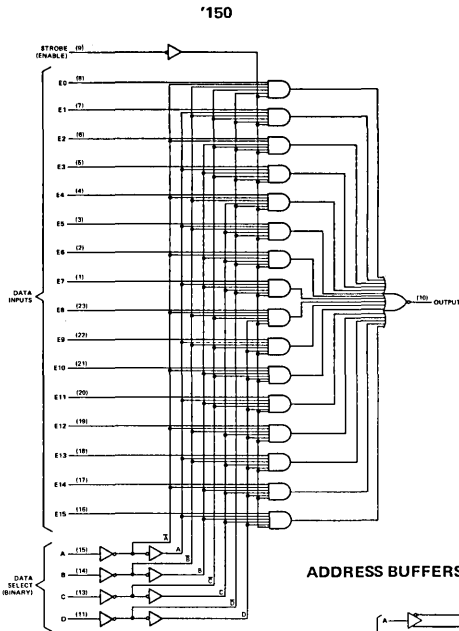
INPUTS				OUTPUTS	
C	B	A	S	Y	W
X	X	X	H	L	H
L	L	L	L	D0	$\overline{D0}$
L	L	H	L	D1	$\overline{D1}$
L	H	L	L	D2	$\overline{D2}$
L	H	H	L	D3	$\overline{D3}$
H	L	L	L	D4	$\overline{D4}$
H	L	H	L	D5	$\overline{D5}$
H	H	L	L	D6	$\overline{D6}$
H	H	H	L	D7	$\overline{D7}$

'152A, 'LS152  
FUNCTION TABLE

SELECT INPUTS			OUTPUT W
C	B	A	
L	L	L	$\overline{D0}$
L	L	H	$\overline{D1}$
L	H	L	$\overline{D2}$
L	H	H	$\overline{D3}$
H	L	L	$\overline{D4}$
H	L	H	$\overline{D5}$
H	H	L	$\overline{D6}$
H	H	H	$\overline{D7}$

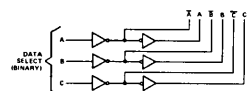
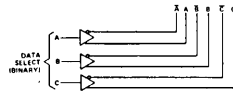
H = high level, L = low level, X = irrelevant  
 $\overline{E0}, \overline{E1} \dots \overline{E15}$  = the complement of the level of the respective E input  
 $\overline{D0}, \overline{D1} \dots \overline{D7}$  = the level of the D respective input

functional block diagrams



ADDRESS BUFFERS FOR '151A, '152A

ADDRESS BUFFERS FOR 'LS151, 'S151, 'LS152



# TYPES SN54150, SN54151A, SN54152A, SN74150, SN74151A

## DATA SELECTORS/MULTIPLEXERS

REVISED OCTOBER 1976

absolute maximum ratings over operating free-air temperature range (unless otherwise noted)

Supply voltage, $V_{CC}$ (see Note 1)	7 V
Input voltage (see Note 2)	5.5 V
Operating free-air temperature range: SN54' Circuits	-55°C to 125°C
SN74' Circuits	0°C to 70°C
Storage temperature range:	-65°C to 150°C

NOTES: 1. Voltage values are with respect to network ground terminal.  
 2. For the '150, input voltages must be zero or positive with respect to network ground terminal.

recommended operating conditions

	SN54'			SN74'			UNIT
	MIN	NOM	MAX	MIN	NOM	MAX	
Supply voltage, $V_{CC}$	4.5	5	5.5	4.75	5	5.25	V
High-level output current, $I_{OH}$			-800			-800	$\mu$ A
Low-level output current, $I_{OL}$			16			16	mA
Operating free-air temperature, $T_A$	-55		125	0		70	°C

electrical characteristics over recommended operating free-air temperature range (unless otherwise noted)

PARAMETER	TEST CONDITIONS†	'150			'151A, '152A			UNIT
		MIN	TYP‡	MAX	MIN	TYP‡	MAX	
$V_{IH}$ High-level input voltage		2			2			V
$V_{IL}$ Low-level input voltage				0.8			0.8	V
$V_{IK}$ Input clamp voltage	$V_{CC} = \text{MIN}, I_I = -8 \text{ mA}$						-1.5	V
$V_{OH}$ High-level output voltage	$V_{CC} = \text{MIN}, V_{IH} = 2 \text{ V}, V_{IL} = 0.8 \text{ V}, I_{OH} = -800 \mu\text{A}$	2.4	3.4		2.4	3.4		V
$V_{OL}$ Low-level output voltage	$V_{CC} = \text{MIN}, V_{IH} = 2 \text{ V}, V_{IL} = 0.8 \text{ V}, I_{OL} = 16 \text{ mA}$		0.2	0.4		0.2	0.4	V
$I_I$ Input current at maximum input voltage	$V_{CC} = \text{MAX}, V_I = 5.5 \text{ V}$			1			1	mA
$I_{IH}$ High-level input current	$V_{CC} = \text{MAX}, V_I = 2.4 \text{ V}$			40			40	$\mu$ A
$I_{IL}$ Low-level input current	$V_{CC} = \text{MAX}, V_I = 0.4 \text{ V}$			-1.6			-1.6	mA
$I_{OS}$ Short-circuit output current§	$V_{CC} = \text{MAX}$	SN54'	-20	-55	-20	-55		mA
		SN74'	-18	-55	-18	-55		
$I_{CC}$ Supply current	$V_{CC} = \text{MAX},$ See Note 3	'150	40	68				mA
		'151A			29	48		
		'152A			26	43		

†For conditions shown as MIN or MAX, use the appropriate value specified under recommended operating conditions for the applicable device type.

‡All typical values at  $V_{CC} = 5 \text{ V}, T_A = 25^\circ\text{C}$ .

§Not more than one output of the '151A should be shorted at a time.

NOTE 3:  $I_{CC}$  is measured with the strobe and data select inputs at 4.5 V, all other inputs and outputs open.





# TYPES SN54150, SN54151A, SN54152A, SN74150, SN74151A

## DATA SELECTORS/MULTIPLEXERS

REVISED DECEMBER 1980

switching characteristics,  $V_{CC} = 5\text{ V}$ ,  $T_A = 25^\circ\text{C}$

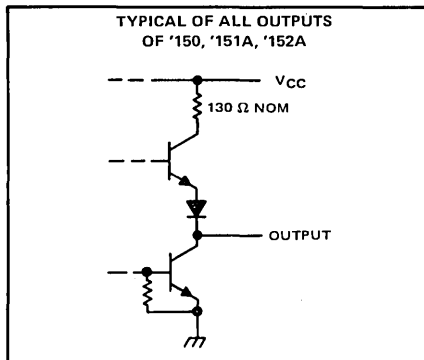
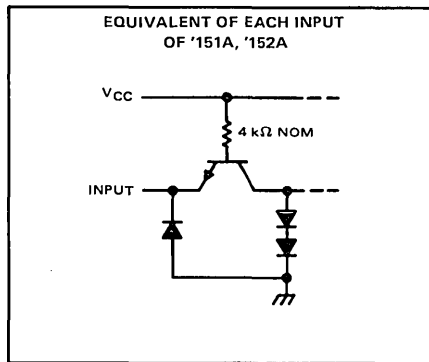
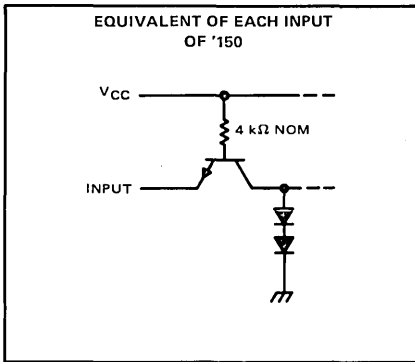
PARAMETER†	FROM (INPUT)	TO (OUTPUT)	TEST CONDITIONS	'150			'151A, '152A			UNIT
				MIN	TYP	MAX	MIN	TYP	MAX	
$t_{PLH}$	A, B, or C (4 levels)	Y	$C_L = 15\text{ pF}$ , $R_L = 400\ \Omega$ , See Note 4				25	38	ns	
$t_{PHL}$							25	38		
$t_{PLH}$	A, B, C, or D (3 levels)	W		23	35	17	26	ns		
$t_{PHL}$				22	33	19	30			
$t_{PLH}$	Strobe	Y				21	33	ns		
$t_{PHL}$						22	33			
$t_{PLH}$	Strobe	W		15.5	24	14	21	ns		
$t_{PHL}$				21	30	15	23			
$t_{PLH}$	D0 thru D7	Y				13	20	ns		
$t_{PHL}$						18	27			
$t_{PLH}$	E0 thru E15, or D0 thru D7	W	8.5	14	8	14	ns			
$t_{PHL}$			13	20	8	14				

†  $t_{PLH}$  ≡ propagation delay time, low-to-high-level output

$t_{PHL}$  ≡ propagation delay time, high-to-low-level output

NOTE 4: Load circuit and voltage waveforms are shown on page 3-10.

### schematics of inputs and outputs



## TYPES SN54LS151, SN54LS152, SN74LS151 DATA SELECTORS/MULTIPLEXERS

### absolute maximum ratings over operating free-air temperature range (unless otherwise noted)

Supply voltage, $V_{CC}$ (see Note 1)	7 V
Input voltage	7 V
Operating free-air temperature range: SN54LS' Circuits	-55°C to 125°C
SN74LS' Circuits	0°C to 70°C
Storage temperature range	-65°C to 150°C

NOTE 1: Voltage values are with respect to network ground terminal.

### recommended operating conditions

	SN54LS'			SN74LS'			UNIT
	MIN	NOM	MAX	MIN	NOM	MAX	
Supply voltage, $V_{CC}$	4.5	5	5.5	4.75	5	5.25	V
High-level output current, $I_{OH}$	-400			-400			$\mu$ A
Low-level output current, $I_{OL}$	4			8			mA
Operating free-air temperature, $T_A$	-55	125		0	70		°C

### electrical characteristics over recommended operating free-air temperature range (unless otherwise noted)

PARAMETER	TEST CONDITIONS†	SN54LS'			SN74LS'			UNIT	
		MIN	TYP‡	MAX	MIN	TYP‡	MAX		
$V_{IH}$ High-level input voltage		2			2			V	
$V_{IL}$ Low-level input voltage				0.7			0.8	V	
$V_{IK}$ Input clamp voltage	$V_{CC} = \text{MIN}, I_I = -18 \text{ mA}$			-1.5			-1.5	V	
$V_{OH}$ High-level output voltage	$V_{CC} = \text{MIN}, V_{IH} = 2 \text{ V},$ $V_{IL} = V_{IL \text{ max}}, I_{OH} = -400 \mu\text{A}$	2.5	3.4		2.7	3.4		V	
$V_{OL}$ Low-level output voltage	$V_{CC} = \text{MIN}, V_{IH} = 2 \text{ V},$ $V_{IL} = V_{IL \text{ max}}$			0.25	0.4		0.25	0.4	V
							0.35	0.5	
$I_I$ Input current at maximum input voltage	$V_{CC} = \text{MAX}, V_I = 7 \text{ V}$			0.1			0.1	mA	
$I_{IH}$ High-level input current	$V_{CC} = \text{MAX}, V_I = 2.7 \text{ V}$			20			20	$\mu$ A	
$I_{IL}$ Low-level input current	$V_{CC} = \text{MAX}, V_I = 0.4 \text{ V}$			-0.4			-0.4	mA	
$I_{OS}$ Short-circuit output current§	$V_{CC} = \text{MAX}$	-20		-100	-20		-100	mA	
$I_{CC}$ Supply current	$V_{CC} = \text{MAX},$ Outputs open, All inputs at 4.5 V			6.0	10		6.0	10	mA
				'LS151			'LS152		
				5.6	9				

† For conditions shown as MIN or MAX, use the appropriate value specified under recommended operating conditions for the applicable device type.

‡ All typical values are at  $V_{CC} = 5 \text{ V}, T_A = 25^\circ\text{C}$ .

§ Not more than one output should be shorted at a time and duration of short-circuit should not exceed one second.



# TYPES SN54LS151, SN54LS152, SN74LS151

## DATA SELECTORS/MULTIPLEXERS

switching characteristics,  $V_{CC} = 5\text{ V}$ ,  $T_A = 25^\circ\text{C}$

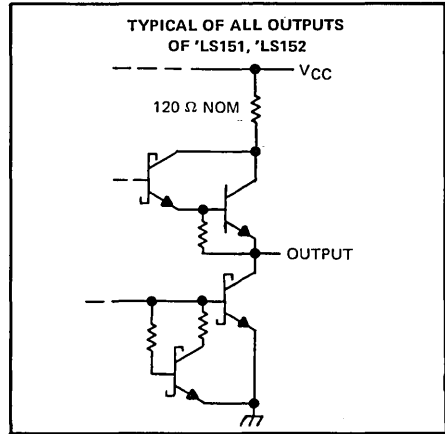
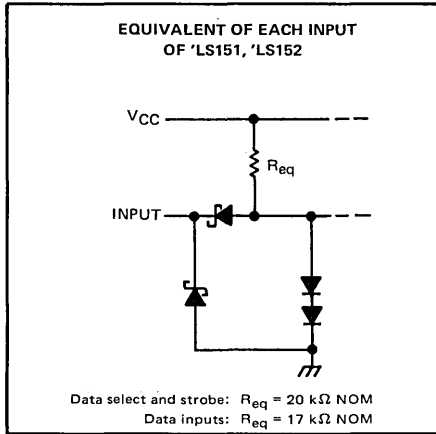
PARAMETER <sup>†</sup>	FROM (INPUT)	TO (OUTPUT)	TEST CONDITIONS	SN54LS <sup>1</sup> , SN74LS <sup>1</sup>			UNIT
				MIN	TYP	MAX	
$t_{PLH}$	A, B, or C	Y	$C_L = 15\text{ pF}$ , $R_L = 2\text{ k}\Omega$ , See Note 5	27	43	ns	
$t_{PHL}$	(4 levels)	Y		18	30		
$t_{PLH}$	A, B, or C	W		14	23	ns	
$t_{PHL}$	(3 levels)	W		20	32		
$t_{PLH}$	Strobe	Y		26	42	ns	
$t_{PHL}$	Strobe	Y		20	32		
$t_{PLH}$	Strobe	W		15	24	ns	
$t_{PHL}$	Strobe	W		18	30		
$t_{PLH}$	Any D	Y		20	32	ns	
$t_{PHL}$	Any D	Y		16	26		
$t_{PLH}$	Any D	W		13	21	ns	
$t_{PHL}$	Any D	W		12	20		

<sup>†</sup>  $t_{PLH}$   $\equiv$  Propagation delay time, low-to-high-level output

$t_{PHL}$   $\equiv$  Propagation delay time, high-to-low-level output

NOTE 5: See load circuits and waveforms on page 3-11.

### schematics of inputs and outputs



# TYPES SN54S151, SN74S151 DATA SELECTORS/MULTIPLEXERS

**absolute maximum ratings over operating free-air temperature range (unless otherwise noted)**

Supply voltage, $V_{CC}$ (see Note 1)	7 V
Input voltage	5.5 V
Operating free-air temperature range: SN54S151 Circuits	-55°C to 125°C
SN74S151 Circuits	0°C to 70°C
Storage temperature range	-65°C to 150°C

NOTE 1: Voltage values are with respect to network ground terminal.

**recommended operating conditions**

	SN54S151			SN74S151			UNIT
	MIN	NOM	MAX	MIN	NOM	MAX	
Supply voltage, $V_{CC}$	4.5	5	5.5	4.75	5	5.25	V
High-level output current, $I_{OH}$			-1			-1	mA
Low-level output current, $I_{OL}$			20			20	mA
Operating free-air temperature, $T_A$	-55		125	0		70	°C

**electrical characteristics over recommended operating free-air temperature range (unless otherwise noted)**

PARAMETER		TEST CONDITIONS†	MIN	TYP‡	MAX	UNIT
$V_{IH}$	High-level input voltage		2			V
$V_{IL}$	Low-level input voltage				0.8	V
$V_{IK}$	Input clamp voltage	$V_{CC} = \text{MIN}, I_I = -18 \text{ mA}$			-1.2	V
$V_{OH}$	High-level output voltage	$V_{CC} = \text{MIN}, V_{IH} = 2 \text{ V},$ $V_{IL} = 0.8 \text{ V}, I_{OH} = -1 \text{ mA}$	SN54S'	2.5	3.4	V
			SN74S'	2.7	3.4	
$V_{OL}$	Low-level output voltage	$V_{CC} = \text{MIN}, V_{IH} = 2 \text{ V},$ $V_{IL} = 0.8 \text{ V}, I_{OL} = 20 \text{ mA}$			0.5	V
$I_I$	Input current at maximum input voltage	$V_{CC} = \text{MAX}, V_I = 5.5 \text{ V}$			1	mA
$I_{IH}$	High-level input current	$V_{CC} = \text{MAX}, V_I = 2.7 \text{ V}$			50	µA
$I_{IL}$	Low-level input current	$V_{CC} = \text{MAX}, V_I = 0.5 \text{ V}$			-2	mA
$I_{OS}$	Short-circuit output current§	$V_{CC} = \text{MAX}$	-40		-100	mA
$I_{CC}$	Supply current	$V_{CC} = \text{MAX},$ All inputs at 4.5 V, All outputs open		45	70	mA

† For conditions shown as MIN or MAX, use the appropriate value specified under recommended operating conditions for the applicable device type.

‡ All typical values are at  $V_{CC} = 5 \text{ V}, T_A = 25^\circ\text{C}$ .

§ Not more than one output should be shorted at a time, and duration of the short-circuit should not exceed one second.

# TYPES SN54S151, SN74S151

## DATA SELECTORS/MULTIPLEXERS

switching characteristics,  $V_{CC} = 5\text{ V}$ ,  $T_A = 25^\circ\text{C}$

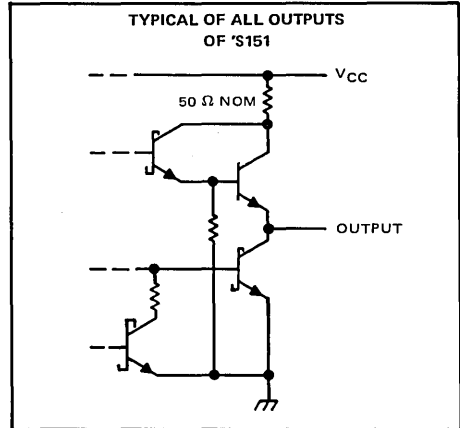
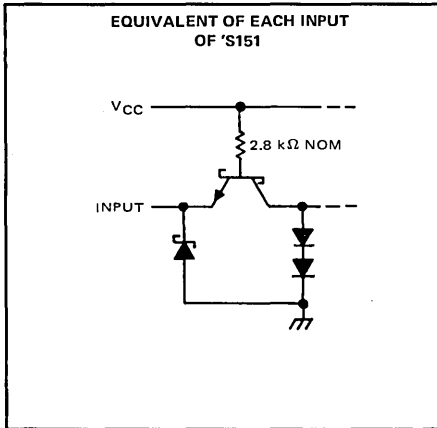
PARAMETER <sup>†</sup>	FROM (INPUT)	TO (OUTPUT)	TEST CONDITIONS	SN54S151, SN74S151			UNIT
				MIN	TYP	MAX	
$t_{PLH}$	A, B, or C	Y	$C_L = 15\text{ pF}$ , $R_L = 280\ \Omega$ , See Note 4		12	18	ns
$t_{PHL}$	(4 levels)				12	18	
$t_{PLH}$	A, B, or C	W			10	15	ns
$t_{PHL}$	(3 levels)				9	13.5	
$t_{PLH}$	Any D	Y			8	12	ns
$t_{PHL}$					8	12	
$t_{PLH}$	Any D	W			4.5	7	ns
$t_{PHL}$					4.5	7	
$t_{PLH}$	Strobe	Y			11	16.5	ns
$t_{PHL}$					12	18	
$t_{PLH}$	Strobe	W			9	13	ns
$t_{PHL}$					8.5	12	

<sup>†</sup> $t_{PLH} \equiv$  Propagation delay time, low-to-high-level output

$t_{PHL} \equiv$  Propagation delay time, high-to-low-level output

NOTE 4: See load circuits and waveforms on page 3-10.

### schematics of inputs and outputs



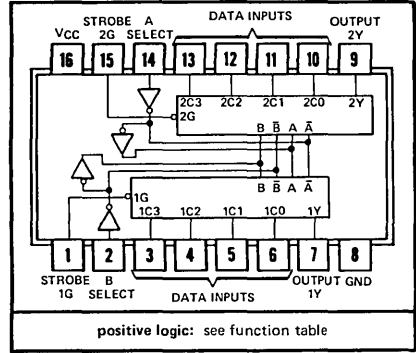
TTL  
MSI

# TYPES SN54153, SN54L153, SN54LS153, SN54S153, SN74153, SN74L153, SN74LS153, SN74S153 DUAL 4-LINE-TO-1-LINE DATA SELECTORS/MULTIPLEXERS

BULLETIN NO. DL-S 7611852, DECEMBER 1972 — REVISED OCTOBER 1976

SN54153, SN54LS153, SN54S153 . . . J OR W PACKAGE  
SN54L153 . . . J PACKAGE  
SN74153, SN74L153, SN74LS153, SN74S153 . . . J OR N PACKAGE  
(TOP VIEW)

- Permits Multiplexing from N lines to 1 line
- Performs Parallel-to-Serial Conversion
- Strobe (Enable) Line Provided for Cascading (N lines to n lines)
- High-Fan-Out, Low-Impedance, Totem-Pole Outputs
- Fully Compatible with most TTL and DTL Circuits



positive logic: see function table

TYPE	TYPICAL AVERAGE PROPAGATION DELAY TIMES			TYPICAL POWER DISSIPATION
	FROM DATA	FROM STROBE	FROM SELECT	
'153	14 ns	17 ns	22 ns	180 mW
'L153	27 ns	34 ns	44 ns	90 mW
'LS153	14 ns	19 ns	22 ns	31 mW
'S153	6 ns	9.5 ns	12 ns	225 mW

FUNCTION TABLE

SELECT INPUTS		DATA INPUTS				STROBE	OUTPUT
B	A	C0	C1	C2	C3	G	Y
X	X	X	X	X	X	H	L
L	L	X	X	X	X	L	L
L	L	H	X	X	X	L	H
L	H	X	X	X	X	L	L
L	H	X	H	X	X	L	H
H	L	X	X	L	X	L	L
H	L	X	X	H	X	L	H
H	H	X	X	X	L	L	L
H	H	X	X	X	H	L	H

Select inputs A and B are common to both sections.  
H = high level, L = low level, X = irrelevant

## description

Each of these monolithic, data selectors/multiplexers contains inverters and drivers to supply fully complementary, on-chip, binary decoding data selection to the AND-OR-invert gates. Separate strobe inputs are provided for each of the two four-line sections.

## absolute maximum ratings over operating free-air temperature range (unless otherwise noted)

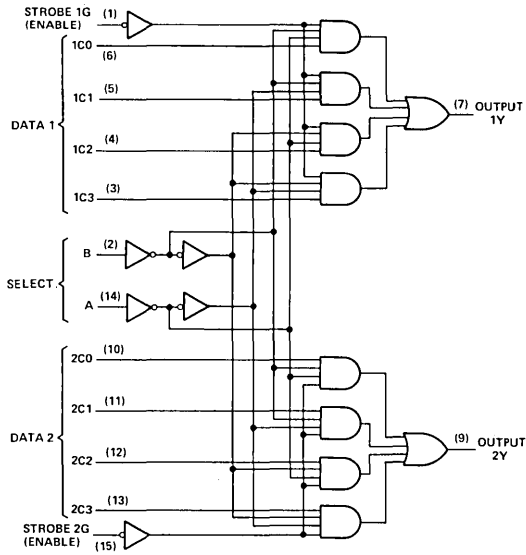
Supply voltage, $V_{CC}$ (see Note 1)	7 V
Input voltage: '153, 'L153, 'S153	5.5 V
'LS153	7 V
Operating free-air temperature range: SN54', SN54L', SN54LS', SN54S' Circuits	-55°C to 125°C
SN74', SN74L', SN74LS', SN74S' Circuits	0°C to 70°C
Storage temperature range	-65°C to 150°C

NOTE 1: Voltage values are with respect to network ground terminal.

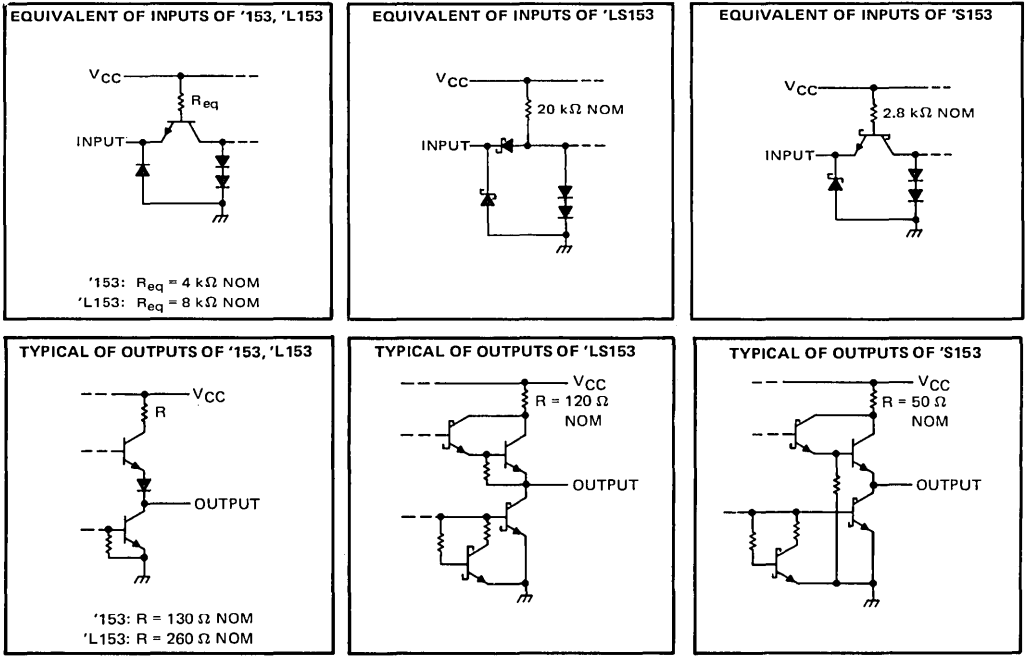
# TYPES SN54153, SN54L153, SN54LS153, SN54S153, SN74153, SN74L153, SN74LS153, SN74S153 DUAL 4-LINE-TO-1-LINE DATA SELECTORS/MULTIPLEXERS

REVISED DECEMBER 1980

## functional block diagram



## schematics of inputs and outputs



# TYPES SN54153, SN74153

## DUAL 4-LINE-TO-1-LINE DATA SELECTORS/MULTIPLEXERS

### recommended operating conditions

	SN54153			SN74153			UNIT
	MIN	NOM	MAX	MIN	NOM	MAX	
Supply voltage, $V_{CC}$	4.5	5	5.5	4.75	5	5.25	V
High-level output current, $I_{OH}$			-800			-800	$\mu$ A
Low-level output current, $I_{OL}$			16			16	mA
Operating free-air temperature, $T_A$	-55		125	0		70	$^{\circ}$ C

### electrical characteristics over recommended operating free-air temperature range (unless otherwise noted)

PARAMETER	TEST CONDITIONS†	SN54153			SN74153			UNIT
		MIN	TYP‡	MAX	MIN	TYP‡	MAX	
$V_{IH}$ High-level input voltage		2			2			V
$V_{IL}$ Low-level input voltage				0.8			0.8	V
$V_{IK}$ Input clamp voltage	$V_{CC} = \text{MIN}, I_I = -12 \text{ mA}$			-1.5			-1.5	V
$V_{OH}$ High-level output voltage	$V_{CC} = \text{MIN}, V_{IH} = 2 \text{ V}, V_{IL} = 0.8 \text{ V}, I_{OH} = -800 \mu\text{A}$	2.4	3.4		2.4	3.4		V
$V_{OL}$ Low-level output voltage	$V_{CC} = \text{MIN}, V_{IH} = 2 \text{ V}, V_{IL} = 0.8 \text{ V}, I_{OL} = 16 \text{ mA}$		0.2	0.4		0.2	0.4	V
$I_I$ Input current at maximum input voltage	$V_{CC} = \text{MAX}, V_I = 5.5 \text{ V}$			1			1	mA
$I_{IH}$ High-level input current	$V_{CC} = \text{MAX}, V_I = 2.4 \text{ V}$			40			40	$\mu$ A
$I_{IL}$ Low-level input current	$V_{CC} = \text{MAX}, V_I = 0.4 \text{ V}$			-1.6			-1.6	mA
$I_{OS}$ Short-circuit output current §	$V_{CC} = \text{MAX}$	-20		-55	-18		-57	mA
$I_{CCL}$ Supply current, output low	$V_{CC} = \text{MAX}$ , See Note 2		36	52		36	60	mA

† For conditions shown as MIN or MAX, use the appropriate value specified under recommended operating conditions.

‡ All typical values are at  $V_{CC} = 5 \text{ V}, T_A = 25^{\circ}\text{C}$ .

§ Not more than one output should be shorted at a time.

NOTE 2:  $I_{CCL}$  is measured with the outputs open and all inputs grounded.

### switching characteristics, $V_{CC} = 5 \text{ V}, T_A = 25^{\circ}\text{C}$

PARAMETER¶	FROM (INPUT)	TO (OUTPUT)	TEST CONDITIONS	MIN	TYP	MAX	UNIT
$t_{PLH}$	Data	Y	$C_L = 30 \text{ pF}, R_L = 400 \Omega,$ See Note 3		12	18	ns
$t_{PHL}$	Data	Y			15	23	ns
$t_{PLH}$	Select	Y			22	34	ns
$t_{PHL}$	Select	Y			22	34	ns
$t_{PLH}$	Strobe	Y			19	30	ns
$t_{PHL}$	Strobe	Y			15	23	ns

¶  $t_{PLH}$   $\equiv$  propagation delay time, low-to-high-level output

$t_{PHL}$   $\equiv$  propagation delay time, high-to-low-level output

NOTE 3: Load circuit and voltage waveforms are shown on page 3-10.

7



# TYPES SN54L153, SN74L153

## DUAL 4-LINE-TO-1-LINE DATA SELECTORS/MULTIPLEXERS

### recommended operating conditions

	SN54L153			SN74L153			UNIT
	MIN	NOM	MAX	MIN	NOM	MAX	
Supply voltage, $V_{CC}$	4.5	5	5.5	4.75	5	5.25	V
High-level output current, $I_{OH}$	-400			-400			$\mu$ A
Low-level output current, $I_{OL}$	8			8			mA
Operating free-air temperature, $T_A$	-55	125		0	70		$^{\circ}$ C

### electrical characteristics over recommended operating free-air temperature range (unless otherwise noted)

PARAMETER	TEST CONDITIONS <sup>†</sup>	SN54L153			SN74L153			UNIT
		MIN	TYP <sup>‡</sup>	MAX	MIN	TYP <sup>‡</sup>	MAX	
$V_{IH}$ High-level input voltage		2			2			V
$V_{IL}$ Low-level input voltage		0.8			0.8			V
$V_{IK}$ Input clamp voltage	$V_{CC} = \text{MIN}, I_I = -12 \text{ mA}$	-1.5			-1.5			V
$V_{OH}$ High-level output voltage	$V_{CC} = \text{MIN}, V_{IH} = 2 \text{ V}, V_{IL} = 0.8 \text{ V}, I_{OH} = -400 \mu\text{A}$	2.4	3.4		2.4	3.4		V
$V_{OL}$ Low-level output voltage	$V_{CC} = \text{MIN}, V_{IH} = 2 \text{ V}, V_{IL} = 0.8 \text{ V}, I_{OL} = 8 \text{ mA}$	0.2		0.4	0.2		0.4	V
$I_I$ Input current at maximum input voltage	$V_{CC} = \text{MAX}, V_I = 5.5 \text{ V}$	1			1			mA
$I_{IH}$ High-level input current	$V_{CC} = \text{MAX}, V_I = 2.4 \text{ V}$	20			20			$\mu$ A
$I_{IL}$ Low-level input current	$V_{CC} = \text{MAX}, V_I = 0.4 \text{ V}$	-0.8			-0.8			mA
$I_{OS}$ Short-circuit output current <sup>§</sup>	$V_{CC} = \text{MAX}$	-10	-28		-9	-30		mA
$I_{CCL}$ Supply current, output low	$V_{CC} = \text{MAX},$ See Note 2	18		26	18		30	mA

<sup>†</sup>For conditions shown as MIN or MAX, use the appropriate value specified under recommended operating conditions.

<sup>‡</sup>All typical values are at  $V_{CC} = 5 \text{ V}, T_A = 25^{\circ}\text{C}$ .

<sup>§</sup>Not more than one output should be shorted at a time.

NOTE 2:  $I_{CCL}$  is measured with the outputs open and all inputs grounded.

### switching characteristics, $V_{CC} = 5 \text{ V}, T_A = 25^{\circ}\text{C}$

PARAMETER <sup>¶</sup>	FROM INPUT	TO OUTPUT	TEST CONDITIONS	MIN	TYP	MAX	UNIT
$t_{PLH}$	Data	Y	$C_L = 30 \text{ pF}, R_L = 400 \Omega,$ See Note 3	24	36	ns	
$t_{PHL}$	Data	Y		30	46	ns	
$t_{PLH}$	Select	Y		44	68	ns	
$t_{PHL}$	Select	Y		44	68	ns	
$t_{PLH}$	Strobe	Y		38	60	ns	
$t_{PHL}$	Strobe	Y		30	46	ns	

<sup>¶</sup> $t_{PLH} \equiv$  propagation delay time, low-to-high-level output

$t_{PHL} \equiv$  propagation delay time, high-to-low-level output

NOTE 3: Load circuit and voltage waveforms are shown on page 3-10.

# TYPES SN54LS153, SN74LS153

## DUAL 4-LINE-TO-1-LINE DATA SELECTORS/MULTIPLEXERS

REVISED OCTOBER 1976

### recommended operating conditions

	SN54LS153			SN74LS153			UNIT
	MIN	NOM	MAX	MIN	NOM	MAX	
Supply voltage, $V_{CC}$	4.5	5	5.5	4.75	5	5.25	V
High-level output current, $I_{OH}$	-400			-400			$\mu$ A
Low-level output current, $I_{OL}$	4			8			mA
Operating free-air temperature, $T_A$	-55		125	0	70		$^{\circ}$ C

### electrical characteristics over recommended operating free-air temperature range (unless otherwise noted)

PARAMETER	TEST CONDITIONS†	SN54LS153			SN74LS153			UNIT
		MIN	TYP‡	MAX	MIN	TYP‡	MAX	
$V_{IH}$ High-level input voltage		2			2			V
$V_{IL}$ Low-level input voltage		0.7			0.8			V
$V_{IK}$ Input clamp voltage	$V_{CC} = \text{MIN}, I_I = -18 \text{ mA}$	-1.5			-1.5			V
$V_{OH}$ High-level output voltage	$V_{CC} = \text{MIN}, V_{IH} = 2 \text{ V},$ $V_{IL} = V_{IL \text{ max}}, I_{OH} = -400 \mu\text{A}$	2.5	3.4		2.7	3.4		V
$V_{OL}$ Low-level output voltage	$V_{CC} = \text{MIN}, V_{IH} = 2 \text{ V},$ $V_{IL} = V_{IL \text{ max}}$	0.25	0.4		0.25	0.4		V
$I_I$ Input current at maximum input voltage	$V_{CC} = \text{MAX}, V_I = 7 \text{ V}$	0.1			0.1			mA
$I_{IH}$ High-level input current	$V_{CC} = \text{MAX}, V_I = 2.7 \text{ V}$	20			20			$\mu$ A
$I_{IL}$ Low-level input current	$V_{CC} = \text{MAX}, V_I = 0.4 \text{ V}$	-0.4			-0.4			mA
$I_{OS}$ Short-circuit output current§	$V_{CC} = \text{MAX}$	-20	-100		-20	-100		mA
$I_{CCL}$ Supply current, output low	$V_{CC} = \text{MAX},$ See Note 2	6.2	10		6.2	10		mA

†For conditions shown as MIN or MAX, use the appropriate value specified under recommended operating conditions.

‡All typical values are at  $V_{CC} = 5 \text{ V}, T_A = 25^{\circ}\text{C}$ .

§Not more than one output should be shorted at a time and duration of short-circuit should not exceed one second.

NOTE 2:  $I_{CCL}$  is measured with the outputs open and all inputs grounded.

### switching characteristics, $V_{CC} = 5 \text{ V}, T_A = 25^{\circ}\text{C}$

PARAMETER¶	FROM (INPUT)	TO (OUTPUT)	TEST CONDITIONS	MIN	TYP	MAX	UNIT
$t_{PLH}$	Data	Y	$C_L = 15 \text{ pF},$ $R_L = 2 \text{ k}\Omega,$ See Note 4		10	15	ns
$t_{PHL}$	Data	Y			17	26	ns
$t_{PLH}$	Select	Y			19	29	ns
$t_{PHL}$	Select	Y			25	38	ns
$t_{PLH}$	Strobe	Y			16	24	ns
$t_{PHL}$	Strobe	Y			21	32	ns

¶  $t_{PLH}$   $\equiv$  propagation delay time, low-to-high-level output

$t_{PHL}$   $\equiv$  propagation delay time, high-to-low-level output

NOTE 4: Load circuits and voltage waveforms are shown on page 3-11.

7

# TYPES SN54S153, SN74S153

## DUAL 4-LINE-TO-1-LINE DATA SELECTORS/MULTIPLEXERS

recommended operating conditions

	SN54S153			SN74S153			UNIT
	MIN	NOM	MAX	MIN	NOM	MAX	
Supply voltage, $V_{CC}$	4.5	5	5.5	4.75	5	5.25	V
High-level output current, $I_{OH}$	-1			-1			mA
Low-level output current, $I_{OL}$	20			20			mA
Operating free-air temperature, $T_A$	-55			125			0 70 °C

electrical characteristics over recommended operating free-air temperature range (unless otherwise noted)

PARAMETER	TEST CONDITIONS†	MIN	TYP‡	MAX	UNIT
$V_{IH}$ High-level input voltage		2			V
$V_{IL}$ Low-level input voltage				0.8	V
$V_{IK}$ Input clamp voltage	$V_{CC} = \text{MIN}, I_I = -18 \text{ mA}$			-1.2	V
$V_{OH}$ High-level output voltage	$V_{CC} = \text{MIN}, V_{IH} = 2 \text{ V},$ $V_{IL} = 0.8 \text{ V}, I_{OH} = -1 \text{ mA}$	Series 54S 2.5	Series 74S 3.4	3.4	V
$V_{OL}$ Low-level output voltage	$V_{CC} = \text{MIN}, V_{IH} = 2 \text{ V},$ $V_{IL} = 0.8 \text{ V}, I_{OL} = 20 \text{ mA}$			0.5	V
$I_I$ Input current at maximum input voltage	$V_{CC} = \text{MAX}, V_I = 5.5 \text{ V}$			1	mA
$I_{IH}$ High-level input current	$V_{CC} = \text{MAX}, V_I = 2.7 \text{ V}$			50	$\mu\text{A}$
$I_{IL}$ Low-level input current	$V_{CC} = \text{MAX}, V_I = 0.5 \text{ V}$			-2	mA
$I_{OS}$ Short-circuit output current§	$V_{CC} = \text{MAX}$	-40		-100	mA
$I_{CCL}$ Supply current, low-level output	$V_{CC} = \text{MAX},$ See Note 2	45		70	mA

† For conditions shown as MIN or MAX, use the appropriate value specified under recommended operating conditions.

‡ All typical values are at  $V_{CC} = 5 \text{ V}, T_A = 25^\circ\text{C}$ .

§ Not more than one output should be shorted at a time and duration of short-circuit should not exceed one second.

NOTE 2:  $I_{CCL}$  is measured with the outputs open and all inputs grounded.

switching characteristics,  $V_{CC} = 5 \text{ V}, T_A = 25^\circ\text{C}$

PARAMETER†	FROM (INPUT)	TO (OUTPUT)	TEST CONDITIONS	MIN	TYP	MAX	UNIT
$t_{PLH}$	Data	Y	$C_L = 15 \text{ pF}, R_L = 280 \Omega,$ See Note 3		6	9	ns
$t_{PHL}$	Data	Y			6	9	ns
$t_{PLH}$	Select	Y			11.5	18	ns
$t_{PHL}$	Select	Y			12	18	ns
$t_{PLH}$	Strobe	Y			10	15	ns
$t_{PHL}$	Strobe	Y			9	13.5	ns

†  $t_{PLH}$  ≡ propagation delay time, low-to-high-level output

$t_{PHL}$  ≡ propagation delay time, high-to-low-level output

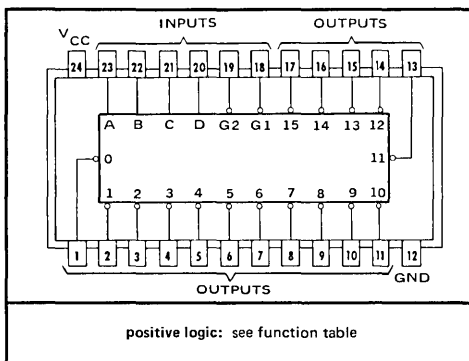
NOTE 3: Load circuit and voltage waveforms are shown on page 3-10.

# TYPES SN54154, SN54L154, SN74154, SN74L154 4-LINE-TO-16-LINE DECODERS/ DEMULTIPLEXERS

BULLETIN NO. DL-S 7211805, DECEMBER 1972

- '154 is Ideal for High-Performance Memory Decoding
- 'L154 is Designed for Power-Critical Applications
- Decodes 4 Binary-Coded Inputs into One of 16 Mutually Exclusive Outputs
- Performs the Demultiplexing Function by Distributing Data From One Input Line to Any One of 16 Outputs
- Input Clamping Diodes Simplify System Design
- High Fan-Out, Low-Impedance, Totem-Pole Outputs
- Fully Compatible with Most TTL, DTL, and MSI Circuits

SN54154 ... J OR W PACKAGE  
SN54L154 ... J PACKAGE  
SN74154, SN74L154 ... J OR N PACKAGE  
(TOP VIEW)



TYPE	TYPICAL AVERAGE PROPAGATION DELAY		TYPICAL POWER DISSIPATION
	3 LEVELS OF LOGIC	STROBE	
'154	23 ns	19 ns	170 mW
'L154	46 ns	38 ns	85 mW

## description

Each of these monolithic, 4-line-to-16-line decoders utilizes TTL circuitry to decode four binary-coded inputs into one of sixteen mutually exclusive outputs when both the strobe inputs, G1 and G2, are low. The demultiplexing function is performed by using the 4 input lines to address the output line, passing data from one of the strobe inputs with the other strobe input low. When either strobe input is high, all outputs are high. These demultiplexers are ideally suited for implementing high-performance memory decoders. For ultra-high-speed systems, SN54S138/SN74S138 and SN54S139/SN74S139 are recommended.

These circuits are fully compatible for use with most other TTL and DTL circuits. All inputs are buffered and input clamping diodes are provided to minimize transmission-line effects and thereby simplify system design.

Series 54 and 54L devices are characterized for operation over the full military temperature range of  $-55^{\circ}\text{C}$  to  $125^{\circ}\text{C}$ ; Series 74 and 74L devices are characterized for operation from  $0^{\circ}\text{C}$  to  $70^{\circ}\text{C}$ .

# TYPES SN54154, SN54L154, SN74154, SN74L154

## 4-LINE-TO-16-LINE DECODERS/DEMULTIPLEXERS

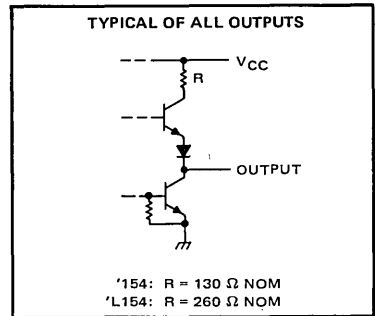
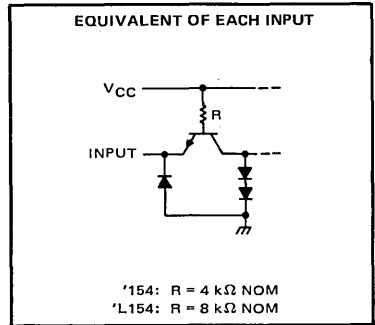
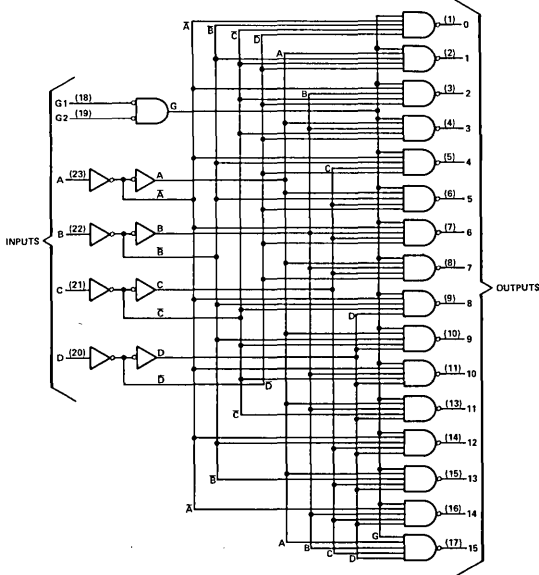
logic

FUNCTION TABLE

INPUTS					OUTPUTS																	
G1	G2	D	C	B	A	0	1	2	3	4	5	6	7	8	9	10	11	12	13	14	15	
L	L	L	L	L	L	L	H	H	H	H	H	H	H	H	H	H	H	H	H	H	H	H
L	L	L	L	L	H	H	L	H	H	H	H	H	H	H	H	H	H	H	H	H	H	H
L	L	L	L	H	L	H	H	L	H	H	H	H	H	H	H	H	H	H	H	H	H	H
L	L	L	L	H	H	H	H	L	H	H	H	H	H	H	H	H	H	H	H	H	H	H
L	L	L	H	L	L	H	H	H	H	L	H	H	H	H	H	H	H	H	H	H	H	H
L	L	L	H	L	H	H	H	H	H	L	H	H	H	H	H	H	H	H	H	H	H	H
L	L	L	H	H	L	H	H	H	H	H	L	H	H	H	H	H	H	H	H	H	H	H
L	L	L	H	H	H	H	H	H	H	H	H	L	H	H	H	H	H	H	H	H	H	H
L	L	H	L	L	L	H	H	H	H	H	H	H	L	H	H	H	H	H	H	H	H	H
L	L	H	L	L	H	H	H	H	H	H	H	H	L	H	H	H	H	H	H	H	H	H
L	L	H	L	H	L	H	H	H	H	H	H	H	H	L	H	H	H	H	H	H	H	H
L	L	H	L	H	H	H	H	H	H	H	H	H	H	H	L	H	H	H	H	H	H	H
L	L	H	H	L	L	H	H	H	H	H	H	H	H	H	H	L	H	H	H	H	H	H
L	L	H	H	L	H	H	H	H	H	H	H	H	H	H	H	H	L	H	H	H	H	H
L	L	H	H	H	L	H	H	H	H	H	H	H	H	H	H	H	H	L	H	H	H	H
L	L	H	H	H	H	H	H	H	H	H	H	H	H	H	H	H	H	H	L	H	H	H
L	H	X	X	X	X	H	H	H	H	H	H	H	H	H	H	H	H	H	H	H	H	H
H	L	X	X	X	X	H	H	H	H	H	H	H	H	H	H	H	H	H	H	H	H	H
H	H	X	X	X	X	H	H	H	H	H	H	H	H	H	H	H	H	H	H	H	H	H

H = high level, L = low level, X = irrelevant

functional block diagram and schematics of inputs and outputs



# TYPES SN54154, SN74154

## 4-LINE-TO-16-LINE DECODERS/ DEMULTIPLEXERS

absolute maximum ratings over operating free-air temperature range (unless otherwise noted)

Supply voltage, $V_{CC}$ (see Note 1)	7 V
Input voltage	5.5 V
Operating free-air temperature range: SN54154 Circuits	-55°C to 125°C
SN74154 Circuits	0°C to 70°C
Storage temperature range	-65°C to 150°C

NOTE 1: Voltage values are with respect to network ground terminal.

recommended operating conditions

	SN54154			SN74154			UNIT
	MIN	NOM	MAX	MIN	NOM	MAX	
Supply voltage, $V_{CC}$	4.5	5	5.5	4.75	5	5.25	V
High-level output current, $I_{OH}$			-800			-800	$\mu$ A
Low-level output current, $I_{OL}$			16			16	mA
Operating free-air temperature, $T_A$	-55		125	0		70	°C

electrical characteristics over recommended operating free-air temperature range (unless otherwise noted)

PARAMETER	TEST CONDITIONS†	SN54154			SN74154			UNIT
		MIN	TYP	MAX	MIN	TYP‡	MAX	
$V_{IH}$ High-level input voltage		2			2			V
$V_{IL}$ Low-level input voltage				0.8			0.8	V
$V_{IK}$ Input clamp voltage	$V_{CC} = \text{MIN}, I_I = -12 \text{ mA}$			-1.5			-1.5	V
$V_{OH}$ High-level output voltage	$V_{CC} = \text{MIN}, V_{IH} = 2 \text{ V}, V_{IL} = 0.8 \text{ V}, I_{OH} = -800 \mu\text{A}$	2.4	3.4		2.4	3.4		V
$V_{OL}$ Low-level output voltage	$V_{CC} = \text{MIN}, V_{IH} = 2 \text{ V}, V_{IL} = 0.8 \text{ V}, I_{OL} = 16 \text{ mA}$		0.2	0.4		0.2	0.4	V
$I_I$ Input current at maximum input voltage	$V_{CC} = \text{MAX}, V_I = 5.5 \text{ V}$			1			1	mA
$I_{IH}$ High-level input current	$V_{CC} = \text{MAX}, V_I = 2.4 \text{ V}$			40			40	$\mu$ A
$I_{IL}$ Low-level input current	$V_{CC} = \text{MAX}, V_I = 0.4 \text{ V}$			-1.6			-1.6	mA
$I_{OS}$ Short-circuit output current§	$V_{CC} = \text{MAX}$	-20		-55	-18		-57	mA
$I_{CC}$ Supply current	$V_{CC} = \text{MAX}, \text{ See Note 2}$		34	49		34	56	mA

† For conditions shown as MIN or MAX, use the appropriate value specified under recommended operating conditions for the applicable type.

‡ All typical values are at  $V_{CC} = 5 \text{ V}, T_A = 25^\circ\text{C}$ .

§ Not more than one output should be shorted at a time.

NOTE 2:  $I_{CC}$  is measured with all inputs grounded and all outputs open.

switching characteristics,  $V_{CC} = 5 \text{ V}, T_A = 25^\circ\text{C}$

PARAMETER	TEST CONDITIONS	MIN	TYP	MAX	UNIT
$t_{PLH}$ Propagation delay time, low-to-high-level output, from A, B, C, or D inputs through 3 levels of logic	$C_L = 15 \text{ pF}, R_L = 400 \Omega,$ See Note 3		24	36	ns
$t_{PHL}$ Propagation delay time, high-to-low-level output, from A, B, C, or D inputs through 3 levels of logic			22	33	ns
$t_{PLH}$ Propagation delay time, low-to-high-level output, from either strobe input			20	30	ns
$t_{PHL}$ Propagation delay time, high-to-low-level output, from either strobe input			18	27	ns

NOTE 3: Load circuit and voltage waveforms are shown on page 3-10.

# TYPES SN54L154, SN74L154

## 4-LINE-TO-16-LINE DECODERS/ DEMULTIPLEXERS

absolute maximum ratings over operating free-air temperature range (unless otherwise noted)

Supply voltage, $V_{CC}$ (see Note 1)	7 V
Input voltage	5.5 V
Operating free-air temperature range: SN54L154 Circuits	-55°C to 125°C
SN74L154 Circuits	0°C to 70°C
Storage temperature range	-65°C to 150°C

NOTE 1: Voltage values are with respect to network ground terminal.

recommended operating conditions

	SN54L154			SN74L154			UNIT
	MIN	NOM	MAX	MIN	NOM	MAX	
Supply voltage, $V_{CC}$	4.5	5	5.5	4.75	5	5.25	V
High-level output current, $I_{OH}$	-400			-400			$\mu$ A
Low-level output current, $I_{OL}$	8			8			mA
Operating free-air temperature, $T_A$	-55		125	0		70	°C

electrical characteristics over recommended operating free-air temperature range (unless otherwise noted)

PARAMETER	TEST CONDITIONS <sup>†</sup>	MIN	TYP <sup>‡</sup>	MAX	UNIT
$V_{IH}$ High-level input voltage		2			V
$V_{IL}$ Low-level input voltage				0.8	V
$V_{IK}$ Input clamp voltage	$V_{CC} = \text{MIN}, I_I = -12 \text{ mA}$			-1.5	V
$V_{OH}$ High-level output voltage	$V_{CC} = \text{MIN}, V_{IH} = 2 \text{ V}, V_{IL} = 0.8 \text{ V}, I_{OH} = -400 \mu\text{A}$	2.4	3.4		V
$V_{OL}$ Low-level output voltage	$V_{CC} = \text{MIN}, V_{IH} = 2 \text{ V}, V_{IL} = 0.8 \text{ V}, I_{OL} = 8 \text{ mA}$		0.2	0.4	V
$I_I$ Input current at maximum input voltage	$V_{CC} = \text{MAX}, V_I = 5.5 \text{ V}$			1	mA
$I_{IH}$ High-level input current	$V_{CC} = \text{MAX}, V_I = 2.4 \text{ V}$			20	$\mu$ A
$I_{IL}$ Low-level input current	$V_{CC} = \text{MAX}, V_I = 0.4 \text{ V}$			-0.8	mA
$I_{OS}$ Short-circuit output current <sup>§</sup>	$V_{CC} = \text{MAX}$	-9		-29	mA
$I_{CC}$ Supply current	$V_{CC} = \text{MAX},$		17	25	mA
	See Note 2	SN54L154	17	28	
					SN74L154

<sup>†</sup>For conditions shown as MIN or MAX, use the appropriate value specified under recommended operating conditions for the applicable type.

<sup>‡</sup>All typical values are at  $V_{CC} = 5 \text{ V}, T_A = 25^\circ\text{C}$ .

<sup>§</sup>Not more than one output should be shorted at a time.

NOTE 2:  $I_{CC}$  is measured with all inputs grounded and all outputs open.

switching characteristics,  $V_{CC} = 5 \text{ V}, T_A = 25^\circ\text{C}$

PARAMETER	TEST CONDITIONS	MIN	TYP	MAX	UNIT
$t_{PLH}$ Propagation delay time, low-to-high-level output, from A, B, C, or D inputs through 3 levels of logic	$C_L = 15 \text{ pF}, R_L = 800 \Omega,$ See Note 3		48	72	ns
$t_{PHL}$ Propagation delay time, high-to-low-level output, from A, B, C, or D inputs through 3 levels of logic			44	66	ns
$t_{PLH}$ Propagation delay time, low-to-high-level output, from either strobe input			40	60	ns
$t_{PHL}$ Propagation delay time, high-to-low-level output, from either strobe input			36	54	ns

NOTE 3: Load circuit and voltage waveforms are shown on page 3-10.

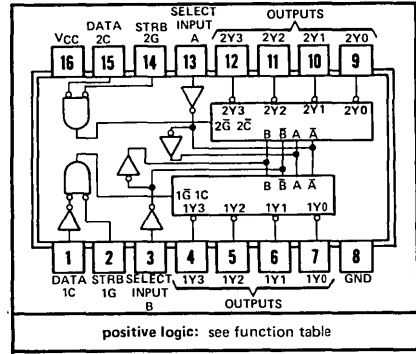
TTL  
MSI

# TYPES SN54155, SN54156, SN54LS155, SN54LS156, SN74155, SN74156, SN74LS155, SN74LS156 DUAL 2-LINE-TO-4-LINE DECODERS/DEMULTIPLEXERS

BULLETIN NO. DL-S 7711850, MARCH 1974—REVISED AUGUST 1977

- Applications:  
Dual 2-to-4-Line Decoder  
Dual 1-to-4-Line Demultiplexer  
3-to-8-Line Decoder  
1-to-8-Line Demultiplexer
- Individual Strobes Simplify Cascading for Decoding or Demultiplexing Larger Words
- Input Clamping Diodes Simplify System Design
- Choice of Outputs:  
Totem Pole ('155, 'LS155)  
Open-Collector ('156, 'LS156)

SN54155, SN54156, SN54LS155, SN54LS156 . . . J OR W PACKAGE  
SN74155, SN74156, SN74LS155, SN74LS156 . . . J OR N PACKAGE  
(TOP VIEW)



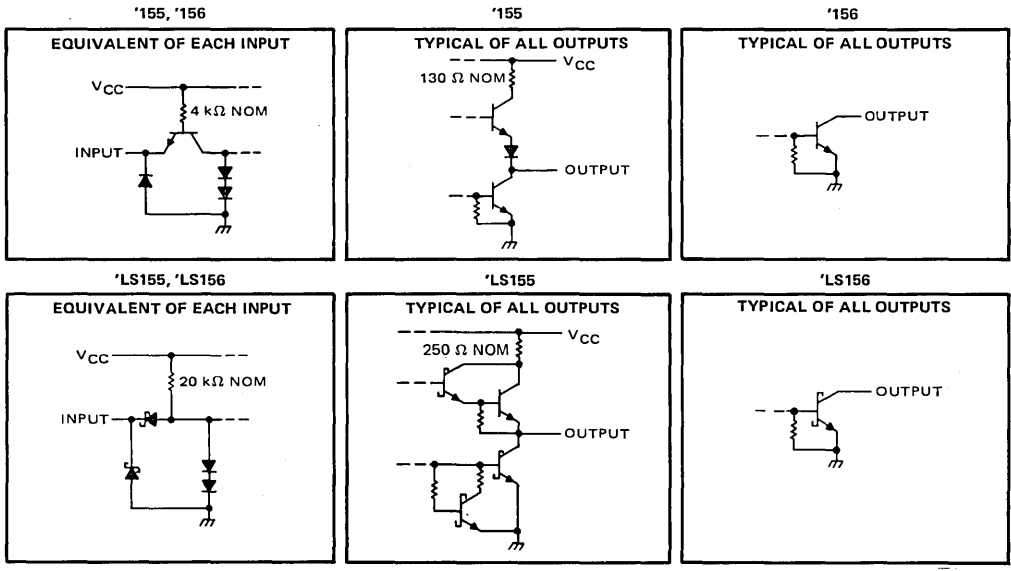
TYPES	TYPICAL AVERAGE PROPAGATION DELAY 3 GATE LEVELS	TYPICAL POWER DISSIPATION
'155, '156	21 ns	125 mW
'LS155	18 ns	31 mW
'LS156	32 ns	31 mW

### description

These monolithic transistor-transistor-logic (TTL) circuits feature dual 1-line-to-4-line demultiplexers with individual strobes and common binary-address inputs in a single 16-pin package. When both sections are enabled by the strobes, the common binary-address inputs sequentially select and route associated input data to the appropriate output of each section. The individual strobes permit activating or inhibiting each of the 4-bit sections as desired. Data applied to input 1C is inverted at its outputs and data applied at 2C is not inverted through its outputs. The inverter following the 1C data input permits use as a 3-to-8-line decoder or 1-to-8-line demultiplexer without external gating. Input clamping diodes are provided on all of these circuits to minimize transmission-line effects and simplify system design.

Series 54 and 54LS are characterized for operation over the full military temperature range of  $-55^{\circ}\text{C}$  to  $125^{\circ}\text{C}$ ; Series 74 and 74LS are characterized for operation from  $0^{\circ}\text{C}$  to  $70^{\circ}\text{C}$ .

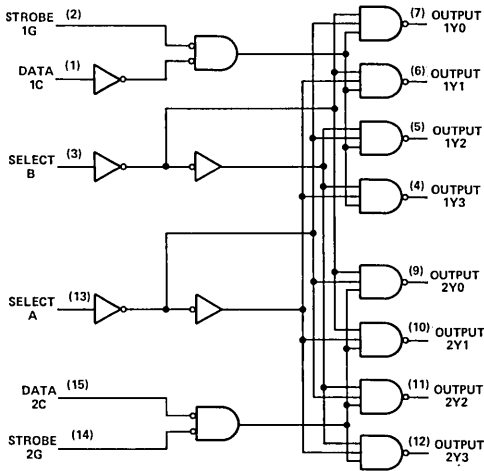
### schematics of inputs and outputs





# TYPES SN54155, SN54156, SN54LS155, SN54LS156, SN74155, SN74156, SN74LS155, SN74LS156 DUAL 2-LINE-TO-4-LINE DECODERS/DEMULTIPLEXERS

functional block diagram and logic



FUNCTION TABLES  
2-LINE-TO-4-LINE DECODER  
OR 1-LINE-TO-4-LINE DEMULTIPLEXER

INPUTS				OUTPUTS			
SELECT	STROBE	DATA		1Y0	1Y1	1Y2	1Y3
B	A	1G	1C				
X	X	H	X	H	H	H	H
L	L	L	H	L	H	H	H
L	H	L	H	H	L	H	H
H	L	L	H	H	H	L	H
H	H	L	H	H	H	H	L
X	X	X	L	H	H	H	H

INPUTS				OUTPUTS			
SELECT	STROBE	DATA		2Y0	2Y1	2Y2	2Y3
B	A	2G	2C				
X	X	H	X	H	H	H	H
L	L	L	L	L	H	H	H
L	H	L	L	H	L	H	H
H	L	L	L	H	H	L	H
H	H	L	L	H	H	H	L
X	X	X	H	H	H	H	H

FUNCTION TABLE  
3-LINE-TO-8-LINE DECODER  
OR 1-LINE-TO-8-LINE DEMULTIPLEXER

INPUTS				OUTPUTS							
SELECT	STROBE OR DATA			(0)	(1)	(2)	(3)	(4)	(5)	(6)	(7)
	C†	B	A								
X	X	X	H	H	H	H	H	H	H	H	H
L	L	L	L	L	H	H	H	H	H	H	H
L	L	H	L	H	L	H	H	H	H	H	H
L	H	L	L	H	H	L	H	H	H	H	H
L	H	H	L	H	H	H	L	H	H	H	H
H	L	L	L	H	H	H	H	L	H	H	H
H	L	H	L	H	H	H	H	H	L	H	H
H	H	L	L	H	H	H	H	H	H	L	H
H	H	H	L	H	H	H	H	H	H	H	L

†C = inputs 1C and 2C connected together

‡G = inputs 1G and 2G connected together

H = high level, L = low level, X = irrelevant

absolute maximum ratings over operating free-air temperature range (unless otherwise noted)

Supply voltage, V <sub>CC</sub> (see Note 1)	7 V
Input voltage: '155, '156	5.5 V
'LS155, 'LS156	7 V
Off-state output voltage: '156	5.5 V
'LS156	7 V
Operating free-air temperature range: SN54', SN54LS' Circuits	-55°C to 125°C
SN74', SN74LS' Circuits	0°C to 70°C
Storage temperature range	-65°C to 150°C

NOTE 1: Voltage values are with respect to network ground terminal.

# TYPES SN54155, SN74155

## DUAL 2-LINE-TO-4-LINE DECODERS/DEMULTIPLEXERS

REVISED AUGUST 1977

### recommended operating conditions

	SN54155			SN74155			UNIT
	MIN	NOM	MAX	MIN	NOM	MAX	
Supply voltage, $V_{CC}$	4.5	5	5.5	4.75	5	5.25	V
High-level output current, $I_{OH}$			-800			-800	$\mu$ A
Low-level output current, $I_{OL}$			16			16	mA
Operating free-air temperature, $T_A$	-55		125	0		70	$^{\circ}$ C

### electrical characteristics over recommended operating free-air temperature range (unless otherwise noted)

PARAMETER	TEST CONDITIONS†	SN54155 SN74155			UNIT
		MIN	TYP‡	MAX	
$V_{IH}$ High-level input voltage		2			V
$V_{IL}$ Low-level input voltage		0.8			V
$V_{IK}$ Input clamp voltage	$V_{CC} = \text{MIN}, I_I = -8 \text{ mA}$	-1.5			V
$V_{OH}$ High-level output voltage	$V_{CC} = \text{MIN}, V_{IH} = 2 \text{ V}, V_{IL} = 0.8 \text{ V}, I_{OH} = -800 \mu\text{A}$	2.4	3.4		V
$V_{OL}$ Low-level output voltage	$V_{CC} = \text{MIN}, V_{IH} = 2 \text{ V}, V_{IL} = 0.8 \text{ V}, I_{OL} = 16 \text{ mA}$	0.2	0.4		V
$I_I$ Input current at maximum input voltage	$V_{CC} = \text{MAX}, V_I = 5.5 \text{ V}$	1			mA
$I_{IH}$ High-level input current	$V_{CC} = \text{MAX}, V_I = 2.4 \text{ V}$	40			$\mu$ A
$I_{IL}$ Low-level input current	$V_{CC} = \text{MAX}, V_I = 0.4 \text{ V}$	-1.6			mA
$I_{OS}$ Short-circuit output current§	$V_{CC} = \text{MAX}$	SN54155	-20	-55	mA
		SN74155	-18	-57	
$I_{CC}$ Supply current	$V_{CC} = \text{MAX},$ See Note 2	SN54155	25	35	mA
		SN74155	25	40	

†For conditions shown as MIN or MAX, use the appropriate value specified under recommended operating conditions.

‡All typical values are at  $V_{CC} = 5 \text{ V}, T_A = 25^{\circ}\text{C}$ .

§Not more than one output should be shorted at a time.

NOTE 2:  $I_{CC}$  is measured with outputs open, A, B, and 1C inputs at 4.5 V, and 2C, 1G, and 2G inputs grounded.

### switching characteristics, $V_{CC} = 5 \text{ V}, T_A = 25^{\circ}\text{C}$

PARAMETER¶	FROM (INPUT)	TO (OUTPUT)	LEVELS OF LOGIC	TEST CONDITIONS	MIN	TYP	MAX	UNIT
$t_{PLH}$	A, B, 2C, 1G, or 2G	Y	2	$C_L = 15 \text{ pF},$ $R_L = 400 \Omega,$ See Note 3		13	20	ns
$t_{PHL}$	A, B, 2C, 1G, or 2G	Y	2			18	27	ns
$t_{PLH}$	A or B	Y	3			21	32	ns
$t_{PHL}$	A or B	Y	3			21	32	ns
$t_{PLH}$	1C	Y	3			16	24	ns
$t_{PHL}$	1C	Y	3			20	30	ns

¶ $t_{PLH} \equiv$  propagation delay time, low-to-high-level output

$t_{PHL} \equiv$  propagation delay time, high-to-low-level output

NOTE 3: Load circuit and voltage waveforms are shown on page 3-10.

# TYPES SN54LS155, SN74LS155

## DUAL 2-LINE-TO-4-LINE DECODERS/DEMULTIPLEXERS

REVISED OCTOBER 1976

### recommended operating conditions

	SN54LS155			SN74LS155			UNIT
	MIN	NOM	MAX	MIN	NOM	MAX	
Supply voltage, $V_{CC}$	4.5	5	5.5	4.75	5	5.25	V
High-level output current, $I_{OH}$			-400			-400	$\mu$ A
Low-level output current, $I_{OL}$			4			8	mA
Operating free-air temperature, $T_A$	-55		125	0		70	$^{\circ}$ C

### electrical characteristics over recommended operating free-air temperature range (unless otherwise noted)

PARAMETER	TEST CONDITIONS†	SN54LS155			SN74LS155			UNIT
		MIN	TYP‡	MAX	MIN	TYP‡	MAX	
$V_{IH}$ High-level input voltage		2			2			V
$V_{IL}$ Low-level input voltage				0.7			0.8	V
$V_{IK}$ Input clamp voltage	$V_{CC} = \text{MIN}, I_I = -18 \text{ mA}$			-1.5			-1.5	V
$V_{OH}$ High-level output voltage	$V_{CC} = \text{MIN}, V_{IH} = 2 \text{ V}, V_{IL} = V_{IL \text{ max}}, I_{OH} = -400 \mu\text{A}$	2.5	3.4		2.7	3.4		V
$V_{OL}$ Low-level output voltage	$V_{CC} = \text{MIN}, V_{IH} = 2 \text{ V}, V_{IL} = V_{IL \text{ max}}, I_{OL} = 4 \text{ mA}$ $I_{OL} = 8 \text{ mA}$		0.25	0.4		0.25	0.4	V
$I_I$ Input current at maximum input voltage	$V_{CC} = \text{MAX}, V_I = 7 \text{ V}$			0.1			0.1	mA
$I_{IH}$ High-level input current	$V_{CC} = \text{MAX}, V_I = 2.7 \text{ V}$			20			20	$\mu$ A
$I_{IL}$ Low-level input current	$V_{CC} = \text{MAX}, V_I = 0.4 \text{ V}$			-0.4			-0.4	mA
$I_{OS}$ Short-circuit output current§	$V_{CC} = \text{MAX}$	-6		-40	-5		-42	mA
$I_{CC}$ Supply current	$V_{CC} = \text{MAX},$ See Note 2		6.1	10		6.1	10	mA

† For conditions shown as MIN or MAX, use the appropriate value specified under recommended operating conditions.

‡ All typical values are at  $V_{CC} = 5 \text{ V}, T_A = 25^{\circ}\text{C}$ .

§ Not more than one output should be shorted at a time.

NOTE 2:  $I_{CC}$  is measured with outputs open, A, B, and 1C inputs at 4.5 V, and 2C, 1G, and 2G inputs grounded.

### switching characteristics, $V_{CC} = 5 \text{ V}, T_A = 25^{\circ}\text{C}$

PARAMETER¶	FROM (INPUT)	TO (OUTPUT)	LEVELS OF LOGIC	TEST CONDITIONS	SN54LS155 SN74LS155			UNIT
					MIN	TYP	MAX	
$t_{PLH}$	A, B, 2C, 1G, or 2G	Y	2	$C_L = 15 \text{ pF}, R_L = 2 \text{ k}\Omega,$ See Note 4	10	15	ns	
$t_{PHL}$	A, B, 2C, 1G, or 2G	Y	2		19	30	ns	
$t_{PLH}$	A or B	Y	3		17	26	ns	
$t_{PHL}$	A or B	Y	3		19	30	ns	
$t_{PLH}$	1C	Y	3		18	27	ns	
$t_{PHL}$	1C	Y	3		18	27	ns	

¶  $t_{PLH}$   $\equiv$  propagation delay time, low-to-high-level output

$t_{PHL}$   $\equiv$  propagation delay time, high-to-low-level output

NOTE 4: Load circuit and voltage waveforms are shown on page 3-11.

# TYPES SN54156, SN74156

## DUAL 2-LINE-TO-4-LINE DECODERS/DEMULPLEXERS

REVISED AUGUST 1977

### recommended operating conditions

	SN54156			SN74156			UNIT
	MIN	NOM	MAX	MIN	NOM	MAX	
Supply voltage, $V_{CC}$	4.5	5	5.5	4.75	5	5.25	V
High-level output voltage; $V_{OH}$				5.5			V
Low-level output current, $I_{OL}$				16			mA
Operating free-air temperature, $T_A$	-55			125			°C

### electrical characteristics over recommended operating free-air temperature range (unless otherwise noted)

PARAMETER	TEST CONDITIONS†	SN54156 SN74156			UNIT
		MIN	TYP‡	MAX	
$V_{IH}$ High-level input voltage		2			V
$V_{IL}$ Low-level input voltage		0.8			V
$V_{IK}$ Input clamp voltage	$V_{CC} = \text{MIN}, I_I = -8 \text{ mA}$	-1.5			V
$I_{OH}$ High-level output current	$V_{CC} = \text{MIN}, V_{IH} = 2 \text{ V}, V_{IL} = 0.8 \text{ V}, V_{OH} = 5.5 \text{ V}$	250			$\mu\text{A}$
$V_{OL}$ Low-level output voltage	$V_{CC} = \text{MIN}, V_{IH} = 2 \text{ V}, V_{IL} = 0.8 \text{ V}, I_{OL} = 16 \text{ mA}$	0.2	0.4		V
$I_I$ Input current at maximum input voltage	$V_{CC} = \text{MAX}, V_I = 5.5 \text{ V}$	1			mA
$I_{IH}$ High-level input current	$V_{CC} = \text{MAX}, V_I = 2.4 \text{ V}$	40			$\mu\text{A}$
$I_{IL}$ Low-level input current	$V_{CC} = \text{MAX}, V_I = 0.4 \text{ V}$	-1.6			mA
$I_{CC}$ Supply current	$V_{CC} = \text{MAX},$ See Note 2	SN54156			mA
		25	35		
		SN74156		25	40

†For conditions shown as MIN or MAX, use the appropriate value specified under recommended operating conditions.

‡All typical values are at  $V_{CC} = 5 \text{ V}, T_A = 25^\circ\text{C}$ .

NOTE 2:  $I_{CC}$  is measured with outputs open, A, B, and 1C inputs at 4.5 V, and 2C, 1G, and 2G inputs grounded.

### switching characteristics, $V_{CC} = 5 \text{ V}, T_A = 25^\circ\text{C}$

PARAMETER†	FROM (INPUT)	TO (OUTPUT)	LEVELS OF LOGIC	TEST CONDITIONS	MIN	TYP	MAX	UNIT
$t_{PLH}$	A, B, 2C, 1G, or 2G	Y	2	$C_L = 15 \text{ pF},$ $R_L = 400 \Omega,$ See Note 3	15	23		ns
$t_{PHL}$	A, B, 2C, 1G, or 2G	Y	2		20	30		ns
$t_{PLH}$	A or B	Y	3		23	34		ns
$t_{PHL}$	A or B	Y	3		23	34		ns
$t_{PLH}$	1C	Y	3		18	27		ns
$t_{PHL}$	1C	Y	3		22	33		ns

† $t_{PLH}$  ≡ propagation delay time, low-to-high-level output

$t_{PHL}$  ≡ propagation delay time, high-to-low-level output

NOTE 3: Load circuit and voltage waveforms are shown on page 3-10.

7

# TYPES SN54LS156, SN74LS156

## DUAL 2-LINE-TO-4-LINE DECODERS/DEMULTIPLEXERS

### recommended operating conditions

	SN54LS156			SN74LS156			UNIT
	MIN	NOM	MAX	MIN	NOM	MAX	
Supply voltage, $V_{CC}$	4.5	5	5.5	4.75	5	5.25	V
High-level output voltage, $V_{OH}$				5.5			V
Low-level output current, $I_{OL}$				4			8 mA
Operating free-air temperature, $T_A$	-55			125			0 70 °C

### electrical characteristics over recommended operating free-air temperature range (unless otherwise noted)

PARAMETER	TEST CONDITIONS†	SN54LS156			SN74LS156			UNIT
		MIN	TYP‡	MAX	MIN	TYP‡	MAX	
$V_{IH}$ High-level input voltage		2			2			V
$V_{IL}$ Low-level input voltage					0.7			V
$V_{IK}$ Input clamp voltage	$V_{CC} = \text{MIN}, I_I = -18 \text{ mA}$	-1.5			-1.5			V
$I_{OH}$ High-level output current	$V_{CC} = \text{MIN}, V_{IH} = 2 \text{ V}, V_{IL} = V_{IL \text{ max}}, V_{OH} = 5.5 \text{ V}$	100			100			$\mu\text{A}$
$V_{OL}$ Low-level output voltage	$V_{CC} = \text{MIN}, V_{IH} = 2 \text{ V}, V_{IL} = V_{IL \text{ max}}$	$I_{OL} = 4 \text{ mA}$ 0.25 0.4		0.25 0.4		0.5		V
$I_I$ Input current at maximum input voltage	$V_{CC} = \text{MAX}, V_I = 7 \text{ V}$	0.1			0.1			mA
$I_{IH}$ High-level input current	$V_{CC} = \text{MAX}, V_I = 2.7 \text{ V}$	20			20			$\mu\text{A}$
$I_{IL}$ Low-level input current	$V_{CC} = \text{MAX}, V_I = 0.4 \text{ V}$	-0.4			-0.4			mA
$I_{CC}$ Supply current	$V_{CC} = \text{MAX},$ See Note 2	6.1 10		6.1 10		10		mA

†For conditions shown as MIN or MAX, use the appropriate value specified under recommended operating conditions.

‡All typical values are at  $V_{CC} = 5 \text{ V}, T_A = 25^\circ\text{C}$ .

NOTE 2:  $I_{CC}$  is measured with outputs open, A, B, and 1C inputs at 4.5 V, and 2C, 1G, and 2G inputs grounded.

### switching characteristics, $V_{CC} = 5 \text{ V}, T_A = 25^\circ\text{C}$

PARAMETER‡	FROM (INPUT)	TO (OUTPUT)	LEVELS OF LOGIC	TEST CONDITIONS	SN54LS156 SN74LS156			UNIT
					MIN	TYP	MAX	
$t_{PLH}$	A, B, 2C 1G, or 2G	Y	2	$C_L = 15 \text{ pF},$ $R_L = 2 \text{ k}\Omega,$ See Note 4	25 40		ns	
$t_{PHL}$	A, B, 2C, 1G, or 2G	Y	2		34 51		ns	
$t_{PLH}$	A or B	Y	3		31 46		ns	
$t_{PHL}$	A or B	Y	3		34 51		ns	
$t_{PLH}$	1C	Y	3		32 48		ns	
$t_{PHL}$	1C	Y	3		32 48		ns	

‡ $t_{PLH}$   $\equiv$  propagation delay time, low-to-high-level output

$t_{PHL}$   $\equiv$  propagation delay time, high-to-low-level output

NOTE 4: Load circuit and voltage waveforms are shown on page 3-11.

# TYPES SN54157, SN54L157, SN54LS157, SN54LS158, SN54S157, SN54S158, SN74157, SN74L157, SN74LS157, SN74LS158, SN74S157, SN74S158 QUADRUPLE 2-LINE-TO-1-LINE DATA SELECTORS/MULTIPLEXERS

BULLETIN NO. DL-S 7711847, MARCH 1974—REVISED AUGUST 1977

## features

- Buffered Inputs and Outputs
- Three Speed/Power Ranges Available

TYPES	TYPICAL AVERAGE PROPAGATION TIME	TYPICAL POWER DISSIPATION
'157	9 ns	150 mW
'L157	18 ns	75 mW
'LS157	9 ns	49 mW
'S157	5 ns	250 mW
'LS158	7 ns	24 mW
'S158	4 ns	195 mW

## applications

- Expand Any Data Input Point
- Multiplex Dual Data Buses
- Generate Four Functions of Two Variables (One Variable Is Common)
- Source Programmable Counters

## description

These monolithic data selectors/multiplexers contain inverters and drivers to supply full on-chip data selection to the four output gates. A separate strobe input is provided. A 4-bit word is selected from one of two sources and is routed to the four outputs. The '157, 'L157, 'LS157, and 'S157 present true data whereas the 'LS158 and 'S158 present inverted data to minimize propagation delay time.

FUNCTION TABLE

INPUTS		OUTPUT Y			
STROBE	SELECT	A	B	'157, 'L157, 'LS157, 'S157	'LS158 'S158
H	X	X	X	L	H
L	L	L	X	L	H
L	L	H	X	H	L
L	H	X	L	L	H
L	H	X	H	H	L

H = high level, L = low level, X = irrelevant

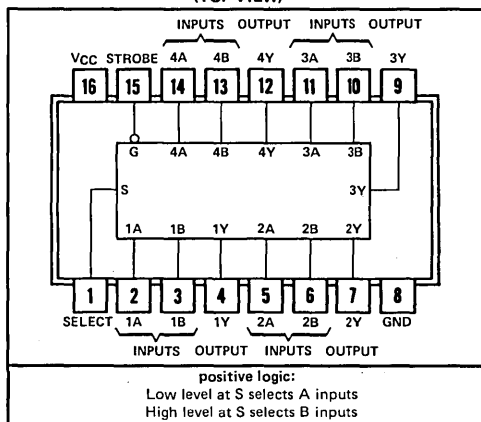
## absolute maximum ratings over operating free-air temperature range (unless otherwise noted)

Supply voltage, V <sub>CC</sub> (see Note 1)	7 V
Input voltage: '157, 'L157, 'S158	5.5 V
'LS157, 'LS158	7 V
Operating free-air temperature range: SN54', SN54L', SN54LS', SN54S' Circuits	-55°C to 125°C
SN74', SN74L', SN74LS', SN74S' Circuits	0°C to 70°C
Storage temperature range	-65°C to 150°C

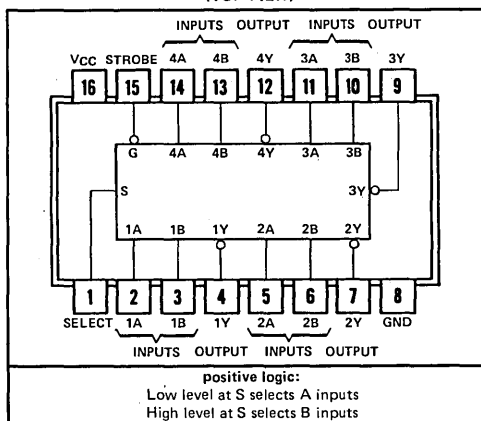
NOTE 1: Voltage values are with respect to network ground terminal.

SN54157, SN54LS157, SN54S157 . . . J OR W PACKAGE  
SN54L157 . . . J PACKAGE

SN74157, SN74L157, SN74LS157, SN74S157 . . . J OR N PACKAGE  
(TOP VIEW)



SN54LS158, SN54S158 . . . J OR W PACKAGE  
SN74LS158, SN74S158 . . . J OR N PACKAGE  
(TOP VIEW)

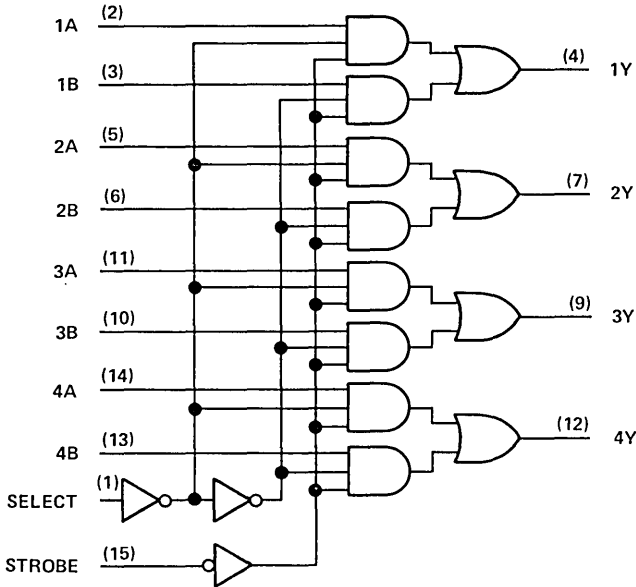


7

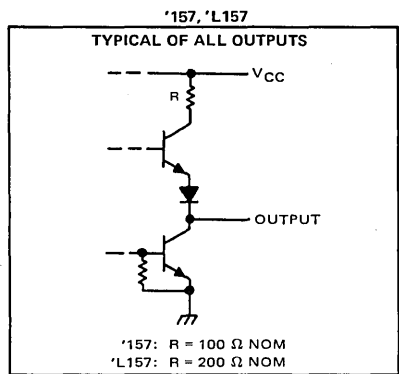
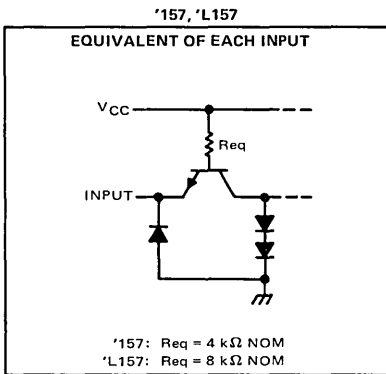
# TYPES SN54157, SN54L157, SN74157, SN74L157, QUADRUPLE 2-LINE-TO-1-LINE DATA SELECTORS/MULTIPLEXERS

functional block diagram

'157, 'L157



**7** schematics of inputs and outputs

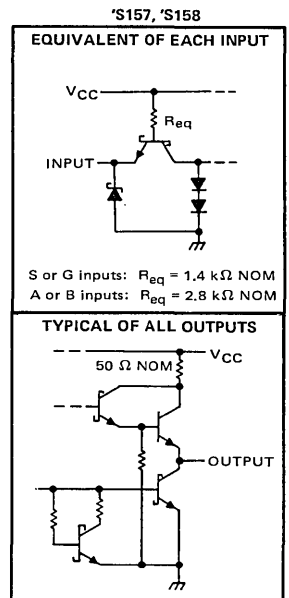
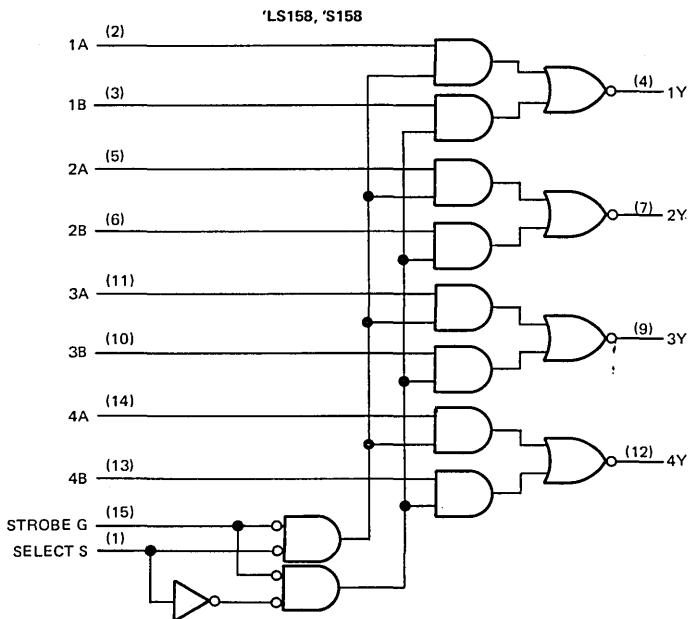
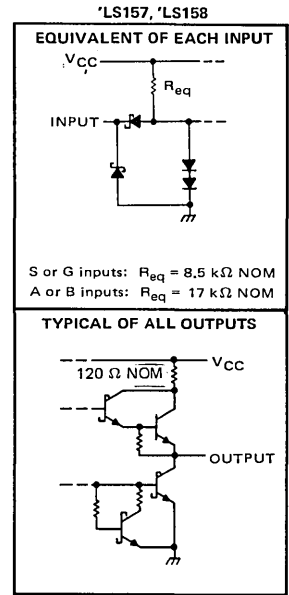
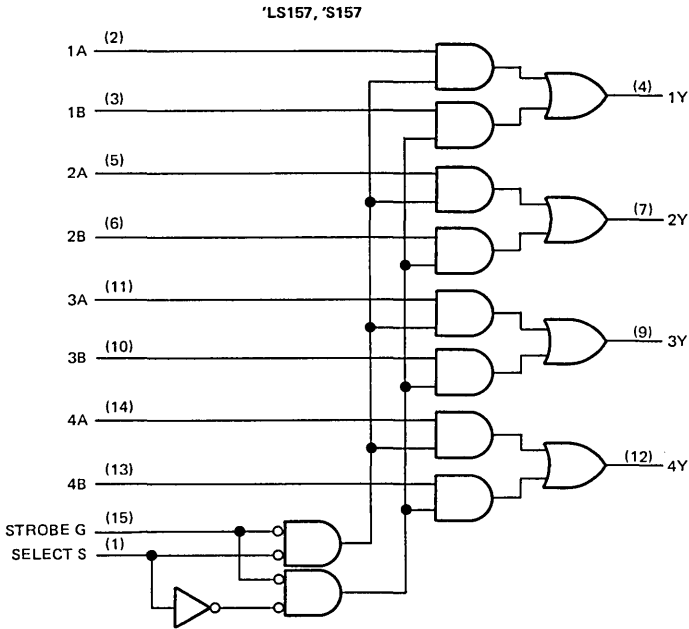


# TYPES SN54LS157, SN54LS158, SN54S157, SN54S158, SN74LS157, SN74LS158, SN74S157, SN74S158

## QUADRUPLE 2-LINE-TO-1-LINE DATA SELECTORS/MULTIPLEXERS

functional block diagrams

schematics of inputs and outputs





# TYPES SN54157, SN74157

## QUADRUPLE 2-LINE-TO-1-LINE DATA SELECTORS/MULTIPLEXERS

### recommended operating conditions

	SN54157			SN74157			UNIT
	MIN	NOM	MAX	MIN	NOM	MAX	
Supply voltage, $V_{CC}$	4.5	5	5.5	4.75	5	5.25	V
High-level output current, $I_{OH}$			-800			-800	$\mu$ A
Low-level output current, $I_{OL}$			16			16	mA
Operating free-air temperature, $T_A$	-55		125	0		70	$^{\circ}$ C

### electrical characteristics over recommended operating free-air temperature range (unless otherwise noted)

PARAMETER	TEST CONDITIONS <sup>†</sup>	SN54157			SN74157			UNIT
		MIN	TYP <sup>‡</sup>	MAX	MIN	TYP <sup>‡</sup>	MAX	
$V_{IH}$ High-level input voltage		2			2			V
$V_{IL}$ Low-level input voltage				0.8			0.8	V
$V_{IK}$ Input clamp voltage	$V_{CC} = \text{MIN}, I_I = -12 \text{ mA}$			-1.5			-1.5	V
$V_{OH}$ High-level output voltage	$V_{CC} = \text{MIN}, V_{IH} = 2 \text{ V}, V_{IL} = 0.8 \text{ V}, I_{OH} = -800 \mu\text{A}$	2.4	3.4		2.4	3.4		V
$V_{OL}$ Low-level output voltage	$V_{CC} = \text{MIN}, V_{IH} = 2 \text{ V}, V_{IL} = 0.8 \text{ V}, I_{OL} = 16 \text{ mA}$	0.2	0.4		0.2	0.4		V
$I_I$ Input current at maximum input voltage	$V_{CC} = \text{MAX}, V_I = 5.5 \text{ V}$			1			1	mA
$I_{IH}$ High-level input current	$V_{CC} = \text{MAX}, V_I = 2.4 \text{ V}$			40			40	$\mu$ A
$I_{IL}$ Low-level input current	$V_{CC} = \text{MAX}, V_I = 0.4 \text{ V}$			-1.6			-1.6	mA
$I_{OS}$ Short-circuit output current <sup>§</sup>	$V_{CC} = \text{MAX}$	-20		-55	-18		-55	mA
$I_{CC}$ Supply current	$V_{CC} = \text{MAX},$ See Note 2		30	48		30	48	mA

<sup>†</sup> For conditions shown as MIN or MAX, use the appropriate value specified under recommended operating conditions.

<sup>‡</sup> All typical values are at  $V_{CC} = 5 \text{ V}, T_A = 25^{\circ}\text{C}$ .

<sup>§</sup> Not more than one output should be shorted at a time and duration of short-circuit should not exceed one second.

NOTE 2:  $I_{CC}$  is measured with 4.5 V applied to all inputs and all outputs open.

### switching characteristics, $V_{CC} = 5 \text{ V}, T_A = 25^{\circ}\text{C}$

PARAMETER <sup>¶</sup>	FROM (INPUT)	TEST CONDITIONS	MIN	TYP	MAX	UNIT
$t_{PLH}$	Data	$C_L = 15 \text{ pF}, R_L = 400 \Omega,$ See Note 3		9	14	ns
$t_{PHL}$				9	14	
$t_{PLH}$	Strobe			13	20	ns
$t_{PHL}$				14	21	
$t_{PLH}$	Select			15	23	ns
$t_{PHL}$				18	27	

<sup>¶</sup>  $t_{PLH}$   $\equiv$  propagation delay time, low-to-high-level output

$t_{PHL}$   $\equiv$  propagation delay time, high-to-low-level output

NOTE 3: Load circuit and voltage waveforms are shown on page 3-10.

# TYPES SN54L157, SN74L157

## QUADRUPLE 2-LINE-TO-1-LINE DATA SELECTORS/MULTIPLEXERS

### recommended operating conditions

	SN54L157			SN74L157			UNIT	
	MIN	NOM	MAX	MIN	NOM	MAX		
Supply voltage, $V_{CC}$	4.5	5	5.5	4.75	5	5.25	V	
High-level output current, $I_{OH}$	-400			-400			$\mu$ A	
Low-level output current, $I_{OL}$	8			8			mA	
Operating free-air temperature, $T_A$	-55			125			0	$^{\circ}$ C

### electrical characteristics over recommended operating free-air temperature range (unless otherwise noted)

PARAMETER	TEST CONDITIONS <sup>†</sup>	MIN	TYP <sup>‡</sup>	MAX	UNIT
$V_{IH}$ High-level input voltage		2			V
$V_{IL}$ Low-level input voltage		0.8			V
$V_{IK}$ Input clamp voltage	$V_{CC} = \text{MIN}$ , $I_I = -12 \text{ mA}$	-1.5			V
$V_{OH}$ High-level output voltage	$V_{CC} = \text{MIN}$ , $V_{IH} = 2 \text{ V}$ , $V_{IL} = 0.8 \text{ V}$ , $I_{OH} = -400 \mu\text{A}$	2.4	3.4		V
$V_{OL}$ Low-level output voltage	$V_{CC} = \text{MIN}$ , $V_{IH} = 2 \text{ V}$ , $V_{IL} = 0.8 \text{ V}$ , $I_{OL} = 8 \text{ mA}$		0.2	0.4	V
$I_I$ Input current at maximum input voltage	$V_{CC} = \text{MAX}$ , $V_I = 5.5 \text{ V}$	1			mA
$I_{IH}$ High-level input current	$V_{CC} = \text{MAX}$ , $V_I = 2.4 \text{ V}$	20			$\mu$ A
$I_{IL}$ Low-level input current	$V_{CC} = \text{MAX}$ , $V_I = 0.4 \text{ V}$	-0.8			mA
$I_{OS}$ Short-circuit output current <sup>§</sup>	$V_{CC} = \text{MAX}$	-9		-28	mA
$I_{CC}$ Supply current	$V_{CC} = \text{MAX}$ , See Note 2		15	24	mA

<sup>†</sup>For conditions shown as MIN or MAX, use the appropriate value specified under recommended operating conditions.

<sup>‡</sup>All typical values are at  $V_{CC} = 5 \text{ V}$ ,  $T_A = 25^{\circ}\text{C}$ .

<sup>§</sup>Not more than one output should be shorted at a time.

NOTE 2:  $I_{CC}$  is measured with 4.5 V applied to all inputs and all outputs open.

### switching characteristics, $V_{CC} = 5 \text{ V}$ , $T_A = 25^{\circ}\text{C}$

PARAMETER <sup>¶</sup>	FROM (INPUT)	TEST CONDITIONS	MIN	TYP	MAX	UNIT
$t_{PLH}$	Data	$C_L = 15 \text{ pF}$ , $R_L = 800 \Omega$ , See Note 3	18	28	ns	
$t_{PHL}$			18	28		
$t_{PLH}$	Strobe		26	40	ns	
$t_{PHL}$			28	42		
$t_{PLH}$	Select		30	46	ns	
$t_{PHL}$			36	54		

<sup>¶</sup> $t_{PLH}$   $\equiv$  propagation delay time, low-to-high-level output

$t_{PHL}$   $\equiv$  propagation delay time, high-to-low-level output

NOTE 3: Load circuit and voltage waveforms are shown on page 3-10.

# TYPES SN54LS157, SN54LS158, SN74LS157, SN74LS158 QUADRUPLE 2-LINE-TO-1-LINE DATA SELECTORS/MULTIPLEXERS

REVISED DECEMBER 1980

## recommended operating conditions

	SN54LS'			SN74LS'			UNIT
	MIN	NOM	MAX	MIN	NOM	MAX	
Supply voltage, $V_{CC}$	4.5	5	5.5	4.75	5	5.25	V
High-level output current, $I_{OH}$				-400			$\mu$ A
Low-level output current, $I_{OL}$	4						8 mA
Operating free-air temperature, $T_A$	-55		125	0		70	$^{\circ}$ C

## electrical characteristics over recommended operating free-air temperature range (unless otherwise noted)

PARAMETER		TEST CONDITIONS <sup>†</sup>	SN54LS'			SN74LS'			UNIT	
			MIN	TYP <sup>‡</sup>	MAX	MIN	TYP <sup>‡</sup>	MAX		
$V_{IH}$	High-level input voltage		2			2			V	
$V_{IL}$	Low-level input voltage		0.7			0.8			V	
$V_{IK}$	Input clamp voltage	$V_{CC} = \text{MIN}, I_I = -18 \text{ mA}$	-1.5			-1.5			V	
$V_{OH}$	High-level output voltage	$V_{CC} = \text{MIN}, V_{IH} = 2 \text{ V}, V_{IL} = \text{MAX}, I_{OH} = -400 \mu\text{A}$	2.5	3.4		2.7	3.4		V	
$V_{OL}$	Low-level output voltage	$V_{CC} = \text{MIN}, V_{IH} = 2 \text{ V}, I_{OL} = 4 \text{ mA}$ $I_{OL} = 8 \text{ mA}$	0.25	0.4		0.25	0.4		V	
$I_I$	Input current at maximum input voltage	S or G input	$V_{CC} = \text{MAX}, V_I = 7 \text{ V}$			0.2			mA	
		A or B input				0.1				
$I_{IH}$	High-level input current	S or G input	$V_{CC} = \text{MAX}, V_I = 2.7 \text{ V}$			40			$\mu$ A	
		A or B input				20				
$I_{IL}$	Low-level input current	S or G input	$V_{CC} = \text{MAX}, V_I = 0.4 \text{ V}$			-0.8			mA	
		A or B input				-0.4				
$I_{OS}$	Short-circuit output current <sup>§</sup>	$V_{CC} = \text{MAX}$	-20		-100	-20		-100	mA	
$I_{CC}$	Supply current	$V_{CC} = \text{MAX},$ See Note 2	'LS157		9.7	16	'LS158		9.7	16
			'LS158		4.8	8	'LS158		4.8	8
		$V_{CC} = \text{MAX},$ All A inputs at 4.5 V, All other inputs at 0 V	'LS158		6.5	11	'LS158		6.5	11

<sup>†</sup>For conditions shown as MIN or MAX, use the appropriate value specified under recommended operating conditions.

<sup>‡</sup>All typical values are at  $V_{CC} = 5 \text{ V}, T_A = 25^{\circ}\text{C}$ .

<sup>§</sup>Not more than one output should be shorted at a time and duration of short-circuit should not exceed one second.

NOTE 2:  $I_{CC}$  is measured with 4.5 V applied to all inputs and all outputs open.

## switching characteristics, $V_{CC} = 5 \text{ V}, T_A = 25^{\circ}\text{C}$

PARAMETER <sup>¶</sup>	FROM (INPUT)	TEST CONDITIONS	'LS157			'LS158			UNIT
			MIN	TYP	MAX	MIN	TYP	MAX	
$t_{PLH}$	Data	$C_L = 15 \text{ pF}, R_L = 2 \text{ k}\Omega,$ See Note 4	9			7			ns
$t_{PHL}$			14			12			
$t_{PLH}$	Strobe		13			11			ns
$t_{PHL}$			20			17			
$t_{PLH}$	Select		14			18			ns
$t_{PHL}$			21			24			
$t_{PLH}$		15			13			ns	
$t_{PHL}$		23			20				
$t_{PLH}$		18			16			ns	
$t_{PHL}$		27			24				

<sup>¶</sup> $t_{PLH} \equiv$  propagation delay time, low-to-high-level output

$t_{PHL} \equiv$  propagation delay time, high-to-low-level output

NOTE 4: Load circuit and voltage waveforms are shown on page 3-11.

# TYPES SN54S157, SN54S158, SN74S157, SN74S158

## QUADRUPLE 2-LINE-TO-1-LINE DATA SELECTORS/MULTIPLEXERS

REVISED AUGUST 1977

### recommended operating conditions

	SN54S157 SN54S158			SN74S157 SN74S158			UNIT
	MIN	NOM	MAX	MIN	NOM	MAX	
Supply voltage, $V_{CC}$	4.5	5	5.5	4.75	5	5.25	V
High-level output current, $I_{OH}$			-1			-1	mA
Low-level output current, $I_{OL}$			20			20	mA
Operating free-air temperature, $T_A$	-55		125	0		70	°C

### electrical characteristics over recommended operating free-air temperature range (unless otherwise noted)

PARAMETER	TEST CONDITIONS†	SN54S157 SN74S157		SN54S158 SN74S158		UNIT
		MIN	TYP‡	MAX	MIN	
$V_{IH}$ High-level input voltage		2		2		V
$V_{IL}$ Low-level input voltage			0.8		0.8	V
$V_{IK}$ Input clamp voltage	$V_{CC} = \text{MIN}, I_I = -18 \text{ mA}$		-1.2		-1.2	V
$V_{OH}$ High-level output voltage	$V_{CC} = \text{MIN}, V_{IH} = 2 \text{ V},$ $V_{IL} = 0.8 \text{ V}, I_{OH} = -1 \text{ mA}$	Series 54S 2.5	3.4	Series 74S 2.7	3.4	V
$V_{OL}$ Low-level output voltage	$V_{CC} = \text{MIN}, V_{IH} = 2 \text{ V},$ $V_{IL} = 0.8 \text{ V}, I_{OL} = 20 \text{ mA}$		0.5		0.5	V
$I_I$ Input current at maximum input voltage	$V_{CC} = \text{MAX}, V_I = 5.5 \text{ V}$		1		1	mA
$I_{IH}$ High-level input current	S or G input		100		100	$\mu\text{A}$
	A or B input		50		50	
$I_{IL}$ Low-level input current	S or G input		-4		-4	mA
	A or B input		-2		-2	
$I_{OS}$ Short-circuit output current §	$V_{CC} = \text{MAX}$	-40	-100	-40	-100	mA
$I_{CC}$ Supply current	$V_{CC} = \text{MAX},$ All inputs at 4.5 V, See Note 2		50 78		39 61	mA
	$V_{CC} = \text{MAX},$ A inputs at 4.5 V, B,G,S, inputs at 0 V, See Note 2				81	

† For conditions shown as MIN or MAX, use the appropriate value specified under recommended operating conditions.

‡ All typical values are at  $V_{CC} = 5 \text{ V}, T_A = 25^\circ\text{C}$ .

§ Not more than one output should be shorted at a time, and duration of the short-circuit should not exceed one second.

Note 2:  $I_{CC}$  is measured with all outputs open.

### switching characteristics, $V_{CC} = 5 \text{ V}, T_A = 25^\circ\text{C}$

PARAMETER¶	FROM (INPUT)	TEST CONDITIONS	SN54S157 SN74S157		SN54S158 SN74S158		UNIT
			MIN	TYP	MAX	MIN	
$t_{PLH}$	Data	$C_L = 15 \text{ pF},$ $R_L = 280 \Omega,$ See Note 3	5	7.5	4	6	ns
$t_{PHL}$			4.5	6.5	4	6	
$t_{PLH}$	Strobe		8.5	12.5	6.5	11.5	ns
$t_{PHL}$			7.5	12	7	12	
$t_{PLH}$	Select		9.5	15	8	12	ns
$t_{PHL}$			9.5	15	8	12	

¶  $t_{PLH}$  ≡ propagation delay time, low-to-high-level output

$t_{PHL}$  ≡ propagation delay time, high-to-low-level output

NOTE 3: Load circuit and voltage waveforms are shown on page 3-10.

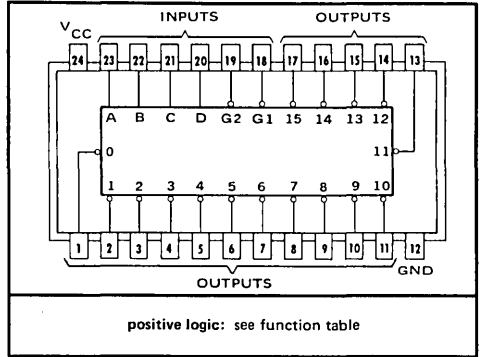


**TYPES SN54159, SN74159  
4-LINE-TO-16-LINE DECODERS/DEMULTIPLEXERS  
WITH OPEN-COLLECTOR OUTPUTS**

BULLETIN NO. DL-S 7211800, DECEMBER 1972

- Open-Collector Outputs for Interfacing with MOS or Memory Decoders/Drivers
- Decodes 4 Binary-Coded Inputs into One of 16 Mutually Exclusive Outputs
- Performs the Demultiplexing Function by Distributing Data from One Input Line to Any One of 16 Outputs
- Typical Average Propagation Delay Times:  
24 ns through 3 Levels of Logic  
19 ns from Strobe Input
- Output Off-State Current is Less Than 50  $\mu$ A
- Fully Compatible with Most TTL, DTL, and MSI Circuits

SN54159 ... J OR W PACKAGE  
SN74159 ... J OR N PACKAGE  
(TOP VIEW)



**description**

Each of these monolithic, 4-line-to-16-line decoders utilizes TTL circuitry to decode four binary-coded inputs into one of sixteen mutually exclusive open-collector outputs when both the strobe inputs, G1 and G2, are low. The demultiplexing function is performed by using the 4 input lines to address the output line, passing data from one of the strobe inputs with the other strobe input low. When either strobe input is high, all outputs are high. These demultiplexers are ideally suited for implementing MOS memory decoding or for interfacing with discrete memory address drivers. For ultra-high-speed applications, the SN54S138/SN74S138 or SN54S139/SN74S139 is recommended.

These circuits are fully compatible for use with most other TTL and DTL circuits. Input clamping diodes are provided to minimize transmission-line effects and thereby simplify system design. Input buffers are used to lower the fan-in requirement to only one normalized Series 54/74 load. A fan-out to 10 normalized Series 54/74 loads in the low-level state is available from each of the sixteen outputs. Typical power dissipation is 170 mW.

The SN54159 is characterized for operation over the full military temperature range of  $-55^{\circ}\text{C}$  to  $125^{\circ}\text{C}$ ; the SN74159 is characterized for operation from  $0^{\circ}\text{C}$  to  $70^{\circ}\text{C}$ .

**function table**

Same as SN54154, SN74154. See page 7-172.

**functional block diagram**

Same as SN54154, SN74154. See page 7-172.

**absolute maximum ratings over operating free-air temperature range (unless otherwise noted)**

Supply voltage, $V_{CC}$ (see Note 1)	7 V
Input voltage	5.5 V
Off-state output voltage	5.5 V
Operating free-air temperature range: SN54159 Circuits	$-55^{\circ}\text{C}$ to $125^{\circ}\text{C}$
SN74159 Circuits	$0^{\circ}\text{C}$ to $70^{\circ}\text{C}$
Storage temperature range	$-65^{\circ}\text{C}$ to $150^{\circ}\text{C}$

NOTE 1: Voltage values are with respect to network ground terminal

# TYPES SN54159, SN74159 4-LINE-TO-16-LINE DECODERS/DEMULTIPLEXERS WITH OPEN-COLLECTOR OUTPUTS

## recommended operating conditions

	SN54159			SN74159			UNIT
	MIN	NOM	MAX	MIN	NOM	MAX	
Supply voltage, $V_{CC}$	4.5	5	5.5	4.75	5	5.25	V
Low-level output current, $I_{OL}$	16			16			mA
Operating free-air temperature, $T_A$	55			125			°C

## electrical characteristics over recommended operating free-air temperature range (unless otherwise noted)

PARAMETER	TEST CONDITIONS†	MIN	TYP‡	MAX	UNIT	
$V_{IH}$ High-level input voltage		2			V	
$V_{IL}$ Low-level input voltage				0.8	V	
$V_{IK}$ Input clamp voltage	$V_{CC} = \text{MIN}, I_I = -12 \text{ mA}$			-1.5	V	
$I_{OH}$ High-level output current	$V_{CC} = \text{MIN}, V_{IH} = 2 \text{ V}, V_{IL} = 0.8 \text{ V}, V_{OH} = 5.5 \text{ V}$			50	$\mu\text{A}$	
$V_{OL}$ Low-level output voltage	$V_{CC} = \text{MIN}, V_{IH} = 2 \text{ V}, V_{IL} = 0.8 \text{ V}, I_{OL} = 16 \text{ mA}$			0.4	V	
$I_I$ Input current at maximum input voltage	$V_{CC} = \text{MAX}, V_I = 5.5 \text{ V}$			1	mA	
$I_{IH}$ High-level input current	$V_{CC} = \text{MAX}, V_I = 2.4 \text{ V}$			40	$\mu\text{A}$	
$I_{IL}$ Low-level input current	$V_{CC} = \text{MAX}, V_I = 0.4 \text{ V}$			-1.6	mA	
$I_{CC}$ Supply current	$V_{CC} = \text{MAX}, \text{All inputs grounded}$			34	56	mA

†For conditions shown as MIN or MAX, use the appropriate value specified under recommended operating conditions for the applicable type.

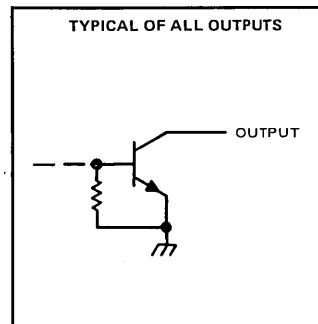
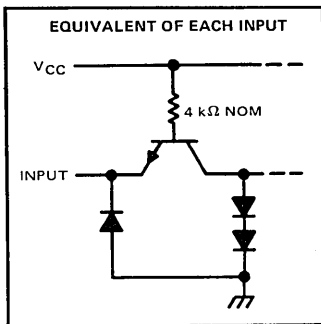
‡All typical values are at  $V_{CC} = 5 \text{ V}, T_A = 25^\circ\text{C}$ .

## switching characteristics, $V_{CC} = 5 \text{ V}, T_A = 25^\circ\text{C}$

PARAMETER	TEST CONDITIONS	MIN	TYP	MAX	UNIT
$t_{PLH}$ Propagation delay time, low-to-high-level output, from A, B, C, or D inputs through 3 levels of logic	$C_L = 15 \text{ pF}, R_L = 400 \Omega, \text{ See Note 2}$		23	36	ns
$t_{PHL}$ Propagation delay time, high-to-low-level output, from A, B, C, or D inputs through 3 levels of logic			24	36	ns
$t_{PLH}$ Propagation delay time, low-to-high-level output, from either strobe input			15	25	ns
$t_{PHL}$ Propagation delay time, high-to-low-level output, from either strobe input			22	36	ns

NOTE 2: See load circuit and waveforms shown on page 3-10.

## schematics of inputs and outputs



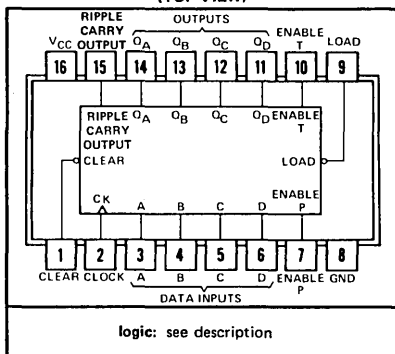
# TYPES SN54160 THRU SN54163, SN54LS160A THRU SN54LS163A, SN54S162, SN54S163, SN74160 THRU SN74163, SN74LS160A THRU SN74LS163A, SN74S162, SN74S163 SYNCHRONOUS 4-BIT COUNTERS

BULLETIN NO. DL-S 7711385, OCTOBER 1976—REVISED AUGUST 1977

'160, '161, 'LS160A, 'LS161A . . . SYNCHRONOUS COUNTERS WITH DIRECT CLEAR  
'162, '163, 'LS162A, 'LS163A, 'S162, 'S163 . . . FULLY SYNCHRONOUS COUNTERS

- Internal Look-Ahead for Fast Counting
- Carry Output for n-Bit Cascading
- Synchronous Counting
- Synchronously Programmable
- Load Control Line
- Diode-Clamped Inputs

SERIES 54', 54LS', 54S' . . . J OR W PACKAGE  
SERIES 74', 74LS', 74S' . . . J OR N PACKAGE  
(TOP VIEW)



TYPE	TYPICAL PROPAGATION TIME, CLOCK TO Q OUTPUT	TYPICAL MAXIMUM CLOCK FREQUENCY	TYPICAL POWER DISSIPATION
'160 thru '163	14 ns	32 MHz	305 mW
'LS160A thru 'LS163A	14 ns	32 MHz	93 mW
'S162 and 'S163	9 ns	70 MHz	475 mW

**description**

These synchronous, presettable counters feature an internal carry look-ahead for application in high-speed counting designs. The '160, '162, 'LS160A, 'LS162A, and 'S162 are decade counters and the '161, '163, 'LS161A, 'LS163A, and 'S163 are 4-bit binary counters. Synchronous operation is provided by having all flip-flops clocked simultaneously so that the outputs change coincident with each other when so instructed by the count-enable inputs and internal gating. This mode of operation eliminates the output counting spikes that are normally associated with asynchronous (ripple clock) counters. A buffered clock input triggers the four flip-flops on the rising (positive-going) edge of the clock input waveform.

These counters are fully programmable; that is, the outputs may be preset to either level. As presetting is synchronous, setting up a low level at the load input disables the counter and causes the outputs to agree with the setup data after the next clock pulse regardless of the levels of the enable inputs. Low-to-high transitions at the load input of the '160 thru '163 should be avoided when the clock is low if the enable inputs are high at or before the transition. This restriction is not applicable to the 'LS160A thru 'LS163A or 'S162 or 'S163. The clear function for the '160, '161, 'LS160A, and 'LS161A is asynchronous and a low level at the clear input sets all four of the flip-flop outputs low regardless of the levels of clock, load, or enable inputs. The clear function for the '162, '163, 'LS162A, 'LS163A, 'S162, and 'S163 is synchronous and a low level at the clear input sets all four of the flip-flop outputs low after the next clock pulse, regardless of the levels of the enable inputs. This synchronous clear allows the count length to be modified easily as decoding the maximum count desired can be accomplished with one external NAND gate. The gate output is connected to the clear input to synchronously clear the counter to 0000 (LLLL). Low-to-high transitions at the clear input of the '162 and '163 should be avoided when the clock is low if the enable and load inputs are high at or before the transition.

The carry look-ahead circuitry provides for cascading counters for n-bit synchronous applications without additional gating. Instrumental in accomplishing this function are two count-enable inputs and a ripple carry output. Both count-enable inputs (P and T) must be high to count, and input T is fed forward to enable the ripple carry output. The ripple carry output thus enabled will produce a high-level output pulse with a duration approximately equal to the high-level portion of the QA output. This high-level overflow ripple carry pulse can be used to enable successive cascaded stages. High-to-low-level transitions at the enable P or T inputs of the '160 thru '163 should occur only when the clock input is high. Transitions at the enable P or T inputs of the 'LS160A thru 'LS163A or 'S162 and 'S163 are allowed regardless of the level of the clock input.

'LS160A thru 'LS163A, 'S162 and 'S163 feature a fully independent clock circuit. Changes at control inputs (enable P or T, or clear) that will modify the operating mode have no effect until clocking occurs. The function of the counter (whether enabled, disabled, loading, or counting) will be dictated solely by the conditions meeting the stable setup and hold times.

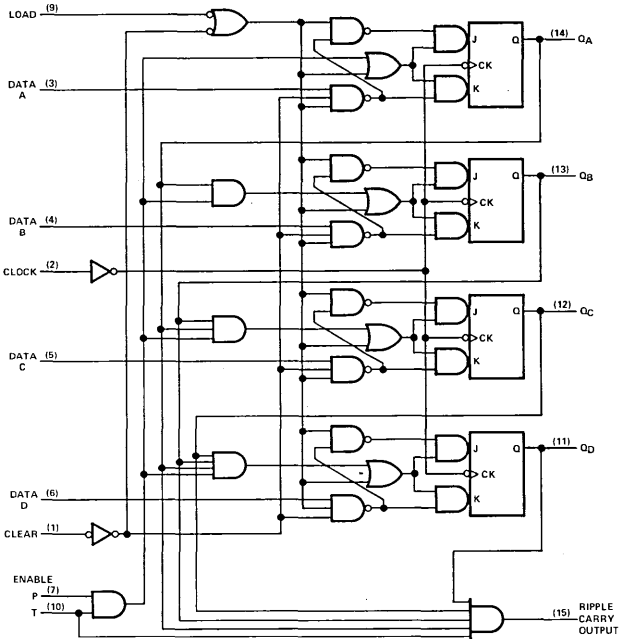
The 'LS160A thru 'LS163A are completely new designs. Compared to the original 'LS160 thru 'LS163, they feature 0-nanosecond minimum hold time and reduced input currents  $I_{IH}$  and  $I_{IL}$ .

**TYPES SN54160 THRU SN54163, SN74160 THRU SN74163  
SYNCHRONOUS 4-BIT COUNTERS**

functional block diagrams

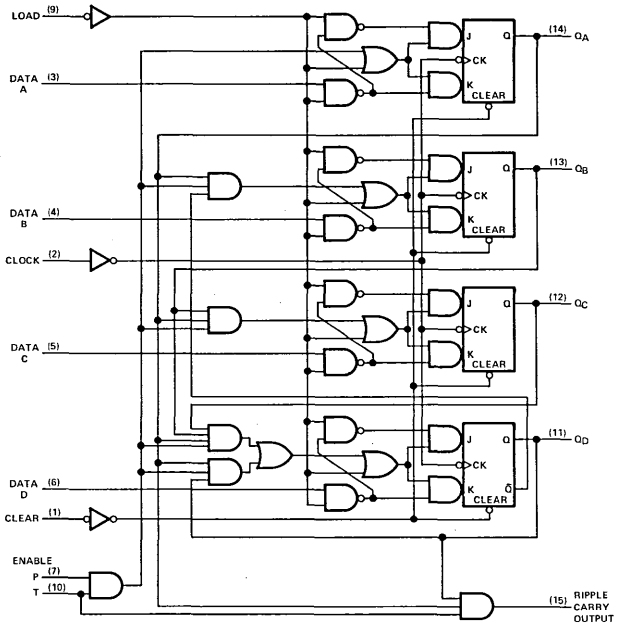
**SN54163, SN74163 SYNCHRONOUS BINARY COUNTERS**

SN54161, SN74161 synchronous binary counters are similar; however, the clear is asynchronous as shown for the SN54160, SN74160 decade counters at left.



**SN54160, SN74160 SYNCHRONOUS DECADE COUNTERS**

SN54162, SN74162 synchronous decade counters are similar; however, the clear is synchronous as shown for the SN54163, SN74163 binary counters at right.



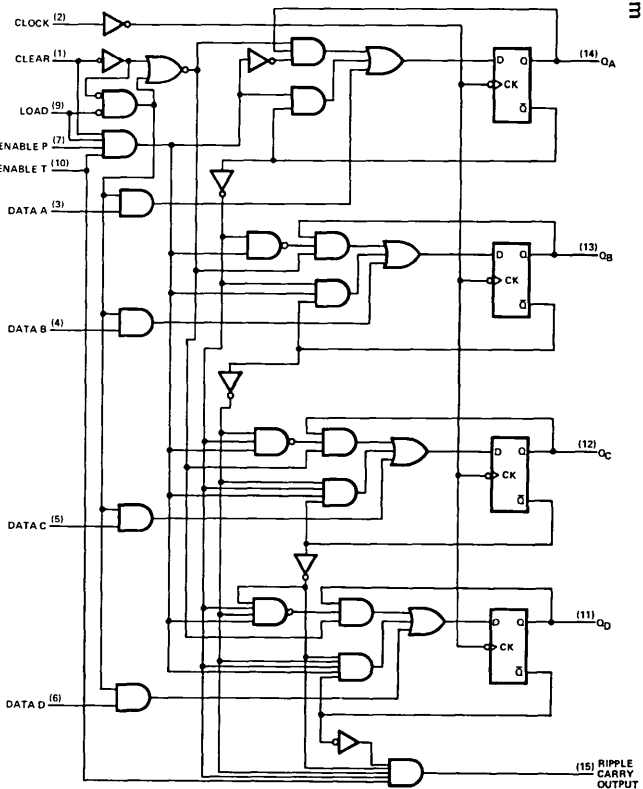


**TYPES SN54LS160A THRU SN54LS163A, SN74LS160A THRU SN74LS163A  
SYNCHRONOUS 4-BIT COUNTERS**

functional block diagram

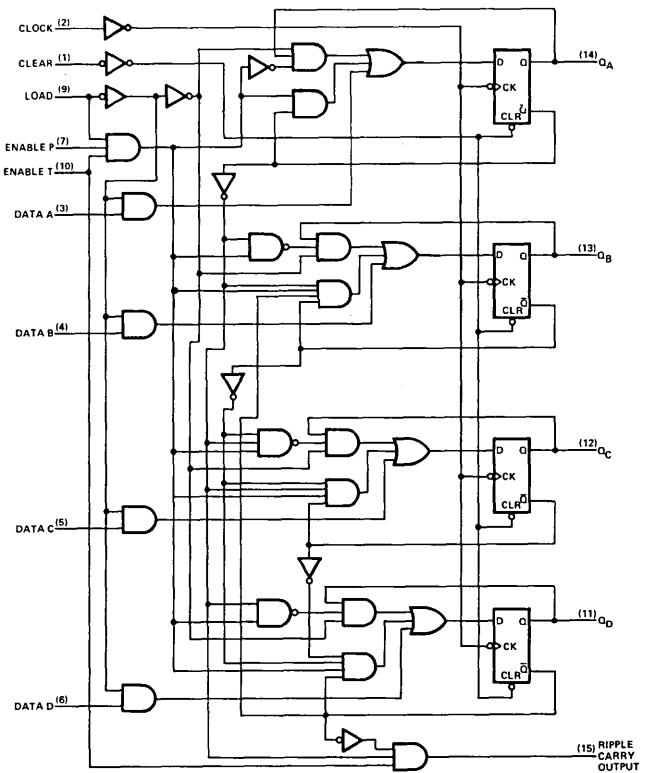
**SN54LS163A, SN74LS163A SYNCHRONOUS  
BINARY COUNTERS**

SN54LS161A, SN74LS161A synchronous binary counters are similar; however, the clear is asynchronous as shown for the SN54LS160A, SN74LS160A decade counters at left.



**SN54LS160A, SN74LS160A SYNCHRONOUS  
DECADE COUNTERS**

SN54LS162A, SN74LS162A synchronous decade counters are similar; however the clear is synchronous as shown for the SN54LS163A, SN74LS163A binary counters at right.

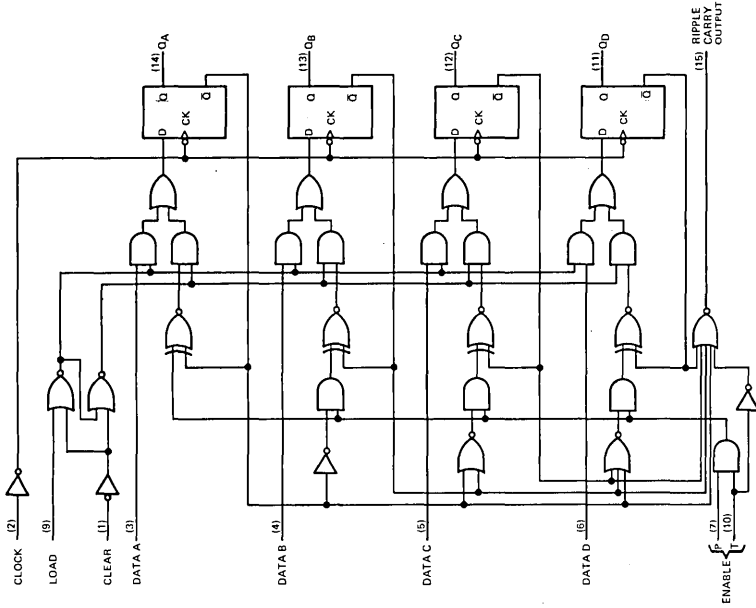


# TYPES SN54S162, SN54S163, SN74S162, SN74S163 SYNCHRONOUS 4-BIT COUNTERS

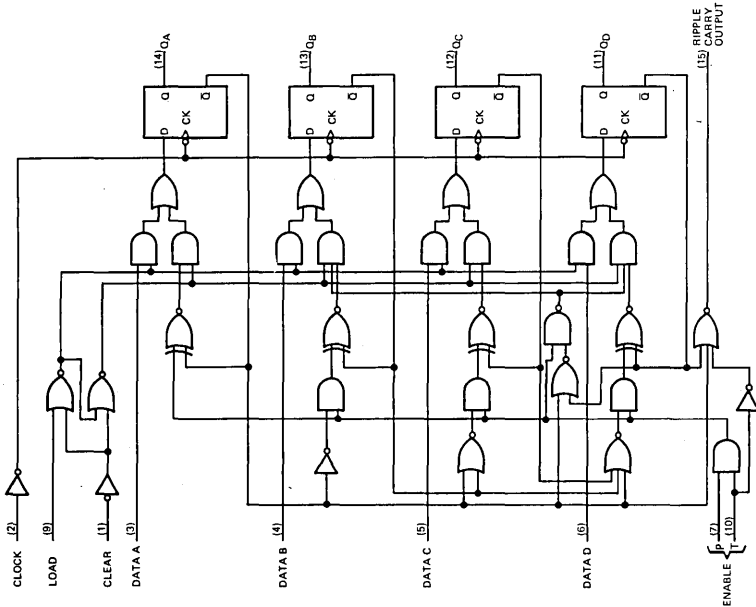
REVISED OCTOBER 1976

functional block diagrams

SN54S163, SN74S163 SYNCHRONOUS BINARY COUNTERS



SN54S162, SN74S162 SYNCHRONOUS DECADE COUNTERS



7

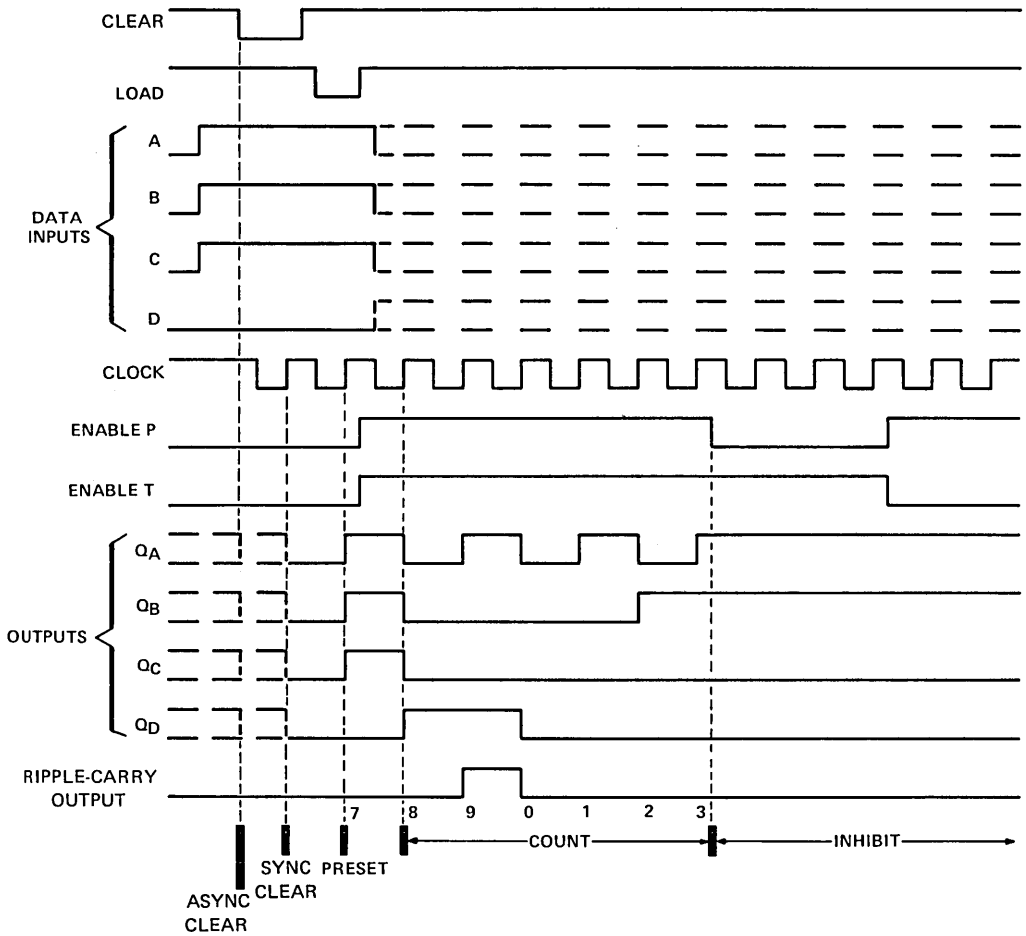
**TYPES SN54160, SN54162, SN54LS160A, SN54LS162A, SN54S162, SN74160, SN74162, SN74LS160A, SN74LS162A, SN74S162 SYNCHRONOUS 4-BIT COUNTERS**

**'160, '162, 'LS160A, 'LS162A, 'S162 DECADE COUNTERS**

typical clear, preset, count, and inhibit sequences

Illustrated below is the following sequence:

1. Clear outputs to zero ('160 and 'LS160A are asynchronous; '162, 'LS162A, and 'S162 are synchronous)
2. Preset to BCD seven
3. Count to eight, nine, zero, one, two, and three
4. Inhibit



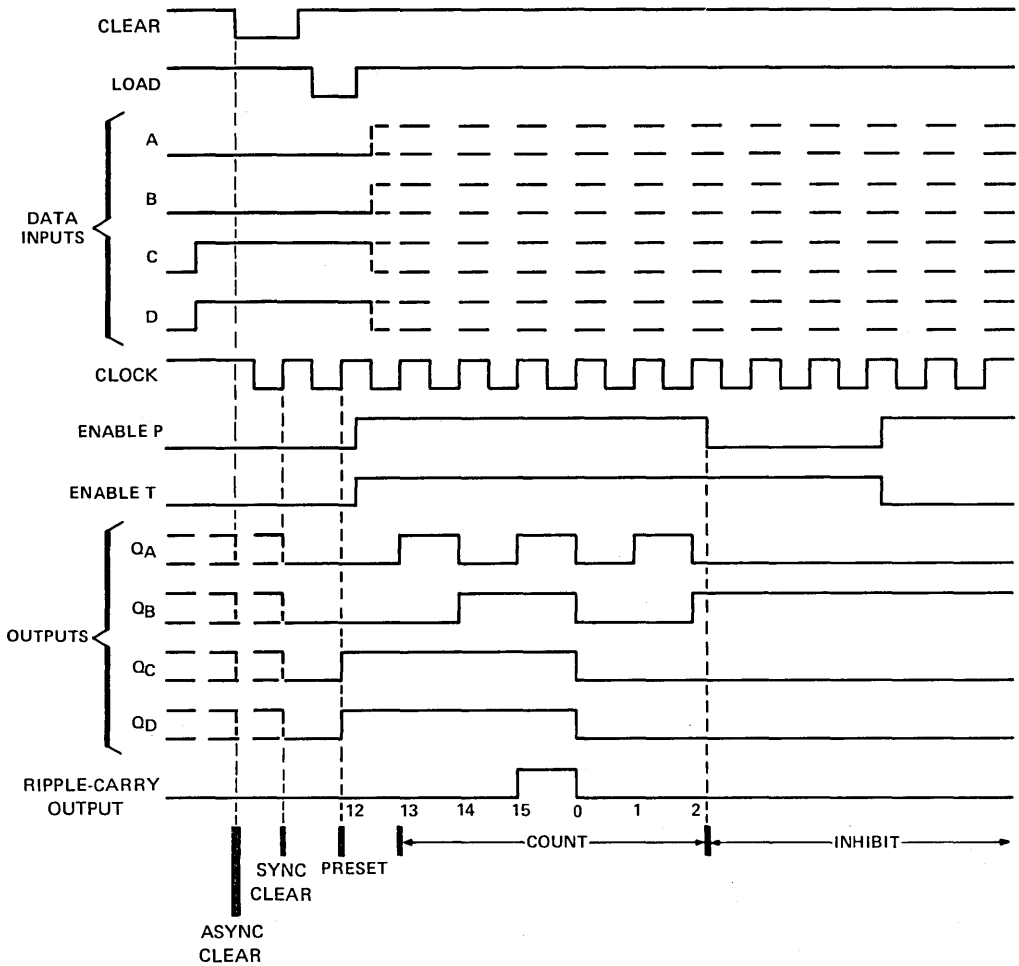
# TYPES SN54161, SN54163, SN54LS161A, SN54LS163A, SN54S163, SN74161, SN74163, SN74LS161A, SN74LS163A, SN74S163 SYNCHRONOUS 4-BIT COUNTERS

'161, 'LS161A, '163, 'LS163A, 'S163 BINARY COUNTERS

typical clear, preset, count, and inhibit sequences

Illustrated below is the following sequence:

1. Clear outputs to zero ('161 and 'LS161A are asynchronous; '163, 'LS163A, and 'S163 are synchronous)
2. Preset to binary twelve
3. Count to thirteen, fourteen fifteen, zero, one, and two
4. Inhibit

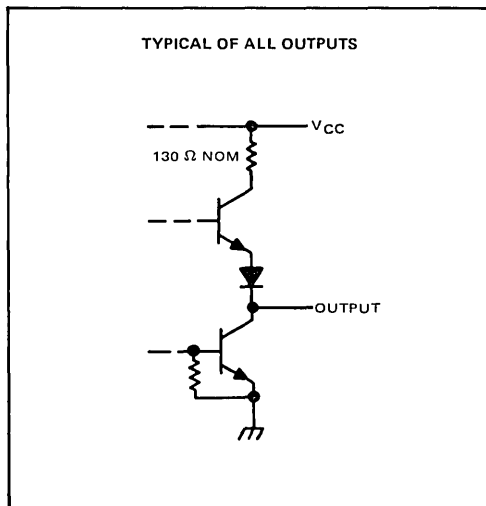
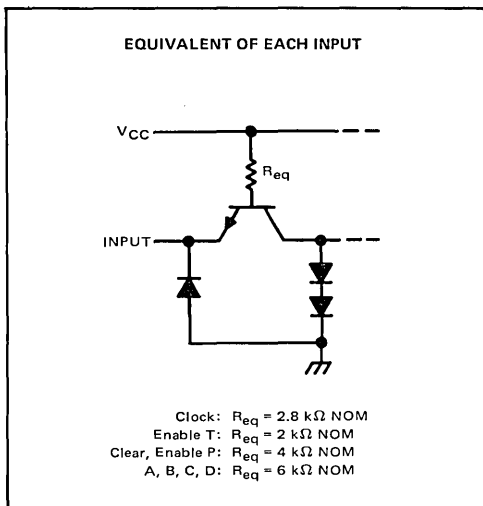


7

# TYPES SN54160 THRU SN54163, SN74160 THRU SN74163

## SYNCHRONOUS 4-BIT COUNTERS

schematics of inputs and outputs



### absolute maximum ratings over operating free-air temperature range (unless otherwise noted)

Supply voltage, $V_{CC}$ (see Note 1)	7 V
Input voltage	5.5 V
Intermitter voltage (see Note 2)	5.5 V
Operating free-air temperature range: SN54' Circuits	-55°C to 125°C
SN74' Circuits	0°C to 70°C
Storage temperature range	-65°C to 150°C

- NOTES: 1. Voltage values, except intermitter voltage, are with respect to network ground terminal.  
 2. This is the voltage between two emitters of a multiple-emitter transistor. For these circuits, this rating applies between the count enable inputs P and T.

### recommended operating conditions

	SN54160, SN54161			SN74160, SN74161			UNIT
	MIN	NOM	MAX	MIN	NOM	MAX	
Supply voltage, $V_{CC}$	4.5	5	5.5	4.75	5	5.25	V
High-level output current, $I_{OH}$	-800			-800			$\mu\text{A}$
Low-level output current, $I_{OL}$	16			16			mA
Clock frequency, $f_{\text{clock}}$	0	25		0	25		MHz
Width of clock pulse, $t_w(\text{clock})$	25			25			ns
Width of clear pulse, $t_w(\text{clear})$	20			20			ns
Setup time, $t_{su}$ (see Figures 1 and 2)	Data inputs A, B, C, D	20			ns		
	Enable P	20					
	Load	25					
	Clear <sup>o</sup>	20					
Hold time at any input, $t_h$	0			0			ns
Operating free-air temperature, $T_A$	-55	125		0	70		°C

<sup>o</sup>This applies only for '162 and '163, which have synchronous clear inputs.

# TYPES SN54160 THRU SN54163, SN74160 THRU SN74163 SYNCHRONOUS 4-BIT COUNTERS

electrical characteristics over recommended operating free-air temperature range (unless otherwise noted)

PARAMETER		TEST CONDITIONS†	SN54160, SN54161 SN54162, SN54163			SN74160, SN74161 SN74162, SN74163			UNIT
			MIN	TYP‡	MAX	MIN	TYP‡	MAX	
V <sub>IH</sub>	High-level input voltage		2			2			V
V <sub>IL</sub>	Low-level input voltage		0.8			0.8			V
V <sub>IK</sub>	Input clamp voltage	V <sub>CC</sub> = MIN, I <sub>I</sub> = -12 mA	-1.5			-1.5			V
V <sub>OH</sub>	High-level output voltage	V <sub>CC</sub> = MIN, V <sub>IH</sub> = 2 V, V <sub>IL</sub> = 0.8 V, I <sub>OH</sub> = -800 μA	2.4	3.4		2.4	3.4		V
V <sub>OL</sub>	Low-level output voltage	V <sub>CC</sub> = MIN, V <sub>IH</sub> = 2 V, V <sub>IL</sub> = 0.8 V, I <sub>OL</sub> = 16 mA	0.2	0.4		0.2	0.4		V
I <sub>I</sub>	Input current at maximum input voltage	V <sub>CC</sub> = MAX, V <sub>I</sub> = 5.5 V	1			1			mA
I <sub>IH</sub>	High-level input current	Clock or enable T	80			80			μA
		Other inputs	40			40			
I <sub>IL</sub>	Low-level input current	Clock or enable T	-3.2			-3.2			mA
		Other inputs	-1.6			-1.6			
I <sub>OS</sub>	Short-circuit output current §	V <sub>CC</sub> = MAX	-20	-57		-18	-57		mA
I <sub>CCH</sub>	Supply current, all outputs high	V <sub>CC</sub> = MAX, See Note 3	59	85		59	94		mA
I <sub>CCL</sub>	Supply current, all outputs low	V <sub>CC</sub> = MAX, See Note 4	63	91		63	101		mA

† For conditions shown as MIN or MAX, use the appropriate value specified under recommended operating conditions.

‡ All typical values are at V<sub>CC</sub> = 5 V, T<sub>A</sub> = 25°C.

§ Not more than one output should be shorted at a time.

NOTES: 3. I<sub>CCH</sub> is measured with the load input high, then again with the load input low, with all other inputs high and all outputs open.

4. I<sub>CCL</sub> is measured with the clock input high, then again with the clock input low, with all other inputs low and all outputs open.

## switching characteristics, V<sub>CC</sub> = 5 V, T<sub>A</sub> = 25°C

PARAMETER¶	FROM (INPUT)	TO (OUTPUT)	TEST CONDITIONS	MIN	TYP	MAX	UNIT
f <sub>max</sub>			C <sub>L</sub> = 15 pF, R <sub>L</sub> = 400 Ω, See Figures 1 and 2 and Notes 5 and 6	25	32		ns
t <sub>PLH</sub>	Clock	Ripple carry		23	35		ns
t <sub>PHL</sub>		Any		23	35		
t <sub>PLH</sub>	Clock (load input high)	Any		13	20		ns
t <sub>PHL</sub>		Q		15	23		
t <sub>PLH</sub>	Clock (load input low)	Any		17	25		ns
t <sub>PHL</sub>		Q		19	29		
t <sub>PLH</sub>	Enable T	Ripple carry		11	16		ns
t <sub>PHL</sub>		Any Q		11	16		
t <sub>PHL</sub>	Clear	Any Q		26	38		ns

¶ f<sub>max</sub> ≡ Maximum clock frequency

t<sub>PLH</sub> ≡ propagation delay time, low-to-high-level output

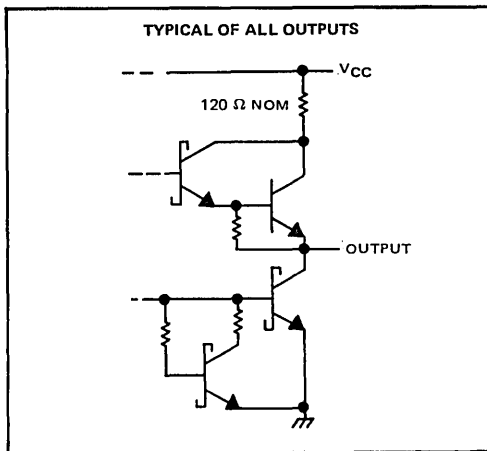
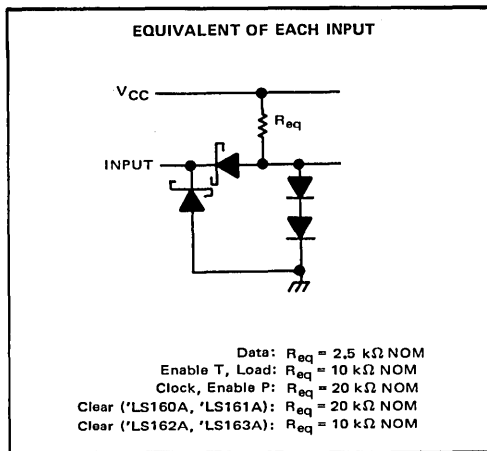
t<sub>PHL</sub> ≡ propagation delay time, high-to-low-level output

NOTES: 5. Load circuit is shown on page 3-10.

6. Propagation delay for clearing is measured from the clear input for the '160 and '161 or from the clock input transition for the '162 and '163.

# TYPES SN54LS160A, THRU SN54LS163A, SN74LS160A, THRU SN74LS163A, SYNCHRONOUS 4-BIT COUNTERS

## schematics of inputs and outputs



### absolute maximum ratings over operating free-air temperature range (unless otherwise noted)

Supply voltage, $V_{CC}$ (see Note 7)	7 V
Input voltage	7 V
Operating free-air temperature range: SN54LS' Circuits	$-55^{\circ}\text{C}$ to $125^{\circ}\text{C}$
SN74LS' Circuits	$0^{\circ}\text{C}$ to $70^{\circ}\text{C}$
Storage temperature range	$-65^{\circ}\text{C}$ to $150^{\circ}\text{C}$

NOTE 7: Voltage values are with respect to network ground terminal.

## 7 recommended operating conditions

	SN54LS'			SN74LS'			UNIT
	MIN	NOM	MAX	MIN	NOM	MAX	
Supply voltage, $V_{CC}$	4.5	5	5.5	4.75	5	5.25	V
High-level output current, $I_{OH}$			-400			-400	$\mu\text{A}$
Low-level output current, $I_{OL}$			4			8	mA
Clock frequency, $f_{clock}$	0		25	0		25	MHz
Width of clock pulse, $t_w(\text{clock})$	25			25			ns
Width of clear pulse, $t_w(\text{clear})$	20			20			ns
Setup time, $t_{su}$ (see Figures 1 and 2)	Data inputs A, B, C, D	20		20			ns
	Enable P or T	20		20			
	Load	20		20			
	Clear <sup>o</sup>	20		20			
Hold time at any input, $t_h$	0			0			ns
Operating free-air temperature, $T_A$	-55		125	0		70	$^{\circ}\text{C}$

<sup>o</sup> This applies only for 'LS162 and 'LS163, which have synchronous clear inputs.

# TYPES SN54LS160A THRU SN54LS163A, SN74LS160A THRU SN74LS163A SYNCHRONOUS 4-BIT COUNTERS

electrical characteristics over recommended operating free-air temperature range (unless otherwise noted)

PARAMETER		TEST CONDITIONS†	SN54LS*			SN74LS*			UNIT		
			MIN	TYP‡	MAX	MIN	TYP‡	MAX			
V <sub>IH</sub>	High-level input voltage		2			2			V		
V <sub>IL</sub>	Low-level input voltage		0.7			0.8			V		
V <sub>IK</sub>	Input clamp voltage	V <sub>CC</sub> = MIN, I <sub>I</sub> = -18 mA	-1.5			-1.5			V		
V <sub>OH</sub>	High-level output voltage	V <sub>CC</sub> = MIN, V <sub>IH</sub> = 2 V, V <sub>IL</sub> = V <sub>IL</sub> max, I <sub>OH</sub> = -400 μA	2.5	3.4		2.7	3.4		V		
V <sub>OL</sub>	Low-level output voltage	V <sub>CC</sub> = MIN, V <sub>IH</sub> = 2 V, V <sub>IL</sub> = V <sub>IL</sub> max	I <sub>OL</sub> = 4 mA			I <sub>OL</sub> = 8 mA			V		
I <sub>I</sub>	Input current at maximum input voltage	Data or enable P	V <sub>CC</sub> = MAX, V <sub>I</sub> = 7 V			0.1			0.1	mA	
		Load, clock, or enable T				0.2			0.2		
		Clear ('LS160A, 'LS161A)				0.1			0.1		
		Clear ('LS162A, 'LS163A)				0.2			0.2		
I <sub>IH</sub>	High-level input current	Data or enable P	V <sub>CC</sub> = MAX, V <sub>I</sub> = 2.7 V			20			20	μA	
		Load, clock, or enable T				40			40		
		Clear ('LS160A, 'LS161A)				20			20		
		Clear ('LS162A, 'LS163A)				40			40		
I <sub>IL</sub>	Low-level input current	Data or enable P	V <sub>CC</sub> = MAX, V <sub>I</sub> = 0.4 V			-0.4			-0.4	mA	
		Load, clock, or enable T				-0.8			-0.8		
		Clear ('LS160A, 'LS161A)				-0.4			-0.4		
		Clear ('LS162A, 'LS163A)				-0.8			-0.8		
I <sub>OS</sub>	Short-circuit output current§	V <sub>CC</sub> = MAX	-20			-100			-20	-100	mA
I <sub>CCH</sub>	Supply current, all outputs high	V <sub>CC</sub> = MAX, See Note 3	18			31			18	31	mA
I <sub>CCL</sub>	Supply current, all outputs low	V <sub>CC</sub> = MAX, See Note 4	19			32			19	32	mA

†For conditions shown as MIN or MAX, use the appropriate value specified under recommended operating conditions.

‡All typical values are at V<sub>CC</sub> = 5 V, T<sub>A</sub> = 25°C.

§Not more than one output should be shorted at a time, and duration of the short-circuit should not exceed one second.

NOTES: 3. I<sub>CCH</sub> is measured with the load input high, then again with the load input low, with all other inputs high and all outputs open.

4. I<sub>CCL</sub> is measured with the clock input high, then again with the clock input low, with all other inputs low and all outputs open.

switching characteristics, V<sub>CC</sub> = 5 V, T<sub>A</sub> = 25°C

PARAMETER¶	FROM (INPUT)	TO (OUTPUT)	TEST CONDITIONS	MIN	TYP	MAX	UNIT	
f <sub>max</sub>			C <sub>L</sub> = 15 pF, R <sub>L</sub> = 2 kΩ, See Figures 1 and 2 and Notes 8 and 9	25	32		MHz	
t <sub>PLH</sub>	Clock	Ripple			20	35		ns
t <sub>PHL</sub>		carry			18	35		
t <sub>PLH</sub>	Clock (load input high)	Any			13	24		ns
t <sub>PHL</sub>		Q			18	27		
t <sub>PLH</sub>	Clock (load input low)	Any			13	24		ns
t <sub>PHL</sub>		Q			18	27		
t <sub>PLH</sub>	Enable T	Ripple			9	14		ns
t <sub>PHL</sub>		carry			9	14		
t <sub>PHL</sub>	Clear	Any Q			20	28		ns†

¶f<sub>max</sub> ≡ Maximum clock frequency

t<sub>PLH</sub> ≡ propagation delay time, low-to-high-level output.

t<sub>PHL</sub> ≡ propagation delay time, high-to-low-level output.

NOTES: 8. Load circuit is shown on page 3-11.

9. Propagation delay for clearing is measured from the clear input for the 'LS160A and 'LS161A or from the clock transition for the 'LS162A and 'LS163A.

7

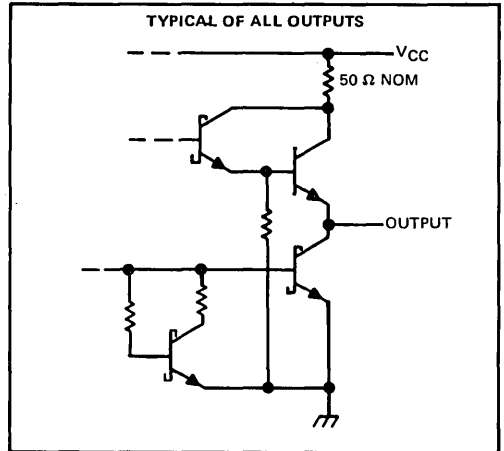
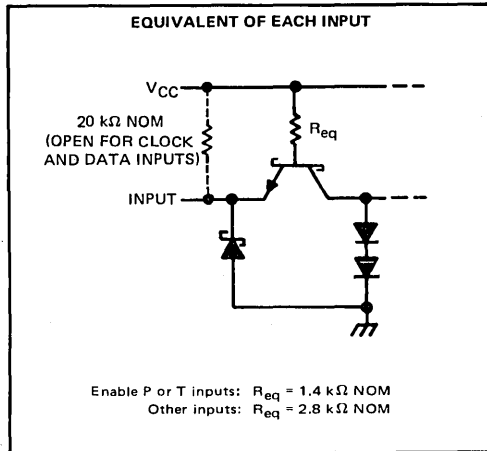


# TYPES SN54S162, SN54S163, SN74S162, SN74S163

## SYNCHRONOUS 4-BIT COUNTERS

REVISED DECEMBER 1980

### schematics of inputs and outputs



### absolute maximum ratings over operating free-air temperature range (unless otherwise noted)

Supply voltage, $V_{CC}$ (see Note 1)	7 V
Input voltage	5.5 V
Interemitter voltage (see Note 2)	5.5 V
Operating free-air temperature range: SN54S162, SN54S163 (see Note 10)	-55°C to 125°C
SN74S162, SN74S163	0°C to 70°C
Storage temperature range	-65°C to 150°C

### recommended operating conditions

	SN54S162, SN54S163			SN74S162, SN74S163			UNIT
	MIN	NOM	MAX	MIN	NOM	MAX	
Supply voltage, $V_{CC}$	4.5	5	5.5	4.75	5	5.25	V
High-level output current, $I_{OH}$			-1			-1	mA
Low-level output current, $I_{OL}$			20			20	mA
Clock frequency, $f_{clock}$	0		40	0		40	MHz
Width of clock pulse, $t_{w(clock)}$ (high or low)	10			10			ns
Width of clear pulse, $t_{w(clear)}$	10			10			ns
Setup time, $t_{SU}$ (see Figure 4)	Data inputs, A, B, C, D	4		4			ns
	Enable P or T	12		12			
	Load	14		14			
	Clear	14		14			
	Clear inactive-state	12		12			
Release time, $t_{release}$ (see Figure 4)	Enable P or T		4			4	ns
	Data inputs A, B, C, D	3		3			ns
Hold time, $t_H$ (see Figure 4)	Load	0		0			
	Clear	0		0			
	Clear inactive-state	0		0			
Operating free-air temperature, $T_A$ (see Note 10)	-55		125	0		70	°C

- NOTES: 1. Voltage values, except interemitter voltage, are with respect to network ground terminal.  
2. This is the voltage between two emitters of a multiple-emitter transistor. For these circuits, this rating applies between the count enable inputs P and T.  
10. An SN54S162 or SN54S163 in the W package operating at free air temperatures above 91°C requires a heat sink that provides a thermal resistance from case to free-air,  $R_{\theta CA}$ , of not more than 26°C/W.

# TYPES SN54S162, SN54S163, SN74S162, SN74S163

## SYNCHRONOUS 4-BIT COUNTERS

REVISED DECEMBER 1980

electrical characteristics over recommended operating free-air temperature range (unless otherwise noted)

PARAMETER	TEST CONDITIONS†	SN54S162		SN74S162		UNIT
		SN54S163		SN74S163		
V <sub>IH</sub> High-level input voltage		2		2		V
V <sub>IL</sub> Low-level input voltage			0.8		0.8	V
V <sub>IK</sub> Input clamp voltage	V <sub>CC</sub> = MIN, I <sub>I</sub> = -18 mA		-1.2		-1.2	V
V <sub>OH</sub> High-level output voltage	V <sub>CC</sub> = MIN, V <sub>IH</sub> = 2 V, V <sub>IL</sub> = 0.8 V, I <sub>OH</sub> = -1 mA	2.5	3.4	2.7	3.4	V
V <sub>OL</sub> Low-level output voltage	V <sub>CC</sub> = MIN, V <sub>IH</sub> = 2 V, V <sub>IL</sub> = 0.8 V, I <sub>OL</sub> = 20 mA		0.5		0.5	V
I <sub>I</sub> Input current at maximum input voltage	V <sub>CC</sub> = MAX, V <sub>I</sub> = 5.5 V		1		1	mA
I <sub>IH</sub> High-level input current	Clock and data inputs		50		50	μA
	Other inputs	V <sub>CC</sub> = MAX, V <sub>I</sub> = 2.7 V	-10	-200	-10	
I <sub>IL</sub> Low-level input current	Enable T		-4		-4	mA
	Other inputs	V <sub>CC</sub> = MAX, V <sub>I</sub> = 0.5 V		-2		
I <sub>OS</sub> Short-circuit output current‡	V <sub>CC</sub> = MAX	-40	-100	-40	-100	mA
I <sub>CC</sub> Supply current	V <sub>CC</sub> = MAX	95	160	95	160	mA

† For conditions shown as MIN or MAX, use the appropriate value specified under recommended operating conditions.

‡ All typical values are at V<sub>CC</sub> = 5 V, T<sub>A</sub> = 25°C.

§ Not more than one output should be shorted at a time, and duration of the short-circuit should not exceed one second.

switching characteristics, V<sub>CC</sub> = 5 V, T<sub>A</sub> = 25°C

PARAMETER†	FROM (INPUT)	TO (OUTPUT)	TEST CONDITIONS			UNIT
f <sub>max</sub>			MIN	TYP	MAX	MHz
t <sub>PLH</sub>	Clock	Ripple carry	40	70		ns
t <sub>PHL</sub>				14	25	
t <sub>PLH</sub>	Clock	Any Q	17	25		ns
t <sub>PHL</sub>				8	15	
t <sub>PLH</sub>	Enable T	Ripple carry	10	15		ns
t <sub>PHL</sub>				10	15	

C<sub>L</sub> = 15 pF,  
R<sub>L</sub> = 280 Ω,  
See Figures 1, 3, and 4 and  
Note 5

† f<sub>max</sub> ≡ maximum clock frequency

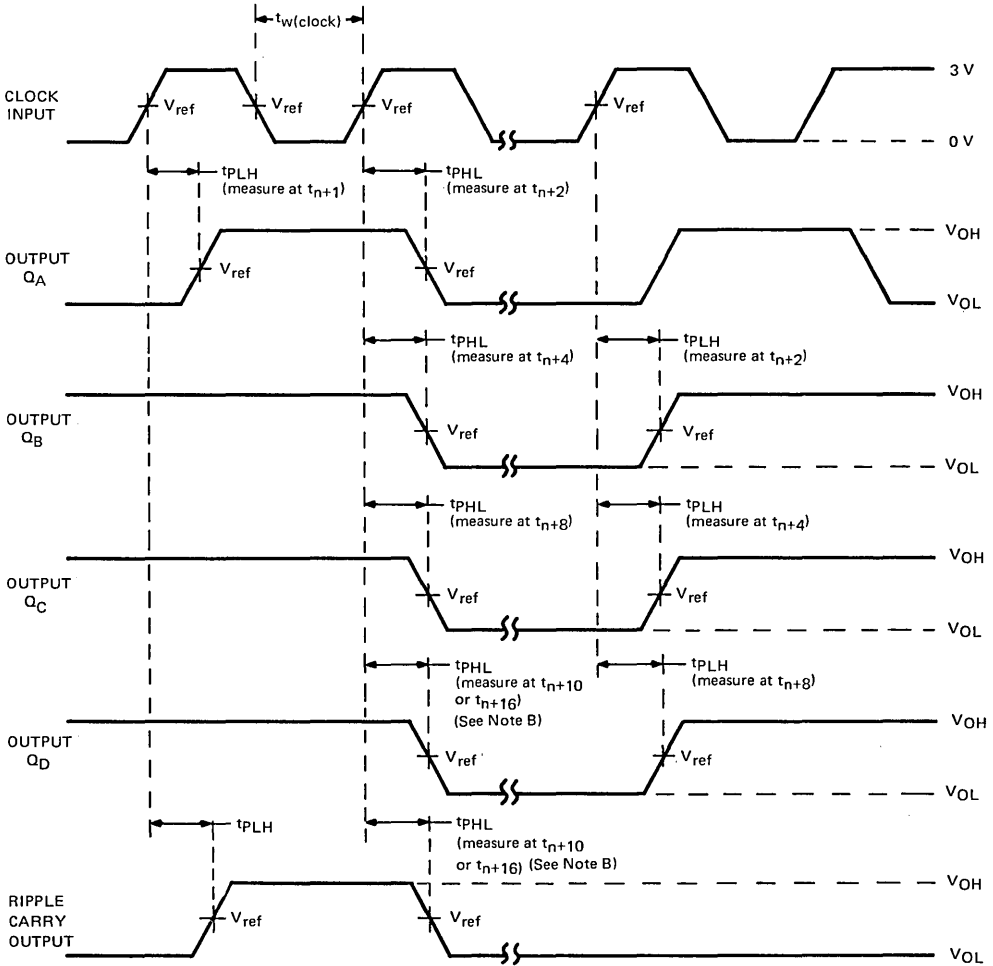
t<sub>PLH</sub> ≡ propagation delay time, low-to-high-level output

t<sub>PHL</sub> ≡ propagation delay time, high-to-low-level output

NOTE 5: Load circuit is shown on page 3-10.

**TYPES SN54160 THRU SN54163, SN54LS160A, THRU SN54LS163A, SN54S162, SN54S163, SN74160 THRU SN74163, SN74LS160A THRU SN74LS163A, SN74S162, SN74S163 SYNCHRONOUS 4-BIT COUNTERS**

**PARAMETER MEASUREMENT INFORMATION**

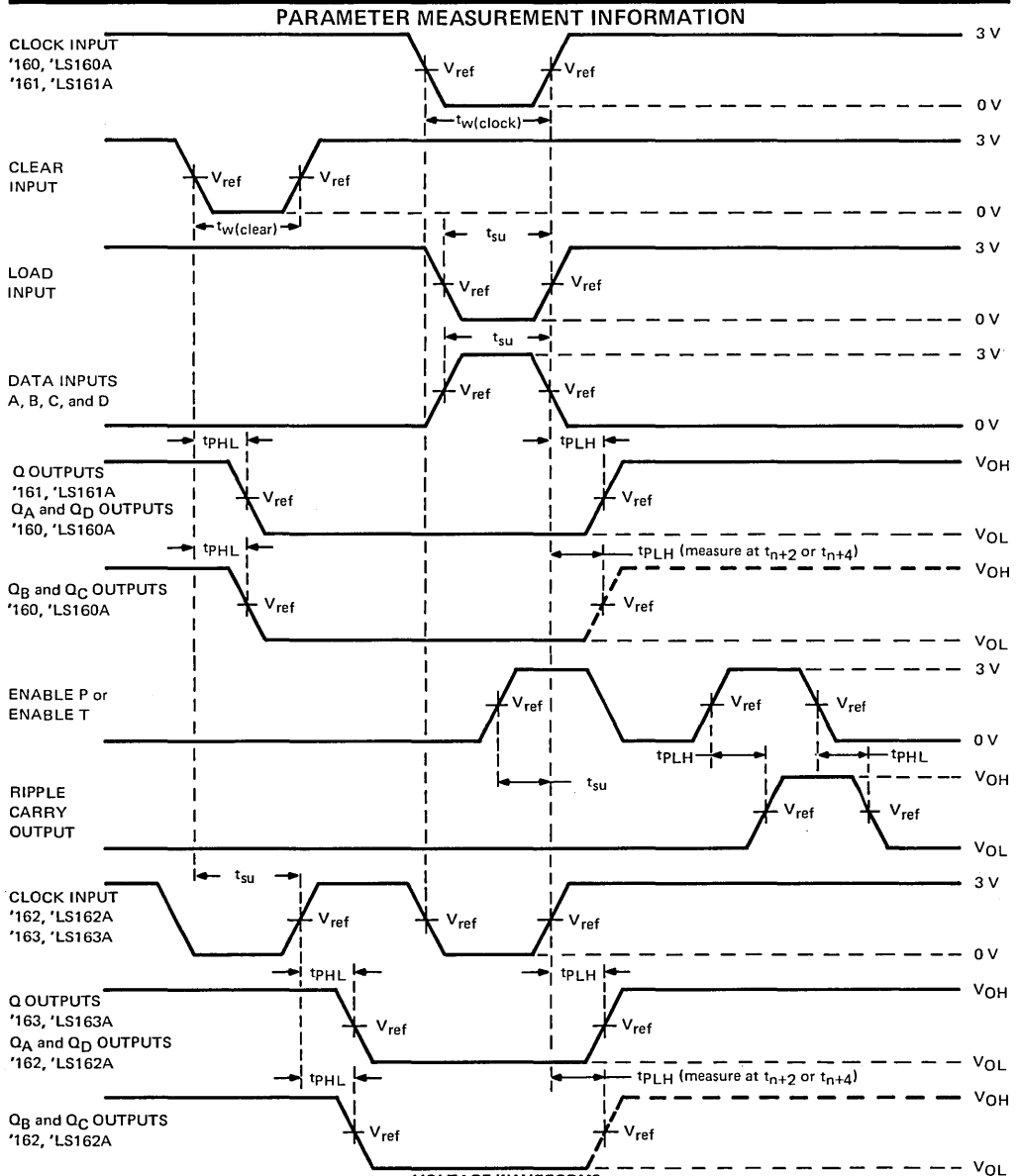


**VOLTAGE WAVEFORMS**

- NOTES:**
- A. The input pulses are supplied by a generator having the following characteristics: PRR  $\leq$  1 MHz, duty cycle  $\leq$  50%,  $Z_{out} \approx 50 \Omega$ ; for '160 thru '163,  $t_r \leq 10$  ns,  $t_f \leq 10$  ns; for 'LS160A thru 'LS163A,  $t_r \leq 15$  ns,  $t_f \leq 6$  ns; and for 'S162, 'S163,  $t_r \leq 2.5$  ns,  $t_f \leq 2.5$  ns. Vary PRR to measure  $f_{max}$ .
  - B. Outputs  $Q_D$  and carry are tested at  $t_{n+10}$  for '160, '162, 'LS160A, 'LS162A, and 'S162, and at  $t_{n+16}$  for '161, '163, 'LS161A, 'LS163A, and 'S163, where  $t_n$  is the bit time when all outputs are low.
  - C. For '160 thru '163, 'S162, and 'S163,  $V_{ref} = 1.5$  V; for 'LS160A thru 'LS163A,  $V_{ref} = 1.3$  V.

**FIGURE 1—SWITCHING TIMES**

# TYPES SN54160 THRU SN54163, SN54LS160A THRU SN54LS163A, SN74160 THRU SN74163, SN74LS160A THRU SN74LS163A SYNCHRONOUS 4-BIT COUNTERS



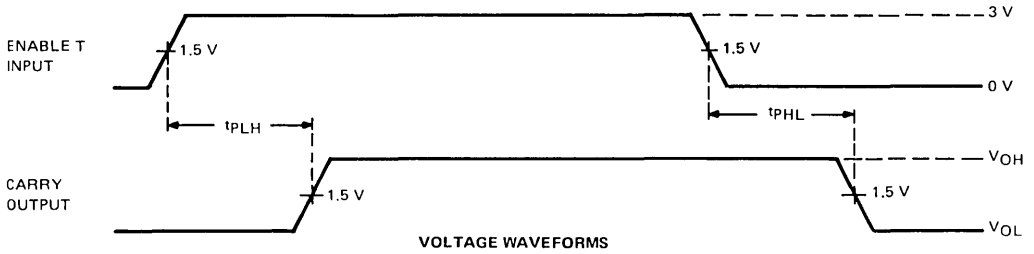
- NOTES: A. The input pulses are supplied by generators having the following characteristics: PRR  $\leq$  1 MHz, duty cycle  $\leq$  50%,  $Z_{OUT} \approx 50 \Omega$ ; for '160 thru '163,  $t_r \leq 10$  ns,  $t_f \leq 10$  ns; and for 'LS160A thru 'LS163A,  $t_r \leq 15$  ns,  $t_f \leq 6$  ns.  
 B. Enable P and enable T setup times are measured at  $t_{n+0}$ .  
 C. For '160 thru '163,  $V_{ref} = 1.5$  V; for 'LS160A thru 'LS163A,  $V_{ref} = 1.3$  V.

FIGURE 2—SWITCHING TIMES

# TYPES SN54S162, SN54S163, SN74S162, SN74S163

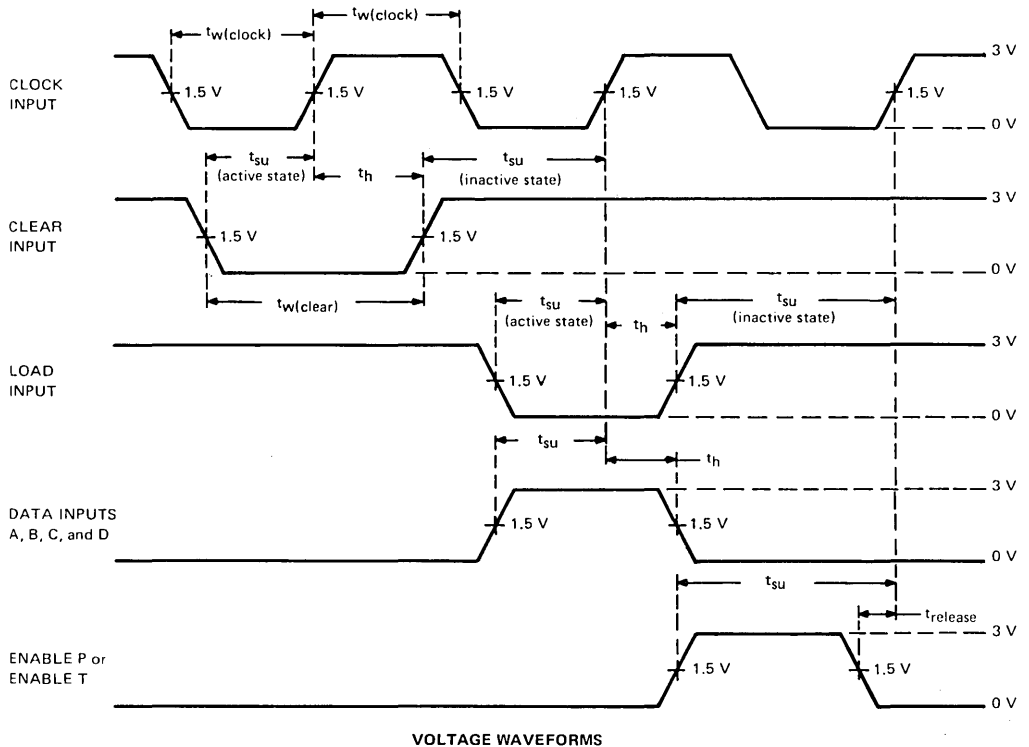
## SYNCHRONOUS 4-BIT COUNTERS

### PARAMETER MEASUREMENT INFORMATION



- NOTES: A. The input pulse is supplied by a generator having the following characteristics:  $t_r \leq 2.5$  ns,  $t_f \leq 2.5$  ns, PRR  $\leq 1$  MHz, duty cycle  $\leq 50\%$ ,  $Z_{out} \approx 50 \Omega$ .  
 B.  $t_{PLH}$  and  $t_{PHL}$  from enable T input to carry output assume that the counter is at the maximum count ( $Q_A$  and  $Q_D$  high for 'S162, all Q outputs high for 'S163).

FIGURE 3—PROPAGATION DELAY TIMES FROM ENABLE T INPUT TO CARRY OUTPUT

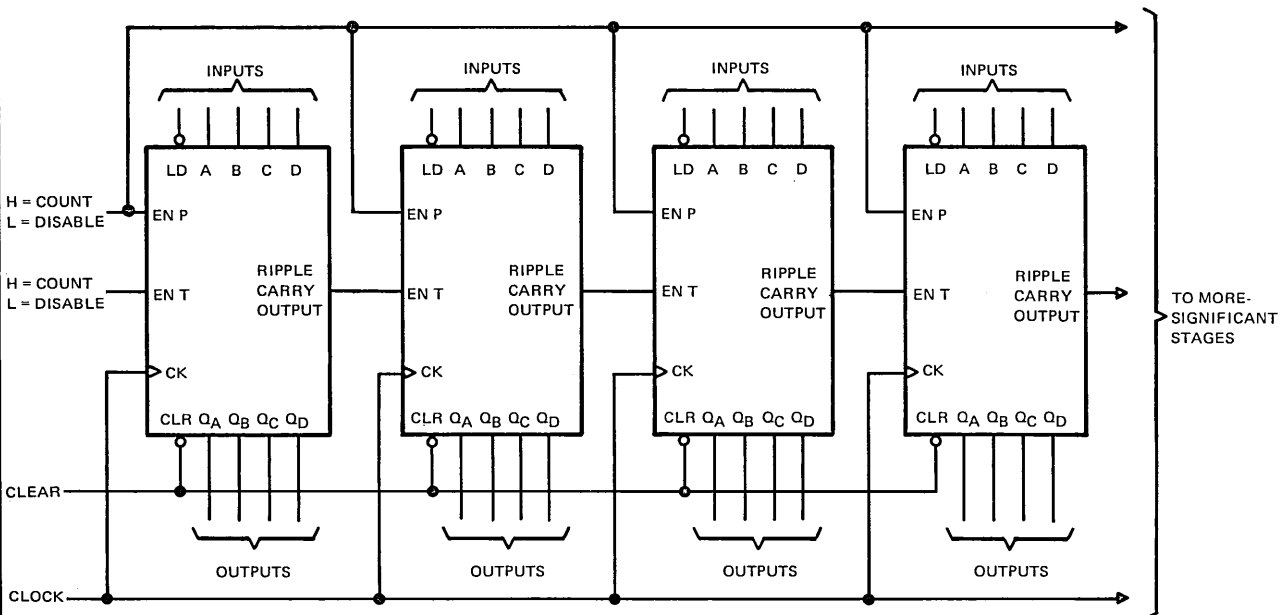


- NOTE A: The input pulses are supplied by generators having the following characteristics:  $t_r \leq 2.5$  ns,  $t_f \leq 2.5$  ns, PRR  $\leq 1$  MHz, duty cycle  $\leq 50\%$ ,  $Z_{out} \approx 50 \Omega$ .

FIGURE 4—PULSE WIDTHS, SETUP TIMES, HOLD TIMES, AND RELEASE TIME

## N-BIT SYNCHRONOUS COUNTERS

This application demonstrates how the look-ahead carry circuit can be used to implement a high-speed n-bit counter. The '160, '162, 'LS160A, 'LS162A, or 'S162 will count in BCD and the '161, '163, 'LS161A, 'LS163A or 'S163 will count in binary. Virtually any count mode (modulo-N,  $N_1$ -to- $N_2$ ,  $N_1$ -to-maximum) can be used with this fast look-ahead circuit.



TYPICAL APPLICATION DATA

TYPES SN54160 THRU SN54163, SN54LS160A THRU SN54LS163A,  
SN54S162, SN54S163, SN74160 THRU SN74163,  
SN74LS160A THRU SN74LS163A, SN74S162, SN74S163  
SYNCHRONOUS 4-BIT COUNTERS

# TTL TYPES SN54164, SN54L164, SN54LS164, SN74164, SN74L164, SN74LS164 MSI 8-BIT PARALLEL-OUT SERIAL SHIFT REGISTERS

BULLETIN NO. DL-S 7611835, MARCH 1974—REVISED OCTOBER 1976

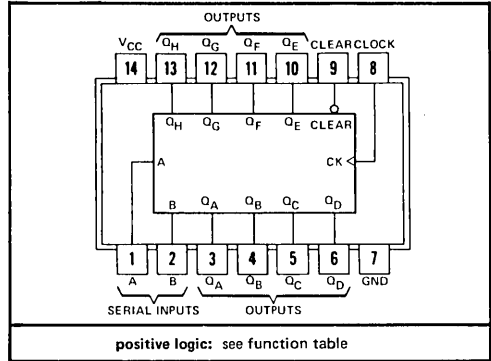
- Gated (Enable/Disable) Serial Inputs
- Fully Buffered Clock and Serial Inputs
- Asynchronous Clear

SN54164, SN54LS164 ... J OR W PACKAGE  
SN54L164, SN74L164 ... J, N, OR T PACKAGE  
SN74164, SN74LS164 ... J OR N PACKAGE  
(TOP VIEW)

TYPE	TYPICAL MAXIMUM CLOCK FREQUENCY	TYPICAL POWER DISSIPATION
'164	36 MHz	21 mW per bit
'L164	18 MHz	11 mW per bit
'LS164	36 MHz	10 mW per bit

### description

These 8-bit shift registers feature gated serial inputs and an asynchronous clear. The gated serial inputs (A and B) permit complete control over incoming data as a low at either (or both) input(s) inhibits entry of the new data and resets the first flip-flop to the low level at the next clock pulse. A high-level input enables the other input which will then determine the state of the first flip-flop. Data at the serial inputs may be changed while the clock is high or low, but only information meeting the setup requirements will be entered. Clocking occurs on the low-to-high-level transition of the clock input. All inputs are diode-clamped to minimize transmission-line effects.



positive logic: see function table

Series 54, 54L, and 54LS devices are characterized for operation over the full military temperature range of  $-55^{\circ}\text{C}$  to  $125^{\circ}\text{C}$ ; Series 74, 74L, and 74LS devices are characterized for operation from  $0^{\circ}\text{C}$  to  $70^{\circ}\text{C}$ .

### FUNCTION TABLE

INPUTS		OUTPUTS			
CLEAR	CLOCK	A	B	Q <sub>A</sub>	Q <sub>B</sub> ... Q <sub>H</sub>
L	X	X	X	L	L ... L
H	L	X	X	Q <sub>A0</sub>	Q <sub>B0</sub> ... Q <sub>H0</sub>
H	↑	H	H	H	Q <sub>AN</sub> ... Q <sub>GN</sub>
H	↑	L	X	L	Q <sub>AN</sub> ... Q <sub>GN</sub>
H	↑	X	L	L	Q <sub>AN</sub> ... Q <sub>GN</sub>

H = high level (steady state), L = low level (steady state)

X = irrelevant (any input, including transitions)

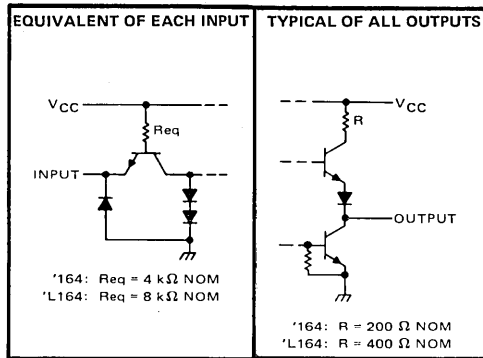
↑ = transition from low to high level.

Q<sub>A0</sub>, Q<sub>B0</sub>, Q<sub>H0</sub> = the level of Q<sub>A</sub>, Q<sub>B</sub>, or Q<sub>H</sub>, respectively, before the indicated steady-state input conditions were established.

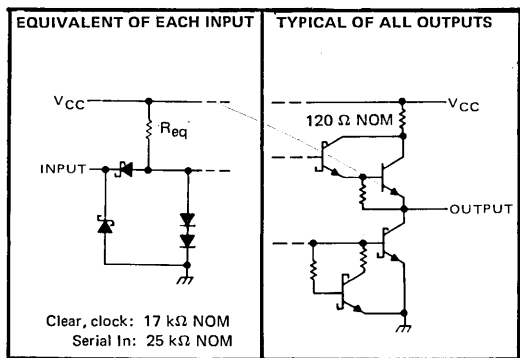
Q<sub>AN</sub>, Q<sub>GN</sub> = the level of Q<sub>A</sub> or Q<sub>G</sub> before the most-recent ↑ transition of the clock; indicates a one-bit shift.

### schematics of inputs and outputs

'164, 'L164



'LS164

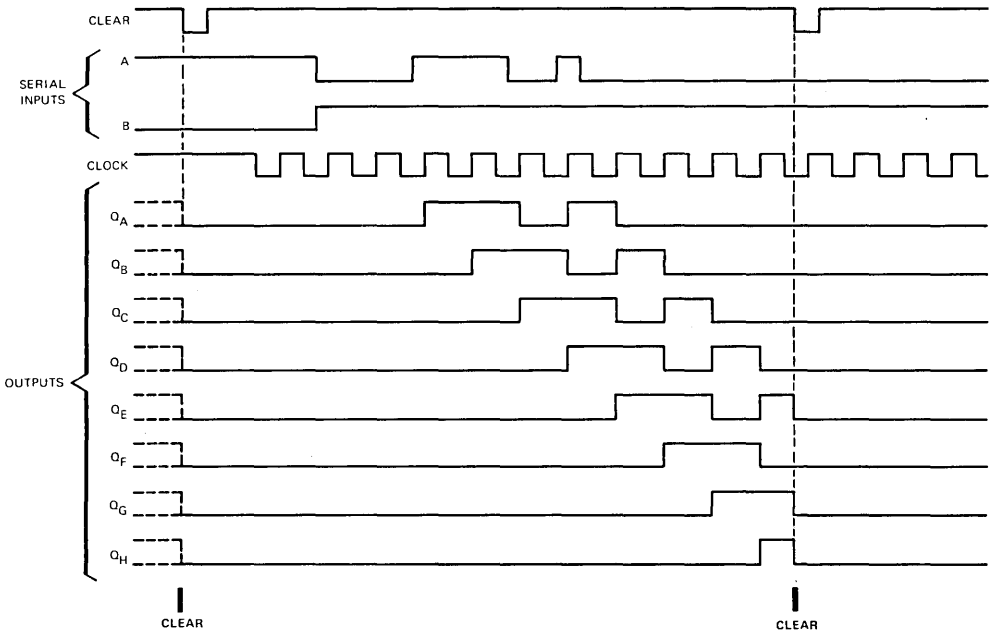


# TYPES SN54164, SN54L164, SN54LS164, SN74164, SN74L164, SN74LS164

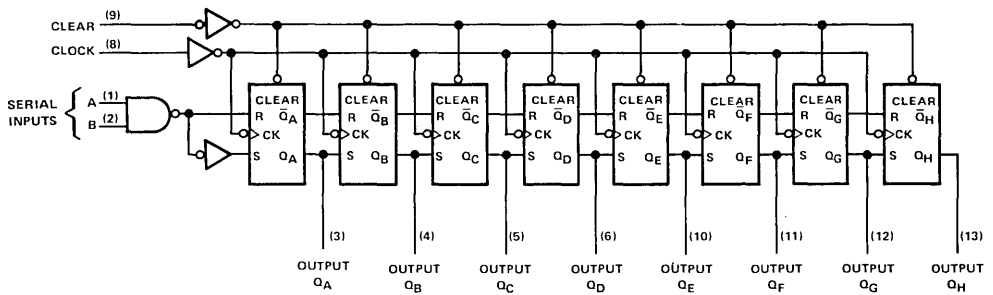
## 8-BIT PARALLEL-OUT SERIAL SHIFT REGISTERS

REVISED OCTOBER 1976

typical clear, shift, and clear sequences



functional block diagram



7



# TYPES SN54164, SN74164

## 8-BIT PARALLEL-OUT SERIAL SHIFT REGISTERS

absolute maximum ratings over operating free-air temperature range (unless otherwise noted)

Supply voltage, $V_{CC}$ (see Note 1)	7 V
Input voltage	5.5 V
Operating free-air temperature range: SN54164	-55°C to 125°C
SN74164	0°C to 70°C
Storage temperature range	-65°C to 150°C

NOTE 1: Voltage values are with respect to network ground terminal.

recommended operating conditions

	SN54164			SN74164			UNIT
	MIN	NOM	MAX	MIN	NOM	MAX	
Supply voltage, $V_{CC}$	4.5	5	5.5	4.75	5	5.25	V
High-level output current, $I_{OH}$			-400			-400	$\mu$ A
Low-level output current, $I_{OL}$			8			8	mA
Clock frequency, $f_{clock}$	0		25	0		25	MHz
Width of clock or clear input pulse, $t_w$	20			20			ns
Data setup time, $t_{SU}$ (see Figure 1)	15			15			ns
Data hold time, $t_h$ (see Figure 1)	5			5			ns
Operating free-air temperature, $T_A$	-55		125	0		70	°C

electrical characteristics over recommended operating free-air temperature range (unless otherwise noted)

PARAMETER	TEST CONDITIONS†	SN54164			SN74164			UNIT
		MIN	TYP‡	MAX	MIN	TYP‡	MAX	
$V_{IH}$ High-level input voltage		2			2			V
$V_{IL}$ Low-level input voltage				0.8			0.8	V
$V_{IK}$ Input clamp voltage	$V_{CC} = \text{MIN}, I_I = -12 \text{ mA}$			-1.5			-1.5	V
$V_{OH}$ High-level output voltage	$V_{CC} = \text{MIN}, V_{IH} = 2 \text{ V}, V_{IL} = 0.8 \text{ V}, I_{OH} = -400 \mu\text{A}$	2.4	3.2		2.4	3.2		V
$V_{OL}$ Low-level output voltage	$V_{CC} = \text{MIN}, V_{IH} = 2 \text{ V}, V_{IL} = 0.8 \text{ V}, I_{OL} = 8 \text{ mA}$		0.2	0.4		0.2	0.4	V
$I_I$ Input current at maximum input voltage	$V_{CC} = \text{MAX}, V_I = 5.5 \text{ V}$			1			1	mA
$I_{IH}$ High-level input current	$V_{CC} = \text{MAX}, V_I = 2.4 \text{ V}$			40			40	$\mu$ A
$I_{IL}$ Low-level input current	$V_{CC} = \text{MAX}, V_I = 0.4 \text{ V}$			-1.6			-1.6	mA
$I_{OS}$ Short-circuit output current§	$V_{CC} = \text{MAX}$	-10		-27.5	-9		-27.5	mA
$I_{CC}$ Supply current	$V_{CC} = \text{MAX}, V_{I(\text{clock})} = 0.4 \text{ V}$		30		30			mA
	See Note 2 $V_{I(\text{clock})} = 2.4 \text{ V}$		37	54		37	54	

† For conditions shown at MIN or MAX, use the appropriate value specified under recommended operating conditions.

‡ All typical values are at  $V_{CC} = 5 \text{ V}, T_A = 25^\circ \text{C}$ .

§ Not more than two outputs should be shorted at a time.

NOTE 2:  $I_{CC}$  is measured with outputs open, serial inputs grounded, and a momentary ground, then 4.5 V, applied to clear.

switching characteristics,  $V_{CC} = 5 \text{ V}, T_A = 25^\circ \text{C}$

PARAMETER	TEST CONDITIONS	MIN	TYP	MAX	UNIT	
$f_{max}$ Maximum clock frequency	$R_L = 800 \Omega,$ See Figure 1	$C_L = 15 \text{ pF}$	25	36	MHz	
$t_{PHL}$ Propagation delay time, high-to-low-level Q outputs from clear input		$C_L = 15 \text{ pF}$		24	36	ns
		$C_L = 50 \text{ pF}$		28	42	
$t_{PLH}$ Propagation delay time, low-to-high-level Q outputs from clock input		$C_L = 15 \text{ pF}$	8	17	27	ns
		$C_L = 50 \text{ pF}$	10	20	30	
$t_{PHL}$ Propagation delay time, high-to-low-level Q outputs from the clock input		$C_L = 15 \text{ pF}$	10	21	32	ns
	$C_L = 50 \text{ pF}$	10	25	37		

# TYPES SN54L164, SN74L164

## 8-BIT PARALLEL-OUT SERIAL SHIFT REGISTERS

absolute maximum ratings over operating free-air temperature range (unless otherwise noted)

Supply voltage, $V_{CC}$ (see Note 1)	7 V
Input voltage	5.5 V
Operating free-air temperature range: SN54L164	-55°C to 125°C
SN74L164	0°C to 70°C
Storage temperature range	-65°C to 150°C

NOTE 1: Voltage values are with respect to network ground terminal.

recommended operating conditions

	SN54L164			SN74L164			UNIT
	MIN	NOM	MAX	MIN	NOM	MAX	
Supply voltage, $V_{CC}$	4.5	5	5.5	4.75	5	5.25	V
High-level output current, $I_{OH}$			-200			-200	$\mu$ A
Low-level output current, $I_{OL}$			4			4	mA
Clock frequency, $f_{clock}$	0		12	0		12	MHz
Width of clock or clear input pulse, $t_w$	40			40			ns
Data setup time, $t_{SU}$ (see Figure 1)	30			30			ns
Data hold time, $t_H$ (see Figure 1)	10			10			ns
Operating free-air temperature, $T_A$	-55		125	0		70	°C

electrical characteristics over recommended operating free-air temperature range (unless otherwise noted)

PARAMETER	TEST CONDITIONS†	SN54L164			SN74L164			UNIT
		MIN	TYP‡	MAX	MIN	TYP‡	MAX	
$V_{IH}$ High-level input voltage		2			2			V
$V_{IL}$ Low-level input voltage				0.8			0.8	V
$V_{IK}$ Input clamp voltage	$V_{CC} = \text{MIN}, I_I = -12 \text{ mA}$			-1.5			-1.5	V
$V_{OH}$ High-level output voltage	$V_{CC} = \text{MIN}, V_{IH} = 2 \text{ V}, V_{IL} = 0.8 \text{ V}, I_{OH} = -200 \mu\text{A}$	2.4	3.2		2.4	3.2		V
$V_{OL}$ Low-level output voltage	$V_{CC} = \text{MIN}, V_{IH} = 2 \text{ V}, V_{IL} = 0.8 \text{ V}, I_{OL} = 4 \text{ mA}$		0.2	0.4		0.2	0.4	V
$I_I$ Input current at maximum input voltage	$V_{CC} = \text{MAX}, V_I = 5.5 \text{ V}$			1			1	mA
$I_{IH}$ High-level input current	$V_{CC} = \text{MAX}, V_I = 2.4 \text{ V}$			20			20	$\mu$ A
$I_{IL}$ Low-level input current	$V_{CC} = \text{MAX}, V_I = 0.4 \text{ V}$			-0.8			-0.8	mA
$I_{OS}$ Short-circuit output current§	$V_{CC} = \text{MAX}$	-5		-20	-4		-20	mA
$I_{CC}$ Supply current	$V_{CC} = \text{MAX}, \text{ See Note 3}$		19	27		19	27	mA

† For conditions shown at MIN or MAX, use the appropriate value specified under recommended operating conditions.

‡ All typical values are at  $V_{CC} = 5 \text{ V}, T_A = 25^\circ\text{C}$

§ Not more than two outputs should be shorted at a time.

NOTE 3:  $I_{CC}$  is measured with outputs open, serial inputs grounded, the clock input at 2.4 V, and a momentary ground, then 4.5 V, applied to clear.

switching characteristics,  $V_{CC} = 5 \text{ V}, T_A = 25^\circ\text{C}$

PARAMETER	TEST CONDITIONS	MIN	TYP	MAX	UNIT
$f_{max}$ Maximum clock frequency	$C_L = 15 \text{ pF}$	12	18		MHz
$t_{PHL}$ Propagation delay time, high-to-low-level Q outputs from clear input	$C_L = 15 \text{ pF}$		48	72	ns
$t_{PLH}$ Propagation delay time, low-to-high-level Q outputs from clock input	$C_L = 50 \text{ pF}$		56	84	ns
$t_{PLH}$ Propagation delay time, low-to-high-level Q outputs from clock input	$C_L = 15 \text{ pF}$	8	34	54	ns
$t_{PHL}$ Propagation delay time, high-to-low-level Q outputs from the clock input	$C_L = 50 \text{ pF}$	10	20	60	ns
$t_{PHL}$ Propagation delay time, high-to-low-level Q outputs from the clock input	$C_L = 15 \text{ pF}$	10	42	64	ns
$t_{PHL}$ Propagation delay time, high-to-low-level Q outputs from the clock input	$C_L = 50 \text{ pF}$	10	50	74	ns

7

# TYPES SN54LS164, SN74LS164

## 8-BIT PARALLEL-OUT SERIAL SHIFT REGISTERS

REVISED OCTOBER 1976

### absolute maximum ratings over operating free-air temperature range (unless otherwise noted)

Supply voltage, $V_{CC}$ (see Note 1)	7 V
Input voltage	7 V
Operating free-air temperature range: SN54LS164	-55°C to 125°C
SN74LS164	0°C to 70°C
Storage temperature range	-65°C to 150°C

NOTE 1: Voltage values are with respect to network ground terminal.

### recommended operating conditions

	SN54LS164			SN74LS164			UNIT
	MIN	NOM	MAX	MIN	NOM	MAX	
Supply voltage, $V_{CC}$	4.5	5	5.5	4.75	5	5.25	V
High-level output current, $I_{OH}$			-400			-400	$\mu$ A
Low-level output current, $I_{OL}$			4			8	mA
Clock frequency, $f_{clock}$	0		25	0		25	MHz
Width of clock or clear input pulse, $t_w$	20			20			ns
Data setup time, $t_{SU}$ (see Figure 1)	15			15			ns
Data hold time, $t_H$ (see Figure 1)	5			5			ns
Operating free-air temperature, $T_A$	-55		125	0		70	°C

### electrical characteristics over recommended operating free-air temperature range (unless otherwise noted)

PARAMETER	TEST CONDITIONS†	SN54LS164			SN74LS164			UNIT
		MIN	TYP‡	MAX	MIN	TYP‡	MAX	
$V_{IH}$ High-level input voltage		2			2			V
$V_{IL}$ Low-level input voltage				0.7			0.8	V
$V_{IK}$ Input clamp voltage	$V_{CC} = \text{MIN}, I_I = -18 \text{ mA}$			-1.5			-1.5	V
$V_{OH}$ High-level output voltage	$V_{CC} = \text{MIN}, V_{IH} = 2 \text{ V}, V_{IL} = V_{IL \text{ max}}, I_{OH} = -400 \mu\text{A}$	2.5	3.5		2.7	3.5		V
$V_{OL}$ Low-level output voltage	$V_{CC} = \text{MIN}, V_{IH} = 2 \text{ V}, V_{IL} = V_{IL \text{ max}}$			$I_{OL} = 4 \text{ mA}$ $I_{OL} = 8 \text{ mA}$	0.25	0.4	0.25 0.35 0.5	V
$I_I$ Input current at maximum input voltage	$V_{CC} = \text{MAX}, V_I = 7 \text{ V}$			0.1			0.1	mA
$I_{IH}$ High-level input current	$V_{CC} = \text{MAX}, V_I = 2.7 \text{ V}$			20			20	$\mu$ A
$I_{IL}$ Low-level input current	$V_{CC} = \text{MAX}, V_I = 0.4 \text{ V}$			-0.4			-0.4	mA
$I_{OS}$ Short-circuit output current §	$V_{CC} = \text{MAX}$	-20		-100	-20		-100	mA
$I_{CC}$ Supply current	$V_{CC} = \text{MAX},$ See Note 3	16		27	16		27	mA

† For conditions shown as MIN or MAX, use the appropriate value specified under recommended operating conditions.

‡ All typical values are at  $V_{CC} = 5 \text{ V}, T_A = 25^\circ\text{C}$ .

§ Not more than one output should be shorted at a time, and duration of the short-circuit should not exceed one second.

NOTE 3:  $I_{CC}$  is measured with outputs open, serial inputs grounded, the clock input at 2.4 V, and a momentary ground, then 4.5 V applied to clear.

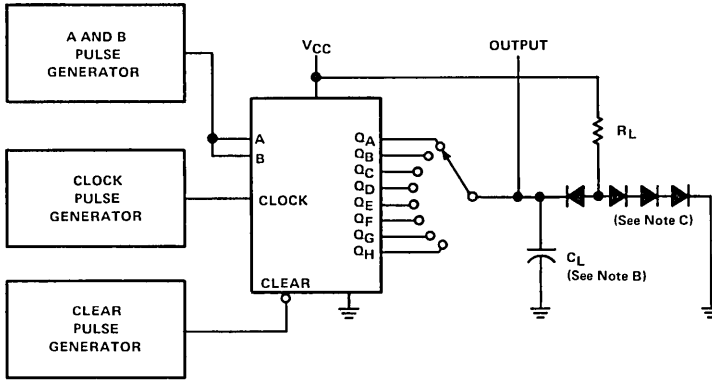
### switching characteristics, $V_{CC} = 5 \text{ V}, T_A = 25^\circ\text{C}$

PARAMETER	TEST CONDITIONS	MIN	TYP	MAX	UNIT
$f_{max}$ Maximum clock frequency		25	36		MHz
$t_{PHL}$ Propagation delay time, high-to-low-level Q outputs from clear input	$C_L = 15 \text{ pF}, R_L = 2 \text{ k}\Omega,$		24	36	ns
$t_{PLH}$ Propagation delay time, low-to-high-level Q outputs from clock input	See Figure 1		17	27	ns
$t_{PHL}$ Propagation delay time, high-to-low-level Q outputs from clock input			21	32	ns

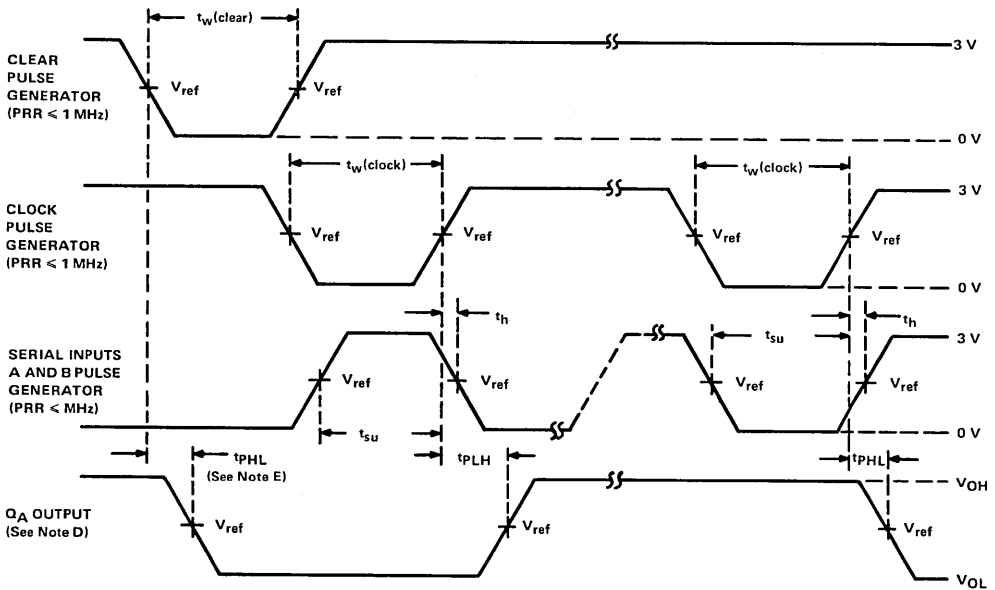
# TYPES SN54164, SN54L164, SN54LS164, SN74164, SN74L164, SN74LS164

## 8-BIT PARALLEL-OUT SERIAL SHIFT REGISTERS

### PARAMETER MEASUREMENT INFORMATION



TEST CIRCUIT



VOLTAGE WAVEFORMS

- NOTES: A. The pulse generators have the following characteristics: duty cycle  $\leq 50\%$ ,  $Z_{out} \approx 50 \Omega$ ; for '164 and 'L164,  $t_r \leq 10$  ns,  $t_f \leq 10$  ns, and for 'LS164,  $t_r \leq 15$  ns,  $t_f \leq 6$  ns.  
 B.  $C_L$  includes probe and jig capacitance.  
 C. All diodes are 1N3064 or 1N916.  
 D.  $Q_A$  output is illustrated. Relationship of serial input A and B data to other Q outputs is illustrated in the typical shift sequence.  
 E. Outputs are set to the high level prior to the measurement of  $t_{PHL}$  from the clear input.  
 F. For '164 and 'L164,  $V_{ref} = 1.5$  V; for 'LS164,  $V_{ref} = 1.3$  V.

FIGURE 1—SWITCHING TIMES

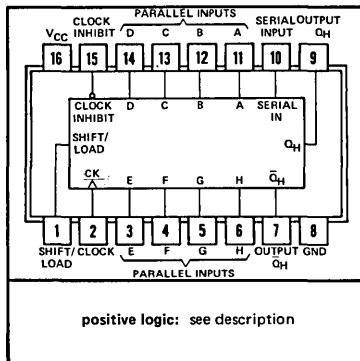
TTL  
MSI

# TYPES SN54165, SN54LS165, SN74165, SN74LS165 PARALLEL-LOAD 8-BIT SHIFT REGISTERS

BULLETIN NO. DL-S 7611375, OCTOBER 1976

- Complementary Outputs
- Direct Overriding Load (Data) Inputs
- Gated Clock Inputs
- Parallel-to-Serial Data Conversion

SN54165, SN54LS165 . . . J OR W PACKAGE  
SN74165, SN74LS165 . . . J OR N PACKAGE  
(TOP VIEW)



TYPE	TYPICAL MAXIMUM CLOCK FREQUENCY	TYPICAL POWER DISSIPATION
'165	26 MHz	210 mW
'LS165	35 MHz	105 mW

## description

The '165 and 'LS165 are 8-bit serial shift registers that shift the data in the direction of  $Q_A$  toward  $Q_H$  when clocked. Parallel-in access to each stage is made available by eight individual direct data inputs that are enabled by a low level at the shift/load input. These registers also feature gated clock inputs and complementary outputs from the eighth bit. All inputs are diode-clamped to minimize transmission-line effects, thereby simplifying system design.

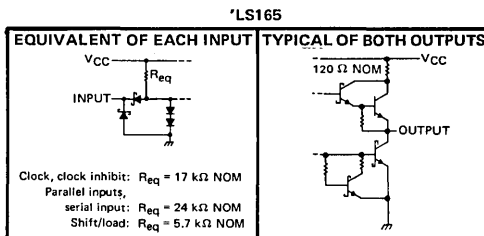
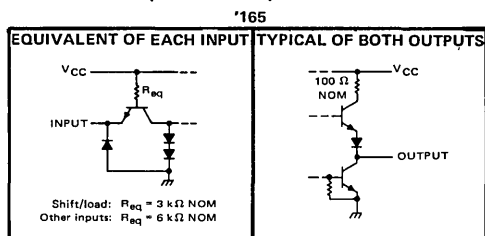
Clocking is accomplished through a 2-input positive-NOR gate, permitting one input to be used as a clock-inhibit function. Holding either of the clock inputs high inhibits clocking and holding either clock input low with the shift/load input high enables the other clock input. The clock-inhibit input should be changed to the high level only while the clock input is high. Parallel loading is inhibited as long as the shift/load input is high. Data at the parallel inputs are loaded directly into the register on a high-to-low transition of the shift/load input independently of the levels of the clock, clock inhibit, or serial inputs.

FUNCTION TABLE

SHIFT/ LOAD	CLOCK INHIBIT	INPUTS			INTERNAL OUTPUTS		OUTPUT $Q_H$
		CLOCK	SERIAL	PARALLEL A . . . H	$Q_A$	$Q_B$	
L	X	X	X	a . . . h	a	b	h
H	L	L	X	X	$Q_{A0}$	$Q_{B0}$	$Q_{H0}$
H	L	↑	H	X	H	$Q_{An}$	$Q_{Gn}$
H	L	↑	L	X	L	$Q_{An}$	$Q_{Gn}$
H	H	X	X	X	$Q_{A0}$	$Q_{B0}$	$Q_{H0}$

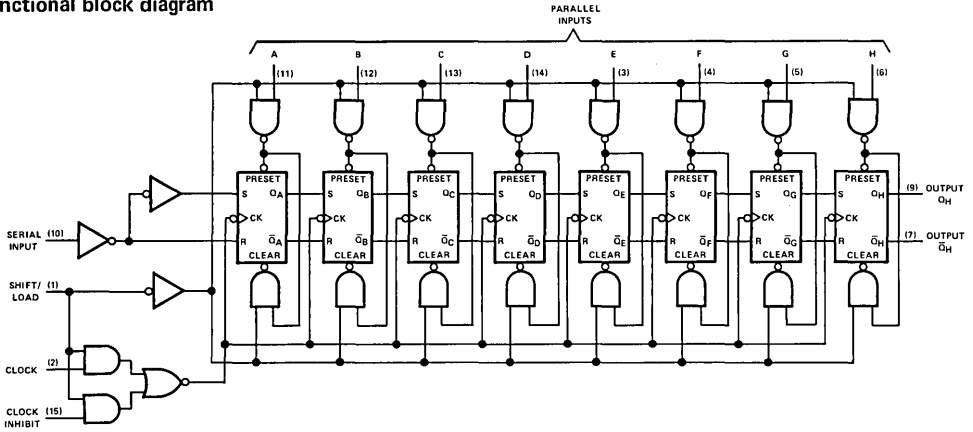
See explanation of function tables on page 3-8.

## schematic of inputs and output

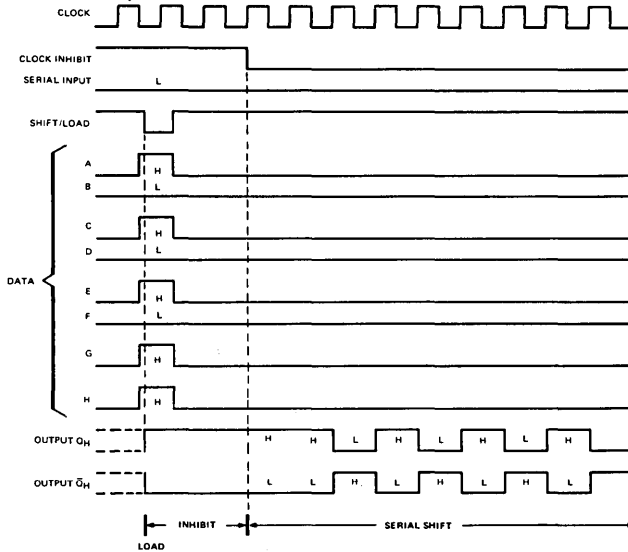


# TYPES SN54165, SN54LS165, SN74165, SN74LS165 PARALLEL-LOAD 8-BIT SHIFT REGISTERS

functional block diagram



typical shift, load, and inhibit sequences



absolute maximum ratings over operating free-air temperature range (unless otherwise noted)

Supply voltage, $V_{CC}$ (see Note 1)	7 V
Input voltage: SN54165, SN74165	5.5 V
SN54LS165, SN74LS165	7 V
Interemitter voltage (see Note 2)	5.5 V
Operating free-air temperature range: SN54165, SN54LS165	-55°C to 125°C
SN74165, SN74LS165	0°C to 70°C
Storage temperature range	-65°C to 150°C

NOTES: 1. Voltage values, except interemitter voltage, are with respect to network ground terminal.  
2. This is the voltage between two emitters of a multiple-emitter transistor. This rating applies for the '165 to the shift/load input in conjunction with the clock-inhibit inputs.

# TYPES SN54165, SN74165 PARALLEL-LOAD 8-BIT SHIFT REGISTERS

## recommended operating conditions

	SN54165			SN74165			UNIT
	MIN	NOM	MAX	MIN	NOM	MAX	
Supply voltage, $V_{CC}$	4.5	5	5.5	4.75	5	5.25	V
High-level output current, $I_{OH}$	-800			-800			$\mu$ A
Low-level output current, $I_{OL}$	16			16			mA
Clock frequency, $f_{clock}$	0	20		0	20		MHz
Width of clock input pulse, $t_w(\text{clock})$	25			25			ns
Width of load input pulse, $t_w(\text{load})$	15			15			ns
Clock-enable setup time, $t_{SU}$ (see Figure 1)	30			30			ns
Parallel input setup time, $t_{SU}$ (see Figure 1)	10			10			ns
Serial input setup time, $t_{SU}$ (see Figure 2)	20			20			ns
Shift setup time, $t_{SU}$ (see Figure 2)	45			45			ns
Hold time at any input, $t_h$	0			0			ns
Operating free-air temperature, $T_A$	-55			125			$^{\circ}$ C

## electrical characteristics over recommended operating free-air temperature range (unless otherwise noted)

PARAMETER		TEST CONDITIONS†	SN54165		SN74165		UNIT
			MIN	TYP‡	MAX	MIN	
$V_{IH}$	High-level input voltage		2		2		V
$V_{IL}$	Low-level input voltage		0.8		0.8		V
$V_{IK}$	Input clamp voltage	$V_{CC} = \text{MIN}, I_I = -12 \text{ mA}$	-1.5		-1.5		V
$V_{OH}$	High-level output voltage	$V_{CC} = \text{MIN}, V_{IH} = 2 \text{ V}, V_{IL} = 0.8 \text{ V}, I_{OH} = -800 \mu\text{A}$	2.4	3.4	2.4	3.4	V
$V_{OL}$	Low-level output voltage	$V_{CC} = \text{MIN}, V_{IH} = 2 \text{ V}, V_{IL} = 0.8 \text{ V}, I_{OL} = 16 \text{ mA}$	0.2	0.4	0.2	0.4	V
$I_I$	Input current at maximum input voltage	$V_{CC} = \text{MAX}, V_I = 5.5 \text{ V}$	1		1		mA
$I_{IH}$	High-level input current	Shift/load	80		80		$\mu$ A
		Other inputs	40		40		
$I_{IL}$	Low-level input current	Shift/load	-3.2		-3.2		mA
		Other inputs	-1.6		-1.6		
$I_{OS}$	Short-circuit output current‡	$V_{CC} = \text{MAX}$	-20	-55	-18	-55	mA
$I_{CC}$	Supply current	$V_{CC} = \text{MAX},$ See Note 3	42	63	42	63	mA

NOTE 3: With the outputs open, clock inhibit and clock at 4.5 V, and a clock pulse applied to the shift/load input,  $I_{CC}$  is measured first with the parallel inputs at 4.5 V, then with the parallel inputs grounded.

† For conditions shown as MIN or MAX, use the appropriate value specified under recommended operating conditions.

‡ All typical values are at  $V_{CC} = 5 \text{ V}, T_A = 25^{\circ}\text{C}$ .

§ Not more than one output should be shorted at a time.

## switching characteristics, $V_{CC} = 5 \text{ V}, T_A = 25^{\circ}\text{C}$

PARAMETER¶	FROM (INPUT)	TO (OUTPUT)	TEST CONDITIONS	MIN	TYP	MAX	UNIT
$f_{max}$			$C_L = 15 \text{ pF}, R_L = 400 \Omega,$ See figures 1 thru 3	20	26		MHz
$t_{PLH}$	Load	Any		21	31		ns
$t_{PHL}$				27	40		
$t_{PLH}$	Clock	Any		16	24		ns
$t_{PHL}$				21	31		
$t_{PLH}$	H	$Q_H$		11	17		ns
$t_{PHL}$				24	36		
$t_{PLH}$	H	$\bar{Q}_H$		18	27		ns
$t_{PHL}$				18	27		

¶  $f_{max}$  = maximum clock frequency

$t_{PLH}$  = propagation delay time, low-to-high-level output

$t_{PHL}$  = propagation delay time, high-to-low-level output

# TYPES SN54LS165, SN74LS165 PARALLEL-LOAD 8-BIT SHIFT REGISTERS

## recommended operating conditions

	SN54LS165			SN74LS165			UNIT
	MIN	NOM	MAX	MIN	NOM	MAX	
Supply voltage, $V_{CC}$	4.5	5	5.5	4.75	5	5.25	V
High-level output current, $I_{OH}$			-400			-400	$\mu$ A
Low-level output current, $I_{OL}$			4			8	mA
Clock frequency, $f_{clock}$	0		25	0		25	MHz
Width of clock input pulse, $t_{w(clock)}$	25			25			ns
Width of load input pulse, $t_{w(load)}$	15			15			ns
Clock-enable setup time, $t_{SU}$ (see Figure 1)	30			30			ns
Parallel input setup time, $t_{SU}$ (see Figure 1)	10			10			ns
Serial input setup time, $t_{SU}$ (see Figure 2)	20			20			ns
Shift setup time, $t_{SU}$ (see Figure 2)	45			45			ns
Hold time at any input, $t_H$	0			0			ns
Operating free-air temperature, $T_A$	-55		125	0		70	$^{\circ}$ C

## electrical characteristics over recommended operating free-air temperature range (unless otherwise noted)

PARAMETER		TEST CONDITIONS†	SN54LS165		SN74LS165		UNIT		
			MIN	TYP‡	MAX	MIN		TYP‡	MAX
$V_{IH}$	High-level input voltage		2			2	V		
$V_{IL}$	Low-level input voltage				0.7		V		
$V_{IK}$	Input clamp voltage	$V_{CC} = \text{MIN}$ , $I_I = -18 \text{ mA}$			-1.5		V		
$V_{OH}$	High-level output voltage	$V_{CC} = \text{MIN}$ , $V_{IH} = 2 \text{ V}$ , $V_{IL} = V_{ILmax}$ , $I_{OH} = -400 \mu\text{A}$	2.5	3.5		2.7	3.5	V	
$V_{OL}$	Low-level output voltage	$V_{CC} = \text{MIN}$ , $V_{IH} = 2 \text{ V}$ , $V_{IL} = V_{ILmax}$ , $I_{OL} = 4 \text{ mA}$		0.25	0.4		0.25	0.4	V
$I_I$	Input current at maximum input voltage	Shift/load			0.3		0.3	mA	
		Other inputs	$V_{CC} = \text{MAX}$ , $V_I = 7 \text{ V}$		0.1		0.1		
$I_{IH}$	Low-level input current	Shift/load			60		60	$\mu$ A	
		Other inputs	$V_{CC} = \text{MAX}$ , $V_I = 2.7 \text{ V}$		20		20		
$I_{IL}$	Low-level input current	Shift/load			-1.2		-1.2	mA	
		Other inputs	$V_{CC} = \text{MAX}$ , $V_I = 0.4 \text{ V}$		-0.4		-0.4		
$I_{OS}$	Short-circuit output current§	$V_{CC} = \text{MAX}$	-20		-100		-20	-100	mA
$I_{CC}$	Supply current	$V_{CC} = \text{MAX}$ , See Note 3		21	36		21	36	mA

NOTE 3: With the outputs open, clock inhibit and clock at 4.5 V, and a clock pulse applied to the shift/load input,  $I_{CC}$  is measured first with the parallel inputs at 4.5 V, then with the parallel inputs grounded.

† For conditions shown as MIN or MAX, use the appropriate value specified under recommended operating conditions.

‡ All typical values are at  $V_{CC} = 5 \text{ V}$ ,  $T_A = 25^{\circ}\text{C}$ .

§ Not more than one output should be shorted at a time, and the duration of the short-circuit should not exceed one second.

## switching characteristics, $V_{CC} = 5 \text{ V}$ , $T_A = 25^{\circ}\text{C}$

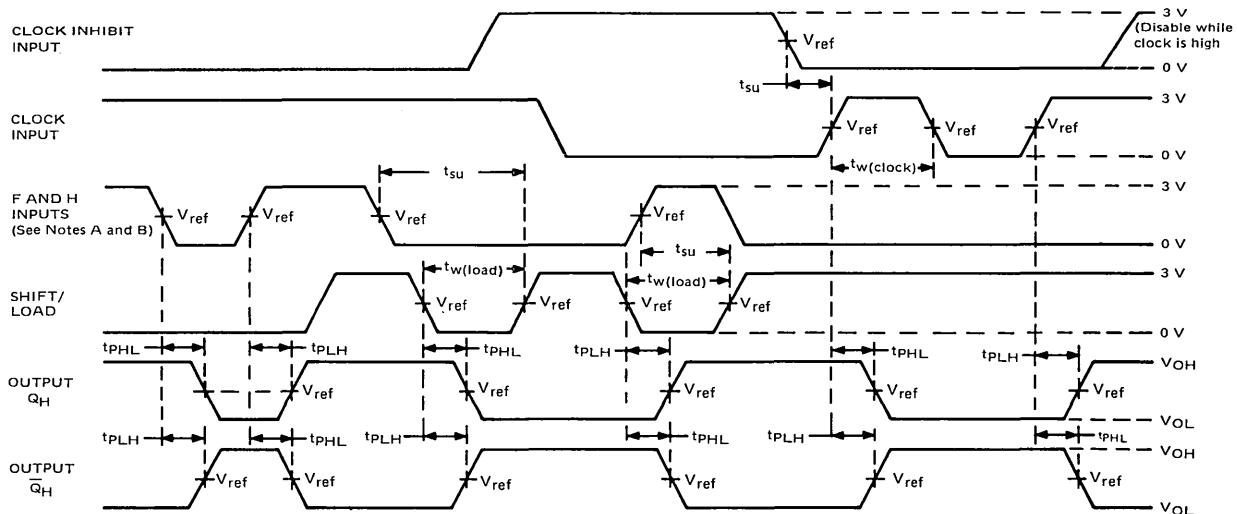
PARAMETER¶	FROM (INPUT)	TO (OUTPUT)	TEST CONDITIONS	MIN	TYP	MAX	UNIT
$f_{max}$				25	35		MHz
$t_{PLH}$	Load	Any	$C_L = 15 \text{ pF}$ , $R_L = 2 \text{ k}\Omega$ , See figures 1 thru 3		22	35	ns
$t_{PHL}$					22	35	
$t_{PLH}$	Clock	Any			27	40	ns
$t_{PHL}$					28	40	
$t_{PLH}$	H	$Q_H$			14	25	ns
$t_{PHL}$					21	30	
$t_{PLH}$	H	$\bar{Q}_H$		21	30	ns	
$t_{PHL}$				16	25		

¶  $f_{max}$  = maximum clock frequency

†  $t_{PLH}$  = propagation delay time, low-to-high-level output

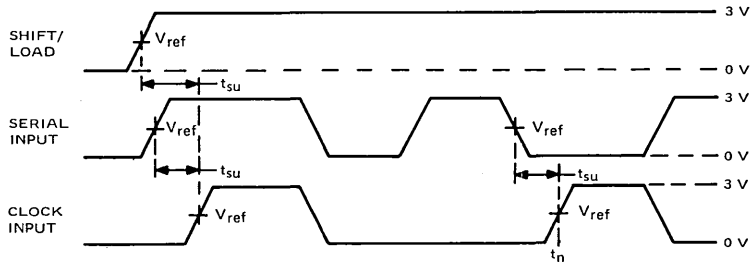
‡  $t_{PHL}$  = propagation delay time, high-to-low-level output





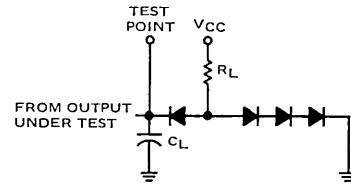
- NOTES: A. The remaining six data inputs and the serial input are low.  
 B. Prior to test, high-level data is loaded into H input.  
 C. The input pulse generators have the following characteristics:  $PRR \leq 1$  MHz, duty cycle  $\leq 50\%$   $Z_{out} \approx 50 \Omega$ ; for '165,  $t_r \leq 10$  ns,  $t_f \leq 10$  ns; for 'LS165,  $t_r \leq 15$  ns,  $t_f \leq 6$  ns.  
 D. For '165,  $V_{ref} = 1.5$  V; for 'LS165,  $V_{ref} = 1.3$  V.

FIGURE 1—VOLTAGE WAVEFORMS



- NOTES: A. The eight data inputs and the clock-inhibit input are low. Results are monitored at output  $Q_H$  at  $t_{n+7}$ .  
 B. The input pulse generators have the following characteristics:  $PRR \leq 1$  MHz, duty cycle  $\leq 50\%$ ,  $Z_{out} \approx 50 \Omega$ ; for '165,  $t_r \leq 10$  ns,  $t_f \leq 10$  ns; for 'LS165,  $t_r \leq 15$  ns,  $t_f \leq 6$  ns.  
 C. For '165,  $V_{ref} = 1.5$  V; for 'LS165,  $V_{ref} = 1.3$  V.

FIGURE 2—VOLTAGE WAVEFORMS



- NOTES: A.  $C_L$  includes probe and jig capacitance.  
 B. All diodes are IN3064.

FIGURE 3—LOAD CIRCUIT FOR SWITCHING TESTS

# TYPES SN54166, SN54LS166, SN74166, SN74LS166 8-BIT SHIFT REGISTERS

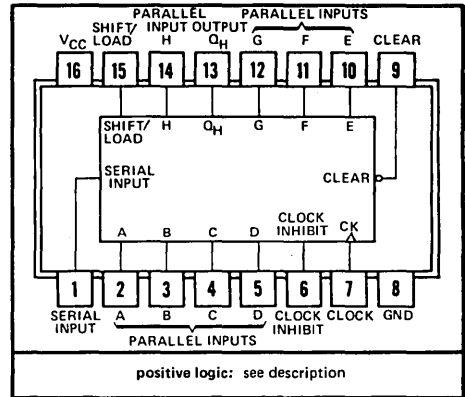
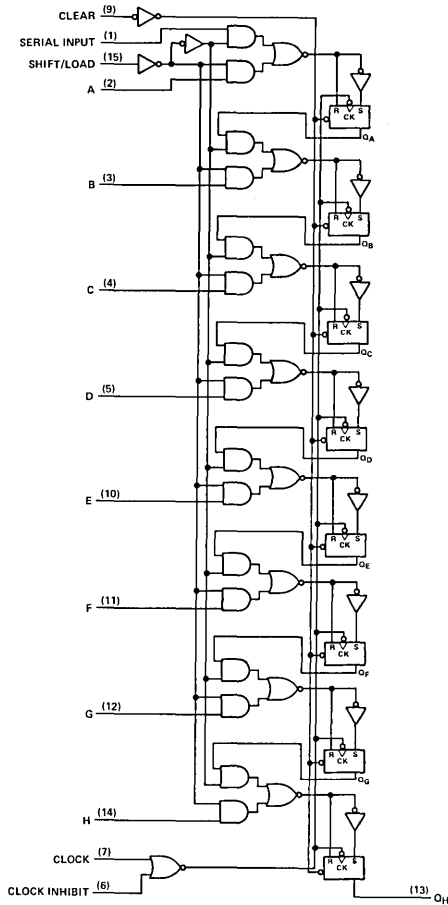
BULLETIN NO. DL-S7711808, OCTOBER 1976—REVISED AUGUST 1977

- Synchronous Load
- Direct Overriding Clear
- Parallel to Serial Conversion

SN54166, SN54LS166 . . . J OR W PACKAGE  
SN74166, SN74LS166 . . . J OR N PACKAGE  
(TOP VIEW)

TYPE	TYPICAL CLOCK FREQUENCY	MAXIMUM POWER DISSIPATION
'166	35 MHz	360 mW
'LS166	35 MHz	110 mW

### functional block diagram



### description

The '166 and 'LS166 8-bit shift registers are compatible with most other TTL and DTL logic families. All '166 and 'LS166 inputs are buffered to lower the drive requirements to one Series 54/74 or Series 54LS/74LS standard load, respectively. Input clamping diodes minimize switching transients and simplify system design.

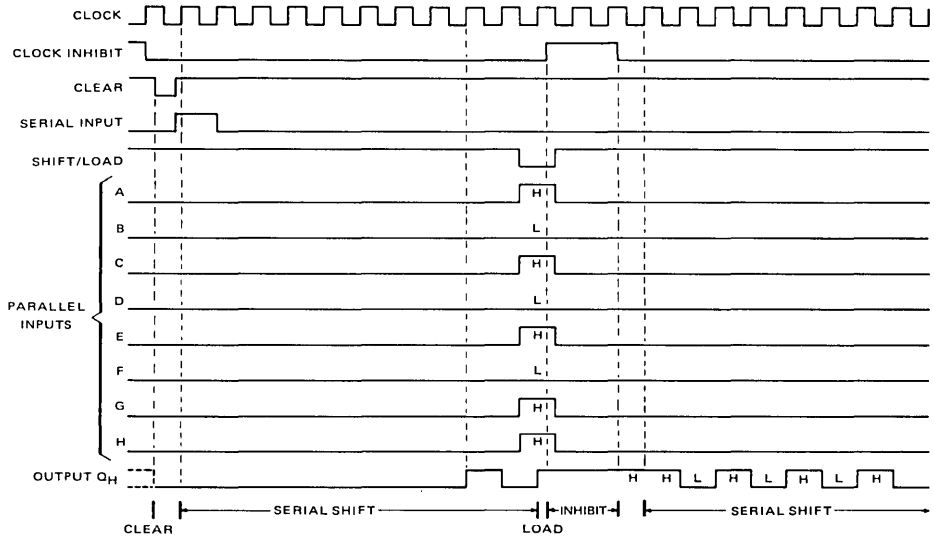
These parallel-in or serial-in, serial-out shift registers have a complexity of 77 equivalent gates on a monolithic chip. They feature gated clock inputs and an overriding clear input. The parallel-in or serial-in modes are established by the shift/load input. When high, this input enables the serial data input and couples the eight flip-flops for serial shifting with each clock pulse. When low, the parallel (broadside) data inputs are enabled and synchronous loading occurs on the next clock pulse. During parallel loading, serial data flow is inhibited. Clocking is accomplished on the low-to-high-level edge of the clock pulse through a two-input positive NOR gate permitting one input to be used as a clock-enable or clock-inhibit function. Holding either of the clock inputs high inhibits clocking; holding either low enables the other clock input. This, of course, allows the system clock to be free-running and the register can be stopped on command with the other clock input. The clock-inhibit input should be changed to the high level only while the clock input is high. A buffered, direct clear input overrides all other inputs, including the clock, and sets all flip-flops to zero.

. . . dynamic input activated by transition from a high level to a low level.

# TYPES SN54166, SN54LS166, SN74166, SN74LS166

## 8-BIT SHIFT REGISTERS

typical clear, shift, load, inhibit, and shift sequences

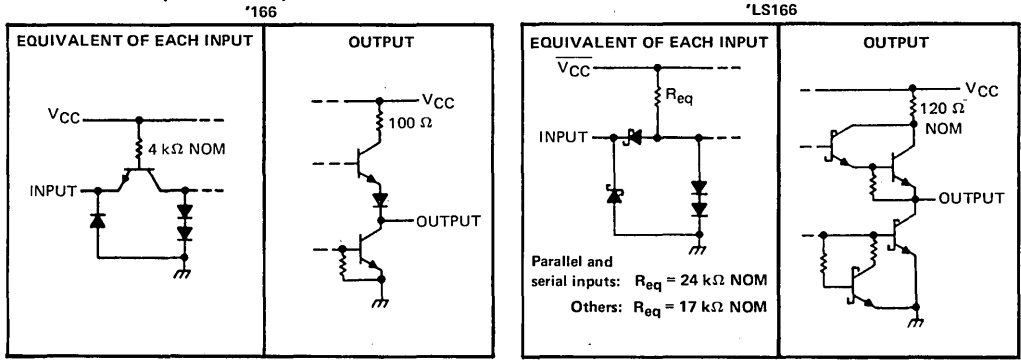


FUNCTION TABLE

INPUTS						INTERNAL OUTPUTS		OUTPUT $Q_H$
CLEAR	SHIFT/LOAD	CLOCK INHIBIT	CLOCK	SERIAL	PARALLEL A...H	$Q_A$	$Q_B$	
L	X	X	X	X	X	L	L	L
H	X	L	L	X	X	$Q_{A0}$	$Q_{B0}$	$Q_{H0}$
H	L	L	↑	X	a...h	a	b	h
H	H	L	↑	H	X	H	$Q_{An}$	$Q_{Gn}$
H	H	L	↑	L	X	L	$Q_{An}$	$Q_{Gn}$
H	X	H	↑	X	X	$Q_{A0}$	$Q_{B0}$	$Q_{H0}$

See explanation of function tables on page 3-8.

### schematics of inputs and outputs



# TYPES SN54166, SN74166

## 8-BIT SHIFT REGISTERS

REVISED AUGUST 1977

### absolute maximum ratings over operating free-air temperature range (unless otherwise noted)

Supply voltage, $V_{CC}$ (see Note 1)	7 V
Input voltage	5.5 V
Operating free-air temperature range: SN54166 (see Note 2)	-55°C to 125°C
SN74166	0°C to 70°C
Storage temperature range	-65°C to 150°C

### recommended operating conditions

	SN54166			SN74166			UNIT
	MIN	NOM	MAX	MIN	NOM	MAX	
Supply voltage, $V_{CC}$	4.5	5	5.5	4.75	5	5.25	V
High-level output current, $I_{OH}$			-800			-800	$\mu$ A
Low-level output current, $I_{OL}$			16			16	mA
Clock frequency, $f_{clock}$	0		25	0		25	MHz
Width of clock or clear pulse, $t_w$ (see Figure 1)	20			20			ns
Mode-control setup time, $t_{SU}$	30			30			ns
Data setup time, $t_{SU}$ (see Figure 1)	20			20			ns
Hold time at any input, $t_h$ (see Figure 1)	0			0			ns
Operating free-air temperature, $T_A$ (see Note 2)	-55		125	0		70	°C

### electrical characteristics over recommended operating free-air temperature range (unless otherwise noted)

PARAMETER	TEST CONDITIONS†	SN54166			SN74166			UNIT
		MIN	TYP‡	MAX	MIN	TYP‡	MAX	
$V_{IH}$ High-level input voltage		2			2			V
$V_{IL}$ Low-level input voltage				0.8			0.8	V
$V_{IK}$ Input clamp voltage	$V_{CC} = \text{MIN}, I_I = -12 \text{ mA}$			-1.5			-1.5	V
$V_{OH}$ High-level output voltage	$V_{CC} = \text{MIN}, V_{IH} = 2 \text{ V}, V_{IL} = 0.8 \text{ V}, I_{OH} = -800 \mu\text{A}$	2.4	3.4		2.4	3.4		V
$V_{OL}$ Low-level output voltage	$V_{CC} = \text{MIN}, V_{IH} = 2 \text{ V}, V_{IL} = 0.8 \text{ V}, I_{OL} = 16 \text{ mA}$		0.2 0.4			0.2 0.4		V
$I_I$ Input current at maximum input voltage	$V_{CC} = \text{MAX}, V_I = 5.5 \text{ V}$			1			1	mA
$I_{IH}$ High-level input current	$V_{CC} = \text{MAX}, V_I = 2.4 \text{ V}$			40			40	$\mu$ A
$I_{IL}$ Low-level input current	$V_{CC} = \text{MAX}, V_I = 0.4 \text{ V}$			-1.6			-1.6	mA
$I_{OS}$ Short-circuit output current§	$V_{CC} = \text{MAX}$	-20		-57	-18		-57	mA
$I_{CC}$ Supply current	$V_{CC} = \text{MAX}$ , See Note 3		90	127		90	127	mA

† For conditions shown as MIN or MAX, use the appropriate value specified under recommended operating conditions.

‡ All typical values are at  $V_{CC} = 5 \text{ V}, T_A = 25^\circ\text{C}$ .

§ Not more than one output should be shorted at a time.

NOTES: 1. Voltage values are with respect to network ground terminal.

2. An SN54166 in the W package operating at free-air temperatures above 113°C requires a heat-sink that provides a thermal resistance from case to free air,  $R_{\theta CA}$ , of not more than 48°C/W.

3. With all outputs open, 4.5 V applied to the serial input, all other inputs except the clock grounded,  $I_{CC}$  is measured after a momentary ground, then 4.5 V, is applied to the clock.

### switching characteristics, $V_{CC} = 5 \text{ V}, T_A = 25^\circ\text{C}$

PARAMETER	TEST CONDITIONS	MIN	TYP	MAX	UNIT
$f_{max}$ Maximum clock frequency		25	35		MHz
$t_{PHL}$ Propagation delay time, high-to-low-level output from clear	$C_L = 15 \text{ pF}, R_L = 400 \Omega,$ See Figure 1		23	35	ns
$t_{PHL}$ Propagation delay time, high-to-low-level output from clock			20	30	ns
$t_{PLH}$ Propagation delay time, low-to-high-level output from clock			17	26	ns

# TYPES SN54LS166, SN74LS166

## 8-BIT SHIFT REGISTERS

REVISED DECEMBER 1980

absolute maximum ratings over operating free-air temperature range (unless otherwise noted)

Supply voltage, $V_{CC}$ (see Note 1)	7 V
Input voltage	7 V
Operating free-air temperature range: SN54LS166	-55°C to 125°C
SN74LS166	0°C to 70°C
Storage temperature range	-65°C to 150°C

NOTE 1: Voltage values are with respect to network ground terminal.

recommended operating conditions

	SN54LS166			SN74LS166			UNIT
	MIN	NOM	MAX	MIN	NOM	MAX	
Supply voltage, $V_{CC}$	4.5	5	5.5	4.75	5	5.25	V
High-level output current, $I_{OH}$			-400			-400	$\mu$ A
Low-level output current, $I_{OL}$			4			8	mA
Clock frequency, $f_{clock}$	0		25	0		25	MHz
Width of clock or clear pulse, $t_w$ (see Figure 1)	30			30			ns
Mode-control setup time, $t_{SU}$	30			30			ns
Data setup time, $t_{SU}$ (see Figure 1)	20			20			ns
Hold time at any input, $t_h$ (see Figure 1)	15			15			ns
Operating free-air temperature, $T_A$	-55		125	0		70	°C

electrical characteristics over recommended operating free-air temperature range (unless otherwise noted)

PARAMETER	TEST CONDITIONS†	SN54LS166		SN74LS166		UNIT	
		MIN	TYP‡	MAX	MIN		TYP‡
$V_{IH}$ High-level input voltage		2			2	V	
$V_{IL}$ Low-level input voltage				0.7		0.8	V
$V_{IK}$ Input clamp voltage	$V_{CC} = \text{MIN}, I_I = -18 \text{ mA}$			-1.5		-1.5	V
$V_{OH}$ High-level output voltage	$V_{CC} = \text{MIN}, V_{IH} = 2 \text{ V}, V_{IL} = V_{IL \text{ max}}, I_{OH} = -400 \mu\text{A}$	2.5	3.4		2.7 3.4	V	
$V_{OL}$ Low-level output voltage	$V_{CC} = \text{MIN}, V_{IH} = 2 \text{ V}, V_{IL} = V_{IL \text{ max}}$			0.25 0.4	0.25 0.4	V	
$I_I$ Input current at maximum input voltage	$V_{CC} = \text{MAX}, V_I = 7 \text{ V}$			0.1		0.1	mA
$I_{IH}$ High-level input current	$V_{CC} = \text{MAX}, V_I = 2.7 \text{ V}$			20		20	$\mu$ A
$I_{IL}$ Low-level input current	$V_{CC} = \text{MAX}, V_I = 0.4 \text{ V}$			-0.4		-0.4	mA
$I_{OS}$ Short-circuit output current§	$V_{CC} = \text{MAX}$	-20	-100	-20	-100	mA	
$I_{CC}$ Supply current	$V_{CC} = \text{MAX},$ See Note 3			22 38		22 38	mA

† For conditions shown as MIN or MAX, use the appropriate value specified under recommended operating conditions.

‡ All typical values are at  $V_{CC} = 5 \text{ V}, T_A = 25^\circ\text{C}$ .

§ Not more than one output should be shorted at a time, and duration of short-circuit should not exceed one second.

NOTE 3: With all outputs open, 4.5 V applied to the serial input and all other inputs except the clock grounded,  $I_{CC}$  is measured after a momentary ground, then 4.5 V, is applied to clock.

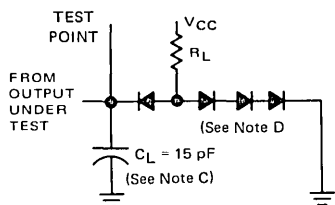
switching characteristics,  $V_{CC} = 5 \text{ V}, T_A = 25^\circ\text{C}$

PARAMETER	TEST CONDITIONS	MIN	TYP	MAX	UNIT
$f_{max}$ Maximum clock frequency		25	35		MHz
$t_{PHL}$ Propagation delay time, high-to-low-level output from clear	$C_L = 15 \text{ pF}, R_L = 2 \text{ k}\Omega,$ See Figure 1		19	30	ns
$t_{PHL}$ Propagation delay time, high-to-low-level output from clock		8	23	35	ns
$t_{PLH}$ Propagation delay time, low-to-high-level output from clock		8	24	35	ns

# TYPES SN54166, SN54LS166, SN74166, SN74LS166

## 8-BIT SHIFT REGISTERS

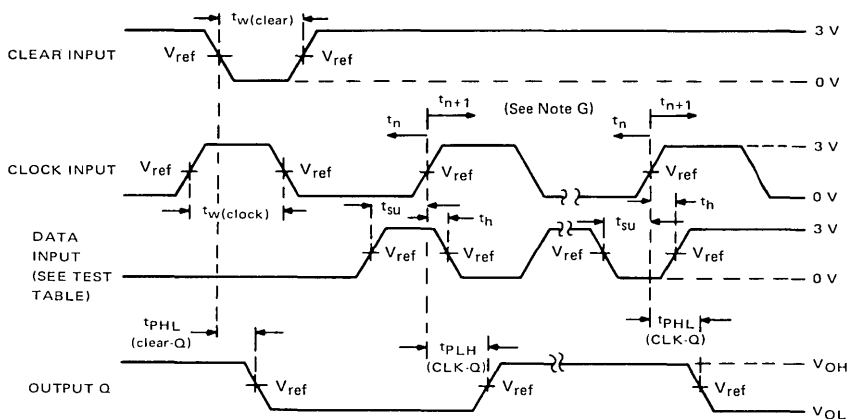
### PARAMETER MEASUREMENT INFORMATION



LOAD FOR OUTPUT UNDER TEST

TEST TABLE FOR SYNCHRONOUS INPUTS

DATA INPUT FOR TEST	SHIFT/LOAD	OUTPUT TESTED (SEE NOTE F)
H	0 V	$Q_H$ at $t_{n+1}$
Serial Input	4.5 V	$Q_H$ at $t_{n+8}$



- NOTE: A. All pulse generators have the following characteristics:  $Z_{out} \approx 50 \Omega$ ; for '166,  $t_r \leq 7 \text{ ns}$  and  $t_f \leq 7 \text{ ns}$ ; for 'LS166,  $t_r \leq 15 \text{ ns}$  and  $t_f \leq 6 \text{ ns}$ .
- B. The clock pulse has the following characteristics:  $t_w(\text{clock}) \leq 20 \text{ ns}$  and  $\text{PRR} = 1 \text{ MHz}$ . The clear pulse has the following characteristics:  $t_w(\text{clear}) \geq 20 \text{ ns}$  and  $t_{\text{hold}} = 0 \text{ ns}$ . When testing  $f_{\text{max}}$ , vary the clock PRR.
- C.  $C_L$  includes probe and jig capacitance.
- D. All diodes are 1N3064 or 1N916.
- E. A clear pulse is applied prior to each test.
- F. Propagation delay times ( $t_{\text{PLH}}$  and  $t_{\text{PHL}}$ ) are measured at  $t_{n+1}$ . Proper shifting of data is verified at  $t_{n+8}$  with a functional test.
- G.  $t_n$  = bit time before clocking transition  
 $t_{n+1}$  = bit time after one clocking transition  
 $t_{n+8}$  = bit time after eight clocking transitions
- H. For '166  $V_{\text{ref}} = 1.5 \text{ V}$ ; for 'LS166  $V_{\text{ref}} = 1.3 \text{ V}$ .

FIGURE 1

- Perform Fixed-Rate or Variable-Rate Frequency Division
- For Applications in Arithmetic, Radar, Digital-to-Analog (D/A), Analog-to-Digital (A/D), and other Conversion Operations
- Typical Maximum Clock Frequency ... 32 Megahertz

description

These monolithic, fully synchronous, programmable counters utilize Series 54/74 TTL circuitry to achieve 32-megahertz typical maximum operating frequencies. These decade counters feature buffered clock, clear, enable and set-to-nine inputs to control the operation of the counter, and a strobe input to enable or inhibit the rate input/decoding AND-OR-INVERT gates. The outputs have additional gating for cascading and transferring unity-count rates.

The counter is enabled when the clear, strobe set-to-nine, and enable inputs are low. With the counter enabled, the output frequency is equal to the input frequency multiplied by the rate input M and divided by 10, i.e.:

$$f_{out} = \frac{M \cdot f_{in}}{10}$$

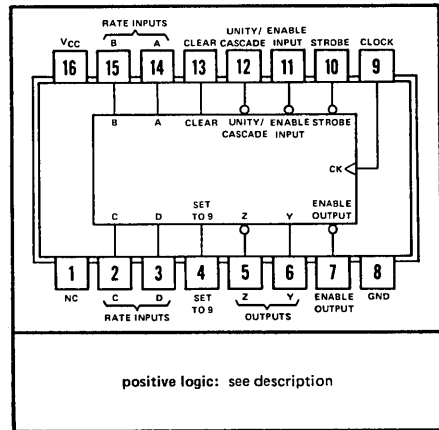
where:  $M = D \cdot 2^3 + C \cdot 2^2 + B \cdot 2^1 + A \cdot 2^0$  for decimal zero through nine.

When the rate input is binary 0 (all rate inputs low), Z remains high. In order to cascade devices to perform two-decade rate multiplication (0-99), the enable output is connected to the enable and strobe inputs of the next stage, the Z output of each stage is connected to the unity/cascade input of the other stage, and the sub-multiple frequency is taken from the Y output. For longer words, see typical application data, Figure 1.

The unity/cascade input, when connected to the clock input, may be utilized to pass the clock frequency (inverted) to the Y output when the rate input/decoding gates are inhibited by the strobe. The unity/cascade input may also be used as a control for the Y output.

All of the inputs of these counters are diode-clamped, and each input, except the clock input, represents one normalized Series 54/74 load. The buffered clock input, used with the strobe gate, is only two Series 54/74 loads. Full fan-out to 10 Series 54/74 loads is available from each of the output. These devices are completely compatible with most TTL and DTL families. Typical dissipation is 270 milliwatts. The SN54167 is characterized for operation over the full military temperature range of -55°C to 125°C, and the SN74167 is characterized for operation from 0°C to 70°C.

SN54167 ... J OR W PACKAGE  
SN74167 ... J OR N PACKAGE  
(TOP VIEW)



positive logic: see description

NC—No internal connection

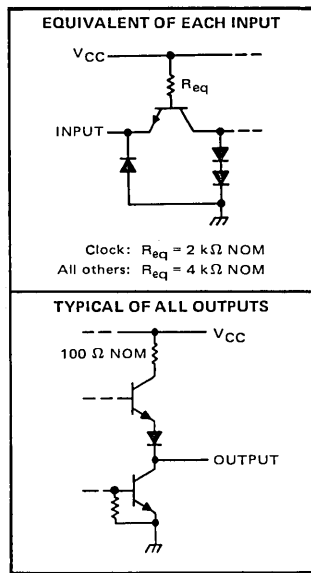
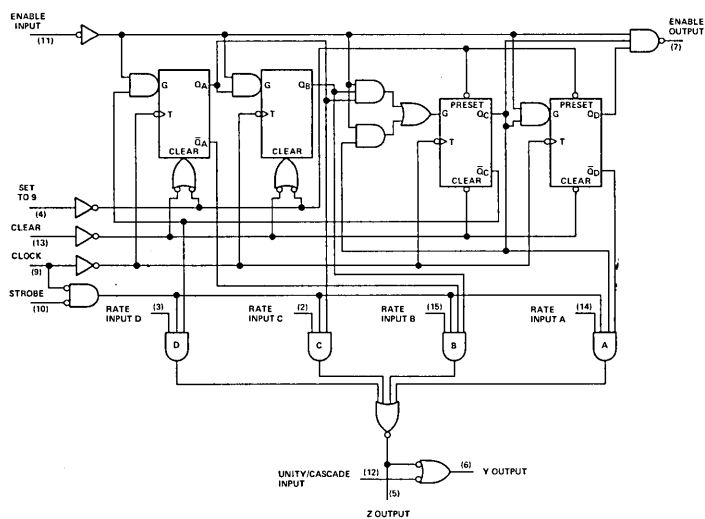
# TYPES SN54167, SN74167 SYNCHRONOUS DECADE RATE MULTIPLIERS

STATE AND/OR RATE FUNCTION TABLE (See Note A)

INPUTS							OUTPUTS					NOTES
CLEAR	ENABLE	STROBE	BCD RATE				NUMBER OF CLOCK PULSES	UNITY/ CASCADE	LOGIC LEVEL OR NUMBER OF PULSES			
			D	C	B	A			Y	Z	ENABLE	
H	X	H	X	X	X	X	X	H	L	H	H	B
L	L	L	L	L	L	L	10	H	L	H	1	C
L	L	L	L	L	L	H	10	H	1	1	1	C
L	L	L	L	L	H	L	10	H	2	2	1	C
L	L	L	L	L	H	H	10	H	3	3	1	C
L	L	L	L	H	L	L	10	H	4	4	1	C
L	L	L	L	H	L	H	10	H	5	5	1	C
L	L	L	L	H	H	L	10	H	6	6	1	C
L	L	L	L	H	H	H	10	H	7	7	1	C
L	L	L	L	H	L	L	10	H	8	8	1	C
L	L	L	L	H	L	H	10	H	9	9	1	C
L	L	L	L	H	L	H	10	H	8	8	1	C, D
L	L	L	L	H	L	H	10	H	9	9	1	C, D
L	L	L	L	H	H	L	10	H	8	8	1	C, D
L	L	L	L	H	H	L	10	H	9	9	1	C, D
L	L	L	L	H	H	H	10	H	9	9	1	C, D
L	L	L	L	H	L	H	10	L	H	9	1	E

- NOTES: A. H = high level, L = low level, X = irrelevant. All remaining entries are numeric counts.  
 B. This is a simplified illustration of the clear function. The states of clock and strobe can affect the logic level of Y and Z. A low unity/cascade will cause output Y to remain high.  
 C. Each rate illustrated assumes a constant value at rate inputs; however, these illustrations in no way prohibit variable-rate inputs.  
 D. These input conditions exceed the range of the decimal rate inputs.  
 E. Unity/cascade can be used to inhibit output Y.

### functional block diagram and schematics of inputs and outputs





# TYPES SN54167, SN74167

## SYNCHRONOUS DECADE RATE MULTIPLIERS

absolute maximum ratings over operating free-air temperature range (unless otherwise noted)

Supply voltage, $V_{CC}$ (see Note 1)	7 V
Input voltage	5.5 V
Operating free-air temperature range: SN54167	-55°C to 125°C
SN74167	0°C to 70°C
Storage temperature range	-65°C to 150°C

NOTE 1: Voltage values are with respect to network ground terminal.

### recommended operating conditions

	SN54167			SN74167			UNIT
	MIN	NOM	MAX	MIN	NOM	MAX	
Supply voltage, $V_{CC}$	4.5	5	5.5	4.75	5	5.25	V
High-level output current, $I_{OH}$			-400			-400	$\mu$ A
Low-level output current, $I_{OL}$			16			16	mA
Clock frequency, $f_{clock}$	0		25	0		25	MHz
Width of clock pulse, $t_w(\text{clock})$	20			20			ns
Width of clear pulse, $t_w(\text{clear})$	15			15			ns
Width of set-to-nine pulse $t_w(\text{set-to-9})$	15			15			ns
Enable setup time, $t_{SU}$ : From positive-going transition of clock pulse From negative-going transition of previous clock pulse	(See Note 2)						
	25			25			ns
	0	$t_w(\text{clock})-10$		0	$t_w(\text{clock})-10$		ns
Enable hold time, $t_H$ : From positive-going transition of clock pulse From negative-going transition of previous clock pulse	(See Note 2)						
	0	$t_w(\text{clock})-10$		0	$t_w(\text{clock})-10$		ns
	20	$t_{CP}-10$		20	$t_{CP}-10$		ns
Operating free-air temperature, $T_A$	-55		125	0		70	°C

NOTE 2:  $t_w(\text{clock})$  is the interval in which the clock is high.  $t_{CP}$  is the total clock cycle starting with a negative transition. See Figure 1 on SN5497, SN7497 data sheet.

### electrical characteristics over recommended operating free-air temperature range (unless otherwise noted)

PARAMETER		TEST CONDITIONS†	MIN	TYP‡	MAX	UNIT
$V_{IH}$	High-level input voltage		2			V
$V_{IL}$	Low-level input voltage				0.8	V
$V_I$	Input clamp voltage	$V_{CC} = \text{MIN}, I_I = -12 \text{ mA}$			-1.5	V
$V_{OH}$	High-level output voltage	$V_{CC} = \text{MIN}, V_{IH} = 2 \text{ V}, V_{IL} = 0.8 \text{ V}, I_{OH} = -400 \mu\text{A}$	2.4	3.4		V
$V_{OL}$	Low-level output voltage	$V_{CC} = \text{MIN}, V_{IH} = 2 \text{ V}, V_{IL} = 0.8 \text{ V}, I_{OL} = 16 \text{ mA}$		0.2	0.4	V
$I_I$	Input current at maximum input voltage	$V_{CC} = \text{MAX}, V_I = 5.5 \text{ V}$			1	mA
$I_{IH}$	High-level input current	clock input			80	$\mu$ A
		other inputs	$V_{CC} = \text{MAX}, V_I = 2.4 \text{ V}$		40	
$I_{IL}$	Low-level input current	clock inputs			-3.2	mA
		other inputs	$V_{CC} = \text{MAX}, V_I = 0.4 \text{ V}$		-1.6	
$I_{OS}$	Short circuit output current§	$V_{CC} = \text{MAX}$		-18	-55	mA
$I_{CCH}$	Supply current, output high	$V_{CC} = \text{MAX},$ See Note 3		43		mA
$I_{CCL}$	Supply current, output low	$V_{CC} = \text{MAX},$ See Note 4		65	99	mA

NOTES: 3.  $I_{CCH}$  is measured with outputs open and all inputs low.

4.  $I_{CCL}$  is measured with outputs open and all inputs high except the set-to-nine input which is low.

† For test conditions shown as MIN or MAX, use the appropriate value specified under recommended operating conditions for the applicable device type.

‡ All typical values are at  $V_{CC} = 5 \text{ V}, T_A = 25^\circ\text{C}$ .

§ Not more than one output should be shorted at a time.

# TYPES SN54167, SN74167 SYNCHRONOUS DECADE RATE MULTIPLIERS

switching characteristics,  $V_{CC} = 5\text{ V}$ ,  $T_A = 25^\circ\text{C}$

PARAMETERS†	FROM INPUT	TO OUTPUT	TEST CONDITIONS	MIN	TYP	MAX	UNIT
$f_{max}$			$C_L = 15\text{ pF}$ , $R_L = 400\ \Omega$ , See Note 5	25	32		MHz
$t_{PLH}$	Enable	Enable		13	20		ns
$t_{PHL}$				14	21		ns
$t_{PLH}$	Strobe	Z		12	18		ns
$t_{PHL}$				15	23		ns
$t_{PLH}$	Clock	Y		26	39		ns
$t_{PHL}$				20	30		ns
$t_{PLH}$	Clock	Z		12	18		ns
$t_{PHL}$				17	26		ns
$t_{PLH}$	Rate	Z		9	14		ns
$t_{PHL}$				6	10		ns
$t_{PLH}$	Unity/Cascade	Y		9	14		ns
$t_{PHL}$				6	10		ns
$t_{PLH}$	Strobe	Y		19	30		ns
$t_{PHL}$				22	33		ns
$t_{PLH}$	Clock	Enable		19	30		ns
$t_{PHL}$				22	33		ns
$t_{PLH}$	Clear	Y		24	36		ns
$t_{PHL}$		Z		15	23		ns
$t_{PHL}$	Set-to-9	Enable		18	27		ns
$t_{PLH}$	Any Rate Input	Y	15	23		ns	
$t_{PHL}$			15	23		ns	

†  $f_{max}$  is maximum clock frequency.

$t_{PLH}$  is propagation delay time, low-to-high-level output.

$t_{PHL}$  is propagation delay time, high-to-low-level output.

NOTE 5: Load circuit, voltage waveforms, and input conditions for measuring switching characteristics are the same as those for the SN5497 and SN7497, page 7-106.

## TYPICAL APPLICATION DATA

This application demonstrates how the decimal-rate multipliers may be cascaded for longer words. Three decades are illustrated (0.999 to 999) although longer words can be implemented by using the pattern shown. The output is decoded either from output Y with a NOR gate or from output Z with a NAND gate. Either method of decoding produces the complement of the output used.

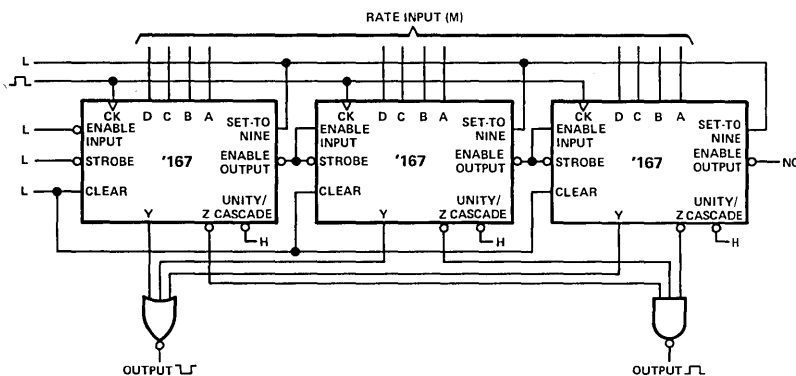


FIGURE 1

TTL  
MSI

# TYPES SN54LS169A, SN54S168, SN54S169 SN74LS169A, SN74S168, SN74S169 SYNCHRONOUS 4-BIT UP/DOWN COUNTERS

BULLETIN NO. DL-S 12068, OCTOBER 1976 — REVISED DECEMBER 1980

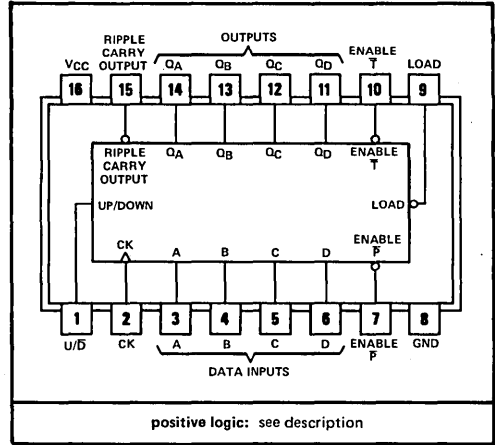
'S168 . . . SYNCHRONOUS UP/DOWN DECADE COUNTERS  
'LS169A, 'S169 . . . SYNCHRONOUS UP/DOWN BINARY COUNTERS

SERIES SN54LS', SN54S' . . . J OR W PACKAGE  
SERIES SN74LS', SN74S' . . . J OR N PACKAGE  
(TOP VIEW)

Programmable Look-Ahead Up/Down  
Binary/Decade Counters

- Fully Synchronous Operation for Counting and Programming
- Internal Look-Ahead for Fast Counting
- Carry Output for n-Bit Cascading
- Fully Independent Clock Circuit

TYPE	TYPICAL MAXIMUM CLOCK FREQUENCY		TYPICAL POWER DISSIPATION
	COUNTING UP	COUNTING DOWN	
'LS169A	35 MHz	35 MHz	100 mW
'S168, 'S169	70 MHz	55 MHz	500 mW



## description

These synchronous presettable counters feature an internal carry look-ahead for cascading in high-speed counting applications. The 'S168 is a decade counter and the 'LS169A and 'S169 are 4-bit binary counters. Synchronous operation is provided by having all flip-flops clocked simultaneously so that the outputs change coincident with each other when so instructed by the count-enable inputs and internal gating. This mode of operation helps eliminate the output counting spikes that are normally associated with asynchronous (ripple-clock) counters. A buffered clock input triggers the four master-slave flip-flops on the rising (positive-going) edge of the clock waveform.

These counters are fully programmable; that is, the outputs may each be preset to either level. The load input circuitry allows loading with the carry-enable output of cascaded counters. As loading is synchronous, setting up a low level at the load input disables the counter and causes the outputs to agree with the data inputs after the next clock pulse.

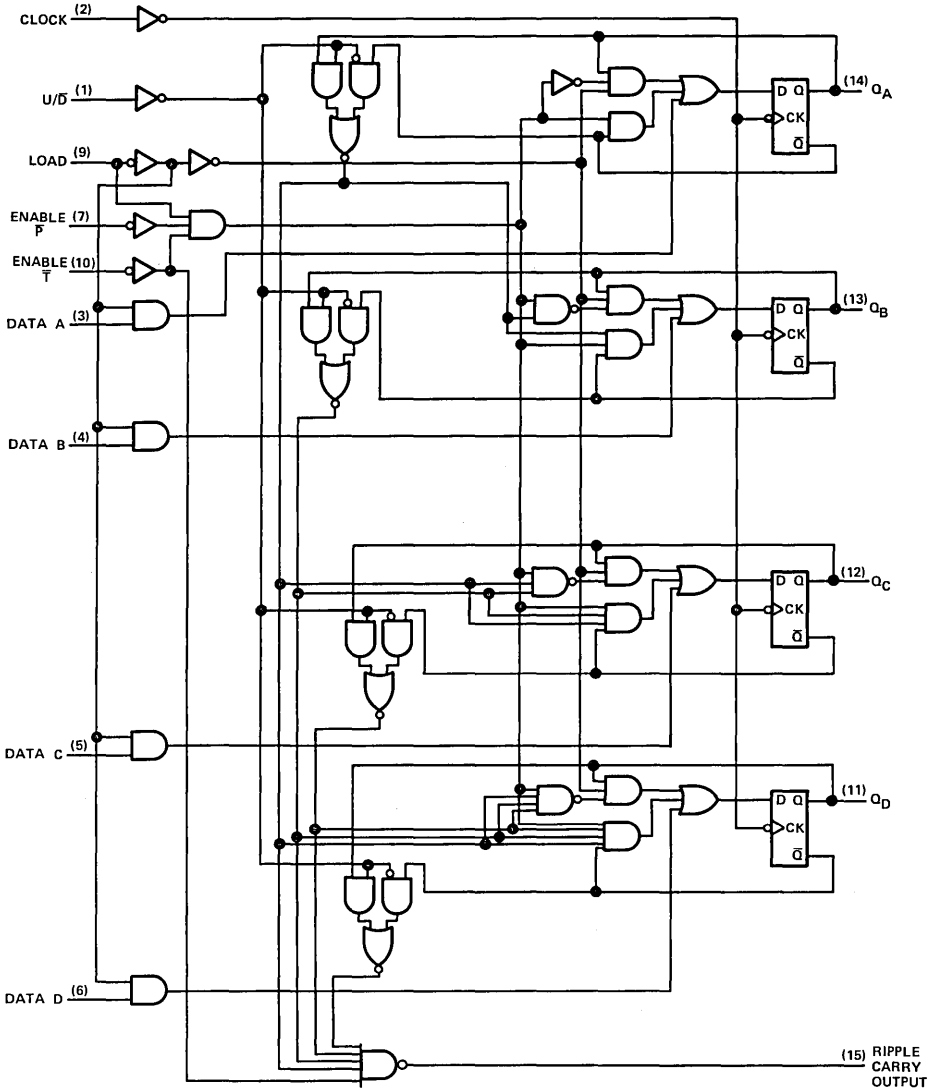
The carry look-ahead circuitry provides for cascading counters for n-bit synchronous applications without additional gating. Instrumental in accomplishing this function are two count-enable inputs ( $\bar{P}$  and  $\bar{T}$ ) must be low to count. The direction of the count is determined by the level of the up/down input. When the input is high, the counter counts up; when low, it counts down. Input  $\bar{T}$  is fed forward to enable the carry output. The carry output thus enabled will produce a low-level output pulse with a duration approximately equal to the high portion of the  $Q_A$  output when counting up and approximately equal to the low portion of the  $Q_A$  output when counting down. This low-level overflow carry pulse can be used to enable successive cascaded stages. Transitions at the enable  $\bar{P}$  or  $\bar{T}$  inputs are allowed regardless of the level of the clock input. All inputs are diode-clamped to minimize transmission-line effects, thereby simplifying system design.

These counters feature a fully independent clock circuit. Changes at control inputs (enable  $\bar{P}$ , enable  $\bar{T}$ , load, up/down) that will modify the operating mode have no effect until clocking occurs. The function of the counter (whether enabled, disabled, loading, or counting) will be dictated solely by the conditions meeting the stable setup and hold times.

# TYPES SN54LS169A, SN74LS169A SYNCHRONOUS 4-BIT UP/DOWN COUNTERS

REVISED DECEMBER 1980

functional block diagrams

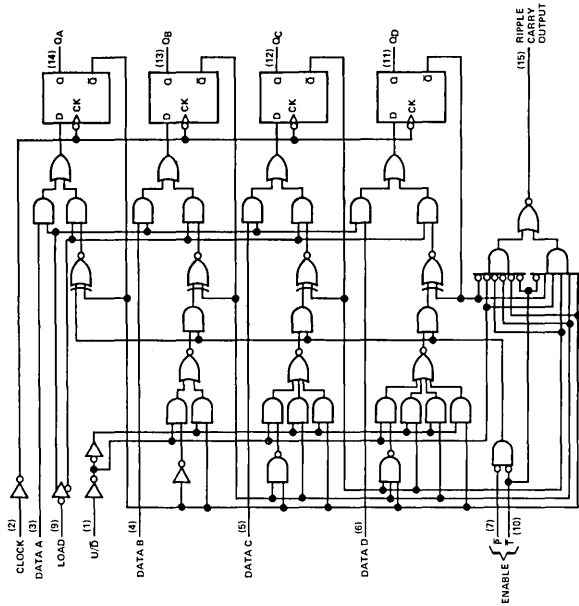


7

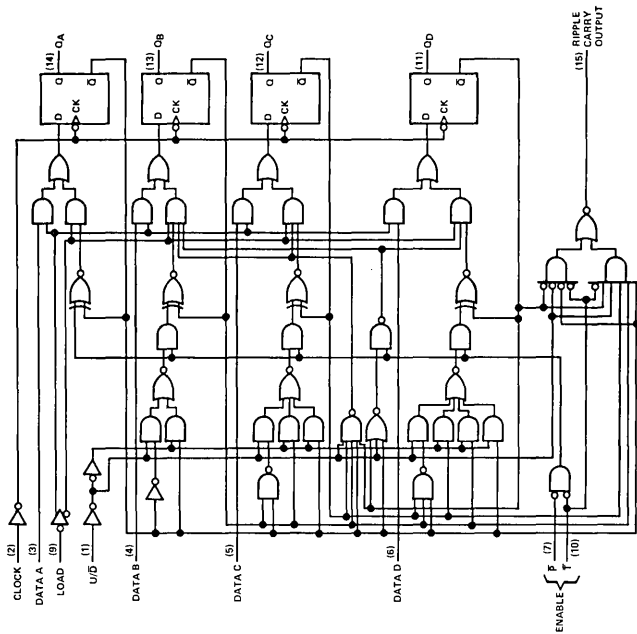
# TYPES SN54S168, SN54S169, SN74S168, SN74S169 SYNCHRONOUS 4-BIT UP/DOWN COUNTERS

functional block diagrams

SN54S169, SN74S169 BINARY COUNTERS



SN54S168, SN74S168 DECADE COUNTERS



7

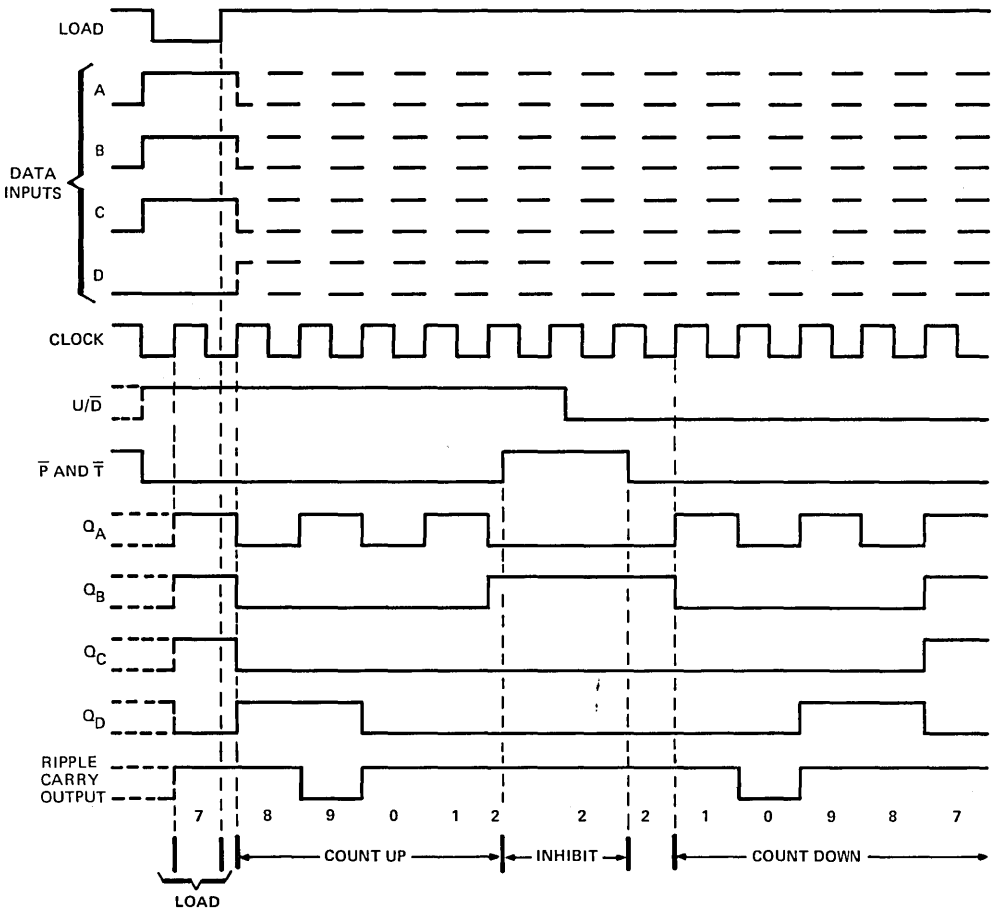
# TYPES SN54S168, SN74S168 SYNCHRONOUS 4-BIT UP/DOWN COUNTERS

## 'S168 DECADE COUNTER

### typical load, count, and inhibit sequences

Illustrated below is the following sequence:

1. Load (preset) to BCD seven
2. Count up to eight, nine (maximum), zero, one, and two
3. Inhibit
4. Count down to one, zero (minimum), nine, eight, and seven



7

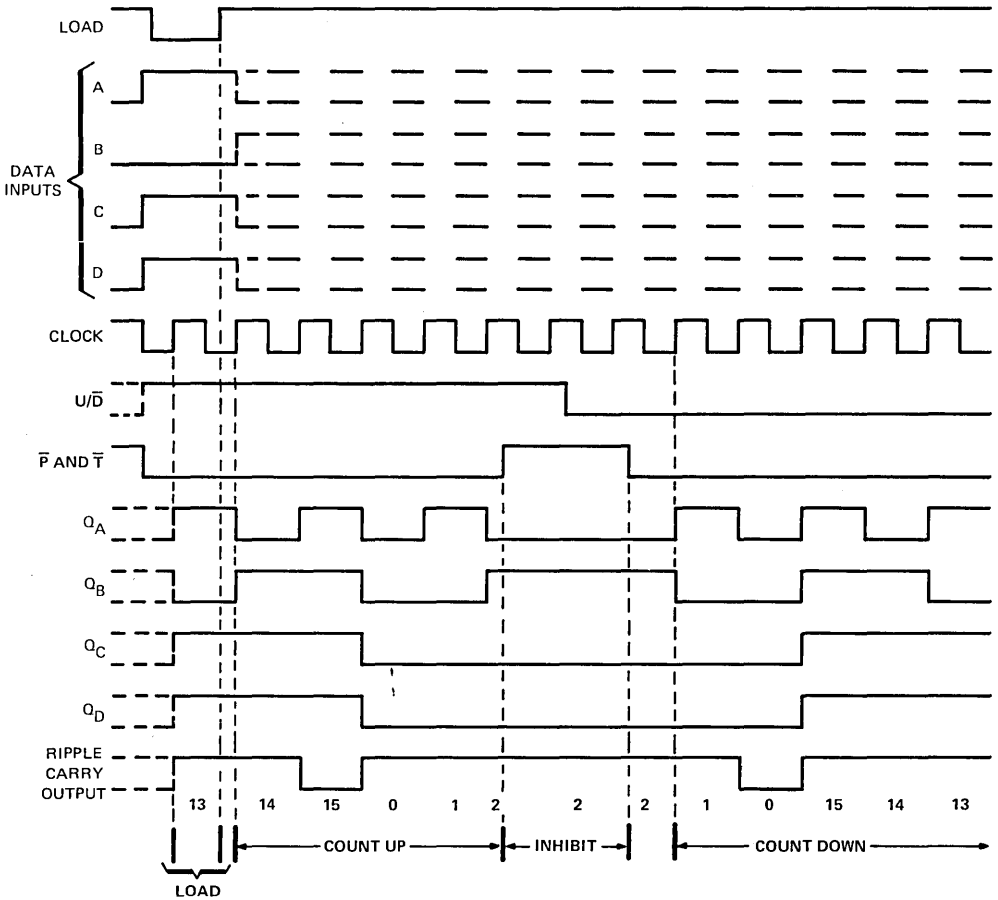
# TYPES SN54LS169A, SN54S169, SN74LS169A, SN74S169 SYNCHRONOUS 4-BIT UP/DOWN COUNTERS

## 'LS169A, 'S169 BINARY COUNTERS

### typical load, count, and inhibit sequences

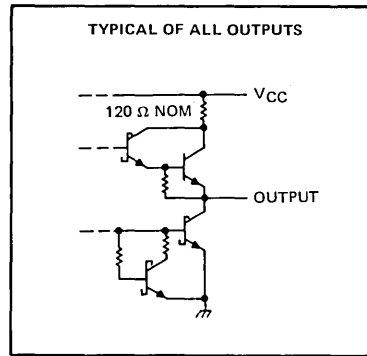
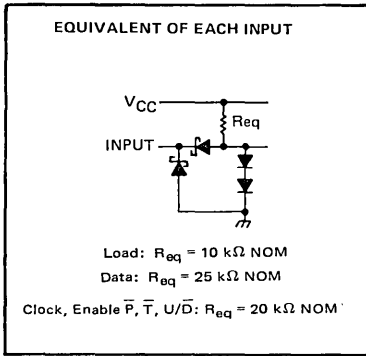
Illustrated below is the following sequence:

1. Load (preset) to binary thirteen
2. Count up to fourteen, fifteen (maximum), zero, one, and two
3. Inhibit
4. Count down to one, zero (minimum), fifteen, fourteen, and thirteen



# TYPES SN54LS169A, SN74LS169A SYNCHRONOUS 4-BIT UP/DOWN COUNTERS

## schematics of inputs and outputs



## absolute maximum ratings over operating free-air temperature range (unless otherwise noted)

Supply voltage, $V_{CC}$ (see Note 1)	7 V	
Input voltage	7 V	
Operating free-air temperature range: SN54LS169A	-55°C to 125°C	
SN74LS169A	0°C to 70°C	
Storage temperature range	-65°C to 150°C	

NOTE 1: Voltage values are with respect to network ground terminal.

## recommended operating conditions

	SN54LS169A			SN74LS169A			UNIT
	MIN	NOM	MAX	MIN	NOM	MAX	
Supply voltage, $V_{CC}$	4.5	5	5.5	4.75	5	5.25	V
High-level output current, $I_{OH}$			-400			-400	$\mu\text{A}$
Low-level output current, $I_{OL}$			4			8	mA
Clock frequency, $f_{clock}$	0		25	0		25	MHz
Width of clock pulse, $t_{w(clock)}$ (high or low) (see Figure 1)	25			25			ns
Setup time, $t_{su}$ (see Figure 1)	Data inputs A, B, C, D	20		20			ns
	Enable $\bar{P}$ or $\bar{T}$	20		20			
	Load	25		25			
	Up/Down	30		30			
Hold time at any input with respect to clock, $t_h$ (see Figure 1)	0			0			ns
Operating free-air temperature, $T_A$	-55		125	0		70	°C



# TYPES SN54LS169A, SN74LS169A

## SYNCHRONOUS 4-BIT UP/DOWN COUNTERS

electrical characteristics over recommended operating free-air temperature range (unless otherwise noted)

PARAMETER		TEST CONDITIONS†	SN54LS169A			SN74LS169A			UNIT
			MIN	TYP‡	MAX	MIN	TYP‡	MAX	
V <sub>IH</sub>	High-level input voltage		2			2			V
V <sub>IL</sub>	Low-level input voltage				0.7			0.8	V
V <sub>IK</sub>	Input clamp voltage	V <sub>CC</sub> = MIN, I <sub>I</sub> = -18 mA			-1.5			-1.5	V
V <sub>OH</sub>	High-level output voltage	V <sub>CC</sub> = MIN, V <sub>IH</sub> = 2 V, V <sub>IL</sub> = V <sub>IL</sub> max, I <sub>OH</sub> = -400 μA	2.5	3.4		2.7	3.4		V
V <sub>OL</sub>	Low-level output voltage	V <sub>CC</sub> = MIN, V <sub>IH</sub> = 2 V, V <sub>IL</sub> = V <sub>IL</sub> max	I <sub>OL</sub> = 4 mA		0.25	0.4	0.25	0.4	V
			I <sub>OL</sub> = 8 mA				0.35	0.5	
I <sub>I</sub>	Input current at maximum input voltage	A, B, C, D, $\bar{P}$ , U/D	V <sub>CC</sub> = MAX, V <sub>I</sub> = 7 V			0.1			mA
		Clock, $\bar{T}$				0.1			
		Load				0.2			
I <sub>IH</sub>	High-level input current	A, B, C, D, $\bar{P}$ , U/D	V <sub>CC</sub> = MAX, V <sub>I</sub> = 2.7 V			20			μA
		Clock, $\bar{T}$				20			
		Load				40			
I <sub>IL</sub>	Low-level input current	A, B, C, D, $\bar{P}$ , U/D	V <sub>CC</sub> = MAX, V <sub>I</sub> = 0.4 V			-0.4			mA
		Clock, $\bar{T}$				-0.4			
		Load				-0.8			
I <sub>OS</sub>	Short-circuit output current‡	V <sub>CC</sub> = MAX	-20	-100	-20	-100			mA
I <sub>CC</sub>	Supply current	V <sub>CC</sub> = MAX, See Note 2		20	34		20	34	mA

† For conditions shown as MIN or MAX, use the appropriate value specified under recommended operating conditions.

‡ All typical values are at V<sub>CC</sub> = 5 V, T<sub>A</sub> = 25°C.

§ Not more than one output should be shorted at a time, and duration of the short-circuit should not exceed one second.

NOTE 2: I<sub>CC</sub> is measured after applying a momentary 4.5 V, then ground, to the clock input with all other inputs grounded and the outputs open.

switching characteristics, V<sub>CC</sub> = 5 V, T<sub>A</sub> = 25°C

PARAMETER¶	FROM (INPUT)	TO (OUTPUT)	TEST CONDITIONS	MIN	TYP	MAX	UNIT
f <sub>max</sub>			C <sub>L</sub> = 15 pF, R <sub>L</sub> = 2 kΩ, See Figures 2 and 3 and Note 3	25	32		MHz
t <sub>PLH</sub>	Clock	Ripple carry			23	35	ns
t <sub>PHL</sub>		Any			23	35	
t <sub>PLH</sub>	Clock	Q			13	20	ns
t <sub>PHL</sub>		Any			15	23	
t <sub>PLH</sub>	Enable $\bar{T}$	Ripple carry			10	14	ns
t <sub>PHL</sub>		Any			10	14	
t <sub>PLH</sub> ⊙	Up/Down	Ripple carry			17	25	ns
t <sub>PHL</sub> ⊙		Any			19	29	

¶ f<sub>max</sub> = Maximum clock frequency

t<sub>PLH</sub> = propagation delay time, low-to-high-level output.

t<sub>PHL</sub> = propagation delay time, high-to-low-level output.

⊙ Propagation delay time from up/down to ripple carry must be measured with the counter at either a minimum or a maximum count. As the logic level of the up/down input is changed, the ripple carry output will follow. If the count is minimum (0), the ripple carry output transition will be in phase. If the count is maximum, the ripple carry output will be out of phase.

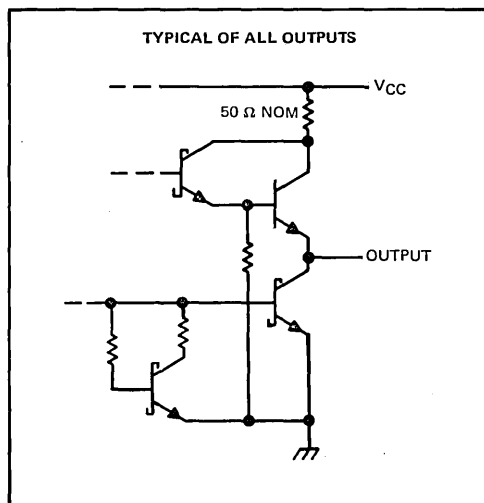
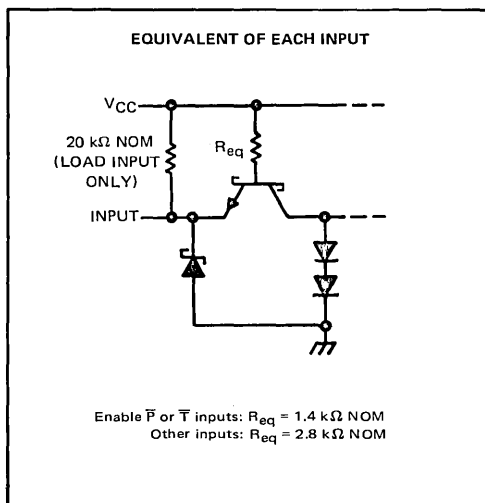
NOTE 3: Load circuit is shown on page 3-11.

# TYPES SN54S168, SN54S169, SN74S168, SN74S169

## SYNCHRONOUS 4-BIT UP/DOWN COUNTERS

REVISED AUGUST 1977

### schematics of inputs and outputs



### absolute maximum ratings over operating free-air temperature range (unless otherwise noted)

Supply voltage, $V_{CC}$ (see Note 4)	7 V
Input voltage	5.5 V
Interemitter voltage (see Note 5)	5.5 V
Operating free-air temperature range: SN54S168, SN54S169 (see Note 6)	-55°C to 125°C
SN74S168, SN74S169	0°C to 70°C
Storage temperature range	-65°C to 150°C

### recommended operating conditions

	SN54S168 SN54S169			SN74S168 SN74S169			UNIT
	MIN	NOM	MAX	MIN	NOM	MAX	
Supply voltage, $V_{CC}$	4.5	5	5.5	4.75	5	5.25	V
High-level output current, $I_{OH}$			-1			-1	mA
Low-level output current, $I_{OL}$			20			20	mA
Clock frequency, $f_{clock}$	0		40	0		40	MHz
Width of clock pulse, $t_{w(clock)}$ (high or low) (see Figure 1)	10			10			ns
Setup time, $t_{SU}$ (see Figure 1)	Data inputs A, B, C, D	4		4			ns
	Enable $\bar{P}$ or $\bar{T}$	14		14			
	Load	6		6			
	Up/Down	20		20			
Hold time at any input with respect to clock, $t_h$ (see Figure 1)	1			1			ns
Operating free-air temperature, $T_A$ (see Note 6)	-55		125	0		70	°C

- NOTES: 4. Voltage values, except interemitter voltage, are with respect to network ground terminal.  
 5. This is the voltage between two emitters of a multiple-emitter transistor. For these circuits, this rating applies between the count enable inputs  $\bar{P}$  and  $\bar{T}$ .  
 6. An SN54S168 or SN54S169 in the W package operating at free-air temperatures above 91°C requires a heat sink that provides a thermal resistance from case to free-air,  $R_{\theta CA}$ , of not more than 26°C/W.

# TYPES SN54S168, SN54S169, SN74S168, SN74S169

## SYNCHRONOUS 4-BIT UP/DOWN COUNTERS

REVISED DECEMBER 1980

electrical characteristics over recommended operating free-air temperature range (unless otherwise noted)

PARAMETER	TEST CONDITIONS†	SN54S168 SN54S169		SN74S168 SN74S169		UNIT
		MIN	TYP‡	MAX	MIN	
V <sub>IH</sub> High-level input voltage		2		2		V
V <sub>IL</sub> Low-level input voltage		0.8		0.8		V
V <sub>IK</sub> Input clamp voltage	V <sub>CC</sub> = MIN, I <sub>I</sub> = -18 mA	-1.2		-1.2		V
V <sub>OH</sub> High-level output voltage	V <sub>CC</sub> = MIN, V <sub>IH</sub> = 2 V, V <sub>IL</sub> = 0.8 V, I <sub>OH</sub> = -1 mA	2.5	3.4	2.7	3.4	V
V <sub>OL</sub> Low-level output voltage	V <sub>CC</sub> = MIN, V <sub>IH</sub> = 2 V, V <sub>IL</sub> = 0.8 V, I <sub>OL</sub> = 20 mA	0.5		0.5		V
I <sub>I</sub> Input current at maximum input voltage	V <sub>CC</sub> = MAX, V <sub>I</sub> = 5.5 V	1		1		mA
I <sub>IH</sub> High-level input current	Enable $\bar{T}$	100		100		$\mu$ A
	Load	-10	-200	-10	-200	
	Other inputs	50		50		
I <sub>IL</sub> Low-level input current	Enable $\bar{T}$	-4		-4		mA
	Other inputs	-2		-2		
I <sub>OS</sub> Short-circuit output current §	V <sub>CC</sub> = MAX	-40	-100	-40	-100	mA
I <sub>CC</sub> Supply current	V <sub>CC</sub> = MAX, See Note 2	100	160	100	160	mA

† For conditions shown as MIN or MAX, use the appropriate value specified under recommended operating conditions.

‡ All typical values are at V<sub>CC</sub> = 5 V, T<sub>A</sub> = 25°C.

§ Not more than one output should be shorted at a time, and duration of the short-circuit should not exceed one second.

NOTE 2: I<sub>CC</sub> is measured after applying a momentary 4.5 V, then ground, to the clock input with all other inputs grounded and the outputs open.

switching characteristics, V<sub>CC</sub> = 5 V, T<sub>A</sub> = 25°C

PARAMETER¶	FROM (INPUT)	TO (OUTPUT)	TEST CONDITIONS	UP/DOWN = HIGH			UP/DOWN = LOW			UNIT
				MIN	TYP	MAX	MIN	TYP	MAX	
f <sub>max</sub>			C <sub>L</sub> = 15 pF, R <sub>L</sub> = 280 $\Omega$ , See Figures 2 and 3 and Note 7	40	70		40	55		MHz
t <sub>PLH</sub>	Clock	Ripple carry		14	21		14	21		ns
t <sub>PHL</sub>				20	28		20	28		
t <sub>PLH</sub>	Clock	Any Q		8	15		8	15		ns
t <sub>PHL</sub>				11	15		11	15		
t <sub>PLH</sub>	Enable $\bar{T}$	Ripple carry		7.5	11		6	12		ns
t <sub>PHL</sub>				15	22		15	25		
t <sub>PLH</sub> ◊	Up/Down	Ripple carry		9	15		8	15		ns
t <sub>PHL</sub> ◊				10	15		16	22		

¶ f<sub>max</sub> = maximum clock frequency

t<sub>PLH</sub> = propagation delay time, low-to-high-level output

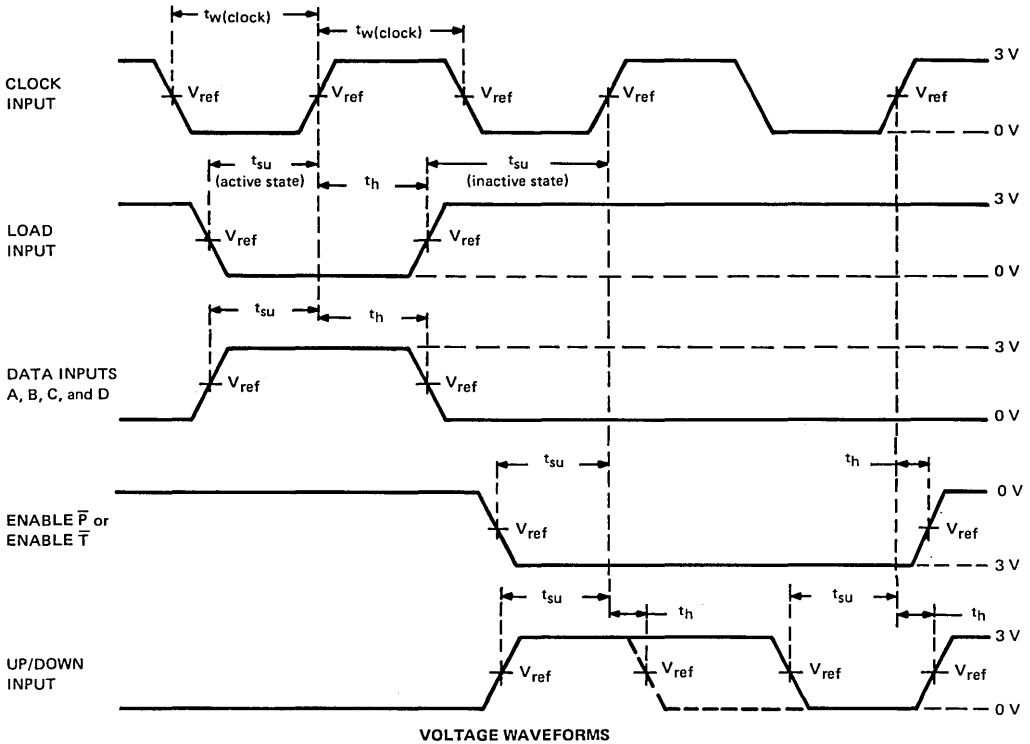
t<sub>PHL</sub> = propagation delay time, high-to-low-level output

◊ Propagation delay time from up/down to ripple carry must be measured with the counter at either a minimum or a maximum count. As the logic level of the up/down input is changed, the ripple carry output will follow. If the count is minimum (0), the ripple carry output transition will be in phase. If the count is maximum (9 for 'S168 or 15 for 'S169), the ripple carry output will be out of phase.

NOTE 7: Load circuit is shown on page 3-10.

# TYPES SN54LS169A, SN54S168, SN54S169, SN74LS169A, SN74S168, SN74S169 SYNCHRONOUS 4-BIT UP/DOWN COUNTERS

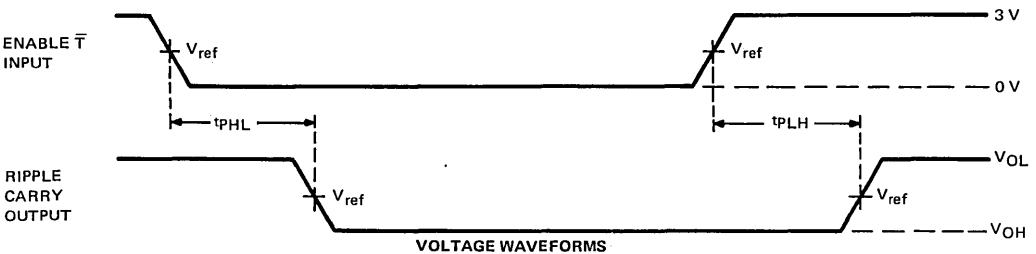
## PARAMETER MEASUREMENT INFORMATION



VOLTAGE WAVEFORMS

- NOTES: A. The input pulses are supplied by a generator having the following characteristics: PRR  $\leq$  1 MHz, duty cycle  $\leq$  50%,  $Z_{out} \approx$  50  $\Omega$ ; for 'LS169A,  $t_r \leq$  15 ns,  $t_f \leq$  6 ns, and for 'S168 and 'S169,  $t_r \leq$  2.5 ns,  $t_f \leq$  2.5 ns.  
B. For 'LS169A,  $V_{ref} = 1.3$  V; for 'S168 and 'S169,  $V_{ref} = 1.5$  V.

FIGURE 1—PULSE WIDTHS, SETUP TIMES, HOLD TIMES



VOLTAGE WAVEFORMS

- NOTES: A. The input pulse is supplied by a generator having the following characteristics: PRR  $\leq$  1 MHz, duty cycle  $\leq$  50%,  $Z_{out} \approx$  50  $\Omega$ ; for 'LS169A,  $t_r \leq$  15 ns,  $t_f \leq$  6 ns; and for 'S168 and 'S169,  $t_r \leq$  2.5 ns,  $t_f \leq$  2.5 ns.  
B.  $t_{PLH}$  and  $t_{PHL}$  from enable  $\bar{T}$  input to ripple carry output assume that the counter is at the maximum count ( $Q_A$  and  $Q_D$  high for 'S168, all Q outputs high for 'LS169A and 'S169).  
C. For 'LS169A,  $V_{ref} = 1.3$  V; for 'S168 and 'S169,  $V_{ref} = 1.5$  V.  
D. Propagation delay time from up/down to ripple carry must be measured with the counter at either a minimum or a maximum count. As the logic level of the up/down input is changed, the ripple carry output will follow. If the count is minimum (0) the ripple carry output transition will be in phase. If the count is maximum (9 for 'S168 or 15 for 'LS169A and 'S169), the ripple carry output will be out of phase.

FIGURE 2—PROPAGATION DELAY TIMES TO CARRY OUTPUT

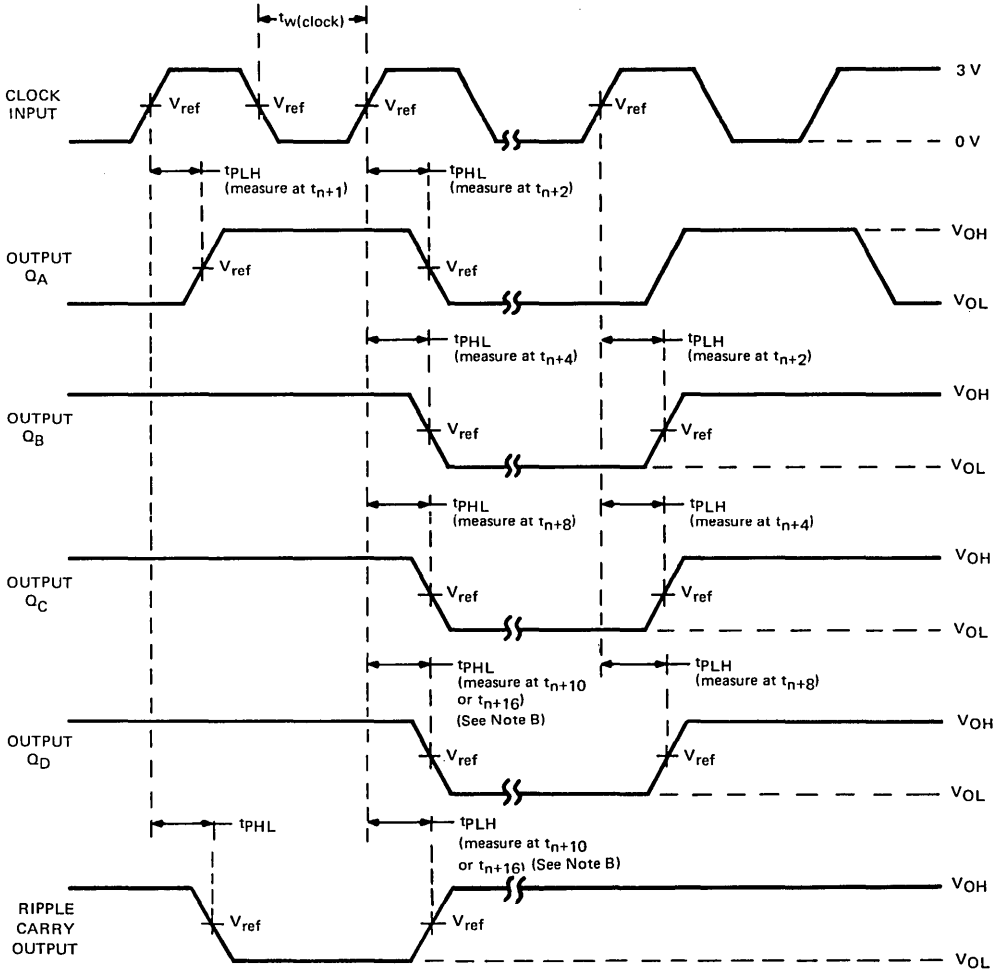
TEXAS INSTRUMENTS  
INCORPORATED

POST OFFICE BOX 225012 • DALLAS, TEXAS 75265

7-235

**TYPES SN54LS169A, SN54S168, SN54S169,  
SN74LS169A, SN74S168, SN74S169  
SYNCHRONOUS 4-BIT UP/DOWN COUNTERS**

**PARAMETER MEASUREMENT INFORMATION**



**UP-COUNT VOLTAGE WAVEFORMS**

- NOTES: A. The input pulses are supplied by a generator having the following characteristics: PRR  $\leq$  1 MHz, duty cycle  $\leq$  50%,  $Z_{out} \approx 50 \Omega$ ; for 'LS169A,  $t_r \leq 15$  ns,  $t_f \leq 6$  ns; and for 'S168 and 'S169,  $t_r \leq 2.5$  ns,  $t_f \leq 2.5$  ns. Vary PRR to measure  $f_{max}$ .
- B. Outputs  $Q_D$  and carry are tested at  $t_{n+10}$  for the 'S168 and at  $t_{n+16}$  for the 'LS169A and 'S169, where  $t_n$  is the bit-time when all outputs are low.
- C. For 'LS169A,  $V_{ref} = 1.3$  V; for 'S168 and 'S169,  $V_{ref} = 1.5$  V.

**FIGURE 3—PROPAGATION DELAY TIMES FROM CLOCK**

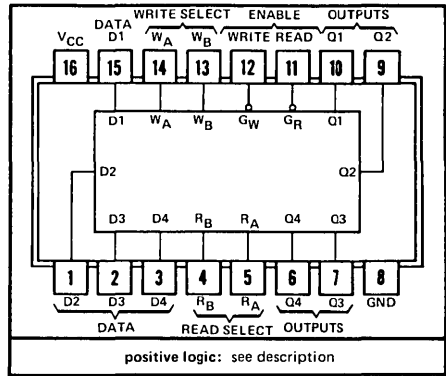
TTL  
MSI

## TYPES SN54170, SN54LS170, SN74170, SN74LS170 4-BY-4 REGISTER FILES WITH OPEN-COLLECTOR OUTPUTS

BULLETIN NO. DL-S 7611349, MARCH 1974—REVISED OCTOBER 1976

- Separate Read/Write Addressing Permits Simultaneous Reading and Writing
- Fast Access Times . . . Typically 20 ns
- Organized as 4 Words of 4 Bits
- Expandable to 1024 Words of n-Bits
- For Use as:  
Scratch-Pad Memory  
Buffer Storage between Processors  
Bit Storage in Fast Multiplication Designs
- Open-Collector Outputs with Low Maximum Off-State Current:  
'170 . . . 30  $\mu$ A  
'LS170 . . . 20  $\mu$ A
- SN54LS670 and SN74LS670 Are Similar But Have 3-State Outputs

SN54170, SN54LS170 . . . J OR W PACKAGE  
SN74170, SN74LS170 . . . J OR N PACKAGE  
(TOP VIEW)



### description

The '170 and 'LS170 MSI 16-bit TTL register files incorporate the equivalent of 98 gates. The register file is organized as 4 words of 4 bits each and separate on-chip decoding is provided for addressing the four word locations to either write-in or retrieve data. This permits simultaneous writing into one location and reading from another word location.

Four data inputs are available which are used to supply the 4-bit word to be stored. Location of the word is determined by the write-address inputs A and B in conjunction with a write-enable signal. Data applied at the inputs should be in its true form. That is, if a high-level signal is desired from the output, a high level is applied at the data input for that particular bit location. The latch inputs are arranged so that new data will be accepted only if both internal address gate inputs are high. When this condition exists, data at the D input is transferred to the latch output. When the write-enable input,  $G_W$ , is high, the data inputs are inhibited and their levels can cause no change in the information stored in the internal latches. When the read-enable input,  $G_R$ , is high, the data outputs are inhibited and remain high.

The individual address lines permit direct acquisition of data stored in any four of the latches. Four individual decoding gates are used to complete the address for reading a word. When the read address is made in conjunction with the read-enable signal, the word appears at the four outputs.

This arrangement—data-entry addressing separate from data-read addressing and individual sense line—eliminates recovery times, permits simultaneous reading and writing, and is limited in speed only by the write time (30 nanoseconds typical) and the read time (25 nanoseconds typical). The register file has a nondestructive readout in that data is not lost when addressed.

All '170 inputs and all inputs except the read enable and write enable of the 'LS170 are buffered to lower the drive requirements to one Series 54/74 or Series 54LS/74LS standard load, respectively. Input-clamping diodes minimize switching transients to simplify system design. High-speed, double-ended AND-OR-INVERT gates are employed for the read-address function and drive high-sink-current, open-collector outputs. Up to 256 of these outputs may be wire-AND connected for increasing the capacity up to 1024 words. Any number of these registers may be paralleled to provide n-bit word length.

The SN54170 and SN54LS170 are characterized for operation over the full military temperature range of  $-55^{\circ}\text{C}$  to  $125^{\circ}\text{C}$ ; the SN74170 and SN74LS170 are characterized for operation from  $0^{\circ}\text{C}$  to  $70^{\circ}\text{C}$ .

# TYPES SN54170, SN54LS170, SN74170, SN74LS170

## 4-BY-4 REGISTER FILES WITH OPEN-COLLECTOR OUTPUTS

logic

WRITE FUNCTION TABLE (SEE NOTES A, B, AND C)

WRITE INPUTS			WORD			
$W_B$	$W_A$	$G_W$	0	1	2	3
L	L	L	$Q = D$	$Q_0$	$Q_0$	$Q_0$
L	H	L	$Q_0$	$Q = D$	$Q_0$	$Q_0$
H	L	L	$Q_0$	$Q_0$	$Q = D$	$Q_0$
H	H	L	$Q_0$	$Q_0$	$Q_0$	$Q = D$
X	X	H	$Q_0$	$Q_0$	$Q_0$	$Q_0$

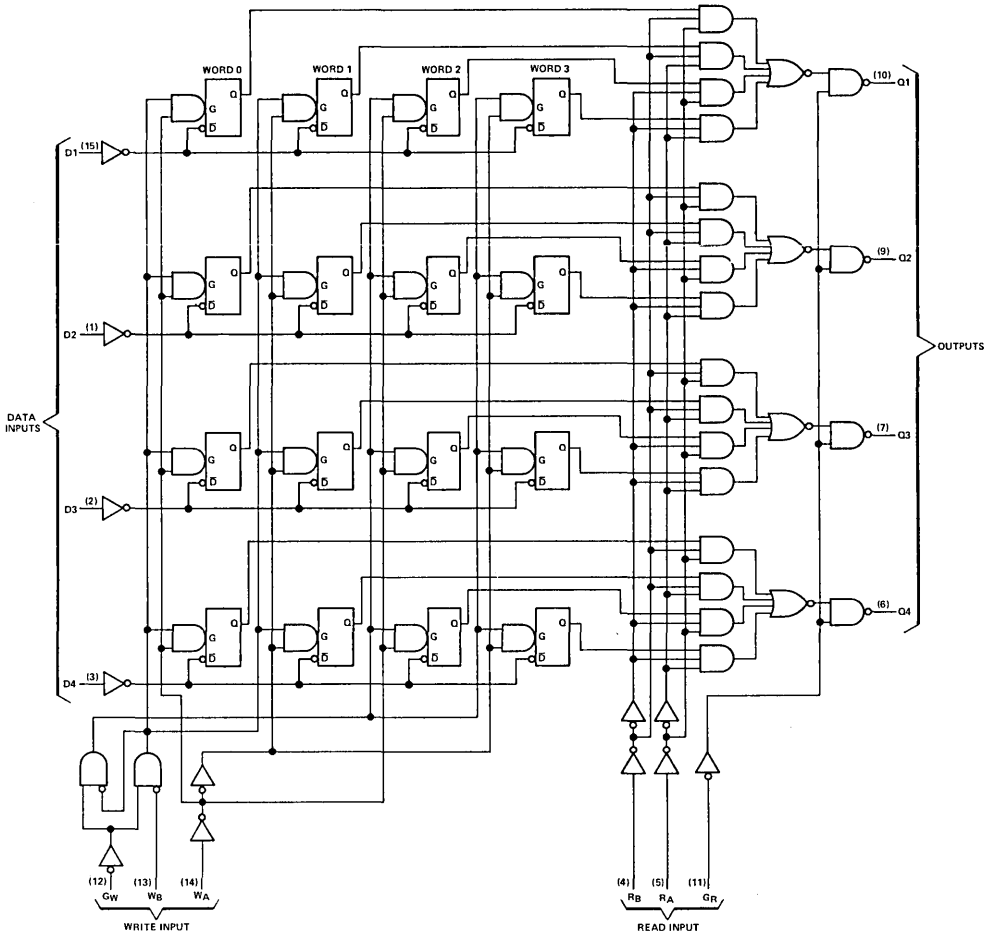
READ FUNCTION TABLE (SEE NOTES A AND D)

READ INPUTS			OUTPUTS			
$R_B$	$R_A$	$G_R$	Q1	Q2	Q3	Q4
L	L	L	W0B1	W0B2	W0B3	W0B4
L	H	L	W1B1	W1B2	W1B3	W1B4
H	L	L	W2B1	W2B2	W2B3	W2B4
H	H	L	W3B1	W3B2	W3B3	W3B4
X	X	H	H	H	H	H

- NOTES: A. H = high level, L = low level, X = irrelevant.  
 B. ( $Q = D$ ) = The four selected internal flip-flop outputs will assume the states applied to the four external data inputs.  
 C.  $Q_0$  = the level of Q before the indicated input conditions were established.  
 D. W0B1 = The first bit of word 0, etc.

functional block diagram

'170







# TYPES SN54170, SN74170

## 4-BY-4 REGISTER FILES WITH OPEN-COLLECTOR OUTPUTS

### recommended operating conditions

		SN54170			SN74170			UNIT	
		MIN	NOM	MAX	MIN	NOM	MAX		
Supply voltage, $V_{CC}$		4.5	5	5.5	4.75	5	5.25	V	
High-level output voltage, $V_{OH}$		5.5			5.5			V	
Low-level output current, $I_{OL}$		16			16			mA	
Width of write-enable or read-enable pulse, $t_{WE}$		25			25			ns	
Setup times, high- or low-level data (see Figure 2)	Data input with respect to write enable, $t_{SU}(D)$	10			10			ns	
	Write select with respect to write enable, $t_{SU}(W)$	15			15			ns	
Hold times, high- or low-level data (see Note 3 and Figure 2)	Data input with respect to write enable, $t_H(D)$	15			15			ns	
	Write select with respect to write enable, $t_H(W)$	5			5			ns	
Latch time for new data, $t_{LATCH}$ (see Note 4)		25			25			ns	
Operating free-air temperature range, $T_A$ (see Note 2)		-55			125			0	70 °C

NOTES: 2. An SN54170 in the W package operating at free-air temperatures above 105°C requires a heat sink that provides a thermal resistance from case to free-air,  $R_{\theta CA}$ , of not more than 38°C/W.

3. Write select setup time will protect the data written into the previous address. If protection of data in the previous address is not required,  $t_{SU}(W)$  can be ignored as any address selection sustained for the final 30 ns of the write-enable pulse and during  $t_H(W)$  will result in data being written into that location. Depending on the duration of the input conditions, one or a number of previous addresses may have been written into.

4. Latch time is the time allowed for the internal output of the latch to assume the state of new data. See Figure 2. This is important only when attempting to read from a location immediately after that location has received new data.

### electrical characteristics over recommended operating free-air temperature range (unless otherwise noted)

PARAMETER	TEST CONDITIONS†	MIN	TYP‡	MAX	UNIT
$V_{IH}$ High-level input voltage		2			V
$V_{IL}$ Low-level input voltage		0.8			V
$V_{IK}$ Input clamp voltage	$V_{CC} = \text{MIN}, I_I = -12 \text{ mA}$	-1.5			V
$I_{OH}$ High-level output current	$V_{CC} = \text{MIN}, V_{OH} = 5.5 \text{ V}, V_{IH} = 2 \text{ V}, V_{IL} = 0.8 \text{ V}$	30			μA
$V_{OL}$ Low-level output voltage	$V_{CC} = \text{MIN}, V_{IH} = 2 \text{ V}, V_{IL} = 0.8 \text{ V}, I_{OL} = 16 \text{ mA}$	0.2	0.4		V
$I_I$ Input current at maximum input voltage	$V_{CC} = \text{MAX}, V_I = 5.5 \text{ V}$	1			mA
$I_{IH}$ High-level input current	$V_{CC} = \text{MAX}, V_I = 2.4 \text{ V}$	40			μA
$I_{IL}$ Low-level input current	$V_{CC} = \text{MAX}, V_I = 0.4 \text{ V}$	-1.6			mA
$I_{CC}$ Supply current	$V_{CC} = \text{MAX}$	127§			140
	See Note 5	SN54170	127§		

†For conditions shown as MIN or MAX, use the appropriate value specified under recommended operating conditions.

‡All typical values are at  $V_{CC} = 5 \text{ V}, T_A = 25^\circ\text{C}$ .

§Typical supply current shown is an average for 50% duty cycle.

NOTE 5: Maximum  $I_{CC}$  is guaranteed for the following worst-case conditions: 4.5 V is applied to all data inputs and both enable inputs, all address inputs are grounded, and all outputs are open.

# TYPES SN54170, SN74170

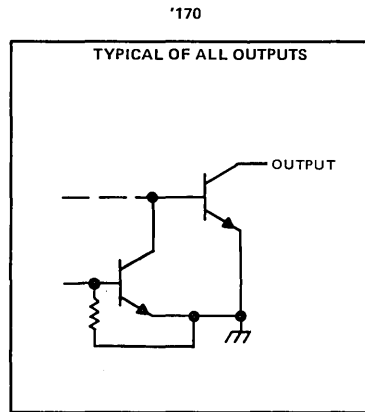
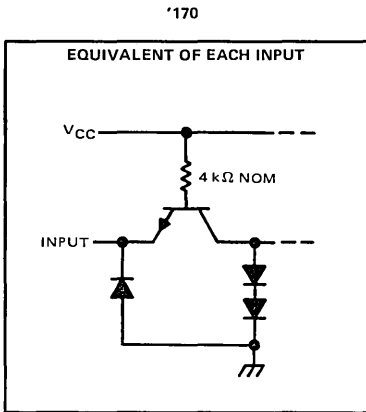
## 4-BY-4 REGISTER FILES WITH OPEN-COLLECTOR OUTPUTS

switching characteristics,  $V_{CC} = 5\text{ V}$ ,  $T_A = 25^\circ\text{C}$

PARAMETER <sup>†</sup>	FROM (INPUT)	TO (OUTPUT)	TEST CONDITIONS	MIN	TYP	MAX	UNIT
$t_{PLH}$	Read enable	Any Q	$C_L = 15\text{ pF}$ , $R_L = 400\ \Omega$ , See Figures 1 and 2	10	15	ns	
$t_{PHL}$				20	30		
$t_{PLH}$	Read Select	Any Q		23	35	ns	
$t_{PHL}$				30	40		
$t_{PLH}$	Write enable	Any Q		25	40	ns	
$t_{PHL}$				34	45		
$t_{PLH}$	Data	Any Q	20	30	ns		
$t_{PHL}$			30	45			

<sup>†</sup> $t_{PLH}$   $\equiv$  propagation delay time, low-to-high-level output  
 $t_{PHL}$   $\equiv$  propagation delay time, high-to-low-level output

### schematics of inputs and outputs



# TYPES SN54LS170, SN74LS170

## 4-BY-4 REGISTER FILES WITH OPEN-COLLECTOR OUTPUTS

REVISED DECEMBER 1980

### recommended operating conditions

		SN54LS170			SN74LS170			UNIT
		MIN	NOM	MAX	MIN	NOM	MAX	
Supply voltage, $V_{CC}$		4.5	5	5.5	4.75	5	5.25	V
High-level output voltage, $V_{OH}$		5.5			5.5			V
Low-level output current, $I_{OL}$		4			8			mA
Width of write-enable or read-enable pulse, $t_{w}$		25			25			ns
Setup times, high- or low-level data (see Figure 2)	Data input with respect to write enable, $t_{su}(D)$	10			10			ns
	Write select with respect to write enable, $t_{su}(W)$	15			15			ns
Hold times, high- or low-level data (see Note 3 and Figure 2)	Data input with respect to write enable, $t_h(D)$	15			15			ns
	Write select with respect to write enable, $t_h(W)$	5			5			ns
Latch time for new data, $t_{latch}$ (see Note 4)		25			25			ns
Operating free-air temperature range, $T_A$		-55			125			0 70 °C

NOTES: 3. Write-select setup time will protect the data written into the previous address. If protection of data in the previous address is not required,  $t_{su}(W)$  can be ignored as any address selection sustained for the final 30 ns of the write-enable pulse and during  $t_h(W)$  will result in data being written into that location. Depending on the duration of the input conditions, one or a number of previous addresses may have been written into.

4. Latch time is the time allowed for the internal output of the latch to assume the state of new data. See Figure 2. This is important only when attempting to read from a location immediately after that location has received new data.

### electrical characteristics over recommended operating free-air temperature range (unless otherwise noted)

PARAMETER		TEST CONDITIONS†	SN54LS170			SN74LS170			UNIT
			MIN	TYP‡	MAX	MIN	TYP‡	MAX	
$V_{IH}$	High-level input voltage		2			2			V
$V_{IL}$	Low-level input voltage		0.7			0.8			V
$V_{IK}$	Input clamp voltage	$V_{CC} = \text{MIN}, I_I = -18 \text{ mA}$	-1.5			-1.5			V
$I_{OH}$	High-level output current	$V_{CC} = \text{MIN}, V_{OH} = 5.5 \text{ V}, V_{IL} = V_{IL \text{ max}}, V_{IH} = 2 \text{ V}$	100			100			$\mu\text{A}$
$V_{OL}$	Low-level output voltage	$V_{CC} = \text{MIN}, V_{IH} = 2 \text{ V}, V_{IL} = V_{IL \text{ max}}, I_{OL} = 4 \text{ mA}$	0.25 0.4			0.25 0.4			V
		$V_{IL} = V_{IL \text{ max}}, I_{OL} = 8 \text{ mA}$				0.35 0.5			
$I_I$	Input current at maximum input voltage	Any D, R, or W, $V_{CC} = \text{MAX}, V_I = 7 \text{ V}$	0.1			0.1			mA
		GR or GW	0.2			0.2			
$I_{IH}$	High-level input current	Any D, R, or W, $V_{CC} = \text{MAX}, V_I = 2.7 \text{ V}$	20			20			$\mu\text{A}$
		GR or GW	40			40			
$I_{IL}$	Low-level input current	Any D, R, or W, $V_{CC} = \text{MAX}, V_I = 0.4 \text{ V}$	-0.4			-0.4			mA
		GR or GW	-0.8			-0.8			
$I_{CC}$	Supply current	$V_{CC} = \text{MAX},$ See Note 6	25 40			25 40			mA

† For conditions shown as MIN or MAX, use the appropriate value specified under recommended operating conditions.

‡ All typical values are at  $V_{CC} = 5 \text{ V}, T_A = 25^\circ\text{C}$ .

NOTE 6:  $I_{CC}$  is measured under the following worst-case conditions: 4.5 V is applied to all data inputs and both enable inputs, all address inputs are grounded, and all outputs are open.

# TYPES SN54LS170, SN74LS170

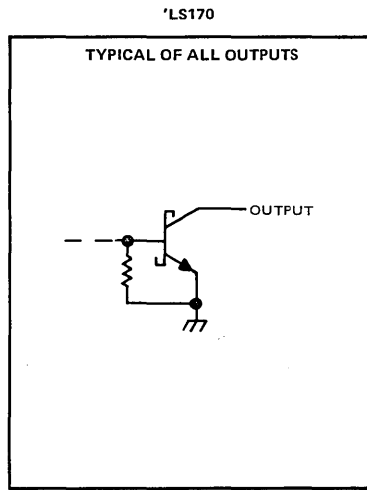
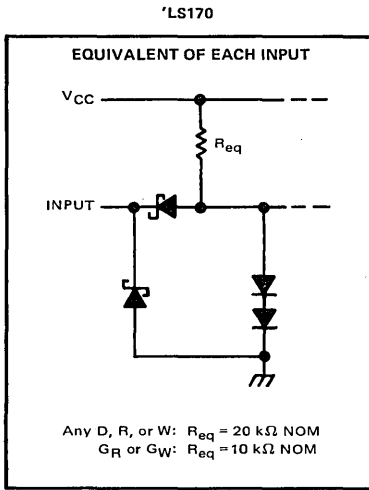
## 4-BY-4 REGISTER FILES WITH OPEN-COLLECTOR OUTPUTS

switching characteristics,  $V_{CC} = 5\text{ V}$ ,  $T_A = 25^\circ\text{C}$

PARAMETER†	FROM (INPUT)	TO (OUTPUT)	TEST CONDITIONS	MIN	TYP	MAX	UNIT
$t_{PLH}$	Read enable	Any Q	$C_L = 15\text{ pF}$ , $R_L = 2\text{ k}\Omega$ , See Figures 1 and 2	20	30	ns	
$t_{PHL}$				20	30		
$t_{PLH}$	Read select	Any Q		25	40	ns	
$t_{PHL}$				24	40		
$t_{PLH}$	Write enable	Any Q		$C_L = 15\text{ pF}$ ,	30	45	ns
$t_{PHL}$				$R_L = 2\text{ k}\Omega$ ,	26	40	
$t_{PLH}$	Data	Any Q	See Figures 1 and 3	30	45	ns	
$t_{PHL}$			22	35			

†  $t_{PLH}$   $\equiv$  propagation delay time, low-to-high-level output  
 $t_{PHL}$   $\equiv$  propagation delay time, high-to-low-level output

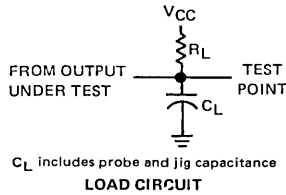
### schematics of inputs and outputs



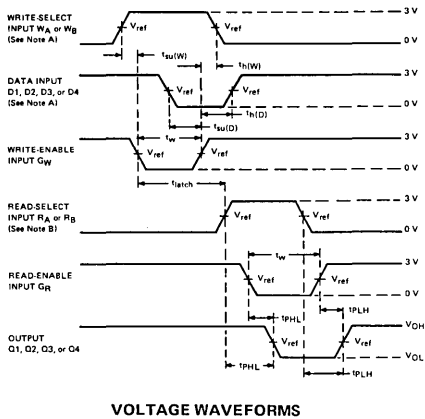
7

**TYPES SN54170, SN54LS170, SN74170, SN74LS170**  
**4-BY-4 REGISTER FILES WITH OPEN-COLLECTOR OUTPUTS**  
 REVISED MARCH 1974

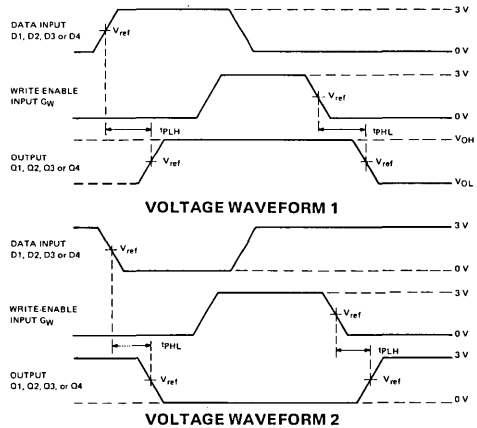
**PARAMETER MEASUREMENT INFORMATION**



**FIGURE 1**



**FIGURE 2**



**FIGURE 3**

- NOTES:**
- A. High-level input pulses at the select and data inputs are illustrated in Figure 2; however, times associated with low-level pulses are measured from the same reference points.
  - B. When measuring delay times from a read-select input, the read-enable input is low. When measuring delay times from the read-enable input, both read-select inputs have been established at steady states.
  - C. In Figure 3, each select address is tested. Prior to the start of each of the above tests, both write and read address inputs are stabilized with  $W_A = R_A$  and  $W_B = R_B$ . During the test  $G_R$  is low.
  - D. Input waveforms are supplied by generators having the following characteristics:  $PRR \leq 1$  MHz,  $Z_{Out} \approx 50 \Omega$ , duty cycle  $\leq 50\%$ ,  $t_r \leq 10$  ns and  $t_f \leq 10$  ns for '170, and  $t_r \leq 15$  ns and  $t_f \leq 6$  ns for 'LS170.
  - E. For '170,  $V_{ref} = 1.5$  V; for 'LS170,  $V_{ref} = 1.3$  V.

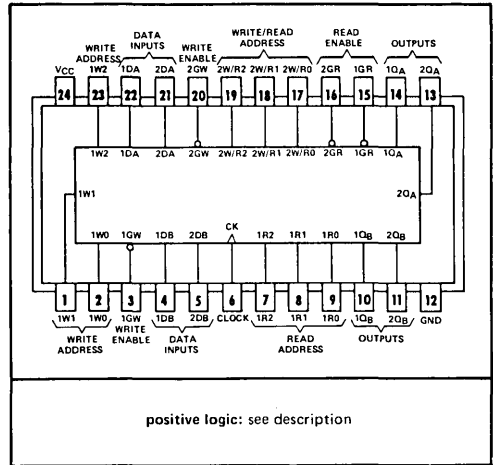
TTL  
LSI

# TYPE SN74172 16-BIT MULTIPLE-PORT REGISTER FILE WITH 3-STATE OUTPUTS

BULLETIN NO. DL-S 7211744, MAY 1972 — REVISED DECEMBER 1972

- Independent Read/Write Addressing Permits Simultaneous Reading and Writing
- Organized as Eight Words of Two Bits Each
- Fast Access Times:  
From Read Enable . . . 15 ns Typical  
From Read Select . . . 33 ns Typical
- Three-State Outputs Simplify Use in Bus-Organized Systems
- Applications:  
Stacked Data Registers  
Scratch-Pad Memory  
Buffer Storage Between Processors  
Fast Multiplication Schemes

J OR N DUAL-IN-LINE  
PACKAGE (TOP VIEW)



description

The SN74172, containing the equivalent of 201 gates on a monolithic chip, is a high-performance 16-bit register file organized as eight words of two bits each.

Multiple address decoding circuitry is used so that the read and write operation can be performed independently on two word locations. This provides a true simultaneous read/write capability. Basically, the file consists of two distinct sections (see Figure A).

Section 1 permits the writing of data into any two-bit word location while reading two bits of data from another location simultaneously. To provide this flexibility, independent decoding is incorporated.

Section 2 of the register file is similar to section 1 with the exception that common read/write address circuitry is employed. This means that section 2 can be utilized in one of three modes:

- 1) Writing new data into two bits
- 2) Reading from two bits
- 3) Writing into and simultaneously reading from the same two bits.

Regardless of the mode, the operation of section 2 is entirely independent of section 1.

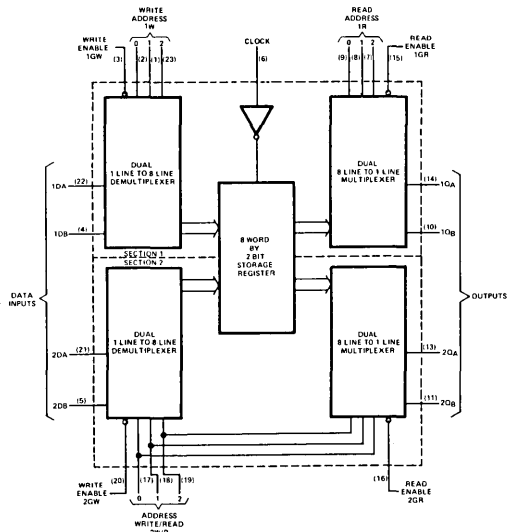


FIGURE A

7

## TYPE SN74172

# 16-BIT MULTIPLE-PORT REGISTER FILE WITH 3-STATE OUTPUTS

### description (continued)

The three-state outputs of this register file permit connection of up to 129 compatible outputs and one Series 54/74 high-logic-level load to a common system bus. The outputs are controlled by the read-enable circuitry so that they operate as standard TTL totem-pole outputs when the appropriate read-enable input is low or they are placed in a high-impedance state when the associated read-enable input is at a high logic level. To minimize the possibility that two outputs from separate register files will attempt to take a common bus to opposite logic levels, the read-enable circuitry is designed such that disable times are shorter than enable times.

All inputs are buffered to lower the drive requirements of the clock, read/write address, and write-enable inputs to one normalized Series 54/74 load, and of all other inputs to one-half of one normalized Series 54/74 load.

Functions of the inputs and outputs of the SN74172 are as shown in the following table.

FUNCTION	SECTION 1	SECTION 2	DESCRIPTION
Write Address	1W0, 1W1, 1W2	2W/R0, 2W/R1, 2W/R2	Binary write address selects one of eight two-bit word locations.
Write Enable	1GW	2GW	When low, permits the writing of new data into the selected word location on a positive transition of the clock input.
Data Inputs	1DA, 1DB	2DA, 2DB	Data at these inputs is entered on a positive transition of the clock input into the location selected by the write address inputs if the write enable input is low. Since the two sections are independent, it is possible for both write functions to be activated with both write addresses selecting the same word location. If this occurs and the information at the data inputs is not the same for both sections (i.e., 1DA ≠ 2DA and/or 1DB ≠ 2DB) the low-level data will predominate in each bit and be stored.
Read Address	1R0, 1R1, 1R2	Common with write address	Binary write address selects one of eight two-bit word locations.
Read Enable	1GR	2GR	When read enable is low, the outputs assume the levels of the data stored in the location selected by read address inputs. When read enable is high, the associated outputs remain in the high-impedance state and neither significantly load nor drive the lines to which they are connected.
Data Outputs	1QA, 1QB	2QA, 2QB	
Clock	CK		The positive-going transition of the clock input will enter new data into the addressed location if the write enable input is low. The clock is common to both sections.

# TYPE SN74172

## 16-BIT MULTIPLE-PORT REGISTER FILE WITH 3-STATE OUTPUTS

absolute maximum ratings over operating free-air temperature range (unless otherwise noted)

Supply voltage (see Note 1)	7 V
Input voltage	5.5 V
Output voltage (see Note 2)	5.5 V
Operating free-air temperature range	0°C to 70°C
Storage temperature	-65°C to 150°C

- NOTES: 1. Voltage values are with respect to network ground terminal.  
 2. This is the maximum voltage which should be applied to any output when it is in the high-impedance state.

recommended operating conditions

		MIN	NOM	MAX	UNIT
Supply voltage, $V_{CC}$		4.75	5	5.25	V
High-level output current, $I_{OH}$				-5.2	mA
Low-level output current, $I_{OL}$				16	mA
Clock frequency, $f_{clock}$		0		20	MHz
Width of clock pulse, $t_w(\text{clock})$				25	ns
Setup time, $t_{su}$ (see Figure 1)	Write select	$t_w(\text{clock})+10$			ns
	High-level data	30			
	Low-level data	45			
	Write enable	35			
Hold time, $t_h$ (see Figure 1)	Write select	0			ns
	Write enable	0			
Data release time, $t_{release}$ (see Figure 1)	High-level data			10	ns
	Low-level data			10	
Operating free-air temperature, $T_A$		0		70	°C

electrical characteristics over recommended operating free-air temperature range (unless otherwise noted)

PARAMETER		TEST CONDITIONS†		MIN	TYP‡	MAX	UNIT
$V_{IH}$	High-level input voltage			2			V
$V_{IL}$	Low-level input voltage					0.8	V
$V_{IK}$	Input clamp voltage	$V_{CC} = \text{MIN}, I_I = -12 \text{ mA}$				-1.5	V
$V_{OH}$	High-level output voltage	$V_{CC} = \text{MIN}, V_{IH} = 2 \text{ V}, V_{IL} = 0.8 \text{ V}, I_{OH} = -5.2 \text{ mA}$		2.4	3		V
$V_{OL}$	Low-level output voltage	$V_{CC} = \text{MIN}, V_{IH} = 2 \text{ V}, V_{IL} = 0.8 \text{ V}, I_{OL} = 16 \text{ mA}$			0.2	0.4	V
$I_{O(\text{off})}$	Off-state (high-impedance state) output current	$V_{CC} = \text{MAX}, V_O = 2.4 \text{ V}$				40	μA
		$V_{CC} = \text{MAX}, V_O = 0.4 \text{ V}$				-40	
$I_I$	Input current at maximum input voltage	$V_{CC} = \text{MAX}, V_I = 5.5 \text{ V}$				1	mA
$I_{IH}$	High-level input current	$V_{CC} = \text{MAX}, V_I = 2.4 \text{ V}$				40	μA
$I_{IL}$	Low-level input current	2W/R0, 2W/R1, 2W/R2, 1GW, 2GW, or clock	$V_{CC} = \text{MAX}, V_I = 0.4 \text{ V}$			-1.6	mA
				Any other input		-0.8	
						-18	-55
$I_{OS}$	Short-circuit output current §	$V_{CC} = \text{MAX}$					
$I_{CC}$	Supply current	$V_{CC} = \text{MAX}, \text{All inputs at } 4.5 \text{ V}, \text{Outputs open}$		112	170		mA

† For conditions shown as MIN or MAX, use the appropriate value specified under recommended operating conditions.

‡ All typical values are at  $V_{CC} = 5 \text{ V}, T_A = 25^\circ\text{C}$ .

§ Not more than one output should be shorted at a time.



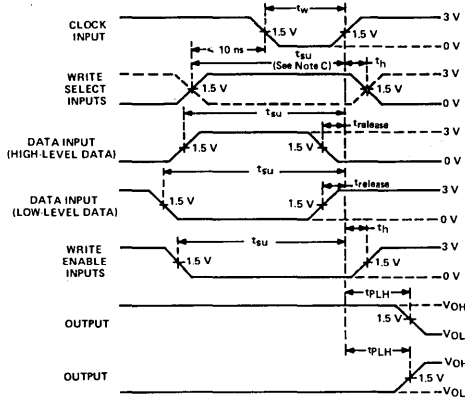
# TYPE SN74172

## 16-BIT MULTIPLE-PORT REGISTER FILE WITH 3-STATE OUTPUTS

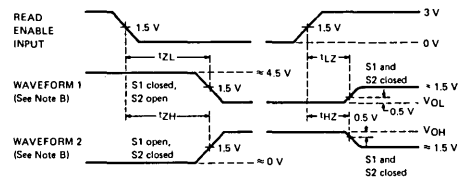
switching characteristics,  $V_{CC} = 5\text{ V}$ ,  $T_A = 25^\circ\text{C}$ ,  $R_L = 400\ \Omega$

PARAMETER		TEST CONDITIONS	MIN	TYP	MAX	UNIT
$f_{max}$	Maximum clock frequency		20			MHz
$t_{PLH}$	Propagation delay time, low-to-high-level output from read select	$C_L = 50\text{ pF}$ , See Figure 1		33	45	ns
$t_{PHL}$	Propagation delay time, high-to-low-level output from read select			30	45	
$t_{PLH}$	Propagation delay time, low-to-high-level output from clock			35	50	ns
$t_{PHL}$	Propagation delay time, high-to-low-level output from clock			35	50	
$t_{ZH}$	Output enable time to high level		14	30	ns	
$t_{ZL}$	Output enable time to low level		16	30		
$t_{HZ}$	Output disable time from high level	$C_L = 5\text{ pF}$ , See Figure 1		6	20	ns
$t_{LZ}$	Output disable time from low level			11	20	

### PARAMETER MEASUREMENT INFORMATION



SWITCHING TIMES FROM CLOCK INPUT

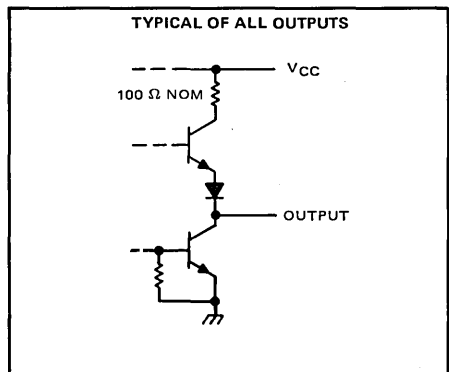
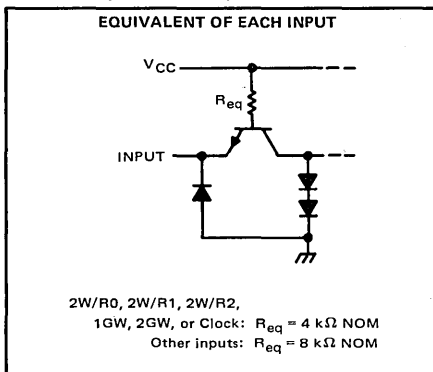


### ENABLE AND DISABLE TIMES FROM READ ENABLE

- NOTES:
- Input waveforms are supplied by pulse generators having the following characteristics:  $t_r \leq 7\text{ ns}$ ,  $PRR = 1\text{ MHz}$ ,  $Z_{out} \approx 50\ \Omega$ .
  - Waveform 1 is for an output with internal conditions such that the output is low except when disabled. Waveform 2 is for an output with internal conditions such that the output is high except when disabled.
  - Write select setup time, as specified, will protect data written into previous address.
  - Load circuit is shown on page 3-10.

VOLTAGE WAVEFORMS  
FIGURE 1

### schematics of inputs and outputs



TTL  
MSI

## TYPES SN54173, SN54LS173A, SN74173, SN74LS173A 4-BIT D-TYPE REGISTERS WITH 3-STATE OUTPUTS

BULLETIN NO. DL-S 11721, OCTOBER 1976—REVISED JANUARY 1981

- Three-State Outputs Interface Directly with System Bus
- Gated Output-Control Lines for Enabling or Disabling the Outputs
- Fully Independent Clock Virtually Eliminates Restrictions for Operating in One of Two Modes:

Parallel Load  
Do Nothing (Hold)

- For Application as Bus Buffer Registers

TYPE	TYPICAL PROPAGATION DELAY TIME	MAXIMUM CLOCK FREQUENCY	TYPICAL POWER DISSIPATION
'173	23 ns	35 MHz	250 mW
'LS173A	18 ns	50 MHz	95 mW

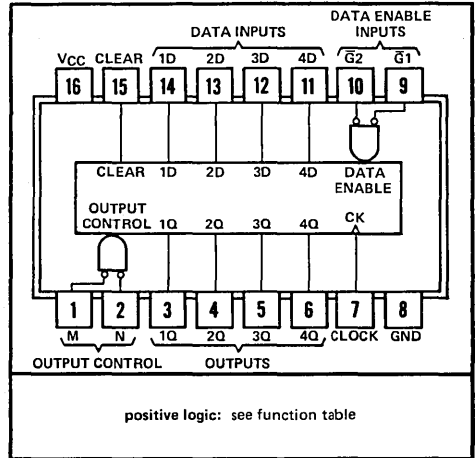
### description

The '173 and 'LS173A four-bit registers include D-type flip-flops featuring totem-pole three-state outputs capable of driving highly capacitive or relatively low-impedance loads. The high-impedance third state and increased high-logic-level drive provide these flip-flops with the capability of being connected directly to and driving the bus lines in a bus-organized system without need for interface or pull-up components. Up to 128 of the SN74173 or SN74LS173A outputs may be connected to a common bus and still drive two Series 54/74 or 54LS/74LS TTL normalized loads, respectively. Similarly, up to 49 of the SN54173 or SN54LS173A outputs can be connected to a common bus and drive one additional Series 54/74 or 54LS/74LS TTL normalized load, respectively. To minimize the possibility that two outputs will attempt to take a common bus to opposite logic levels, the output control circuitry is designed so that the average output disable times are shorter than the average output enable times.

Gated enable inputs are provided on these devices for controlling the entry of data into the flip-flops. When both data-enable inputs are low, data at the D inputs are loaded into their respective flip-flops on the next positive transition of the buffered clock input. Gate output control inputs are also provided. When both are low, the normal logic states (high or low levels) of the four outputs are available for driving the loads or bus lines. The outputs are disabled independently from the level of the clock by a high logic level at either output control input. The outputs then present a high impedance and neither load nor drive the bus line. Detailed operation is given in the function table.

SN54173, SN54LS173A ... J OR W PACKAGE  
SN74173, SN74LS173A ... J OR N PACKAGE

(TOP VIEW)



FUNCTION TABLE

CLEAR	CLOCK	INPUTS			OUTPUT Q
		DATA ENABLE		DATA D	
		$\bar{G}1$	$\bar{G}2$		
H	X	X	X	X	L
L	L	X	X	X	$Q_0$
L	↑	H	X	X	$Q_0$
L	↑	X	H	X	$Q_0$
L	↑	L	L	L	L
L	↑	L	L	H	H

When either M or N (or both) is (are) high the output is disabled to the high-impedance state; however sequential operation of the flip-flops is not affected.

Copyright © 1981 by Texas Instruments Incorporated

TEXAS INSTRUMENTS  
INCORPORATED

POST OFFICE BOX 225012 • DALLAS, TEXAS 75265

7-249

# TYPES SN54173, SN54LS173A, SN74173, SN74LS173A

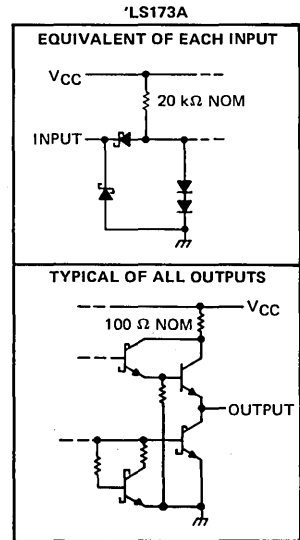
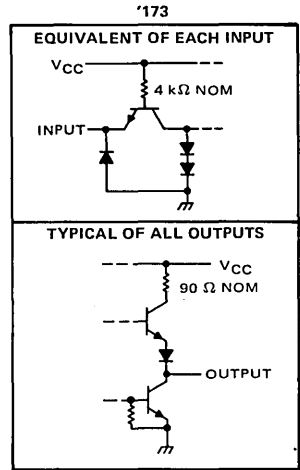
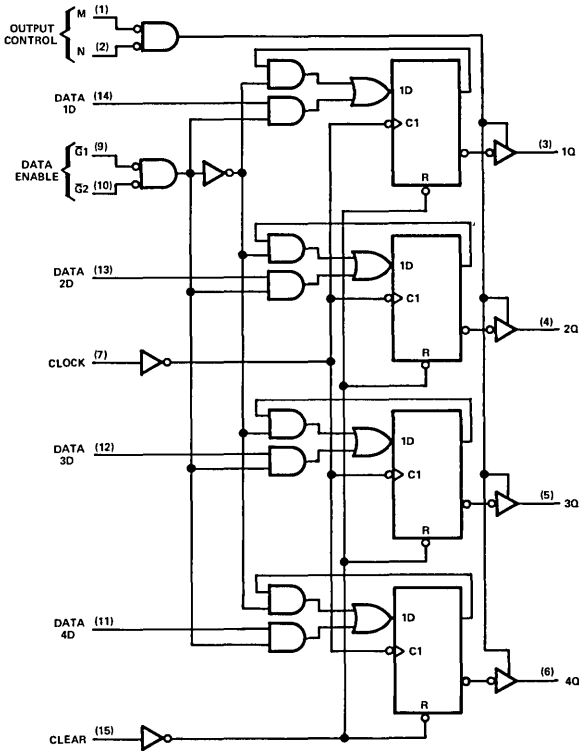
## 4-BIT D-TYPE REGISTERS WITH 3-STATE OUTPUTS

absolute maximum ratings over operating free-air temperature range (unless otherwise noted)

Supply voltage, $V_{CC}$ (see Note 1)	7 V
Input voltage: '173	5.5 V
'LS173A	7 V
Off-state output voltage	5.5 V
Operating free-air temperature range: SN54173, SN54LS173A	-55°C to 125°C
SN74173, SN74LS173A	0°C to 70°C
Storage temperature range	-65°C to 150°C

NOTE 1: Voltage values are with respect to network ground terminals.

functional block diagram and schematics of inputs and outputs



# TYPES SN54173, SN74173

## 4-BIT D-TYPE REGISTERS WITH 3-STATE OUTPUTS

### recommended operating conditions

		SN54173			SN74173			UNIT		
		MIN	NOM	MAX	MIN	NOM	MAX			
Supply voltage, $V_{CC}$		4.5	5	5.5	4.75	5	5.25	V		
High-level output current, $I_{OH}$					-2			-5.2	mA	
Low-level output current, $I_{OL}$					16			16	mA	
Input clock frequency, $f_{clock}$		0			25			25	MHz	
Width of clock or clear pulse, $t_w$		20			20				ns	
Setup time, $t_{su}$	Data enable	17			17				ns	
	Data	10			10					
	Clear inactive state	10			10					
Hold time, $t_h$	Data enable	2			2				ns	
	Data	10			10					
Operating free-air temperature, $T_A$		-55			125			0	70	°C

### electrical characteristics over recommended operating free-air temperature range (unless otherwise noted)

PARAMETER		TEST CONDITIONS†	MIN	TYP‡	MAX	UNIT
$V_{IH}$	High-level input voltage		2			V
$V_{IL}$	Low-level input voltage				0.8	V
$V_{IK}$	Input clamp voltage	$V_{CC} = \text{MIN}$ , $I_I = -12 \text{ mA}$			-1.5	V
$V_{OH}$	High-level output voltage	$V_{CC} = \text{MIN}$ , $V_{IH} = 2 \text{ V}$ , $V_{IL} = 0.8 \text{ V}$ , $I_{OH} = \text{MAX}$	2.4			V
$V_{OL}$	Low-level output voltage	$V_{CC} = \text{MIN}$ , $V_{IH} = 2 \text{ V}$ , $V_{IL} = 0.8 \text{ V}$ , $I_{OL} = 16 \text{ mA}$			0.4	V
$I_{O(\text{off})}$	Off-state (high-impedance state) output current	$V_{CC} = \text{MAX}$ , $V_O = 2.4 \text{ V}$ , $V_{IH} = 2 \text{ V}$ , $V_O = 0.4 \text{ V}$	40		-40	μA
$I_I$	Input current at maximum input voltage	$V_{CC} = \text{MAX}$ , $V_I = 5.5 \text{ V}$	1			mA
$I_{IH}$	High-level input current	$V_{CC} = \text{MAX}$ , $V_I = 2.4 \text{ V}$	40			μA
$I_{IL}$	Low-level input current	$V_{CC} = \text{MAX}$ , $V_I = 0.4 \text{ V}$			-1.6	mA
$I_{OS}$	Short-circuit output current§	$V_{CC} = \text{MAX}$	-30		-70	mA
$I_{CC}$	Supply current	$V_{CC} = \text{MAX}$ , See Note 2	50		72	mA

†For conditions shown as MIN or MAX, use the appropriate value specified under recommended operating conditions.

‡All typical values are at  $V_{CC} = 5 \text{ V}$ ,  $T_A = 25^\circ\text{C}$ .

§Not more than one output should be shorted at a time.

NOTE 2:  $I_{CC}$  is measured with all outputs open; clear grounded following momentary connection to 4.5 V; N, G1, G2, and all data inputs grounded; and the clock input and M at 4.5 V.

### switching characteristics, $V_{CC} = 5 \text{ V}$ , $T_A = 25^\circ\text{C}$ , $R_L = 400 \Omega$

PARAMETER		TEST CONDITIONS	MIN	TYP	MAX	UNIT
$f_{max}$	Maximum clock frequency		25	35		MHz
$t_{PHL}$	Propagation delay time, high-to-low-level output from clear input	$C_L = 50 \text{ pF}$ , See Note 3	18		27	ns
$t_{PLH}$	Propagation delay time, low-to-high-level output from clock input		28		43	
$t_{PHL}$	Propagation delay time, high-to-low-level output from clock input		19		31	
$t_{PZH}$	Output enable time to high level		7	16	30	
$t_{PZL}$	Output enable time to low level		7	21	30	ns
$t_{PHZ}$	Output disable time from high level	$C_L = 5 \text{ pF}$ , See Note 3	3	5	14	
$t_{PLZ}$	Output disable time from low level		3	11	20	

NOTE 3: Load circuits and voltage waveforms are shown on page 3-10.

# TYPES SN54LS173A, SN74LS173A

## 4-BIT D-TYPE REGISTERS WITH 3-STATE OUTPUTS

REVISED JANUARY 1981

### recommended operating conditions

	SN54LS173A			SN74LS173A			UNIT
	MIN	NOM	MAX	MIN	NOM	MAX	
Supply voltage, $V_{CC}$	4.5	5	5.5	4.75	5	5.25	V
High-level output current, $I_{OH}$			-1			-2.6	mA
Low-level output current, $I_{OL}$			12			24	mA
Input clock frequency, $f_{clock}$	0		30	0		30	MHz
Width of clock or clear pulse, $t_w$		20			20		ns
Setup time, $t_{su}$	Data enable	35		35			ns
	Data	17		17			
	Clear inactive state	10		10			
Hold time, $t_h$	Data enable	0		0			ns
	Data	0		0			
Operating free-air temperature, $T_A$		-55	125	0		70	°C

### electrical characteristics over recommended operating free-air temperature range (unless otherwise noted)

PARAMETER	TEST CONDITIONS†	SN54LS173A			SN74LS173A			UNIT
		MIN	TYP‡	MAX	MIN	TYP‡	MAX	
$V_{IH}$ High-level input voltage		2			2			V
$V_{IL}$ Low-level input voltage				0.7			0.8	V
$V_{IK}$ Input clamp voltage	$V_{CC} = \text{MIN}, I_I = -18 \text{ mA}$			-1.5			-1.5	V
$V_{OH}$ High-level output voltage	$V_{CC} = \text{MIN}, V_{IH} = 2 \text{ V}, V_{IL} = V_{ILmax}, I_{OH} = \text{MAX}$	2.4	3.4		2.4	3.1		V
$V_{OL}$ Low-level output voltage	$V_{CC} = \text{MIN}, V_{IL} = 0.8 \text{ V}, I_{OL} = 12 \text{ mA}, I_{OL} = 24 \text{ mA}$		0.25	0.4		0.25	0.4	V
$I_{O(off)}$ Off-state (high-impedance state) output current	$V_{CC} = \text{MAX}, V_{IH} = 2 \text{ V}, V_O = 2.7 \text{ V}, V_O = 0.4 \text{ V}$		20			20		μA
$I_I$ Input current at maximum input voltage	$V_{CC} = \text{MAX}, V_I = 7 \text{ V}$		0.1			0.1		mA
$I_{IH}$ High-level input current	$V_{CC} = \text{MAX}, V_I = 2.7 \text{ V}$		20			20		μA
$I_{IL}$ Low-level input current	$V_{CC} = \text{MAX}, V_I = 0.4 \text{ V}$		-0.4			-0.4		mA
$I_{OS}$ Short-circuit output current §	$V_{CC} = \text{MAX}$	-30		-130	-30		-130	mA
$I_{CC}$ Supply current	$V_{CC} = \text{MAX}, \text{ See Note 2}$		19	30		19	24	mA

† For conditions shown as MIN or MAX, use the appropriate value specified under recommended operating conditions.

‡ All typical values are at  $V_{CC} = 5 \text{ V}, T_A = 25^\circ\text{C}$ .

§ Not more than one output should be shorted at a time.

NOTE 2:  $I_{CC}$  is measured with all outputs open; clear grounded following momentary connection to 4.5 V; N, G1, G2, and all data inputs grounded; and the clock input and M at 4.5 V.

### switching characteristics, $V_{CC} = 5 \text{ V}, T_A = 25^\circ\text{C}, R_L = 667 \Omega$

PARAMETER	TEST CONDITIONS	MIN	TYP	MAX	UNIT
$f_{max}$ Maximum clock frequency		30	50		MHz
$t_{PHL}$ Propagation delay time, high-to-low-level output from clear input	$C_L = 45 \text{ pF}, \text{ See Note 3}$		26	35	ns
$t_{PLH}$ Propagation delay time, low-to-high-level output from clock input			17	25	ns
$t_{PHL}$ Propagation delay time, high-to-low-level output from clock input			22	30	ns
$t_{PZH}$ Output enable time to high level			15	23	ns
$t_{PZL}$ Output enable time to low level	$C_L = 5 \text{ pF}, \text{ See Note 3}$		18	27	ns
$t_{PHZ}$ Output disable time from high level			11	17	ns
$t_{PLZ}$ Output disable time from low level			11	17	ns

NOTE 3: Load circuits and voltage waveforms are shown on page 3-11.

# TYPES SN54174, SN54175, SN54LS174, SN54LS175, SN54S174, SN54S175, SN74174, SN74175, SN74LS174, SN74LS175, SN74S174, SN74S175 HEX/QUADRUPLE D-TYPE FLIP-FLOPS WITH CLEAR

BULLETIN NO. DLS 7611803, DECEMBER 1972—REVISED OCTOBER 1976

'174, 'LS174, 'S174 ... HEX D-TYPE FLIP-FLOPS

'175, 'LS175, 'S175 ... QUADRUPLE D-TYPE FLIP-FLOPS

- '174, 'LS174, 'S174 Contain Six Flip-Flops with Single-Rail Outputs
- '175, 'LS175, 'S175 Contain Four Flip-Flops with Double-Rail Outputs
- Three Performance Ranges Offered: See Table Lower Right
- Buffered Clock and Direct Clear Inputs
- Individual Data Input to Each Flip-Flop
- Applications include:  
Buffer/Storage Registers  
Shift Registers  
Pattern Generators

## description

These monolithic, positive-edge-triggered flip-flops utilize TTL circuitry to implement D-type flip-flop logic. All have a direct clear input, and the '175, 'LS175, and 'S175 feature complementary outputs from each flip-flops.

Information at the D inputs meeting the setup time requirements is transferred to the Q outputs on the positive-going edge of the clock pulse. Clock triggering occurs at a particular voltage level and is not directly related to the transition time of the positive-going pulse. When the clock input is at either the high or low level, the D input signal has no effect at the output.

These circuits are fully compatible for use with most TTL or DTL circuits.

FUNCTION TABLE  
(EACH FLIP-FLOP)

INPUTS			OUTPUTS	
CLEAR	CLOCK	D	Q	$\bar{Q}$ †
L	X	X	L	H
H	↑	H	H	L
H	↑	L	L	H
H	L	X	$Q_0$	$\bar{Q}_0$

H = high level (steady state)

L = low level (steady state)

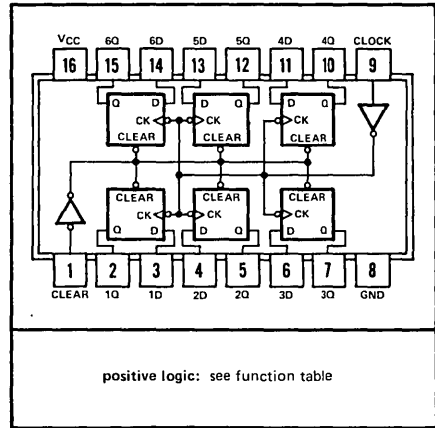
X = irrelevant

↑ = transition from low to high level

$Q_0$  = the level of Q before the indicated steady-state input conditions were established.

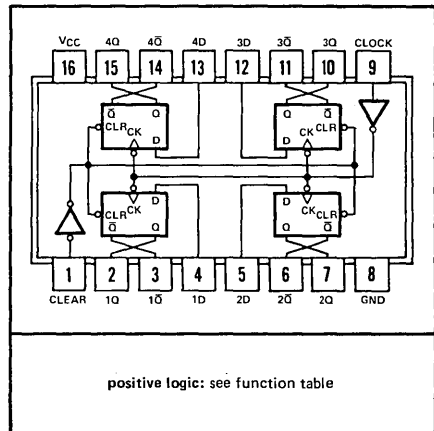
† = '175, 'LS175, and 'S175 only

SN54174, SN54LS174, SN54S174 ... J OR W PACKAGE  
SN74174, SN74LS174, SN74S174 ... J OR N PACKAGE  
(TOP VIEW)



positive logic: see function table

SN54175, SN54LS175, SN54S175 ... J OR W PACKAGE  
SN74175, SN74LS175, SN74S175 ... J OR N PACKAGE  
(TOP VIEW)



positive logic: see function table

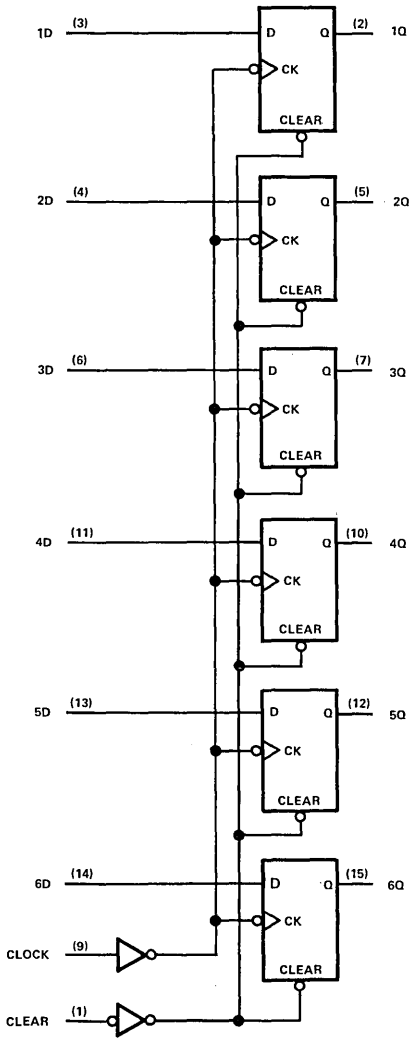
TYPES	TYPICAL	TYPICAL
	MAXIMUM	POWER
	CLOCK	DISSIPATION
'174, '175	35 MHz	38 mW
'LS174, 'LS175	40 MHz	14 mW
'S174, 'S175	110 MHz	75 mW

FREQUENCY PER FLIP-FLOP

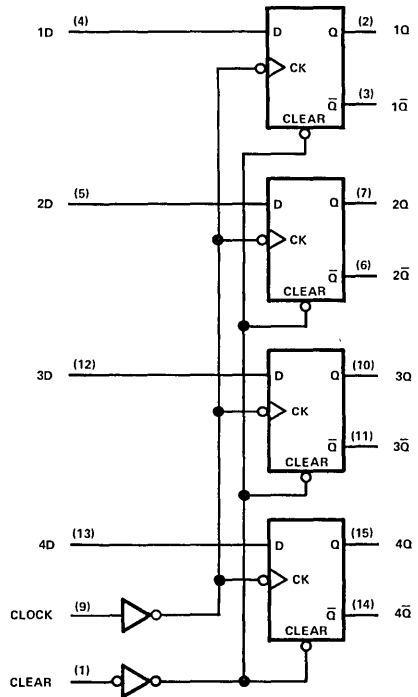
**TYPES SN54174, SN54175, SN54LS174, SN54LS175, SN54S174, SN54S175,  
SN74174, SN74175, SN74LS174, SN74LS175, SN74S174, SN74S175  
HEX/QUADRUPLE D-TYPE FLIP-FLOPS WITH CLEAR**


functional block diagrams

'174, 'LS174, 'S174



'175, 'LS175, 'S175



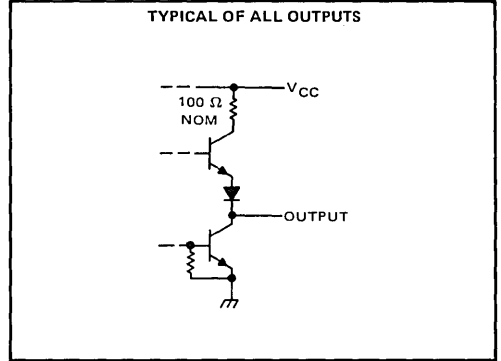
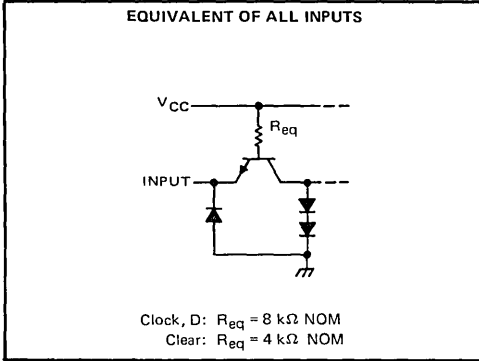
 ... dynamic input activated by transition from a high level to a low level.

**TYPES SN54174, SN54175, SN54LS174, SN54LS175, SN54S174, SN54S175,  
SN74174, SN74175, SN74LS174, SN74LS175, SN74S174, SN74S175  
HEX/QUADRUPLE D-TYPE FLIP-FLOPS WITH CLEAR**

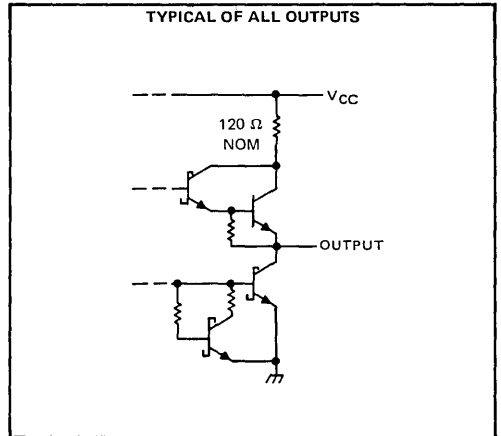
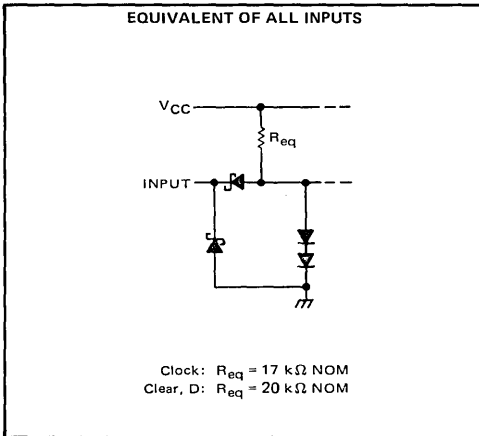
REVISED OCTOBER 1976

schematics of inputs and outputs

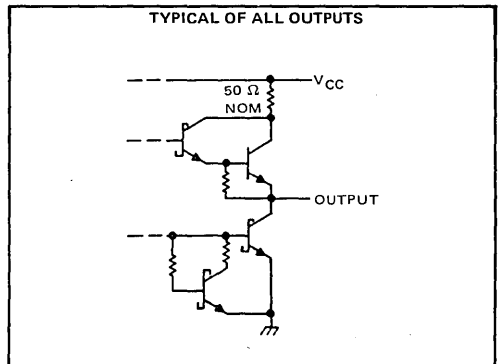
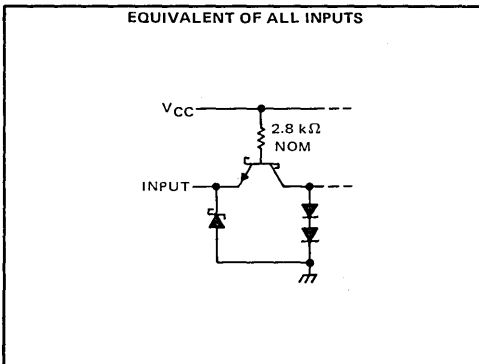
**SN54174, SN54175, SN74174, SN74175**



**SN54LS174, SN54LS175, SN74LS174, SN74LS175**



**SN54S174, SN54S175, SN74S174, SN74S175**



7



# TYPES SN54174, SN54175, SN74174, SN74175

## HEX/QUADRUPLE D-TYPE FLIP-FLOPS WITH CLEAR

absolute maximum ratings over operating free-air temperature range (unless otherwise noted)

Supply voltage, $V_{CC}$ (see Note 1)	7 V
Input voltage	5.5 V
Operating free-air temperature range: SN54174, SN54175 Circuits	-55°C to 125°C
SN74174, SN74175 Circuits	0°C to 70°C
Storage temperature range	-65°C to 150°C

NOTE 1: Voltage values are with respect to network ground terminal.

recommended operating conditions

	SN54174, SN54175			SN74174, SN74175			UNIT
	MIN	NOM	MAX	MIN	NOM	MAX	
Supply voltage, $V_{CC}$	4.5	5	5.5	4.75	5	5.25	V
High-level output current, $I_{OH}$	-800			-800			$\mu$ A
Low-level output current, $I_{OL}$	16			16			mA
Clock frequency, $f_{clock}$	0	25		0	25		MHz
Width of clock or clear pulse, $t_w$	20			20			ns
Setup time, $t_{su}$	Data input	20		20			ns
	Clear inactive-state	25		25			ns
Data hold time, $t_h$	5			5			ns
Operating free-air temperature, $T_A$	-55	125		0	70		°C

electrical characteristics over recommended operating free-air temperature range (unless otherwise noted)

PARAMETER	TEST CONDITIONS <sup>†</sup>	MIN	TYP <sup>‡</sup>	MAX	UNIT
$V_{IH}$ High-level input voltage		2			V
$V_{IL}$ Low-level input voltage		0.8			V
$V_{IK}$ Input clamp voltage	$V_{CC} = \text{MIN}$ , $I_I = -12 \text{ mA}$	-1.5			V
$V_{OH}$ High-level output voltage	$V_{CC} = \text{MIN}$ , $V_{IH} = 2 \text{ V}$ , $V_{IL} = 0.8 \text{ V}$ , $I_{OH} = -800 \mu\text{A}$	2.4	3.4		V
$V_{OL}$ Low-level output voltage	$V_{CC} = \text{MIN}$ , $V_{IH} = 2 \text{ V}$ , $V_{IL} = 0.8 \text{ V}$ , $I_{OL} = 16 \text{ mA}$		0.2	0.4	V
$I_I$ Input current at maximum input voltage	$V_{CC} = \text{MAX}$ , $V_I = 5.5 \text{ V}$	1			mA
$I_{IH}$ High-level input current	$V_{CC} = \text{MAX}$ , $V_I = 2.4 \text{ V}$	40			$\mu$ A
$I_{IL}$ Low-level input current	$V_{CC} = \text{MAX}$ , $V_I = 0.4 \text{ V}$	-1.6			mA
$I_{OS}$ Short-circuit output current <sup>§</sup>	$V_{CC} = \text{MAX}$	SN54 <sup>*</sup>	-20	-57	mA
		SN74 <sup>*</sup>	-18	-57	
$I_{CC}$ Supply current	$V_{CC} = \text{MAX}$ , See Note 2	'174	45	65	mA
		'175	30	45	

<sup>†</sup>For conditions shown as MIN or MAX, use the appropriate value specified under recommended operating conditions for the applicable device type.

<sup>‡</sup>All typical values are at  $V_{CC} = 5 \text{ V}$ ,  $T_A = 25^\circ\text{C}$ .

<sup>§</sup>Not more than one output should be shorted at a time.

NOTE 2: With all outputs open and 4.5 V applied to all data and clear inputs,  $I_{CC}$  is measured after a momentary ground, then 4.5 V, is applied to clock.

switching characteristics,  $V_{CC} = 5 \text{ V}$ ,  $T_A = 25^\circ\text{C}$

PARAMETER	TEST CONDITIONS	MIN	TYP	MAX	UNIT
$f_{max}$ Maximum clock frequency	$C_L = 15 \text{ pF}$ , $R_L = 400 \Omega$ , See Note 3	25	35		MHz
$t_{PLH}$ Propagation delay time, low-to-high-level output from clear (SN54175, SN74175 only)		16	25		ns
$t_{PHL}$ Propagation delay time, high-to-low-level output from clear		23	35		ns
$t_{PLH}$ Propagation delay time, low-to-high-level output from clock		20	30		ns
$t_{PHL}$ Propagation delay time, high-to-low-level output from clock		24	35		ns

NOTE 3: Load circuit and voltage waveforms are shown on page 3-10.

# TYPES SN54LS174, SN54LS175, SN74LS174, SN74LS175 HEX/QUADRUPLE D-TYPE FLIP-FLOPS WITH CLEAR

REVISED DECEMBER 1980

## absolute maximum ratings over operating free-air temperature range (unless otherwise noted)

Supply voltage, $V_{CC}$ (see Note 1)	7 V
Input voltage	7 V
Operating free-air temperature range: SN54LS174, SN54LS175 Circuits	-55°C to 125°C
SN74LS174, SN74LS175 Circuits	0°C to 70°C
Storage temperature range	-65°C to 150°C

NOTE 1: Voltage values are with respect to network ground terminal.

## recommended operating conditions

	SN54LS174 SN54LS175			SN74LS174 SN74LS175			UNIT
	MIN	NOM	MAX	MIN	NOM	MAX	
Supply voltage, $V_{CC}$	4.5	5	5.5	4.75	5	5.25	V
High-level output current, $I_{OH}$	-400			-400			$\mu$ A
Low-level output current, $I_{OL}$	4			8			mA
Clock frequency, $f_{clock}$	0			30			MHz
Width of clock or clear pulse, $t_w$	20			20			ns
Setup time, $t_{su}$	Data input			20			ns
	Clear inactive-state			25			ns
Data hold time, $t_h$	5			5			ns
Operating free-air temperature, $T_A$	-55			125			0
				70			°C

## electrical characteristics over recommended operating free-air temperature range (unless otherwise noted)

PARAMETER	TEST CONDITIONS†	SN54LS174 SN54LS175			SN74LS174 SN74LS175			UNIT
		MIN	TYP‡	MAX	MIN	TYP‡	MAX	
$V_{IH}$ High-level input voltage		2			2			V
$V_{IL}$ Low-level input voltage		0.7			0.8			V
$V_{IK}$ Input clamp voltage	$V_{CC} = \text{MIN}, I_I = -18 \text{ mA}$	-1.5			-1.5			V
$V_{OH}$ High-level output voltage	$V_{CC} = \text{MIN}, V_{IH} = 2 \text{ V}, V_{IL} = V_{IL \text{ max}}, I_{OH} = -400 \mu\text{A}$	2.5	3.5		2.7	3.5		V
$V_{OL}$ Low-level output voltage	$V_{CC} = \text{MIN}, V_{IH} = 2 \text{ V}, V_{IL} = V_{IL \text{ max}}$	$I_{OL} = 4 \text{ mA}$		0.25	0.4	0.25	0.4	V
		$I_{OL} = 8 \text{ mA}$				0.35	0.5	
$I_I$ Input current at maximum input voltage	$V_{CC} = \text{MAX}, V_I = 7 \text{ V}$	0.1			0.1			mA
$I_{IH}$ High-level input current	$V_{CC} = \text{MAX}, V_I = 2.7 \text{ V}$	20			20			$\mu$ A
$I_{IL}$ Low-level input current	$V_{CC} = \text{MAX}, V_I = 0.4 \text{ V}$	-0.4			-0.4			mA
$I_{OS}$ Short-circuit output current §	$V_{CC} = \text{MAX}$	-20			-20			mA
$I_{CC}$ Supply current	$V_{CC} = \text{MAX},$ See Note 2	'LS174		16	26	16	26	mA
		'LS175		11	18	11	18	

† For conditions shown as MIN or MAX, use the appropriate value specified under recommended operating conditions.

‡ All typical values are at  $V_{CC} = 5 \text{ V}, T_A = 25^\circ\text{C}$ .

§ Not more than one output should be shorted at a time, and duration of the short-circuit should not exceed one second.

NOTE 2: With all outputs open and 4.5 V applied to all data and clear inputs,  $I_{CC}$  is measured after a momentary ground, then 4.5 V, is applied to clock.

## switching characteristics, $V_{CC} = 5 \text{ V}, T_A = 25^\circ\text{C}$

PARAMETER	TEST CONDITIONS	'LS174			'LS175			UNIT	
		MIN	TYP	MAX	MIN	TYP	MAX		
$f_{max}$ Maximum clock frequency	$C_L = 15 \text{ pF},$ $R_L = 2 \text{ k}\Omega,$ See Note 4	30	40		30	40		MHz	
$t_{PLH}$ Propagation delay time, low-to-high-level output from clear					20	30		ns	
$t_{PHL}$ Propagation delay time, high-to-low-level output from clear					23	35		ns	
$t_{PLH}$ Propagation delay time, low-to-high-level output from clock					20	30	13	25	ns
$t_{PHL}$ Propagation delay time, high-to-low-level output from clock					21	30	16	25	ns

NOTE 4: Load circuit and voltage waveforms are shown on page 3-11.

# TYPES SN54S174, SN54S175, SN74S174, SN74S175

## HEX/QUADRUPLE D-TYPE FLIP-FLOPS WITH CLEAR

absolute maximum ratings over operating free-air temperature range (unless otherwise noted)

Supply voltage, $V_{CC}$ (see Note 1)	7 V
Input voltage	5.5 V
Operating free-air temperature range: SN54S174, SN54S175 Circuits	-55°C to 125°C
SN74S174, SN74S175 Circuits	0°C to 70°C
Storage temperature range	-65°C to 150°C

NOTE 1: Voltage values are with respect to network ground terminal.

### recommended operating conditions

	SN54S174, SN54S175			SN74S174, SN74S175			UNIT
	MIN	NOM	MAX	MIN	NOM	MAX	
Supply voltage, $V_{CC}$	4.5	5	5.5	4.75	5	5.25	V
High-level output current, $I_{OH}$			-1			-1	mA
Low-level output current, $I_{OL}$			20			20	mA
Clock frequency, $f_{clock}$	0		75	0		75	MHz
Pulse width, $t_w$	Clock		7	7			ns
	Clear		10	10			
Setup time, $t_{su}$	Data input		5	5			ns
	Clear inactive-state		5	5			
Data hold time, $t_h$			3	3			ns
Operating free-air temperature, $T_A$	-55		125	0		70	°C

### electrical characteristics over recommended operating free-air temperature range (unless otherwise noted)

PARAMETER	TEST CONDITIONS†	MIN	TYP‡	MAX	UNIT
$V_{IH}$ High-level input voltage		2			V
$V_{IL}$ Low-level input voltage				0.8	V
$V_{IK}$ Input clamp voltage	$V_{CC} = \text{MIN}, I_I = -18 \text{ mA}$			-1.2	V
$V_{OH}$ High-level output voltage	$V_{CC} = \text{MIN}, V_{IH} = 2 \text{ V}, V_{IL} = 0.8 \text{ V}, I_{OH} = -1 \text{ mA}$	SN54S'	2.5	3.4	V
		SN74S'	2.7	3.4	
$V_{OL}$ Low-level output voltage	$V_{CC} = \text{MIN}, V_{IH} = 2 \text{ V}, V_{IL} = 0.8 \text{ V}, I_{OL} = 20 \text{ mA}$			0.5	V
$I_I$ Input current at maximum input voltage	$V_{CC} = \text{MAX}, V_I = 5.5 \text{ V}$			1	mA
$I_{IH}$ High-level input current	$V_{CC} = \text{MAX}, V_I = 2.7 \text{ V}$			50	μA
$I_{IL}$ Low-level input current	$V_{CC} = \text{MAX}, V_I = 0.5 \text{ V}$			-2	mA
$I_{OS}$ Short-circuit output current §	$V_{CC} = \text{MAX}$	-40		-100	mA
$I_{CC}$ Supply current	$V_{CC} = \text{MAX}, \text{ See Note 2}$	'174	90	144	mA
		'175	60	96	

†For conditions shown as MIN or MAX, use the appropriate value specified under recommended operating conditions for the applicable device type.

‡All typical values are at  $V_{CC} = 5 \text{ V}, T_A = 25^\circ\text{C}$ .

§Not more than one output should be shorted at a time, and duration of the short-circuit should not exceed one second.

NOTE 2: With all outputs open and 4.5 V applied to all data and clear inputs,  $I_{CC}$  is measured after a momentary ground, then 4.5 V, is applied to clock.

### switching characteristics, $V_{CC} = 5 \text{ V}, T_A = 25^\circ\text{C}$

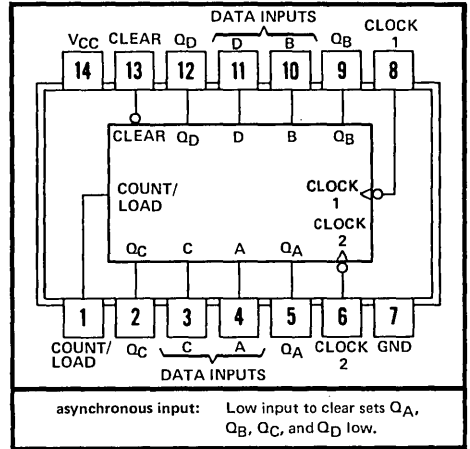
PARAMETER	TEST CONDITIONS	MIN	TYP	MAX	UNIT
$f_{max}$ Maximum clock frequency	$C_L = 15 \text{ pF}, R_L = 280 \Omega, \text{ See Note 3}$	75	110		MHz
$t_{PLH}$ Propagation delay time, low-to-high-level $\bar{Q}$ output from clear (SN54S175, SN74S175 only)		10	15		ns
$t_{PHL}$ Propagation delay time, high-to-low-level Q output from clear		13	22		ns
$t_{PLH}$ Propagation delay time, low-to-high-level output from clock		8	12		ns
$t_{PHL}$ Propagation time, high-to-low-level output from clock		11.5	17		ns

NOTE 3: Load circuit and voltage waveforms are shown on page 3-10.

**TYPES SN54176, SN54177, SN74176, SN74177**  
**35-MHz PRESETTABLE DECADE AND**  
**BINARY COUNTERS/LATCHES**

BULLETIN NO. DL-S 7211478, MAY 1971—REVISED DECEMBER 1972

SN54176, SN54177 ... J OR W PACKAGE  
SN74176, SN74177 ... J OR N PACKAGE  
(TOP VIEW)



- Reduced-Power Versions of SN54196, SN54197, SN74196, and SN74197 50-MHz Counters
- D-C Coupled Counters Designed to Replace Signetics 8280, 8281, 8290, and 8291 Counters in Most Applications
- Performs BCD, Bi-Quinary, or Binary Counting
- Fully Programmable
- Fully Independent Clear Input
- Guaranteed to Count at Input Frequencies from 0 to 35 MHz
- Input Clamping Diodes Simplify System Design

**description**

These high-speed monolithic counters consist of four d-c coupled master-slave flip-flops which are internally interconnected to provide either a divide-by-two and a divide-by-five counter (SN54176, SN74176) or a divide-by-two and a divide-by-eight counter (SN54177, SN74177). These counters are fully programmable; that is, the outputs may be preset to any state by placing a low on the count/load input and entering the desired data at the data inputs. The outputs will change to agree with the data inputs independent of the state of the clocks.

These counters may also be used as 4-bit latches by using the count/load input as the strobe and entering data at the data inputs. The outputs will directly follow the data inputs when the count/load is low, but will remain unchanged when the count/load is high and the clock inputs are inactive.

These high-speed counters will accept count frequencies of 0 to 35 megahertz at the clock-1 input and 0 to 17.5 megahertz at the clock-2 input. During the count operation, transfer of information to the outputs occurs on the negative-going edge of the clock pulse. The counters feature a direct clear which when taken low sets all outputs low regardless of the states of the clocks.

All inputs are diode-clamped to minimize transmission-line effects and simplify system design. The circuits are compatible with most TTL and DTL logic families. Typical power dissipation is 150 milliwatts. The SN54176 and SN54177 circuits are characterized for operation over the full military temperature range of  $-55^{\circ}\text{C}$  to  $125^{\circ}\text{C}$ ; the SN74176 and SN74177 circuits are characterized for operation from  $0^{\circ}\text{C}$  to  $70^{\circ}\text{C}$ .

# TYPES SN54176, SN54177, SN74176, SN74177

## 35-MHz PRESETTABLE DECADE AND BINARY COUNTERS/LATCHES

### typical count configurations

#### SN54176 and SN74176

The output of flip-flop A is not internally connected to the succeeding flip-flops; therefore, the count may be operated in three independent modes:

1. When used as a binary-coded-decimal decade counter, the clock-2 input must be externally connected to the  $Q_A$  output. The clock-1 input receives the incoming count, and a count sequence is obtained in accordance with the BCD count sequence function table shown at right.
2. If a symmetrical divide-by-ten count is desired for frequency synthesizers (or other applications requiring division of a binary count by a power of ten), the  $Q_D$  output must be externally connected to the clock-1 input. The input count is then applied at the clock-2 input and a divide-by-ten square wave is obtained at output  $Q_A$  in accordance with the bi-quinary function table.

3. For operation as a divide-by-two counter and a divide-by-five counter, no external interconnections are required. Flip-flop A is used as a binary element for the divide-by-two function. The clock-2 input is used to obtain binary divide-by-five operation at the  $Q_B$ ,  $Q_C$ , and  $Q_D$  outputs. In this mode, the two counters operate independently; however, all four flip-flops are loaded and cleared simultaneously.

#### SN54177 and SN74177

The output of flip-flop A is not internally connected to the succeeding flip-flops, therefore the counter may be operated in two independent modes:

1. When used as a high-speed 4-bit ripple-through counter, output  $Q_A$  must be externally connected to the clock-2 input. The input count pulses are applied to the clock-1 input. Simultaneous divisions by 2, 4, 8, and 16 are performed at the  $Q_A$ ,  $Q_B$ ,  $Q_C$ , and  $Q_D$  outputs as shown in the function table at right.
2. When used as a 3-bit ripple-through counter, the input count pulses are applied to the clock-2 input. Simultaneous frequency divisions by 2, 4, and 8 are available at the  $Q_B$ ,  $Q_C$ , and  $Q_D$  outputs. Independent use of flip-flop A is available if the load and clear functions coincide with those of the 3-bit ripple-through counter.

#### SN54176, SN74176

##### FUNCTION TABLES

##### DECADE (BCD)

(See Note A)

COUNT	OUTPUT			
	$Q_D$	$Q_C$	$Q_B$	$Q_A$
0	L	L	L	L
1	L	L	L	H
2	L	L	H	L
3	L	L	H	H
4	L	H	L	L
5	L	H	L	H
6	L	H	H	L
7	L	H	H	H
8	H	L	L	L
9	H	L	L	H

##### BI-QUINARY (5-2)

(See Note B)

COUNT	OUTPUT			
	$Q_A$	$Q_D$	$Q_C$	$Q_B$
0	L	L	L	L
1	L	L	L	H
2	L	L	H	L
3	L	L	H	H
4	L	H	L	L
5	H	L	L	L
6	H	L	L	H
7	H	L	H	L
8	H	L	H	H
9	H	H	L	L

H = high level, L = low level

NOTES: A. Output  $Q_A$  connected to clock-2 input.  
B. Output  $Q_D$  connected to clock-1 input.

#### SN54177, SN74177

##### FUNCTION TABLE

(See Note A)

COUNT	OUTPUT			
	$Q_D$	$Q_C$	$Q_B$	$Q_A$
0	L	L	L	L
1	L	L	L	H
2	L	L	H	L
3	L	L	H	H
4	L	H	L	L
5	L	H	L	H
6	L	H	H	L
7	L	H	H	H
8	H	L	L	L
9	H	L	L	H
10	H	L	H	L
11	H	L	H	H
12	H	H	L	L
13	H	H	L	H
14	H	H	H	L
15	H	H	H	H

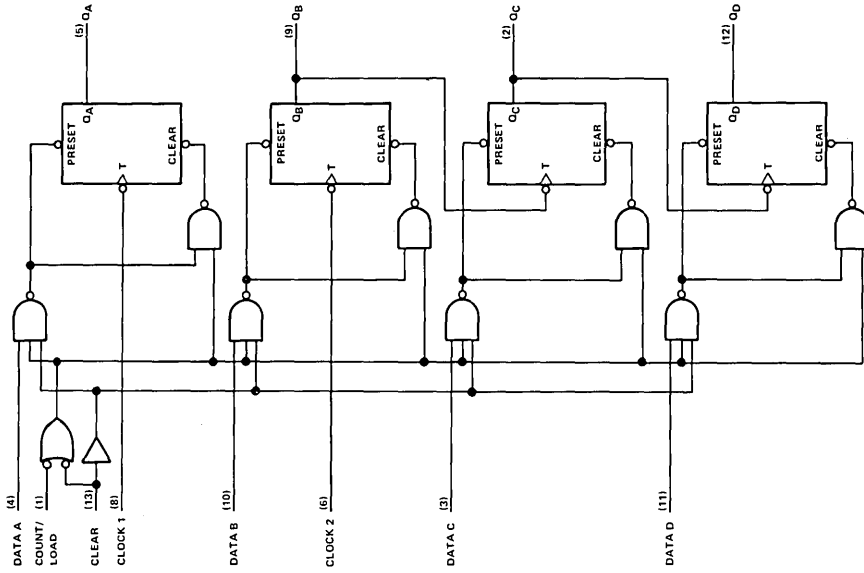
H = high level, L = low level

NOTE A: Output  $Q_A$  connected to clock-2 input.

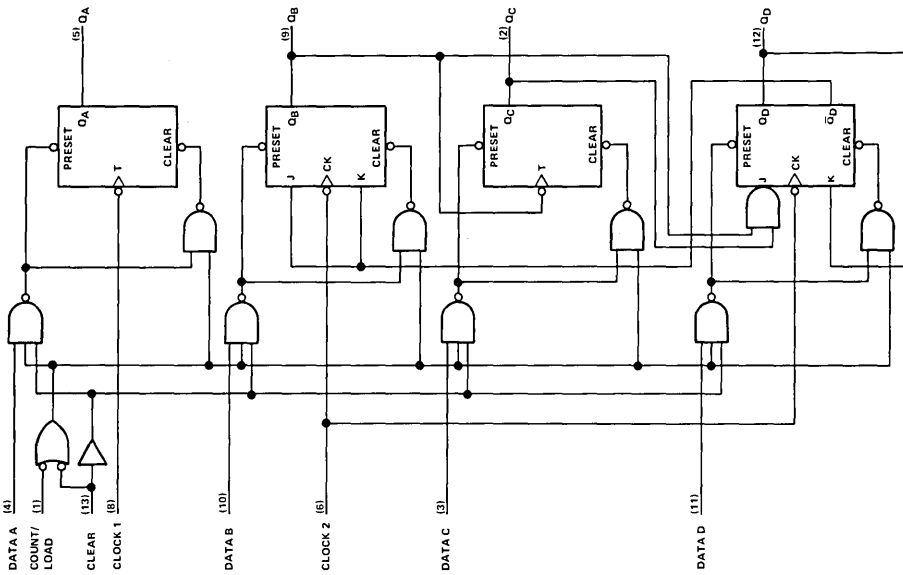
# TYPES SN54176, SN54177, SN74176, SN74177 35-MHz PRESETTABLE DECADE AND BINARY COUNTERS/LATCHES

functional block diagrams

SN54177, SN74177



SN54176, SN74176

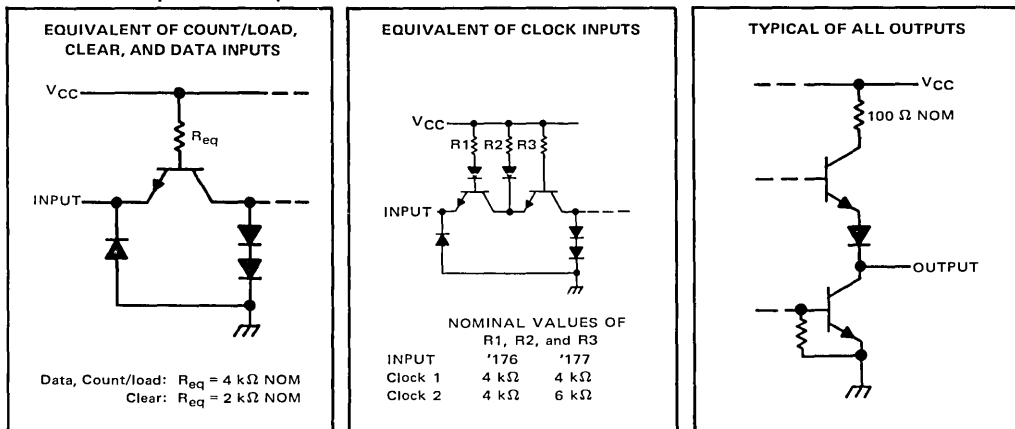


... dynamic input activated by transition from a high level to a low level

# TYPES SN54176, SN54177, SN74176, SN74177

## 35-MHz PRESETTABLE DECADE AND BINARY COUNTERS/LATCHES

### schematics of inputs and outputs



absolute maximum ratings over operating free-air temperature range (unless otherwise noted)

Supply voltage, $V_{CC}$ (see Note 1)	7 V
Input voltage	5.5 V
Interemitter voltage (see Note 2)	5.5 V
Operating free-air temperature range: SN54176, SN54177 Circuits	-55°C to 125°C
SN74176, SN74177 Circuits	0°C to 70°C
Storage temperature range	-65°C to 150°C

- NOTES: 1. Voltage values are with respect to network ground terminal.  
 2. This is the voltage between two emitters of a multiple-emitter transistor. For this circuit, this rating applies between the clear and count/load inputs.

### recommended operating conditions

		MIN	NOM	MAX	UNIT
Supply voltage, $V_{CC}$	SN54'	4.5	5	5.5	V
	SN74'	4.75	5	5.25	
High-level output current, $I_{OH}$				-800	$\mu A$
Low-level output current, $I_{OL}$				16	mA
Count frequency (see Figure 1)	Clock-1 input	0		35	MHz
	Clock-2 input	0		17.5	
Pulse width, $t_w$ (see Figure 1)	Clock-1 input		14		ns
	Clock-2 input		28		
	Clear		20		
	Load		25		
Input hold time, $t_h$ (see Figure 1)	High-level data	$t_{w(load)}$			ns
	Low-level data	$t_{w(load)}$			
Input setup time, $t_{SU}$ (see Figure 1)	High-level data		15		ns
	Low-level data		20		
Count enable time, $t_{enable}$ (see Note 3 and Figure 1)			25		ns
Operating free-air temperature, $T_A$	SN54'		-55	125	°C
	SN74'		0	70	

NOTE 3: Minimum count enable time is the interval immediately preceding the negative-going edge of the clock pulse during which interval the count/load and clear inputs must both be high to ensure counting.

# TYPES SN54176, SN54177, SN74176, SN74177 35-MHz PRESETTABLE DECADE AND BINARY COUNTERS/LATCHES

electrical characteristics over recommended operating free-air temperature range (unless otherwise noted)

PARAMETER		TEST CONDITIONS†	SN54176, SN74176		SN54177, SN74177		UNIT	
			MIN	TYP‡	MAX	MIN		TYP‡
V <sub>IH</sub>	High-level input voltage		2		2		V	
V <sub>IL</sub>	Low-level input voltage				0.8		V	
V <sub>IK</sub>	Input clamp voltage	V <sub>CC</sub> = MIN, I <sub>I</sub> = -12 mA			-1.5		V	
V <sub>OH</sub>	High-level output voltage	V <sub>CC</sub> = MIN, V <sub>IH</sub> = 2 V, V <sub>IL</sub> = 0.8 V, I <sub>OH</sub> = -800 µA	2.4	3.4	2.4	3.4	V	
V <sub>OL</sub>	Low-level output voltage	V <sub>CC</sub> = MIN, V <sub>IH</sub> = 2 V, V <sub>IL</sub> = 0.8 V, I <sub>OL</sub> = 16 mA¶	0.2	0.4	0.2	0.4	V	
I <sub>I</sub>	Input current at maximum input voltage	V <sub>CC</sub> = MAX, V <sub>I</sub> = 5.5 V	1		1		mA	
I <sub>IH</sub>	High-level input current	Data, count/load	40		40		µA	
		Clear, clock 1	80		80			
		Clock 2	120		80			
I <sub>IL</sub>	Low-level input current	Data, count/load	-1.6		-1.6		mA	
		Clear	-3.2		-3.2			
		Clock 1	-4.8		-4.8			
		Clock 2	-4.8		-3.2			
I <sub>OS</sub>	Short-circuit output current §	V <sub>CC</sub> = MAX	SN54'	-20	-57	-20	-57	mA
			SN74'	-18	-57	-18	-57	
I <sub>CC</sub>	Supply current	V <sub>CC</sub> = MAX, See Note 4	30	48	30	48	mA	

NOTE 4: I<sub>CC</sub> is measured with all inputs grounded and all outputs open.

† For conditions shown as MIN or MAX, use the appropriate value specified under recommended operating conditions.

‡ All typical values are at V<sub>CC</sub> = 5 V, T<sub>A</sub> = 25°C.

¶ Q<sub>A</sub> outputs are tested at I<sub>OL</sub> = 16 mA plus the limit value of I<sub>IL</sub> for the clock-2 input. This permits driving the clock-2 input while fanning out to 10 Series 54/74 loads.

§ Not more than one output should be shorted at a time.

switching characteristics, V<sub>CC</sub> = 5 V, R<sub>L</sub> = 400 Ω, C<sub>L</sub> = 15 pF, T<sub>A</sub> = 25°C, see figure 1

PARAMETER <sup>◇</sup>	FROM (INPUT)	TO (OUTPUT)	SN54176, SN74176			SN54177, SN54177			UNIT
			MIN	TYP	MAX	MIN	TYP	MAX	
f <sub>max</sub>	Clock 1	Q <sub>A</sub>	35	50		35	50		MHz
t <sub>PLH</sub>	Clock 1	Q <sub>A</sub>	8		13	8		13	ns
t <sub>PHL</sub>			11		17	11		17	
t <sub>PLH</sub>	Clock 2	Q <sub>B</sub>	11		17	11		17	ns
t <sub>PHL</sub>			17		26	17		26	
t <sub>PLH</sub>	Clock 2	Q <sub>C</sub>	27		41	27		41	ns
t <sub>PHL</sub>			34		51	34		51	
t <sub>PLH</sub>	Clock 2	Q <sub>D</sub>	13		20	44		66	ns
t <sub>PHL</sub>			17		26	50		75	
t <sub>PLH</sub>	A, B, C, D	Q <sub>A</sub> , Q <sub>B</sub> , Q <sub>C</sub> , Q <sub>D</sub>	19		29	19		29	ns
t <sub>PHL</sub>			31		46	31		46	
t <sub>PLH</sub>	Load	Any	29		43	29		43	ns
t <sub>PHL</sub>			32		48	32		48	
t <sub>PHL</sub>	Clear	Any	32		48	32		48	ns

◇ f<sub>max</sub> ≡ maximum count frequency

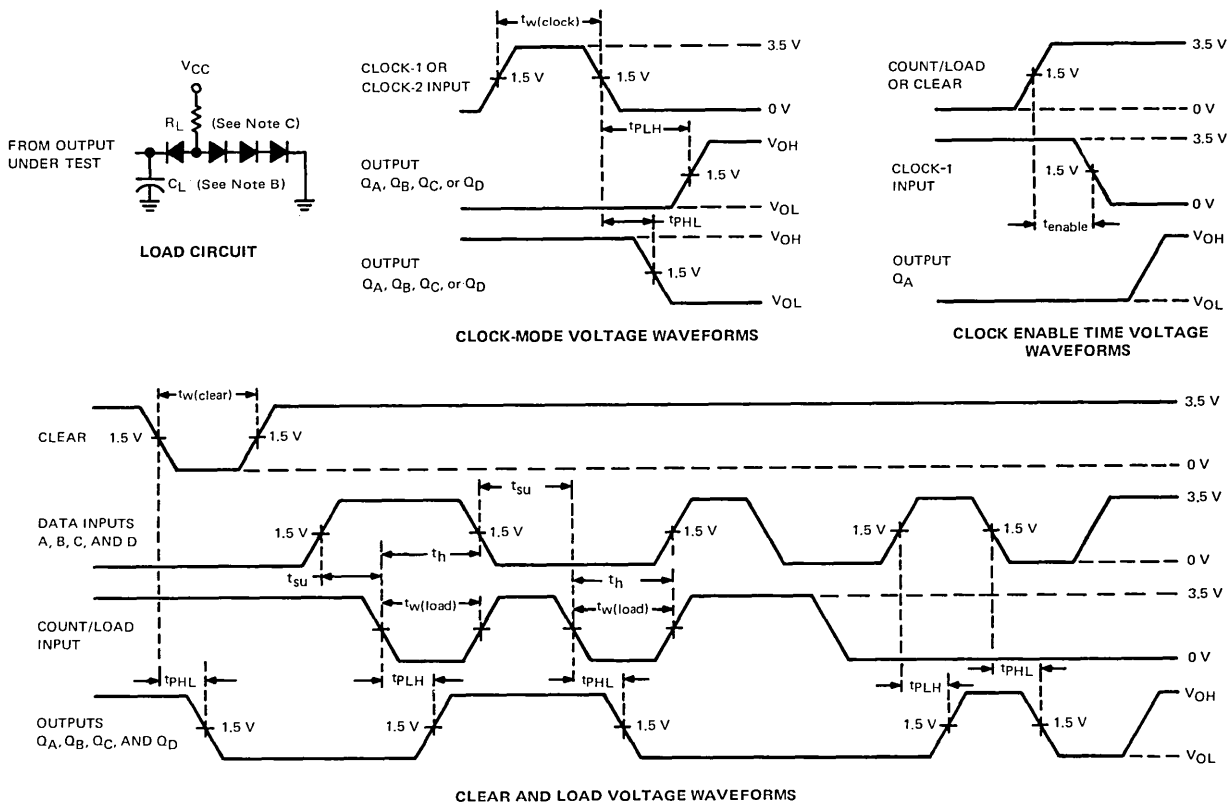
t<sub>PLH</sub> ≡ propagation delay time, low-to-high-level output

t<sub>PHL</sub> ≡ propagation delay time, high-to-low-level output



**TYPES SN54176, SN54177, SN74176, SN74177  
35-MHz PRESETTABLE DECADE AND  
BINARY COUNTERS/LATCHES**

**PARAMETER MEASUREMENT INFORMATION**



**FIGURE 1**

- NOTES: A. The input pulse is supplied by a generator having the following characteristics: PRR  $\leq$  1 MHz, duty cycle  $\leq$  50%,  $t_r <$  5 ns, and unless specified,  $t_f <$  5 ns. When testing  $f_{max}$ , vary PRR.
- B.  $C_L$  includes probe and jig capacitance.
- C. All diodes are 1N3064.
- D. Unless otherwise specified,  $Q_A$  is connected to clock 2.

- Typical Maximum Clock Frequency . . . 39 MHz
- Three Operating Modes:  
Synchronous Parallel Load  
Right Shift  
Hold (Do Nothing)
- Negative-Edge-Triggered Clocking
- D-C Coupling Simplifies System Designs

description

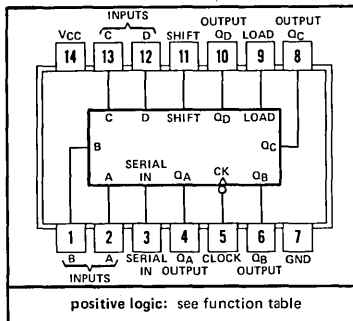
These shift registers utilize fully d-c coupled storage elements and feature synchronous parallel inputs and parallel outputs. The SN54179/SN74179 has a direct clear line and complementary output from the D flip-flop, thereby differing from the SN54178/SN74178.

Parallel loading is accomplished by taking the shift input low, applying the four bits of data, and taking the load input high. The data is loaded into the associated flip-flop synchronously and appears at the outputs after a high-to-low transition of the clock. During loading, serial data flow is inhibited.

Shift right is also accomplished on the falling edge of the clock pulse when the shift input is high regardless of the level of the load input. Serial data for this mode is entered at the serial data input.

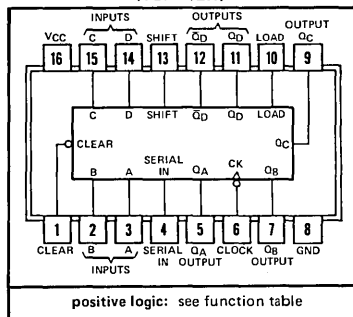
When both the shift and load inputs are low, clocking of the register can continue; however, data appearing at each output is fed back to the flip-flop input creating a mode in which the data is held unchanged. Thus, the system clock may be left free-running without changing the contents of the register.

SN54178 . . . J OR W PACKAGE  
SN74178 . . . J OR N PACKAGE  
(TOP VIEW)



positive logic: see function table

SN54179 . . . J OR W PACKAGE  
SN74179 . . . J OR N PACKAGE  
(TOP VIEW)



positive logic: see function table

'178, '179†  
FUNCTION TABLE

INPUTS					OUTPUTS								
CLEAR†	SHIFT	LOAD	CLOCK	SERIAL	PARALLEL				QA	QB	Qc	QD	QD†
					A	B	C	D					
L	X	X	X	X	X	X	X	X	L	L	L	L	H
H	X	X	H	X	X	X	X	X	QA0	QB0	Qc0	QD0	QD0
H	L	L	↓	X	a	b	c	d	a	b	c	d	d̄
H	H	X	↓	H	X	X	X	X	QA	QB	Qc	QD	Qc
H	H	X	↓	L	X	X	X	X	L	QA	QB	Qc	Qc

†The columns for clear, QD, and the top line of the table apply for the '179 only.

H = high level (steady state), L = low level (steady state)

X = irrelevant (any input, including transitions)

↓ = transition from high to low level

a, b, c, d = the level of steady-state input at inputs A, B, C, or D, respectively.

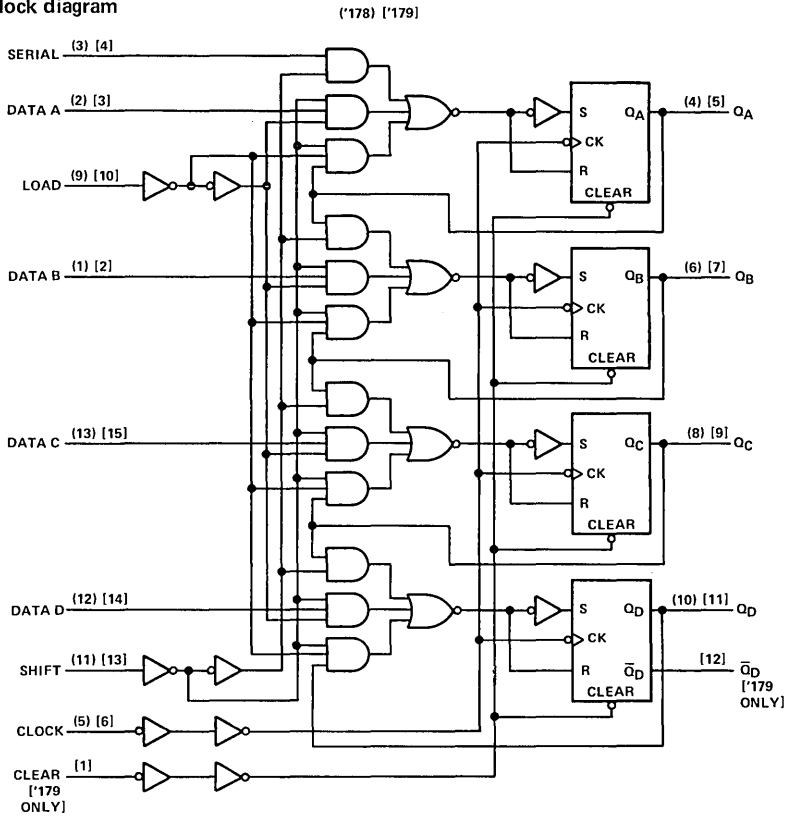
QA0, QB0, Qc0, QD0 = the level of QA, QB, Qc, or QD, respectively, before the indicated steady-state input conditions were established.

QA, QB, Qc, QD = the level of QA, QB, or Qc, respectively, before the most-recent ↓ transition of the clock.

# TYPES SN54178, SN54179, SN74178, SN74179

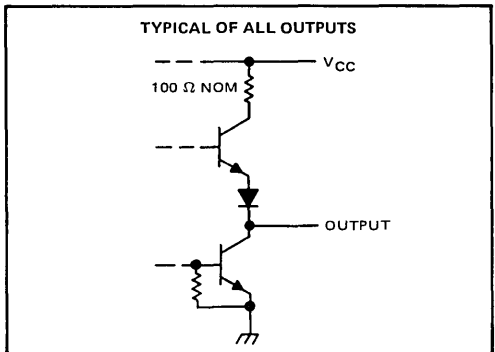
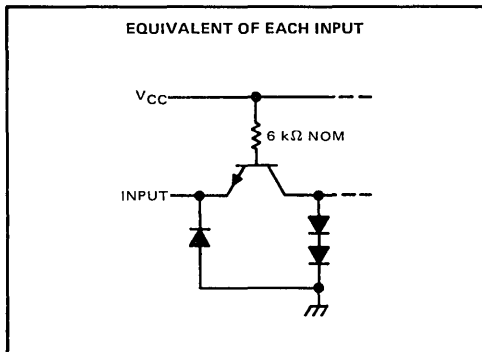
## 4-BIT PARALLEL-ACCESS SHIFT REGISTERS

### functional block diagram



◊ . . . Denotes input activated by a transition from a high level to a low level.

### schematics of inputs and outputs



# TYPES SN54178, SN54179, SN74178, SN74179 4-BIT PARALLEL-ACCESS SHIFT REGISTERS

### absolute maximum ratings over operating free-air temperature range (unless otherwise noted)

Supply voltage, $V_{CC}$ (see Note 1)	7 V
Input voltage	5.5 V
Operating free-air temperature range: SN54178, SN54179 Circuits	-55°C to 125°C
SN74178, SN74179 Circuits	0°C to 70°C
Storage temperature range	-65°C to 150°C

NOTE 1: Voltage values are with respect to network ground terminal.

### recommended operating conditions

	SN54178, SN54179			SN74178, SN74179			UNIT
	MIN	NOM	MAX	MIN	NOM	MAX	
Supply voltage, $V_{CC}$	4.5	5	5.5	4.75	5	5.25	V
High-level output current, $I_{OH}$	-800			-800			$\mu$ A
Low-level output current, $I_{OL}$	16			16			mA
Clock frequency, $f_{clock}$	0			25			MHz
Width of clock or clear pulse, $t_w$ (see Figure 1)	20			20			ns
Setup time, $t_{su}$ (see Figure 1)	Shift (H or L) or load			35			ns
	Data			30			
	Clear-inactive-state (SN54179 and SN74179)			15			
Hold time at any input, $t_h$	5			5			ns
Operating free-air temperature, $T_A$	-55			125			°C

### electrical characteristics over recommended operating free-air temperature range (unless otherwise noted)

PARAMETER	TEST CONDITIONS†	SN54178, SN54179			SN74178, SN74179			UNIT
		MIN	TYP‡	MAX	MIN	TYP‡	MAX	
$V_{IH}$ High-level input voltage		2			2			V
$V_{IL}$ Low-level input voltage		0.8			0.8			V
$V_{IK}$ Input clamp voltage	$V_{CC} = \text{MIN}$ , $I_I = -12 \text{ mA}$	-1.5			-1.5			V
$V_{OH}$ High-level output voltage	$V_{CC} = \text{MIN}$ , $V_{IH} = 2 \text{ V}$ , $V_{IL} = 0.8 \text{ V}$ , $I_{OH} = -800 \mu\text{A}$	2.4	3.4		2.4	3.4		V
$V_{OL}$ Low-level output voltage	$V_{CC} = \text{MIN}$ , $V_{IH} = 2 \text{ V}$ , $V_{IL} = 0.8 \text{ V}$ , $I_{OL} = 16 \text{ mA}$		0.2	0.4		0.2	0.4	V
$I_I$ Input current at maximum input voltage	$V_{CC} = \text{MAX}$ , $V_I = 5.5 \text{ V}$	1			1			mA
$I_{IH}$ High-level input current	$V_{CC} = \text{MAX}$ , $V_I = 2.4 \text{ V}$	40			40			$\mu$ A
$I_{IL}$ Low-level input current	$V_{CC} = \text{MAX}$ , $V_I = 0.4 \text{ V}$	-1.6			-1.6			mA
$I_{OS}$ Short-circuit output current§	$V_{CC} = \text{MAX}$	-20		-57	-18		-57	mA
$I_{CC}$ Supply current	$V_{CC} = \text{MAX}$ , See Note 2	46			70			mA

† For conditions shown as MIN or MAX, use the appropriate value specified under recommended operating conditions for the applicable device type.

‡ All typical values are at  $V_{CC} = 5 \text{ V}$ ,  $T_A = 25^\circ\text{C}$ .

§ Not more than one output should be shorted at a time.

NOTE 2:  $I_{CC}$  is measured as follows:

- a) 4.5 V is applied to serial inputs, load, shift, and clear,
- b) Parallel inputs A through D are grounded,
- c) 4.5 V is momentarily applied to clock which is then grounded.

# TYPES SN54178, SN54179, SN74178, SN74179

## 4-BIT PARALLEL-ACCESS SHIFT REGISTERS

switching characteristics,  $V_{CC} = 5\text{ V}$ ,  $T_A = 25^\circ\text{C}$

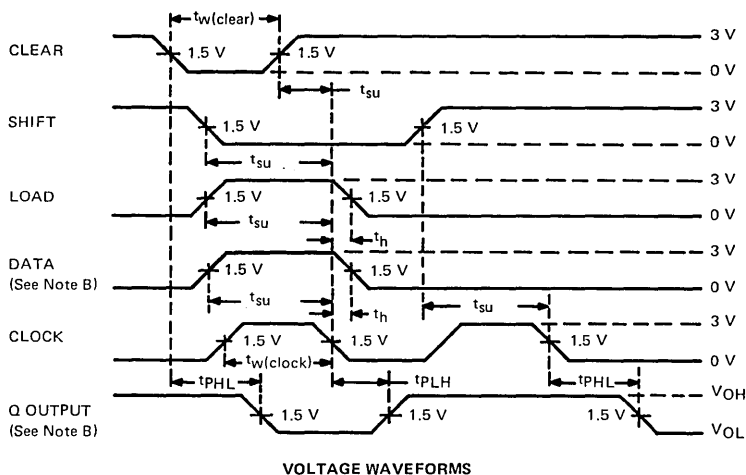
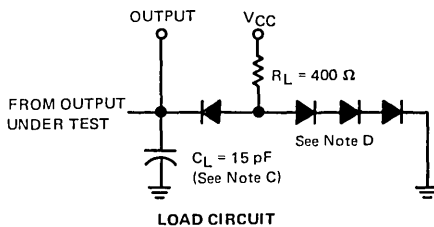
PARAMETER†	FROM (INPUT)	TO (OUTPUT)	TEST CONDITIONS	MIN	TYP	MAX	UNIT
$f_{\max}$			$C_L = 15\text{ pF}$ , $R_L = 400\ \Omega$ , See Figure 1	25	39		MHz
$t_{PLH}$	Clear	$\bar{Q}_D$		15	23		ns
$t_{PHL}$		$Q_A, Q_B, Q_C, Q_D$		24	36		ns
$t_{PLH}$	Clock	Any output		17	26		ns
$t_{PHL}$				23	35		ns

†  $f_{\max}$  ≡ Maximum clock frequency

$t_{PHL}$  ≡ Propagation delay time, high-to-low-level output

$t_{PLH}$  ≡ Propagation delay time, low-to-high-level output

### PARAMETER MEASUREMENT INFORMATION



NOTES: A. Input pulses are supplied by generators having the following characteristics:  $t_{TLH} \leq 10\text{ ns}$ ,  $t_{THL} \leq 10\text{ ns}$ ,  $PRR \leq 1\text{ MHz}$ ,  $Z_{out} \approx 50\ \Omega$ .

B. Data input and Q output are any related pair. Serial and other data inputs are at GND. Serial data input is tested in conjunction with  $Q_A$  output in the shift mode.

C.  $C_L$  includes probe and jig capacitance.

D. All diodes are 1N3064.

FIGURE 1—SWITCHING TIMES

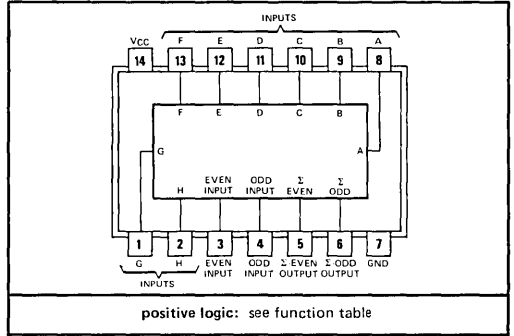
logic

SN54180 . . . J OR W PACKAGE  
SN74180 . . . J OR N PACKAGE  
(TOP VIEW)

FUNCTION TABLE

INPUTS			OUTPUTS	
$\Sigma$ OF H's AT A THRU H	EVEN	ODD	$\Sigma$ EVEN	$\Sigma$ ODD
EVEN	H	L	H	L
ODD	H	L	L	H
EVEN	L	H	L	H
ODD	L	H	H	L
X	H	H	L	L
X	L	L	H	H

H = high level, L = low level, X = irrelevant



description

These universal, monolithic, 9-bit (8 data bits plus 1 parity bit) parity generators/checkers, utilize familiar Series 54/74 TTL circuitry and feature odd/even outputs and control inputs to facilitate operation in either odd- or even-parity applications. Depending on whether even or odd parity is being generated or checked, the even or odd inputs can be utilized as the parity or 9th-bit input. The word-length capability is easily expanded by cascading.

The SN54180/SN74180 are fully compatible with other TTL or DTL circuits. Input buffers are provided so that each data input represents only one normalized series 54/74 load. A full fan-out to 10 normalized series 54/74 loads is available from each of the outputs at a low logic level. A fan-out to 20 normalized loads is provided at a high logic level to facilitate the connection of unused inputs to used inputs. Typical power dissipation is 170 mW.

The SN54180 is characterized for operation over the full military temperature range of  $-55^{\circ}\text{C}$  to  $125^{\circ}\text{C}$ ; and the SN74180 is characterized for operation from  $0^{\circ}\text{C}$  to  $70^{\circ}\text{C}$ .

absolute maximum ratings over operating free-air temperature range (unless otherwise noted)

Supply voltage, $V_{CC}$ (see Note 1)	7 V
Input voltage	5.5 V
Operating free-air temperature range: SN54180 Circuits	$-55^{\circ}\text{C}$ to $125^{\circ}\text{C}$
SN74180 Circuits	$0^{\circ}\text{C}$ to $70^{\circ}\text{C}$
Storage temperature range	$-65^{\circ}\text{C}$ to $150^{\circ}\text{C}$

NOTE 1: Voltage values are with respect to network ground terminal.

recommended operating conditions

	SN54180			SN74180			UNIT
	MIN	NOM	MAX	MIN	NOM	MAX	
Supply voltage, $V_{CC}$	4.5	5	5.5	4.75	5	5.25	V
High-level output current, $I_{OH}$			-800			-800	$\mu\text{A}$
Low-level output current, $I_{OL}$			16			16	mA
Operating free-air temperature, $T_A$	-55		125	0		70	$^{\circ}\text{C}$

# TYPES SN54180, SN74180

## 9-BIT ODD/EVEN PARITY GENERATORS/CHECKERS

electrical characteristics over recommended operating free-air temperature range (unless otherwise noted)

PARAMETER	TEST CONDITIONS†	SN54180			SN74180			UNIT
		MIN	TYP‡	MAX	MIN	TYP‡	MAX	
V <sub>IH</sub> High-level input voltage		2			2			V
V <sub>IL</sub> Low-level input voltage		0.8			0.8			V
V <sub>IK</sub> Input clamp voltage	V <sub>CC</sub> = MIN, I <sub>I</sub> = -12 mA	-1.5			-1.5			V
V <sub>OH</sub> High-level output voltage	V <sub>CC</sub> = MIN, V <sub>IH</sub> = 2 V, V <sub>IL</sub> = 0.8 V, I <sub>OH</sub> = -800 μA	2.4	3.3		2.4	3.3		V
V <sub>OL</sub> Low-level output voltage	V <sub>CC</sub> = MIN, V <sub>IH</sub> = 2 V, V <sub>IL</sub> = 0.8 V, I <sub>OL</sub> = 16 mA	0.2	0.4		0.2	0.4		V
I <sub>I</sub> Input current at maximum input voltage	V <sub>CC</sub> = MAX, V <sub>I</sub> = 5.5 V	1			1			mA
I <sub>IH</sub> High-level input current	Any data input	40			40			μA
	Even or odd input	80			80			
I <sub>IL</sub> Low-level input current	Any data input	-1.6			-1.6			mA
	Even or odd input	-3.2			-3.2			
I <sub>OS</sub> Short-circuit output current §	V <sub>CC</sub> = MAX	-20	-55		-18	-55		mA
I <sub>CC</sub> Supply current	V <sub>CC</sub> = MAX, See Note 2	34	49		34	56		mA

NOTE 2: I<sub>CC</sub> is measured with even and odd inputs at 4.5 V, all other inputs and outputs open.

†For conditions shown as MIN or MAX, use the appropriate value specified under recommended operating conditions for the applicable type.

‡All typical values are at V<sub>CC</sub> = 5 V, T<sub>A</sub> = 25°C.

§Not more than one output should be shorted at a time.

switching characteristics, V<sub>CC</sub> = 5 V, T<sub>A</sub> = 25°C

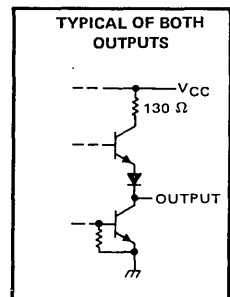
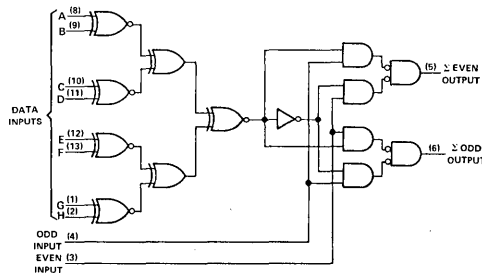
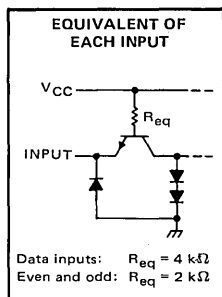
PARAMETER†	FROM (INPUT)	TO (OUTPUT)	TEST CONDITIONS	MIN	TYP	MAX	UNIT
t <sub>PLH</sub>	Data	Σ Even	C <sub>L</sub> = 15 pF, R <sub>L</sub> = 400 Ω, Odd input grounded, See Note 3	40	60	ns	
t <sub>PHL</sub>				45	68		
t <sub>PLH</sub>	Data	Σ Odd		32	48	ns	
t <sub>PHL</sub>				25	38		
t <sub>PLH</sub>	Data	Σ Even		C <sub>L</sub> = 15 pF, R <sub>L</sub> = 400 Ω, Even input grounded, See Note 3	32	48	ns
t <sub>PHL</sub>					25	38	
t <sub>PLH</sub>	Data	Σ Odd	40		60	ns	
t <sub>PHL</sub>			45		68		
t <sub>PLH</sub>	Even or Odd	Σ Even or Σ Odd	C <sub>L</sub> = 15 pF, R <sub>L</sub> = 400 Ω, See Note 3		13	20	ns
t <sub>PHL</sub>					7	10	

NOTE 3: Load circuits and waveforms are shown on page 3-10.

†t<sub>PLH</sub> = Propagation delay time, low-to-high-level output

t<sub>PHL</sub> = Propagation delay time, high-to-low-level output

functional block diagram and schematics of inputs and outputs

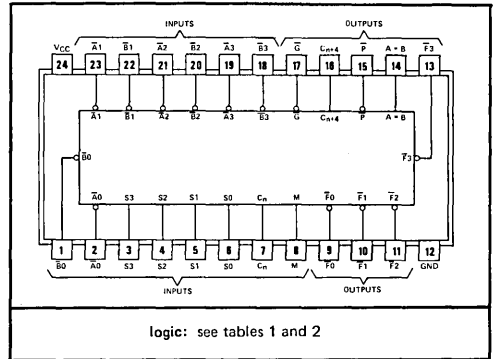


**TYPES SN54181, SN54LS181, SN54S181,  
SN74181, SN74LS181, SN74S181**  
**ARITHMETIC LOGIC UNITS/FUNCTION GENERATORS**

BULLETIN NO. DL-S 7611831, DECEMBER 1972 — REVISED OCTOBER 1976

- Full Look-Ahead for High-Speed Operations on Long Words
- Input Clamping Diodes Minimize Transmission-Line Effects
- Darlington Outputs Reduce Turn-Off Time
- Arithmetic Operating Modes:  
Addition  
Subtraction  
Shift Operand A One Position  
Magnitude Comparison  
Plus Twelve Other Arithmetic Operations
- Logic Function Modes:  
Exclusive-OR  
Comparator  
AND, NAND, OR, NOR  
Plus Ten Other Logic Operations

SN54181, SN54LS181, SN54S181 ... J OR W PACKAGE  
SN74181, SN74LS181, SN74S181 ... J OR N PACKAGE  
(TOP VIEW)



TYPICAL ADDITION TIMES

NUMBER OF BITS	ADDITION TIMES			PACKAGE COUNT		CARRY METHOD BETWEEN ALU's
	USING '181 AND '182	USING 'LS181 AND '182	USING 'S181 AND 'S182	ARITHMETIC/ LOGIC UNITS	LOOK-AHEAD CARRY GENERATORS	
1 to 4	24 ns	24 ns	11 ns	1		NONE
5 to 8	36 ns	40 ns	18 ns	2		RIPPLE
9 to 16	36 ns	44 ns	19 ns	3 or 4	1	FULL LOOK-AHEAD
17 to 64	60 ns	68 ns	28 ns	5 to 16	2 to 5	FULL LOOK-AHEAD

description

The '181, 'LS181, and 'S181 are arithmetic logic units (ALU)/function generators that have a complexity of 75 equivalent gates on a monolithic chip. These circuits perform 16 binary arithmetic operations on two 4-bit words as shown in Tables 1 and 2. These operations are selected by the four function-select lines (S0, S1, S2, S3) and include addition, subtraction, decrement, and straight transfer. When performing arithmetic manipulations, the internal carries must be enabled by applying a low-level voltage to the mode control input (M). A full carry look-ahead scheme is made available in these devices for fast, simultaneous carry generation by means of two cascade-outputs (pins 15 and 17) for the four bits in the package. When used in conjunction with the SN54182, SN54S182, SN74182, or SN74S182, full carry look-ahead circuits, high-speed arithmetic operations can be performed. The typical addition times shown above illustrate the little additional time required for addition of longer words when full carry look-ahead is employed. The method of cascading '182 or 'S182 circuits with these ALU's to provide multi-level full carry look-ahead is illustrated under typical applications data for the '182 and 'S182.

If high speed is not of importance, a ripple-carry input (C<sub>n</sub>) and a ripple-carry output (C<sub>n+4</sub>) are available. However, the ripple-carry delay has also been minimized so that arithmetic manipulations for small word lengths can be performed without external circuitry.



# TYPES SN54181, SN54LS181, SN54S181, SN74181, SN74LS181, SN74S181 ARITHMETIC LOGIC UNITS/FUNCTION GENERATORS

## description (continued)

The '181, 'LS181, and 'S181 will accommodate active-high or active-low data if the pin designations are interpreted as follows:

PIN NUMBER	2	1	23	22	21	20	19	18	9	10	11	13	7	16	15	17
Active-low data (Table 1)	$\bar{A}_0$	$\bar{B}_0$	$\bar{A}_1$	$\bar{B}_1$	$\bar{A}_2$	$\bar{B}_2$	$\bar{A}_3$	$\bar{B}_3$	$\bar{F}_0$	$\bar{F}_1$	$\bar{F}_2$	$\bar{F}_3$	$\bar{C}_n$	$\bar{C}_{n+4}$	$\bar{P}$	$\bar{G}$
Active-high data (Table 2)	A <sub>0</sub>	B <sub>0</sub>	A <sub>1</sub>	B <sub>1</sub>	A <sub>2</sub>	B <sub>2</sub>	A <sub>3</sub>	B <sub>3</sub>	F <sub>0</sub>	F <sub>1</sub>	F <sub>2</sub>	F <sub>3</sub>	C <sub>n</sub>	C <sub>n+4</sub>	X	Y

Subtraction is accomplished by 1's complement addition where the 1's complement of the subtrahend is generated internally. The resultant output is  $A-B-1$ , which requires an end-around or forced carry to provide  $A-B$ .

The '181, 'LS181, or 'S181 can also be utilized as a comparator. The  $A = B$  output is internally decoded from the function outputs ( $F_0, F_1, F_2, F_3$ ) so that when two words of equal magnitude are applied at the A and B inputs, it will assume a high level to indicate equality ( $A = B$ ). The ALU should be in the subtract mode with  $C_n = H$  when performing this comparison. The  $A = B$  output is open-collector so that it can be wire-AND connected to give a comparison for more than four bits. The carry output ( $C_{n+4}$ ) can also be used to supply relative magnitude information. Again, the ALU should be placed in the subtract mode by placing the function select inputs  $S_3, S_2, S_1, S_0$  at L, H, H, L, respectively.

INPUT $C_n$	OUTPUT $C_{n+4}$	ACTIVE-LOW DATA (FIGURE 1)	ACTIVE-HIGH DATA (FIGURE 2)
H	H	$A \geq B$	$A \leq B$
H	L	$A < B$	$A > B$
L	H	$A > B$	$A < B$
L	L	$A \leq B$	$A \geq B$

These circuits have been designed to not only incorporate all of the designer's requirements for arithmetic operations, but also to provide 16 possible functions of two Boolean variables without the use of external circuitry. These logic functions are selected by use of the four function-select inputs ( $S_0, S_1, S_2, S_3$ ) with the mode-control input (M) at a high level to disable the internal carry. The 16 logic functions are detailed in Tables 1 and 2 and include exclusive-OR, NAND, AND, NOR, and OR functions.

Series 54, 54LS, and 54S devices are characterized for operation over the full military temperature range of  $-55^\circ\text{C}$  to  $125^\circ\text{C}$ ; Series 74, 74LS, and 74S devices are characterized for operation from  $0^\circ\text{C}$  to  $70^\circ\text{C}$ .

## signal designations

The '181, 'LS181, and 'S181 together with the '182 and 'S182 can be used with the signal designations of either Figure 1 or Figure 2. The inversion indicators ( $\bar{\phantom{C}}$ ) and the bars over the terminal letter symbols (e.g.,  $\bar{C}$ ) each indicate that the associated input or output is active with respect to the selected function of the device when that input or output is low. That is, a low at  $\bar{C}$  means "do carry" while a high means "do not carry".

The logic functions and arithmetic operations obtained with signal designations of Figure 1 are given in Table 1; those obtained with signal designations of Figure 2 are given in Table 2.

# TYPES SN54181, SN54LS181, SN54S181, SN74181, SN74LS181, SN74S181 ARITHMETIC LOGIC UNITS/FUNCTION GENERATORS

signal designations (continued)

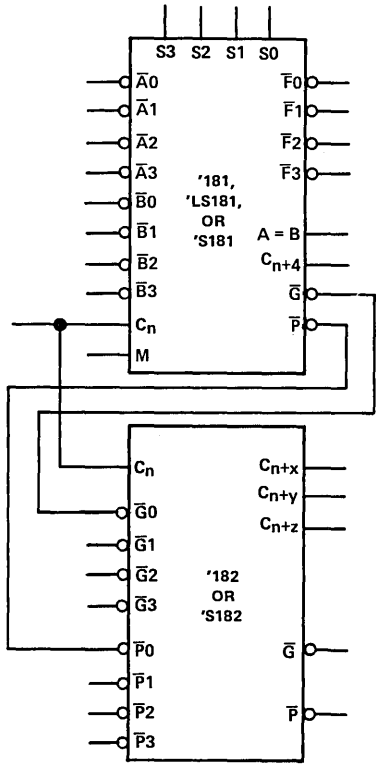


FIGURE 1  
(Use with Table 1)

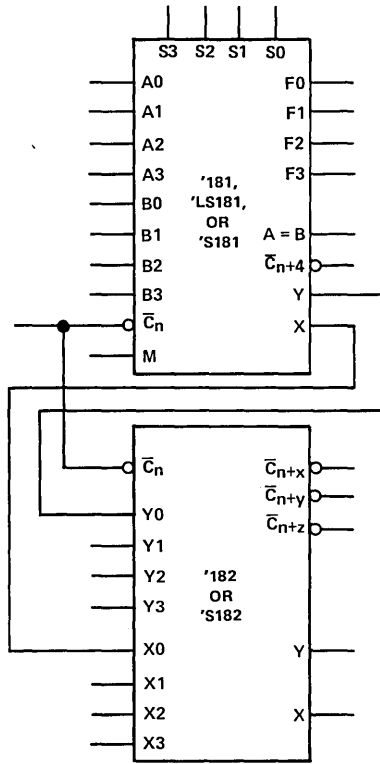


FIGURE 2  
(Use with Table 2)

TABLE 1

SELECTION S3 S2 S1 S0	ACTIVE-LOW DATA		
	M = H LOGIC FUNCTIONS	M = L; ARITHMETIC OPERATIONS	
		C <sub>n</sub> = L (no carry)	C <sub>n</sub> = H (with carry)
L L L L	F = $\bar{A}$	F = A MINUS 1	F = A
L L L H	F = $\bar{A}\bar{B}$	F = AB MINUS 1	F = AB
L L H L	F = $\bar{A} + B$	F = $\bar{A}\bar{B}$ MINUS 1	F = $\bar{A}\bar{B}$
L L H H	F = 1	F = MINUS 1 (2's COMPL)	F = ZERO
L H L L	F = $\bar{A} + \bar{B}$	F = A PLUS (A + B)	F = A PLUS (A + B) PLUS 1
L H L H	F = $\bar{B}$	F = AB PLUS (A + B)	F = AB PLUS (A + B) PLUS 1
L H H L	F = $\bar{A} \odot B$	F = A MINUS B MINUS 1	F = A MINUS B
L H H H	F = $\bar{A} + \bar{B}$	F = A + $\bar{B}$	F = (A + $\bar{B}$ ) PLUS 1
H L L L	F = $\bar{A}\bar{B}$	F = A PLUS (A + B)	F = A PLUS (A + B) PLUS 1
H L L H	F = A $\odot$ B	F = A PLUS B	F = A PLUS B PLUS 1
H L H L	F = B	F = $\bar{A}\bar{B}$ PLUS (A + B)	F = $\bar{A}\bar{B}$ PLUS (A + B) PLUS 1
H L H H	F = A + B	F = (A + B)	F = (A + B) PLUS 1
H H L L	F = 0	F = A PLUS A*	F = A PLUS A PLUS 1
H H L H	F = $\bar{A}\bar{B}$	F = AB PLUS A	F = AB PLUS A PLUS 1
H H H L	F = AB	F = $\bar{A}\bar{B}$ PLUS A	F = $\bar{A}\bar{B}$ PLUS A PLUS 1
H H H H	F = A	F = A	F = A PLUS 1

TABLE 2

SELECTION S3 S2 S1 S0	ACTIVE-HIGH DATA		
	M = H LOGIC FUNCTIONS	M = L; ARITHMETIC OPERATIONS	
		C <sub>n</sub> = H (no carry)	C <sub>n</sub> = L (with carry)
L L L L	F = A	F = A	F = A PLUS 1
L L L H	F = A + B	F = A + B	F = (A + B) PLUS 1
L L H L	F = A + $\bar{B}$	F = A + $\bar{B}$	F = (A + $\bar{B}$ ) PLUS 1
L L H H	F = 0	F = MINUS 1 (2's COMPL)	F = ZERO
L H L L	F = $\bar{A}\bar{B}$	F = A PLUS $\bar{A}\bar{B}$	F = A PLUS $\bar{A}\bar{B}$ PLUS 1
L H L H	F = B	F = (A + B) PLUS $\bar{A}\bar{B}$	F = (A + B) PLUS $\bar{A}\bar{B}$ PLUS 1
L H H L	F = A $\odot$ B	F = A MINUS B MINUS 1	F = A MINUS B
L H H H	F = $\bar{A}\bar{B}$	F = $\bar{A}\bar{B}$ MINUS 1	F = $\bar{A}\bar{B}$
H L L L	F = $\bar{A} + B$	F = A PLUS AB	F = A PLUS AB PLUS 1
H L L H	F = A $\odot$ B	F = A PLUS $\bar{B}$	F = A PLUS B PLUS 1
H L H L	F = B	F = (A + B) PLUS AB	F = (A + B) PLUS AB PLUS 1
H L H H	F = $\bar{A}\bar{B}$	F = AB MINUS 1	F = AB
H H L L	F = 1	F = A PLUS A*	F = A PLUS A PLUS 1
H H L H	F = $\bar{A} + \bar{B}$	F = (A + B) PLUS A	F = (A + B) PLUS A PLUS 1
H H H L	F = A + B	F = (A + B) PLUS A	F = (A + B) PLUS A PLUS 1
H H H H	F = A	F = A MINUS 1	F = A

\* Each bit is shifted to the next more significant position.

# TYPES SN54181, SN74181

## ARITHMETIC LOGIC UNITS/FUNCTION GENERATORS

### absolute maximum ratings over operating free-air temperature range (unless otherwise noted)

Supply voltage, $V_{CC}$ (see Note 1)	7 V
Input voltage	5.5 V
Intermitter voltage (see Note 2)	5.5 V
Operating free-air temperature range: SN54181	-55°C to 125°C
SN74181	0°C to 70°C
Storage temperature range	-65°C to 150°C

- NOTES: 1. Voltage values, except intermitter voltage, are with respect to network ground terminal.  
 2. This is the voltage between two emitters of a multiple-emitter transistor. For this circuit, this rating applies to each  $\bar{A}$  input in conjunction with inputs S2 or S3, and to each  $\bar{B}$  input in conjunction with inputs S0 or S3.

### recommended operating conditions

	SN54181			SN74181			UNIT
	MIN	NOM	MAX	MIN	NOM	MAX	
Supply voltage, $V_{CC}$	4.5	5	5.5	4.75	5	5.25	V
High-level output current, $I_{OH}$ (All outputs except A = B)	-800			-800			$\mu$ A
Low-level output current, $I_{OL}$	16			16			mA
Operating free-air temperature, $T_A$	-55			0			70 °C

### electrical characteristics over recommended operating free-air temperature range (unless otherwise noted)

PARAMETER		TEST CONDITIONS†	SN54181			SN74181			UNIT
			MIN	TYP‡	MAX	MIN	TYP‡	MAX	
$V_{IH}$	High-level input voltage		2			2			V
$V_{IL}$	Low-level input voltage		0.8			0.8			V
$V_{IK}$	Input clamp voltage	$V_{CC} = \text{MIN}, I_I = -12 \text{ mA}$	-1.5			-1.5			V
$V_{OH}$	High-level output voltage, any output except A = B	$V_{CC} = \text{MIN}, V_{IH} = 2 \text{ V}, V_{IL} = 0.8 \text{ V}, I_{OH} = -800 \mu\text{A}$	2.4	3.4		2.4	3.4		V
$I_{OH}$	High-level output current, A = B output only	$V_{CC} = \text{MIN}, V_{IH} = 2 \text{ V}, V_{IL} = 0.8 \text{ V}, V_{OH} = 5.5 \text{ V}$	250			250			$\mu$ A
$V_{OL}$	Low-level output voltage	$V_{CC} = \text{MIN}, V_{IH} = 2 \text{ V}, V_{IL} = 0.8 \text{ V}, I_{OL} = 16 \text{ mA}$	0.2 0.4			0.2 0.4			V
$I_I$	Input current at maximum input voltage	$V_{CC} = \text{MAX}, V_I = 5.5 \text{ V}$	1			1			mA
$I_{IH}$	High-level input current	Mode input	40			40			$\mu$ A
		Any $\bar{A}$ or $\bar{B}$ input	120			120			
		Any S input	160			160			
		Carry input	200			200			
$I_{IL}$	Low-level input current	Mode input	-1.6			-1.6			mA
		Any $\bar{A}$ or $\bar{B}$ input	-4.8			-4.8			
		Any S input	-6.4			-6.4			
		Carry input	-8			-8			
$I_{OS}$	Short-circuit output current, any output except A = B§	$V_{CC} = \text{MAX}$	-20	-55	-18	-57		mA	
$I_{CC}$	Supply current	$V_{CC} = \text{MAX}$ , Condition A	88	127	88	140		mA	
		See Note 3, Condition B	94	135	94	150		mA	

† For conditions shown as MIN or MAX, use the appropriate value specified under recommended operating conditions.

‡ All typical values are at  $V_{CC} = 5 \text{ V}, T_A = 25^\circ \text{C}$ .

§ Not more than one output should be shorted at a time.

NOTE 3: With outputs open,  $I_{CC}$  is measured for the following conditions:

- A. S0 through S3, M, and  $\bar{A}$  inputs are at 4.5 V, all other inputs are grounded.
- B. S0 through S3 and M are at 4.5 V, all other inputs are grounded.

# TYPES SN54181, SN74181

## ARITHMETIC LOGIC UNITS/FUNCTION GENERATORS

switching characteristics,  $V_{CC} = 5\text{ V}$ ,  $T_A = 25^\circ\text{ C}$  ( $C_L = 15\text{ pF}$ ,  $R_L = 400\ \Omega$ , see note 4)

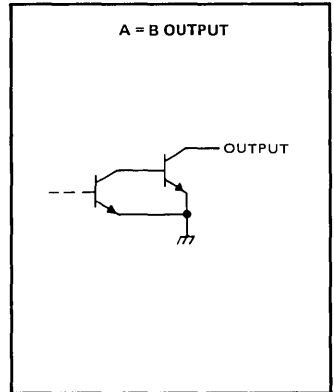
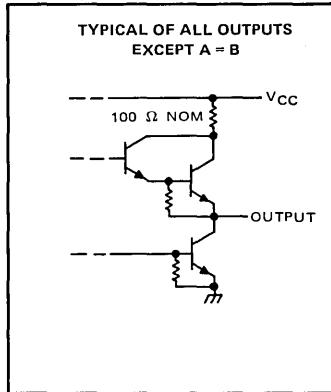
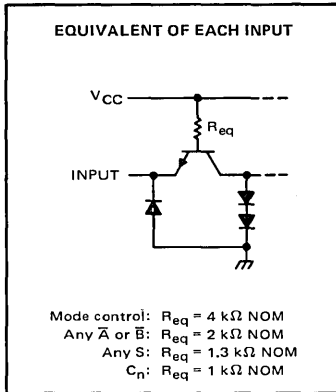
PARAMETER †	FROM (INPUT)	TO (OUTPUT)	TEST CONDITIONS	MIN	TYP	MAX	UNIT
$t_{PLH}$	$C_n$	$C_{n+4}$		12	18	ns	
$t_{PHL}$				13	19		
$t_{PLH}$	Any $\bar{A}$ or $\bar{B}$	$C_{n+4}$	$M = 0\text{ V}$ , $S_0 = S_3 = 4.5\text{ V}$ , $S_1 = S_2 = 0\text{ V}$ (SUM mode)	28	43	ns	
$t_{PHL}$				27	41		
$t_{PLH}$	Any $\bar{A}$ or $\bar{B}$	$C_{n+4}$	$M = 0\text{ V}$ , $S_0 = S_3 = 0\text{ V}$ , $S_1 = S_2 = 4.5\text{ V}$ (DIFF mode)	35	50	ns	
$t_{PHL}$				33	50		
$t_{PLH}$	$C_n$	Any $\bar{F}$	$M = 0\text{ V}$ (SUM or DIFF mode)	13	19	ns	
$t_{PHL}$				12	18		
$t_{PLH}$	Any $\bar{A}$ or $\bar{B}$	$\bar{G}$	$M = 0\text{ V}$ , $S_0 = S_3 = 4.5\text{ V}$ , $S_1 = S_2 = 0\text{ V}$ (SUM mode)	13	19	ns	
$t_{PHL}$				13	19		
$t_{PLH}$	Any $\bar{A}$ or $\bar{B}$	$\bar{G}$	$M = 0\text{ V}$ , $S_0 = S_3 = 0\text{ V}$ , $S_1 = S_2 = 4.5\text{ V}$ (DIFF mode)	17	25	ns	
$t_{PHL}$				17	25		
$t_{PLH}$	Any $\bar{A}$ or $\bar{B}$	$\bar{F}$	$M = 0\text{ V}$ , $S_0 = S_3 = 4.5\text{ V}$ , $S_1 = S_2 = 0\text{ V}$ (SUM mode)	13	19	ns	
$t_{PHL}$				17	25		
$t_{PLH}$	Any $\bar{A}$ or $\bar{B}$	$\bar{F}$	$M = 0\text{ V}$ , $S_0 = S_3 = 0\text{ V}$ , $S_1 = S_2 = 4.5\text{ V}$ (DIFF mode)	17	25	ns	
$t_{PHL}$				17	25		
$t_{PLH}$	$\bar{A}_i$ or $\bar{B}_i$	$\bar{F}_i$	$M = 0\text{ V}$ , $S_0 = S_3 = 4.5\text{ V}$ , $S_1 = S_2 = 0\text{ V}$ (SUM mode)	28	42	ns	
$t_{PHL}$				21	32		
$t_{PLH}$	$\bar{A}_i$ or $\bar{B}_i$	$\bar{F}_i$	$M = 0\text{ V}$ , $S_0 = S_3 = 0\text{ V}$ , $S_1 = S_2 = 4.5\text{ V}$ (DIFF mode)	32	48	ns	
$t_{PHL}$				23	34		
$t_{PLH}$	$\bar{A}_i$ or $\bar{B}_i$	$\bar{F}_i$	$M = 4.5\text{ V}$ (logic mode)	32	48	ns	
$t_{PHL}$				23	34		
$t_{PLH}$	Any $\bar{A}$ or $\bar{B}$	$A = B$	$M = 0\text{ V}$ , $S_0 = S_3 = 0\text{ V}$ , $S_1 = S_2 = 4.5\text{ V}$ (DIFF mode)	35	50	ns	
$t_{PHL}$				32	48		

†  $t_{PLH}$  ≡ propagation delay time, low-to-high-level output

†  $t_{PHL}$  ≡ propagation delay time, high-to-low-level output

NOTE 4: Load circuit and voltage waveforms are shown on page 3-10.

### schematics of inputs and outputs



# TYPES SN54LS181, SN74LS181

## ARITHMETIC LOGIC UNITS/FUNCTION GENERATORS

absolute maximum ratings over recommended operating free-air temperature range (unless otherwise noted)

Supply voltage, $V_{CC}$ (see Note 1)	7 V
Input voltage	5.5 V
Intermitter voltage (see Note 2)	5.5 V
Operating free-air temperature range: SN54LS181	-55°C to 125°C
SN74LS181	0°C to 70°C
Storage temperature range	-65°C to 150°C

NOTES: 1. Voltage values, except intermitter voltage, are with respect to network ground terminal.

2. This is the voltage between two emitters of a multiple-emitter transistor. For this circuit, this rating applies to each  $\bar{A}$  input in conjunction with inputs S2 or S3, and to each  $\bar{B}$  input in conjunction with inputs S0 or S3.

### recommended operating conditions

	SN54LS181			SN74LS181			UNIT
	MIN	NOM	MAX	MIN	NOM	MAX	
Supply voltage, $V_{CC}$	4.5	5	5.5	4.75	5	5.25	V
High-level output current, $I_{OH}$ (All outputs except A = B)	-400			-400			$\mu$ A
Low-level output current, $I_{OL}$	4			8			mA
Operating free-air temperature, $T_A$	-55		125	0		70	°C

### electrical characteristics over recommended operating free-air temperature range (unless otherwise noted)

PARAMETER		TEST CONDITIONS†	SN54LS181		SN74LS181		UNIT	
			MIN	TYP‡	MAX	MIN		TYP‡
$V_{IH}$	High-level input voltage		2		2		V	
$V_{IL}$	Low-level input voltage		0.7		0.8		V	
$V_{IK}$	Input clamp voltage	$V_{CC} = \text{MIN}, I_I = -18 \text{ mA}$	-1.5		-1.5		V	
$V_{OH}$	High-level output voltage, any output except A = B	$V_{CC} = \text{MIN}, V_{IH} = 2 \text{ V}, V_{IL} = V_{IL \text{ max}}, I_{OH} = -400 \mu\text{A}$	2.5	3.4	2.7	3.4	V	
$I_{OH}$	High-level output current, A = B output only	$V_{CC} = \text{MIN}, V_{IH} = 2 \text{ V}, V_{IL} = V_{IL \text{ max}}, V_{OH} = 5.5 \text{ V}$	100		100		$\mu$ A	
$V_{OL}$	Low-level output voltage	All outputs $V_{CC} = \text{MIN}, V_{IH} = 2 \text{ V}, V_{IL} = V_{IL \text{ max}}$	$I_{OL} = 4 \text{ mA}$	0.25	0.4	0.25	0.4	V
			$I_{OL} = 8 \text{ mA}$			0.35	0.5	
			$I_{OL} = 16 \text{ mA}$	0.47	0.7	0.47	0.7	
			$I_{OL} = 8 \text{ mA}$	0.35	0.6	0.35	0.5	
$I_I$	Input current at max. input voltage	$V_{CC} = \text{MAX}, V_I = 5.5 \text{ V}$	Mode input			0.1	0.1	mA
			Any $\bar{A}$ or $\bar{B}$ input			0.3	0.3	
			Any S input			0.4	0.4	
			Carry input			0.5	0.5	
$I_{IH}$	High-level input current	$V_{CC} = \text{MAX}, V_I = 2.7 \text{ V}$	Mode input			20	20	$\mu$ A
			Any $\bar{A}$ or $\bar{B}$ input			60	60	
			Any S input			80	80	
			Carry input			100	100	
$I_{IL}$	Low-level input current	$V_{CC} = \text{MAX}, V_I = 0.4 \text{ V}$	Mode input			-0.4	-0.4	mA
			Any $\bar{A}$ or $\bar{B}$ input			-1.2	-1.2	
			Any S input			-1.6	-1.6	
			Carry input			-2	-2	
$I_{OS}$	Short-circuit output current, any output except A = B §	$V_{CC} = \text{MAX}$	-6	-40	-5	-42	mA	
$I_{CC}$	Supply current	$V_{CC} = \text{MAX},$ See Note 3	Condition A	20	32	20	34	mA
			Condition B	21	35	21	37	

† For conditions shown as MIN or MAX, use the appropriate value specified under recommended operating conditions.

‡ All typical values are at  $V_{CC} = 5 \text{ V}, T_A = 25^\circ\text{C}$ .

§ Not more than one output should be shorted at a time.

NOTE 3: With outputs open,  $I_{CC}$  is measured for the following conditions:

- A. S0 through S3, M, and  $\bar{A}$  inputs are at 4.5 V, all other inputs are grounded.
- B. S0 through S3 and M are at 4.5 V, all other inputs are grounded.

# TYPES SN54LS181, SN74LS181

## ARITHMETIC LOGIC UNITS/FUNCTION GENERATORS

REVISED OCTOBER 1976

switching characteristics,  $V_{CC} = 5\text{ V}$ ,  $T_A = 25^\circ\text{C}$ , ( $C_L = 15\text{ pF}$ ,  $R_L = 2\text{ k}\Omega$ , see note 4)

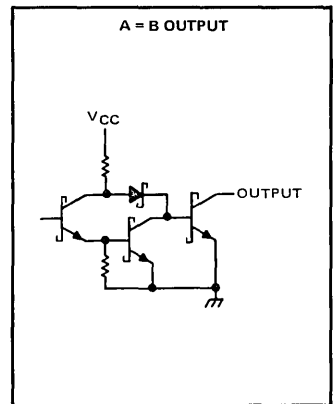
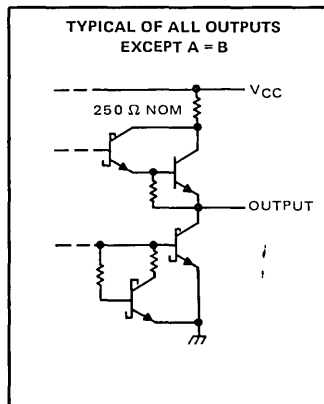
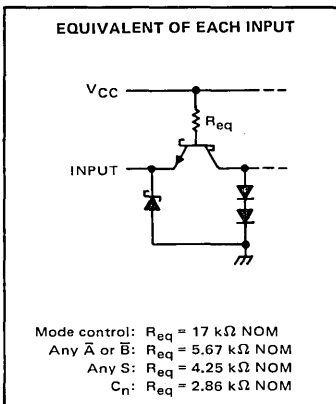
PARAMETER <sup>†</sup>	FROM (INPUT)	TO (OUTPUT)	TEST CONDITIONS	MIN	TYP	MAX	UNIT
$t_{PLH}$	$C_n$	$C_{n+4}$			18	27	ns
$t_{PHL}$					13	20	
$t_{PLH}$	Any $\bar{A}$ or $\bar{B}$	$C_{n+4}$	$M = 0\text{ V}$ , $S_0 = S_3 = 4.5\text{ V}$ , $S_1 = S_2 = 0\text{ V}$ (SUM mode)		25	38	ns
$t_{PHL}$					25	38	
$t_{PLH}$	Any $\bar{A}$ or $\bar{B}$	$C_{n+4}$	$M = 0\text{ V}$ , $S_0 = S_3 = 0\text{ V}$ $S_1 = S_2 = 4.5\text{ V}$ (DIFF mode)		27	41	ns
$t_{PHL}$					27	41	
$t_{PLH}$	$C_n$	Any $\bar{F}$	$M = 0\text{ V}$ (SUM or DIFF mode)		17	26	ns
$t_{PHL}$					13	20	
$t_{PLH}$	Any $\bar{A}$ or $\bar{B}$	$\bar{G}$	$M = 0\text{ V}$ , $S_0 = S_3 = 4.5\text{ V}$ , $S_1 = S_2 = 0\text{ V}$ (SUM mode)		19	29	ns
$t_{PHL}$					15	23	
$t_{PLH}$	Any $\bar{A}$ or $\bar{B}$	$\bar{G}$	$M = 0\text{ V}$ , $S_0 = S_3 = 0\text{ V}$ , $S_1 = S_2 = 4.5\text{ V}$ (DIFF mode)		21	32	ns
$t_{PHL}$					21	32	
$t_{PLH}$	Any $\bar{A}$ or $\bar{B}$	$\bar{P}$	$M = 0\text{ V}$ , $S_0 = S_3 = 4.5\text{ V}$ , $S_1 = S_2 = 0\text{ V}$ (SUM mode)		20	30	ns
$t_{PHL}$					20	30	
$t_{PLH}$	Any $\bar{A}$ or $\bar{B}$	$\bar{P}$	$M = 0\text{ V}$ , $S_0 = S_3 = 0\text{ V}$ , $S_1 = S_2 = 4.5\text{ V}$ (DIFF mode)		20	30	ns
$t_{PHL}$					22	33	
$t_{PLH}$	$\bar{A}_i$ or $\bar{B}_i$	$\bar{F}_i$	$M = 0\text{ V}$ , $S_0 = S_3 = 4.5\text{ V}$ , $S_1 = S_2 = 0\text{ V}$ (SUM mode)		21	32	ns
$t_{PHL}$					13	20	
$t_{PLH}$	$\bar{A}_i$ or $\bar{B}_i$	$\bar{F}_i$	$M = 0\text{ V}$ , $S_0 = S_3 = 0\text{ V}$ , $S_1 = S_2 = 4.5\text{ V}$ (DIFF mode)		21	32	ns
$t_{PHL}$					21	32	
$t_{PLH}$	$\bar{A}_i$ or $\bar{B}_i$	$\bar{F}_i$	$M = 4.5\text{ V}$ (logic mode)		22	33	ns
$t_{PHL}$					26	38	
$t_{PLH}$	Any $\bar{A}$ or $\bar{B}$	$A = B$	$M = 0\text{ V}$ , $S_0 = S_3 = 0\text{ V}$ , $S_1 = S_2 = 4.5\text{ V}$ (DIFF mode)		33	50	ns
$t_{PHL}$					41	62	

<sup>†</sup>  $t_{PLH}$  = propagation delay time, low-to-high-level output

$t_{PHL}$  = propagation delay time, high-to-low-level output

NOTE 4: Load circuit and voltage waveforms are shown on page 3-11.

### schematics of inputs and outputs



# TYPES SN54S181, SN74S181

## ARITHMETIC LOGIC UNITS/FUNCTION GENERATORS

REVISED OCTOBER 1976

### absolute maximum ratings over operating free-air temperature range (unless otherwise noted)

Supply voltage, $V_{CC}$ (see Note 1)	7 V
Input voltage	5.5 V
Interemitter voltage (see Note 2)	5.5 V
Operating free-air temperature: SN54S181	-55°C to 125°C
SN74S181	0°C to 70°C
Storage temperature range	-65°C to 150°C

NOTES: 1. Voltage values, except interemitter voltage, are with respect to network ground terminal.  
 2. This is the voltage between two emitters of a multiple-emitter transistor. For this circuit, this rating applies to each  $\bar{A}$  input in conjunction with inputs S2 or S3, and to each  $\bar{B}$  input in conjunction with inputs S0 or S3.

### recommended operating conditions

	SN54S181			SN74S181			UNIT
	MIN	NOM	MAX	MIN	NOM	MAX	
Supply voltage, $V_{CC}$	4.5	5	5.5	4.75	5	5.25	V
High-level output current, $I_{OH}$ (All outputs except A = B)			-1			-1	mA
Low-level output current, $I_{OL}$			20			20	mA
Operating free-air temperature, $T_A$	-55		125	0		70	°C

### electrical characteristics over recommended operating free-air temperature range (unless otherwise noted)

PARAMETER	TEST CONDITIONS†	SN54S181			SN74S181			UNIT
		MIN	TYP‡	MAX	MIN	TYP‡	MAX	
$V_{IH}$ High-level input voltage		2			2			V
$V_{IL}$ Low-level input voltage		0.8			0.8			V
$V_{IK}$ Input clamp voltage	$V_{CC} = \text{MIN}, I_I = -18 \text{ mA}$	-1.2			-1.2			V
$V_{OH}$ High-level output voltage, any output except A = B	$V_{CC} = \text{MIN}, V_{IH} = 2 \text{ V}, V_{IL} = 0.8 \text{ V}, I_{OH} = -1 \text{ mA}$	2.5	3.4		2.7	3.4		V
$I_{OH}$ High-level output current, A = B output only	$V_{CC} = \text{MIN}, V_{IH} = 2 \text{ V}, V_{IL} = 0.8 \text{ V}, V_{OH} = 5.5 \text{ V}$	250			250			μA
$V_{OL}$ Low-level output voltage	$V_{CC} = \text{MIN}, V_{IH} = 2 \text{ V}, V_{IL} = 0.8 \text{ V}, I_{OL} = 20 \text{ mA}$	0.5			0.5			V
$I_I$ Input current at maximum input voltage	$V_{CC} = \text{MAX}, V_I = 5.5 \text{ V}$	1			1			mA
$I_{IH}$ High-level input current	Mode input	50			50			μA
	Any $\bar{A}$ or $\bar{B}$ input	150			150			
	Any S input	200			200			
	Carry input	250			250			
$I_{IL}$ Low-level input current	Mode input	-2			-2			mA
	Any $\bar{A}$ or $\bar{B}$ input	-6			-6			
	Any S input	-8			-8			
	Carry input	-10			-10			
$I_{OS}$ Short-circuit output current, any output except A = B §	$V_{CC} = \text{MAX}$	-40	-100		-40	-100	mA	
$I_{CC}$ Supply current	$V_{CC} = \text{MAX}, T_A = 125^\circ \text{C},$ W package only	195						mA
	$V_{CC} = \text{MAX},$ See Note 3 All packages	120	220		120	220		

† For conditions shown as MIN or MAX, use the appropriate value specified under recommended operating conditions.

‡ All typical values are at  $V_{CC} = 5 \text{ V}, T_A = 25^\circ \text{C}.$

§ Not more than one output should be shorted at a time.

NOTE 3:  $I_{CC}$  is measured for the following conditions (the typical and maximum values apply to both):

- A. S0 through S3, M, and  $\bar{A}$  inputs are at 4.5 V, all other inputs are grounded, and all outputs are open.
- B. S0 through S3 and M are at 4.5 V, all other inputs grounded, and all outputs are open.

# TYPES SN54S181, SN74S181

## ARITHMETIC LOGIC UNITS/FUNCTION GENERATORS

switching characteristics,  $V_{CC} = 5\text{ V}$ ,  $T_A = 25^\circ\text{C}$  ( $C_L = 15\text{ pF}$ ,  $R_L = 280\ \Omega$ , see note 4)

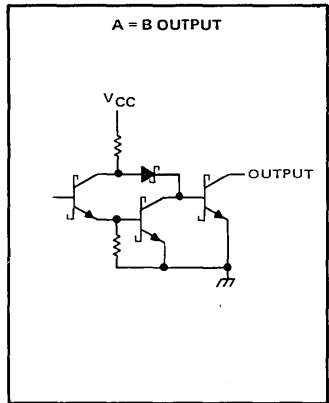
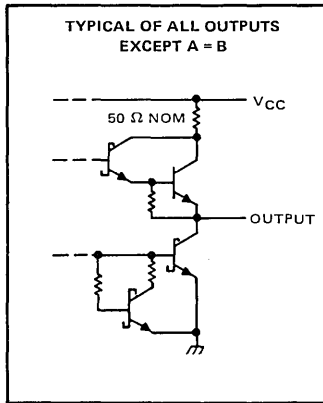
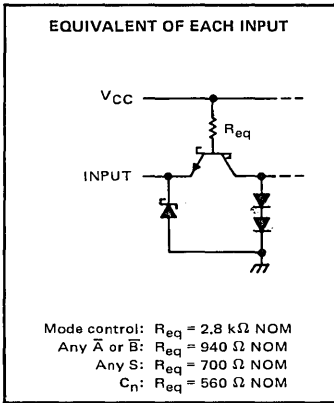
PARAMETER <sup>†</sup>	FROM (INPUT)	TO (OUTPUT)	TEST CONDITIONS	MIN	TYP	MAX	UNIT
$t_{PLH}$	$C_n$	$C_{n+4}$			7	10.5	ns
$t_{PHL}$					7	10.5	
$t_{PLH}$	Any $\bar{A}$ or $\bar{B}$	$C_{n+4}$	$M = 0\text{ V}$ , $S_0 = S_3 = 4.5\text{ V}$ , $S_1 = S_2 = 0\text{ V}$ (SUM mode)		12.5	18.5	ns
$t_{PHL}$					12.5	18.5	
$t_{PLH}$	Any $\bar{A}$ or $\bar{B}$	$C_{n+4}$	$M = 0\text{ V}$ , $S_0 = S_3 = 0\text{ V}$ , $S_1 = S_2 = 4.5\text{ V}$ (DIFF mode)		15.5	23	ns
$t_{PHL}$					15.5	23	
$t_{PLH}$	$C_n$	Any $\bar{F}$	$M = 0\text{ V}$ (SUM or DIFF mode)		7	12	ns
$t_{PHL}$					7	12	
$t_{PLH}$	Any $\bar{A}$ or $\bar{B}$	$\bar{G}$	$M = 0\text{ V}$ , $S_0 = S_3 = 4.5\text{ V}$ , $S_1 = S_2 = 0\text{ V}$ (SUM mode)		8	12	ns
$t_{PHL}$					7.5	12	
$t_{PLH}$	Any $\bar{A}$ or $\bar{B}$	$\bar{G}$	$M = 0\text{ V}$ , $S_0 = S_3 = 0\text{ V}$ , $S_1 = S_2 = 4.5\text{ V}$ (DIFF mode)		10.5	15	ns
$t_{PHL}$					10.5	15	
$t_{PLH}$	Any $\bar{A}$ or $\bar{B}$	$\bar{P}$	$M = 0\text{ V}$ , $S_0 = S_3 = 4.5\text{ V}$ , $S_1 = S_2 = 0\text{ V}$ (SUM mode)		7.5	12	ns
$t_{PHL}$					7.5	12	
$t_{PLH}$	Any $\bar{A}$ or $\bar{B}$	$\bar{P}$	$M = 0\text{ V}$ , $S_0 = S_3 = 0\text{ V}$ , $S_1 = S_2 = 4.5\text{ V}$ (DIFF mode)		10.5	15	ns
$t_{PHL}$					10.5	15	
$t_{PLH}$	$\bar{A}_i$ or $\bar{B}_i$	$\bar{F}_i$	$M = 0\text{ V}$ , $S_0 = S_3 = 4.5\text{ V}$ , $S_1 = S_2 = 0\text{ V}$ (SUM mode)		11	16.5	ns
$t_{PHL}$					11	16.5	
$t_{PLH}$	$\bar{A}_i$ or $\bar{B}_i$	$F_i$	$M = 0\text{ V}$ , $S_0 = S_3 = 0\text{ V}$ , $S_1 = S_2 = 4.5\text{ V}$ (DIFF mode)		14	20	ns
$t_{PHL}$					14	22	
$t_{PLH}$	$\bar{A}_i$ or $\bar{B}_i$	$\bar{F}_i$	$M = 4.5\text{ V}$ (logic mode)		14	20	ns
$t_{PHL}$					14	22	
$t_{PLH}$	Any $\bar{A}$ or $\bar{B}$	$A = B$	$M = 0\text{ V}$ , $S_0 = S_3 = 0\text{ V}$ , $S_1 = S_2 = 4.5\text{ V}$ (DIFF mode)		15	23	ns
$t_{PHL}$					20	30	

<sup>†</sup>  $t_{PLH}$   $\equiv$  propagation delay time, low-to-high-level output

$t_{PHL}$   $\equiv$  propagation delay time, high-to-low-level output

NOTE 4: Load circuit and voltage waveforms are shown on page 3-10.

### schematics of inputs and outputs

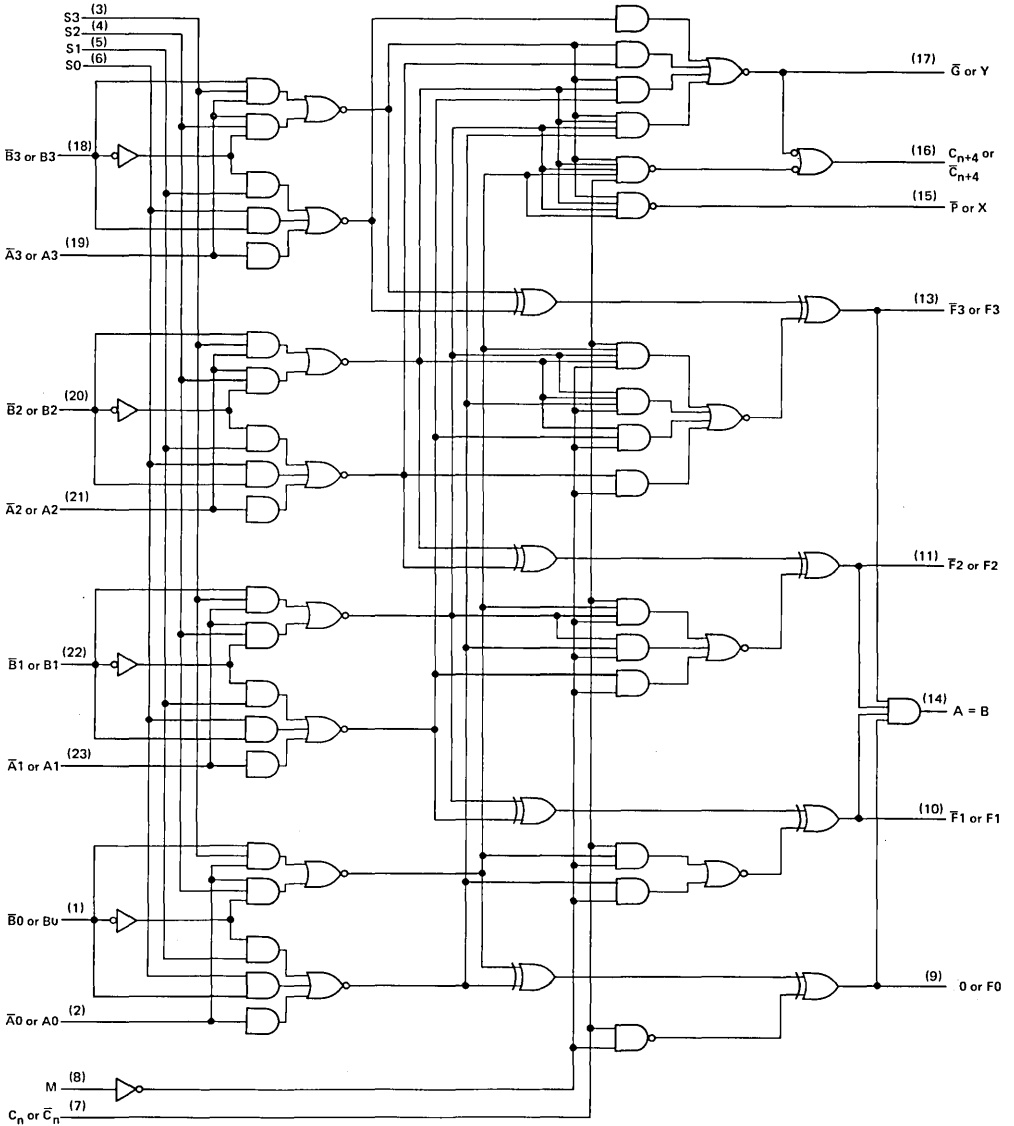


7



# TYPES SN54181, SN54LS181, SN54S181, SN74181, SN74LS181, SN74S181 ARITHMETIC LOGIC UNITS/FUNCTION GENERATORS

functional block diagram



# TYPES SN54181, SN54LS181, SN54S181, SN74181, SN74LS181, SN74S181 ARITHMETIC LOGIC UNITS/FUNCTION GENERATORS

## PARAMETER MEASUREMENT INFORMATION

### SUM MODE TEST TABLE

FUNCTION INPUTS:  $S_0 = S_3 = 4.5\text{ V}$ ,  $S_1 = S_2 = M = 0\text{ V}$

PARAMETER	INPUT UNDER TEST	OTHER INPUT SAME BIT		OTHER DATA INPUTS		OUTPUT UNDER TEST	OUTPUT WAVEFORM (See Note 4)
		APPLY 4.5 V	APPLY GND	APPLY 4.5 V	APPLY GND		
$t_{PLH}$	$\bar{A}_i$	$\bar{B}_i$	None	Remaining $\bar{A}$ and $\bar{B}$	$C_n$	$\bar{F}_i$	In-Phase
$t_{PHL}$	$\bar{A}_i$	$\bar{B}_i$	None	Remaining $\bar{A}$ and $\bar{B}$	$C_n$	$\bar{F}_i$	In-Phase
$t_{PLH}$	$\bar{B}_i$	$\bar{A}_i$	None	Remaining $\bar{A}$ and $\bar{B}$	$C_n$	$\bar{F}_i$	In-Phase
$t_{PHL}$	$\bar{B}_i$	$\bar{A}_i$	None	Remaining $\bar{A}$ and $\bar{B}$	$C_n$	$\bar{F}_i$	In-Phase
$t_{PLH}$	$\bar{A}_i$	$\bar{B}_i$	None	None	Remaining $\bar{A}$ and $\bar{B}$ , $C_n$	$\bar{P}$	In-Phase
$t_{PHL}$	$\bar{A}_i$	$\bar{B}_i$	None	None	Remaining $\bar{A}$ and $\bar{B}$ , $C_n$	$\bar{P}$	In-Phase
$t_{PLH}$	$\bar{B}_i$	$\bar{A}_i$	None	None	Remaining $\bar{A}$ and $\bar{B}$ , $C_n$	$\bar{P}$	In-Phase
$t_{PHL}$	$\bar{B}_i$	$\bar{A}_i$	None	None	Remaining $\bar{A}$ and $\bar{B}$ , $C_n$	$\bar{P}$	In-Phase
$t_{PLH}$	$\bar{A}_i$	None	$\bar{B}_i$	Remaining $\bar{B}$	Remaining $\bar{A}$ , $C_n$	$\bar{G}$	In-Phase
$t_{PHL}$	$\bar{A}_i$	None	$\bar{B}_i$	Remaining $\bar{B}$	Remaining $\bar{A}$ , $C_n$	$\bar{G}$	In-Phase
$t_{PLH}$	$\bar{B}_i$	None	$\bar{A}_i$	Remaining $\bar{B}$	Remaining $\bar{A}$ , $C_n$	$\bar{G}$	In-Phase
$t_{PHL}$	$\bar{B}_i$	None	$\bar{A}_i$	Remaining $\bar{B}$	Remaining $\bar{A}$ , $C_n$	$\bar{G}$	In-Phase
$t_{PLH}$	$C_n$	None	None	All $\bar{A}$	All $\bar{B}$	Any F or $C_{n+4}$	In-Phase
$t_{PHL}$	$C_n$	None	None	All $\bar{A}$	All $\bar{B}$	Any F or $C_{n+4}$	In-Phase
$t_{PLH}$	$\bar{A}_i$	None	$\bar{B}_i$	Remaining $\bar{B}$	Remaining $\bar{A}$ , $C_n$	$C_{n+4}$	Out-of-Phase
$t_{PHL}$	$\bar{A}_i$	None	$\bar{B}_i$	Remaining $\bar{B}$	Remaining $\bar{A}$ , $C_n$	$C_{n+4}$	Out-of-Phase
$t_{PLH}$	$\bar{B}_i$	None	$\bar{A}_i$	Remaining $\bar{B}$	Remaining $\bar{A}$ , $C_n$	$C_{n+4}$	Out-of-Phase
$t_{PHL}$	$\bar{B}_i$	None	$\bar{A}_i$	Remaining $\bar{B}$	Remaining $\bar{A}$ , $C_n$	$C_{n+4}$	Out-of-Phase

### DIFF MODE TEST TABLE

FUNCTION INPUTS:  $S_1 = S_2 = 4.5\text{ V}$ ,  $S_0 = S_3 = M = 0\text{ V}$

PARAMETER	INPUT UNDER TEST	OTHER INPUT SAME BIT		OTHER DATA INPUTS		OUTPUT UNDER TEST	OUTPUT WAVEFORM (See Note 4)
		APPLY 4.5 V	APPLY GND	APPLY 4.5 V	APPLY GND		
$t_{PLH}$	$\bar{A}_i$	None	$\bar{B}_i$	Remaining $\bar{A}$	Remaining $\bar{B}$ , $C_n$	$\bar{F}_i$	In-Phase
$t_{PHL}$	$\bar{A}_i$	None	$\bar{B}_i$	Remaining $\bar{A}$	Remaining $\bar{B}$ , $C_n$	$\bar{F}_i$	In-Phase
$t_{PLH}$	$\bar{B}_i$	$\bar{A}_i$	None	Remaining $\bar{A}$	Remaining $\bar{B}$ , $C_n$	$\bar{F}_i$	Out-of-Phase
$t_{PHL}$	$\bar{B}_i$	$\bar{A}_i$	None	Remaining $\bar{A}$	Remaining $\bar{B}$ , $C_n$	$\bar{F}_i$	Out-of-Phase
$t_{PLH}$	$\bar{A}_i$	None	$\bar{B}_i$	None	Remaining $\bar{A}$ and $\bar{B}$ , $C_n$	$\bar{P}$	In-Phase
$t_{PHL}$	$\bar{A}_i$	None	$\bar{B}_i$	None	Remaining $\bar{A}$ and $\bar{B}$ , $C_n$	$\bar{P}$	In-Phase
$t_{PLH}$	$\bar{B}_i$	$\bar{A}_i$	None	None	Remaining $\bar{A}$ and $\bar{B}$ , $C_n$	$\bar{P}$	Out-of-Phase
$t_{PHL}$	$\bar{B}_i$	$\bar{A}_i$	None	None	Remaining $\bar{A}$ and $\bar{B}$ , $C_n$	$\bar{P}$	Out-of-Phase
$t_{PLH}$	$\bar{A}_i$	$\bar{B}_i$	None	None	Remaining $\bar{A}$ and $\bar{B}$ , $C_n$	$\bar{G}$	In-Phase
$t_{PHL}$	$\bar{A}_i$	$\bar{B}_i$	None	None	Remaining $\bar{A}$ and $\bar{B}$ , $C_n$	$\bar{G}$	In-Phase
$t_{PLH}$	$\bar{B}_i$	None	$\bar{A}_i$	None	Remaining $\bar{A}$ and $\bar{B}$ , $C_n$	$\bar{G}$	Out-of-Phase
$t_{PHL}$	$\bar{B}_i$	None	$\bar{A}_i$	None	Remaining $\bar{A}$ and $\bar{B}$ , $C_n$	$\bar{G}$	Out-of-Phase
$t_{PLH}$	$\bar{A}_i$	None	$\bar{B}_i$	Remaining $\bar{A}$	Remaining $\bar{B}$ , $C_n$	$A = B$	In-Phase
$t_{PHL}$	$\bar{A}_i$	None	$\bar{B}_i$	Remaining $\bar{A}$	Remaining $\bar{B}$ , $C_n$	$A = B$	In-Phase
$t_{PLH}$	$\bar{B}_i$	$\bar{A}_i$	None	Remaining $\bar{A}$	Remaining $\bar{B}$ , $C_n$	$A = B$	Out-of-Phase
$t_{PHL}$	$\bar{B}_i$	$\bar{A}_i$	None	Remaining $\bar{A}$	Remaining $\bar{B}$ , $C_n$	$A = B$	Out-of-Phase
$t_{PLH}$	$C_n$	None	None	All $\bar{A}$ and $\bar{B}$	None	$C_{n+4}$ or any F	In-Phase
$t_{PHL}$	$C_n$	None	None	All $\bar{A}$ and $\bar{B}$	None	$C_{n+4}$ or any F	In-Phase
$t_{PLH}$	$\bar{A}_i$	$\bar{B}_i$	None	None	Remaining $\bar{A}$ , $\bar{B}$ , $C_n$	$C_{n+4}$	Out-of-Phase
$t_{PHL}$	$\bar{A}_i$	$\bar{B}_i$	None	None	Remaining $\bar{A}$ , $\bar{B}$ , $C_n$	$C_{n+4}$	Out-of-Phase
$t_{PLH}$	$\bar{B}_i$	None	$\bar{A}_i$	None	Remaining $\bar{A}$ , $\bar{B}$ , $C_n$	$C_{n+4}$	In-Phase
$t_{PHL}$	$\bar{B}_i$	None	$\bar{A}_i$	None	Remaining $\bar{A}$ , $\bar{B}$ , $C_n$	$C_{n+4}$	In-Phase

### LOGIC MODE TEST TABLE

FUNCTION INPUTS:  $S_1 = S_2 = M = 4.5\text{ V}$ ,  $S_0 = S_3 = 0\text{ V}$

PARAMETER	INPUT UNDER TEST	OTHER INPUT SAME BIT		OTHER DATA INPUTS		OUTPUT UNDER TEST	OUTPUT WAVEFORM (See Note 4)
		APPLY 4.5 V	APPLY GND	APPLY 4.5 V	APPLY GND		
$t_{PLH}$	$\bar{A}_i$	$\bar{B}_i$	None	None	Remaining $\bar{A}$ and $\bar{B}$ , $C_n$	$\bar{F}_i$	Out-of-Phase
$t_{PHL}$	$\bar{A}_i$	$\bar{B}_i$	None	None	Remaining $\bar{A}$ and $\bar{B}$ , $C_n$	$\bar{F}_i$	Out-of-Phase
$t_{PLH}$	$\bar{B}_i$	$\bar{A}_i$	None	None	Remaining $\bar{A}$ and $\bar{B}$ , $C_n$	$\bar{F}_i$	Out-of-Phase
$t_{PHL}$	$\bar{B}_i$	$\bar{A}_i$	None	None	Remaining $\bar{A}$ and $\bar{B}$ , $C_n$	$\bar{F}_i$	Out-of-Phase

NOTE 4: Load circuit and voltage waveforms are shown on pages 3-10 and 3-11.

TYPES SN54182, SN54S182, SN74182, SN74S182  
LOOK-AHEAD CARRY GENERATORS

BULLETIN NO. DL-S 7611823, DECEMBER 1972—REVISED OCTOBER 1976

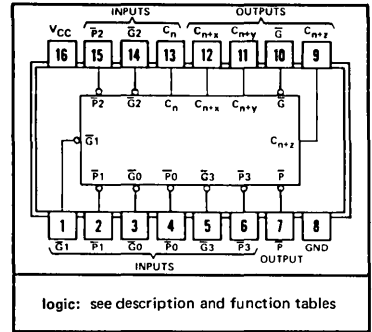
- Directly Compatible for Use With:  
SN54181/SN74181, SN54LS181/SN74LS181,  
SN54S281/SN74S281, SN54S381, SN74S381,  
SN54S481/SN74S481

SN54182, SN54S182 . . . J OR W PACKAGE  
SN74182, SN74S182 . . . J OR N PACKAGE  
(TOP VIEW)

PIN DESIGNATIONS

ALTERNATIVE	DESIGNATIONS†	PIN NOS.	FUNCTION
$\bar{G}_0, \bar{G}_1, \bar{G}_2, \bar{G}_3$	G0, G1, G2, G3	3, 1, 14, 5	CARRY GENERATE INPUTS
$\bar{P}_0, \bar{P}_1, \bar{P}_2, \bar{P}_3$	P0, P1, P2, P3	4, 2, 15, 6	CARRY PROPAGATE INPUTS
$C_n$	$\bar{C}_n$	13	CARRY INPUT
$C_{n+x}, C_{n+y}, C_{n+z}$	$\bar{C}_{n+x}, \bar{C}_{n+y}, \bar{C}_{n+z}$	12, 11, 9	CARRY OUTPUTS
$\bar{G}$	Y	10	CARRY GENERATE OUTPUT
$\bar{P}$	X	7	CARRY PROPAGATE OUTPUT
$V_{CC}$		16	SUPPLY VOLTAGE
GND		8	GROUND

† Interpretations are illustrated on page 7-273



logic: see description and function tables

description

The SN54182, SN54S182, SN74182, and SN74S182 are high-speed, look-ahead carry generators capable of anticipating a carry across four binary adders or group of adders. They are cascadable to perform full look-ahead across n-bit adders. Carry, generate-carry, and propagate-carry functions are provided as enumerated in the pin designation table above.

When used in conjunction with the '181, 'LS181, or 'S181 arithmetic logic unit (ALU), these generators provide high-speed carry look-ahead capability for any word length. Each '182 or 'S182 generates the look-ahead (anticipated carry) across a group of four ALU's and, in addition, other carry look-ahead circuits may be employed to anticipate carry across sections of four look-ahead packages up to n-bits. The method of cascading '182 or 'S182 circuits to perform multi-level look-ahead is illustrated under typical application data.

The carry functions (inputs, outputs, generate, and propagate) of the look-ahead generators are implemented in the compatible forms for direct connection to the ALU. Reinterpretations of carry functions as explained on the '181, 'LS181, and 'S181 data sheet are also applicable to and compatible with the look-ahead generator. Logic equations for the '182 and 'S182 are:

$$\begin{aligned}
 C_{n+x} &= G_0 + P_0 C_n & \bar{C}_{n+x} &= \overline{Y_0 (X_0 + C_n)} \\
 C_{n+y} &= G_1 + P_1 G_0 + P_1 P_0 C_n & \bar{C}_{n+y} &= \overline{Y_1 [X_1 + Y_0 (X_0 + C_n)]} \\
 C_{n+z} &= G_2 + P_2 G_1 + P_2 P_1 G_0 + P_2 P_1 P_0 C_n & \bar{C}_{n+z} &= \overline{Y_2 \{X_2 + Y_1 [X_1 + Y_0 (X_0 + C_n)]\}} \\
 \bar{G} &= \bar{G}_3 + P_3 \bar{G}_2 + P_3 P_2 \bar{G}_1 + P_3 P_2 P_1 \bar{G}_0 & Y &= Y_3 (X_3 + Y_2) (X_3 + X_2 + Y_1) (X_3 + X_2 + X_1 + Y_0) \\
 \bar{P} &= \bar{P}_3 \bar{P}_2 \bar{P}_1 \bar{P}_0 & X &= X_3 + X_2 + X_1 + X_0
 \end{aligned}$$

logic

FUNCTION TABLE FOR  $\bar{G}$  OUTPUT

INPUTS							OUTPUT
$\bar{G}_3$	$\bar{G}_2$	$\bar{G}_1$	$\bar{G}_0$	$\bar{P}_3$	$\bar{P}_2$	$\bar{P}_1$	$\bar{G}$
L	X	X	X	X	X	X	L
X	L	X	X	L	X	X	L
X	X	L	X	L	L	X	L
X	X	X	L	L	L	L	L
All other combinations							H

FUNCTION TABLE FOR  $\bar{P}$  OUTPUT

INPUTS				OUTPUT
$\bar{P}_3$	$\bar{P}_2$	$\bar{P}_1$	$\bar{P}_0$	$\bar{P}$
L	L	L	L	L
All other combinations				H

H = high level, L = low level, X = irrelevant  
Any inputs not shown in a given table are irrelevant with respect to that output.

# TYPES SN54182, SN54S182, SN74182, SN74S182 LOOK-AHEAD CARRY GENERATORS

logic

functional block diagram

FUNCTION TABLE  
FOR  $C_{n+x}$  OUTPUT

INPUTS			OUTPUT
$\bar{G}_0$	$\bar{P}_0$	$C_n$	$C_{n+x}$
L	X	X	H
X	L	H	H
All other combinations			L

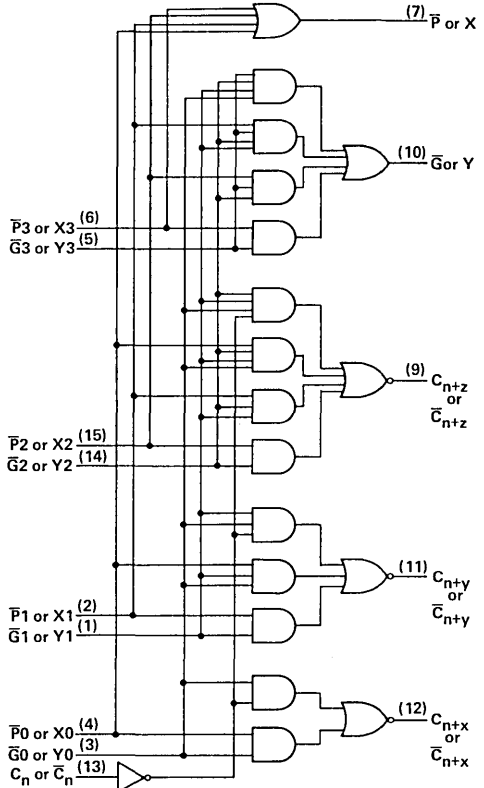
FUNCTION TABLE  
FOR  $C_{n+y}$  OUTPUT

INPUTS					OUTPUT
$\bar{G}_1$	$\bar{G}_0$	$\bar{P}_1$	$\bar{P}_0$	$C_n$	$C_{n+y}$
L	X	X	X	X	H
X	L	L	X	X	H
X	X	L	L	H	H
All other combinations					L

FUNCTION TABLE FOR  $C_{n+z}$  OUTPUT

INPUTS							OUTPUT
$\bar{G}_2$	$\bar{G}_1$	$\bar{G}_0$	$\bar{P}_2$	$\bar{P}_1$	$\bar{P}_0$	$C_n$	$C_{n+z}$
L	X	X	X	X	X	X	H
X	L	X	L	X	X	X	H
X	X	L	L	L	X	X	H
X	X	X	L	L	L	H	H
All other combinations							L

H = high level, L = low level, X = irrelevant  
Any inputs not shown in a given table are irrelevant with respect to that output.



**absolute maximum ratings over operating free-air temperature range (unless otherwise noted)**

Supply voltage, $V_{CC}$ (see Note 1)	7 V
Input voltage	5.5 V
Interemitter voltage (see Note 2)	5.5 V
Operating free-air temperature range: SN54', SN54S' Circuits	-55°C to 125°C
SN74', SN74S' Circuits	0°C to 70°C
Storage temperature range	-65°C to 150°C

- NOTES: 1. Voltage values, except interemitter voltage, are with respect to network ground terminal.  
2. This is the voltage between two emitters of a multiple-emitter input transistor. For these circuits, this rating applies to each  $\bar{G}$  input in conjunction with any other  $\bar{G}$  input or in conjunction with any  $\bar{P}$  input.

7

# TYPES SN54182, SN74182

## LOOK-AHEAD CARRY GENERATORS

### recommended operating conditions

	SN54182			SN74182			UNIT
	MIN	NOM	MAX	MIN	NOM	MAX	
Supply voltage, $V_{CC}$	4.5	5	5.5	4.75	5	5.25	V
High-level output current, $I_{OH}$			-800			-800	$\mu$ A
Low-level output current, $I_{OL}$			16			16	mA
Operating free-air temperature, $T_A$	-55		125	0		70	$^{\circ}$ C

### electrical characteristics over recommended operating free-air temperature range (unless otherwise noted)

PARAMETER		TEST CONDITIONS <sup>†</sup>	SN54182			SN74182			UNIT
			MIN	TYP <sup>‡</sup>	MAX	MIN	TYP <sup>‡</sup>	MAX	
$V_{IH}$	High-level input voltage		2			2			V
$V_{IL}$	Low-level input voltage				0.8			0.8	V
$V_{IK}$	Input clamp voltage	$V_{CC} = \text{MIN}, I_I = -12 \text{ mA}$			-1.5			-1.5	V
$V_{OH}$	High-level output voltage	$V_{CC} = \text{MIN}, V_{IH} = 2 \text{ V}, V_{IL} = 0.8 \text{ V}, I_{OH} = -800 \mu\text{A}$	2.4	3.4		2.4	3.4		V
$V_{OL}$	Low-level output voltage	$V_{CC} = \text{MIN}, V_{IH} = 2 \text{ V}, V_{IL} = 0.8 \text{ V}, I_{OL} = 16 \text{ mA}$		0.2	0.4		0.2	0.4	V
$I_I$	Input current at maximum input voltage	$V_{CC} = \text{MAX}, V_I = 5.5 \text{ V}$			1			1	mA
$I_{IH}$	High-level input current	$C_n$ input			80			80	$\mu$ A
		$\overline{P}3$ input			120			120	
		$\overline{P}2$ input			160			160	
		$\overline{P}0, \overline{P}1, \text{ or } \overline{G}3$ input			200			200	
		$\overline{G}0$ or $\overline{G}2$ input			360			360	
		$\overline{G}1$ input			400			400	
$I_{IL}$	Low-level input current	$C_n$ input			-3.2			-3.2	mA
		$\overline{P}3$ input			-4.8			-4.8	
		$\overline{P}2$ input			-6.4			-6.4	
		$\overline{P}0, \overline{P}1, \text{ or } \overline{G}3$ input			-8			-8	
		$\overline{G}0$ or $\overline{G}2$ input			-14.4			-14.4	
		$\overline{G}1$ input			-16			-16	
$I_{OS}$	Short-circuit output current <sup>§</sup>	$V_{CC} = \text{MAX}$	-40		-100	-40		-100	mA
$I_{CCH}$	Supply current, all outputs high	$V_{CC} = 5 \text{ V}$ , See Note 3		27			27		mA
$I_{CCL}$	Supply current, all outputs low	$V_{CC} = \text{MAX}$ , See Note 4		45	65		45	72	mA

<sup>†</sup> For conditions shown as MIN or MAX, use the appropriate value specified under recommended operating conditions.

<sup>‡</sup> All typical values are at  $V_{CC} = 5 \text{ V}, T_A = 25^{\circ}\text{C}$ .

<sup>§</sup> Not more than one output should be shorted at a time and duration of the short-circuit test should not exceed one second.

NOTES: 3.  $I_{CCH}$  is measured with all outputs open, inputs  $\overline{P}3$  and  $\overline{G}3$  at 4.5 V, and all other inputs grounded.

4.  $I_{CCL}$  is measured with all outputs open; inputs  $\overline{G}0, \overline{G}1$ , and  $\overline{G}2$  at 4.5 V; and all other inputs grounded.

### switching characteristics, $V_{CC} = 5 \text{ V}, T_A = 25^{\circ}\text{C}$

PARAMETER	TEST CONDITIONS	MIN	TYP	MAX	UNIT
$t_{PLH}$	Propagation delay time, low-to-high-level output		11	17	ns
$t_{PHL}$	Propagation delay time, high-to-low-level output		15	22	ns

NOTE 5: Load circuit and voltage waveforms are shown on page 3-10.

# TYPES SN54S182, SN74S182 LOOK-AHEAD CARRY GENERATORS

## recommended operating conditions

	SN54S182			SN74S182			UNIT
	MIN	NOM	MAX	MIN	NOM	MAX	
Supply voltage, $V_{CC}$	4.5	5	5.5	4.75	5	5.25	V
High-level output current, $I_{OH}$			-1			-1	mA
Low-level output current, $I_{OL}$			20			20	mA
Operating free-air temperature, $T_A$	-55		125	0		70	°C

## electrical characteristics over recommended operating free-air temperature range (unless otherwise noted)

PARAMETER		TEST CONDITIONS†	SN54S182			SN74S182			UNIT
			MIN	TYP‡	MAX	MIN	TYP‡	MAX	
$V_{IH}$	High-level input voltage		2			2			V
$V_{IL}$	Low-level input voltage				0.8			0.8	V
$V_{IK}$	Input clamp voltage	$V_{CC} = \text{MIN}, I_I = -18 \text{ mA}$			-1.2			-1.2	V
$V_{OH}$	High-level output voltage	$V_{CC} = \text{MIN}, V_{IH} = 2 \text{ V}, V_{IL} = 0.8 \text{ V}, I_{OH} = -1 \text{ mA}$	2.5	3.4		2.7	3.4		V
$V_{OL}$	Low-level output voltage	$V_{CC} = \text{MIN}, V_{IH} = 2 \text{ V}, V_{IL} = 0.8 \text{ V}, I_{OL} = 20 \text{ mA}$			0.5			0.5	V
$I_I$	Input current at maximum input voltage	$V_{CC} = \text{MAX}, V_I = 5.5 \text{ V}$			1			1	mA
$I_{IH}$	High-level input current	$C_n$ input			50			50	$\mu\text{A}$
		$\overline{P}3$ input			100			100	
		$\overline{P}2$ input			150			150	
		$\overline{P}0, \overline{P}1, \text{ or } \overline{G}3$ input			200			200	
		$\overline{G}0$ or $\overline{G}2$ input			350			350	
		$V_{CC} = \text{MAX}, V_I = 2.7 \text{ V}$			400			400	
$I_{IL}$	Low-level input current	$C_n$ input			-2			-2	mA
		$\overline{P}3$ input			-4			-4	
		$\overline{P}2$ input			-6			-6	
		$\overline{P}0, \overline{P}1, \text{ or } \overline{G}3$ input			-8			-8	
		$\overline{G}0$ or $\overline{G}2$ input			-14			-14	
		$V_{CC} = \text{MAX}, V_I = 0.5 \text{ V}$			-16			-16	
$I_{OS}$	Short-circuit output current§	$V_{CC} = \text{MAX}$	-40		-100	-40		-100	mA
$I_{CCH}$	Supply current, all outputs high	$V_{CC} = 5 \text{ V}$ , See Note 3		35			35		mA
$I_{CCL}$	Supply current, all outputs low	$V_{CC} = \text{MAX}$ , See Note 4		69	99		69	109	mA

† For conditions shown as MIN or MAX, use the appropriate value specified under recommended operating conditions for the applicable type.

‡ All typical values are at  $V_{CC} = 5 \text{ V}, T_A = 25^\circ \text{C}$ .

§ Not more than one output should be shorted at a time and duration of the short-circuit test should not exceed one second.

NOTES: 3.  $I_{CCH}$  is measured with all outputs open, inputs  $\overline{P}3$  and  $\overline{G}3$  at 4.5 V, and all other inputs grounded.

4.  $I_{CCL}$  is measured with all outputs open; inputs  $\overline{G}0, \overline{G}1$ , and  $\overline{G}2$  at 4.5 V; and all other inputs grounded.

## switching characteristics, $V_{CC} = 5 \text{ V}, T_A = 25^\circ \text{C}$

PARAMETER¶	FROM (INPUT)	TO (OUTPUT)	TEST CONDITIONS	MIN	TYP	MAX	UNIT
$t_{PLH}$	$\overline{G}0, \overline{G}1, \overline{G}2, \overline{G}3,$	$C_{n+x}, C_{n+y},$	$R_L = 280 \Omega, C_L = 15 \text{ pF},$ See Note 5	4.5	7		ns
$t_{PHL}$	$P0, P1, P2, \text{ or } P3$	or $C_{n+z}$		4.5	7		
$t_{PLH}$	$\overline{G}0, \overline{G}1, \overline{G}2, \overline{G}3,$	$\overline{G}$		5	7.5		ns
$t_{PHL}$	$P1, P2, \text{ or } P3$			7	10.5		
$t_{PLH}$	$\overline{P}0, \overline{P}1, \overline{P}2, \text{ or } \overline{P}3$	$\overline{P}$		4.5	6.5		ns
$t_{PHL}$				6.5	10		
$t_{PLH}$	$C_n$	$C_{n+x}, C_{n+y},$		6.5	10		ns
$t_{PHL}$		or $C_{n+z}$		7	10.5		

¶  $t_{PLH}$  ≡ propagation delay time, low-to-high-level output

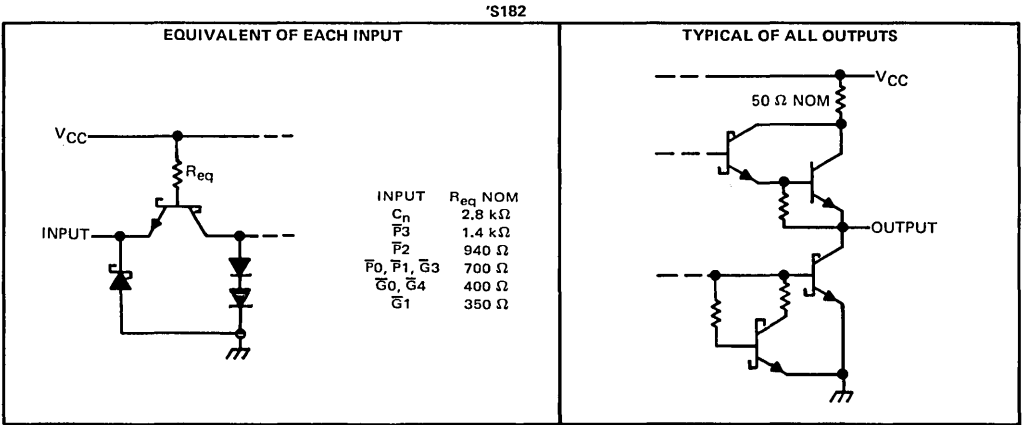
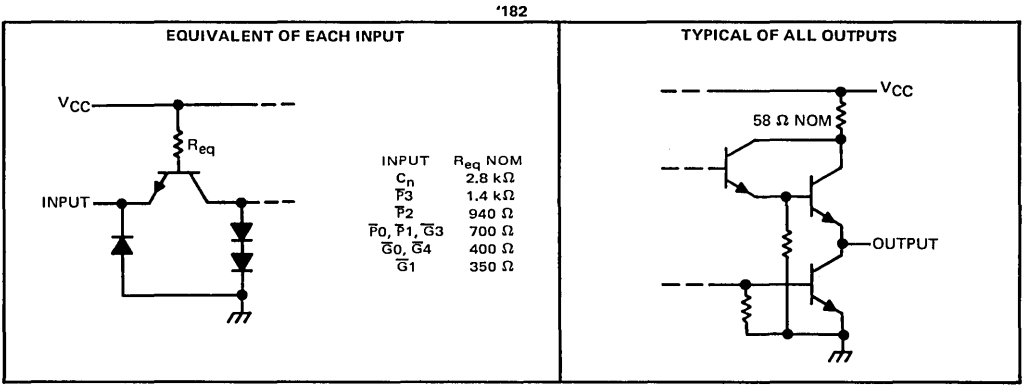
$t_{PHL}$  ≡ propagation delay time, high-to-low-level output

NOTE 5: Load circuit and voltage waveforms are shown on page 3-10.

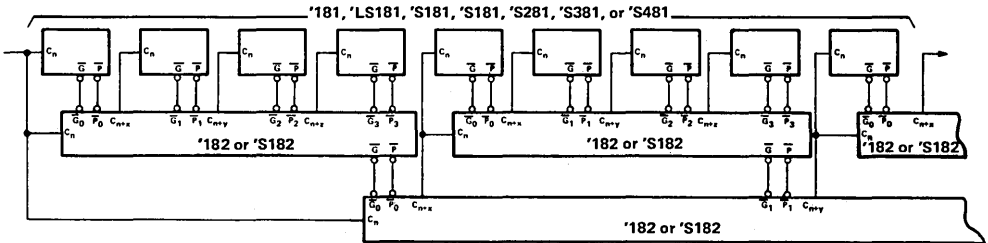
# TYPES SN54182, SN54S182, SN74182, SN74S182

## LOOK-AHEAD CARRY GENERATORS

schematics of inputs and outputs



### TYPICAL APPLICATION DATA



64-BIT ALU, FULL-CARRY LOOK-AHEAD IN THREE LEVELS

Remaining inputs and outputs of '181, 'LS181, 'S181, 'S281, 'S381, and 'S481 are not shown.

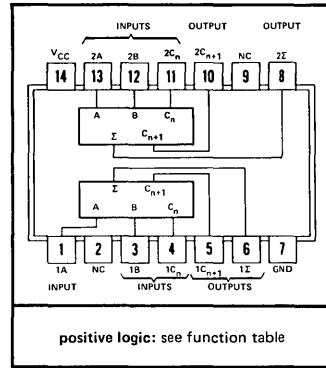
TTL  
MSI

# TYPES SN54H183, SN54LS183, SN74H183, SN74LS183 DUAL CARRY-SAVE FULL ADDERS

BULLETIN NO. DL-S 771 1848, OCTOBER 1976—REVISED AUGUST 1977

- For Use in High-Speed Wallace-Tree Summing Networks
- High-Speed, High-Fan-Out Darlington Outputs
- Input Clamping Diodes Simplify System Design

SN54H183, SN54LS183 . . . J OR W PACKAGE  
SN74H183, SN74LS183 . . . J OR N PACKAGE  
(TOP VIEW)



positive logic: see function table

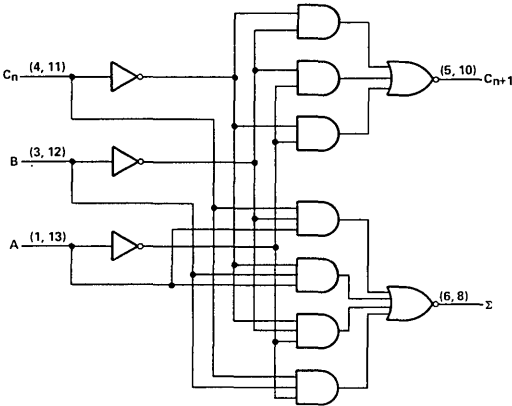
NC—No internal connection

TYPICAL AVERAGE  
PROPAGATION  
DELAY TIME

TYPICAL  
POWER  
DISSIPATION

TYPES	TYPICAL AVERAGE PROPAGATION DELAY TIME	TYPICAL POWER DISSIPATION
'H183	11 ns	110 mW per bit
'LS183	15 ns	23 mW per bit

functional block diagram (each adder)

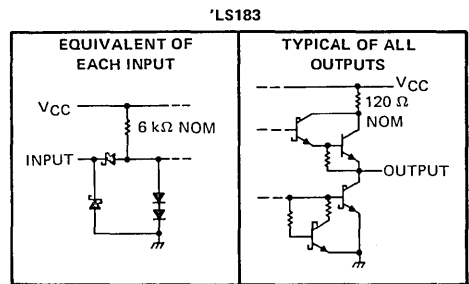
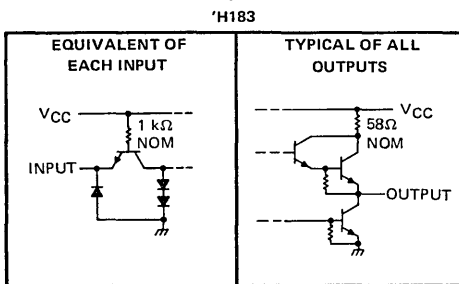


FUNCTION TABLE  
(EACH ADDER)

INPUTS			OUTPUTS	
C <sub>n</sub>	B	A	Σ	C <sub>n+1</sub>
L	L	L	L	L
L	L	H	H	L
L	H	L	H	L
L	H	H	L	H
H	L	L	H	L
H	L	H	L	H
H	H	L	L	H
H	H	H	H	H

H = high level, L = low level

schematics of inputs and outputs



description

These dual full adders feature an individual carry output from each bit for use in multiple-input, carry-save techniques to produce the true sum and true carry outputs with no more than two gate delays. The circuits utilize high-speed, high-fan-out, transistor-transistor logic (TTL), but are compatible with both DTL and TTL families. Series 54H and 54LS devices are characterized for operation over the full military temperature range of  $-55^{\circ}\text{C}$  to  $125^{\circ}\text{C}$ ; Series 74H and 74LS devices are characterized for operation from  $0^{\circ}\text{C}$  to  $70^{\circ}\text{C}$ .



# TYPES SN54H183, SN74H183

## DUAL CARRY-SAVE FULL ADDERS

REVISED AUGUST 1977

### absolute maximum ratings over operating free-air temperature range (unless otherwise noted)

Supply voltage $V_{CC}$ (see Note 1)	7 V
Input voltage	5.5 V
Interemitter voltage (see Note 2)	5.5 V
Operating free-air temperature range: SN54H183 Circuits	-55°C to 125°C
SN74H183 Circuits	0°C to 70°C
Storage temperature range	-65°C to 150°C

- NOTES: 1. Voltage values, except interemitter voltage, are with respect to network ground terminal.  
 2. This is the voltage between two emitters of a multiple-emitter transistor. For this circuit, this rating applies between any two inputs to the same adder.

### recommended operating conditions

	SN54H183			SN74H183			UNIT
	MIN	NOM	MAX	MIN	NOM	MAX	
Supply voltage, $V_{CC}$	4.5	5	5.5	4.75	5	5.25	V
High-level output current, $I_{OH}$			-1			-1	mA
Low-level output current, $I_{OL}$			20			20	mA
Operating free-air temperature, $T_A$	-55		125	0		70	°C

### electrical characteristics over recommended operating free-air temperature range (unless otherwise noted)

PARAMETER	TEST CONDITIONS <sup>†</sup>	MIN	TYP <sup>‡</sup>	MAX	UNIT
$V_{IH}$ High-level input voltage		2			V
$V_{IL}$ Low-level input voltage				0.8	V
$V_{IK}$ Input clamp voltage	$V_{CC} = \text{MIN}, I_I = -8 \text{ mA}$			-1.5	V
$V_{OH}$ High-level output voltage	$V_{CC} = \text{MIN}, V_{IH} = 2 \text{ V}, V_{IL} = 0.8 \text{ V}, I_{OH} = -1 \text{ mA}$	2.4	3.5		V
$V_{OL}$ Low-level output voltage	$V_{CC} = \text{MIN}, V_{IH} = 2 \text{ V}, V_{IL} = 0.8 \text{ V}, I_{OL} = 20 \text{ mA}$		0.2	0.4	V
$I_I$ Input current at maximum input voltage	$V_{CC} = \text{MAX}, V_I = 5.5 \text{ V}$			1	mA
$I_{IH}$ High-level input current	$V_{CC} = \text{MAX}, V_I = 2.4 \text{ V}$			150	μA
$I_{IL}$ Low-level input current	$V_{CC} = \text{MAX}, V_I = 0.4 \text{ V}$			-6	mA
$I_{OS}$ Short-circuit output current <sup>§</sup>	$V_{CC} = \text{MAX}$	-40		-100	mA
$I_{CCL}$ Supply current, all outputs low	$V_{CC} = \text{MAX},$ See Note 3		SN54H183 48	SN74H183 69	mA
$I_{CCH}$ Supply current, all outputs high	$V_{CC} = \text{MAX},$ See Note 4		40	65	mA

<sup>†</sup> For conditions shown as MIN or MAX, use the appropriate value specified under recommended operating conditions for the applicable type.  
<sup>‡</sup> All typical values are at  $V_{CC} = 5 \text{ V}, T_A = 25^\circ\text{C}$ .

<sup>§</sup> Not more than one output should be shorted at a time, and duration of the short circuit should not exceed one second.

- NOTES: 3.  $I_{CCL}$  is measured with all outputs open and all inputs grounded.  
 4.  $I_{CCH}$  is measured with all outputs open and all inputs at 4.5 V.

### switching characteristics, $V_{CC} = 5 \text{ V}, T_A = 25^\circ\text{C}$

PARAMETER	TEST CONDITIONS	MIN	TYP	MAX	UNIT
$t_{PLH}$ Propagation delay time, low-to-high-level output	$C_L = 25 \text{ pF}, R_L = 280 \Omega,$		10	15	ns
$t_{PHL}$ Propagation delay time, high-to-low-level output	See Note 5		12	18	ns

NOTE 5: Load circuit and waveforms are shown on page 3-10.

# TYPES SN54LS183, SN74LS183 DUAL CARRY-SAVE FULL ADDERS

REVISED AUGUST 1977

## absolute maximum ratings over operating free-air temperature range (unless otherwise noted)

Supply voltage $V_{CC}$ (see Note 1)	7 V
Input voltage	7 V
Operating free-air temperature range: SN54LS183 Circuits	-55°C to 125°C
SN74LS183 Circuits	0°C to 70°C
Storage temperature range	-65°C to 150°C

NOTE 1: Voltage values, except interemitter voltage, are with respect to network ground terminal.

## recommended operating conditions

	SN54LS183			SN74LS183			UNIT
	MIN	NOM	MAX	MIN	NOM	MAX	
Supply voltage, $V_{CC}$	4.5	5	5.5	4.75	5	5.25	V
High-level output current, $I_{OH}$			-400			-400	$\mu$ A
Low-level output current, $I_{OL}$			4			8	mA
Operating free-air temperature, $T_A$	-55		125	0		70	°C

## electrical characteristics over recommended operation free-air temperature range (unless otherwise noted)

PARAMETER	TEST CONDITIONS†	SN54LS183			SN74LS183			UNIT
		MIN	TYP‡	MAX	MIN	TYP‡	MAX	
$V_{IH}$ High-level input voltage		2			2			V
$V_{IL}$ Low-level input voltage				0.7			0.8	V
$V_{IK}$ Input clamp voltage	$V_{CC} = \text{MIN}, I_I = -18 \text{ mA}$			-1.5			-1.5	V
$V_{OH}$ High-level output voltage	$V_{CC} = \text{MIN}, V_{IH} = 2 \text{ V}, V_{IL} = V_{IL \text{ max}}, I_{OH} = -400 \mu\text{A}$	2.5	3.4		2.7	3.4		V
$V_{OL}$ Low-level output voltage	$V_{CC} = \text{MIN}, V_{IH} = 2 \text{ V}, V_{IL} = V_{IL \text{ max}}, I_{OL} = 4 \text{ mA}$		0.25	0.4		0.25	0.4	V
	$V_{CC} = \text{MIN}, V_{IH} = 2 \text{ V}, V_{IL} = V_{IL \text{ max}}, I_{OL} = 8 \text{ mA}$					0.35	0.5	
$I_I$ Input current at maximum input voltage	$V_{CC} = \text{MAX}, V_I = 7 \text{ V}$			0.3			0.3	mA
$I_{IH}$ High-level input current	$V_{CC} = \text{MAX}, V_I = 2.7 \text{ V}$			60			60	$\mu$ A
$I_{IL}$ Low-level input current	$V_{CC} = \text{MAX}, V_I = 0.4 \text{ V}$			-1.2			-1.2	mA
$I_{OS}$ Short-circuit output current§	$V_{CC} = \text{MAX}$	-20		-100	-20		-100	mA
$I_{CCL}$ Supply current, all outputs low	$V_{CC} = \text{MAX},$ See Note 3		10	17		10	17	mA
$I_{CCH}$ Supply current, all outputs high	$V_{CC} = \text{MAX},$ See Note 4		8	14		8	14	mA

† For conditions shown as MIN or MAX, use the appropriate value specified under recommended operating conditions for the applicable type.

‡ All typical values are at  $V_{CC} = 5 \text{ V}, T_A = 25^\circ\text{C}$ .

§ Not more than one output should be shorted at a time, and duration of the short circuit should not exceed one second.

NOTES: 3.  $I_{CCL}$  is measured with all outputs open and all inputs grounded.

4.  $I_{CCH}$  is measured with all outputs open and all inputs at 4.5 V.

## switching characteristics, $V_{CC} = 5 \text{ V}, T_A = 25^\circ\text{C}$

PARAMETER	TEST CONDITIONS	MIN	TYP	MAX	UNIT
$tp_{LH}$ Propagation delay time, low-to-high-level output	$C_L = 15 \text{ pF}, R_L = 2 \text{ k}\Omega,$		9	15	ns
$tp_{HL}$ Propagation delay time, high-to-low-level output	See Note 6		20	33	ns

NOTE 6: Load circuit and waveforms are shown on page 3-11.

TTL  
MSI

# TYPES SN54184, SN54185A, SN74184, SN74185A BCD-TO-BINARY AND BINARY-TO-BCD CONVERTERS

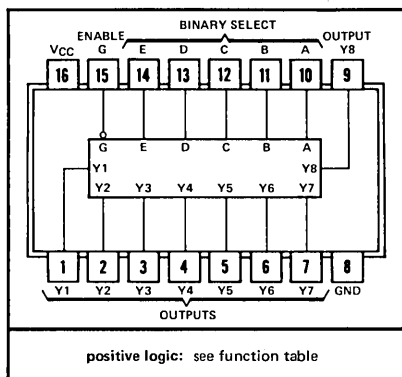
BULLETIN NO. DL-S 7211392, FEBRUARY 1971 — REVISED DECEMBER 1972

## SN54184, SN74184 BCD-TO-BINARY CONVERTERS SN54185A, SN74185A BINARY-TO-BCD CONVERTERS

### description

These monolithic converters are derived from the custom MSI 256-bit read-only memories SN5488 and SN7488. Emitter connections are made to provide direct read-out of converted codes at outputs Y8 through Y1 as shown in the function tables. These converters demonstrate the versatility of a read-only memory in that an unlimited number of reference tables or conversion tables may be built into a system using economical, customized read-only memories. Both of these converters comprehend that the least significant bits (LSB) of the binary and BCD codes are logically equal, and in each case the LSB bypasses the converter as illustrated in the typical applications. This means that a 6-bit converter is produced in each case. Both devices are cascadable to N bits.

SN54184, SN54185A . . . J OR W PACKAGE  
SN74184, SN74185A . . . J OR N PACKAGE  
(TOP VIEW)



An overriding enable input is provided on each converter which, when taken high, inhibits the function, causing all outputs to go high. For this reason, and to minimize power consumption, unused outputs Y7 and Y8 of the '185A and all "don't care" conditions of the '184 are programmed high. The outputs are of the open-collector type.

The SN54184 and SN54185A are characterized for operation over the full military temperature range of  $-55^{\circ}\text{C}$  to  $125^{\circ}\text{C}$ ; the SN74184 and SN74185A are characterized for operation from  $0^{\circ}\text{C}$  to  $70^{\circ}\text{C}$ .

### SN54184 and SN74184 BCD-to-binary converters

The 6-bit BCD-to-binary function of the SN54184 and SN74184 is analogous to the algorithm:

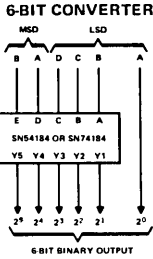
- a. Shift BCD number right one bit and examine each decade. Subtract three from each 4-bit decade containing a binary value greater than seven.
- b. Shift right, examine, and correct after each shift until the least significant decade contains a number smaller than eight and all other converted decades contain zeros.

TABLE I  
SN54184, SN74184  
PACKAGE COUNT AND DELAY TIMES  
FOR BCD-TO-BINARY CONVERSION

INPUT (DECADES)	PACKAGES REQUIRED	TOTAL DELAY TIMES (ns)	
		TYP	MAX
2	2	56	80
3	6	140	200
4	11	196	280
5	19	280	400
6	28	364	520

# TYPES SN54184, SN54185A, SN74184, SN74185A BCD-TO-BINARY AND BINARY-TO-BCD CONVERTERS

SN54184 and SN74184 BCD-to-binary converters (continued)



**FUNCTION TABLE  
BCD-TO-BINARY  
CONVERTER**

BCD WORDS	INPUTS (See Note A)					G	OUTPUTS (See Note B)				
	E	D	C	B	A		Y5	Y4	Y3	Y2	Y1
0-1	L	L	L	L	L	L	L	L	L	L	L
2-3	L	L	L	L	H	L	L	L	L	L	H
4-5	L	L	L	H	L	L	L	L	H	L	L
6-7	L	L	L	H	H	L	L	L	L	H	H
8-9	L	L	H	L	L	L	L	L	H	L	L
10-11	L	H	L	L	L	L	L	L	H	L	H
12-13	L	H	L	L	H	L	L	L	H	H	L
14-15	L	H	L	H	L	L	L	L	H	H	H
16-17	L	H	L	H	H	L	L	H	L	L	L
18-19	L	H	H	L	L	L	L	H	L	L	H
20-21	H	L	L	L	L	L	L	L	H	L	H
22-23	H	L	L	L	H	L	L	H	L	H	H
24-25	H	L	L	H	L	L	L	H	H	L	L
26-27	H	L	L	H	H	L	L	H	H	L	H
28-29	H	L	H	L	L	L	L	H	H	H	L
30-31	H	H	L	L	L	L	L	H	H	H	H
32-33	H	H	L	L	H	L	H	L	L	L	L
34-35	H	H	L	H	L	L	H	L	L	L	H
36-37	H	H	L	H	H	L	H	L	L	H	L
38-39	H	H	H	L	L	L	H	L	L	H	H
ANY	X	X	X	X	X	H	H	H	H	H	H

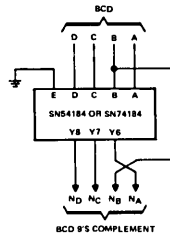
H = high level, L = low level, X = irrelevant

NOTES: A. Input conditions other than those shown produce highs at outputs Y1 through Y5.

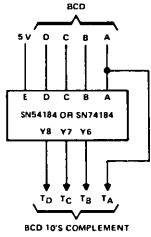
B. Outputs Y6, Y7, and Y8 are not used for BCD-to-binary conversion.

In addition to BCD-to-binary conversion, the SN54184 and SN74184 are programmed to generate BCD 9's complement or BCD 10's complement. Again, in each case, one bit of the complement code is logically equal to one of the BCD bits; therefore, these complements can be produced on three lines. As outputs Y6, Y7, and Y8 are not required in the BCD-to-binary conversion, they are utilized to provide these complement codes as specified in the function table (above, right) when the devices are connected as shown above the function table.

**BCD 9'S  
COMPLEMENT CONVERTER**



**BCD 10'S  
COMPLEMENT CONVERTER**



**FUNCTION TABLE  
BCD 9'S OR BCD 10'S  
COMPLEMENT CONVERTER**

BCD WORD	INPUTS (See Note C)					G	OUTPUTS (See Note D)			
	E <sup>†</sup>	D	C	B	A		Y8	Y7	Y6	
0	L	L	L	L	L	L	L	H	L	H
1	L	L	L	L	H	L	L	H	L	L
2	L	L	L	H	L	L	L	L	H	H
3	L	L	L	H	H	L	L	L	H	L
4	L	L	H	L	L	L	L	L	H	H
5	L	L	H	L	H	L	L	L	H	L
6	L	L	H	H	L	L	L	L	L	H
7	L	L	H	H	H	L	L	L	L	L
8	L	H	L	L	L	L	L	L	L	H
9	L	H	L	L	H	L	L	L	L	L
0	H	L	L	L	L	L	L	L	L	L
1	H	L	L	L	H	L	L	H	L	L
2	H	L	L	H	L	L	H	L	L	L
3	H	L	L	H	H	L	L	H	L	H
4	H	L	H	L	L	L	L	L	H	H
5	H	L	H	L	H	L	L	L	H	L
6	H	L	H	H	L	L	L	L	H	L
7	H	L	H	H	H	L	L	L	L	H
8	H	H	L	L	L	L	L	L	L	H
9	H	H	L	L	H	L	L	L	L	L
ANY	X	X	X	X	X	H	H	H	H	H

H = high level, L = low level, X = irrelevant

NOTES: C. Input conditions other than those shown produce highs at outputs Y6, Y7, and Y8.

D. Outputs Y1 through Y5 are not used for BCD 9's or BCD 10's complement conversion.

<sup>†</sup>When these devices are used as complement converters, input E is used as a mode control. With this input low, the BCD 9's complement is generated; when it is high, the BCD 10's complement is generated.

7

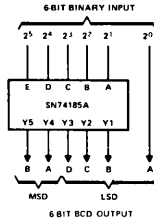
# TYPES SN54184, SN54185A, SN74184, SN74185A BCD-TO-BINARY AND BINARY-TO-BCD CONVERTERS

## SN54185A and SN74185A binary-to-BCD converters

The function performed by these 6-bit binary-to-BCD converters is analogous to the algorithm:

- Examine the three most significant bits. If the sum is greater than four, add three and shift left one bit.
- Examine each BCD decade. If the sum is greater than four, add three and shift left one bit.
- Repeat step b until the least-significant binary bit is in the least-significant BCD location.

### 6-BIT CONVERTER



### FUNCTION TABLE

BINARY WORDS	INPUTS			OUTPUTS							
	BINARY SELECT	ENABLE	G	Y8	Y7	Y6	Y5	Y4	Y3	Y2	Y1
0 - 1	L L L L L L	L	L	H	H	L	L	L	L	L	L
2 - 3	L L L L H H	L	L	H	H	L	L	L	L	H	H
4 - 5	L L L H H L	L	H	H	L	L	L	L	H	L	L
6 - 7	L L L H H H	L	H	H	L	L	L	L	H	H	H
8 - 9	L L H L L L	L	H	H	L	L	H	L	L	L	L
10 - 11	L L H L H H	L	H	H	L	L	H	L	L	L	L
12 - 13	L L H H L L	L	H	H	L	L	H	L	H	L	H
14 - 15	L L H H H H	L	H	H	L	L	H	L	H	H	L
16 - 17	L H L L L L	L	H	H	L	L	H	L	H	L	H
18 - 19	L H L L H L	L	H	H	L	L	H	L	H	L	L
20 - 21	L H L H L L	L	H	H	L	H	L	L	L	L	L
22 - 23	L H L H H H	L	H	H	L	H	L	L	L	L	H
24 - 25	L H H L L L	L	H	H	L	H	L	H	L	L	L
26 - 27	L H H L H L	L	H	H	L	H	L	H	L	L	H
28 - 29	L H H H L L	L	H	H	L	H	L	H	L	H	L
30 - 31	L H H H H H	L	H	H	L	H	L	H	H	L	L
32 - 33	H L L L L L	L	H	H	L	H	H	L	L	L	H
34 - 35	H L L L H L	L	H	H	L	H	H	L	H	L	L
36 - 37	H L L H L L	L	H	H	L	H	H	L	H	L	H
38 - 39	H L L H H H	L	H	H	L	H	H	L	H	H	L
40 - 41	H L H L L L	L	H	H	L	L	L	L	L	L	L
42 - 43	H L H L H L	L	H	H	L	L	L	L	L	L	H
44 - 45	H L H H L L	L	H	H	L	L	L	L	H	L	L
46 - 47	H L H H H H	L	H	H	L	L	L	L	H	H	H
48 - 49	H H L L L L	L	H	H	L	L	L	H	L	L	L
50 - 51	H H L L H L	L	H	H	L	L	H	L	L	L	L
52 - 53	H H L H L L	L	H	H	L	H	L	L	H	L	H
54 - 55	H H L H H H	L	H	H	L	H	L	H	L	H	L
56 - 57	H H H L L L	L	H	H	L	L	L	H	L	H	H
58 - 59	H H H L H L	L	H	H	L	L	H	L	H	L	L
60 - 61	H H H H L L	L	H	H	L	L	H	L	L	L	L
62 - 63	H H H H H H	L	H	H	L	L	H	L	L	L	H
ALL	X X X X X	H	H	H	H	H	H	H	H	H	H

H = high level, L = low level, X = irrelevant

### absolute maximum ratings over operating free-air temperature range (unless otherwise noted)

Supply voltage, $V_{CC}$ (see Note 1)	7 V
Input voltage	5.5 V
Operating free-air temperature range: SN54184, SN54185A	-55°C to 125°C
SN74184, SN74185A	0°C to 70°C
Storage temperature range	-65°C to 150°C

NOTE 1: Voltage values are with respect to network ground terminal.

# TYPES SN54184, SN54185A, SN74184, SN74185A BCD-TO-BINARY AND BINARY-TO-BCD CONVERTERS

REVISED DECEMBER 1980

## recommended operating conditions

	SN54184, SN54185A			SN74184, SN74185A			UNIT
	MIN	NOM	MAX	MIN	NOM	MAX	
Supply voltage, $V_{CC}$	4.5	5	5.5	4.75	5	5.25	V
Low-level output current, $I_{OL}$	12			12			mA
Operating free-air temperature, $T_A$	-55			125			$^{\circ}$ C

## electrical characteristics over recommended operating free-air temperature range (unless otherwise noted)

PARAMETER	TEST CONDITIONS <sup>†</sup>	MIN	TYP <sup>‡</sup>	MAX	UNIT
$V_{IH}$ High-level input voltage		2			V
$V_{IL}$ Low-level input voltage		0.8			V
$V_{IK}$ Input clamp voltage	$V_{CC} = \text{MIN}$ , $I_I = -12 \text{ mA}$	-1.5			V
$I_{OH}$ High-level output current	$V_{CC} = \text{MIN}$ , $V_{IH} = 2 \text{ V}$ , $V_{IL} = 0.8 \text{ V}$ , $V_{OH} = 5.5 \text{ V}$	100			$\mu$ A
$V_{OL}$ Low-level output voltage	$V_{CC} = \text{MIN}$ , $V_{IH} = 2 \text{ V}$ , $V_{IL} = 0.8 \text{ V}$ , $I_{OL} = 12 \text{ mA}$	0.4			V
$I_I$ Input current at maximum input voltage	$V_{CC} = \text{MAX}$ , $V_I = 5.5 \text{ V}$	1			mA
$I_{IH}$ High-level input current	$V_{CC} = \text{MAX}$ , $V_I = 2.4 \text{ V}$	40			$\mu$ A
$I_{IL}$ Low-level input current	$V_{CC} = \text{MAX}$ , $V_I = 0.4 \text{ V}$	-1			mA
$I_{CCH}$ Supply current, all outputs high	$V_{CC} = \text{MAX}$	50			mA
$I_{CCL}$ Supply current, all programmed outputs low		62			

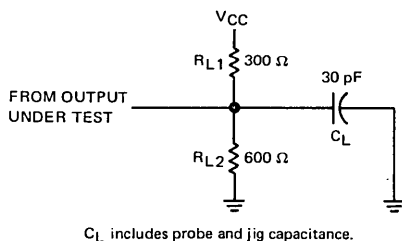
<sup>†</sup>For conditions shown as MIN or MAX, use the appropriate value specified under recommended operating conditions for the applicable type.

<sup>‡</sup>All typical values are at  $V_{CC} = 5 \text{ V}$ ,  $T_A = 25^{\circ}\text{C}$ .

## switching characteristics, $V_{CC} = 5 \text{ V}$ , $T_A = 25^{\circ}\text{C}$

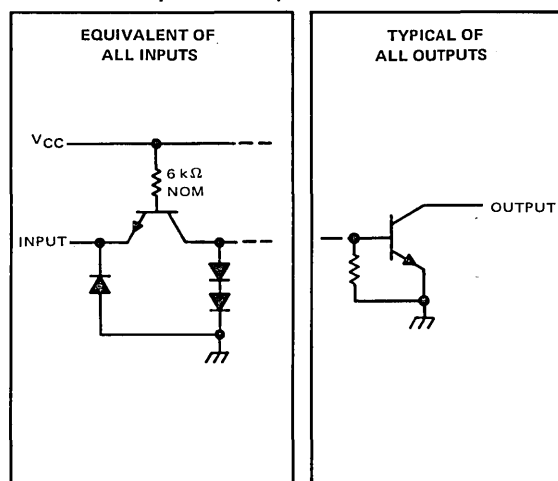
PARAMETER	TEST CONDITIONS	MIN	TYP	MAX	UNIT
$t_{PLH}$ Propagation delay time, low-to-high-level output from enable G	$C_L = 30 \text{ pF}$ , $R_{L1} = 300 \Omega$ ,	19			ns
$t_{PHL}$ Propagation delay time, high-to-low-level output from enable G		22			
$t_{PLH}$ Propagation delay time, low-to-high-level output from binary select	$R_{L2} = 600 \Omega$ ,	27			ns
$t_{PHL}$ Propagation delay time, high-to-low-level output from binary select	See Figure 1 and Note 2	23			

### PARAMETER MEASUREMENT INFORMATION



LOAD CIRCUIT  
FIGURE 1

### schematics of inputs and outputs



NOTE 2: Voltage waveforms are shown on page 3-10.

TEXAS INSTRUMENTS  
INCORPORATED

POST OFFICE BOX 225012 • DALLAS, TEXAS 75265

7-293

# TYPES SN54184, SN54185A, SN74184, SN74185A BCD-TO-BINARY AND BINARY-TO-BCD CONVERTERS

## TYPICAL APPLICATION DATA SN54184, SN74184

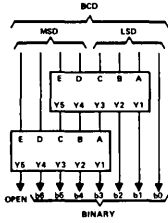


FIGURE 1—BCD-TO-BINARY CONVERTER  
FOR TWO BCD DECADES

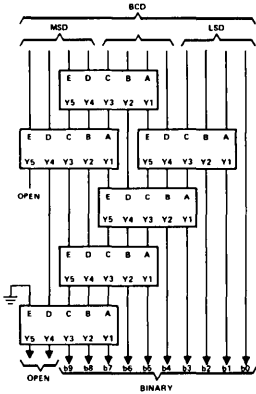


FIGURE 2—BCD-TO-BINARY CONVERTER  
FOR THREE BCD DECADES

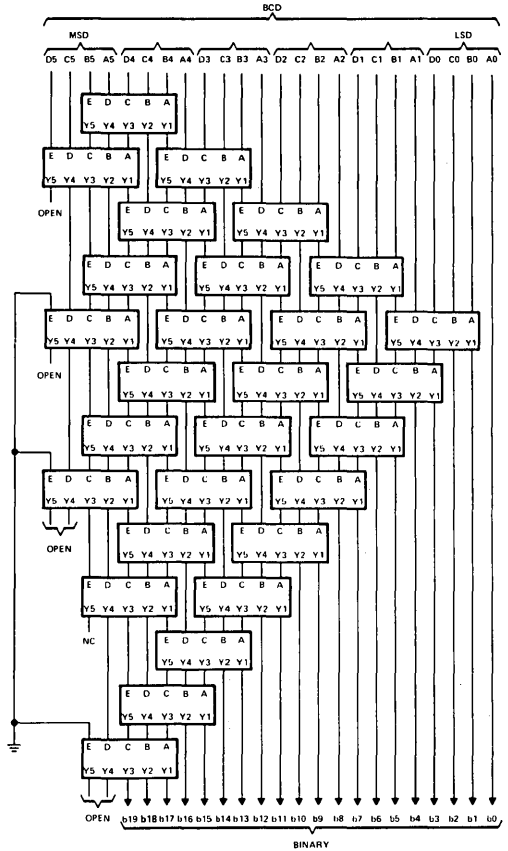


FIGURE 3—BCD-TO-BINARY CONVERTER  
FOR SIX BCD DECADES

MSD—most significant decade  
LSD—least significant decade  
Each rectangle represents an SN54184 or SN74184.

# TYPES SN54184, SN54185A, SN74184, SN74185A BCD-TO-BINARY AND BINARY-TO-BCD CONVERTERS

## TYPICAL APPLICATION DATA SN54185A, SN74185A

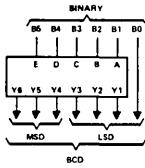


FIGURE 4—6-BIT BINARY-TO-BCD CONVERTER

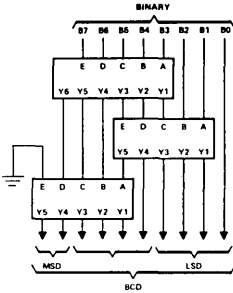


FIGURE 5—8-BIT BINARY-TO-BCD CONVERTER

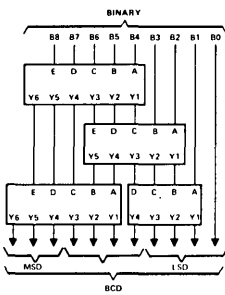


FIGURE 6—9-BIT BINARY-TO-BCD CONVERTER

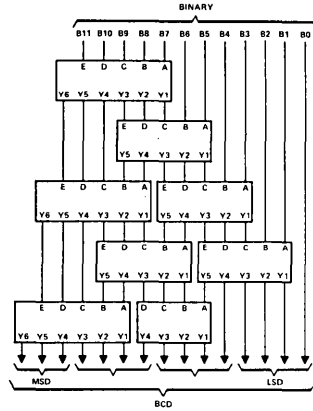


FIGURE 7—12-BIT BINARY-TO-BCD CONVERTER (SEE NOTE B)

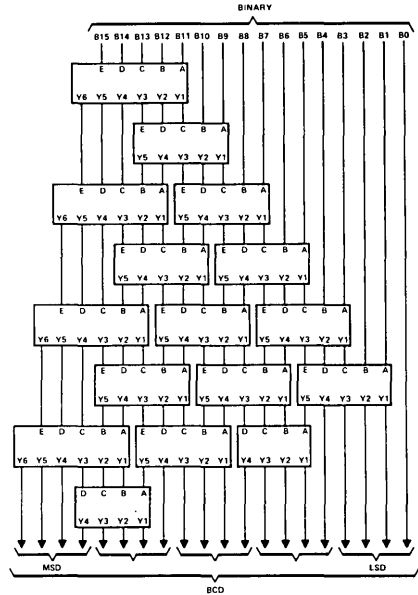


FIGURE 8—16-BIT BINARY-TO-BCD CONVERTER (SEE NOTE B)

MSD—Most significant decade

LSD—Least significant decade

NOTES: A. Each rectangle represents an SN54185A or an SN74185A.

B. All unused E inputs are grounded.

7



# TYPES SN54190, SN54191, SN54LS190, SN54LS191, SN74190, SN74191, SN74LS190, SN74LS191 SYNCHRONOUS UP/DOWN COUNTERS WITH DOWN/UP MODE CONTROL

BULLETIN NO. DL-S 11865, DECEMBER 1972 — REVISED DECEMBER 1980

- Counts 8-4-2-1 BCD or Binary
- Single Down/Up Count Control Line
- Count Enable Control Input
- Ripple Clock Output for Cascading
- Asynchronously Presettable with Load Control
- Parallel Outputs
- Cascadable for n-Bit Applications

TYPE	AVERAGE PROPAGATION DELAY	TYPICAL MAXIMUM CLOCK FREQUENCY	TYPICAL POWER DISSIPATION
'190, '191	20 ns	25 MHz	325 mW
'LS190, 'LS191	20 ns	25 MHz	100 mW

## description

The '190, 'LS190, '191, and 'LS191 are synchronous, reversible up/down counters having a complexity of 58 equivalent gates. The '191 and 'LS191 are 4-bit binary counters and the '190 and 'LS190 are BCD counters. Synchronous operation is provided by having all flip-flops clocked simultaneously so that the outputs change coincident with each other when so instructed by the steering logic. This mode of operation eliminates the output counting spikes normally associated with asynchronous (ripple clock) counters.

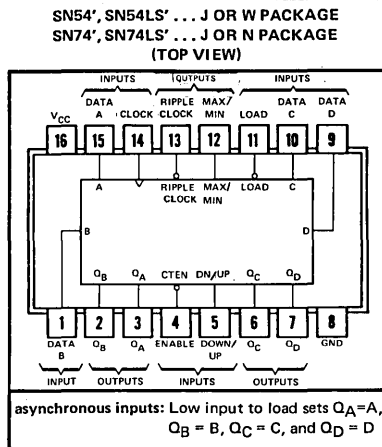
The outputs of the four master-slave flip-flops are triggered on a low-to-high-level transition of the clock input if the enable input is low. A high at the enable input inhibits counting. Level changes at the enable input should be made only when the clock input is high. The direction of the count is determined by the level of the down/up input. When low, the counter counts up and when high, it counts down. A false clock may occur if the down/up input changes while the clock is low. A false ripple carry may occur if both the clock and enable are low and the down/up input is high during a load pulse.

These counters are fully programmable; that is, the outputs may be preset to either level by placing a low on the load input and entering the desired data at the data inputs. The output will change to agree with the data inputs independently of the level of the clock input. This feature allows the counters to be used as modulo-N dividers by simply modifying the count length with the preset inputs.

The clock, down/up, and load inputs are buffered to lower the drive requirement which significantly reduces the number of clock drivers, etc., required for long parallel words.

Two outputs have been made available to perform the cascading function: ripple clock and maximum/minimum count. The latter output produces a high-level output pulse with a duration approximately equal to one complete cycle of the clock when the counter overflows or underflows. The ripple clock output produces a low-level output pulse equal in width to the low-level portion of the clock input when an overflow or underflow condition exists. The counters can be easily cascaded by feeding the ripple clock output to the enable input of the succeeding counter if parallel clocking is used, or to the clock input if parallel enabling is used. The maximum/minimum count output can be used to accomplish look-ahead for high-speed operation.

Series 54' and 54LS' are characterized for operation over the full military temperature range of  $-55^{\circ}\text{C}$  to  $125^{\circ}\text{C}$ ; Series 74' and 74LS' are characterized for operation from  $0^{\circ}\text{C}$  to  $70^{\circ}\text{C}$ .

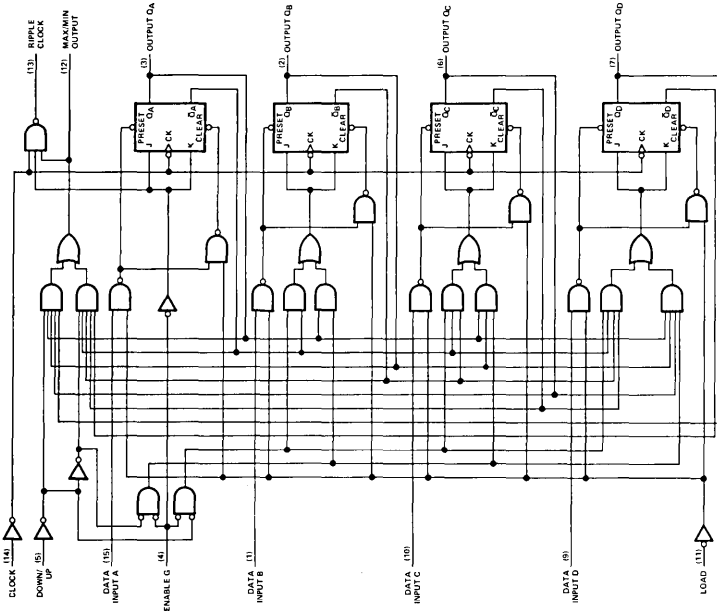


# TYPES SN54190, SN54191, SN54LS190, SN54LS191, SN74190, SN74191, SN74LS190, SN74LS191

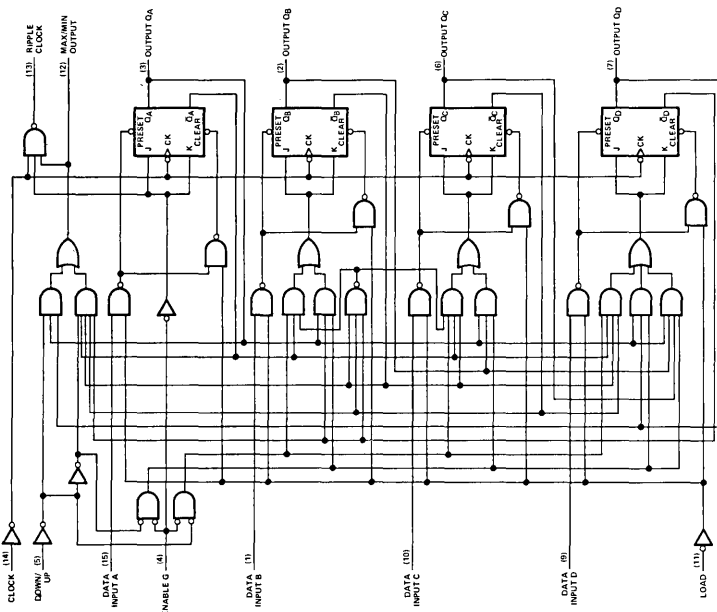
## SYNCHRONOUS UP/DOWN COUNTERS WITH DOWN/UP MODE CONTROL

functional block diagrams

'191, 'LS191 BINARY COUNTERS



'190, 'LS190 DECADE COUNTERS



⊕

Dynamic input activated by a transition from a high level to a low level.

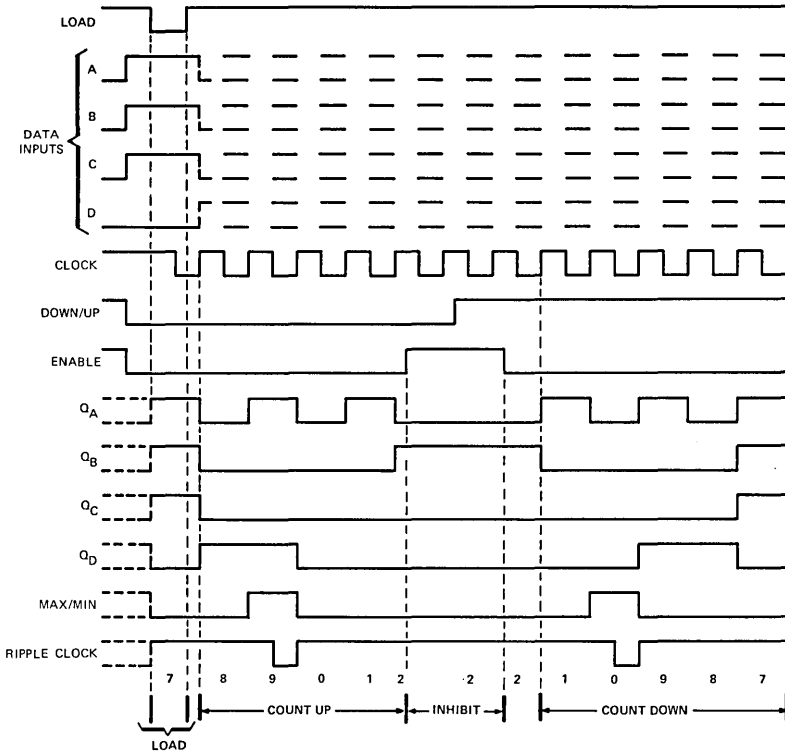
# TYPES SN54190, SN54LS190, SN74190, SN74LS190 SYNCHRONOUS UP/DOWN COUNTERS WITH DOWN/UP MODE CONTROL

## '190, 'LS190 DECADE COUNTERS

### typical load, count, and inhibit sequences

Illustrated below is the following sequence:

1. Load (preset) to BCD seven.
2. Count up to eight, nine (maximum), zero, one, and two.
3. Inhibit.
4. Count down to one, zero (minimum), nine, eight, and seven.



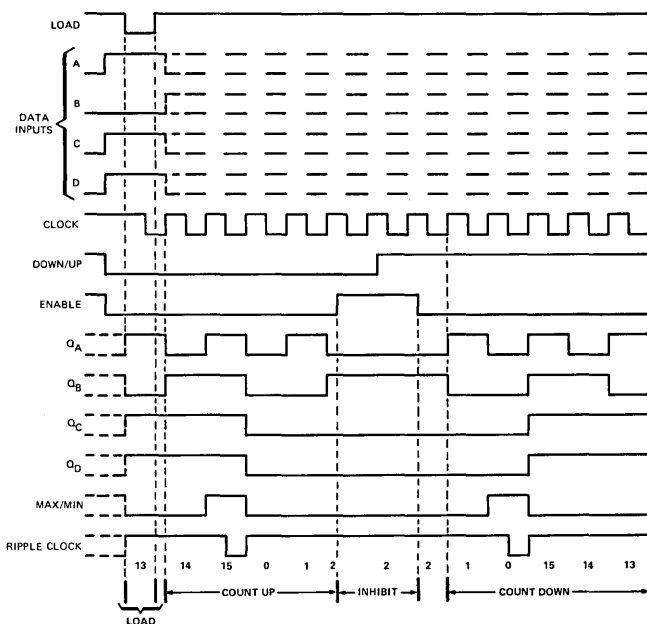
# TYPES SN54191, SN54LS191, SN74191, SN74LS191 SYNCHRONOUS UP/DOWN COUNTERS WITH DOWN/UP MODE CONTROL

## '191, 'LS191 BINARY COUNTERS

### typical load, count, and inhibit sequences

Illustrated below is the following sequence:

1. Load (preset) to binary thirteen.
2. Count up to fourteen, fifteen (maximum), zero, one, and two.
3. Inhibit.
4. Count down to one, zero (minimum), fifteen, fourteen, and thirteen.



### absolute maximum ratings over operating free-air temperature range (unless otherwise noted)

Supply voltage, $V_{CC}$ (see Note 1)	7 V
Input voltage: SN54', SN74' Circuits	5.5 V
SN54LS', SN74LS' Circuits	7 V
Operating free-air temperature range: SN54', SN54LS' Circuits	-55°C to 125°C
SN74', SN74LS' Circuits	0°C to 70°C
Storage temperature range	-65°C to 150°C

NOTE 1: Voltage values are with respect to network ground terminal.

# TYPES SN54190, SN54191, SN74190, SN74191

## SYNCHRONOUS UP/DOWN COUNTERS WITH DOWN/UP MODE CONTROL

### recommended operating conditions

	SN54190, SN54191			SN74190, SN74191			UNIT
	MIN	NOM	MAX	MIN	NOM	MAX	
Supply voltage, $V_{CC}$	4.5	5	5.5	4.75	5	5.25	V
High-level output current, $I_{OH}$	-800			-800			$\mu$ A
Low-level output current, $I_{OL}$	16			16			mA
Input clock frequency, $f_{clock}$	0		20	0		20	MHz
Width of clock input pulse, $t_{w(clock)}$	25			25			ns
Width of load input pulse, $t_{w(load)}$	35			35			ns
Data setup time, $t_{setup}$ (See Figures 1 and 2)	20			20			ns
Data hold time, $t_{hold}$	0			0			ns
Operating free-air temperature, $T_A$	-55		125	0		70	$^{\circ}$ C

### electrical characteristics over recommended operating free-air temperature range (unless otherwise noted)

PARAMETER	TEST CONDITIONS†	SN54190, SN54191			SN74190, SN74191			UNIT
		MIN	TYP‡	MAX	MIN	TYP‡	MAX	
$V_{IH}$ High-level input voltage	$V_{CC} = \text{MIN}$	2			2			V
$V_{IL}$ Low-level input voltage	$V_{CC} = \text{MIN}$	0.8			0.8			V
$V_{IK}$ Input clamp voltage	$V_{CC} = \text{MIN}, I_I = -12 \text{ mA}$	-1.5			-1.5			V
$V_{OH}$ High-level output voltage	$V_{CC} = \text{MIN}, V_{IH} = 2 \text{ V}, V_{IL} = 0.8 \text{ V}, I_{OH} = -800 \mu\text{A}$	2.4	3.4		2.4	3.4		V
$V_{OL}$ Low-level output voltage	$V_{CC} = \text{MIN}, V_{IH} = 2 \text{ V}, V_{IL} = 0.8 \text{ V}, I_{OL} = 16 \text{ mA}$	0.2	0.4		0.2	0.4		V
$I_I$ High-level input current at maximum input voltage	$V_{CC} = \text{MAX}, V_I = 5.5 \text{ V}$	1			1			mA
$I_{IH}$ High-level input current at any input except enable	$V_{CC} = \text{MAX}, V_I = 2.4 \text{ V}$	40			40			$\mu$ A
$I_{IH}$ High-level input current at enable input		120			120			$\mu$ A
$I_{IL}$ Low-level input current at any input except enable	$V_{CC} = \text{MAX}, V_I = 0.4 \text{ V}$	-1.6			-1.6			mA
$I_{IL}$ Low-level input current at enable input		-4.8			-4.8			mA
$I_{OS}$ Short-circuit output current§	$V_{CC} = \text{MAX}$	-20	-65		-18	-65		mA
$I_{CC}$ Supply current	$V_{CC} = \text{MAX},$ See Note 2	65		99	65		105	mA

† For conditions shown as MAX or MIN, use appropriate value specified under recommended operating conditions.

‡ All typical values are at  $V_{CC} = 5 \text{ V}, T_A = 25^{\circ}\text{C}$ .

§ Not more than one output should be shorted at a time.

NOTE 2:  $I_{CC}$  is measured with all inputs grounded and all outputs open.

# TYPES SN54190, SN54191, SN74190, SN74191 SYNCHRONOUS UP/DOWN COUNTERS WITH DOWN/UP MODE CONTROL

switching characteristics,  $V_{CC} = 5\text{ V}$ ,  $T_A = 25^\circ\text{C}$

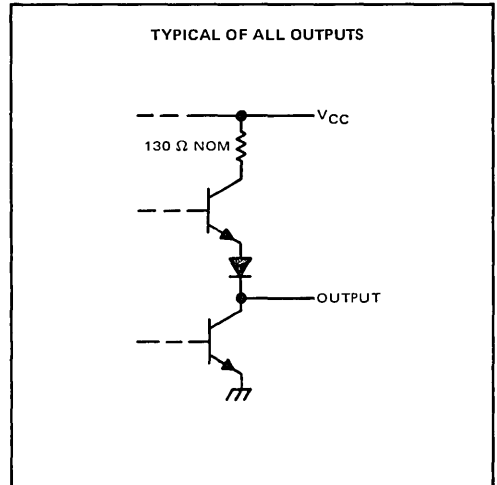
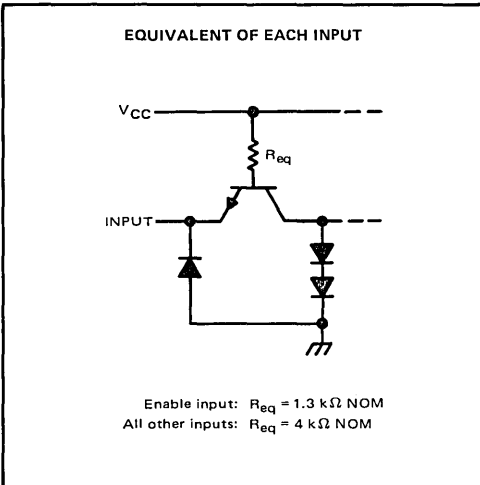
PARAMETER <sup>†</sup>	FROM (INPUT)	TO (OUTPUT)	TEST CONDITIONS	'190, '191			UNIT
				MIN	TYP	MAX	
$f_{max}$			$C_L = 15\text{ pF}$ , $R_L = 400\ \Omega$ , See Figures 1 and 3 thru 7	20	25		MHz
$t_{PLH}$	Load	$Q_A, Q_B, Q_C, Q_D$		22	33		ns
$t_{PHL}$				33	50		
$t_{PLH}$	Data A, B, C, D	$Q_A, Q_B, Q_C, Q_D$		14	22		ns
$t_{PHL}$				35	50		
$t_{PLH}$	Clock	Ripple Clock		13	20		ns
$t_{PHL}$				16	24		
$t_{PLH}$	Clock	$Q_A, Q_B, Q_C, Q_D$		16	24		ns
$t_{PHL}$				24	36		
$t_{PLH}$	Clock	Max/Min		28	42		ns
$t_{PHL}$				37	52		
$t_{PLH}$	Down/Up	Ripple Clock		30	45		ns
$t_{PHL}$				30	45		
$t_{PLH}$	Down/Up	Max/Min		21	33		ns
$t_{PHL}$				22	33		

<sup>†</sup> $f_{max}$   $\equiv$  maximum clock frequency

$t_{PLH}$   $\equiv$  propagation delay time, low-to-high-level output

$t_{PHL}$   $\equiv$  propagation delay time, high-to-low-level output

## schematics of inputs and outputs



# TYPES SN54LS190, SN54LS191, SN74LS190, SN74LS191

## SYNCHRONOUS UP/DOWN COUNTERS WITH DOWN/UP MODE CONTROL

REVISED DECEMBER 1980

### recommended operating conditions

	SN54LS190 SN54LS191			SN74LS190 SN74LS191			UNIT
	MIN	NOM	MAX	MIN	NOM	MAX	
Supply voltage, $V_{CC}$	4.5	5	5.5	4.75	5	5.25	V
High-level output current, $I_{OH}$	-400			-400			$\mu A$
Low-level output current, $I_{OL}$	4			8			mA
Clock frequency, $f_{clock}$	0	20		0	20		MHz
Width of clock input pulse, $t_{w(clock)}$	25			25			ns
Width of load input pulse, $t_{w(load)}$	35			35			ns
Data setup time, $t_{setup}$ (See Figures 1 and 2)	20			20			ns
Data hold time, $t_{hold}$	5			5			ns
Count enable time, $t_{enable}$ (see Note 3)	40			40			ns
Operating free-air temperature, $T_A$	-55	125		0	70		$^{\circ}C$

### electrical characteristics over recommended operating free-air temperature range (unless otherwise noted)

PARAMETER		TEST CONDITIONS <sup>†</sup>	SN54LS190 SN54LS191			SN74LS190 SN74LS191			UNIT
			MIN	TYP <sup>‡</sup>	MAX	MIN	TYP <sup>‡</sup>	MAX	
$V_{IH}$	High-level input voltage		2			2			V
$V_{IL}$	Low-level input voltage		0.7			0.8			V
$V_{IK}$	Input clamp voltage	$V_{CC} = \text{MIN}, I_I = -18 \text{ mA}$	-1.5			-1.5			V
$V_{OH}$	High-level output voltage	$V_{CC} = \text{MIN}, V_{IH} = 2 \text{ V}, V_{IL} = V_{IL \text{ max}}, I_{OH} = -400 \mu A$	2.5	3.4		2.7	3.4		V
$V_{OL}$	Low-level output voltage	$V_{CC} = \text{MIN}, V_{IH} = 2 \text{ V}, V_{IL} = V_{IL \text{ max}}, I_{OL} = 4 \text{ mA}$	0.25	0.4		0.25	0.4		V
		$I_{OL} = 8 \text{ mA}$				0.35	0.5		
$I_I$	High-level input current at maximum input voltage	Enable	0.3			0.3			mA
		Others	0.1			0.1			
$I_{IH}$	High-level input current	Enable	60			60			$\mu A$
		Others	20			20			
$I_{IL}$	Low-level input current	Enable	-1.2			-1.2			mA
		Others	-0.4			-0.4			
$I_{OS}$	Short-circuit output current <sup>§</sup>	$V_{CC} = \text{MAX}$	-20	-100		-20	-100		mA
$I_{CC}$	Supply current	$V_{CC} = \text{MAX}$ , See Note 2	20 35		20 35				mA

<sup>†</sup>For conditions shown as MAX or MIN, use appropriate value specified under recommended operating conditions for the applicable device type.

<sup>‡</sup>All typical values are at  $V_{CC} = 5 \text{ V}, T_A = 25^{\circ}C$ .

<sup>§</sup>Not more than one output should be shorted at a time, and duration of the short-circuit should not exceed one second.

NOTES: 2.  $I_{CC}$  is measured with all inputs grounded and all outputs open.

3. Minimum count enable time is the interval immediately preceding the rising edge of the clock pulse during which interval the count enable input must be low to ensure counting.

# TYPES SN54LS190, SN54LS191, SN74LS190, SN74LS191

## SYNCHRONOUS UP/DOWN COUNTERS WITH DOWN/UP MODE CONTROL

REVISED OCTOBER 1976

switching characteristics,  $V_{CC} = 5\text{ V}$ ,  $T_A = 25^\circ\text{C}$

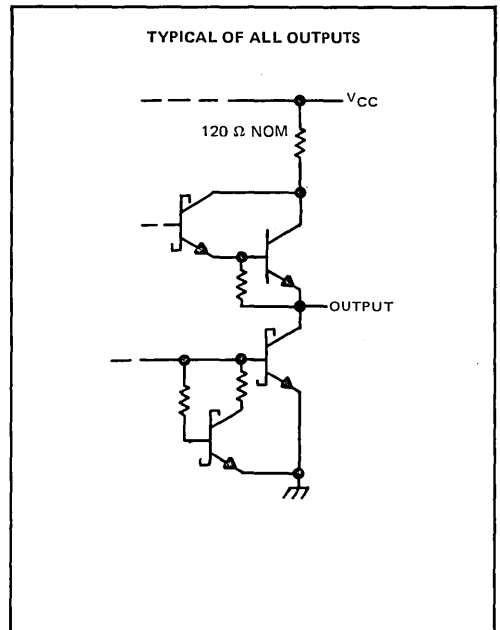
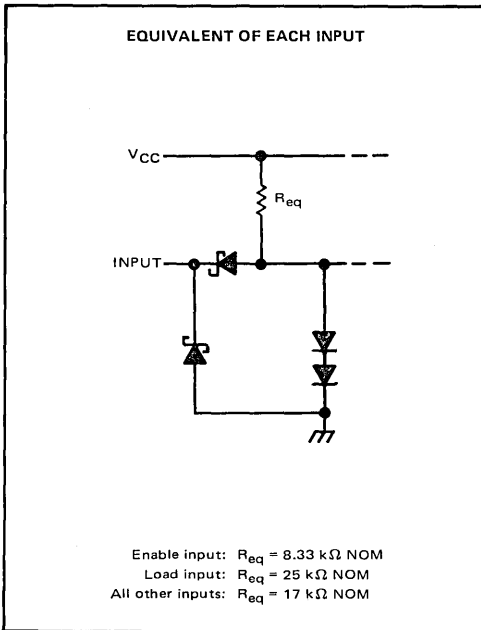
PARAMETER <sup>†</sup>	FROM (INPUT)	TO (OUTPUT)	TEST CONDITIONS	'LS190, 'LS191			UNIT
				MIN	TYP	MAX	
$f_{\max}$			$C_L = 15\text{ pF}$ , $R_L = 2\text{ k}\Omega$ , See Figures 1 and 3 thru 7	20	25		MHz
$t_{PLH}$	Load	$Q_A, Q_B, Q_C, Q_D$		22	33		ns
$t_{PHL}$				33	50		
$t_{PLH}$	Data A, B, C, D	$Q_A, Q_B, Q_C, Q_D$		20	32		ns
$t_{PHL}$				27	40		
$t_{PLH}$	Clock	Ripple Clock		13	20		ns
$t_{PHL}$				16	24		
$t_{PLH}$	Clock	$Q_A, Q_B, Q_C, Q_D$		16	24		ns
$t_{PHL}$				24	36		
$t_{PLH}$	Clock	Max/Min		28	42		ns
$t_{PHL}$				37	52		
$t_{PLH}$	Down/Up	Ripple Clock		30	45		ns
$t_{PHL}$				30	45		
$t_{PLH}$	Down/Up	Max/Min		21	33		ns
$t_{PHL}$				22	33		
$t_{PLH}$	Enable	Ripple Clock		21	33		ns
$t_{PHL}$			22	33			

<sup>†</sup> $f_{\max}$   $\equiv$  maximum clock frequency

$t_{PLH}$   $\equiv$  propagation delay time, low-to-high-level output

$t_{PHL}$   $\equiv$  propagation delay time, high-to-low-level output

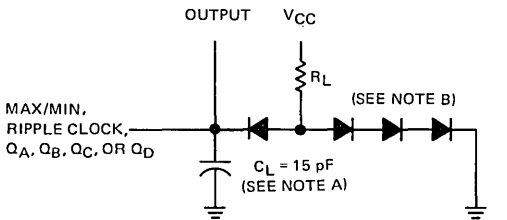
### schematics of inputs and outputs



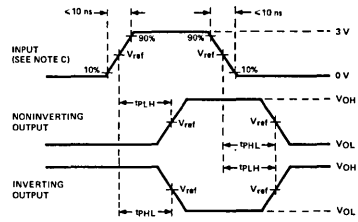


**TYPES SN54190, SN54191, SN54LS190, SN54LS191,  
SN74190, SN74191, SN74LS190, SN74LS191  
SYNCHRONOUS UP/DOWN COUNTERS WITH DOWN/UP MODE CONTROL**

**PARAMETER MEASUREMENT INFORMATION**

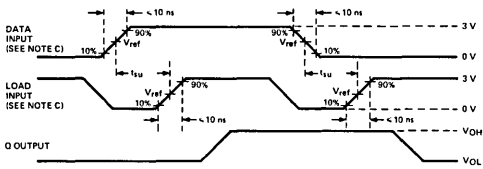


**FIGURE 1—LOAD CIRCUIT FOR SWITCHING TIME MEASUREMENT**



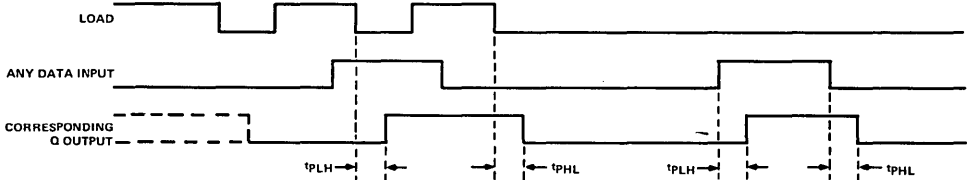
See waveform sequences in figures 4 through 7 for propagation times from a specific input to a specific output. For simplification, pulse rise times, reference levels, etc., have not been shown in figures 4 through 7.

**FIGURE 3—GENERAL VOLTAGE WAVEFORMS FOR PROPAGATION TIMES**

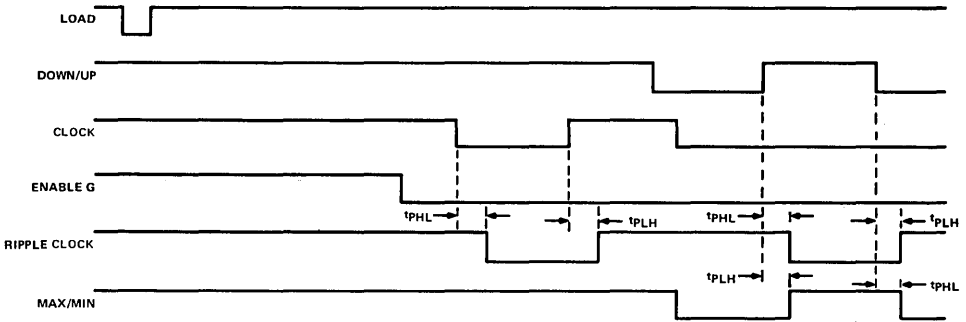


**FIGURE 2—DATA SETUP TIME VOLTAGE WAVEFORMS**

- NOTES:** A.  $C_L$  includes probe and jig capacitance.  
B. All diodes are 1N3064.  
C. The input pulses are supplied by generators having the following characteristics:  $Z_{out} = 50 \Omega$ , duty cycle  $\leq 50\%$ , PRR  $\leq 1$  MHz.  
D.  $V_{ref} = 1.5$  V for '190 and '191; 1.3 V for 'LS190 and 'LS191.



**NOTE E:** Conditions on other inputs are irrelevant.  
**FIGURE 4—LOAD TO OUTPUT AND DATA TO OUTPUT**

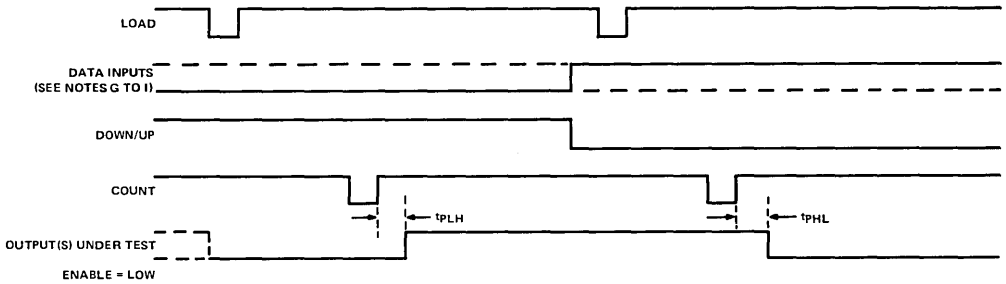


**NOTE F:** All data inputs are low.  
**FIGURE 5—ENABLE TO RIPPLE CLOCK, CLOCK TO RIPPLE CLOCK, DOWN/UP TO RIPPLE CLOCK, AND DOWN/UP TO MAX/MIN**

# TYPES SN54190, SN54191, SN54LS190, SN54LS191, SN74190, SN74191, SN74LS190, SN74LS191 SYNCHRONOUS UP/DOWN COUNTERS WITH DOWN/UP MODE CONTROL

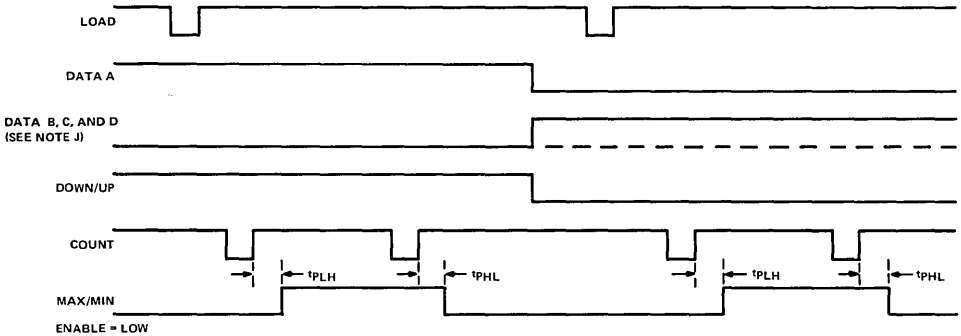
## PARAMETER MEASUREMENT INFORMATION

switching characteristics (continued)



- NOTES: G. to test  $Q_A$ ,  $Q_B$ , and  $Q_C$  outputs of '190 and 'LS190: Data inputs A, B, and C are shown by the solid line. Data input D is shown by the dashed line.  
 H. To test  $Q_D$  output of '190 and 'LS190: Data inputs A and D are shown by the solid line. Data inputs B and C are held at the low logic level.  
 I. To test  $Q_A$ ,  $Q_B$ ,  $Q_C$ , and  $Q_D$  outputs of '191 and 'LS191: All four data inputs are shown by the solid line.

FIGURE 6—CLOCK TO OUTPUT



- NOTE J: Data inputs B and C are shown by the dashed line for the '190 and 'LS190 and the solid line for the '191 and 'LS191: Data input D is shown by the solid line for both devices.

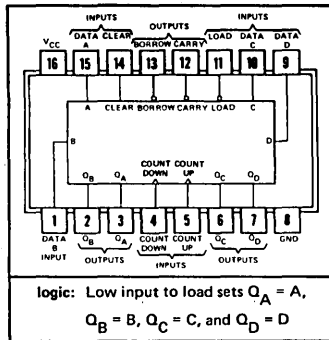
FIGURE 7—CLOCK TO MAX/MIN

# TYPES SN54192, SN54193, SN54L192, SN54L193, SN54LS192, SN54LS193 SN74192, SN74193, SN74L192, SN74L193, SN74LS192, SN74LS193 SYNCHRONOUS 4-BIT UP/DOWN COUNTERS (DUAL CLOCK WITH CLEAR)

BULLETIN NO. DL-S 771 1828, DECEMBER 1972—REVISED AUGUST 1977

- Cascading Circuitry Provided Internally
- Synchronous Operation
- Individual Preset to Each Flip-Flop
- Fully Independent Clear Input

SN54, 'SN54LS' ... J OR W PACKAGE  
SN54L' ... J PACKAGE  
SN74', SN74L', SN74LS' ... J OR N PACKAGE  
(TOP VIEW)



TYPES	TYPICAL MAXIMUM COUNT FREQUENCY	TYPICAL POWER DISSIPATION
'192, '193	32 MHz	325 mW
'L192, 'L193	7 MHz	43 mW
'LS192, 'LS193	32 MHz	95 mW

## description

These monolithic circuits are synchronous reversible (up/down) counters having a complexity of 55 equivalent gates. The '192, 'L192, and 'LS192 circuits are BCD counters and the '193, 'L193 and 'LS193 are 4-bit binary counters. Synchronous operation is provided by having all flip-flops clocked simultaneously so that the outputs change coincidentally with each other when so instructed by the steering logic. This mode of operation eliminates the output counting spikes which are normally associated with asynchronous (ripple-clock) counters.

The outputs of the four master-slave flip-flops are triggered by a low-to-high-level transition of either count (clock) input. The direction of counting is determined by which count input is pulsed while the other count input is high.

All four counters are fully programmable; that is, each output may be preset to either level by entering the desired data at the data inputs while the load input is low. The output will change to agree with the data inputs independently of the count pulses. This feature allows the counters to be used as modulo-N dividers by simply modifying the count length with the preset inputs.

A clear input has been provided which forces all outputs to the low level when a high level is applied. The clear function is independent of the count and load inputs. The clear, count, and load inputs are buffered to lower the drive requirements. This reduces the number of clock drivers, etc., required for long words.

These counters were designed to be cascaded without the need for external circuitry. Both borrow and carry outputs are available to cascade both the up- and down-counting functions. The borrow output produces a pulse equal in width to the count-down input when the counter underflows. Similarly, the carry output produces a pulse equal in width to the count-up input when an overflow condition exists. The counters can then be easily cascaded by feeding the borrow and carry outputs to the count-down and count-up inputs respectively of the succeeding counter.

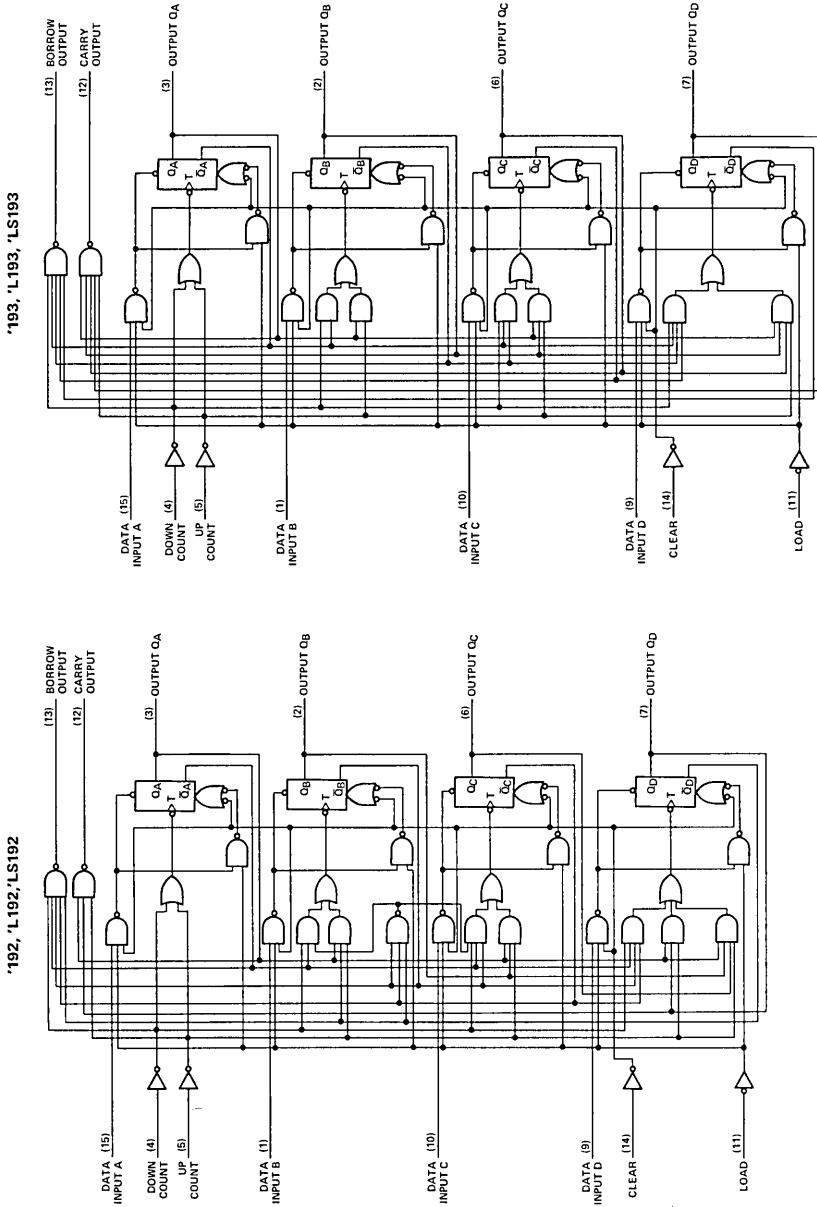
## absolute maximum ratings over operating free-air temperature range (unless otherwise noted)

	SN54'	SN54L'	SN54LS'	SN74'	SN74L'	SN74LS'	UNIT
Supply voltage, $V_{CC}$ (see Note 1)	7	8	7	7	8	7	V
Input voltage	5.5	5.5	7	5.5	5.5	7	V
Operating free-air temperature range	-55 to 125			0 to 70			°C
Storage temperature range	-65 to 150			-65 to 150			°C

NOTE 1: Voltage values are with respect to network ground terminal.

**TYPES SN54192, SN54193, SN54L192, SN54L193, SN54LS192, SN54LS193,  
SN74192, SN74193, SN74L192, SN74L193, SN74LS192, SN74LS193  
SYNCHRONOUS 4-BIT UP/DOWN COUNTERS (DUAL CLOCK WITH CLEAR)**

functional block diagrams

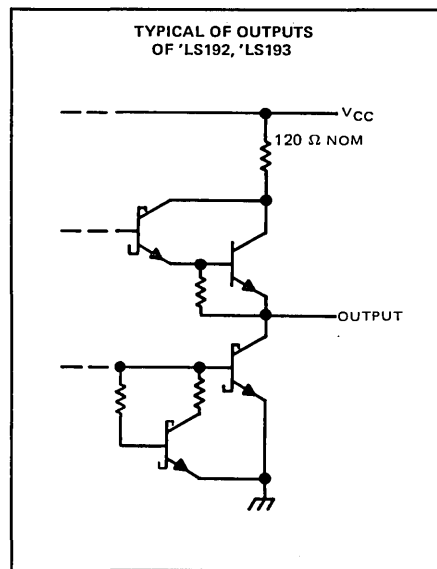
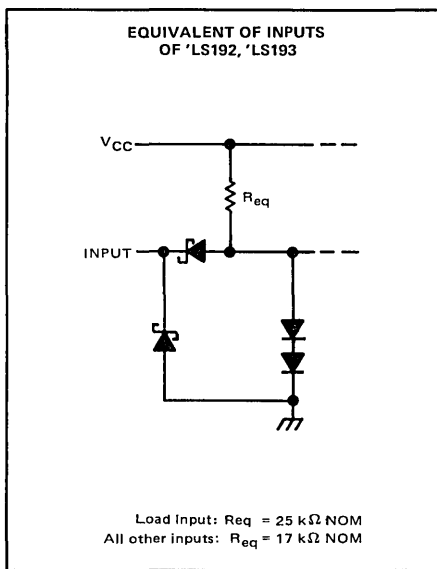
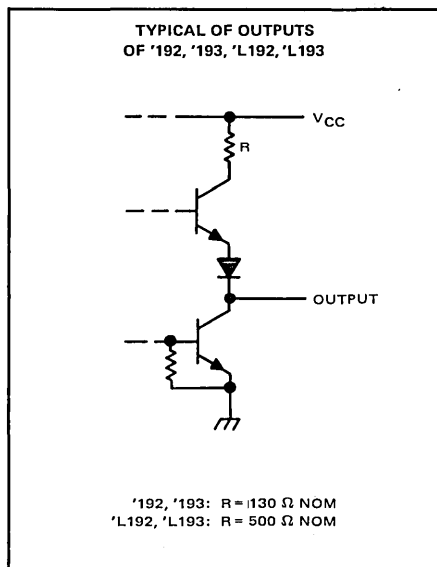
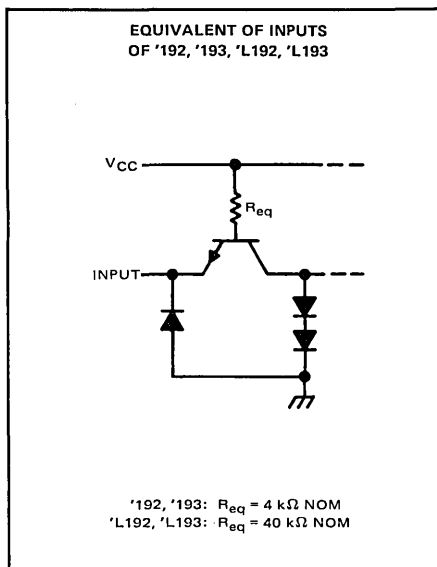


... Dynamic input activated by a transition from a high level to a low level.

**TYPES SN54192, SN54193, SN54L192, SN54L193, SN54LS192, SN54LS193,  
SN74192, SN74193, SN74L192, SN74L193, SN74LS192, SN74LS193  
SYNCHRONOUS 4-BIT UP/DOWN COUNTERS (DUAL CLOCK WITH CLEAR)**

REVISED OCTOBER 1976

schematics of inputs and outputs



7-

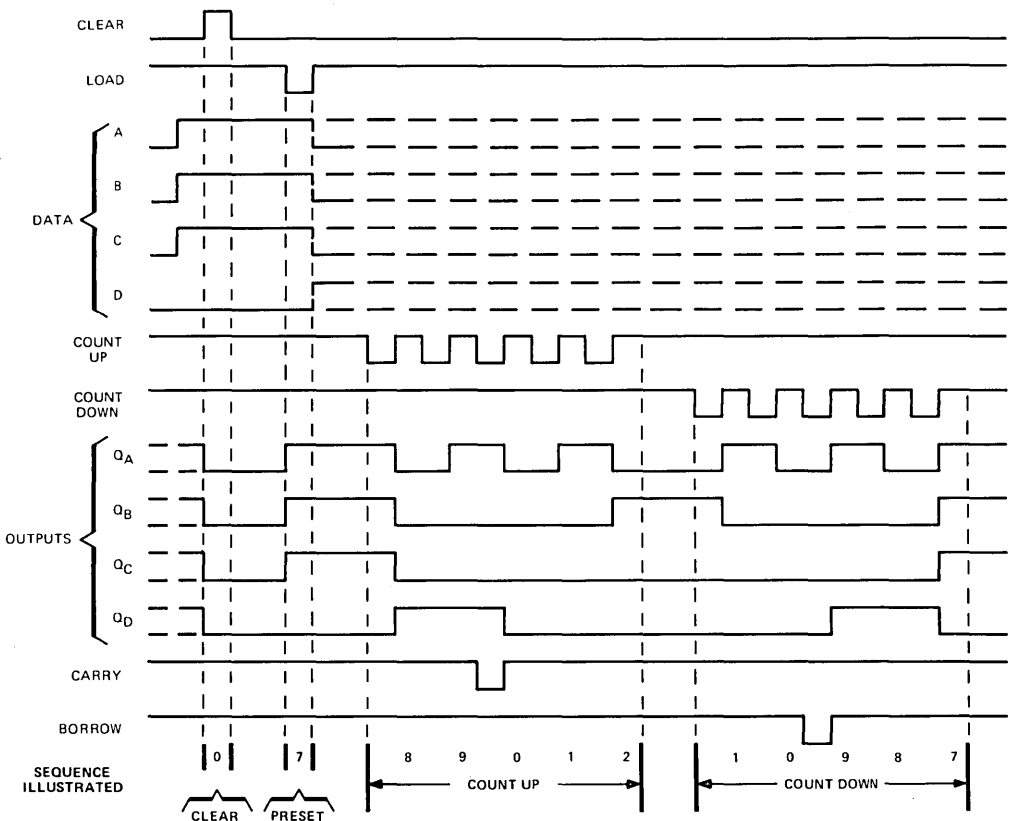
# TYPES SN54192, SN54L192, SN54LS192, SN74192, SN74L192, SN74LS192 SYNCHRONOUS 4-BIT UP/DOWN COUNTERS (DUAL CLOCK WITH CLEAR)

'192, 'L192, 'LS192 DECADE COUNTERS

## typical clear, load, and count sequences

Illustrated below is the following sequence:

1. Clear outputs to zero.
2. Load (preset) to BCD seven.
3. Count up to eight, nine, carry, zero, one, and two.
4. Count down to one, zero, borrow, nine, eight, and seven.



- NOTES: A. Clear overrides load, data, and count inputs.  
B. When counting up, count-down input must be high; when counting down, count-up input must be high.

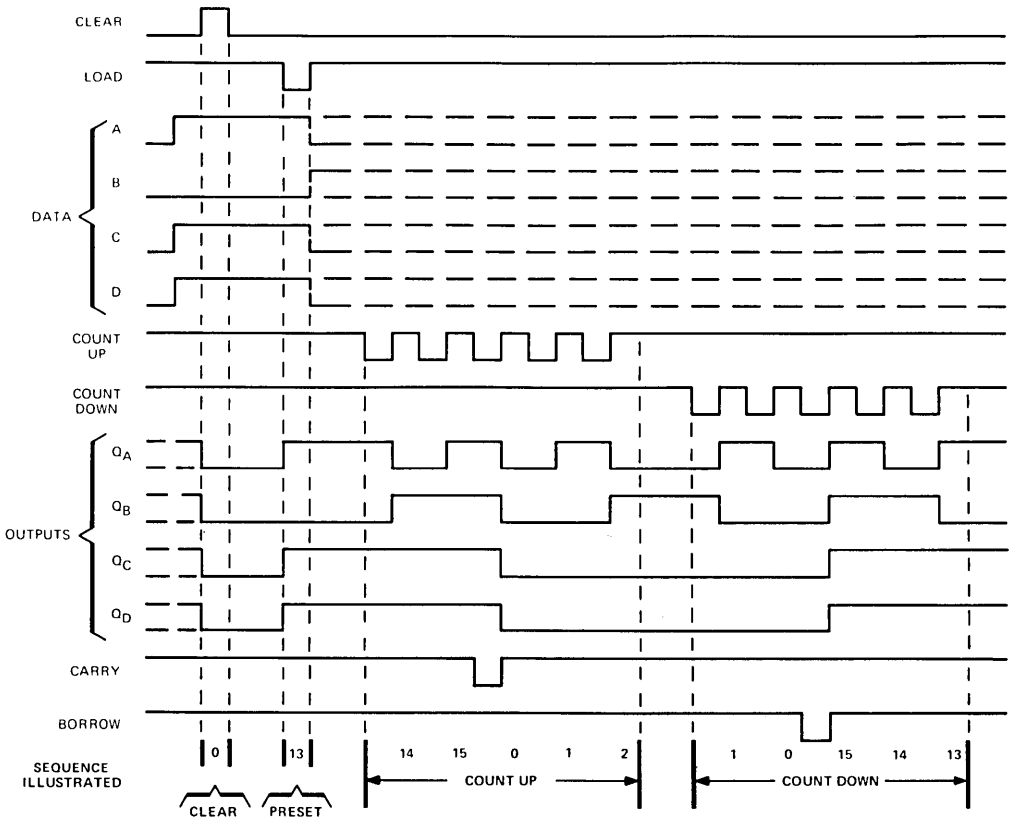
# TYPES SN54193, SN54L193, SN54LS193, SN74193, SN74L193, SN74LS193 SYNCHRONOUS 4-BIT UP/DOWN COUNTERS (DUAL CLOCK WITH CLEAR)

'193, 'L193, 'LS193 BINARY COUNTERS

## typical clear, load, and count sequences

Illustrated below is the following sequence:

1. Clear outputs to zero.
2. Load (preset) to binary thirteen.
3. Count up to fourteen, fifteen, carry, zero, one, and two.
4. Count down to one, zero, borrow, fifteen, fourteen, and thirteen.



NOTES: A. Clear overrides load, data, and count inputs.

B. When counting up, count-down input must be high; when counting down, count-up input must be high.

# TYPES SN54192, SN54193, SN74192, SN74193

## SYNCHRONOUS 4-BIT UP/DOWN COUNTERS (DUAL CLOCK WITH CLEAR)

### recommended operating conditions

	SN54192 SN54193			SN74192 SN74193			UNIT
	MIN	NOM	MAX	MIN	NOM	MAX	
Supply voltage, $V_{CC}$	4.5	5	5.5	4.75	5	5.25	V
High-level output current, $I_{OH}$	-400			-400			$\mu$ A
Low-level output current, $I_{OL}$	16			16			mA
Clock frequency, $f_{clock}$	0	25		0	25		MHz
Width of any input pulse, $t_w$	20			20			ns
Data setup time, $t_{su}$ (see Figure 1)	20			20			ns
Data hold time, $t_h$	0			0			ns
Operating free-air temperature, $T_A$	-55		125	0		70	$^{\circ}$ C

### electrical characteristics over recommended operating free-air temperature range (unless otherwise noted)

PARAMETER	TEST CONDITIONS <sup>†</sup>	SN54192 SN54193			SN74192 SN74193			UNIT
		MIN	TYP <sup>‡</sup>	MAX	MIN	TYP <sup>‡</sup>	MAX	
$V_{IH}$ High-level input voltage		2			2			V
$V_{IL}$ Low-level input voltage		0.8			0.8			V
$V_{IK}$ Input clamp voltage	$V_{CC} = \text{MIN}, I_I = -12 \text{ mA}$	-1.5			-1.5			V
$V_{OH}$ High-level output voltage	$V_{CC} = \text{MIN}, V_{IH} = 2 \text{ V}, V_{IL} = 0.8 \text{ V}, I_{OH} = -400 \mu\text{A}$	2.4	3.4		2.4	3.4		V
$V_{OL}$ Low-level output voltage	$V_{CC} = \text{MIN}, V_{IH} = 2 \text{ V}, V_{IL} = 0.8 \text{ V}, I_{OL} = 16 \text{ mA}$	0.2	0.4		0.2	0.4		V
$I_I$ Input current at maximum input voltage	$V_{CC} = \text{MAX}, V_I = 5.5 \text{ V}$	1			1			mA
$I_{IH}$ High-level input current	$V_{CC} = \text{MAX}, V_I = 2.4 \text{ V}$	40			40			$\mu$ A
$I_{IL}$ Low-level input current	$V_{CC} = \text{MAX}, V_I = 0.4 \text{ V}$	-1.6			-1.6			mA
$I_{OS}$ Short-circuit output current <sup>§</sup>	$V_{CC} = \text{MAX}$	-20	-65		-18	-65		mA
$I_{CC}$ Supply current	$V_{CC} = \text{MAX}$ , See Note 2	65	89		65	102		mA

<sup>†</sup>For conditions shown as MIN or MAX, use the appropriate value specified under recommended operating conditions for the applicable type.

<sup>‡</sup>All typical values are at  $V_{CC} = 5 \text{ V}, T_A = 25^{\circ}\text{C}$ .

<sup>§</sup>Not more than one output should be shorted at a time.

NOTE 2:  $I_{CC}$  is measured with all outputs open, clear and load inputs grounded, and all other inputs at 4.5 V.

### switching characteristics, $V_{CC} = 5 \text{ V}, T_A = 25^{\circ}\text{C}$

PARAMETER <sup>¶</sup>	FROM INPUT	TO OUTPUT	TEST CONDITIONS	MIN	TYP	MAX	UNIT
$f_{max}$			$C_L = 15 \text{ pF}, R_L = 400 \Omega,$ See Figures 1 and 2	25	32		MHz
$t_{PLH}$	Count-up	Carry		17	26		ns
$t_{PHL}$				16	24		
$t_{PLH}$	Count-down	Borrow		16	24		ns
$t_{PHL}$				16	24		
$t_{PLH}$	Either Count	Q		25	38		ns
$t_{PHL}$				31	47		
$t_{PLH}$	Load	Q		27	40		ns
$t_{PHL}$				29	40		
$t_{PHL}$	Clear	Q		22	35		ns

<sup>¶</sup> $f_{max}$   $\equiv$  maximum clock frequency

$t_{PLH}$   $\equiv$  propagation delay time, low-to-high-level output

$t_{PHL}$   $\equiv$  propagation delay time, high-to-low-level output



# TYPES SN54L192, SN54L193, SN74L192, SN74L193

## SYNCHRONOUS 4-BIT UP/DOWN COUNTERS (DUAL CLOCK WITH CLEAR)

### recommended operating conditions

	SN54L192 SN54L193			SN74L192 SN74L193			UNIT
	MIN	NOM	MAX	MIN	NOM	MAX	
Supply voltage, $V_{CC}$	4.5	5	5.5	4.75	5	5.25	V
High-level output current, $I_{OH}$	-100			-200			$\mu$ A
Low-level output current, $I_{OL}$	2			3.6			mA
Clock frequency, $f_{clock}$	0		3	0		3	MHz
Width of any input pulse, $t_w$	200			200			ns
Data setup time, $t_{su}$ (see Figure 1)	100			100			ns
Data hold time, $t_h$	0			0			ns
Operating free-air temperature range, $T_A$	-55			125			$^{\circ}$ C

### electrical characteristics over recommended operating free-air temperature range (unless otherwise noted)

PARAMETER	TEST CONDITIONS <sup>†</sup>	SN54L192 SN54L193			SN74L192 SN74L193			UNIT
		MIN	TYP <sup>‡</sup>	MAX	MIN	TYP <sup>‡</sup>	MAX	
$V_{IH}$ High-level input voltage		2			2			V
$V_{IL}$ Low-level input voltage		0.7			0.7			V
$V_{IK}$ Input clamp voltage	$V_{CC} = \text{MIN}, I_I = -12 \text{ mA}$	-1.5			-1.5			V
$V_{OH}$ High-level output voltage	$V_{CC} = \text{MIN}, V_{IH} = 2 \text{ V}, V_{IL} = 0.7 \text{ V}, I_{OH} = \text{MAX}$	2.4	3.3		2.4	3.2		V
$V_{OL}$ Low-level output voltage	$V_{CC} = \text{MIN}, V_{IH} = 2 \text{ V}, V_{IL} = 0.7 \text{ V}, I_{OL} = \text{MAX}$	0.15	0.3		0.2	0.4		V
$I_I$ Input current at maximum input voltage	$V_{CC} = \text{MAX}, V_I = 5.5 \text{ V}$	100			100			$\mu$ A
$I_{IH}$ High-level input current	$V_{CC} = \text{MAX}, V_I = 2.4 \text{ V}$	10			10			$\mu$ A
$I_{IL}$ Low-level input current	$V_{CC} = \text{MAX}, V_I = 0.3 \text{ V}$	-0.18			-0.18			mA
$I_{OS}$ Short-circuit output current <sup>§</sup>	$V_{CC} = \text{MAX}$	-3	-15		-3	-15		mA
$I_{CC}$ Supply current	$V_{CC} = \text{MAX}, \text{ See Note 2}$	8.5	15		8.5	15		mA

<sup>†</sup>For conditions shown as MIN or MAX, use the appropriate value specified under recommended operating conditions for the applicable type.

<sup>‡</sup>All typical values are at  $V_{CC} = 5 \text{ V}, T_A = 25^{\circ}\text{C}$ .

<sup>§</sup>Not more than one output should be shorted at a time.

NOTE 2:  $I_{CC}$  is measured with all outputs open, clear and load inputs grounded, and all other inputs at 4.5 V.

### switching characteristics, $V_{CC} = 5 \text{ V}, T_A = 25^{\circ}\text{C}$

PARAMETER <sup>¶</sup>	FROM INPUT	TO OUTPUT	TEST CONDITIONS	MIN	TYP	MAX	UNIT
$f_{max}$			$C_L = 50 \text{ pF},$ $R_L = 4 \text{ k}\Omega,$ See Figures 1 and 2	3	7		MHz
$t_{PLH}$	Count-up	Carry		65	130		ns
$t_{PHL}$				65	130		
$t_{PLH}$	Count-down	Borrow		65	130		ns
$t_{PHL}$				65	130		
$t_{PLH}$	Either Count	Q		104	200		ns
$t_{PHL}$				135	240		
$t_{PLH}$	Load	Q		130	240		ns
$t_{PHL}$				105	200		
$t_{PHL}$	Clear	Q		110	200		ns

<sup>¶</sup> $f_{max}$   $\equiv$  maximum clock frequency

$t_{PLH}$   $\equiv$  propagation delay time, low-to-high-level output

$t_{PHL}$   $\equiv$  propagation delay time, high-to-low-level output

# TYPES SN54LS192, SN54LS193, SN74LS192, SN74LS193

## SYNCHRONOUS 4-BIT UP/DOWN COUNTERS (DUAL CLOCK WITH CLEAR)

REVISED DECEMBER 1980

### recommended operating conditions

	SN54LS192 SN54LS193			SN74LS192 SN74LS193			UNIT
	MIN	NOM	MAX	MIN	NOM	MAX	
Supply voltage, $V_{CC}$	4.5	5	5.5	4.75	5	5.25	V
High-level output current, $I_{OH}$			-400			-400	$\mu$ A
Low-level output current, $I_{OL}$			4			8	mA
Clock frequency, $f_{clock}$	0		25	0		25	MHz
Width of any input pulse, $t_w$	20			20			ns
Clear inactive-state setup time	40			40			ns
Data setup time, $t_{su}$ (see Figure 1)	20			20			ns
Data hold time, $t_h$	5			5			ns
Operating free-air temperature range, $T_A$	-55		125	0		70	$^{\circ}$ C

### electrical characteristics over recommended operating free-air temperature range (unless otherwise noted)

PARAMETER	TEST CONDITIONS†	SN54LS192 SN54LS193			SN74LS192 SN74LS193			UNIT
		MIN	TYP‡	MAX	MIN	TYP‡	MAX	
$V_{IH}$ High-level input voltage		2			2			V
$V_{IL}$ Low-level input voltage				0.7			0.8	V
$V_{IK}$ Input clamp voltage	$V_{CC} = \text{MIN}, I_I = -18 \text{ mA}$			-1.5			-1.5	V
$V_{OH}$ High-level output voltage	$V_{CC} = \text{MIN}, V_{IH} = 2 \text{ V}, V_{IL} = V_{IL \text{ max}}, I_{OH} = -400 \mu\text{A}$	2.5	3.4		2.7	3.4		V
$V_{OL}$ Low-level output voltage	$V_{CC} = \text{MIN}, V_{IH} = 2 \text{ V}, V_{IL} = V_{IL \text{ max}}$		0.25	0.4		0.15	0.4	V
$I_I$ Input current at maximum input voltage	$V_{CC} = \text{MAX}, V_I = 7 \text{ V}$			0.1			0.1	mA
$I_{IH}$ High-level input current	$V_{CC} = \text{MAX}, V_I = 2.7 \text{ V}$			20			20	$\mu$ A
$I_{IL}$ Low-level input current	$V_{CC} = \text{MAX}, V_I = 0.4 \text{ V}$			-0.4			-0.4	mA
$I_{OS}$ Short-circuit output current§	$V_{CC} = \text{MAX}$			-20			-100	mA
$I_{CC}$ Supply current	$V_{CC} = \text{MAX},$ See Note 2			19			34	mA

† For conditions shown as MIN or MAX, use the appropriate value specified under recommended operating conditions for the applicable type.

‡ All typical values are at  $V_{CC} = 5 \text{ V}, T_A = 25^{\circ}\text{C}$ .

§ Not more than one output should be shorted at a time, and duration of the short-circuit should not exceed one second.

NOTE 2:  $I_{CC}$  is measured with all outputs open, clear and load inputs grounded, and all other inputs at 4.5 V.

### switching characteristics, $V_{CC} = 5 \text{ V}, T_A = 25^{\circ}\text{C}$

PARAMETER¶	FROM INPUT	TO OUTPUT	TEST CONDITIONS	MIN	TYP	MAX	UNIT
$f_{\text{max}}$				25	32		MHz
$t_{PLH}$	Count-up	Carry	$C_L = 15 \text{ pF}, R_L = 2 \text{ k}\Omega,$ See Figures 1 and 2		17	26	ns
$t_{PHL}$					18	24	
$t_{PLH}$	Count-down	Borrow			16	24	ns
$t_{PHL}$					15	24	
$t_{PLH}$	Either Count	Q			27	38	ns
$t_{PHL}$					30	47	
$t_{PLH}$	Load	Q			24	40	ns
$t_{PHL}$					25	40	
$t_{PHL}$	Clear	Q			23	35	ns

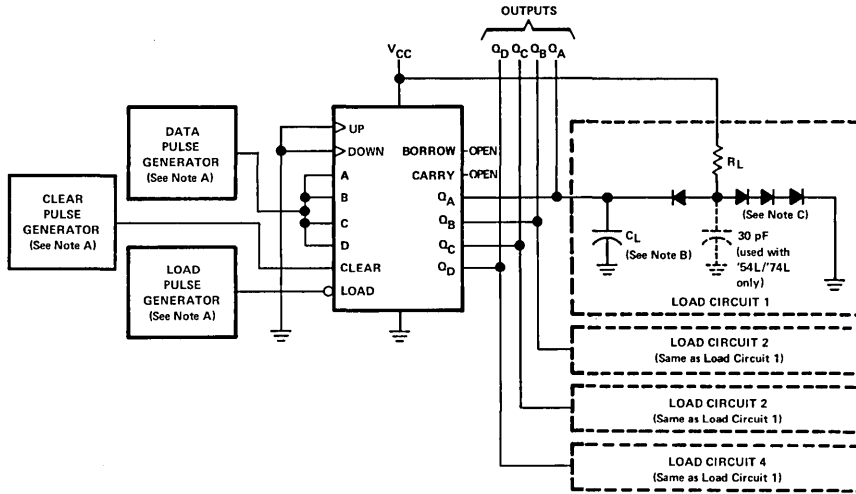
¶  $f_{\text{max}}$  = maximum clock frequency

$t_{PLH}$  = propagation delay time, low-to-high-level output

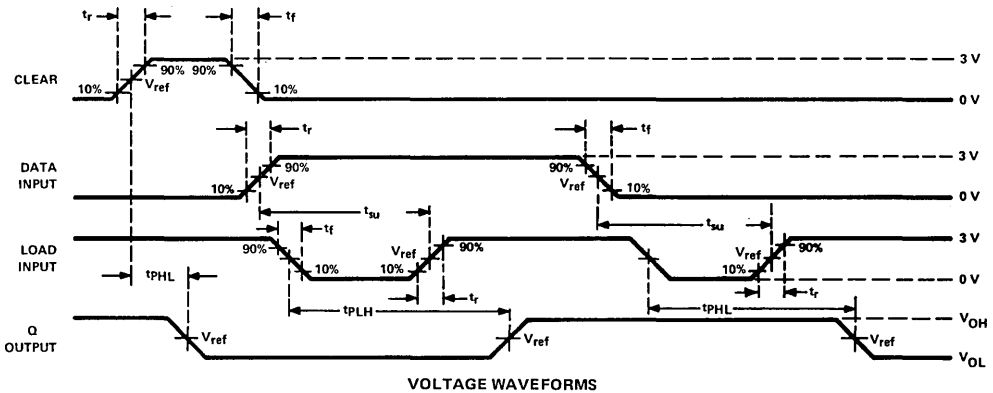
$t_{PHL}$  = propagation delay time, high-to-low-level output

**TYPES SN54192, SN54193, SN54L192, SN54L193, SN54LS192, SN54LS193, SN74192, SN74193, SN74L192, SN74L193, SN74LS192, SN74LS193**  
**SYNCHRONOUS 4-BIT UP/DOWN COUNTERS (DUAL CLOCK WITH CLEAR)**

**PARAMETER MEASUREMENT INFORMATION**



**TEST CIRCUIT**

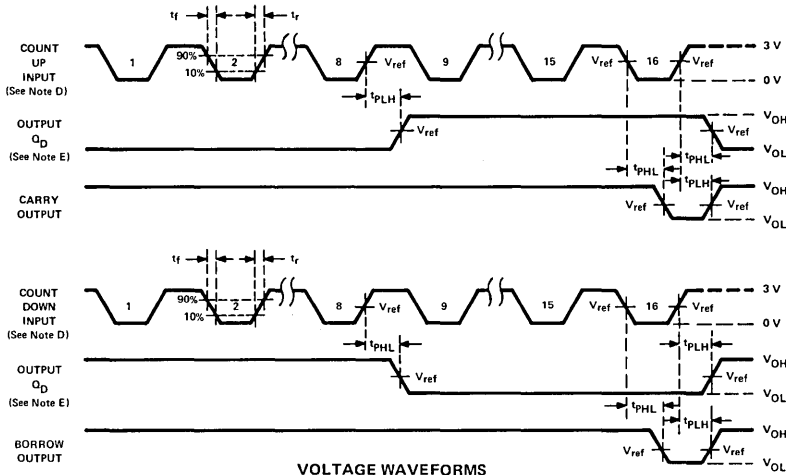
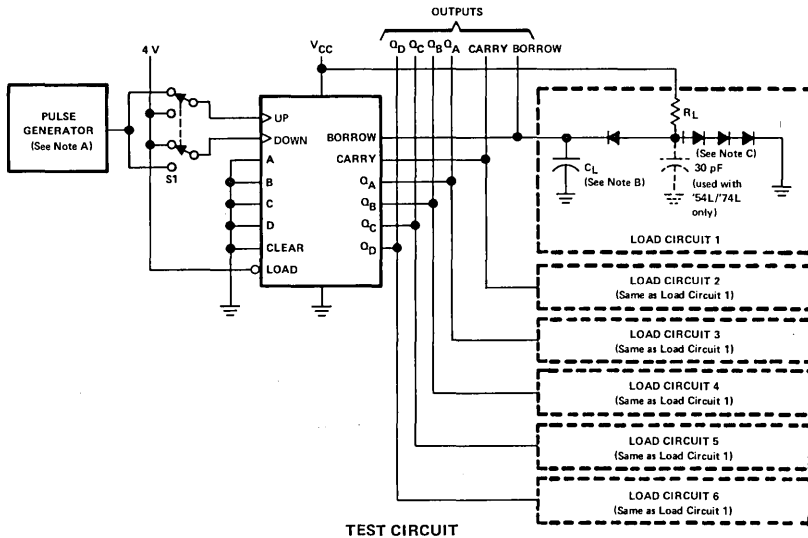


- NOTES:**
- A. The pulse generators have the following characteristics:  $Z_{out} \approx 50 \Omega$  and for the data pulse generator PRR  $\leq 500$  kHz, duty cycle = 50%; for the load pulse generator PRR is two times data PRR, duty cycle = 50%.
  - B.  $C_L$  includes probe and jig capacitance.
  - C. Diodes are 1N3064 for '192, '193, 'LS192, and 'LS193; 1N916 for 'L192 and 'L193.
  - D.  $t_r$  and  $t_f \leq 7$  ns for '192, '193, 'LS192, and 'LS193;  $\leq 25$  ns for 'L192 and 'L193.
  - E.  $V_{ref}$  is 1.5 volts for '192 and '193; 1.3 volts for 'L192, 'L193; 'LS192, and 'LS193.

**FIGURE 1—CLEAR, SETUP, AND LOAD TIMES**

# TYPES SN54192, SN54193, SN54L192, SN54L193, SN54LS192, SN54LS193, SN74192, SN74193, SN74L192, SN74L193, SN74LS192, SN74LS193 SYNCHRONOUS 4-BIT UP/DOWN COUNTERS (DUAL CLOCK WITH CLEAR)

## PARAMETER MEASUREMENT INFORMATION



- NOTES:
- A. The pulse generator has the following characteristics:  $PRR \leq 1$  MHz,  $Z_{out} \approx 50 \Omega$ , duty cycle = 50%.
  - B.  $C_L$  includes probe and jig capacitance.
  - C. Diodes are 1N3064 for '192, '193, 'LS192, and 'LS193; 1N916 for 'L192 and 'L193.
  - D. Count-up and count-down pulse shown are for the '193, 'L193, and 'LS193 binary counters. Count cycle for '192, 'L192, and 'LS192 decade counters is 1 through 10.
  - E. Waveforms for outputs  $Q_A$ ,  $Q_B$ , and  $Q_C$  are omitted to simplify the drawing.
  - F.  $t_r$  and  $t_f \leq 7$  ns for '192, '193, 'LS192, and 'LS193;  $\leq 25$  ns for 'L192 and 'L193.
  - G.  $V_{ref}$  is 1.5 volts for '192 and '193; 1.3 volts for 'L192, 'L193, 'LS192, and 'LS193.

FIGURE 2—PROPAGATION DELAY TIMES

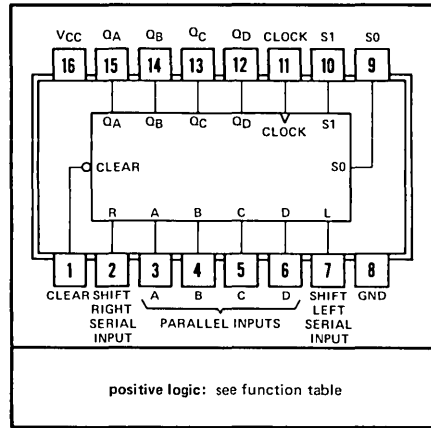
TTL  
MSI

# TYPES SN54194, SN54LS194A, SN54S194, SN74194, SN74LS194A, SN74S194 4-BIT BIDIRECTIONAL UNIVERSAL SHIFT REGISTERS

BULLETIN NO. DL-S 7611866, MARCH 1974—REVISED OCTOBER 1976

- Parallel Inputs and Outputs
- Four Operating Modes:  
Synchronous Parallel Load  
Right Shift  
Left Shift  
Do Nothing
- Positive Edge-Triggered Clocking
- Direct Overriding Clear

SN54194, SN54LS194A, SN54S194 ... J OR W PACKAGE  
SN74194, SN74LS194A, SN74S194 ... J OR N PACKAGE  
(TOP VIEW)



positive logic: see function table

### description

These bidirectional shift registers are designed to incorporate virtually all of the features a system designer may want in a shift register. The circuit contains 46 equivalent gates and features parallel inputs, parallel outputs, right-shift and left-shift serial inputs, operating-mode-control inputs, and a direct overriding clear line. The register has four distinct modes of operation, namely:

- Parallel (broadside) load
- Shift right (in the direction  $Q_A$  toward  $Q_D$ )
- Shift left (in the direction  $Q_D$  toward  $Q_A$ )
- Inhibit clock (do nothing)

Synchronous parallel loading is accomplished by applying the four bits of data and taking both mode control inputs, S0 and S1, high. The data are loaded into the associated flip-flops and appear at the outputs after the positive transition of the clock input. During loading, serial data flow is inhibited.

Shift right is accomplished synchronously with the rising edge of the clock pulse when S0 is high and S1 is low. Serial data for this mode is entered at the shift-right data input. When S0 is low and S1 is high, data shifts left synchronously and new data is entered at the shift-left serial input.

Clocking of the flip-flop is inhibited when both mode control inputs are low. The mode controls of the SN54194/SN74194 should be changed only while the clock input is high.

FUNCTION TABLE

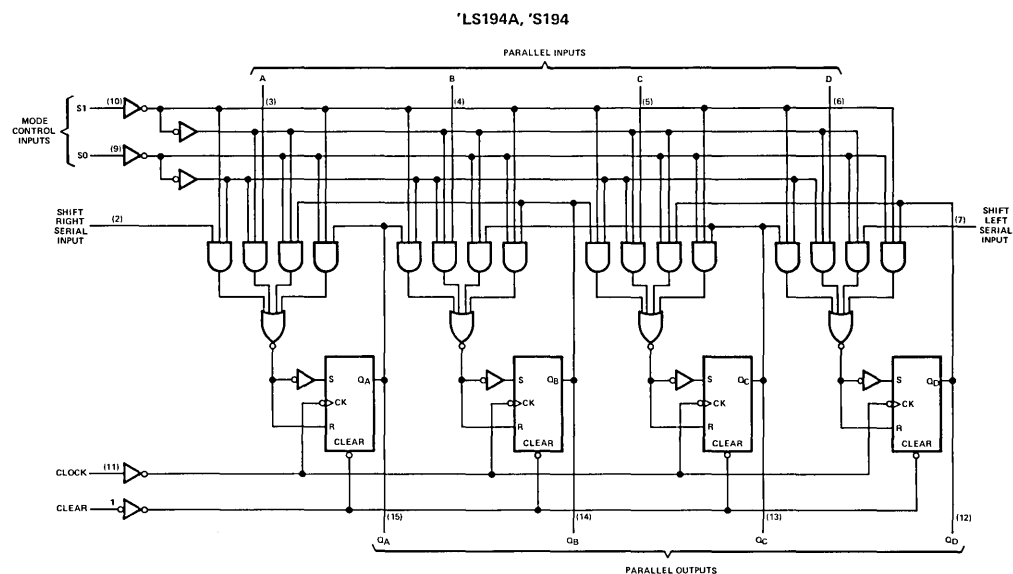
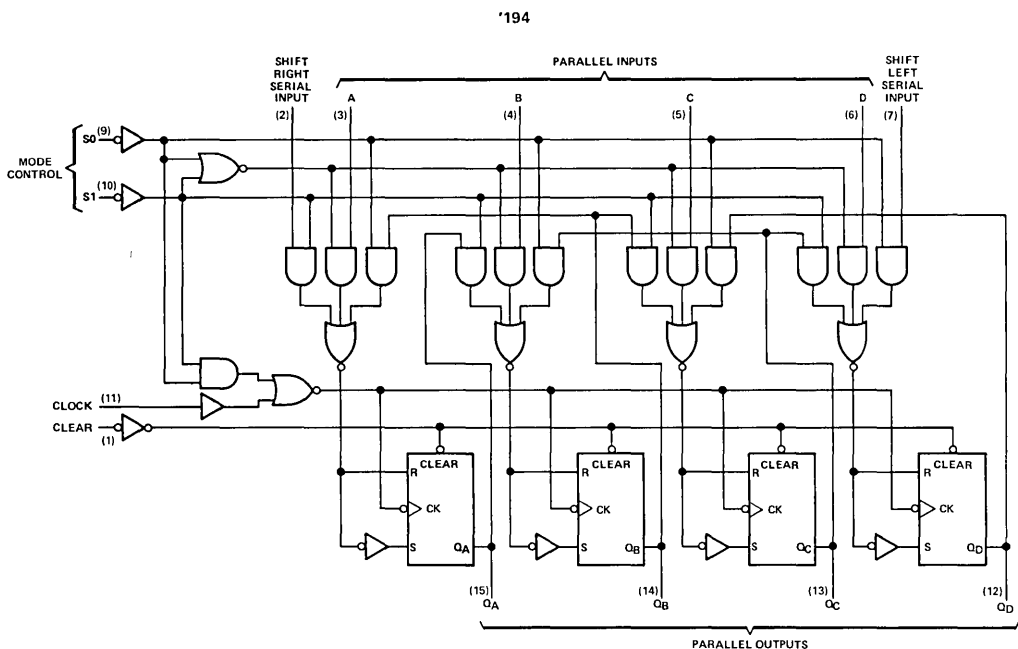
CLEAR	MODE		CLOCK	INPUTS				OUTPUTS					
	S1	S0		SERIAL		PARALLEL		QA	QB	QC	QD		
				LEFT	RIGHT	A	B	C	D				
L	X	X	X	X	X	X	X	X	X	L	L	L	L
H	X	X	L	X	X	X	X	X	X	$Q_{A0}$	$Q_{B0}$	$Q_{C0}$	$Q_{D0}$
H	H	H	↑	X	X	a	b	c	d	a	b	c	d
H	L	H	↑	X	H	X	X	X	X	H	$Q_{An}$	$Q_{Bn}$	$Q_{Cn}$
H	L	H	↑	X	L	X	X	X	X	L	$Q_{An}$	$Q_{Bn}$	$Q_{Cn}$
H	H	L	↑	H	X	X	X	X	X	$Q_{Bn}$	$Q_{Cn}$	$Q_{Dn}$	H
H	H	L	↑	L	X	X	X	X	X	$Q_{Bn}$	$Q_{Cn}$	$Q_{Dn}$	L
H	L	L	X	X	X	X	X	X	X	$Q_{A0}$	$Q_{B0}$	$Q_{C0}$	$Q_{D0}$

H = high level (steady state)  
L = low level (steady state)  
X = irrelevant (any input, including transitions)  
↑ = transition from low to high level  
a, b, c, d = the level of steady-state input at inputs A, B, C, or D, respectively.  
 $Q_{A0}, Q_{B0}, Q_{C0}, Q_{D0}$  = the level of  $Q_A, Q_B, Q_C, Q_D$ , respectively, before the indicated steady-state input conditions were established.  
 $Q_{An}, Q_{Bn}, Q_{Cn}, Q_{Dn}$  = the level of  $Q_A, Q_B, Q_C$ , respectively, before the most-recent ↑ transition of the clock.

# TYPES SN54194, SN54LS194A, SN54S194, SN74194, SN74LS194A, SN74S194

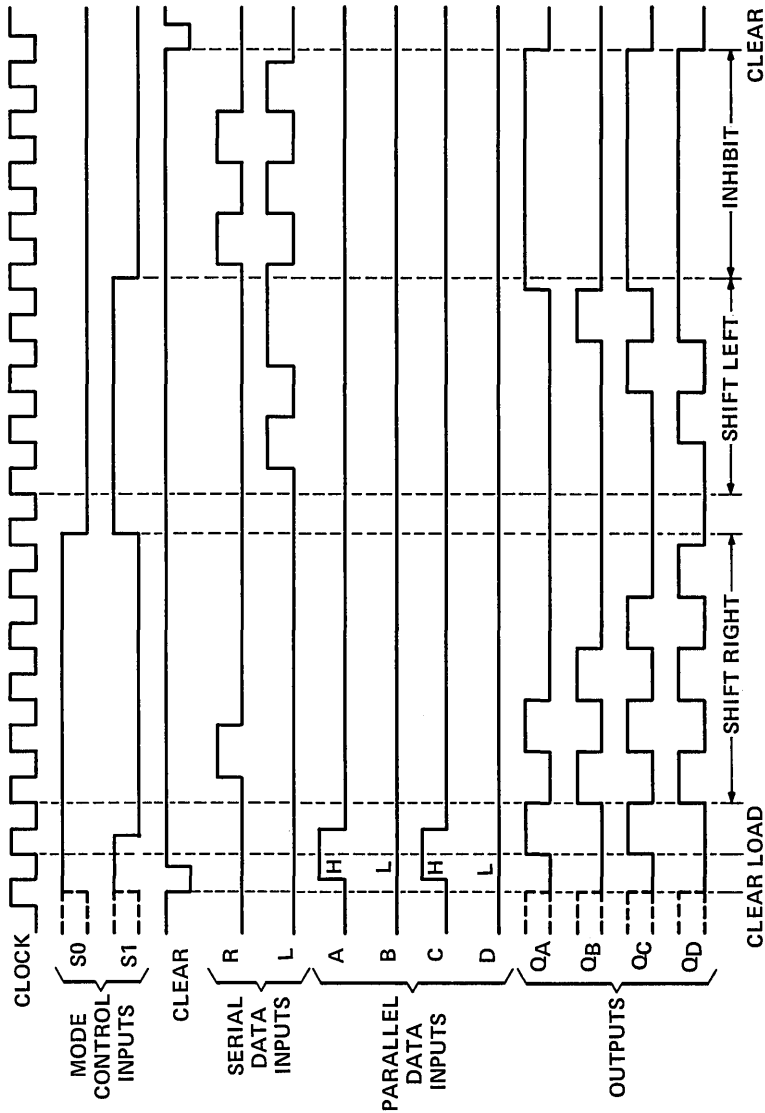
## 4-BIT BIDIRECTIONAL UNIVERSAL SHIFT REGISTERS

functional block diagrams



**TYPES SN54194, SN54LS194A, SN54S194,  
SN74194, SN74LS194A, SN74S194  
4-BIT BIDIRECTIONAL UNIVERSAL SHIFT REGISTERS**

typical clear, load, right-shift, left-shift, inhibit, and clear sequences

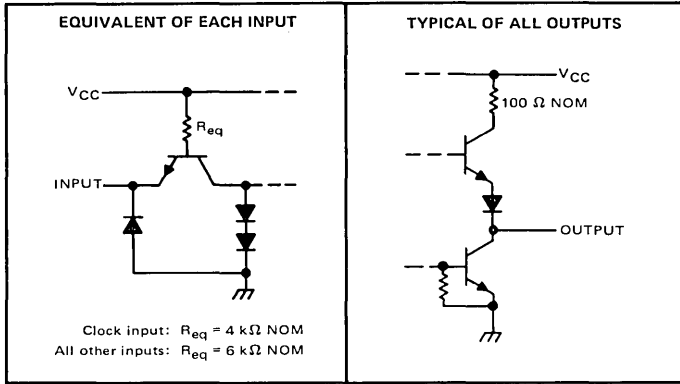


7

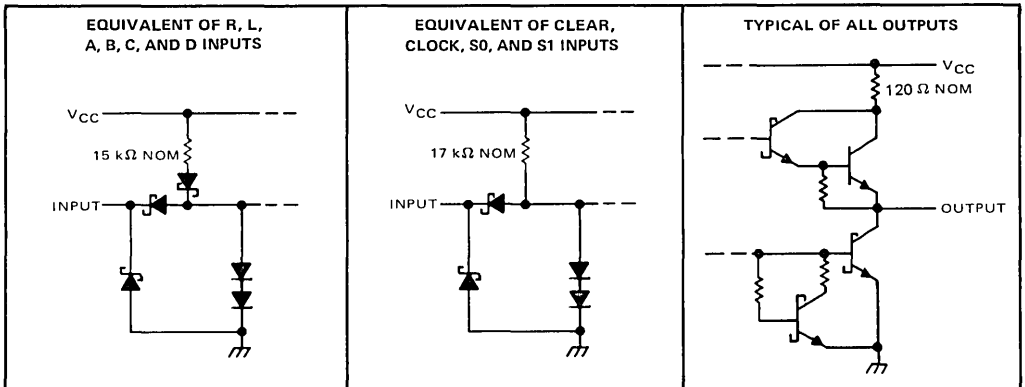
**TYPES SN54194, SN54LS194A, SN54S194,  
SN74194, SN74LS194A, SN74S194**  
**4-BIT BIDIRECTIONAL UNIVERSAL SHIFT REGISTERS**  
REVISED OCTOBER 1976

schematics of inputs and outputs

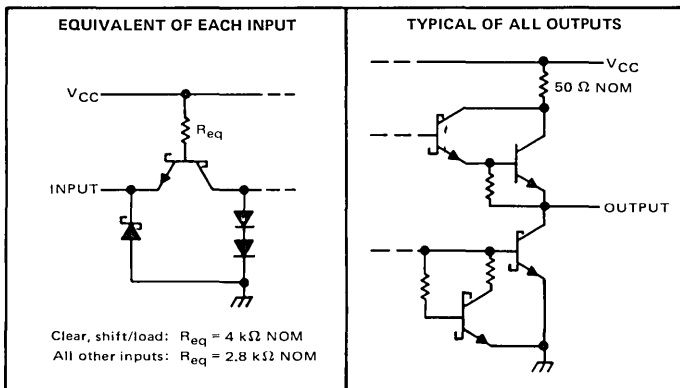
'194



'LS194A



'S194





# TYPES SN54194, SN74194

## 4-BIT BIDIRECTIONAL UNIVERSAL SHIFT REGISTERS

REVISED MARCH 1974

### absolute maximum ratings over operating free-air temperature range (unless otherwise noted)

Supply voltage, $V_{CC}$ (see Note 1)	7 V
Input voltage	5.5 V
Operating free-air temperature range: SN54194	-55°C to 125°C
SN74194	0°C to 70°C
Storage temperature range	-65°C to 150°C

NOTE 1: Voltage values are with respect to network ground terminal.

### recommended operating conditions

	SN54194			SN74194			UNIT
	MIN	NOM	MAX	MIN	NOM	MAX	
Supply voltage, $V_{CC}$	4.5	5	5.5	4.75	5	5.25	V
High-level output current, $I_{OH}$			-800			-800	$\mu$ A
Low-level output current, $I_{OL}$			16			16	mA
Clock frequency, $f_{clock}$	0		25	0		25	MHz
Width of clock or clear pulse, $t_W$	20			20			ns
Setup time, $t_{SU}$	Mode control	30		30			ns
	Serial and parallel data	20		20			ns
	Clear inactive-state	25		25			ns
Hold time at any input, $t_H$	0			0			ns
Operating free-air temperature, $T_A$	-55		125	0		70	°C

### electrical characteristics over recommended operating free-air temperature range (unless otherwise noted)

PARAMETER	TEST CONDITIONS†	SN54194			SN74194			UNIT
		MIN	TYP‡	MAX	MIN	TYP‡	MAX	
$V_{IH}$ High-level input voltage		2			2			V
$V_{IL}$ Low-level input voltage				0.8			0.8	V
$V_{IK}$ Input clamp voltage	$V_{CC} = \text{MIN}, I_I = -12 \text{ mA}$			-1.5			-1.5	V
$V_{OH}$ High-level output voltage	$V_{CC} = \text{MIN}, V_{IH} = 2 \text{ V}, V_{IL} = 0.8 \text{ V}, I_{OH} = -800 \mu\text{A}$	2.4	3.4		2.4	3.4		V
$V_{OL}$ Low-level output voltage	$V_{CC} = \text{MIN}, V_{IH} = 2 \text{ V}, V_{IL} = 0.8 \text{ V}, I_{OL} = 16 \text{ mA}$		0.2	0.4		0.2	0.4	V
$I_I$ Input current at maximum input voltage	$V_{CC} = \text{MAX}, V_I = 5.5 \text{ V}$			1			1	mA
$I_{IH}$ High-level input current	$V_{CC} = \text{MAX}, V_I = 2.4 \text{ V}$			40			40	$\mu$ A
$I_{IL}$ Low-level input current	$V_{CC} = \text{MAX}, V_I = 0.4 \text{ V}$			-1.6			-1.6	mA
$I_{OS}$ Short-circuit output current§	$V_{CC} = \text{MAX}$	-20		-57	-18		-57	mA
$I_{CC}$ Supply current	$V_{CC} = \text{MAX}, \text{ See Note 2}$		39	63		39	63	mA

† For conditions shown as MIN or MAX, use the appropriate value specified under recommended operating conditions.

‡ All typical values are at  $V_{CC} = 5 \text{ V}, T_A = 25^\circ\text{C}$ .

§ Not more than one output should be shorted at a time.

NOTE 2: With all outputs open, inputs A through D grounded, and 4.5 V applied to S0, S1, clear, and the serial inputs,  $I_{CC}$  is tested with a momentary GND, then 4.5 V applied to clock.

### switching characteristics, $V_{CC} = 5 \text{ V}, T_A = 25^\circ\text{C}$

PARAMETER	TEST CONDITIONS	MIN	TYP	MAX	UNIT
$f_{max}$ Maximum clock frequency		25	36		MHz
$t_{PHL}$ Propagation delay time, high-to-low-level output from clear	$C_L = 15 \text{ pF}, R_L = 400 \Omega,$		19	30	ns
$t_{PLH}$ Propagation delay time, low-to-high-level output from clock	See Figure 1		14	22	ns
$t_{PHL}$ Propagation delay time, high-to-low-level output from clock			17	26	ns

# TYPES SN54LS194A, SN74LS194A

## 4-BIT BIDIRECTIONAL UNIVERSAL SHIFT REGISTERS

REVISED OCTOBER 1976

absolute maximum ratings over operating free-air temperature range (unless otherwise noted)

Supply voltage, $V_{CC}$ (see Note 1)	7 V
Input voltage	7 V
Operating free-air temperature range: SN54LS194A	-55°C to 125°C
SN74LS194A	0°C to 70°C
Storage temperature range	-65°C to 150°C

NOTE 1: Voltage values are with respect to network ground terminal.

recommended operating conditions

	SN54LS194A			SN74LS194A			UNIT
	MIN	NOM	MAX	MIN	NOM	MAX	
Supply voltage, $V_{CC}$	4.5	5	5.5	4.75	5	5.25	V
High-level output current, $I_{OH}$			-400			-400	$\mu$ A
Low-level output current, $I_{OL}$			4			8	mA
Clock frequency, $f_{clock}$	0		25	0		25	MHz
Width of clock or clear pulse, $t_w$			20			20	ns
Setup time, $t_{su}$	Mode control			30			ns
	Serial and parallel data			20			ns
	Clear inactive-state			25			ns
Hold time at any input, $t_h$			0			0	ns
Operating free-air temperature, $T_A$	-55		125	0		70	°C

electrical characteristics over recommended operating free-air temperature range (unless otherwise noted)

PARAMETER	TEST CONDITIONS†	SN54LS194A			SN74LS194A			UNIT
		MIN	TYP‡	MAX	MIN	TYP‡	MAX	
$V_{IH}$ High-level input voltage		2			2			V
$V_{IL}$ Low-level input voltage					0.7			V
$V_{IK}$ Input clamp voltage	$V_{CC} = \text{MIN}, I_I = -18 \text{ mA}$				-1.5			V
$V_{OH}$ High-level output voltage	$V_{CC} = \text{MIN}, V_{IH} = 2 \text{ V}, V_{IL} = V_{IL \text{ max}}, I_{OH} = -400 \mu\text{A}$	2.5	3.5		2.7	3.5		V
$V_{OL}$ Low-level output voltage	$V_{CC} = \text{MIN}, V_{IH} = 2 \text{ V}, V_{IL} = V_{IL \text{ max}}$				0.25 0.4			V
					0.25 0.4			
					0.35 0.5			
$I_I$ Input current at maximum input voltage	$V_{CC} = \text{MAX}, V_I = 7 \text{ V}$				0.1			mA
$I_{IH}$ High-level input current	$V_{CC} = \text{MAX}, V_I = 2.7 \text{ V}$				20			$\mu$ A
$I_{IL}$ Low-level input current	$V_{CC} = \text{MAX}, V_I = 0.4 \text{ V}$				-0.4			mA
$I_{OS}$ Short-circuit output current §	$V_{CC} = \text{MAX}$	-20		-100	-20		-100	mA
$I_{CC}$ Supply current	$V_{CC} = \text{MAX},$ See Note 2				15	23	15 23	mA

† For conditions shown as MIN or MAX, use the appropriate value specified under recommended operating conditions.

‡ All typical values are at  $V_{CC} = 5 \text{ V}, T_A = 25^\circ\text{C}$ .

§ Not more than one output should be shorted at a time, and duration of the short-circuit should not exceed one second.

NOTE 2: With all outputs open, inputs A through D grounded, and 4.5 V applied to S0, S1, clear, and the serial inputs,  $I_{CC}$  is tested with a momentary GND, then 4.5 V, applied to clock.

switching characteristics,  $V_{CC} = 5 \text{ V}, T_A = 25^\circ\text{C}$

PARAMETER	TEST CONDITIONS	MIN	TYP	MAX	UNIT
$f_{max}$ Maximum clock frequency		25	36		MHz
$t_{PHL}$ Propagation delay time, high-to-low-level output from clear	$C_L = 15 \text{ pF},$ $R_L = 2 \text{ k}\Omega,$ See Figure 1		19	30	ns
$t_{PLH}$ Propagation delay time, low-to-high-level output from clock			14	22	ns
$t_{PHL}$ Propagation delay time, high-to-low-level output from clock			17	26	ns

# TYPES SN54S194, SN74S194

## 4-BIT BIDIRECTIONAL UNIVERSAL SHIFT REGISTERS

REVISED DECEMBER 1980

absolute maximum ratings over operating free-air temperature range (unless otherwise noted)

Supply voltage, $V_{CC}$ (see Note 1)	7 V
Input voltage	5.5 V
Operating free-air temperature range: SN54S194	-55°C to 125°C
SN74S194	0°C to 70°C
Storage temperature range	-65°C to 150°C

NOTE 1: Voltage values are with respect to network ground terminal.

recommended operating conditions

	SN54S194			SN74S194			UNIT
	MIN	NOM	MAX	MIN	NOM	MAX	
Supply voltage, $V_{CC}$	4.5	5	5.5	4.75	5	5.25	V
High-level output current, $I_{OH}$			-1			-1	mA
Low-level output current, $I_{OL}$			20			20	mA
Clock frequency, $f_{clock}$	0		70	0		70	MHz
Width of clock pulse, $t_w(\text{clock})$	7			7			ns
Width of clear pulse, $t_w(\text{clear})$	12			12			ns
Setup time, $t_{su}$	Mode control		11	11			ns
	Serial and parallel data		5	5			ns
	Clear inactive-state		9	9			ns
Hold time at any input, $t_h$			3		3		ns
Operating free-air temperature, $T_A$			-55		125	0	70 °C

electrical characteristics over recommended operating free-air temperature range (unless otherwise noted)

PARAMETER	TEST CONDITIONS†	SN54S194		SN74S194		UNIT		
		MIN	TYP‡	MAX	MIN		TYP‡	MAX
$V_{IH}$ High-level input voltage		2			2		V	
$V_{IL}$ Low-level input voltage				0.8		0.8	V	
$V_{IK}$ Input clamp voltage				-1.2		-1.2	V	
$V_{OH}$ High-level output voltage	$V_{CC} = \text{MIN}, I_I = -18 \text{ mA}$	2.5	3.4		2.7	3.4	V	
$V_{OL}$ Low-level output voltage	$V_{CC} = \text{MIN}, V_{IH} = 2 \text{ V}, V_{IL} = 0.8 \text{ V}, I_{OL} = 20 \text{ mA}$			0.5		0.5	V	
$I_I$ Input current at maximum input voltage	$V_{CC} = \text{MAX}, V_I = 5.5 \text{ V}$			1		1	mA	
$I_{IH}$ High-level input current	$V_{CC} = \text{MAX}, V_I = 2.4 \text{ V}$			50		50	μA	
$I_{IL}$ Low-level input current	$V_{CC} = \text{MAX}, V_I = 0.5 \text{ V}$			-2		-2	mA	
$I_{OS}$ Short-circuit output current§	$V_{CC} = \text{MAX}$			-40	-100	-40	-100	mA
$I_{CC}$ Supply current	$V_{CC} = \text{MAX}$ , See Note 2			85	135	85	135	mA
	$V_{CC} = \text{MAX}$ , $T_A = 125^\circ\text{C}$ , W package				110			

† For conditions shown as MIN or MAX, use the appropriate value specified under recommended operating conditions.

‡ All typical values are at  $V_{CC} = 5 \text{ V}$ ,  $T_A = 25^\circ\text{C}$ .

§ Not more than one output should be shorted at a time, and duration of the short-circuit should not exceed one second.

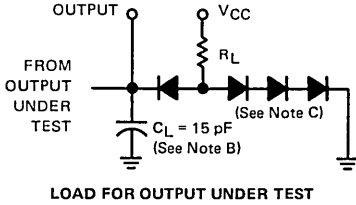
NOTE 2: With all outputs open, inputs A through D grounded, and 4.5 V applies to S0, S1, clear, and the serial inputs,  $I_{CC}$  is tested with a momentary GND, then 4.5 V, applied to clock.

switching characteristics,  $V_{CC} = 5 \text{ V}$ ,  $T_A = 25^\circ\text{C}$

PARAMETER	TEST CONDITIONS	MIN	TYP	MAX	UNIT	
$f_{max}$ Maximum clock frequency	$C_L = 15 \text{ pF}$ , $R_L = 280 \Omega$ , See Figure 1	70	105		MHz	
$t_{PHL}$ Propagation delay time, high-to-low-level output from clear			12.5	18.5	ns	
$t_{PLH}$ Propagation delay time, low-to-high-level output from clock			4	8	12	ns
$t_{PHL}$ Propagation delay time, high-to-low-level output from clock			4	11	16.5	ns

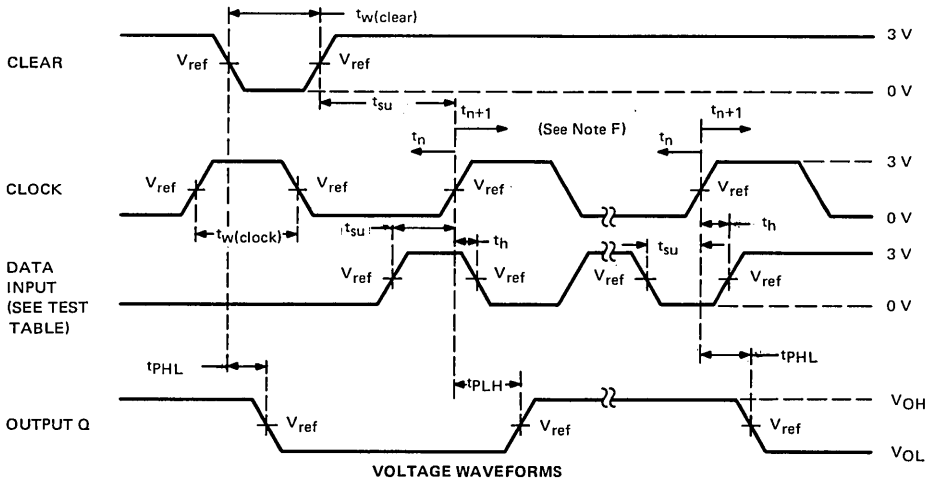
# TYPES SN54194, SN54LS194A, SN54S194, SN74194, SN74LS194A, SN74S194 4-BIT BIDIRECTIONAL UNIVERSAL SHIFT REGISTERS

## PARAMETER MEASUREMENT INFORMATION



TEST TABLE FOR SYNCHRONOUS INPUTS

DATA INPUT FOR TEST	S1	S0	OUTPUT TESTED (SEE NOTE E)
A	4.5 V	4.5 V	QA at $t_{n+1}$
B	4.5 V	4.5 V	QB at $t_{n+1}$
C	4.5 V	4.5 V	QC at $t_{n+1}$
D	4.5 V	4.5 V	QD at $t_{n+1}$
L Serial Input	4.5 V	0 V	QA at $t_{n+4}$
R Serial Input	0 V	4.5 V	QD at $t_{n+4}$



- NOTES: A. The clock pulse generator has the following characteristics:  $Z_{out} \approx 50 \Omega$  and  $PRR \leq 1 \text{ MHz}$ . For '194,  $t_r \leq 7 \text{ ns}$  and  $t_f \leq 7 \text{ ns}$ . For 'LS194A,  $t_r \leq 15 \text{ ns}$  and  $t_f \leq 6 \text{ ns}$ . For 'S194,  $t_r \leq 2.5 \text{ ns}$  and  $t_f \leq 2.5 \text{ ns}$ . When testing  $f_{max}$ , vary PRR.
- B.  $C_L$  includes probe and jig capacitance.
- C. All diodes are 1N3064 or 1N916.
- D. A clear pulse is applied prior to each test.
- E. For '194 and 'S194,  $V_{ref} = 1.5 \text{ V}$ ; for 'LS194A,  $V_{ref} = 1.3 \text{ V}$ .
- F. Propagation delay times ( $t_{PLH}$  and  $t_{PHL}$ ) are measured at  $t_{n+1}$ . Proper shifting of data is verified at  $t_{n+4}$  with a functional test.
- G.  $t_n$  = bit time before clocking transition.  
 $t_{n+1}$  = bit time after one clocking transition.  
 $t_{n+4}$  = bit time after four clocking transitions.

FIGURE 1—SWITCHING TIMES

# TYPES SN54195, SN54LS195A, SN54S195, SN74195, SN74LS195A, SN74S195 4-BIT PARALLEL-ACCESS SHIFT REGISTERS

BULLETIN NO. DL-S 7611820, MARCH 1974—REVISED OCTOBER 1976

SN54195, SN54LS195A, SN54S195 . . . J OR W PACKAGE  
SN74195, SN74LS195A, SN74S195 . . . J OR N PACKAGE  
(TOP VIEW)

- Synchronous Parallel Load
- Positive-Edge-Triggered Clocking
- Parallel Inputs and Outputs from Each Flip-Flop
- Direct Overriding Clear
- J and  $\bar{K}$  Inputs to First Stage
- Complementary Outputs from Last Stage
- For Use in High-Performance:  
Accumulators/Processors  
Serial-to-Parallel, Parallel-to-Serial Converters

### description

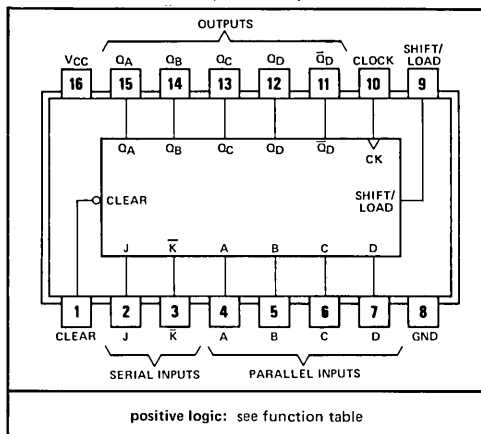
These 4-bit registers feature parallel inputs, parallel outputs, J- $\bar{K}$  serial inputs, shift/load control input, and a direct overriding clear. All inputs are buffered to lower the input drive requirements. The registers have two modes of operation:

- Parallel (broadside) load
- Shift (in the direction  $Q_A$  toward  $Q_D$ )

Parallel loading is accomplished by applying the four bits of data and taking the shift/load control input low. The data is loaded into the associated flip-flop and appears at the outputs after the positive transition of the clock input. During loading, serial data flow is inhibited.

Shifting is accomplished synchronously when the shift/load control input is high. Serial data for this mode is entered at the J- $\bar{K}$  inputs. These inputs permit the first stage to perform as a J- $\bar{K}$ , D-, or T-type flip-flop as shown in the function table.

The high-performance 'S195, with a 105-megahertz typical maximum shift-frequency, is particularly attractive for very-high-speed data processing systems. In most cases existing systems can be upgraded merely by using this Schottky-clamped shift register.



TYPE	TYPICAL MAXIMUM CLOCK FREQUENCY	TYPICAL POWER DISSIPATION
'195	39 MHz	195 mW
'LS195A	39 MHz	70 mW
'S195	105 MHz	350 mW

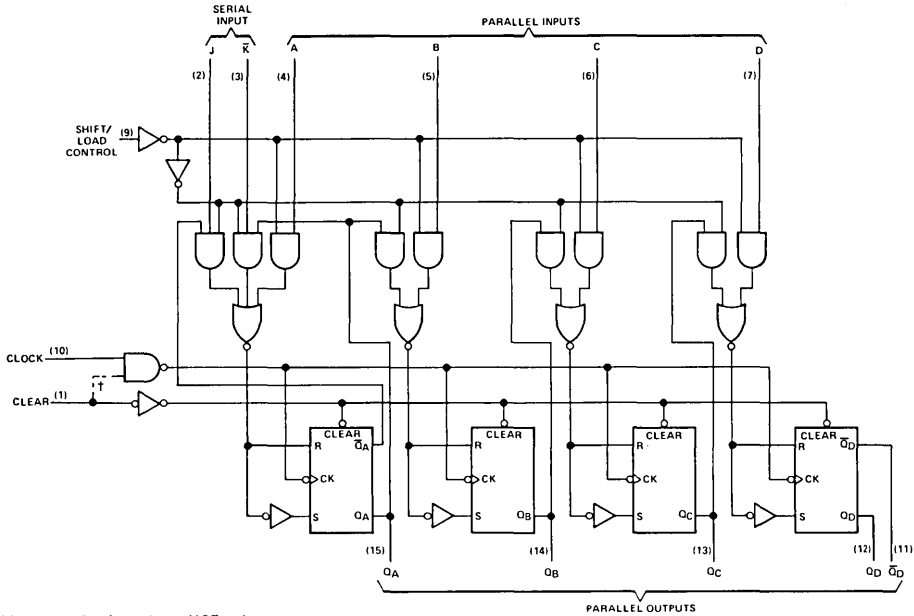
FUNCTION TABLE

CLEAR	SHIFT/ LOAD	CLOCK	INPUTS				OUTPUTS						
			SERIAL		PARALLEL		$Q_A$	$Q_B$	$Q_C$	$Q_D$	$\bar{Q}_D$		
			J	$\bar{K}$	A	B	C	D					
L	X	X	X	X	X	X	X	X	L	L	L	L	H
H	L	↑	X	X	a	b	c	d	a	b	c	d	$\bar{d}$
H	H	L	X	X	X	X	X	X	$Q_{A0}$	$Q_{B0}$	$Q_{C0}$	$Q_{D0}$	$\bar{Q}_{D0}$
H	H	↑	L	H	X	X	X	X	$Q_{A0}$	$Q_{A0}$	$Q_{Bn}$	$Q_{Cn}$	$\bar{Q}_{Cn}$
H	H	↑	L	L	X	X	X	X	L	$Q_{An}$	$Q_{Bn}$	$Q_{Cn}$	$\bar{Q}_{Cn}$
H	H	↑	H	H	X	X	X	X	H	$Q_{An}$	$Q_{Bn}$	$Q_{Cn}$	$\bar{Q}_{Cn}$
H	H	↑	H	L	X	X	X	X	$\bar{Q}_{An}$	$Q_{An}$	$Q_{Bn}$	$Q_{Cn}$	$\bar{Q}_{Cn}$

H = high level (steady state)  
L = low level (steady state)  
X = irrelevant (any input, including transitions)  
↑ = transition from low to high level  
a, b, c, d = the level of steady-state input at A, B, C, or D, respectively  
 $Q_{A0}, Q_{B0}, Q_{C0}, Q_{D0}$  = the level of  $Q_A, Q_B, Q_C,$  or  $Q_D$ , respectively, before the indicated steady-state input conditions were established  
 $Q_{An}, Q_{Bn}, Q_{Cn}$  = the level of  $Q_A, Q_B,$  or  $Q_C$ , respectively, before the most-recent transition of the clock

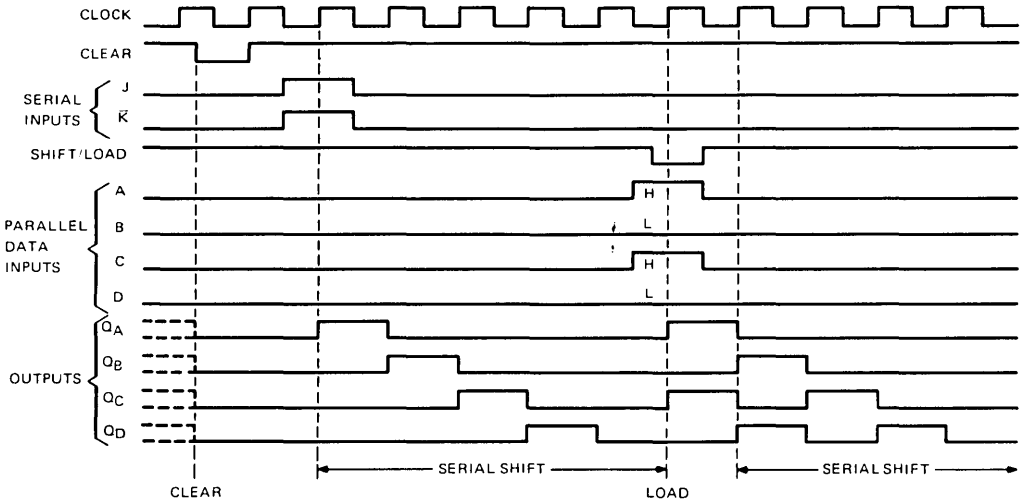
# TYPES SN54195, SN54LS195A, SN54S195, SN74195, SN74LS195A, SN74S195 4-BIT PARALLEL-ACCESS SHIFT REGISTERS

functional block diagram



† This connection is made on '195 only.

typical clear, shift, and load sequences

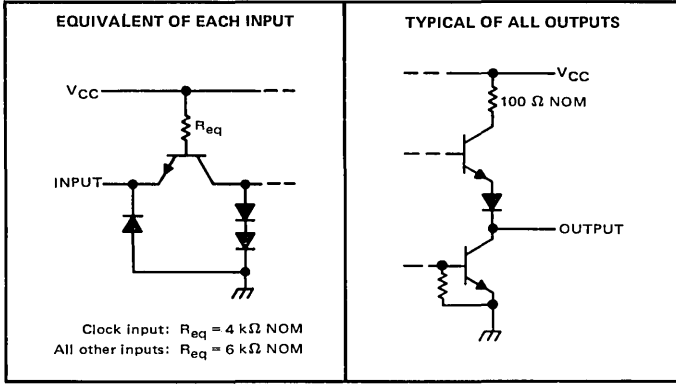


# TYPES SN54195, SN54LS195A, SN54S195, SN74195, SN74LS195A, SN74S195 4-BIT PARALLEL-ACCESS SHIFT REGISTERS

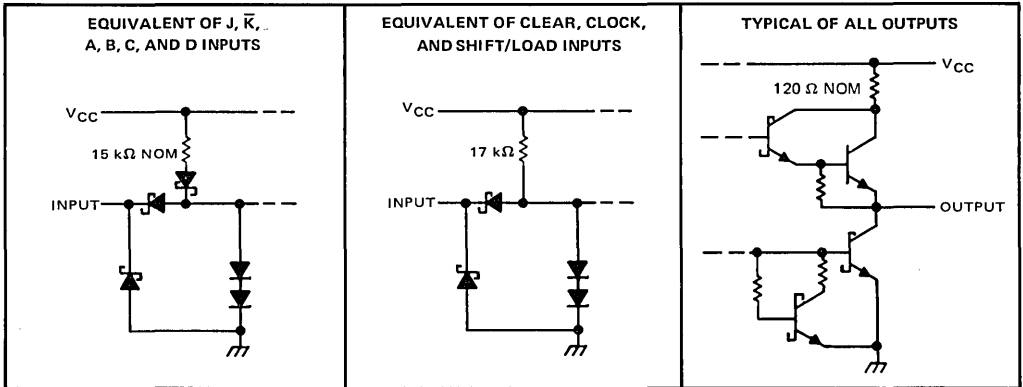
REVISED OCTOBER 1976

schematics of inputs and outputs

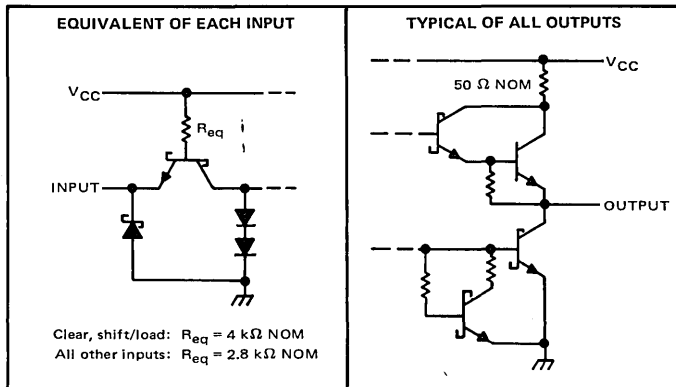
'195



'LS195A



'S195



# TYPES SN54195, SN74195

## 4-BIT PARALLEL-ACCESS SHIFT REGISTERS

absolute maximum ratings over operating free-air temperature range (unless otherwise noted)

Supply voltage, $V_{CC}$ (see Note 1)	7 V
Input voltage	5.5 V
Operating free-air temperature range: SN54195	-55°C to 125°C
SN74195	0°C to 70°C
Storage temperature range	-65°C to 150°C

NOTE 1: Voltage values are with respect to network ground terminal.

recommended operating conditions

	SN54195			SN74195			UNIT
	MIN	NOM	MAX	MIN	NOM	MAX	
Supply voltage, $V_{CC}$	4.5	5	5.5	4.75	5	5.25	V
High-level output current, $I_{OH}$	-800			-800			$\mu$ A
Low-level output current, $I_{OL}$	16			16			mA
Clock frequency, $f_{clock}$	0		30	0		30	MHz
Width of clock input pulse, $t_w(\text{clock})$	16			16			ns
Width of clear input pulse, $t_w(\text{clear})$	12			12			ns
Setup time, $t_{su}$ (see Figure 1)	Shift/load			25			ns
	Serial and parallel data			20			
	Clear inactive-state			25			
Shift/load release time, $t_{release}$ (see Figure 1)	10			10			ns
Serial and parallel data hold time, $t_h$ (see Figure 1)	0			0			ns
Operating free-air temperature, $T_A$	-55		125	0		70	°C

electrical characteristics over recommended operating free-air temperature range (unless otherwise noted)

PARAMETER	TEST CONDITIONS†	MIN	TYP‡	MAX	UNIT
$V_{IH}$ High-level input voltage		2			V
$V_{IL}$ Low-level input voltage		0.8			V
$V_{IK}$ Input clamp voltage	$V_{CC} = \text{MIN}$ , $I_I = -12 \text{ mA}$	-1.5			V
$V_{OH}$ High-level output voltage	$V_{CC} = \text{MIN}$ , $V_{IH} = 2 \text{ V}$ , $V_{IL} = 0.8 \text{ V}$ , $I_{OH} = -800 \mu\text{A}$	2.4	3.4		V
$V_{OL}$ Low-level output voltage	$V_{CC} = \text{MIN}$ , $V_{IH} = 2 \text{ V}$ , $V_{IL} = 0.8 \text{ V}$ , $I_{OL} = 16 \text{ mA}$	0.2	0.4		V
$I_I$ Input current at maximum input voltage	$V_{CC} = \text{MAX}$ , $V_I = 5.5 \text{ V}$	1			mA
$I_{IH}$ High-level input current	$V_{CC} = \text{MAX}$ , $V_I = 2.4 \text{ V}$	40			$\mu$ A
$I_{IL}$ Low-level input current	$V_{CC} = \text{MAX}$ , $V_I = 0.4 \text{ V}$	-1.6			mA
$I_{OS}$ Short-circuit output current§	$V_{CC} = \text{MAX}$	SN54195	-20	-57	mA
		SN74195	-18	-57	
$I_{CC}$ Supply current	$V_{CC} = \text{MAX}$ , See Note 2	39	63		mA

† For conditions shown as MIN or MAX, use the appropriate value specified under recommended operating conditions.

‡ All typical values are at  $V_{CC} = 5 \text{ V}$ ,  $T_A = 25^\circ\text{C}$ .

§ Not more than one output should be shorted at a time.

NOTE 2: With all outputs open, shift/load grounded, and 4.5 V applied to the J,  $\bar{K}$ , and data inputs,  $I_{CC}$  is measured by applying a momentary ground, followed by 4.5 V, to clear and then applying a momentary ground, followed by 4.5 V, to clock.

switching characteristics,  $V_{CC} = 5 \text{ V}$ ,  $T_A = 25^\circ\text{C}$

PARAMETER	TEST CONDITIONS	MIN	TYP	MAX	UNIT
$f_{max}$ Maximum clock frequency	$C_L = 15 \text{ pF}$ , $R_L = 400 \Omega$ , See Figure 1	30	39		MHz
$t_{PHL}$ Propagation delay time, high-to-low-level output from clear		19		30	ns
$t_{PLH}$ Propagation delay time, low-to-high-level output from clock		14		22	ns
$t_{PHL}$ Propagation delay time, high-to-low-level output from clock		17		26	ns



# TYPES SN54LS195A, SN74LS195A

## 4-BIT PARALLEL-ACCESS SHIFT REGISTERS

REVISED OCTOBER 1976

absolute maximum ratings over operating free-air temperature range (unless otherwise noted)

Supply voltage, $V_{CC}$ (see Note 1)	7 V
Input voltage	7 V
Operating free-air temperature range: SN54LS195A	-55°C to 125°C
SN74LS195A	0°C to 70°C
Storage temperature range	-65°C to 150°C

NOTE 1: Voltage values are with respect to network ground terminal.

recommended operating conditions

	SN54LS195A			SN74LS195A			UNIT
	MIN	NOM	MAX	MIN	NOM	MAX	
Supply voltage, $V_{CC}$	4.5	5	5.5	4.75	5	5.25	V
High-level output current, $I_{OH}$			-400			-400	$\mu$ A
Low-level output current, $I_{OL}$			4			8	mA
Clock frequency, $f_{clock}$	0		30	0		30	MHz
Width of clock or clear pulse, $t_w(\text{clock})$	16			16			ns
Width of clear input pulse, $t_w(\text{clear})$	12			12			ns
Setup time, $t_{SU}$ (see Figure 1)	Shift/load	25		25			ns
	Serial and parallel data	15		15			
	Clear inactive-state	25		25			
Shift/load release time, $t_{release}$ (see Figure 1)			10			10	ns
Serial and parallel data hold time, $t_h$ (see Figure 1)	0			0			ns
Operating free-air temperature, $T_A$	-55		125	0		70	°C

electrical characteristics over recommended operating free-air temperature range (unless otherwise noted)

PARAMETER	TEST CONDITIONS†	SN54LS195A			SN74LS195A			UNIT
		MIN	TYP‡	MAX	MIN	TYP‡	MAX	
$V_{IH}$ High-level input voltage		2			2			V
$V_{IL}$ Low-level input voltage				0.7			0.8	V
$V_{IK}$ Input clamp voltage	$V_{CC} = \text{MIN}, I_I = -18 \text{ mA}$			-1.5			-1.5	V
$V_{OH}$ High-level output voltage	$V_{CC} = \text{MIN}, V_{IH} = 2 \text{ V}, V_{IL} = V_{IL \text{ max}}, I_{OH} = -400 \mu\text{A}$	2.5	3.4		2.7	3.4		V
$V_{OL}$ Low-level output voltage	$V_{CC} = \text{MIN}, V_{IH} = 2 \text{ V}, V_{IL} = V_{IL \text{ max}}, I_{OL} = 4 \text{ mA}$ $I_{OL} = 8 \text{ mA}$		0.25	0.4		0.25	0.4	V
$I_I$ Input current at maximum input voltage	$V_{CC} = \text{MAX}, V_I = 7 \text{ V}$			0.1			0.1	mA
$I_{IH}$ High-level input current	$V_{CC} = \text{MAX}, V_I = 2.7 \text{ V}$			20			20	$\mu$ A
$I_{IL}$ Low-level input current	$V_{CC} = \text{MAX}, V_I = 0.4 \text{ V}$			-0.4			-0.4	mA
$I_{OS}$ Short-circuit output current§	$V_{CC} = \text{MAX}$	-20		-100	-20		-100	mA
$I_{CC}$ Supply current	$V_{CC} = \text{MAX},$ See Note 2		14	21		14	21	mA

† For conditions shown as MIN or MAX, use the appropriate value specified under recommended operating conditions.

‡ All typical values are at  $V_{CC} = 5 \text{ V}, T_A = 25^\circ \text{C}$ .

§ Not more than one output should be shorted at a time, and duration of the short-circuit should not exceed one second.

NOTE 2: With all outputs open, shift/load grounded, and 4.5 V applied to the J, K, and data inputs,  $I_{CC}$  is measured by applying a momentary ground, followed by 4.5 V, to clear and then applying a momentary ground, followed by 4.5 V, to clock.

switching characteristics,  $V_{CC} = 5 \text{ V}, T_A = 25^\circ \text{C}$

PARAMETER	TEST CONDITIONS	MIN	TYP	MAX	UNIT
$f_{max}$ Maximum clock frequency	$C_L = 15 \text{ pF}, R_L = 2 \text{ k}\Omega,$ See Figure 1	30	39		MHz
$t_{PHL}$ Propagation delay time, high-to-low-level output from clear			19	30	ns
$t_{PLH}$ Propagation delay time, low-to-high-level output from clock			14	22	ns
$t_{PHL}$ Propagation delay time, high-to-low-level output from clock			17	26	ns

# TYPES SN54S195, SN74S195

## 4-BIT PARALLEL-ACCESS SHIFT REGISTERS

REVISED MARCH 1974

### absolute maximum ratings over operating free-air temperature range (unless otherwise noted)

Supply voltage, $V_{CC}$ (see Note 1)	7	V
Input voltage	5.5	V
Operating free-air temperature range: SN54S195	-55	°C to 125
SN74S195	0	°C to 70
Storage temperature range	-65	°C to 150

NOTE 1: Voltage values are with respect to network ground terminal.

### recommended operating conditions

	SN54S195			SN74S195			UNIT
	MIN	NOM	MAX	MIN	NOM	MAX	
Supply voltage, $V_{CC}$	4.5	5	5.5	4.75	5	5.25	V
High-level output current, $I_{OH}$			-1			-1	mA
Low-level output current, $I_{OL}$			20			20	mA
Clock frequency, $f_{clock}$	0		70	0		70	MHz
Width of clock input pulse, $t_{w(clock)}$		7			7		ns
Width of clear input pulse, $t_{w(clear)}$		12			12		ns
Setup time, $t_{su}$ (see Figure 1)			Shift/load			11	ns
			Serial and parallel data			5	
			Clear inactive-state			9	
Shift/load release time, $t_{release}$ (see Figure 1)			6			6	ns
Serial and parallel data hold time, $t_h$ (see Figure 1)		3			3		ns
Operating free-air temperature, $T_A$	-55		125	0		70	°C

### electrical characteristics over recommended operating free-air temperature range (unless otherwise noted)

PARAMETER	TEST CONDITIONS†		MIN	TYP‡	MAX	UNIT
$V_{IH}$ High-level input voltage			2			V
$V_{IL}$ Low-level input voltage					0.8	V
$V_{IK}$ Input clamp voltage	$V_{CC} = \text{MIN},$	$I_I = -18 \text{ mA}$			-1.2	V
$V_{OH}$ High-level output voltage	$V_{CC} = \text{MIN},$ $V_{IL} = 0.8 \text{ V},$	$V_{IH} = 2 \text{ V},$ $I_{OH} = -1 \text{ mA}$	SN54S195	2.5	3.4	V
			SN74S195	2.7	3.4	
$V_{OL}$ Low-level output voltage	$V_{CC} = \text{MIN},$ $V_{IL} = 0.8 \text{ V},$	$V_{IH} = 2 \text{ V},$ $I_{OL} = 20 \text{ mA}$			0.5	V
$I_I$ Input current at maximum input voltage	$V_{CC} = \text{MAX},$	$V_I = 5.5 \text{ V}$			1	mA
$I_{IH}$ High-level input current	$V_{CC} = \text{MAX},$	$V_I = 2.7 \text{ V}$			50	μA
$I_{IL}$ Low-level input current	$V_{CC} = \text{MAX},$	$V_I = 0.5 \text{ V}$			-2	mA
$I_{OS}$ Short-circuit output current §	$V_{CC} = \text{MAX}$		-40		-100	mA
$I_{CC}$ Supply current	$V_{CC} = \text{MAX},$	See Note 2	SN54S195	70	99	mA
			SN74S195	70	109	

† For conditions shown as MIN or MAX, use the appropriate value specified under recommended operating conditions.

‡ All typical values are at  $V_{CC} = 5 \text{ V}, T_A = 25^\circ \text{C}.$

§ Not more than one output should be shorted at a time, and duration of the short-circuit should not exceed one second.

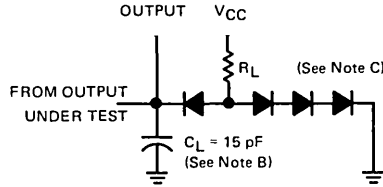
NOTE 2: With all outputs open, shift/load grounded, and 4.5 V applied to the J, K, and data inputs,  $I_{CC}$  is measured by applying a momentary ground, followed by 4.5 V, to clear, and then applying a momentary ground, followed by 4.5 V, to clock.

### switching characteristics, $V_{CC} = 5 \text{ V}, T_A = 25^\circ \text{C}$

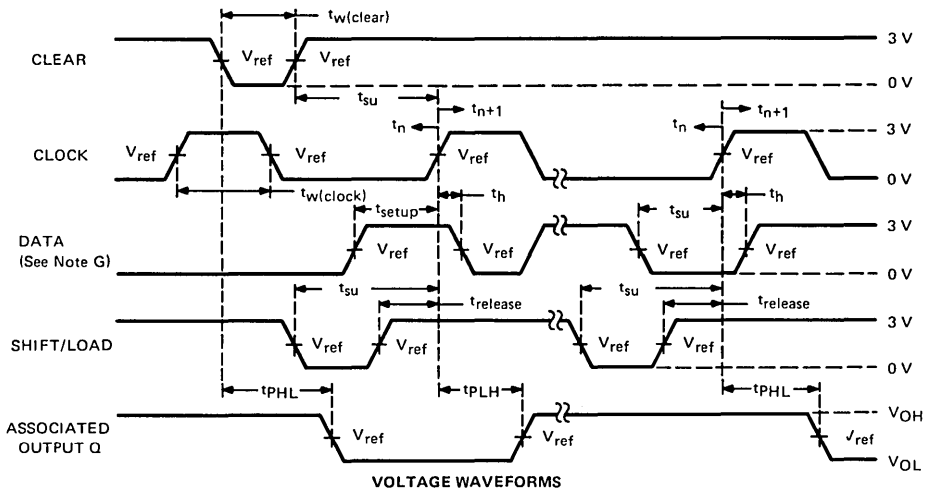
PARAMETER	TEST CONDITIONS	MIN	TYP	MAX	UNIT
$f_{max}$ Maximum clock frequency		70	105		MHz
$t_{PHL}$ Propagation delay time, high-to-low-level output from clear	$C_L = 15 \text{ pF},$ $R_L = 280 \Omega,$ See Figure 1		12.5	18.5	ns
$t_{PLH}$ Propagation delay time, low-to-high-level output from clock			8	12	ns
$t_{PHL}$ Propagation delay time, high-to-low-level output from clock			11	16.5	ns

**TYPES SN54195, SN54LS195A, SN54S195,  
SN74195, SN74LS195A, SN74S195  
4-BIT PARALLEL-ACCESS SHIFT REGISTERS**

**PARAMETER MEASUREMENT INFORMATION**



**LOAD FOR OUTPUT UNDER TEST**



- NOTES:**
- A. The clock pulse generator has the following characteristics:  $Z_{out} \approx 50 \Omega$  and  $PRR \leq 1 \text{ MHz}$ . For '195,  $t_r \leq 7 \text{ ns}$  and  $t_f \leq 7 \text{ ns}$ . For 'LS195A,  $t_r \leq 15 \text{ ns}$  and  $t_f \leq 6 \text{ ns}$ . For 'S195,  $t_r = 2.5 \text{ ns}$  and  $t_f = 2.5 \text{ ns}$ . When testing  $f_{max}$ , vary the clock PRR.
  - B.  $C_L$  includes probe and jig capacitance.
  - C. All diodes are 1N3064.
  - D. A clear pulse is applied prior to each test.
  - E. For '195 and 'S195,  $V_{ref} = 1.5 \text{ V}$ ; for 'LS195A,  $V_{ref} = 1.3 \text{ V}$ .
  - F. Propagation delay times ( $t_{PLH}$  and  $t_{PHL}$ ) are measured at  $t_{n+1}$ . Proper shifting of data is verified at  $t_{n+4}$  with a functional test.
  - G. J and K inputs are tested the same as data A, B, C, and D inputs except that shift/load input remains high.
  - H.  $t_n$  = bit time before clocking transition.  
 $t_{n+1}$  = bit time after one clocking transition.  
 $t_{n+4}$  = bit time after four clocking transitions.

**FIGURE 1—SWITCHING TIMES**

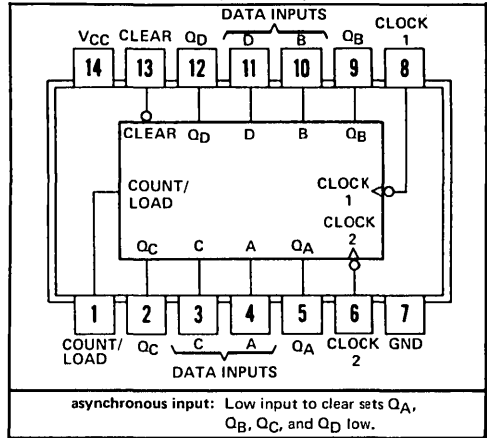
# TYPES SN54196, SN54197, SN54LS196, SN54LS197, SN54S196, SN54S197, SN74196, SN74197, SN74LS196, SN74LS197, SN74S196, SN74S197 50/30/100-MHz PRESETTABLE DECADE OR BINARY COUNTERS/LATCHES

BULLETIN NO. DL5 7711806, OCTOBER 1976—REVISED AUGUST 1977

SN54', SN54LS', SN54S' ... J OR W PACKAGE  
SN74', SN74LS', SN74S' ... J OR N PACKAGE

- Performs BCD, Bi-Quinary, or Binary Counting
- Fully Programmable
- Fully Independent Clear Input
- Input Clamping Diodes Simplify System Design
- Output  $Q_A$  Maintains Full Fan-out Capability In Addition to Driving Clock-2 Input

TYPES	GUARANTEED COUNT FREQUENCY		TYPICAL POWER DISSIPATION
	CLOCK 1	CLOCK 2	
'196, '197	0-50 MHz	0-25 MHz	240 mW
'LS196, 'LS197	0-30 MHz	0-15 MHz	80 mW
'S196, 'S197	0-100 MHz	0-50 MHz	375 mW



## description

These high-speed monolithic counters consist of four d-c coupled, master-slave flip-flops, which are internally interconnected to provide either a divide-by-two and a divide-by-five counter ('196, 'LS196, 'S196) or a divide-by-two and a divide-by-eight counter ('197, 'LS197, 'S197). These four counters are fully programmable; that is, the outputs may be preset to any state by placing a low on the count/load input and entering the desired data at the data inputs. The outputs will change to agree with the data inputs independent of the state of the clocks.

During the count operation, transfer of information to the outputs occurs on the negative-going edge of the clock pulse. These counters feature a direct clear which when taken low sets all outputs low regardless of the states of the clocks.

These counters may also be used as 4-bit latches by using the count/load input as the strobe and entering data at the data inputs. The outputs will directly follow the data inputs when the count/load is low, but will remain unchanged when the count/load is high and the clock inputs are inactive.

All inputs are diode-clamped to minimize transmission-line effects and simplify system design. These circuits are compatible with most TTL and DTL logic families. Series 54, 54LS, and 54S circuits are characterized for operation over the full military temperature range of  $-55^{\circ}\text{C}$  to  $125^{\circ}\text{C}$ ; Series 74, 74LS, and 74S circuits are characterized for operation from  $0^{\circ}\text{C}$  to  $70^{\circ}\text{C}$ .

## typical count configurations

'196, 'LS196, and 'S196 typical count configurations and function tables are the same as those for '176. See page 7-260.

'197, 'LS197, and 'S197 typical count configurations and function tables are the same as those for '177. See page 7-260.

## functional block diagrams

'196, 'LS196, and 'S196 functional block diagram is the same as that for '176. See page 7-261.

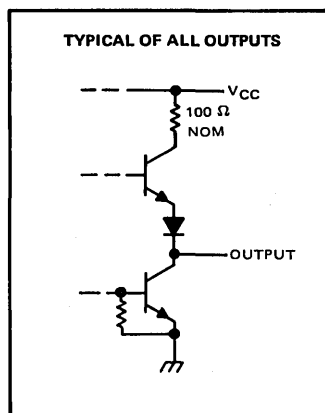
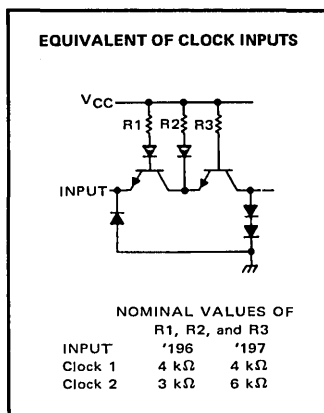
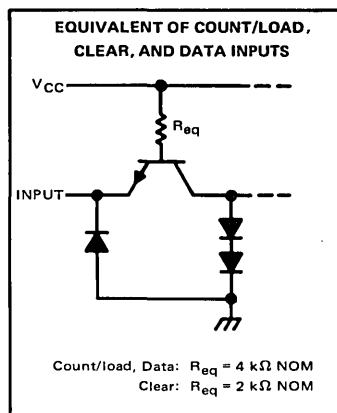
'197, 'LS197, and 'S197 functional block diagram is the same as that for '177. See page 7-261.

# TYPES SN54196, SN54197, SN74196, SN74197

## 50-MHz PRESETTABLE DECADE OR BINARY COUNTERS/LATCHES

REVISED AUGUST 1977

### schematics of inputs and outputs



### absolute maximum ratings over operating free-air temperature range (unless otherwise noted)

Supply voltage, $V_{CC}$ (see Note 1)	7 V
Input voltage	5.5 V
Interemitter voltage (see Note 2)	5.5 V
Operating free-air temperature range: SN54196, SN54197 Circuits	-55°C to 125°C
SN74196, SN74197 Circuits	0°C to 70°C
Storage temperature range	-65°C to 150°C

- NOTES: 1. Voltage values are with respect to network ground terminal.  
2. This is the voltage between two emitters of a multiple-emitter transistor. For this circuit, this rating applies between the clear and count/load inputs.

### recommended operating conditions

	SN54196, SN54197			SN74196, SN74197			UNIT
	MIN	NOM	MAX	MIN	NOM	MAX	
Supply voltage, $V_{CC}$	4.5	5	5.5	4.75	5	5.25	V
High-level output current, $I_{OH}$	-800			-800			$\mu\text{A}$
Low-level output current, $I_{OL}$	16			16			mA
Count frequency	Clock-1 input	0	50	0	50		MHz
	Clock-2 input	0	25	0	25		
Pulse width, $t_w$	Clock-1 input	10		10			ns
	Clock-2 input	20		20			
	Clear	15		15			
	Load	20		20			
Input hold time, $t_h$	High-level data	$t_w(\text{load})$		$t_w(\text{load})$			ns
	Low-level data	$t_w(\text{load})$		$t_w(\text{load})$			
Input setup time, $t_{su}$	High-level data	10		10			ns
	Low-level data	15		15			
Count enable time, $t_{enable}$ (See Note 3)	20			20			ns
Operating free-air temperature, $T_A$	-55		125	0		70	°C

NOTE 3: Minimum count enable time is the interval immediately preceding the negative-going edge of the clock pulse during which interval the count/load and clear inputs must both be high to ensure counting.

# TYPES SN54196, SN54197, SN74196, SN74197

## 50-MHz PRESETTABLE DECADE OR BINARY COUNTERS/LATCHES

electrical characteristics over recommended operating free-air temperature range (unless otherwise noted)

PARAMETER		TEST CONDITIONS†	SN54196, SN74196			SN54197, SN74197			UNIT
			MIN	TYP‡	MAX	MIN	TYP‡	MAX	
V <sub>IH</sub>	High-level input voltage		2			2			V
V <sub>IL</sub>	Low-level input voltage		0.8			0.8			V
V <sub>IK</sub>	Input clamp voltage	V <sub>CC</sub> = MIN, I <sub>I</sub> = -12 mA	-1.5			-1.5			V
V <sub>OH</sub>	High-level output voltage	V <sub>CC</sub> = MIN, V <sub>IH</sub> = 2 V, V <sub>IL</sub> = 0.8 V, I <sub>OH</sub> = -800 μA	2.4	3.4		2.4	3.4		V
V <sub>OL</sub>	Low-level output voltage	V <sub>CC</sub> = MIN, V <sub>IH</sub> = 2 V, V <sub>IL</sub> = 0.8 V, I <sub>OL</sub> = 16 mA¶	0.2	0.4		0.2	0.4		V
I <sub>I</sub>	Input current at maximum input voltage	V <sub>CC</sub> = MAX, V <sub>I</sub> = 5.5 V	1			1			mA
I <sub>IH</sub>	High-level input current	data, count/load	40			40			μA
		clear, clock 1	80			80			
		clock 2	120			80			
I <sub>IL</sub>	Low-level input current	data, count/load	-1.6			-1.6			mA
		clear	-3.2			-3.2			
		clock 1	-4.8			-4.8			
		clock 2	-6.4			-3.2			
I <sub>OS</sub>	Short-circuit output current‡	V <sub>CC</sub> = MAX	SN54'	-20	-57	-20	-57	mA	
			SN74'	-18	-57	-18	-57		
I <sub>CC</sub>	Supply current	V <sub>CC</sub> = MAX, See Note 4	48	59		48	59	mA	

NOTE 4: I<sub>CC</sub> is measured with all inputs grounded and all outputs open.

†For conditions shown as MIN or MAX, use the appropriate value specified under recommended operating conditions.

‡All typical values are at V<sub>CC</sub> = 5 V, T<sub>A</sub> = 25°C.

¶Q<sub>A</sub> outputs are tested at I<sub>OL</sub> = 16 mA plus the limit value of I<sub>IL</sub> for the clock-2 input. This permits driving the clock-2 input while fanning out to 10 Series 54/74 loads.

§Not more than one output should be shorted at a time.

### switching characteristics, V<sub>CC</sub> = 5 V, T<sub>A</sub> = 25°C

PARAMETER <sup>◇</sup>	FROM (INPUT)	TO (OUTPUT)	TEST CONDITIONS	SN54196 SN74196			SN54197 SN74197			UNIT
				MIN	TYP	MAX	MIN	TYP	MAX	
f <sub>max</sub>	Clock 1	Q <sub>A</sub>	C <sub>L</sub> = 15 pF, R <sub>L</sub> = 400 Ω, See Note 5	50	70		50	70		MHz
t <sub>PLH</sub>	Clock 1	Q <sub>A</sub>		7	12		7	12		ns
t <sub>PHL</sub>				10	15		10	15		
t <sub>PLH</sub>	Clock 2	Q <sub>B</sub>		12	18		12	18		ns
t <sub>PHL</sub>				14	21		14	21		
t <sub>PLH</sub>	Clock 2	Q <sub>C</sub>		24	36		24	36		ns
t <sub>PHL</sub>				28	42		28	42		
t <sub>PLH</sub>	Clock 2	Q <sub>D</sub>		14	21		36	54		ns
t <sub>PHL</sub>				12	18		42	63		
t <sub>PLH</sub>	A, B, C, D	Q <sub>A</sub> , Q <sub>B</sub> , Q <sub>C</sub> , Q <sub>D</sub>		16	24		16	24		ns
t <sub>PHL</sub>				25	38		25	38		
t <sub>PLH</sub>	Load	Any		22	33		22	33		ns
t <sub>PHL</sub>				24	36		24	36		
t <sub>PHL</sub>	Clear	Any		25	37		25	37		ns

◇f<sub>max</sub> ≡ maximum count frequency.

t<sub>PLH</sub> ≡ propagation delay time, low-to-high-level output.

t<sub>PHL</sub> ≡ propagation delay time, high-to-low-level output.

NOTE 5: Load circuit, input conditions, and voltage waveforms are the same as those shown for the '176, '177 (page 7-264) except that testing f<sub>max</sub>, V<sub>IL</sub> = 0.3 V.

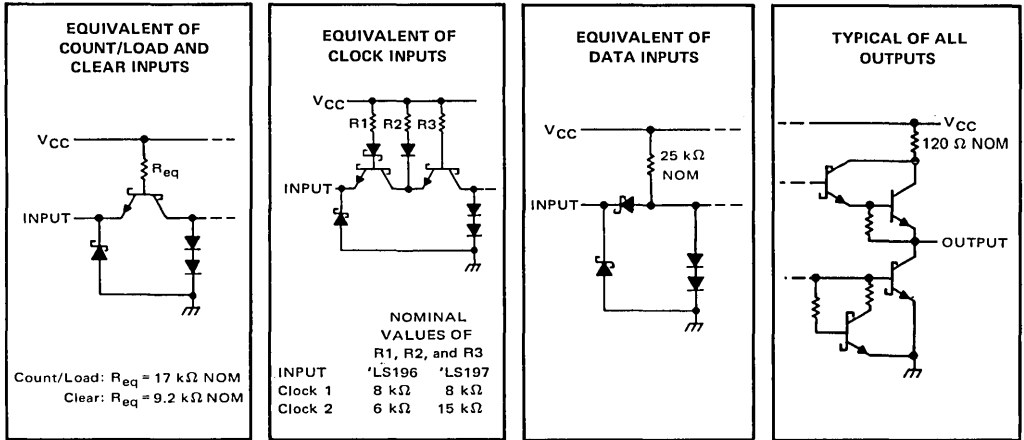
7

# TYPES SN54LS196, SN54LS197, SN74LS196, SN74LS197

## 30-MHz PRESETTABLE DECADE OR BINARY COUNTERS/LATCHES

REVISED AUGUST 1977

### schematics of inputs and outputs



### absolute maximum ratings over operating free-air temperature range (unless otherwise noted)

Supply voltage, $V_{CC}$ (see Note 1)	7 V
Input voltage	5.5 V
Interemitter voltage (see Note 2)	5.5 V
Operating free-air temperature range: SN54LS196, SN54LS197 Circuits	-55°C to 125°C
SN74LS196, SN74LS197 Circuits	0°C to 70°C
Storage temperature range	-65°C to 150°C

NOTES: 1. Voltage values are with respect to network ground terminal.

2. This is the voltage between two emitters of a multiple-emitter transistor. For this circuit, this rating applies between the clear and count/load inputs.

### recommended operating conditions

		SN54LS196, SN54LS197			SN74LS196, SN74LS197			UNIT
		MIN	NOM	MAX	MIN	NOM	MAX	
Supply voltage, $V_{CC}$		4.5	5	5.5	4.75	5	5.25	V
High-level output current, $I_{OH}$				-400			-400	μA
Low-level output current, $I_{OL}$				4			8	mA
Count frequency	Clock-1 input	0		30	0		30	MHz
	Clock-2 input	0		15	0		15	
Pulse width, $t_w$	Clock-1 input	20			20			ns
	Clock-2 input	30			30			
	Clear	15			15			
	Load	20			20			
Input hold time, $t_h$	High-level data	$t_w(\text{load})$			$t_w(\text{load})$			ns
	Low-level data	$t_w(\text{load})$			$t_w(\text{load})$			
Input setup time, $t_{su}$	High-level data	10			10			ns
	Low-level data	15			15			
Count enable time, $t_{enable}$ (See Note 3)		30			30			ns
Operating free-air temperature, $T_A$		-55		125	0		70	°C

NOTE 3: Minimum count enable time is the interval immediately preceding the negative-going edge of the clock pulse during which interval the count/load and clear inputs must both be high to ensure counting.

# TYPES SN54LS196, SN54LS197, SN74LS196, SN74LS197

## 30-MHz PRESETTABLE DECADE OR BINARY COUNTERS/LATCHES

REVISED OCTOBER 1976

electrical characteristics over recommended operating free-air temperature range (unless otherwise noted)

PARAMETER	TEST CONDITIONS†	SN54LS196 SN54LS197			SN74LS196 SN74LS197			UNIT
		MIN	TYP‡	MAX	MIN	TYP‡	MAX	
V <sub>IH</sub> High-level input voltage		2			2			V
V <sub>IL</sub> Low-level input voltage			0.7			0.8		V
V <sub>IK</sub> Input clamp voltage	V <sub>CC</sub> = MIN, I <sub>I</sub> = -18 mA		-1.5			-1.5		V
V <sub>OH</sub> High-level output voltage	V <sub>CC</sub> = MIN, V <sub>IH</sub> = 2 V, V <sub>IL</sub> = V <sub>IL</sub> max, I <sub>OH</sub> = -400 µA	2.5	3.4		2.7	3.4		V
V <sub>OL</sub> Low-level output voltage	V <sub>CC</sub> = MIN, V <sub>IH</sub> = 2 V, V <sub>IL</sub> = V <sub>IL</sub> max		0.25	0.4		0.25	0.4	V
	I <sub>OL</sub> = 4 mA¶ I <sub>OL</sub> = 8 mA¶					0.35	0.5	
I <sub>I</sub> Input current at maximum input voltage	Data, count/load		0.1			0.1		mA
	Clear, clock 1		0.2			0.2		
	Clock 2 of 'LS196		0.4			0.4		
	Clock 2 of 'LS197		0.2			0.2		
I <sub>IH</sub> High-level input current	Data, count/load		20			20		µA
	Clear, clock 1		40			40		
	Clock 2 of 'LS196		80			80		
	Clock 2 of 'LS197		40			40		
I <sub>IL</sub> Low-level input current	Data, count/load		-0.4			-0.4		mA
	Clear		-0.8			-0.8		
	Clock 1		-2.4			-2.4		
	Clock 2 of 'LS196		-2.8			-2.8		
	Clock 2 of 'LS197		-1.3			-1.3		
I <sub>OS</sub> Short-circuit output current§	V <sub>CC</sub> = MAX	-20	-100	-20	-100			mA
I <sub>CC</sub> Supply current	V <sub>CC</sub> = MAX, See Note 4	16	27		16	27		mA

† For conditions shown as MIN or MAX, use the appropriate value specified under recommended operating conditions.

‡ All typical values are at V<sub>CC</sub> = 5 V, T<sub>A</sub> = 25°C.

§ Not more than one output should be shorted at a time, and duration of the short-circuit should not exceed one second.

¶ Q<sub>A</sub> outputs are tested at specified I<sub>OL</sub> plus the limit value of I<sub>IL</sub> for the clock-2 input. This permits driving the clock-2 input while maintaining full fan-out capability.

NOTE 4: I<sub>CC</sub> is measured with all inputs grounded and all outputs open.

switching characteristics, V<sub>CC</sub> = 5 V, T<sub>A</sub> = 25°C

PARAMETER <sup>◇</sup>	FROM (INPUT)	TO (OUTPUT)	TEST CONDITIONS	SN54LS196 SN74LS196			SN54LS197 SN74LS197			UNIT
				MIN	TYP	MAX	MIN	TYP	MAX	
f <sub>max</sub>	Clock 1	Q <sub>A</sub>	C <sub>L</sub> = 15 pF, R <sub>L</sub> = 2 kΩ, See Note 6	30	40		30	40		MHz
t <sub>PLH</sub>	Clock 1	Q <sub>A</sub>		8	15		8	15		ns
t <sub>PHL</sub>				13	20		14	21		
t <sub>PLH</sub>	Clock 2	Q <sub>B</sub>		16	24		12	19		ns
t <sub>PHL</sub>				22	33		23	35		
t <sub>PLH</sub>	Clock 2	Q <sub>C</sub>		38	57		34	51		ns
t <sub>PHL</sub>				41	62		42	63		
t <sub>PLH</sub>	Clock 2	Q <sub>D</sub>		12	18		55	78		ns
t <sub>PHL</sub>				30	45		63	95		
t <sub>PLH</sub>	A, B, C, D	Q <sub>A</sub> , Q <sub>B</sub> , Q <sub>C</sub> , Q <sub>D</sub>		20	30		18	27		ns
t <sub>PHL</sub>				29	44		29	44		
t <sub>PLH</sub>	Load	Any		27	41		26	39		ns
t <sub>PHL</sub>				30	45		30	45		
t <sub>PHL</sub>	Clear	Any		34	51		34	51		ns

◇ f<sub>max</sub> ≡ maximum count frequency

t<sub>PLH</sub> ≡ propagation delay time, low-to-high-level output, t<sub>PHL</sub> ≡ propagation delay time, high-to-low-level output

NOTE 6: Load circuit, input conditions, and voltage waveforms are the same as those shown for the '176, '177 (page 7-264) except that t<sub>r</sub> ≤ 15 ns, t<sub>f</sub> ≤ 6 ns, and V<sub>ref</sub> = 1.3 V (as opposed to 1.5 V)

**TEXAS INSTRUMENTS**  
INCORPORATED

POST OFFICE BOX 5012 • DALLAS, TEXAS 75222

7-335

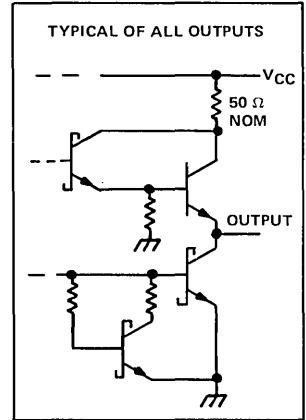
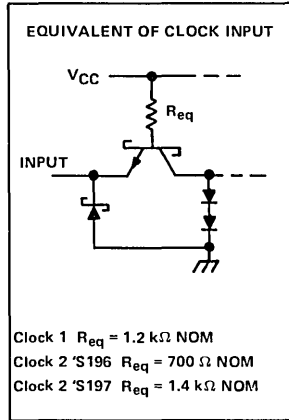
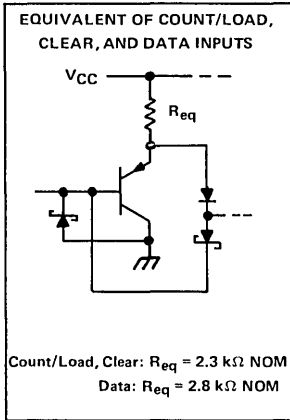
7



# TYPES SN54S196, SN54S197, SN74S196, SN74S197

## 100-MHZ PRESETTABLE DECADE AND BINARY COUNTERS/LATCHES

schematics of inputs and outputs



absolute maximum ratings over operating free-air temperature range (unless otherwise noted)

Supply voltage, $V_{CC}$ (see Note 1)	7 V
Input voltage	5.5 V
Operating free-air temperature range: SN54S196, SN54S197 Circuits	-55°C to 125°C
SN74S196, SN74S197 Circuits	0°C to 70°C
Storage temperature range	-65°C to 150°C

NOTE 1: Voltage values are with respect to network ground terminal.

recommended operating conditions

	SN54S196, SN54S197			SN74S196, SN74S197			UNIT
	MIN	NOM	MAX	MIN	NOM	MAX	
Supply voltage, $V_{CC}$	4.5	5	5.5	4.75	5	5.25	V
High-level output current, $I_{OH}$			-1			-1	mA
Low-level output current, $I_{OL}$			20			20	mA
Clock frequency	Clock-1 input	0	100	0		100	MHz
	Clock-2 input	0	50	0		50	
Pulse width, $t_w$	Clock-1 input	5		5			ns
	Clock-2 input	10		10			
	Clear	30		30			
	Load	5		5			
Input hold time, $t_h$	High-level data	3†		3†			ns
	Low-level data	3†		3†			
Input setup time, $t_{su}$	High-level data	6†		6†			ns
	Low-level data	6†		6†			
Count enable time, $t_{enable}$ (see Note 3)		12			12		ns
Operating free-air temperature, $T_A$		-55	125		0	70	°C

NOTE 3: Minimum count enable time is the interval immediately preceding the negative-going edge of the clock pulse during which interval the count/load and clear inputs are both high to permit counting.

# TYPES SN54S196, SN54S197, SN74S196, SN74S197

## 100-MHZ PRESETTABLE DECADE AND BINARY COUNTERS/LATCHES

electrical characteristics over recommended operating free-air temperature range (unless otherwise noted)

PARAMETER		TEST CONDITIONS†	SN54S196, SN74S196			SN54S197, SN74S197			UNIT
			MIN	TYP‡	MAX	MIN	TYP‡	MAX	
V <sub>IH</sub>	High-level input voltage		2			2			V
V <sub>IL</sub>	Low-level input voltage		0.8			0.8			V
V <sub>IK</sub>	Input clamp voltage	V <sub>CC</sub> = MIN, I <sub>I</sub> = -18 mA	-1.2			-1.2			V
V <sub>OH</sub>	High-level output voltage	V <sub>CC</sub> = MIN, V <sub>IH</sub> = 2 V, V <sub>IL</sub> = 0.8 V, I <sub>OH</sub> = -1 mA	54S 2.5	74S 3.4		2.5	3.4		V
V <sub>OL</sub>	Low-level output voltage	V <sub>CC</sub> = MIN, V <sub>IH</sub> = 2 V, V <sub>IL</sub> = 0.8 V, I <sub>OL</sub> = 20 mA¶	0.5			0.5			V
I <sub>I</sub>	Input current at maximum input voltage	V <sub>CC</sub> = MAX, V <sub>I</sub> = 5.5 V	1			1			mA
I <sub>IH</sub>	High-level input current	V <sub>CC</sub> = MAX, V <sub>I</sub> = 2.7 V	50			50			µA
I <sub>IL</sub>	Low-level input current	data, count/load clear	0.75			0.75			mA
		clock 1	-8			-8			mA
		clock 2	-10			-6			mA
I <sub>OS</sub>	Short-circuit output current§	V <sub>CC</sub> = MAX	-30	-110		-30	-110	mA	
I <sub>CC</sub>	Supply current	V <sub>CC</sub> = MAX, See Note 4	54S	75	110	75	110		mA
			74S	75	120	75	120		

NOTE 4: I<sub>CC</sub> is measured with all inputs grounded and all outputs open.

† For conditions shown as MIN or MAX, use the appropriate value specified under recommended operating conditions.

‡ All typical values are at V<sub>CC</sub> = 5 V, T<sub>A</sub> = 25°C.

¶ Q<sub>A</sub> outputs are tested at I<sub>OL</sub> = 20 mA plus the limit value of I<sub>IL</sub> for the clock-2 input. This permits driving the clock-2 input while fanning out to 10 Series 54S/74S loads.

§ Not more than one output should be shorted at a time, and duration of the short-circuit should not exceed one second.

switching characteristics, V<sub>CC</sub> = 5 V, T<sub>A</sub> = 25°C

PARAMETER◇	FROM (INPUT)	TO (OUTPUT)	TEST CONDITIONS	SN54S196, SN74S196			SN54S197, SN74S197			UNIT
				MIN	TYP	MAX	MIN	TYP	MAX	
f <sub>max</sub>	Clock 1	Q <sub>A</sub>	C <sub>L</sub> = 15 pF, R <sub>L</sub> = 280 Ω, See Note 7	100	140		100	140		MHz
t <sub>PLH</sub>	Clock 1	Q <sub>A</sub>		5	10		5	10		ns
t <sub>PHL</sub>				6	10		6	10		
t <sub>PLH</sub>	Clock 2	Q <sub>B</sub>		5	10		5	10		ns
t <sub>PHL</sub>				8	12		8	12		
t <sub>PLH</sub>	Clock 2	Q <sub>C</sub>		12	18		12	18		ns
t <sub>PHL</sub>				16	24		15	22		
t <sub>PLH</sub>	Clock 2	Q <sub>D</sub>		5	10		18	27		ns
t <sub>PHL</sub>				8	12		22	33		
t <sub>PLH</sub>	A, B, C, D	Q <sub>A</sub> , Q <sub>B</sub> , Q <sub>C</sub> , Q <sub>D</sub>		7	12		7	12		ns
t <sub>PHL</sub>				12	18		12	18		
t <sub>PLH</sub>	Load	Any		10	18		10	18		ns
t <sub>PHL</sub>				12	18		12	18		
t <sub>PHL</sub>	Clear	Any		26	37		26	37		ns

◇ f<sub>max</sub> = maximum input county frequency.

t<sub>PLH</sub> = propagation delay time, low-to-high-level output.

t<sub>PHL</sub> = propagation delay time, high-to-low-level output.

NOTE 7: Load circuit, input conditions, and voltage waveforms are the same as those shown for the '176, '177 on page 7-264.

description

These 8-bit shift registers are compatible with most other TTL, DTL, and MSI logic families. All inputs are buffered to lower the drive requirements to one normalized Series 54/74 load, and input clamping diodes minimize switching transients to simplify system design. Maximum input clock frequency is typically 35 megahertz and power dissipation is typically 360 mW.

Series 54 devices are characterized for operation over the full military temperature range of  $-55^{\circ}\text{C}$  to  $125^{\circ}\text{C}$ ; Series 74 devices are characterized for operation from  $0^{\circ}\text{C}$  to  $70^{\circ}\text{C}$ .

SN54198 and SN74198

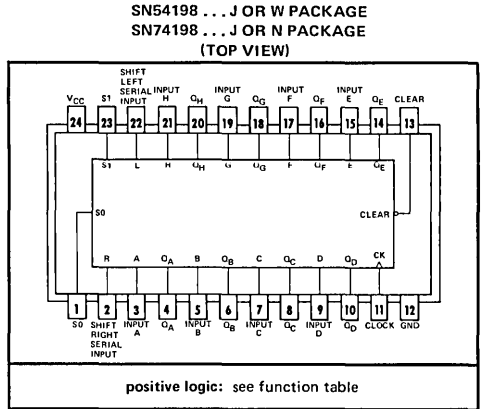
These bidirectional registers are designed to incorporate virtually all of the features a system designer may want in a shift register. These circuits contain 87 equivalent gates and feature parallel inputs, parallel outputs, right-shift and left-shift serial inputs, operating-mode control inputs, and a direct overriding clear line. The register has four distinct modes of operation, namely:

- Parallel (Broadside) Load
- Shift Right (In the direction  $Q_A$  toward  $Q_H$ )
- Shift Left (In the direction  $Q_H$  toward  $Q_A$ )
- Inhibit Clock (Do nothing)

Synchronous parallel loading is accomplished by applying the eight bits of data and taking both mode control inputs,  $S_0$  and  $S_1$ , high. The data is loaded into the associated flip-flop and appears at the outputs after the positive transition of the clock input. During loading, serial data flow is inhibited.

Shift right is accomplished synchronously with the rising edge of the clock pulse when  $S_0$  is high and  $S_1$  is low. Serial data for this mode is entered at the shift-right data input. When  $S_0$  is low and  $S_1$  is high, data shifts left synchronously and new data is entered at the shift-left serial input.

Clocking of the flip-flop is inhibited when both mode control inputs are low. The mode controls should be changed only while the clock input is high.



positive logic: see function table

'198

FUNCTION TABLE

CLEAR	MODE		CLOCK	SERIAL		PARALLEL	OUTPUTS				
	S <sub>1</sub>	S <sub>0</sub>		LEFT	RIGHT		A...H	Q <sub>A</sub>	Q <sub>B</sub>	... Q <sub>G</sub>	Q <sub>H</sub>
								L	L	L	L
L	X	X	X	X	X	X	L	L	L	L	
H	X	X	L	X	X	X	Q <sub>A0</sub>	Q <sub>B0</sub>	Q <sub>G0</sub>	Q <sub>H0</sub>	
H	H	H	↑	X	X	a...h	a	b	g	h	
H	L	H	↑	X	H	X	H	Q <sub>An</sub>	Q <sub>Fn</sub>	Q <sub>Gn</sub>	
H	L	H	↑	X	L	X	L	Q <sub>An</sub>	Q <sub>Fn</sub>	Q <sub>Gn</sub>	
H	H	L	↑	H	X	X	Q <sub>Bn</sub>	Q <sub>Cn</sub>	Q <sub>Hn</sub>	H	
H	H	L	↑	L	X	X	Q <sub>Bn</sub>	Q <sub>Cn</sub>	Q <sub>Hn</sub>	L	
H	L	L	X	X	X	X	Q <sub>A0</sub>	Q <sub>B0</sub>	Q <sub>G0</sub>	Q <sub>H0</sub>	

H = high level (steady state), L = low level (steady state)

X = irrelevant (any input, including transitions)

↑ = transition from low to high level

a...h = the level of steady-state input at inputs A thru H, respectively.

Q<sub>A0</sub>, Q<sub>B0</sub>, Q<sub>G0</sub>, Q<sub>H0</sub> = the level of Q<sub>A</sub>, Q<sub>B</sub>, Q<sub>G</sub>, or Q<sub>H</sub>, respectively, before the indicated steady-state input conditions were established.

Q<sub>An</sub>, Q<sub>Bn</sub>, etc. = the level of Q<sub>A</sub>, Q<sub>B</sub>, etc., respectively, before the most-recent ↑ transition of the clock.

# TYPES SN54199, SN74199 8-BIT SHIFT REGISTERS

## SN54199 and SN74199

These registers feature parallel inputs, parallel outputs, J-K serial inputs, shift/load control input, a direct overriding clear line, and gated clock inputs. The register has three modes of operation:

- Parallel (Broadside) Load
- Shift (In the direction  $Q_A$  toward  $Q_H$ )
- Inhibit Clock (Do nothing)

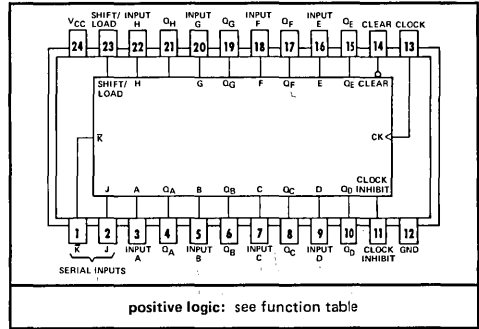
Parallel loading is accomplished by applying the eight bits of data and taking the shift/load control input low when the clock input is not inhibited. The data is loaded into the associated flip-flop and appears at the outputs after the positive transition of the clock input. During loading, serial data flow is inhibited.

Shifting is accomplished synchronously when shift/load is high and the clock input is not inhibited. Serial data for this mode is entered at the J-K inputs. See the function table for levels required to enter serial data into the first flip-flop.

Both of the clock inputs are identical in function and may be used interchangeably to serve as clock or clock-inhibit inputs. Holding either high inhibits clocking, but when one is held low, a clock input applied to the other input is passed to the eight flip-flops of the register. The clock-inhibit input should be changed to the high level only while the clock input is high.

These shift registers contain the equivalent of 79 TTL gates. Average power dissipation per gate is typically 4.55 mW.

SN54199 ... J OR W PACKAGE  
SN74199 ... J OR N PACKAGE  
(TOP VIEW)



'199  
FUNCTION TABLE

INPUTS						OUTPUTS			
CLEAR	SHIFT/ LOAD	CLOCK INHIBIT	CLOCK	SERIAL J K	PARALLEL A...H	$Q_A$	$Q_B$	$Q_C$	... $Q_H$
L	X	X	X	X X	X	L	L	L	L
H	X	L	L	X X	X	$Q_{A0}$	$Q_{B0}$	$Q_{C0}$	$Q_{H0}$
H	L	L	↑	X X	a...h	a	b	c	h
H	H	L	↑	L H	X	$Q_{A0}$	$Q_{A0}$	$Q_{Bn}$	$Q_{Gn}$
H	H	L	↑	L L	X	L	$Q_{An}$	$Q_{Bn}$	$Q_{Gn}$
H	H	L	↑	H H	X	H	$Q_{An}$	$Q_{Bn}$	$Q_{Gn}$
H	H	L	↑	H L	X	$\bar{Q}_{An}$	$Q_{An}$	$Q_{Bn}$	$Q_{Gn}$
H	X	H	↑	X X	X	$Q_{A0}$	$Q_{B0}$	$Q_{B0}$	$Q_{H0}$

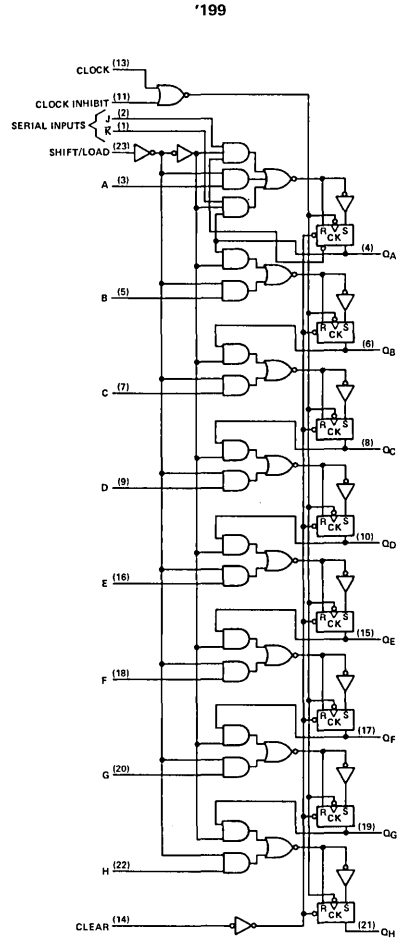
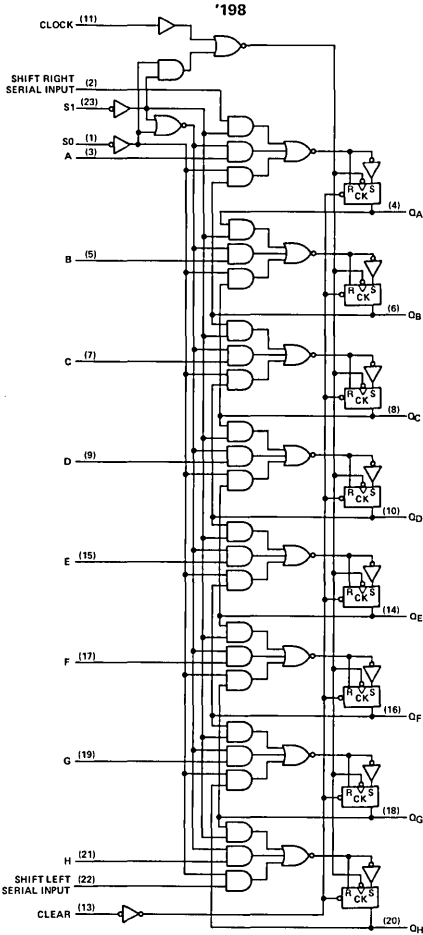
H = high level (steady state), L = low level (steady state)  
 X = irrelevant (any input, including transitions)  
 ↑ = transition from low to high level  
 a...h = the level of steady-state input at inputs A thru H, respectively.  
 $Q_{A0}, Q_{B0}, Q_{C0} \dots Q_{H0}$  = the level of  $Q_A, Q_B,$  or  $Q_C$  thru  $Q_H,$  respectively, before the indicated steady-state input conditions were established.  
 $Q_{An}, Q_{Bn} \dots Q_{Gn}$  = the level of  $Q_A$  or  $Q_B$  thru  $Q_G,$  respectively, before the most-recent ↑ transition of the clock.

7

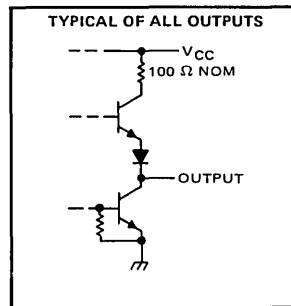
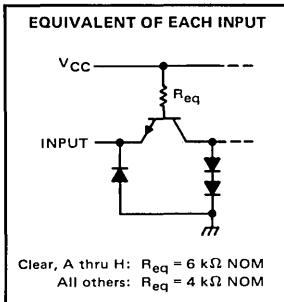
# TYPES SN54198, SN54199, SN74198, SN74199

## 8-BIT SHIFT REGISTERS

### functional block diagrams



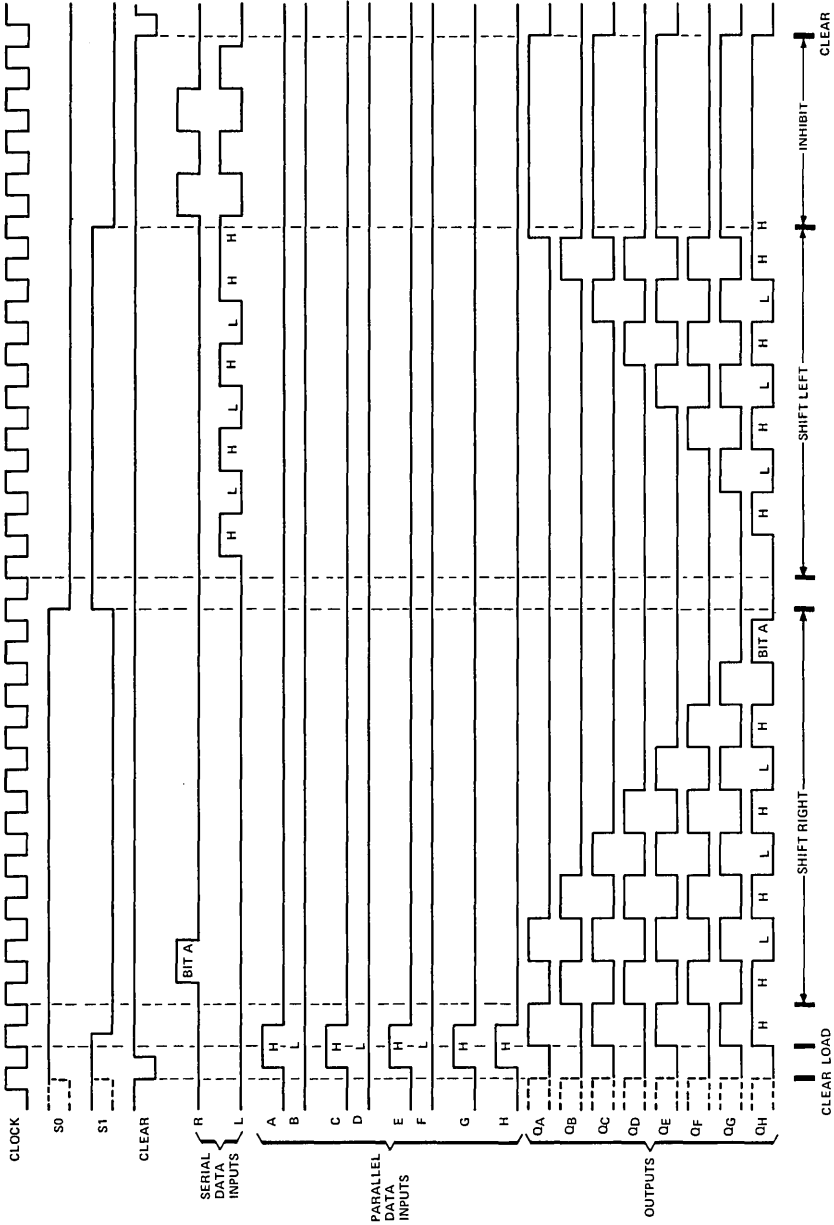
### schematics of inputs and outputs



# TYPES SN54198, SN74198 8-BIT SHIFT REGISTERS

SN54198, SN74198

typical clear, load, right-shift, left-shift, inhibit, and clear sequences

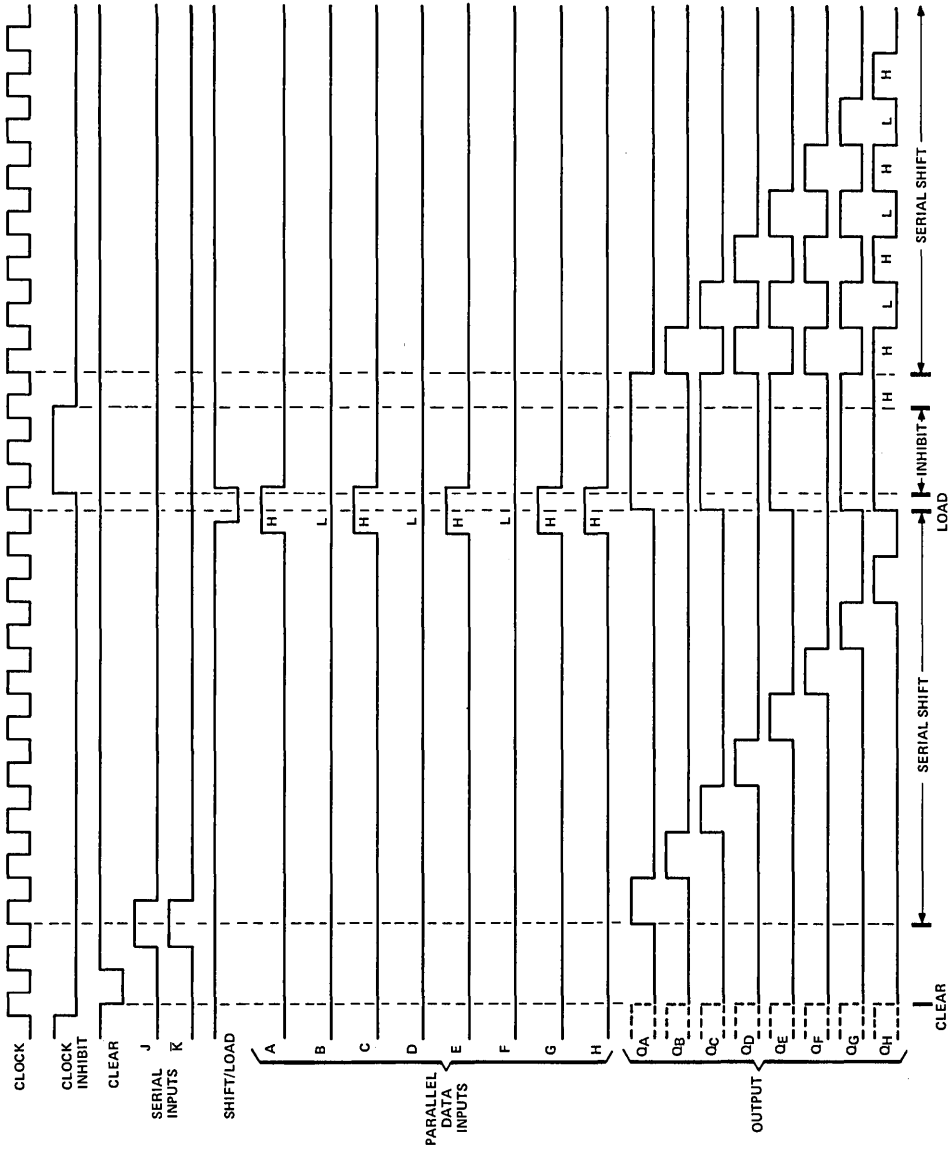


7

**TYPES SN54199, SN74199  
8-BIT SHIFT REGISTERS**

SN54199, SN74199

typical clear, shift, load, and inhibit sequences



7

# TYPES SN54198, SN54199, SN74198, SN74199

## 8-BIT SHIFT REGISTERS

REVISED AUGUST 1977

absolute maximum ratings over operating free-air temperature range (unless otherwise noted)

Supply voltage, $V_{CC}$ (see Note 1)	7 V
Input voltage	5.5 V
Operating free-air temperature range: SN54' Circuits	-55°C to 125°C
SN74' Circuits	0°C to 70°C
Storage temperature range	-65°C to 150°C

NOTE 1: Voltage values are with respect to network ground terminal.

recommended operating conditions

	SN54198 SN54199			SN74198 SN74199			UNIT
	MIN	NOM	MAX	MIN	NOM	MAX	
Supply voltage, $V_{CC}$	4.5	5	5.5	4.75	5	5.25	V
High-level output current, $I_{OH}$			-800			-800	$\mu$ A
Low-level output current, $I_{OL}$			16			16	mA
Clock frequency, $f_{clock}$	0		25	0		25	MHz
Width of clock or clear pulse, $t_w$ (see Figure 1)	20			20			ns
Mode-control setup time, $t_{SU}$	30			30			ns
Data setup time, $t_{SU}$ (see Figure 1)	20			20			ns
Hold time at any input, $t_H$ (see Figure 1)	0			0			ns
Operating free-air temperature, $T_A$	-55		125	0		70	°C

electrical characteristics over recommended operating free-air temperature range (unless otherwise noted)

PARAMETER	TEST CONDITIONS†	SN54198 SN54199			SN74198 SN74199			UNIT
		MIN	TYP‡	MAX	MIN	TYP‡	MAX	
$V_{IH}$ High-level input voltage			2			2		V
$V_{IL}$ Low-level input voltage				0.8			0.8	V
$V_{IK}$ Input clamp voltage	$V_{CC} = \text{MIN}, I_I = -12 \text{ mA}$			-1.5			-1.5	V
$V_{OH}$ High-level output voltage	$V_{CC} = \text{MIN}, V_{IH} = 2 \text{ V}, V_{IL} = 0.8 \text{ V}, I_{OH} = -800 \mu\text{A}$	2.4	3.4		2.4	3.4		V
$V_{OL}$ Low-level output voltage	$V_{CC} = \text{MIN}, V_{IH} = 2 \text{ V}, V_{IL} = 0.8 \text{ V}, I_{OL} = 16 \text{ mA}$		0.2	0.4		0.2	0.4	V
$I_I$ Input current at maximum input voltage	$V_{CC} = \text{MAX}, V_I = 5.5 \text{ V}$			1			1	mA
$I_{IH}$ High-level input current	$V_{CC} = \text{MAX}, V_I = 2.4 \text{ V}$			40			40	$\mu$ A
$I_{IL}$ Low-level input current	$V_{CC} = \text{MAX}, V_I = 0.4 \text{ V}$			-1.6			-1.6	mA
$I_{OS}$ Short-circuit output current‡	$V_{CC} = \text{MAX}$	-20		-57	-18		-57	mA
$I_{CC}$ Supply current	$V_{CC} = \text{MAX}$ , See Table Below		90	127		90	127	mA

†For conditions shown as MIN or MAX, use the appropriate value specified under recommended operating conditions.

‡All typical values are at  $V_{CC} = 5 \text{ V}, T_A = 25^\circ\text{C}$ .

§Not more than one output should be shorted at a time.

### TEST CONDITIONS FOR $I_{CC}$ (ALL OUTPUTS ARE OPEN)

TYPE	APPLY 4.5 V	FIRST GROUND, THEN APPLY 4.5 V	GROUND
SN54198, SN74198	Serial Input, $S_0, S_1$	Clock	Clear, Inputs A thru H
SN54199, SN74199	J, $\bar{K}$ , Inputs A thru H	Clock	Clock inhibit, Clear, Shift/Load

7



# TYPES SN54198, SN54199, SN74198, SN74199

## 8-BIT SHIFT REGISTERS

switching characteristics,  $V_{CC} = 5\text{ V}$ ,  $T_A = 25^\circ\text{C}$

PARAMETER	TEST CONDITIONS	MIN	TYP	MAX	UNIT
$f_{max}$ Maximum clock frequency	$C_L = 15\text{ pF}$ , $R_L = 400\ \Omega$ , See Figure 1	25	35		MHz
$t_{PHL}$ Propagation delay time, high-to-low-level output from clear			23	35	ns
$t_{PHL}$ Propagation delay time, high-to-low-level output from clock			20	30	ns
$t_{PLH}$ Propagation delay time, low-to-high-level output from clock			17	26	ns

### PARAMETER MEASUREMENT INFORMATION

SN54198, SN74198

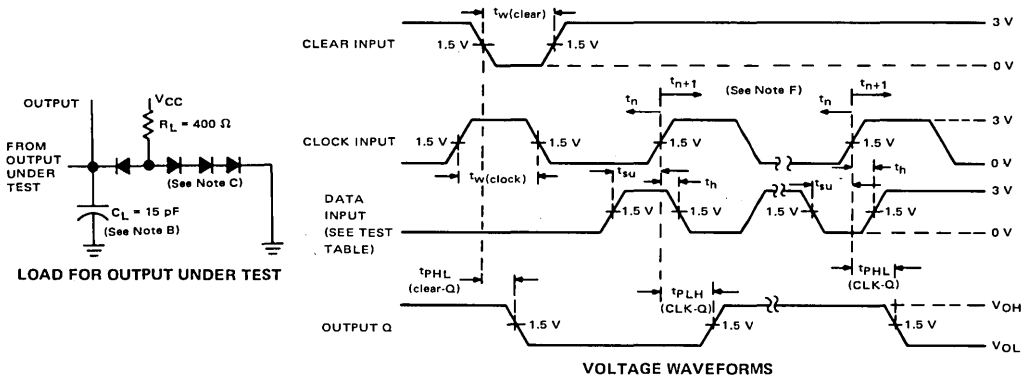
TEST TABLE FOR SYNCHRONOUS INPUTS

DATA INPUT FOR TEST	S1	S0	OUTPUT TESTED (SEE NOTE E)
A	4.5 V	4.5 V	$Q_A$ at $t_{n+1}$
B	4.5 V	4.5 V	$Q_B$ at $t_{n+1}$
C	4.5 V	4.5 V	$Q_C$ at $t_{n+1}$
D	4.5 V	4.5 V	$Q_D$ at $t_{n+1}$
E	4.5 V	4.5 V	$Q_E$ at $t_{n+1}$
F	4.5 V	4.5 V	$Q_F$ at $t_{n+1}$
G	4.5 V	4.5 V	$Q_G$ at $t_{n+1}$
H	4.5 V	4.5 V	$Q_H$ at $t_{n+1}$
L Serial Input	4.5 V	0 V	$Q_A$ at $t_{n+8}$
R Serial Input	0 V	4.5 V	$Q_H$ at $t_{n+8}$

SN54199, SN74199

TEST TABLE FOR SYNCHRONOUS INPUTS

DATA INPUT FOR TEST	SHIFT/LOAD	OUTPUT TESTED (SEE NOTE E)
A	0 V	$Q_A$ at $t_{n+1}$
B	0 V	$Q_B$ at $t_{n+1}$
C	0 V	$Q_C$ at $t_{n+1}$
D	0 V	$Q_D$ at $t_{n+1}$
E	0 V	$Q_E$ at $t_{n+1}$
F	0 V	$Q_F$ at $t_{n+1}$
G	0 V	$Q_G$ at $t_{n+1}$
H	0 V	$Q_H$ at $t_{n+1}$
J and $\bar{K}$	4.5 V	$Q_H$ at $t_{n+8}$



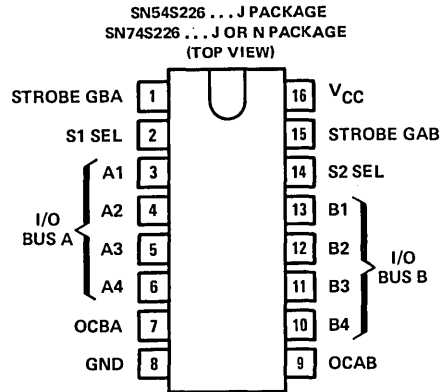
- NOTES: A. The clock pulse has the following characteristics:  $t_{w(\text{clock})} \geq 20\text{ ns}$  and  $\text{PRR} = 1\text{ MHz}$ . The clear pulse has the following characteristics:  $t_{w(\text{clear})} \geq 20\text{ ns}$  and  $t_{\text{hold}} = 0\text{ ns}$ . When testing  $f_{max}$ , vary the clock PRR.
- B.  $C_L$  includes probe and jig capacitance.
- C. All diodes are 1N3064.
- D. A clear pulse is applied prior to each test.
- E. Propagation delay times ( $t_{PLH}$  and  $t_{PHL}$ ) are measured at  $t_{n+1}$ . Proper shifting of data is verified at  $t_{n+8}$  with a functional test.
- F.  $t_n$  = bit time before clocking transition  
 $t_{n+1}$  = bit time after one clocking transition  
 $t_{n+8}$  = bit time after eight clocking transitions

FIGURE 1

# TYPES SN54S226, SN74S226 4-BIT PARALLEL LATCHED BUS TRANSCEIVERS

BULLETIN NO. DL-S 12477, OCTOBER 1976—REVISED AUGUST 1979

- Universal Transceivers for Implementing System Bus Controllers
- Dual-Rank 4-Bit Transparent Latches Provide:
  - Exchange of Data Between 2 Buses In One Clock Pulse
  - Bus-to-Bus Isolation
  - Rapid Data Transfer
  - Full Storage Capability
- Hysteresis at Data Inputs Enhances Noise Rejection
- Separate Output-Control Inputs Provide Independent Enable/Disable for Either Bus Output
- 3-State Outputs Drive Bus Lines Directly



**description**

These high-performance Schottky<sup>†</sup> TTL quadruple bus transceivers employ dual-rank bidirectional four-bit transparent latches and feature three-state outputs designed specifically for driving highly-capacitive or relatively low-impedance loads. The bus-management functions implemented and the high-impedance controls offered provide the designer with a controller/transceiver that interfaces and drives system bus-organized lines directly. They are particularly attractive for implementing:

- Bidirectional bus transceivers
- Data-bus controllers

The bus-management functions, under control of the function-select (S1, S2) inputs, provide complete data integrity for each of the four modes described in the function table. Directional transparency provides for routing data from or to either bus, and the dual store and dual readout capabilities can be used to perform the exchange of data between the two bus lines in the equivalent of a single clock pulse. Storage of data is accomplished by selecting the latch function, setting up the data, and taking the appropriate strobe input low. As long as the strobe is held high, the data is latched for the selected function. Further control is offered through the availability of independent output controls that can be used to enable or disable the outputs as shown in the output-control function table, regardless of the latch function in process. Store operations can be performed with the outputs disabled to a high impedance (Hi-Z). In the Hi-Z state the inputs/outputs neither load nor drive the bus lines significantly. The p-n-p inputs feature typically 400 millivolts of hysteresis to enhance noise rejection.

**BUS-MANAGEMENT FUNCTION TABLE**

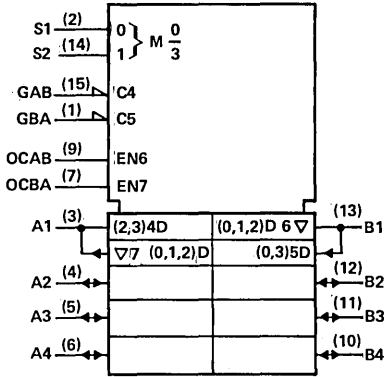
MODE CONTROLS		STROBES		A-TO-B LATCHES		B-TO-A LATCHES		OPERATION
S2	S1	GAB	GBA	1	2	1	2	
L	L	X	L	Latch	Trans	Trans	Trans	Pass B to A Read out stored data
L	H	X	X	Latch	Trans	Latch	Trans	Read out stored data
H	L	L	X	Trans	Trans	Latch	Trans	Pass A to B Read out stored data
H	H	L	L	Trans	Latch	Trans	Latch	Read in both buses Store bus data
		H	H	Latch	Latch	Latch	Latch	

H = high level    L = low level    X = irrelevant    Latch = latched    Trans = transparent

# TYPES SN54S226, SN74S226

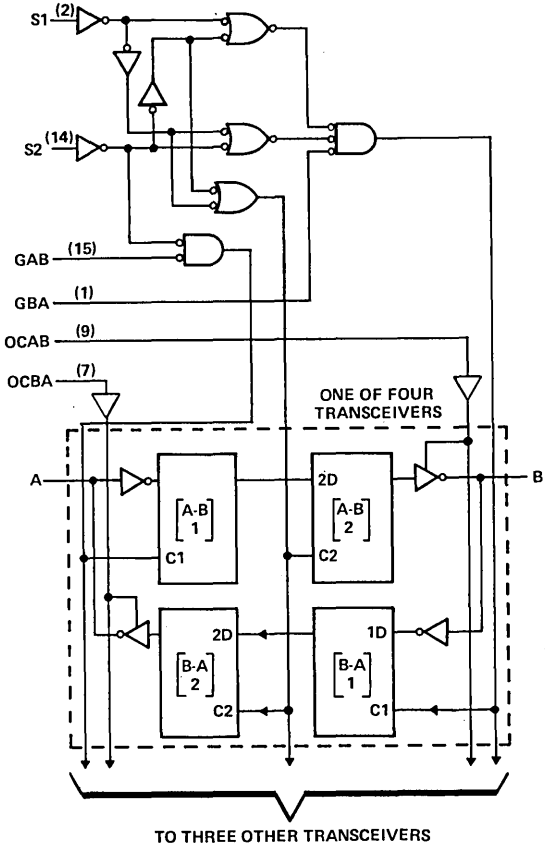
## 4-BIT PARALLEL LATCHED BUS TRANSCEIVERS

logic symbol<sup>†</sup>



<sup>†</sup>This symbol is in accordance with IEEE Std 91/ANSI Y32.14 and current discussions in IEC and IEEE.

functional block diagram (positive logic)



### absolute maximum ratings over operating free-air temperature range (unless otherwise noted)

Supply voltage, $V_{CC}$ (see Note 1)	7 V
Input voltage	5.5 V
Off-state output voltage	5.5 V
Operating free-air temperature range: SN54S226 (see Note 2)	-55°C to 125°C
SN74S226	0°C to 70°C
Storage temperature range	-65°C to 150°C

NOTES: 1. Voltage values are with respect to network ground terminal.

2. An SN54S226 in the J package operating at temperatures above 113°C requires a heat-sink that provides a thermal resistance from case to free air,  $R_{\theta CA}$ , of not more than 48°C/W.

# TYPES SN54S226, SN74S226

## 4-BIT PARALLEL LATCHED BUS TRANSCIEVERS

REVISED DECEMBER 1980

### recommended operating conditions

	SN54S226			SN74S226			UNIT
	MIN	NOM	MAX	MIN	NOM	MAX	
Supply voltage, $V_{CC}$	4.5	5	5.5	4.75	5	5.25	V
High-level output voltage, $V_{OH}$	5.5			5.5			V
High-level output current, $I_{OH}$	-6.5			-10.3			mA
Width of strobe pulse	30			20			ns
Setup time, $t_{SU}$	To Strobe	30†		20†		ns	
	To Select	30		20			
Hold time, $t_H$	To Strobe	0†		0†		ns	
	To Select	0		0			
Operating free-air temperature, $T_A$ (see Note 2)	-55		125	0		70	°C

† The arrow indicates that the low-to-high transition of the strobe input is used for reference.

### electrical characteristics over recommended operating free-air temperature range (unless otherwise noted)

PARAMETER		TEST CONDITIONS†	MIN	TYP‡	MAX	UNIT	
$V_{IH}$	High-level input voltage		2			V	
$V_{IL}$	Low-level input voltage				0.8	V	
$V_{IK}$	Input clamp voltage	$V_{CC} = \text{MIN}, I_I = -18 \text{ mA}$			-1.2	V	
$V_{OH}$	High-level output voltage	SN54S226	$V_{CC} = \text{MIN}, V_{IH} = 2 \text{ V},$ $V_{IL} = 0.8 \text{ V}, I_{OH} = \text{MAX}$		2.4 3.3	V	
		SN74S226			2.4 2.9		
$V_{OL}$	Low-level output voltage	$V_{CC} = \text{MIN}, V_{IH} = 2 \text{ V},$ $V_{IL} = 0.8 \text{ V}, I_{OL} = 15 \text{ mA}$			0.5	V	
$I_{OZH}$	Off-state output current, high-level voltage applied	$V_{CC} = \text{MAX}, V_{IH} = 2 \text{ V},$ $V_O = 2.4 \text{ V}$			100	µA	
$I_{OZL}$	Off-state output current, low-level voltage applied	$V_{CC} = \text{MAX}, V_{IH} = 2 \text{ V},$ $V_O = 0.5 \text{ V}$			-250	µA	
$I_I$	Input current at maximum input voltage	$V_{CC} = \text{MAX}, V_I = 5.5 \text{ V}$			1	mA	
$I_{IH}$	High-level input current	$V_{CC} = \text{MAX}, V_I = 2.7 \text{ V}$			100	µA	
$I_{IL}$	Low-level input current	OCAB, OCBA	$V_{CC} = \text{MAX}, V_I = 0.5 \text{ V}$		-0.38	mA	
		All other inputs			-1.6		
$I_{OS}$	Short-circuit output current §	$V_{CC} = \text{MAX}$	-50			-180	mA
$I_{CC}$	Supply current	$V_{CC} = \text{MAX},$ See Note 3			125	185	mA

† For conditions shown as MIN or MAX, use the appropriate value specified under recommended operating conditions.

‡ All typical values are at  $V_{CC} = 5 \text{ V}, T_A = 25^\circ \text{C}$ .

§ Not more than one output should be shorted at a time and duration of the short-circuit should not exceed one second.

NOTES: 2. An SN54S226 in the J package operating at temperatures above  $113^\circ \text{C}$  requires a heat-sink that provides a thermal resistance from case to free air,  $R_{\theta CA}$ , of not more than  $48^\circ \text{C/W}$ .

3.  $I_{CC}$  is measured with all inputs (and outputs) grounded.

7

# TYPES SN54S226, SN74S226

## 4-BIT PARALLEL LATCHED BUS TRANSCEIVERS

switching characteristics,  $V_{CC} = 5\text{ V}$ ,  $T_A = 25^\circ\text{C}$

PARAMETER	FROM (INPUT)	TO (OUTPUT)	TEST CONDITIONS	MIN	TYP	MAX	UNIT
$t_{PLH}$	A or B	B or A	$C_L = 50\text{ pF}$ , $R_L = 280\ \Omega$ , See Note 4		20	30	ns
$t_{PHL}$					15	30	
$t_{PLH}$	Select	Any			25	37	ns
$t_{PHL}$					19	30	
$t_{PLH}$	Strobe GBA or GAB	A or B			25	37	ns
$t_{PHL}$					19	30	
$t_{PZH}$	Output Control	A or B			12	20	ns
$t_{PZL}$	OCBA or OCAB				12	20	
$t_{PHZ}$	Output Control	A or B	$C_L = 5\text{ pF}$ , $R_L = 280\ \Omega$ , See Note 4		10	15	ns
$t_{PLZ}$	OCBA or OCAB				10	15	

$t_{PLH}$   $\equiv$  propagation delay time, low-to-high-level output

$t_{PHL}$   $\equiv$  propagation delay time, high-to-low level

$t_{PZH}$   $\equiv$  output enable time to high level

$t_{PZL}$   $\equiv$  output enable time to low level

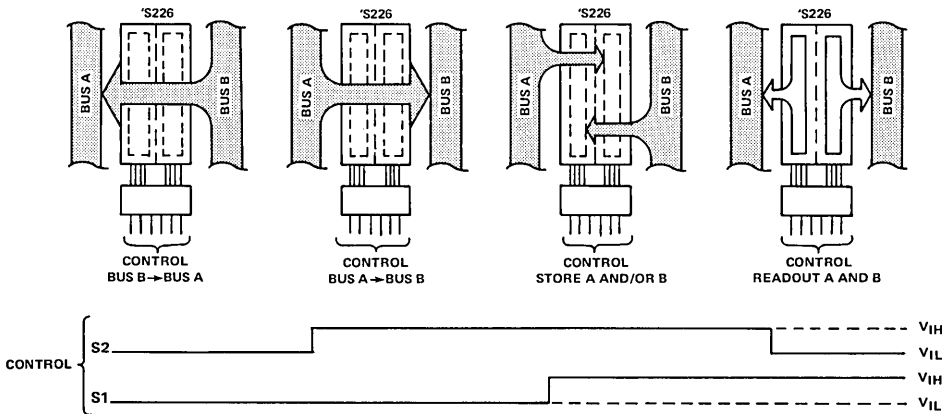
$t_{PHZ}$   $\equiv$  output disable time from high level

$t_{PLZ}$   $\equiv$  output disable time from low level

NOTE 4: Load circuits and voltage waveforms are shown on page 3-11.

### applications

The following examples demonstrate four fundamental bus-management functions that can be performed with the 'S226. Exchange of data on the two bus lines can be accomplished with a single high-to-low transition at S2 when S1 is high.



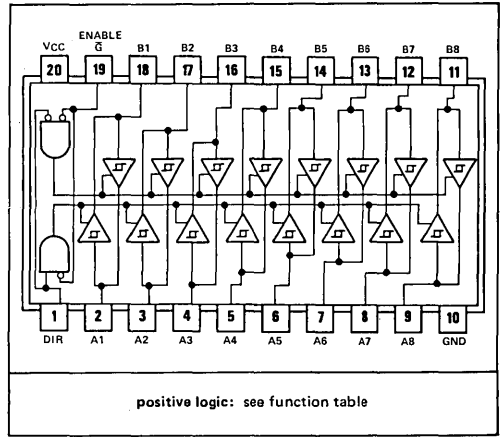
# TYPES SN54LS245, SN74LS245 OCTAL BUS TRANSCEIVERS WITH 3-STATE OUTPUTS

BULLETIN NO. DL-S 12471, OCTOBER 1976—REVISED FEBRUARY 1979

- Bi-directional Bus Transceiver in a High-Density 20-Pin Package
- 3-State Outputs Drive Bus Lines Directly
- P-N-P Inputs Reduce D-C Loading on Bus Lines
- Hysteresis at Bus Inputs Improve Noise Margins
- Typical Propagation Delay Times, Port-to-Port . . . 8 ns
- Typical Enable/Disable Times . . . 17 ns

TYPE	I <sub>OL</sub> (SINK CURRENT)	I <sub>OH</sub> (SOURCE CURRENT)
SN54LS245	12 mA	-12 mA
SN74LS245	24 mA	-15 mA

SN54LS245 . . . J PACKAGE  
SN74LS245 . . . J OR N PACKAGE  
(TOP VIEW)



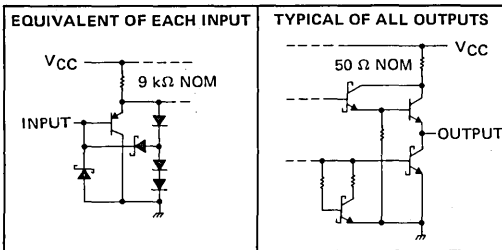
## description

These octal bus transceivers are designed for asynchronous two-way communication between data buses. The control function implementation minimizes external timing requirements.

The device allows data transmission from the A bus to the B bus or from the B bus to the A bus depending upon the logic level at the direction control (DIR) input. The enable input ( $\bar{G}$ ) can be used to disable the device so that the buses are effectively isolated.

The SN54LS245 is characterized for operation over the full military temperature range of  $-55^{\circ}\text{C}$  to  $125^{\circ}\text{C}$ . The SN74LS245 is characterized for operation from  $0^{\circ}\text{C}$  to  $70^{\circ}\text{C}$ .

## schematics of inputs and outputs



FUNCTION TABLE

ENABLE $\bar{G}$	DIRECTION CONTROL DIR	OPERATION
L	L	B data to A bus
L	H	A data to B bus
H	X	Isolation

H = high level, L = low level, X = irrelevant

## absolute maximum ratings over operating free-air temperature range (unless otherwise noted)

Supply voltage, $V_{CC}$ (see Note 1)	7 V
Input voltage	7 V
Off-state output voltage	5.5 V
Operating free-air temperature range: SN54LS'	$-55^{\circ}\text{C}$ to $125^{\circ}\text{C}$
SN74LS'	$0^{\circ}\text{C}$ to $70^{\circ}\text{C}$
Storage temperature range	$-65^{\circ}\text{C}$ to $150^{\circ}\text{C}$

NOTE 1: Voltage values are with respect to network ground terminal.

Copyright © 1979 by Texas Instruments Incorporated

TEXAS INSTRUMENTS  
INCORPORATED

POST OFFICE BOX 225012 • DALLAS, TEXAS 75265

# TYPES SN54LS245, SN74LS245

## OCTAL BUS TRANSCEIVERS WITH 3-STATE OUTPUTS

REVISED FEBRUARY 1979

### recommended operating conditions

PARAMETER	SN54LS245			SN74LS245			UNIT
	MIN	NOM	MAX	MIN	NOM	MAX	
Supply voltage, $V_{CC}$	4.5	5	5.5	4.75	5	5.25	V
High-level output current, $I_{OH}$			-12			-15	mA
Low-level output current, $I_{OL}$			12			24	mA
Operating free-air temperature, $T_A$	-55		125	0		70	°C

### electrical characteristics over recommended operating free-air temperature range (unless otherwise noted)

PARAMETER	TEST CONDITIONS†	SN54LS245			SN74LS245			UNIT
		MIN	TYP‡	MAX	MIN	TYP‡	MAX	
$V_{IH}$ High-level input voltage		2			2			V
$V_{IL}$ Low-level input voltage				0.7			0.8	V
$V_{IK}$ Input clamp voltage	$V_{CC} = \text{MIN}, I_I = -18 \text{ mA}$			-1.5			-1.5	V
Hysteresis ( $V_{T+} - V_{T-}$ ) A or B input	$V_{CC} = \text{MIN}$	0.2	0.4		0.2	0.4		V
$V_{OH}$ High-level output voltage	$V_{CC} = \text{MIN}, V_{IH} = 2 \text{ V}, V_{IL} = V_{IL \text{ max}}$	$I_{OH} = -3 \text{ mA}$	2.4	3.4	2.4	3.4		V
		$I_{OH} = \text{MAX}$	2		2			
$V_{OL}$ Low-level output voltage	$V_{CC} = \text{MIN}, V_{IH} = 2 \text{ V}, V_{IL} = V_{IL \text{ max}}$	$I_{OL} = 12 \text{ mA}$		0.4		0.4		V
		$I_{OL} = 24 \text{ mA}$				0.5		
$I_{OZH}$ Off-state output current, high-level voltage applied	$V_{CC} = \text{MAX}, \bar{G} \text{ at } 2 \text{ V}$	$V_O = 2.7 \text{ V}$		20		20		$\mu\text{A}$
$I_{OZL}$ Off-state output current, low-level voltage applied		$V_O = 0.4 \text{ V}$		-200		-200		
$I_I$ Input current at maximum input voltage	A or B	$V_{CC} = \text{MAX}$	$V_I = 5.5 \text{ V}$	0.1		0.1		mA
	DIR or $\bar{G}$		$V_I = 7 \text{ V}$	0.1		0.1		
$I_{IH}$ High-level input current	$V_{CC} = \text{MAX}, V_{IH} = 2.7 \text{ V}$		20		20		$\mu\text{A}$	
$I_{IL}$ Low-level input current	$V_{CC} = \text{MAX}, V_{IL} = 0.4 \text{ V}$		-0.2		-0.2		mA	
$I_{OS}$ Short-circuit output current¶	$V_{CC} = \text{MAX}$	-40	-225		-40	-225		mA
$I_{CC}$ Supply current	Total, outputs high	$V_{CC} = \text{MAX},$ Outputs open		48	70	48	70	mA
	Total, outputs low			62	90	62	90	
	Outputs at Hi-Z			64	95	64	95	

† For conditions shown as MIN or MAX, use the appropriate value specified under recommended operating conditions.

‡ All typical values are at  $V_{CC} = 5 \text{ V}, T_A = 25^\circ \text{C}$ .

¶ Not more than one output should be shorted at a time, and duration of the short-circuit should not exceed one second.

### switching characteristics, $V_{CC} = 5 \text{ V}, T_A = 25^\circ \text{C}$

PARAMETER	TEST CONDITIONS	MIN	TYP	MAX	UNIT
$t_{PLH}$ Propagation delay time, low-to-high-level output	$C_L = 45 \text{ pF}, R_L = 667 \Omega, \text{ See Note 2}$		8	12	ns
$t_{PHL}$ Propagation delay time, high-to-low-level output			8	12	ns
$t_{PZL}$ Output enable time to low level			27	40	ns
$t_{PZH}$ Output enable time to high level			25	40	ns
$t_{PLZ}$ Output disable time from low level	$C_L = 5 \text{ pF}, R_L = 667 \Omega, \text{ See Note 2}$		15	25	ns
$t_{PHZ}$ Output disable time from high level			15	25	ns

NOTE 2: Load circuit and waveforms are shown on page 1-15.

TEXAS INSTRUMENTS  
INCORPORATED

POST OFFICE BOX 225012 • DALLAS, TEXAS 75265

# TYPES SN54246 THRU SN54249, SN54LS247 THRU SN54LS249, SN74246 THRU SN74249, SN74LS247 THRU SN74LS249 BCD-TO-SEVEN-SEGMENT DECODERS/DRIVERS

BULLETIN NO. DL-S 7612078, MARCH 1974—REVISED OCTOBER 1976

'246, '247, 'LS247  
feature

'248, 'LS248  
feature

'249, 'LS249  
feature

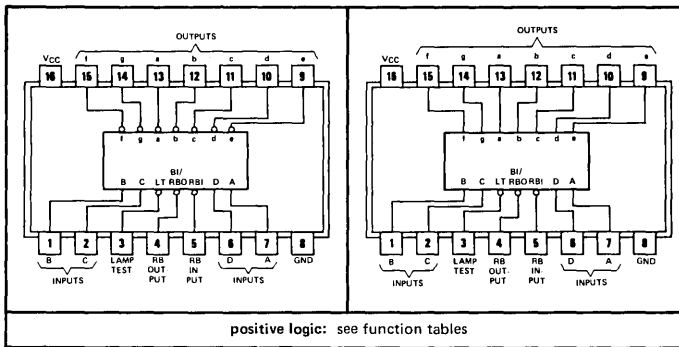
- Open-Collector Outputs Drive Indicators Directly
- Lamp-Test Provision
- Leading/Trailing Zero Suppression
- Internal Pull-Ups Eliminate Need for External Resistors
- Lamp-Test Provision
- Leading/Trailing Zero Suppression
- Open-Collector Outputs
- Lamp-Test Provision
- Leading/Trailing Zero Suppression

• All Circuit Types Feature Lamp Intensity Modulation Capability

TYPE	DRIVER OUTPUTS				TYPICAL POWER DISSIPATION	PACKAGES
	ACTIVE LEVEL	OUTPUT CONFIGURATION	SINK CURRENT	MAX VOLTAGE		
SN54246	low	open-collector	40 mA	30 V	320 mW	J, W
SN54247	low	open-collector	40 mA	15 V	320 mW	J, W
SN54248	high	2-k $\Omega$ pull-up	6.4 mA	5.5 V	265 mW	J, W
SN54249	high	open-collector	10 mA	5.5 V	265 mW	J, W
SN54LS247	low	open-collector	12 mA	15 V	35 mW	J, W
SN54LS248	high	2-k $\Omega$ pull-up	2 mA	5.5 V	125 mW	J, W
SN54LS249	high	open-collector	4 mA	5.5 V	40 mW	J, W
SN74246	low	open-collector	40 mA	30 V	320 mW	J, N
SN74247	low	open-collector	40 mA	15 V	320 mW	J, N
SN74248	high	2-k $\Omega$ pull-up	6.4 mA	5.5 V	265 mW	J, N
SN74249	high	open-collector	10 mA	5.5 V	265 mW	J, N
SN74LS247	low	open-collector	24 mA	15 V	35 mW	J, N
SN74LS248	high	2-k $\Omega$ pull-up	6 mA	5.5 V	125 mW	J, N
SN74LS249	high	open-collector	8 mA	5.5 V	40 mW	J, N

'246, '247, 'LS247  
(TOP VIEW)

'248, '249, 'LS248, 'LS249  
(TOP VIEW)



### description

The '246 through '248 are electrically and functionally identical to the SN5446A/SN7446A, SN5447A/SN7447A, and SN5448/SN7448, respectively, and have the same pin assignments as their equivalents. Also the 'LS247 and 'LS248 are electrically and functionally identical to the SN54LS47/SN74LS47 and SN54LS48/SN74LS48, respectively, and have the same pin assignments as their equivalents. They can be used interchangeably in present or future designs to offer designers a choice between two indicator fonts. The '249 and 'LS249 are 16-pin versions of the 14-pin SN5449 and SN54LS49/SN74LS49, respectively. Included in the '249 and 'LS249 circuits is the full functional capability for lamp test and ripple blanking, which is not available in the '49 and 'LS49 circuits. The '46A, '47A, '48, '49, 'LS47, 'LS48, and 'LS49 compose the  $\square$  and the  $\square$  without tails and the '246 through '249 and 'LS247, 'LS248, and 'LS249



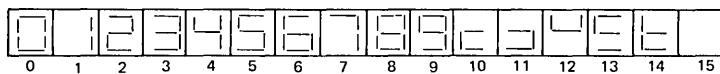
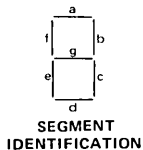
# TYPES SN54246 THRU SN54249, SN54LS247 THRU SN54LS249, SN74246 THRU SN74249, SN74LS247 THRU SN74LS249 BCD-TO-SEVEN-SEGMENT DECODERS/DRIVERS

description (continued)

compose the  $\overline{6}$  and the  $\overline{9}$  with tails. Composition of all other characters, including display patterns for BCD inputs above nine, is identical. The '246, '247, and 'LS247 feature active-low outputs designed for driving indicators directly, and the '248, '249, 'LS248, and 'LS249 feature active-high outputs for driving lamp buffers. All of the circuits have full ripple-blanking input/output controls and a lamp test input. Segment identification and resultant displays are shown below. Display patterns for BCD input counts above 9 are unique symbols to authenticate input conditions.

All of these circuits incorporate automatic leading and/or trailing-edge zero-blanking control (RBI and RBO). Lamp test (LT) of these types may be performed at any time when the BI/RBO node is at a high level. All types contain an overriding blanking input (BI) which can be used to control the lamp intensity by pulsing or to inhibit the outputs. Inputs and outputs are entirely compatible for use with TTL or DTL logic outputs.

Series 54 and Series 54LS devices are characterized for operation over the full military temperature range of  $-55^{\circ}\text{C}$  to  $125^{\circ}\text{C}$ ; Series 74 and Series 74LS devices are characterized for operation from  $0^{\circ}\text{C}$  to  $70^{\circ}\text{C}$ .



NUMERICAL DESIGNATIONS AND RESULTANT DISPLAYS

'246, '247, 'LS247  
FUNCTION TABLE

DECIMAL OR FUNCTION	INPUTS						BI/RBO†	OUTPUTS							NOTE
	LT	RBI	D	C	B	A		a	b	c	d	e	f	g	
0	H	H	L	L	L	L	H	ON	ON	ON	ON	ON	ON	OFF	
1	H	X	L	L	L	H	H	OFF	ON	ON	OFF	OFF	OFF	OFF	
2	H	X	L	L	H	L	H	ON	ON	OFF	ON	ON	OFF	ON	
3	H	X	L	L	H	H	H	ON	ON	ON	ON	OFF	OFF	ON	
4	H	X	L	H	L	L	H	OFF	ON	ON	OFF	OFF	ON	ON	
5	H	X	L	H	L	H	H	ON	OFF	ON	ON	OFF	ON	ON	
6	H	X	L	H	H	L	H	ON	OFF	ON	ON	ON	ON	ON	
7	H	X	L	H	H	H	H	ON	ON	ON	OFF	OFF	OFF	OFF	
8	H	X	H	L	L	L	H	ON	ON	ON	ON	ON	ON	ON	
9	H	X	H	L	L	H	H	ON	ON	ON	ON	OFF	ON	ON	
10	H	X	H	L	H	L	H	OFF	OFF	OFF	ON	ON	OFF	ON	
11	H	X	H	L	H	H	H	OFF	OFF	ON	ON	OFF	OFF	ON	
12	H	X	H	H	L	L	H	OFF	ON	OFF	OFF	OFF	ON	ON	
13	H	X	H	H	L	H	H	ON	OFF	OFF	ON	OFF	ON	ON	
14	H	X	H	H	H	L	H	OFF	OFF	OFF	ON	ON	ON	ON	
15	H	X	H	H	H	H	H	OFF	OFF	OFF	OFF	OFF	OFF	OFF	
BI	X	X	X	X	X	X	L	OFF	OFF	OFF	OFF	OFF	OFF	OFF	2
RBI	H	L	L	L	L	L	L	OFF	OFF	OFF	OFF	OFF	OFF	OFF	3
LT	L	X	X	X	X	X	H	ON	ON	ON	ON	ON	ON	ON	4

H = high level, L = low level, X = irrelevant

- NOTES: 1. The blanking input (BI) must be open or held at a high logic level when output functions 0 through 15 are desired. The ripple-blanking input (RBI) must be open or high if blanking of a decimal zero is not desired.  
2. When a low logic level is applied directly to the blanking input (BI), all segment outputs are off regardless of the level of any other input.  
3. When ripple-blanking input (RBI) and inputs A, B, C, and D are at a low level with the lamp test input high, all segment outputs go off and the ripple-blanking output (RBO) goes to a low level (response condition).  
4. When the blanking input/ripple blanking output (BI/RBO) is open or held high and a low is applied to the lamp-test input, all segment outputs are on.

†BI/RBO is wire-AND logic serving as blanking input (BI) and/or ripple-blanking output (RBO).

# TYPES SN54246 THRU SN54249, SN54LS247 THRU SN54LS249, SN74246 THRU SN74249, SN74LS247 THRU SN74LS249 BCD-TO-SEVEN-SEGMENT DECODERS/DRIVERS

'248, '249, 'LS248, 'LS249  
FUNCTION TABLE

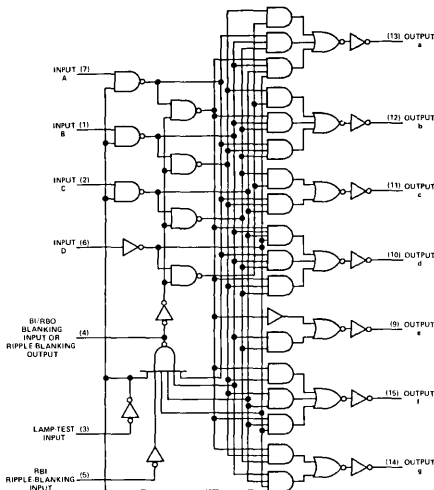
DECIMAL OR FUNCTION	INPUTS						BI/RBO†	OUTPUTS							NOTE
	LT	RBI	D	C	B	A		a	b	c	d	e	f	g	
0	H	H	L	L	L	L	H	H	H	H	H	H	L	1	
1	H	X	L	L	L	H	H	L	H	L	L	L	L	1	
2	H	X	L	L	H	L	H	H	H	L	H	H	L	H	
3	H	X	L	L	H	H	H	H	H	H	H	L	H	H	
4	H	X	L	H	L	L	H	L	H	H	L	L	H	H	
5	H	X	L	H	L	H	H	H	L	H	H	L	H	H	
6	H	X	L	H	H	L	H	H	L	H	H	L	H	H	
7	H	X	L	H	H	H	H	H	H	H	L	L	L	1	
8	H	X	H	L	L	L	H	H	H	H	H	H	H	H	
9	H	X	H	L	L	H	H	H	H	H	L	H	H	H	
10	H	X	H	L	H	L	H	L	L	L	H	H	L	H	
11	H	X	H	L	H	H	H	L	L	H	H	L	L	H	
12	H	X	H	H	L	L	H	L	H	L	L	L	H	H	
13	H	X	H	H	L	H	H	H	L	L	H	L	H	H	
14	H	X	H	H	H	L	H	L	L	L	H	H	H	H	
15	H	X	H	H	H	H	H	L	L	L	L	L	L	L	
BI	X	X	X	X	X	X	L	L	L	L	L	L	L	2	
RBI	H	L	L	L	L	L	L	L	L	L	L	L	L	3	
LT	L	X	X	X	X	X	H	H	H	H	H	H	H	4	

H = high level, L = low level, X = irrelevant

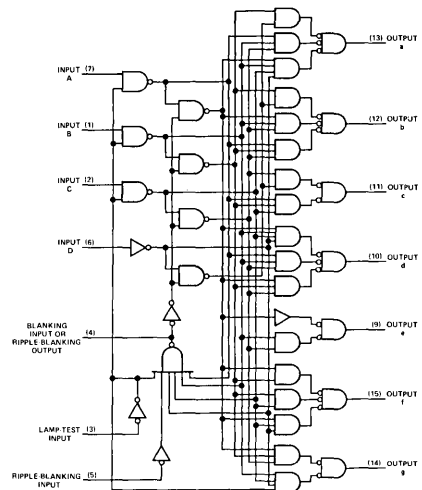
- NOTES: 1. The blanking input (BI) must be open or held at a high logic level when output functions 0 through 15 are desired. The ripple-blanking input (RBI) must be open or high if blanking of a decimal zero is not desired.
2. When a low logic level is applied directly to the blanking input (BI), all segment outputs are low regardless of the level of any other input.
3. When ripple-blanking input (RBI) and inputs A, B, C, and D are at a low level with the lamp test input high, all segment outputs go low and the ripple-blanking output (RBO) goes to a low level (response condition).
4. When the blanking input/ripple-blanking output (BI/RBO) is open or held high and a low is applied to the lamp-test input, all segment outputs are high.

† BI/RBO is wire-AND logic serving as blanking input (BI) and/or ripple-blanking output (RBO).

'246, '247, 'LS247



'248, '249, 'LS248, 'LS249

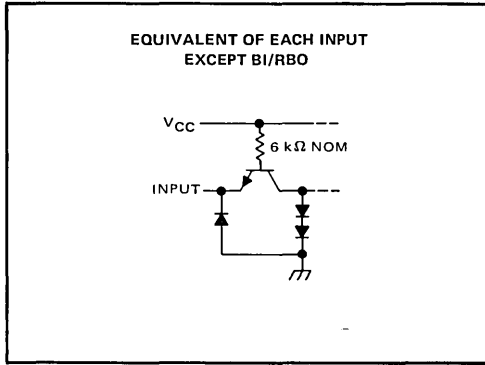


# TYPES SN54246 THRU SN54249, SN74246 THRU SN74249

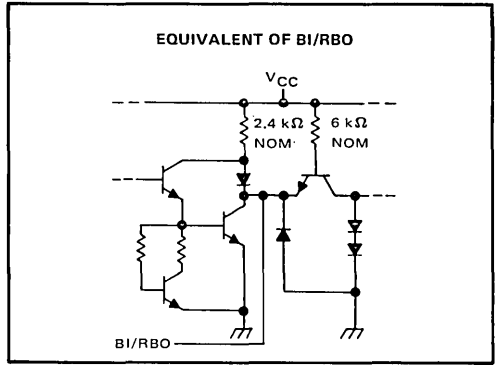
## BCD-TO-SEVEN-SEGMENT DECODERS/DRIVERS

schematics of inputs and outputs

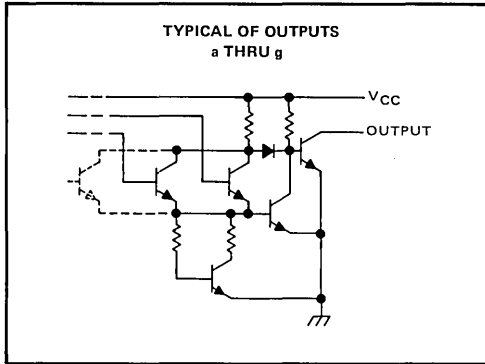
'246, '247, '248, '249



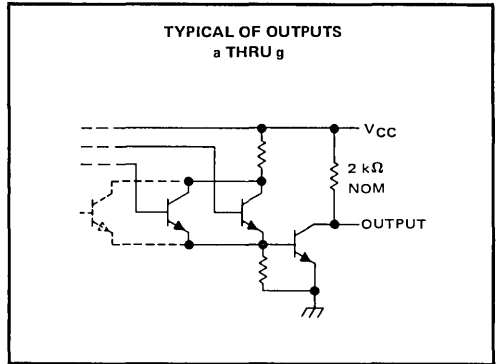
'246, '247, '248, '249



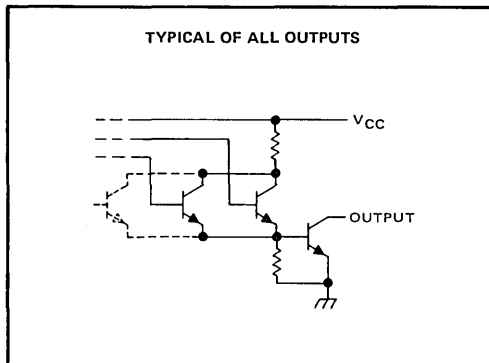
'246, '247



'248



'249

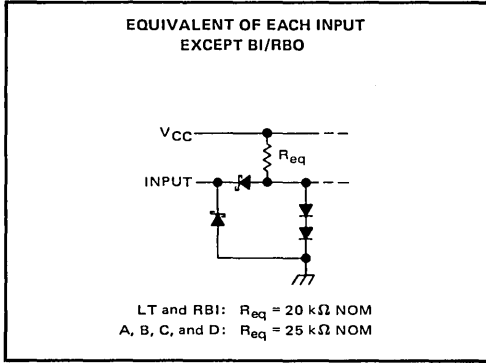


7

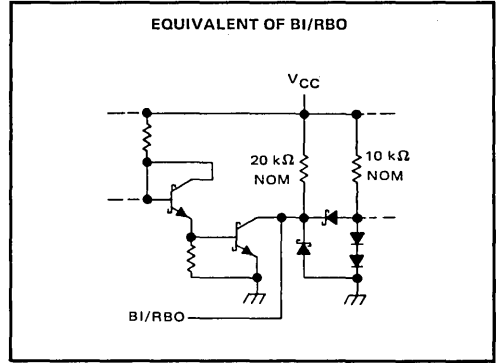
# TYPES SN54LS247 THRU SN54LS249, SN74LS247 THRU SN74LS249 BCD-TO-SEVEN-SEGMENT DECODERS/DRIVERS

## schematics of inputs and outputs

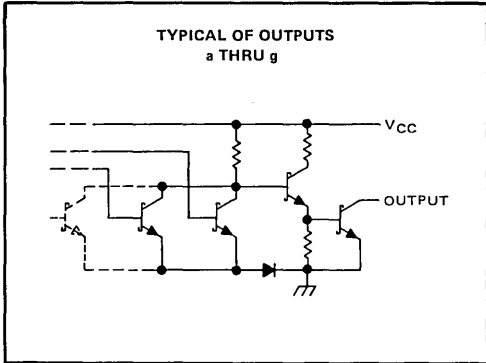
'LS247, 'LS248, 'LS249



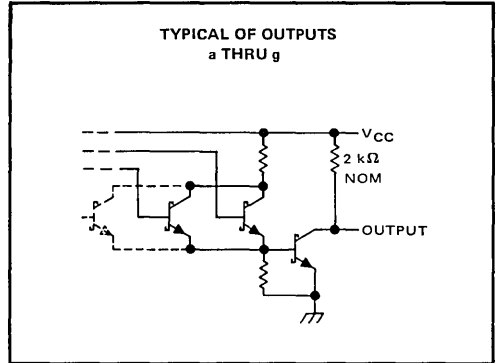
'LS247, 'LS248, 'LS249



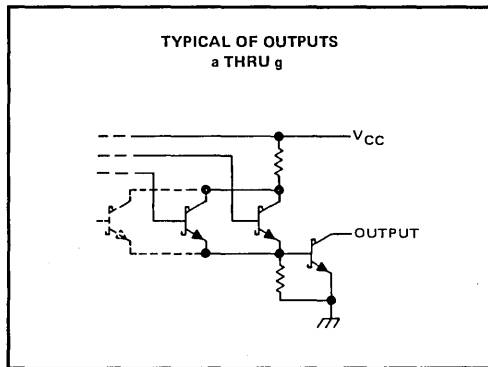
'LS247



'LS248



'LS249



# TYPES SN54246, SN54247, SN74246, SN74247

## BCD-TO-SEVEN-SEGMENT DECODERS/DRIVERS

REVISED MARCH 1974

### absolute maximum ratings over operating free-air temperature range (unless otherwise noted)

Supply voltage, $V_{CC}$ (see Note 1)	7 V
Input voltage	5.5 V
Current forced into any output in the off state	1 mA
Operating free-air temperature range: SN54246, SN54247	-55°C to 125°C
SN74246, SN74247	0°C to 70°C
Storage temperature range	-65°C to 150°C

NOTE 1: Voltage values are with respect to network ground terminal.

### recommended operating conditions

	SN54246			SN54247			SN74246			SN74247			UNIT
	MIN	NOM	MAX	MIN	NOM	MAX	MIN	NOM	MAX	MIN	NOM	MAX	
Supply voltage, $V_{CC}$	4.5	5	5.5	4.5	5	5.5	4.75	5	5.25	4.75	5	5.25	V
Off-state output voltage, $V_{O(off)}$	a thru g			30			15			30			15
On-state output current, $I_{O(on)}$	a thru g			40			40			40			40
High-level output current, $I_{OH}$	BI/RBO			-200			-200			-200			-200
Low-level output current, $I_{OL}$	BI/RBO			8			8			8			8
Operating free-air temperature, $T_A$	-55			125			-55			125			0
													70
													0
													70

### electrical characteristics over recommended operating free-air temperature range (unless otherwise noted)

PARAMETER		TEST CONDITIONS†	MIN	TYP‡	MAX	UNIT
$V_{IH}$	High-level input voltage		2			V
$V_{IL}$	Low-level input voltage				0.8	V
$V_{IK}$	Input clamp voltage	$V_{CC} = \text{MIN}, I_I = -12 \text{ mA}$			1.5	V
$V_{OH}$	High-level output voltage	BI/RBO $V_{CC} = \text{MIN}, V_{IH} = 2 \text{ V}, V_{IL} = 0.8 \text{ V}, I_{OH} = -200 \mu\text{A}$	2.4	3.7		V
$V_{OL}$	Low-level output voltage	BI/RBO $V_{CC} = \text{MIN}, V_{IH} = 2 \text{ V}, V_{IL} = 0.8 \text{ V}, I_{OL} = 8 \text{ mA}$	0.27	0.4		V
$I_{O(off)}$	Off-state output current	a thru g $V_{CC} = \text{MAX}, V_{IH} = 2 \text{ V}, V_{IL} = 0.8 \text{ V}, V_{O(off)} = \text{MAX}$			250	$\mu\text{A}$
$V_{O(on)}$	On-state output voltage	a thru g $V_{CC} = \text{MIN}, V_{IH} = 2 \text{ V}, V_{IL} = 0.8 \text{ V}, I_{O(on)} = 40 \text{ mA}$	0.3	0.4		V
$I_I$	Input current at maximum input voltage	Any input except BI/RBO $V_{CC} = \text{MAX}, V_I = 5.5 \text{ V}$			1	mA
$I_{IH}$	High-level input current	Any input except BI/RBO $V_{CC} = \text{MAX}, V_I = 2.4 \text{ V}$			40	$\mu\text{A}$
$I_{IL}$	Low-level input current	Any input except BI/RBO $V_{CC} = \text{MAX}, V_I = 0.4 \text{ V}$			-1.6	mA
		BI/RBO			-4	
$I_{OS}$	Short-circuit output current	BI/RBO $V_{CC} = \text{MAX}$			-4	mA
$I_{CC}$	Supply current	$V_{CC} = \text{MAX}, \text{ See Note 2}$	64	103		mA

† For conditions shown as MIN or MAX, use the appropriate value specified under recommended operating conditions.

‡ All typical values are at  $V_{CC} = 5 \text{ V}, T_A = 25^\circ\text{C}$ .

NOTE 2:  $I_{CC}$  is measured with all outputs open and all inputs at 4.5 V.

### switching characteristics, $V_{CC} = 5 \text{ V}, T_A = 25^\circ\text{C}$

PARAMETER		TEST CONDITIONS	MIN	TYP	MAX	UNIT
$t_{off}$	Turn-off time from A input	$C_L = 15 \text{ pF}, R_L = 120 \Omega,$ See Note 3			100	ns
$t_{on}$	Turn-on time from A input				100	
$t_{off}$	Turn-off time from RBI input				100	ns
$t_{on}$	Turn-on time from RBI input				100	

NOTE 3: Load circuit and voltage waveforms are shown on page 3-10;  $t_{off}$  corresponds to  $t_{pLH}$  and  $t_{on}$  corresponds to  $t_{pHL}$ .

# TYPES SN54LS247, SN74LS247

## BCD-TO-SEVEN-SEGMENT DECODERS/DRIVERS

REVISED OCTOBER 1976

### absolute maximum ratings over operating free-air temperature range (unless otherwise noted)

Supply voltage, $V_{CC}$ (see Note 1)	7 V
Input voltage	7 V
Peak output current ( $t_w \leq 1$ ms, duty cycle $\leq 10\%$ )	200 mA
Current forced into any output in the off state	1 mA
Operating free-air temperature range: SN54LS247	-55°C to 125°C
SN74LS247	0°C to 70°C
Storage temperature range	-65°C to 150°C

NOTE 1: Voltage values are with respect to network ground terminal.

### recommended operating conditions

	SN54LS247			SN74LS247			UNIT
	MIN	NOM	MAX	MIN	NOM	MAX	
Supply voltage, $V_{CC}$	4.5	5	5.5	4.75	5	5.25	V
Off-state output voltage, $V_{O(off)}$	a thru g			15			V
On-state output current, $I_{O(on)}$	a thru g			12			mA
High-level output current, $I_{OH}$	BI/RBO			-50			$\mu$ A
Low-level output current, $I_{OL}$	BI/RBO			1.6			mA
Operating free-air temperature, $T_A$	-55			125			0 to 70 °C

### electrical characteristics over recommended operating free-air temperature range (unless otherwise noted)

PARAMETER		TEST CONDITIONS†	SN54LS247			SN74LS247			UNIT
			MIN	TYP‡	MAX	MIN	TYP‡	MAX	
$V_{IH}$	High-level input voltage		2			2			V
$V_{IL}$	Low-level input voltage		0.7			0.8			V
$V_{IK}$	Input clamp voltage	$V_{CC} = \text{MIN}, I_I = -18 \text{ mA}$	-1.5			-1.5			V
$V_{OH}$	High-level output voltage	BI/RBO $V_{CC} = \text{MIN}, V_{IH} = 2 \text{ V}, V_{IL} = V_{IL \text{ max}}, I_{OH} = -50 \mu\text{A}$	2.4	4.2		2.4	4.2		V
$V_{OL}$	Low-level output voltage	BI/RBO $V_{CC} = \text{MIN}, V_{IH} = 2 \text{ V}, V_{IL} = V_{IL \text{ max}}$	0.25 0.4			0.25 0.4			V
$I_{O(off)}$	Off-state output current	a thru g $V_{CC} = \text{MAX}, V_{IH} = 2 \text{ V}, V_{IL} = V_{IL \text{ max}}, V_{O(off)} = 15 \text{ V}$	250			250			$\mu$ A
$V_{O(on)}$	On-state output voltage	a thru g $V_{CC} = \text{MIN}, V_{IH} = 2 \text{ V}, V_{IL} = V_{IL \text{ max}}$	0.25 0.4			0.25 0.4			V
$I_I$	Input current at maximum input voltage	$V_{CC} = \text{MAX}, V_I = 7 \text{ V}$	0.1			0.1			mA
$I_{IH}$	High-level input current	$V_{CC} = \text{MAX}, V_I = 2.7 \text{ V}$	20			20			$\mu$ A
$I_{IL}$	Low-level input current	Any input except BI/RBO BI/RBO $V_{CC} = \text{MAX}, V_I = 0.4 \text{ V}$	-0.4			-0.4			mA
$I_{OS}$	Short-circuit output current	BI/RBO $V_{CC} = \text{MAX}$	-0.3	-2		-0.3	-2		mA
$I_{CC}$	Supply current	$V_{CC} = \text{MAX},$ See Note 2	7	13		7	13		mA

†For conditions shown as MIN or MAX, use the appropriate value specified under recommended operating conditions.

‡All typical values are at  $V_{CC} = 5 \text{ V}, T_A = 25^\circ\text{C}$ .

NOTE 2:  $I_{CC}$  is measured with all outputs open and all inputs at 4.5 V.

### switching characteristics, $V_{CC} = 5 \text{ V}, T_A = 25^\circ\text{C}$

PARAMETER		TEST CONDITIONS	MIN	TYP	MAX	UNIT
$t_{off}$	Turn-off time from A input	$C_L = 15 \text{ pF}, R_L = 665 \Omega,$ See Note 4			100	ns
$t_{on}$	Turn-on time from A input				100	
$t_{off}$	Turn-off time from RBI input				100	ns
$t_{on}$	Turn-on time from RBI input				100	

NOTE 4: Load circuit and voltage waveforms are shown on page 3-11;  $t_{off}$  corresponds to  $t_{PLH}$  and  $t_{on}$  corresponds to  $t_{PHL}$ .

# TYPES SN54248, SN74248

## BCD-TO-SEVEN-SEGMENT DECODERS/DRIVERS

REVISED MARCH 1974

absolute maximum ratings over operating free-air temperature range (unless otherwise noted)

Supply voltage, $V_{CC}$ (see Note 1)	7 V
Input voltage	5.5 V
Operating free-air temperature range: SN54248	-55°C to 125°C
SN74248	0°C to 70°C
Storage temperature range	-65°C to 150°C

NOTE 1: Voltage values are with respect to network ground terminals.

recommended operating conditions

	SN54248			SN74248			UNIT
	MIN	NOM	MAX	MIN	NOM	MAX	
Supply voltage, $V_{CC}$	4.5	5	5.5	4.75	5	5.25	V
High-level output current, $I_{OH}$	a thru g	-400		-400		$\mu$ A	
	BI/RBO	-200		-200			
Low-level output current, $I_{OL}$	a thru g	6.4		6.4		mA	
	BI/RBO	8		8			
Operating free-air temperature, $T_A$	-55		125	0		70	°C

electrical characteristics over recommended operating free-air temperature range (unless otherwise noted)

PARAMETER		TEST CONDITIONS†	MIN	TYP‡	MAX	UNIT	
$V_{IH}$	High-level input voltage		2			V	
$V_{IL}$	Low-level input voltage				0.8	V	
$V_{IK}$	Input clamp voltage	$V_{CC} = \text{MIN}, I_I = -12 \text{ mA}$			-1.5	V	
$V_{OH}$	High-level output voltage	a thru g	$V_{CC} = \text{MIN}, V_{IH} = 2 \text{ V},$		2.4	4.2	V
		BI/RBO	$V_{IL} = 0.8 \text{ V}, I_{OH} = \text{MAX}$		2.4	3.7	
$I_O$	Output current	a thru g	$V_{CC} = \text{MIN}, V_O = 0.85 \text{ V},$ Input conditions as for $V_{OH}$		-1.3	-2	mA
$V_{OL}$	Low-level output voltage		$V_{CC} = \text{MIN}, V_{IH} = 2 \text{ V},$ $V_{IL} = 0.8 \text{ V}, I_{OL} = \text{MAX}$		0.27	0.4	V
$I_I$	Input current at maximum input voltage	Any input except BI/RBO	$V_{CC} = \text{MAX}, V_I = 5.5 \text{ V}$		1		mA
$I_{IH}$	High-level input current	Any input except BI/RBO	$V_{CC} = \text{MAX}, V_I = 2.4 \text{ V}$		40		$\mu$ A
$I_{IL}$	Low-level input current	Any input except BI/RBO	$V_{CC} = \text{MAX}, V_I = 0.4 \text{ V}$		-1.6		mA
		BI/RBO			-4		
$I_{OS}$	Short-circuit output current	BI/RBO	$V_{CC} = \text{MAX}$		-4		mA
$I_{CC}$	Supply current		$V_{CC} = \text{MAX},$ See Note 2		53	90	mA

† For conditions shown as MIN or MAX, use the appropriate value specified under recommended operating conditions.

‡ All typical values are at  $V_{CC} = 5 \text{ V}, T_A = 25^\circ \text{C}$ .

NOTE 2:  $I_{CC}$  is measured with all outputs open and all inputs at 4.5 V.

switching characteristics,  $V_{CC} = 5 \text{ V}, T_A = 25^\circ \text{C}$

PARAMETER		TEST CONDITIONS	MIN	TYP	MAX	UNIT
$t_{PHL}$	Propagation delay time, high-to-low-level output from A input	$C_L = 15 \text{ pF}, R_L = 1 \text{ k}\Omega,$ See Note 5			100	ns
$t_{PLH}$	Propagation delay time, low-to-high-level output from A input				100	
$t_{PHL}$	Propagation delay time, high-to-low-level output from RBI input				100	ns
$t_{PLH}$	Propagation delay time, low-to-high-level output from RBI input				100	

NOTE 5: Load circuit and voltage waveforms are shown on page 3-10.

# TYPES SN54LS248, SN74LS248

## BCD-TO-SEVEN-SEGMENT DECODERS/DRIVERS

REVISED OCTOBER 1976

**absolute maximum ratings over operating free-air temperature range (unless otherwise noted)**

Supply voltage, $V_{CC}$ (see Note 1)	7 V
Input voltage	7 V
Operating free-air temperature range: SN54LS248	-55°C to 125°C
SN74LS248	0°C to 70°C
Storage temperature range	-65°C to 150°C

NOTE 1: Voltage values are with respect to network ground terminal.

**recommended operating conditions**

	SN54LS248			SN74LS248			UNIT
	MIN	NOM	MAX	MIN	NOM	MAX	
Supply voltage, $V_{CC}$	4.5	5	5.5	4.75	5	5.25	V
High-level output current, $I_{OH}$	a thru g			-100			$\mu$ A
	BI/RBO			-50			
Low-level output current, $I_{OL}$	a thru g			2			mA
	BI/RBO			1.6			
Operating free-air temperature, $T_A$	-55		125	0		70	°C

**electrical characteristics over recommended operating free-air temperature range (unless otherwise noted)**

PARAMETER		TEST CONDITIONS†	SN54LS248			SN74LS248			UNIT
			MIN	TYP‡	MAX	MIN	TYP‡	MAX	
$V_{IH}$	High-level input voltage		2			2			V
$V_{IL}$	Low-level input voltage		0.7			0.8			V
$V_{IK}$	Input clamp voltage	$V_{CC} = \text{MIN}, I_I = -18 \text{ mA}$	-1.5			-1.5			V
$V_{OH}$	High-level output voltage	a thru g and BI/RBO $V_{CC} = \text{MIN}, V_{IH} = 2 \text{ V}, V_{IL} = V_{IL \text{ max}}, I_{OH} = \text{MAX}$	2.4	4.2		2.4	4.2		V
$I_O$	Output current	a thru g $V_{CC} = \text{MIN}, V_O = 0.85 \text{ V},$ Input conditions as for $V_{OH}$	-1.3	-2		-1.3	-2		mA
$V_{OL}$	Low-level output voltage	a thru g	$V_{CC} = \text{MIN}, V_{IH} = 2 \text{ V}, V_{IL} = V_{IL \text{ max}}, I_{OL} = 2 \text{ mA}$		0.25	0.4	0.25	0.4	V
			$I_{OL} = 6 \text{ mA}$				0.35	0.5	
	BI/RBO	$V_{CC} = \text{MIN}, V_{IH} = 2 \text{ V}, V_{IL} = V_{IL \text{ max}}, I_{OL} = 1.6 \text{ mA}$		0.25	0.4	0.25	0.4		V
		$I_{OL} = 3.2 \text{ mA}$				0.35	0.5		
$I_I$	Input current at maximum input voltage	Any input except BI/RBO $V_{CC} = \text{MAX}, V_I = 7 \text{ V}$	0.1			0.1			mA
$I_{IH}$	High-level input current	Any input except BI/RBO $V_{CC} = \text{MAX}, V_I = 2.7 \text{ V}$	20			20			$\mu$ A
$I_{IL}$	Low-level input current	Any input except BI/RBO BI/RBO	$V_{CC} = \text{MAX}, V_I = 0.4 \text{ V}$			-0.4			mA
						-1.2			
$I_{OS}$	Short-circuit output current	BI/RBO $V_{CC} = \text{MAX}$	-0.3	-2		-0.3	-2	mA	
$I_{CC}$	Supply current	$V_{CC} = \text{MAX},$ See Note 2	25	38		25	38	mA	

†For conditions shown as MIN or MAX, use the appropriate value specified under recommended operating conditions.

‡All typical values are at  $V_{CC} = 5 \text{ V}, T_A = 25^\circ\text{C}$ .

NOTE 2:  $I_{CC}$  is measured with all outputs open and all inputs at 4.5 V.

**switching characteristics,  $V_{CC} = 5 \text{ V}, T_A = 25^\circ\text{C}$**

PARAMETER		TEST CONDITIONS	MIN	TYP	MAX	UNIT
$t_{PHL}$	Propagation delay time, high-to-low-level output from A input	$C_L = 15 \text{ pF}, R_L = 4 \text{ k}\Omega,$			100	ns
$t_{PLH}$	Propagation delay time, low-to-high-level output from A input	See Note 6			100	
$t_{PHL}$	Propagation delay time, high-to-low-level output from RBI input	$C_L = 15 \text{ pF}, R_L = 6 \text{ k}\Omega,$			100	ns
$t_{PLH}$	Propagation delay time, low-to-high-level output from RBI input	See Note 6			100	

NOTE 6: Load circuit and voltage waveforms are shown on page 3-11.



# TYPES SN54249, SN74249

## BCD-TO-SEVEN-SEGMENT DECODERS/DRIVERS

REVISED DECEMBER 1980

absolute maximum ratings over operating free-air temperature range (unless otherwise noted)

Supply voltage, $V_{CC}$ (see Note 1)	7 V
Input voltage	5.5 V
Current forced into any output in the off state	1 mA
Operating free-air temperature range: SN54249	-55°C to 125°C
SN74249	0°C to 70°C
Storage temperature range	-65°C to 150°C

NOTE 1: Voltage values are with respect to network ground terminal.

recommended operating conditions

	SN54249			SN74249			UNIT
	MIN	NOM	MAX	MIN	NOM	MAX	
Supply voltage, $V_{CC}$	4.5	5	5.5	4.75	5	5.25	V
High-level output voltage, $V_{OH}$				5.5			V
High-level output current, $I_{OH}$	BI/RBO		-200	BI/RBO		-200	$\mu$ A
Low-level output current, $I_{OL}$	a thru g		10	a thru g		10	mA
	BI/RBO		8	BI/RBO		8	
Operating free-air temperature, $T_A$	-55		125	0		70	°C

electrical characteristics over recommended operating free-air temperature range (unless otherwise noted)

PARAMETER		TEST CONDITIONS†	MIN	TYP‡	MAX	UNIT
$V_{IH}$	High-level input voltage		2			V
$V_{IL}$	Low-level input voltage				0.8	V
$V_{IK}$	Input clamp voltage	$V_{CC} = \text{MIN}, I_I = -12 \text{ mA}$			-1.5	V
$V_{OH}$	High-level output voltage	BI/RBO $V_{CC} = \text{MIN}, V_{IH} = 2 \text{ V}, V_{IL} = 0.8 \text{ V}, I_{OH} = \text{MAX}$	2.4	3.7		V
$I_{OH}$	High-level output current	a thru g $V_{CC} = \text{MIN}, V_{IH} = 2 \text{ V}, V_{IL} = 0.8 \text{ V}, V_{OH} = 5.5 \text{ V}$			250	$\mu$ A
$V_{OL}$	Low-level output voltage	$V_{CC} = \text{MIN}, V_{IH} = 2 \text{ V}, V_{IL} = 0.8 \text{ V}, I_{OL} = \text{MAX}$	0.27	0.4		V
$I_I$	Input current at maximum input voltage	Any input except BI/RBO $V_{CC} = \text{MAX}, V_I = 5.5 \text{ V}$			1	mA
$I_{IH}$	High-level input current	Any input except BI/RBO $V_{CC} = \text{MAX}, V_I = 2.4 \text{ V}$			40	
$I_{IL}$	Low-level input current	Any input except BI/RBO $V_{CC} = \text{MAX}, V_I = 0.4 \text{ V}$			-1.6	mA
		BI/RBO			-4	
$I_{OS}$	Short-circuit output current	BI/RBO $V_{CC} = \text{MAX}$			-4	mA
$I_{CC}$	Supply current	$V_{CC} = \text{MAX}, \text{ See Note 2}$	53	90		

†For conditions shown as MIN or MAX, use the appropriate value specified under recommended operating conditions.

‡All typical values are at  $V_{CC} = 5 \text{ V}, T_A = 25^\circ \text{C}$ .

NOTE 2:  $I_{CC}$  is measured with all outputs open and all inputs at 4.5 V.

switching characteristics,  $V_{CC} = 5 \text{ V}, T_A = 25^\circ \text{C}$

PARAMETER		TEST CONDITIONS	MIN	TYP	MAX	UNIT
$t_{PHL}$	Propagation delay time, high-to-low-level output from A input	$C_L = 15 \text{ pF}, R_L = 667 \Omega,$ See Note 5			100	ns
$t_{PLH}$	Propagation delay time, low-to-high-level output from A input				100	
$t_{PHL}$	Propagation delay time, high-to-low-level output from RBI input				100	ns
$t_{PLH}$	Propagation delay time, low-to-high-level output from RBI input				100	

NOTE 5: Load circuit and voltage waveforms are shown on page 3-10.

# TYPES SN54LS249, SN74LS249

## BCD-TO-SEVEN-SEGMENT DECODERS/DRIVERS

REVISED OCTOBER 1976

### absolute maximum ratings over operating free-air temperature range (unless otherwise noted)

Supply voltage, $V_{CC}$ (see Note 1)	7 V
Input voltage	7 V
Current forced into any output in the offstate	1 mA
Operating free-air temperature range: SN54LS249	-55°C to 125°C
SN74LS249	0°C to 70°C
Storage temperature range	-65°C to 150°C

NOTE 1: Voltage values are with respect to network ground terminal.

### recommended operating conditions

		SN54LS249			SN74LS249			UNIT		
		MIN	NOM	MAX	MIN	NOM	MAX			
Supply voltage, $V_{CC}$		4.5	5	5.5	4.75	5	5.25	V		
High-level output voltage, $V_{OH}$		a thru g			5.5			V		
High-level output current, $I_{OH}$		BI/RBO			-50			$\mu$ A		
Low-level output current, $I_{OL}$		a thru g			4			8		
		BI/RBO			1.6			3.2		
Operating free-air temperature, $T_A$		-55			125			0	70	°C

### electrical characteristics over recommended operating free-air temperature range (unless otherwise noted)

PARAMETER		TEST CONDITIONS†	SN54LS249			SN74LS249			UNIT	
			MIN	TYP‡	MAX	MIN	TYP‡	MAX		
$V_{IH}$	High-level input voltage		2			2			V	
$V_{IL}$	Low-level input voltage		0.7			0.8			V	
$V_{IK}$	Input clamp voltage	$V_{CC} = \text{MIN}, I_I = -18 \text{ mA}$	-1.5			-1.5			V	
$V_{OH}$	High-level output voltage	BI/RBO $V_{CC} = \text{MIN}, V_{IH} = 2 \text{ V}, V_{IL} = V_{IL \text{ max}}, I_{OH} = -50 \mu\text{A}$	2.4	4.2		2.4	4.2		V	
$I_{OH}$	High-level output current	a thru g $V_{CC} = \text{MIN}, V_{IH} = 2 \text{ V}, V_{IL} = V_{IL \text{ max}}, V_{OH} = 5.5 \text{ V}$	250			250			$\mu$ A	
$V_{OL}$	Low-level output voltage	BI/RBO $V_{CC} = \text{MIN}, V_{IH} = 2 \text{ V}, V_{IL} = V_{IL \text{ max}}$	$I_{OL} = 1.6 \text{ mA}$		0.25	0.4	0.25	0.4	V	
			$I_{OL} = 3.2 \text{ mA}$		0.35		0.5			
		a thru g $V_{CC} = \text{MIN}, V_{IH} = 2 \text{ V}, V_{IL} = V_{IL \text{ max}}$	$I_{OL} = 4 \text{ mA}$		0.25	0.4	0.25	0.4	V	
			$I_{OL} = 8 \text{ mA}$		0.35		0.5			
$I_I$	Input current at maximum input voltage	Any input except BI/RBO $V_{CC} = \text{MAX}, V_I = 7 \text{ V}$	0.1			0.1			mA	
$I_{IH}$	High-level input current	Any input except BI/RBO $V_{CC} = \text{MAX}, V_I = 2.7 \text{ V}$	20			20			$\mu$ A	
$I_{IL}$	Low-level input current	Any input except BI/RBO $V_{CC} = \text{MAX}, V_I = 0.4 \text{ V}$	-0.4			-0.4			mA	
		BI/RBO	-1.2			-1.2				
$I_{OS}$	Short-circuit output current	BI/RBO $V_{CC} = \text{MAX}$	-0.3	-2	-0.3	-2	-0.3	-2	mA	
$I_{CC}$	Supply current	$V_{CC} = \text{MAX},$ See Note 2	8		15		8		15	mA

† For conditions shown as MIN or MAX, use the appropriate value specified under recommended operating conditions.

‡ All typical values are at  $V_{CC} = 5 \text{ V}, T_A = 25^\circ\text{C}$ .

NOTE 2:  $I_{CC}$  is measured with all outputs open and inputs at 4.5 V.

### switching characteristics, $V_{CC} = 5 \text{ V}, T_A = 25^\circ\text{C}$

PARAMETER		TEST CONDITIONS	MIN	TYP	MAX	UNIT
$t_{PHL}$	Propagation delay time, high-to-low-level output from A input	$C_L = 15 \text{ pF}, R_L = 2 \text{ k}\Omega,$			100	ns
$t_{PLH}$	Propagation delay time, low-to-high-level output from A input	See Note 6			100	
$t_{PHL}$	Propagation delay time, high-to-low-level output from RBI input	$C_L = 15 \text{ pF}, R_L = 6 \text{ k}\Omega,$			100	ns
$t_{PLH}$	Propagation delay time, low-to-high-level output from RBI input	See Note 6			100	

NOTE 6: Load circuit and voltage waveforms are shown on page 3-11.

TTL  
MSI

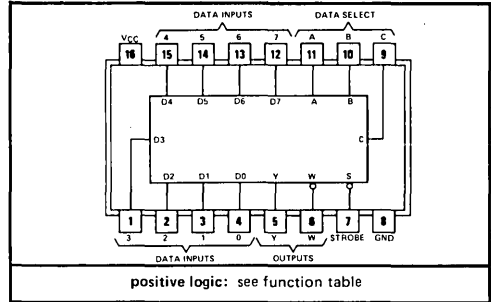
# TYPES SN54251, SN54LS251, SN54S251, SN74251, SN74LS251 (TIM9905), SN74S251 DATA SELECTORS/MULTIPLEXERS WITH 3-STATE OUTPUTS

BULLETIN NO. DL-S 7611834, DECEMBER 1972—REVISED OCTOBER 1976

SN54251, SN54LS251, SN54S251 . . . J OR W PACKAGE

SN74251, SN74LS251, SN54S251 . . . J OR N PACKAGE

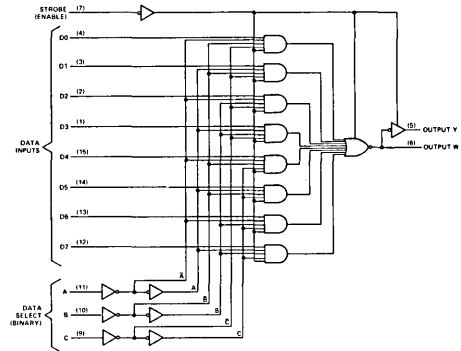
(TOP VIEW)



- Three-State Versions of '151, 'LS151, 'S151
- Three-State Outputs Interface Directly with System Bus
- Perform Parallel-to-Serial Conversion
- Permit Multiplexing from N-lines to One Line
- Complementary Outputs Provide True and Inverted Data
- Fully Compatible with Most TTL and DTL Circuits

TYPE	MAX NO. OF COMMON OUTPUTS	TYPICAL AVG PROP DELAY TIME (D TO Y)	TYPICAL POWER DISSIPATION
SN54251	49	17 ns	250 mW
SN74251	129	17 ns	250 mW
SN54LS251	49	17 ns	35 mW
SN74LS251	129	17 ns	35 mW
SN54S251	39	8 ns	275 mW
SN74S251	129	8 ns	275 mW

functional block diagram



## description

These monolithic data selectors/multiplexers contain full on-chip binary decoding to select one-of-eight data sources and feature a strobe-controlled three-state output. The strobe must be at a low logic level to enable these devices. The three-state outputs permit a number of outputs to be connected to a common bus. When the strobe input is high, both outputs are in a high-impedance state in which both the upper and lower transistors of each totem-pole output are off, and the output neither drives nor loads the bus significantly. When the strobe is low, the outputs are activated and operate as standard TTL totem-pole outputs.

To minimize the possibility that two outputs will attempt to take a common bus to opposite logic levels, the output control circuitry is designed so that the average output disable time is shorter than the average output enable time. The SN54251 and SN74251 have output clamp diodes to attenuate reflections on the bus line.

FUNCTION TABLE

SELECT			STROBE		OUTPUTS	
C	B	A	S	Y	W	
X	X	X	H	Z	Z	
L	L	L	L	D0	D0	
L	L	H	L	D1	D1	
L	H	L	L	D2	D2	
L	H	H	L	D3	D3	
H	L	L	L	D4	D4	
H	L	H	L	D5	D5	
H	H	L	L	D6	D6	
H	H	H	L	D7	D7	

H = high logic level, L = low logic level  
X = irrelevant, Z = high impedance (off)  
D0, D1 . . . D7 = the level of the respective D input

# TYPES SN54251, SN74251

## DATA SELECTORS/MULTIPLEXERS WITH 3-STATE OUTPUTS

### absolute maximum ratings over operating free-air temperature range (unless otherwise noted)

Supply voltage, $V_{CC}$ (see Note 1)	7 V
Input voltage	5.5 V
Off-state output voltage	5.5 V
Operating free-air temperature range: SN54251	-55°C to 125°C
SN74251	0°C to 70°C
Storage temperature range	-65°C to 150°C

NOTE 1: Voltage values are with respect to network ground terminal.

### recommended operating conditions

	SN54251			SN74251			UNIT
	MIN	NOM	MAX	MIN	NOM	MAX	
Supply voltage, $V_{CC}$	4.5	5	5.5	4.75	5	5.25	V
High-level output current, $I_{OH}$			-2			-5.2	mA
Low-level output current, $I_{OL}$			16			16	mA
Operating free-air temperature, $T_A$	-55		125	0		70	°C

### electrical characteristics over recommended operating free-air temperature range (unless otherwise noted)

PARAMETER	TEST CONDITIONS†	MIN	TYP‡	MAX	UNIT
$V_{IH}$ High-level input voltage		2			V
$V_{IL}$ Low-level input voltage				0.8	V
$V_{IK}$ Input clamp voltage	$V_{CC} = \text{MIN}, I_I = -12 \text{ mA}$			-1.5	V
$V_{OH}$ High-level output voltage	$V_{CC} = \text{MIN}, V_{IH} = 2 \text{ V}, V_{IL} = 0.8 \text{ V}, I_{OH} = \text{MAX}$	2.4	3.2		V
$V_{OL}$ Low-level output voltage	$V_{CC} = \text{MIN}, V_{IH} = 2 \text{ V}, V_{IL} = 0.8 \text{ V}, I_{OL} = 16 \text{ mA}$		0.2	0.4	V
$I_{OZ}$ Off-state (high-impedance-state) output current	$V_{CC} = \text{MAX}, V_{IH} = 2 \text{ V}$			40	$\mu\text{A}$
				-40	
$V_O$ Output clamp voltage	$V_{CC} = \text{MAX}, V_{IH} = 4.5 \text{ V}$			-1.5	V
				$V_{CC} + 1.5$	
$I_I$ Input current at maximum input voltage	$V_{CC} = \text{MAX}, V_I = 5.5 \text{ V}$			1	mA
$I_{IH}$ High-level input current	$V_{CC} = \text{MAX}, V_I = 2.4 \text{ V}$			40	$\mu\text{A}$
$I_{IL}$ Low-level input current	$V_{CC} = \text{MAX}, V_I = 0.4 \text{ V}$			-1.6	mA
$I_{OS}$ Short-circuit output current§	$V_{CC} = \text{MAX}$	-18		-55	mA
$I_{CC}$ Supply current	$V_{CC} = \text{MAX},$ All inputs at 4.5 V, All outputs open		38	62	mA

† For conditions shown as MIN or MAX, use the appropriate value specified under recommended operating conditions for the applicable type.

‡ All typical values are at  $V_{CC} = 5 \text{ V}, T_A = 25^\circ\text{C}$ .

§ Not more than one output should be shorted at a time.

# TYPES SN54251, SN74251

## DATA SELECTORS/MULTIPLEXERS WITH 3-STATE OUTPUTS

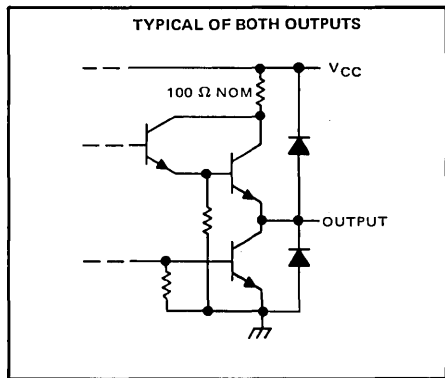
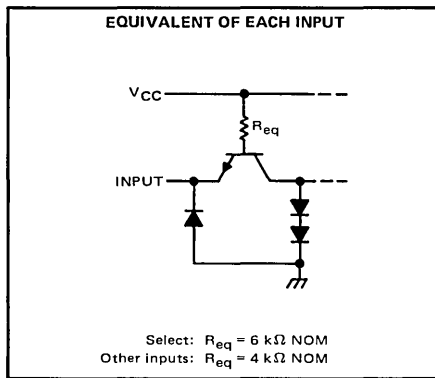
switching characteristics,  $V_{CC} = 5\text{ V}$ ,  $T_A = 25^\circ\text{C}$

PARAMETER <sup>†</sup>	FROM (INPUT)	TO (OUTPUT)	TEST CONDITIONS	MIN	TYP	MAX	UNIT
$t_{PLH}$	A, B, or C (4 levels)	Y	$C_L = 50\text{ pF}$ , $R_L = 400\ \Omega$ , See Note 2	29	45	ns	
$t_{PHL}$				28	45		
$t_{PLH}$	A, B, or C (3 levels)	W		20	33	ns	
$t_{PHL}$				21	33		
$t_{PLH}$	Any D	Y		17	28	ns	
$t_{PHL}$				18	28		
$t_{PLH}$	Any D	W		10	15	ns	
$t_{PHL}$				9	15		
$t_{ZH}$	Strobe	Y		17	27	ns	
$t_{ZL}$				26	40		
$t_{ZH}$	Strobe	W	17	27	ns		
$t_{ZL}$			24	40			
$t_{HZ}$	Strobe	Y	5	8	ns		
$t_{LZ}$			15	23			
$t_{HZ}$	Strobe	W	5	8	ns		
$t_{LZ}$			15	23			

- <sup>†</sup>  $t_{PLH}$   $\equiv$  Propagation delay time, low-to-high-level output
- $t_{PHL}$   $\equiv$  Propagation delay time, high-to-low-level output
- $t_{ZH}$   $\equiv$  Output enable time to high level
- $t_{ZL}$   $\equiv$  Output enable time to low level
- $t_{HZ}$   $\equiv$  Output disable time from high level
- $t_{LZ}$   $\equiv$  Output disable time from low level

NOTE 2: See load circuits and waveforms on page 3-10.

### schematics of inputs and outputs



# TYPES SN54LS251, SN74LS251 (TIM9905) DATA SELECTORS/MULTIPLEXERS WITH 3-STATE OUTPUTS

REVISED OCTOBER 1976

**absolute maximum ratings over operating free-air temperature range (unless otherwise noted)**

Supply voltage, $V_{CC}$ (see Note 1)	7	V
Input voltage	7	V
Off-state output voltage	5.5	V
Operating free-air temperature range: SN54LS251	55°C to 125°C	
SN74LS251	0°C to 70°C	
Storage temperature range	-65°C to 150°C	

NOTE 1: Voltage values are with respect to network ground terminal.

**recommended operating conditions**

	SN54LS251			SN74LS251			UNIT
	MIN	NOM	MAX	MIN	NOM	MAX	
Supply voltage, $V_{CC}$	4.5	5	5.5	4.75	5	5.25	V
High-level output current, $I_{OH}$			-1			-2.6	mA
Low-level output current, $I_{OL}$			4			8	mA
Operating free-air temperature, $T_A$	-55		125	0		70	°C

**electrical characteristics over recommended operating free-air temperature range (unless otherwise noted)**

PARAMETER	TEST CONDITIONS†	SN54LS251			SN74LS251			UNIT	
		MIN	TYP‡	MAX	MIN	TYP‡	MAX		
$V_{IH}$ High-level input voltage		2			2			V	
$V_{IL}$ Low-level input voltage			0.7			0.8		V	
$V_{IK}$ Input clamp voltage	$V_{CC} = \text{MIN}, I_I = -18 \text{ mA}$			-1.5			-1.5	V	
$V_{OH}$ High-level output voltage	$V_{CC} = \text{MIN}, V_{IH} = 2 \text{ V}, V_{IL} = \text{MAX}, I_{OH} = \text{MAX}$	2.4	3.4		2.4	3.1		V	
$V_{OL}$ Low-level voltage	$V_{CC} = \text{MIN}, V_{IH} = 2 \text{ V}, V_{IL} = V_{IL \text{ max}}$			0.25	0.4		0.25	0.4	V
	$I_{OL} = 4 \text{ mA}$						0.35	0.5	
$I_{OZ}$ Off-state (high-impedance-state) output current	$V_{CC} = \text{MAX}, V_{IH} = 2 \text{ V}, V_O = 2.7 \text{ V}$						20	$\mu\text{A}$	
	$V_O = 0.4 \text{ V}$						-20		
$I_I$ Input current at maximum input voltage	$V_{CC} = \text{MAX}, V_I = 7 \text{ V}$			0.1			0.1	mA	
$I_{IH}$ High-level input current	$V_{CC} = \text{MAX}, V_I = 2.7 \text{ V}$			20			20	$\mu\text{A}$	
$I_{IL}$ Low-level input current	$V_{CC} = \text{MAX}, V_I = 0.4 \text{ V}$			-0.4			-0.4	mA	
$I_{OS}$ Short-circuit output current§	$V_{CC} = \text{MAX}$	-30		-130	-30		-130	mA	
$I_{CC}$ Supply current	$V_{CC} = \text{MAX},$ Condition A		6.1	10		6.1	10	mA	
	See Note 3 Condition B		7.1	12		7.1	12		

† For conditions shown as MIN or MAX, use the appropriate value specified under recommended operating conditions for the applicable type.

‡ All typical values are at  $V_{CC} = 5 \text{ V}, T_A = 25^\circ\text{C}$ .

§ Not more than one output should be shorted at a time, and duration of the short-circuit should not exceed one second.

NOTE 3:  $I_{CC}$  is measured with the outputs open and all data and select inputs at 4.5 V under the following conditions:

- A. Strobe grounded.
- B. Strobe at 4.5 V.

# TYPES SN54LS251, SN74LS251 (TIM9905)

## DATA SELECTORS/MULTIPLEXERS WITH 3-STATE OUTPUTS

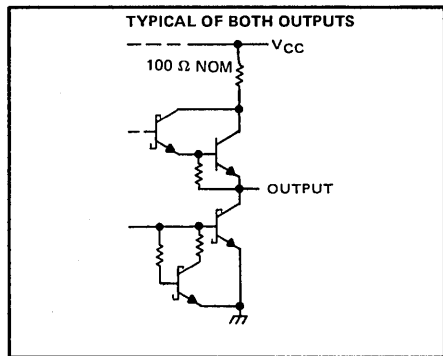
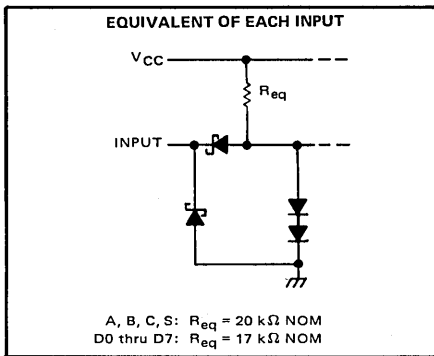
switching characteristics,  $V_{CC} = 5\text{ V}$ ,  $T_A = 25^\circ\text{C}$

PARAMETER†	FROM (INPUT)	TO (OUTPUT)	TEST CONDITIONS	MIN	TYP	MAX	UNIT
$t_{PLH}$	A, B, or C (4 levels)	Y	$C_L = 15\text{ pF}$ , $R_L = 2\text{ k}\Omega$ , See Note 4		29	45	ns
$t_{PHL}$					28	45	
$t_{PLH}$	A, B, or C (3 levels)	W			20	33	ns
$t_{PHL}$					21	33	
$t_{PLH}$	Any D	Y			17	28	ns
$t_{PHL}$					18	28	
$t_{PLH}$	Any D	W			10	15	ns
$t_{PHL}$					9	15	
$t_{ZH}$	Strobe	Y			30	45	ns
$t_{ZL}$					26	40	
$t_{ZH}$	Strobe	W		17	27	ns	
$t_{ZL}$				24	40		
$t_{HZ}$	Strobe	Y	$C_L = 5\text{ pF}$ , $R_L = 2\text{ k}\Omega$ , See Note 4		30	45	ns
$t_{LZ}$					15	25	
$t_{HZ}$	Strobe	W			37	55	ns
$t_{LZ}$					15	25	

- †  $t_{PLH}$  = Propagation delay time, low-to-high-level output  
 $t_{PHL}$  = Propagation delay time, high-to-low-level output  
 $t_{ZH}$  = Output enable time to high level  
 $t_{ZL}$  = Output enable time to low level  
 $t_{HZ}$  = Output disable time from high level  
 $t_{LZ}$  = Output disable time from low level

NOTE 4: See load circuits and waveforms on page 3-11.

### schematics of inputs and outputs



# TYPES SN54S251, SN74S251

## DATA SELECTORS/MULTIPLEXERS WITH 3-STATE OUTPUTS

absolute maximum ratings over operating free-air temperature range (unless otherwise noted)

Supply voltage, $V_{CC}$ (see Note 1)	7 V
Input voltage	5.5 V
Off-state output voltage	5.5 V
Operating free-air temperature range: SN54S251	-55°C to 125°C
SN74S251	0°C to 70°C
Storage temperature range	-65°C to 150°C

NOTE 1: Voltage values are with respect to network ground terminal.

recommended operating conditions

	SN54S251			SN74S251			UNIT
	MIN	NOM	MAX	MIN	NOM	MAX	
Supply voltage, $V_{CC}$	4.5	5	5.5	4.75	5	5.25	V
High-level output current, $I_{OH}$			-2			-6.5	mA
Low-level output current, $I_{OL}$			20			20	mA
Operating free-air temperature, $T_A$	-55		125	0		70	°C

electrical characteristics over recommended operating free-air temperature range (unless otherwise noted)

PARAMETER		TEST CONDITIONS <sup>†</sup>		MIN	TYP <sup>‡</sup>	MAX	UNIT
$V_{IH}$	High-level input voltage			2			V
$V_{IL}$	Low-level input voltage					0.8	V
$V_{IK}$	Input clamp voltage	$V_{CC} = \text{MIN}$ ,	$I_I = -18 \text{ mA}$			-1.2	V
$V_{OH}$	High-level output voltage	$V_{CC} = \text{MIN}$ , $V_{IL} = 0.8 \text{ V}$ ,	$V_{IH} = 2 \text{ V}$ , $I_{OH} = \text{MAX}$	SN54S'	2.4	3.4	V
				SN74S'	2.4	3.2	
$V_{OL}$	Low-level output voltage	$V_{CC} = \text{MIN}$ , $V_{IL} = 0.8 \text{ V}$ ,	$V_{IH} = 2 \text{ V}$ , $I_{OL} = 20 \text{ mA}$			0.5	V
$I_{OZ}$	Off-state (high-impedance-state) output current	$V_{CC} = \text{MAX}$ , $V_{IH} = 2 \text{ V}$	$V_O = 2.4 \text{ V}$			50	$\mu\text{A}$
			$V_O = 0.5 \text{ V}$			-50	
$I_I$	Input current at maximum input voltage	$V_{CC} = \text{MAX}$ ,	$V_I = 5.5 \text{ V}$			1	mA
$I_{IH}$	High-level input current	$V_{CC} = \text{MAX}$ ,	$V_I = 2.7 \text{ V}$			50	$\mu\text{A}$
$I_{IL}$	Low-level input current	$V_{CC} = \text{MAX}$ ,	$V_I = 0.5 \text{ V}$			-2	mA
$I_{OS}$	Short-circuit output current <sup>§</sup>	$V_{CC} = \text{MAX}$		-40		-100	mA
$I_{CC}$	Supply current	$V_{CC} = \text{MAX}$ ,	All inputs at 4.5 V, All outputs open		55	85	mA

<sup>†</sup> For conditions shown as MIN or MAX, use the appropriate value specified under recommended operating conditions for the applicable type.

<sup>‡</sup> All typical values are at  $V_{CC} = 5 \text{ V}$ ,  $T_A = 25^\circ\text{C}$ .

<sup>§</sup> Not more than one output should be shorted at a time, and duration of the short-circuit should not exceed one second.



# TYPES SN54S251, SN74S251

## DATA SELECTORS/MULTIPLEXERS WITH 3-STATE OUTPUTS

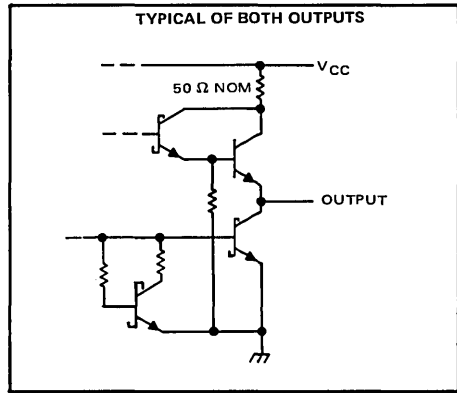
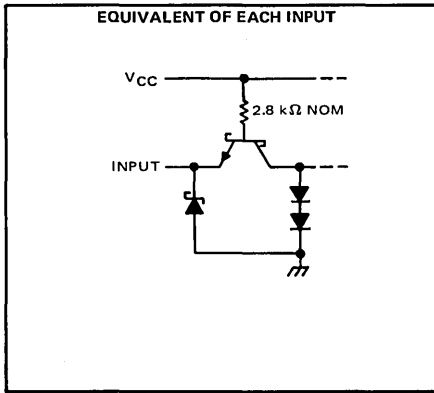
switching characteristics,  $V_{CC} = 5\text{ V}$ ,  $T_A = 25^\circ\text{C}$

PARAMETER†	FROM (INPUT)	TO (OUTPUT)	TEST CONDITIONS	MIN	TYP	MAX	UNIT
$t_{PLH}$	A, B, or C (4 levels)	Y	$C_L = 15\text{ pF}$ , $R_L = 280\ \Omega$ , See Note 2	12	18	ns	
$t_{PHL}$				13	19.5		
$t_{PLH}$	A, B, or C (3 levels)	W		10	15	ns	
$t_{PHL}$				9	13.5		
$t_{PLH}$	Any D	Y		8	12	ns	
$t_{PHL}$				8	12		
$t_{PLH}$	Any D	W		4.5	7	ns	
$t_{PHL}$				4.5	7		
$t_{ZH}$	Strobe	Y	$C_L = 50\text{ pF}$ , $R_L = 280\ \Omega$ , See Note 2	13	19.5	ns	
$t_{ZL}$				14	21		
$t_{ZH}$	Strobe	W		13	19.5	ns	
$t_{ZL}$				14	21		
$t_{HZ}$	Strobe	Y	$C_L = 5\text{ pF}$ , $R_L = 280\ \Omega$ , See Note 2	5.5	8.5	ns	
$t_{LZ}$				9	14		
$t_{HZ}$	Strobe	W		5.5	8.5	ns	
$t_{LZ}$				9	14		

†  $t_{PLH}$   $\equiv$  Propagation delay time, low-to-high-level output  
 $t_{PHL}$   $\equiv$  Propagation delay time, high-to-low-level output  
 $t_{ZH}$   $\equiv$  Output enable time to high level  
 $t_{ZL}$   $\equiv$  Output enable time to low level  
 $t_{HZ}$   $\equiv$  Output disable time from high level  
 $t_{LZ}$   $\equiv$  Output disable time from low level

NOTE 2: See load circuits and waveforms on page 3-10.

### schematics of inputs and outputs



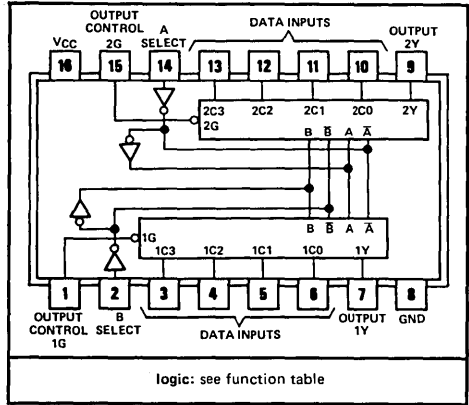
TTL  
MSI

# TYPES SN54LS253, SN74LS253 DUAL 4-LINE-TO-1-LINE DATA SELECTORS/MULTIPLEXERS WITH 3-STATE OUTPUTS

BULLETIN NO. DL-S 7611790, SEPTEMBER 1972—REVISED OCTOBER 1976

- Three-State Version of SN54LS153/SN74LS153
- Schottky-Diode-Clamped Transistors
- Permits Multiplexing from N Lines to 1 Line
- Performs Parallel-to-Serial Conversion
- Typical Average Propagation Delay Times:  
Data Input to Output . . . 12 ns  
Control Input to Output . . . 16 ns  
Select Input to Output . . . 21 ns
- Fully Compatible with Most TTL and DTL Circuits
- Low Power Dissipation . . . 35 mW Typical (Enabled)

SN54LS253 . . . J OR W PACKAGE  
SN74LS253 . . . J OR N PACKAGE  
(TOP VIEW)



**description**

Each of these Schottky-clamped data selectors/multiplexers contains inverters and drivers to supply fully complementary, on-chip, binary decoding data selection to the AND-OR gates. Separate output control inputs are provided for each of the two four-line sections.

The three-state outputs can interface with and drive data lines of bus-organized systems. With all but one of the common outputs disabled (at a high-impedance state) the low-impedance of the single enabled output will drive the bus line to a high or low logic level.

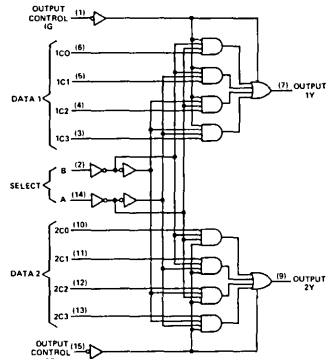
**logic**

**FUNCTION TABLE**

SELECT INPUTS		DATA INPUTS				OUTPUT CONTROL	OUTPUT
B	A	C0	C1	C2	C3	G	Y
X	X	X	X	X	X	H	Z
L	L	L	X	X	X	L	L
L	L	H	X	X	X	L	H
L	H	X	L	X	X	L	L
L	H	X	H	X	X	L	H
H	L	X	X	L	X	L	L
H	L	X	X	H	X	L	H
H	H	X	X	X	L	L	L
H	H	X	X	X	H	L	H

Address inputs A and B are common to both sections.  
H = high level, L = low level, X = irrelevant, Z = high impedance (off)

**functional block diagram**



**absolute maximum ratings over operating free-air temperature range (unless otherwise noted)**

Supply voltage, V <sub>CC</sub> (see Note 1)	7 V
Input voltage	7 V
Off-state output voltage	5.5 V
Operating free-air temperature range: SN54LS253	-55°C to 125°C
SN74LS253	0°C to 70°C
Storage temperature range	-65°C to 150°C

NOTE 1: Voltage values are with respect to network ground terminal.

# TYPES SN54LS253, SN74LS253 DUAL 4-LINE-TO-1-LINE DATA SELECTORS/ MULTIPLEXERS WITH 3-STATE OUTPUTS

REVISED OCTOBER 1976

## recommended operating conditions

	SN54LS253			SN74LS253			UNIT
	MIN	NOM	MAX	MIN	NOM	MAX	
Supply voltage, $V_{CC}$	4.5	5	5.5	4.75	5	5.25	V
High-level output current, $I_{OH}$			-1			-2.6	mA
Low-level output current, $I_{OL}$			4			8	mA
Operating free-air temperature, $T_A$	-55		125	0		70	°C

## electrical characteristics over recommended operating free-air temperature range (unless otherwise noted)

PARAMETER	TEST CONDITIONS†	SN54LS253		SN74LS253		UNIT		
		MIN	TYP‡	MAX	MIN		TYP‡	MAX
$V_{IH}$ High-level input voltage		2			2	V		
$V_{IL}$ Low-level input voltage				0.7		0.8	V	
$V_{IK}$ Input clamp voltage	$V_{CC} = \text{MIN}, I_I = -18 \text{ mA}$			-1.5		-1.5	V	
$V_{OH}$ High-level output voltage	$V_{CC} = \text{MIN}, V_{IH} = 2 \text{ V}, V_{IL} = V_{IL \text{ max}}, I_{OH} = \text{MAX}$	2.4	3.4		2.4	3.1	V	
$V_{OL}$ Low-level output voltage	$V_{CC} = \text{MIN}, V_{IH} = 2 \text{ V}, V_{IL} = V_{IL \text{ max}}$		$I_{OL} = 4 \text{ mA}$ $I_{OL} = 8 \text{ mA}$	0.25	0.4	0.25	0.4	V
$I_{OZ}$ Off-State (high-impedance state) output current	$V_{CC} = \text{MAX}, V_{IH} = 2 \text{ V}$			20		20	$\mu\text{A}$	
				-20		-20		
$I_I$ Input current at maximum input voltage	$V_{CC} = \text{MAX}, V_I = 7 \text{ V}$			0.1		0.1	mA	
$I_{IH}$ High-level input current	$V_{CC} = \text{MAX}, V_I = 2.7 \text{ V}$			20		20	$\mu\text{A}$	
$I_{IL}$ Low-level input current	$V_{CC} = \text{MAX}, V_I = 0.4 \text{ V}$			-0.4		-0.4	mA	
$I_{OS}$ Short-circuit output current§	$V_{CC} = \text{MAX}$	-30		-130	-30	-130	mA	
$I_{CC}$ Supply current	$V_{CC} = \text{MAX},$ See Note 2							
		Condition A	7	12	7	12	mA	
		Condition B	8.5	14	8.5	14		

†For conditions shown as MIN or MAX, use the appropriate value specified under recommended operating conditions.

‡All typical values are at  $V_{CC} = 5 \text{ V}, T_A = 25^\circ\text{C}$ .

§Not more than one output should be shorted at a time, and duration for the short-circuit should exceed one second.

NOTE 2:  $I_{CC}$  is measured with the outputs open under the following conditions:

- A. All inputs grounded.
- B. Output control at 4.5 V, all inputs grounded.

## switching characteristics, $V_{CC} = 5 \text{ V}, T_A = 25^\circ\text{C}$

PARAMETER¶	FROM (INPUT)	TO (OUTPUT)	TEST CONDITIONS		MIN	TYP	MAX	UNIT
$t_{PLH}$	Data	Y	$C_L = 15 \text{ pF}, R_L = 2 \text{ k}\Omega,$ See Note 3		17	25	ns	
$t_{PHL}$					13	20		
$t_{PLH}$	Select	Y			30	45	ns	
$t_{PHL}$					21	32		
$t_{ZH}$	Output Control	Y			15	28	ns	
$t_{ZL}$					15	23		
$t_{HZ}$	Output Control	Y	$C_L = 5 \text{ pF}, R_L = 2 \text{ k}\Omega,$ See Note 3		27	41	ns	
$t_{LZ}$			18	27				

¶ $t_{PLH}$  ≡ Propagation delay time, low-to-high-level output

$t_{PHL}$  ≡ Propagation delay time, high-to-low-level output

$t_{ZH}$  ≡ Output enable time to high level

$t_{ZL}$  ≡ Output enable time to low level

$t_{HZ}$  ≡ Output disable time from high level

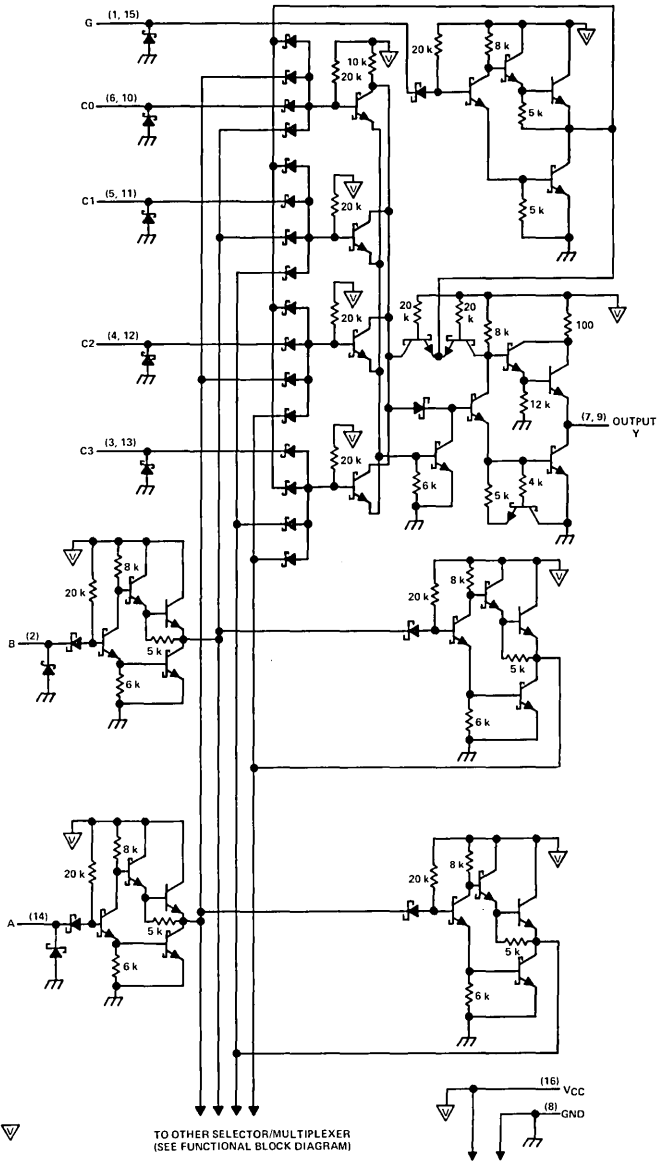
$t_{LZ}$  ≡ Output disable time from low level

NOTE 3: Load circuit and waveforms are shown on page 3-11.

# TYPES SN54LS253, SN74LS253 DUAL 4-LINE-TO-1-LINE DATA SELECTORS/ MULTIPLEXERS WITH 3-STATE OUTPUTS

REVISED OCTOBER 1976

schematic (each selector/multiplexer, and the common select section)



△ . . . VCC bus

Resistor values shown are nominal and in ohms.

# TYPES SN54LS257A, SN54LS258A, SN54S257, SN54S258, SN74LS257A, SN74LS258A, SN74S257, SN74S258 QUADRUPLE 2-LINE-TO-1-LINE DATA SELECTORS/MULTIPLEXERS

BULLETIN NO. DL-S 7711734, OCTOBER 1976—REVISED AUGUST 1977

- Three-State Outputs Interface Directly with System Bus
- 'LS257A and 'LS258A Offer Three Times the Sink-Current Capability of the Original 'LS257 and 'LS258
- Same Pin Assignments as SN54LS157, SN74LS157, SN54S157, SN74S157, and SN54LS158, SN74LS158, SN54S158, SN74S158
- Provides Bus Interface from Multiple Sources in High-Performance Systems

	AVERAGE PROPAGATION DELAY FROM DATA INPUT	TYPICAL POWER DISSIPATION <sup>◇</sup>
'LS257A	12 ns	60 mW
'LS258A	12 ns	60 mW
'S257	4.8 ns	320 mW
'S258	4 ns	280 mW

<sup>◇</sup> Off state (worst case)

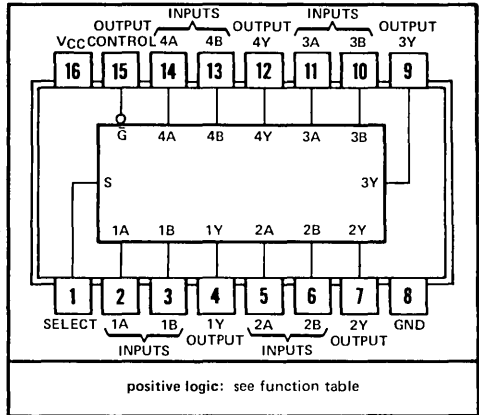
## description

These Schottky-clamped high-performance multiplexers feature three-state outputs that can interface directly with and drive data lines of bus-organized systems. With all but one of the common outputs disabled (at a high-impedance state) the low impedance of the single enabled output will drive the bus line to a high or low logic level. To minimize the possibility that two outputs will attempt to take a common bus to opposite logic levels, the output-enable circuitry is designed such that the output disable times are shorter than the output enable times.

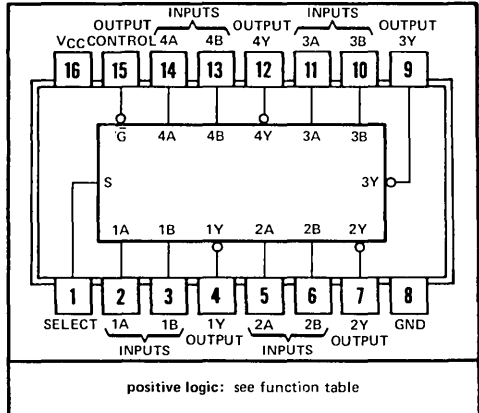
This three-state output feature means that n-bit (paralleled) data selectors with up to 258 sources can be implemented for data buses. It also permits the use of standard TTL registers for data retention throughout the system.

Series 54LS and 54S are characterized for operation over the full military temperature range of -55°C to 125°C; Series 74LS and 74S are characterized for operation from 0°C to 70°C.

SN54LS257A, SN54S257 . . . J OR W PACKAGE  
SN74LS257A, SN74S257 . . . J OR N PACKAGE  
(TOP VIEW)



SN54LS258A, SN54S258 . . . J OR W PACKAGE  
SN74LS258A, SN74S258 . . . J OR N PACKAGE  
(TOP VIEW)



FUNCTION TABLE

OUTPUT CONTROL	INPUTS			OUTPUT Y	
	SELECT	A	B	'LS257A 'S257	'LS258A 'S258
H	X	X	X	Z	Z
L	L	L	X	L	H
L	L	H	X	H	L
L	H	X	L	L	H
L	H	X	H	H	L

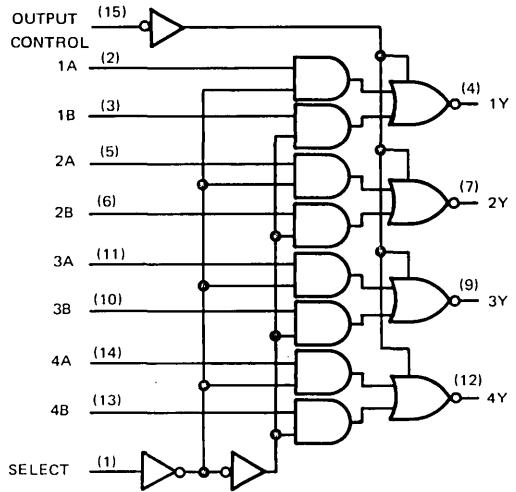
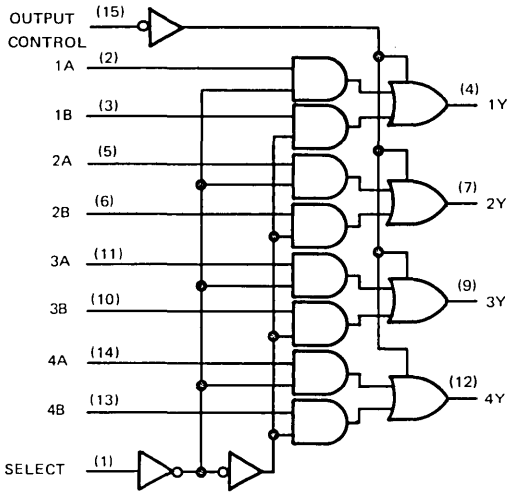
H = high level, L = low level, X = irrelevant, Z = high impedance,(off)

# TYPES SN54LS257A, SN54LS258A, SN54S257, SN54S258, SN74LS257A, SN74LS258A, SN74S257, SN74S258 QUADRUPLE 2-LINE-TO-1-LINE DATA SELECTORS/MULTIPLEXERS

functional block diagrams

'LS257A, 'S257

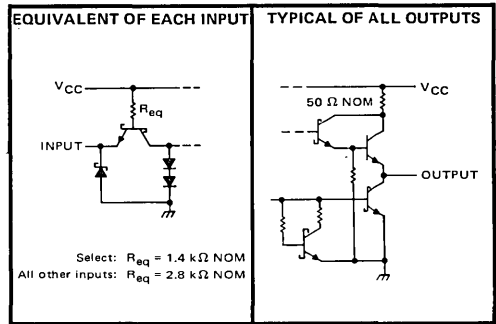
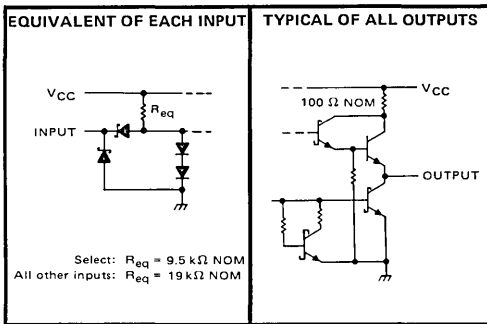
'LS258A, 'S258



schematics of inputs and outputs

'LS257A, 'LS258A

'S257, 'S258



absolute maximum ratings over operating free-air temperature range (unless otherwise noted)

Supply voltage, $V_{CC}$ (see Note 1)	7 V
Input voltage: 'LS257A, 'LS258A Circuits	7 V
'S257, 'S258 Circuits	5.5 V
Off-state output voltage	5.5 V
Operating free-air temperature range: SN54LS', SN54S' Circuits	-55°C to 125°C
SN74LS', SN74S' Circuits	0°C to 70°C
Storage temperature range	-65°C to 150°C

NOTE 1: Voltage values are with respect to network ground terminal.

# TYPES SN54LS257A, SN54LS258A, SN74LS257A, SN74LS258A QUADRUPLE 2-LINE-TO-1-LINE DATA SELECTORS/MULTIPLEXERS

REVISED AUGUST 1977

## recommended operating conditions

	SN54LS*			SN74LS*			UNIT
	MIN	NOM	MAX	MIN	NOM	MAX	
Supply voltage, $V_{CC}$	4.5	5	5.5	4.75	5	5.25	V
High-level output current, $I_{OH}$	-1			-2.6			mA
Low-level output current, $I_{OL}$	12			24			mA
Operating free-air temperature, $T_A$	-55			125			0 70 °C

## electrical characteristics over recommended operating free-air temperature range (unless otherwise noted)

PARAMETER		TEST CONDITIONS†	SN54LS*			SN74LS*			UNIT	
			MIN	TYP‡	MAX	MIN	TYP‡	MAX		
$V_{IH}$	High-level input voltage		2			2			V	
$V_{IL}$	Low-level input voltage		0.7			0.8			V	
$V_{IK}$	Input clamp voltage	$V_{CC} = \text{MIN}, I_I = -18 \text{ mA}$	-1.5			-1.5			V	
$V_{OH}$	High-level output voltage	$V_{CC} = \text{MIN}, V_{IH} = 2 \text{ V}, V_{IL} = V_{IL \text{ max}}, I_{OH} = \text{MAX}$	2.4	3.4		2.4	3.1		V	
$V_{OL}$	Low-level output voltage	$V_{CC} = \text{MIN}, V_{IH} = 2 \text{ V}, V_{IL} = V_{IL \text{ max}}$	$I_{OL} = 12 \text{ mA}$		0.25	0.4	0.25	0.4	V	
			$I_{OL} = 24 \text{ mA}$		0.35		0.5			
$I_{OZH}$	Off-state output current, high-level voltage applied	$V_{CC} = \text{MAX}, V_{IH} = 2 \text{ V}, V_O = 2.7 \text{ V}$	20			20			$\mu\text{A}$	
$I_{OZL}$	Off-state output current, low-level voltage applied	$V_{CC} = \text{MAX}, V_{IH} = 2 \text{ V}, V_O = 0.4 \text{ V}$	-20			-20			$\mu\text{A}$	
$I_I$	Input current at maximum input voltage	S input	$V_{CC} = \text{MAX}, V_I = 7 \text{ V}$			0.2			mA	
		Any other				0.1				
$I_{IH}$	High-level input current	S input	$V_{CC} = \text{MAX}, V_I = 2.7 \text{ V}$			40			$\mu\text{A}$	
		Any other				20				
$I_{IL}$	Low-level input current	S input	$V_{CC} = \text{MAX}, V_I = 0.4 \text{ V}$			-0.8			mA	
		Any other				-0.4				
$I_{OS}$	Short-circuit output current§	$V_{CC} = \text{MAX}$	-30	-130	-30	-130		mA		
$I_{CC}$	Supply current	All outputs high	$V_{CC} = \text{MAX},$ See Note 2		'LS257A	6.2	10	6.2	10	mA
		All outputs low				10	16	10	16	
		All outputs off				12	19	12	19	
		All outputs high				4.	7	4.5	7	
		All outputs low				8.8	14	8.8	14	
		All outputs off				12	19	12	19	

†For conditions shown as MIN or MAX, use the appropriate value specified under recommended operating conditions.

‡All typical values are at  $V_{CC} = 5 \text{ V}, T_A = 25^\circ\text{C}$ .

§Not more than one output should be shorted at a time and duration of the short-circuit should not exceed one second.

NOTE 2:  $I_{CC}$  is measured with all outputs open and all possible inputs grounded while achieving the stated output conditions.

## switching characteristics, $V_{CC} = 5 \text{ V}, T_A = 25^\circ\text{C}, R_L = 667 \Omega$

PARAMETER¶	FROM (INPUT)	TO (OUTPUT)	TEST CONDITIONS	'LS257A			'LS258A			UNIT
				MIN	TYP	MAX	MIN	TYP	MAX	
$t_{PLH}$	Data	Any	$C_L = 45 \text{ pF},$ See Note 3	12	18		12	18	ns	
$t_{PHL}$				12	18		12	18		
$t_{PLH}$	Select	Any		14	21		14	21	ns	
$t_{PHL}$				14	21		14	21		
$t_{PZH}$	Output Control	Any		20	30		20	30	ns	
$t_{PZL}$				20	30		20	30		
$t_{PHZ}$	Output Control	Any	$C_L = 5 \text{ pF},$ See Note 3	18	30		18	30	ns	
$t_{PLZ}$			16	25		16	25			

¶ $t_{PLH}$  = propagation delay time, low-to-high-level output

$t_{PHL}$  = propagation delay time, high-to-low-level output

$t_{PZH}$  = output enable time to high level

$t_{PZL}$  = output enable time to low level

$t_{PHZ}$  = output disable time from high level

$t_{PLZ}$  = output disable time from low level

NOTE 3: Load circuit and waveforms are shown on page 3-11.

### DESIGN GOAL

This page provides tentative information on a product in the developmental stage. Texas Instruments reserves the right to change or discontinue this product without notice.

**TEXAS INSTRUMENTS**  
INCORPORATED  
POST OFFICE BOX 5012 • DALLAS, TEXAS 75222

# TYPES SN54S257, SN54S258, SN74S257, SN74S258

## QUADRUPLE 2-LINE-TO-1-LINE DATA SELECTORS/MULTIPLEXERS

REVISED DECEMBER 1980

### recommended operating conditions

	SN54S'			SN74S'			UNIT
	MIN	NOM	MAX	MIN	NOM	MAX	
Supply voltage, $V_{CC}$	4.5	5	5.5	4.75	5	5.25	V
High-level output current, $I_{OH}$			-2			-6.5	mA
Low-level output current, $I_{OL}$			20			20	mA
Operating free-air temperature, $T_A$	-55		125	0		70	°C

### electrical characteristics over recommended operating free-air temperature range (unless otherwise noted)

PARAMETER		TEST CONDITIONS†	'S257			'S258			UNIT
			MIN	TYP‡	MAX	MIN	TYP‡	MAX	
$V_{IH}$	High-level input voltage		2			2			V
$V_{IL}$	Low-level input voltage				0.8			0.8	V
$V_{IK}$	Input clamp voltage	$V_{CC} = \text{MIN}, I_I = -18 \text{ mA}$			-1.2			-1.2	V
$V_{OH}$	High-level output voltage	$V_{CC} = \text{MIN}, V_{IH} = 2 \text{ V}, V_{IL} = 0.8 \text{ V}, I_{OH} = -1 \text{ mA}$	SN74S'			2.7			V
		$V_{CC} = \text{MIN}, V_{IH} = 2 \text{ V}, V_{IL} = 0.8 \text{ V}, I_{OH} = \text{MAX}$	SN54S'			2.4 3.4			
		$V_{CC} = \text{MIN}, V_{IH} = 2 \text{ V}, V_{IL} = 0.8 \text{ V}, I_{OH} = \text{MAX}$	SN74S'			2.4 3.2			
$V_{OL}$	Low-level output voltage	$V_{CC} = \text{MIN}, V_{IH} = 2 \text{ V}, V_{IL} = 0.8 \text{ V}, I_{OL} = 20 \text{ mA}$			0.5			0.5	V
$I_{OZH}$	Off-state output current, high-level voltage applied	$V_{CC} = \text{MAX}, V_{IH} = 2 \text{ V}, V_O = 2.4 \text{ V}$			50			50	μA
$I_{OZL}$	Off-state output current, low-level voltage applied	$V_{CC} = \text{MAX}, V_{IH} = 2 \text{ V}, V_O = 0.5 \text{ V}$			-50			-50	μA
$I_I$	Input current at maximum input voltage	$V_{CC} = \text{MAX}, V_I = 5.5 \text{ V}$			1			1	mA
$I_{IH}$	High-level input current	S input				100			μA
		Any other	$V_{CC} = \text{MAX}, V_I = 2.7 \text{ V}$			50			
$I_{IL}$	Low-level input current	S input				-4			mA
		Any other	$V_{CC} = \text{MAX}, V_I = 0.5 \text{ V}$			-2			
$I_{OS}$	Short-circuit output current§	$V_{CC} = \text{MAX}$	-40		-100	-40		-100	mA
$I_{CC}$	Supply current	All outputs high				44 68			mA
		All outputs low	$V_{CC} = \text{MAX}, \text{ See Note 2}$			60 93			
		All outputs off				64 99			

†For conditions shown as MIN or MAX, use the appropriate value specified under recommended operating conditions.

‡All typical values are at  $V_{CC} = 5 \text{ V}, T_A = 25^\circ\text{C}$ .

§Not more than one output should be shorted at a time and duration of the short-circuit should not exceed one second.

NOTE 2:  $I_{CC}$  is measured with all outputs open and all possible inputs grounded while achieving the stated output conditions.

### switching characteristics, $V_{CC} = 5 \text{ V}, T_A = 25^\circ\text{C}, R_L = 280 \Omega$

PARAMETER¶	FROM (INPUT)	TO (OUTPUT)	TEST CONDITIONS	'S257			'S258			UNIT
				MIN	TYP	MAX	MIN	TYP	MAX	
$t_{PLH}$	Data	Any	$C_L = 15 \text{ pF}, \text{ See Note 4}$	5 7.5			4 6			ns
$t_{PHL}$				4.5 6.5			4 6			
$t_{PLH}$	Select	Any		8.5 15			8 12			ns
$t_{PHL}$				8.5 15			7.5 12			
$t_{PZH}$	Output Control	Any		13 19.5			13 19.5			ns
$t_{PZL}$				14 21			14 21			
$t_{PHZ}$	Output Control	Any	5.5 8.5			5.5 8.5			ns	
$t_{PLZ}$			9 14			9 14				

¶ $t_{PLH}$  ≡ propagation delay time, low-to-high-level output

$t_{PHL}$  ≡ propagation delay time, high-to-low-level output

$t_{PZH}$  ≡ output enable time to high level

NOTE 4: Load circuit and waveforms are shown on pages 3-10.

$t_{PZL}$  ≡ output enable time to low level

$t_{PHZ}$  ≡ output disable time from high level

$t_{PLZ}$  ≡ output disable time from low level



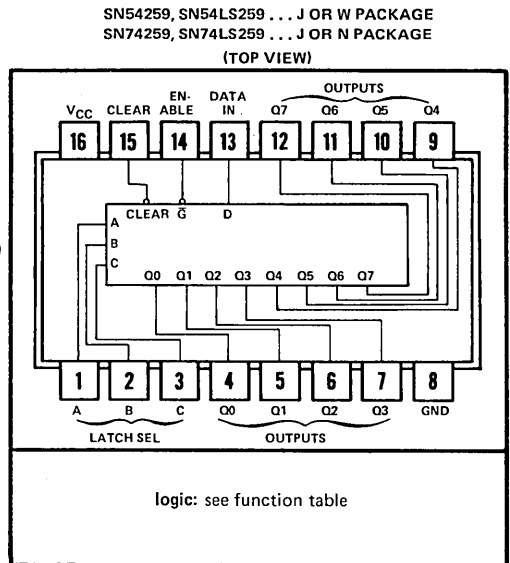
# TTL TYPES SN54259, SN54LS259, SN74259, SN74LS259 (TIM9906) MSI 8-BIT ADDRESSABLE LATCHES

BULLETIN NO. DL-S 7612347, OCTOBER 1976

- 8-Bit Parallel-Out Storage Register Performs Serial-to-Parallel Conversion With Storage
- Asynchronous Parallel Clear
- Active High Decoder
- Enable/Disable Input Simplifies Expansion
- Direct Replacement for Fairchild 9334
- Expandable for N-Bit Applications
- Four Distinct Functional Modes
- Typical Propagation Delay Times:

	'259	'LS259
Enable-to-Output . . .	12	17
Data-to-Output . . .	12	18
Address-to-Output . .	16	20
Clear-to-Output . . .	16	20

- Fan-Out
  - $I_{OL}$  (Sink Current)
    - '259 . . . . . 16 mA
    - SN54LS259 . . . . . 4 mA
    - SN74LS259 . . . . . 8 mA
  - $I_{OH}$  (Source Current)
    - '259 . . . . . -0.8 mA
    - 'LS259 . . . . . -0.4 mA
- Typical  $I_{CC}$ 
  - '259 . . . . . 60 mA
  - 'LS259 . . . . . 22 mA



## description

These 8-bit addressable latches are designed for general purpose storage applications in digital systems. Specific uses include working registers, serial-holding registers, and active-high decoders or demultiplexers. They are multifunctional devices capable of storing single-line data in eight addressable latches, and being a 1-of-8 decoder or demultiplexer with active-high outputs.

Four distinct modes of operation are selectable by controlling the clear and enable inputs as enumerated in the function table. In the addressable-latch mode, data at the data-in terminal is written into the addressed latch. The addressed latch will follow the data input with all unaddressed latches remaining in their previous states. In the memory mode, all latches remain in their previous states and are unaffected by the data or address inputs. To eliminate the possibility of entering erroneous data in the latches, the enable should be held high (inactive) while the address lines are changing. In the 1-of-8 decoding or demultiplexing mode, the addressed output will follow the level of the D input with all other outputs low. In the clear mode, all outputs are low and unaffected by the address and data inputs.

FUNCTION TABLE

INPUTS		OUTPUT OF ADDRESSED LATCH	EACH OTHER OUTPUT	FUNCTION
CLEAR	G			
H	L	D	$Q_{i0}$	Addressable Latch
H	H	$Q_{i0}$	$Q_{i0}$	Memory
L	L	D	L	8-Line Demultiplexer
L	H	L	L	Clear

LATCH SELECTION TABLE

SELECT INPUTS			LATCH
C	B	A	ADDRESSED
L	L	L	0
L	L	H	1
L	H	L	2
L	H	H	3
H	L	L	4
H	L	H	5
H	H	L	6
H	H	H	7

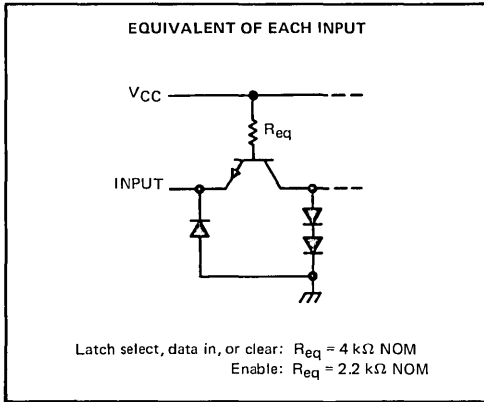
H  $\equiv$  high level, L  $\equiv$  low level  
D  $\equiv$  the level at the data input  
 $Q_{i0}$   $\equiv$  the level of  $Q_i$  ( $i = 0, 1, \dots, 7$ , as appropriate) before the indicated steady-state input conditions were established.

# TYPES SN54259, SN54LS259, SN74259, SN74LS259 (TIM9906)

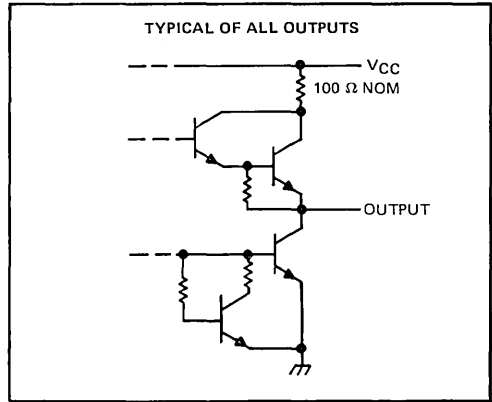
## 8-BIT ADDRESSABLE LATCHES

### schematic of inputs and outputs

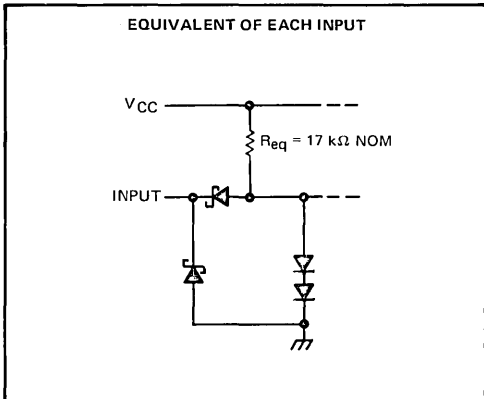
'259



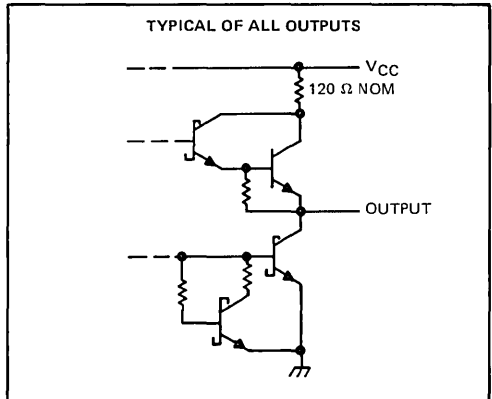
'259



'LS259



'LS259



### absolute maximum ratings over operating free-air temperature range (unless otherwise noted)

Supply voltage (see Note 1)	7 V
Input voltage: SN54259, SN74259	5.5 V
SN54LS259, SN74LS259	7 V
Operating free-air temperature range: SN54259, SN54LS259	-55°C to 125°C
SN74259, SN74LS259	0°C to 70°C
Storage temperature range	-65°C to 150°C

NOTE 1: Voltage values are with respect to network ground terminal.

7

# TYPES SN54259, SN74259

## 8-BIT ADDRESSABLE LATCHES

### recommended operating conditions

	SN54259			SN74259			UNIT
	MIN	NOM	MAX	MIN	NOM	MAX	
Supply voltage, $V_{CC}$	4.5	5	5.5	4.75	5	5.25	V
High-level output current, $I_{OH}$	-800			-800			$\mu$ A
Low-level output current, $I_{OL}$	16			16			mA
Width of clear or enable pulse, $t_w$	15			15			ns
Setup time, $t_{su}$	Data	15 $\uparrow$		15 $\uparrow$		ns	
	Address	5 $\uparrow$		5 $\uparrow$			
Hold time, $t_h$	Data	0 $\uparrow$		0 $\uparrow$		ns	
	Address	20 $\uparrow$		20 $\uparrow$			
Operating free-air temperature, $T_A$	-55		125	0		70	$^{\circ}$ C

$\uparrow$ The arrow indicates that the rising edge of the enable pulse is used for reference.

### electrical characteristics over recommended operating free-air temperature range (unless otherwise noted)

PARAMETER	TEST CONDITIONS $\dagger$	SN54259		SN74259		UNIT
		MIN	TYP $\ddagger$	MAX	MIN	
$V_{IH}$ High-level input voltage		2		2		V
$V_{IL}$ Low-level input voltage		0.8		0.8		V
$V_{IK}$ Input clamp voltage	$V_{CC} = \text{MIN}, I_I = 12 \text{ mA}$	-1.5		-1.5		V
$V_{OH}$ High-level output voltage	$V_{CC} = \text{MIN}, V_{IH} = 2 \text{ V}, V_{IL} = 0.8 \text{ V}, I_{OH} = -800 \mu\text{A}$	2.4	3.4	2.4	3.4	V
$V_{OL}$ Low-level output voltage	$V_{CC} = \text{MIN}, V_{IH} = 2 \text{ V}, V_{IL} = 0.8 \text{ V}, I_{OL} = 16 \text{ mA}$	0.2	0.4	0.2	0.4	V
$I_I$ Input current at maximum input voltage	$V_{CC} = \text{MAX}, V_I = 5.5 \text{ V}$	1		1		mA
$I_{IH}$ High-level input current	Enable	80		80		$\mu$ A
	Other inputs	40		40		
$I_{IL}$ Low-level input current	Enable	-3.2		-3.2		mA
	Other inputs	-1.6		-1.6		
$I_{OS}$ Short-circuit output current $\S$	$V_{CC} = \text{MAX}$	-18	-57	-18	-57	mA
$I_{CC}$ Supply current	$V_{CC} = \text{MAX},$ See Note 2	60	90	60	90	mA

$\dagger$  For conditions shown as MIN or MAX, use the appropriate value specified under recommended operating conditions.

$\ddagger$  All typical values are at  $V_{CC} = 5 \text{ V}, T_A = 25^{\circ}\text{C}$ .

$\S$  Not more than one output should be shorted at a time.

NOTE 2:  $I_{CC}$  is measured with the inputs grounded and the outputs open.

### switching characteristics, $V_{CC} = 5 \text{ V}, T_A = 25^{\circ}\text{C}$

PARAMETER	FROM (INPUT)	TO (OUTPUT)	TEST CONDITIONS	MIN	TYP	MAX	UNIT
$t_{PHL}$	Clear	Any Q	$C_L = 15 \text{ pF}, R_L = 400 \Omega,$ See Note 3	16	25		ns
$t_{PLH}$	Data	Any Q		14	24		ns
$t_{PHL}$				11	20		ns
$t_{PLH}$	Address	Any Q		15	28		ns
$t_{PHL}$				17	28		ns
$t_{PLH}$	Enable	Any Q		12	20		ns
$t_{PHL}$			11	20			

$t_{PLH}$   $\equiv$  propagation delay time, low-to-high-level output

$t_{PHL}$   $\equiv$  propagation delay time, high-to-low-level output

NOTE 3: Load circuit is shown on page 3-10.

# TYPES SN54LS259, SN74LS259 (TIM9906)

## 8-BIT ADDRESSABLE LATCHES

REVISED DECEMBER 1980

### recommended operating conditions

	SN54LS259			SN74LS259			UNIT
	MIN	NOM	MAX	MIN	NOM	MAX	
Supply voltage, $V_{CC}$	4.5	5	5.5	4.75	5	5.25	V
High-level output current, $I_{OH}$			-400			-400	$\mu$ A
Low-level output current, $I_{OL}$			4			8	mA
Width of clear or enable pulse, $t_w$	15			15			ns
Setup time, $t_{su}$	Data	15 $\uparrow$		15 $\uparrow$			ns
	Address	15 $\uparrow$		15 $\uparrow$			
Hold time, $t_h$	Data	5 $\uparrow$		5 $\uparrow$			ns
	Address	15 $\uparrow$		15 $\uparrow$			
Operating free-air temperature, $T_A$	-55	125		0	70		$^{\circ}$ C

$\uparrow$ The arrow indicates that the rising edge of the enable pulse is used for reference.

### electrical characteristics over recommended operating free-air temperature range (unless otherwise noted)

PARAMETER	TEST CONDITIONS $\dagger$	SN54LS259		SN74LS259		UNIT	
		MIN	TYP $\ddagger$	MAX	MIN		TYP $\ddagger$
$V_{IH}$ High level input voltage		2			2	V	
$V_{IL}$ Low level input voltage				0.7		0.8	
$V_{IK}$ Input clamp voltage	$V_{CC} = \text{MIN}, I_I = -18 \text{ mA}$			-1.5		-1.5	
$V_{OH}$ High-level output voltage	$V_{CC} = \text{MIN}, V_{IH} = 2 \text{ V}$ $V_{IL} = V_{IL} \text{ max}, I_{OH} = -0.4 \text{ mA}$	2.5	3.4		2.7	3.4	
$V_{OL}$ Low-level output voltage	$V_{CC} = \text{MIN}, V_{IH} = 2 \text{ V},$ $V_{IL} = V_{IL} \text{ max.}$			0.25	0.4	0.25	0.4
						0.35	0.5
$I_I$ Input current at maximum input voltage	$V_{CC} = \text{MAX}, V_I = 7 \text{ V}$			0.1		0.1	
$I_{IH}$ High-level input current	$V_{CC} = \text{MAX}, V_I = 2.7 \text{ V}$			20		20	
$I_{IL}$ Low-level input current	$V_{CC} = \text{MAX}, V_I = 0.4 \text{ V}$			-0.4		-0.4	
$I_{OS}$ Short-circuit output current $\S$	$V_{CC} = \text{MAX}$	-20		-100		-20	-100
$I_{CC}$ Supply current	$V_{CC} = \text{MAX},$ See Note 2		22	36		22	36

$\dagger$  For conditions shown as MIN or MAX, use the appropriate value specified under recommended operating conditions.

$\ddagger$  All typical values are at  $V_{CC} = 5 \text{ V}, T_A = 25^{\circ}\text{C}$ .

$\S$  Not more than one output should be shorted at a time, and duration short-circuit should not exceed one second.

NOTE 2:  $I_{CC}$  is measured with the inputs grounded and the outputs open.

### switching characteristics, $V_{CC} = 5 \text{ V}, T_A = 25^{\circ}\text{C}$

PARAMETER	FROM (INPUT)	TO (OUTPUT)	TEST CONDITIONS	MIN	TYP	MAX	UNIT		
$t_{PHL}$	Clear	Any Q	$C_L = 15 \text{ pF},$ $R_L = 2 \text{ k}\Omega,$ See Note 3		17	27	ns		
$t_{PLH}$	Data	Any Q			20	32			
$t_{PHL}$				Address	Any Q		13	21	ns
$t_{PLH}$		24				38			
$t_{PHL}$	Enable	Any Q					18	29	ns
$t_{PLH}$							22	35	
$t_{PHL}$					15	24	ns		

$t_{PLH}$  = propagation delay time, low-to-high-level output

$t_{PHL}$  = propagation delay time, high-to-low-level output

NOTE 3: Load circuit is shown on page 3-11.

7

- Fast Multiplication . . . 5-Bit Product in 26 ns Typ
- Power Dissipation . . . 110 mW Typical
- Latch Outputs for Synchronous Operation
- Expandable for m-Bit-by-n-Bit Applications
- Fully Compatible with Most TTL and Other Saturated Low-Level Logic Families
- Diode-Clamped Inputs Simplify System Design

description

These low-power Schottky circuits are designed to be used in parallel multiplication applications. They perform binary multiplication in two's-complement form, two bits at a time.

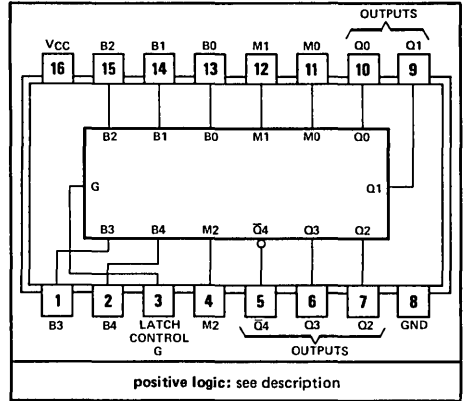
The M inputs are for the multiplier bits and the B inputs are for the multiplicand. The Q outputs represent the partial product as a recoded base-4 number. This recoding effectively reduces the Wallace-tree hardware requirements by a factor of two.

The outputs represent partial products in one's-complement form generated as a result of multiplication. A simple rounding scheme using two additional gates is needed for each partial product to generate two's complement.

The leading (most-significant) bit of the product is inverted for ease in extending the sign to square (left justify) the partial-product bits.

The SN54LS261 is characterized for operation over the full military temperature range of  $-55^{\circ}\text{C}$  to  $125^{\circ}\text{C}$ ; the SN74LS261 for operation from  $0^{\circ}\text{C}$  to  $70^{\circ}\text{C}$ .

SN54LS261 . . . J OR W PACKAGE  
SN74LS261 . . . J OR N PACKAGE  
(TOP VIEW)



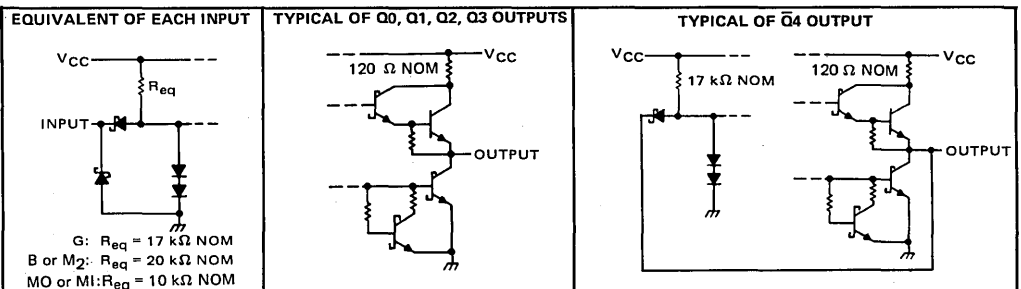
positive logic: see description

FUNCTION TABLE

LATCH CONTROL G	INPUTS MULTIPLIER			OUTPUTS				
	M2	M1	M0	$\bar{Q}_4$	Q3	Q2	Q1	Q0
L	X	X	X	$\bar{Q}_{40}$	Q <sub>30</sub>	Q <sub>20</sub>	Q <sub>10</sub>	Q <sub>00</sub>
H	L	L	L	H	L	L	L	L
H	L	L	H	$\bar{B}_4$	B <sub>4</sub>	B <sub>3</sub>	B <sub>2</sub>	B <sub>1</sub>
H	L	H	L	$\bar{B}_4$	B <sub>4</sub>	B <sub>3</sub>	B <sub>2</sub>	B <sub>1</sub>
H	L	H	H	$\bar{B}_4$	B <sub>3</sub>	B <sub>2</sub>	B <sub>1</sub>	B <sub>0</sub>
H	H	L	L	B <sub>4</sub>	$\bar{B}_3$	$\bar{B}_2$	$\bar{B}_1$	$\bar{B}_0$
H	H	L	H	B <sub>4</sub>	$\bar{B}_4$	$\bar{B}_3$	$\bar{B}_2$	$\bar{B}_1$
H	H	H	L	B <sub>4</sub>	$\bar{B}_4$	$\bar{B}_3$	$\bar{B}_2$	$\bar{B}_1$
H	H	H	H	H	L	L	L	L

H = high level, L = low level, X = irrelevant  
 $\bar{Q}_{40}$  . . .  $Q_{00}$  = The logic level of the same output before the high-to-low transition of G.  
 B<sub>4</sub> . . . B<sub>0</sub> = The logic level of the indicated multiplicand (B) input.

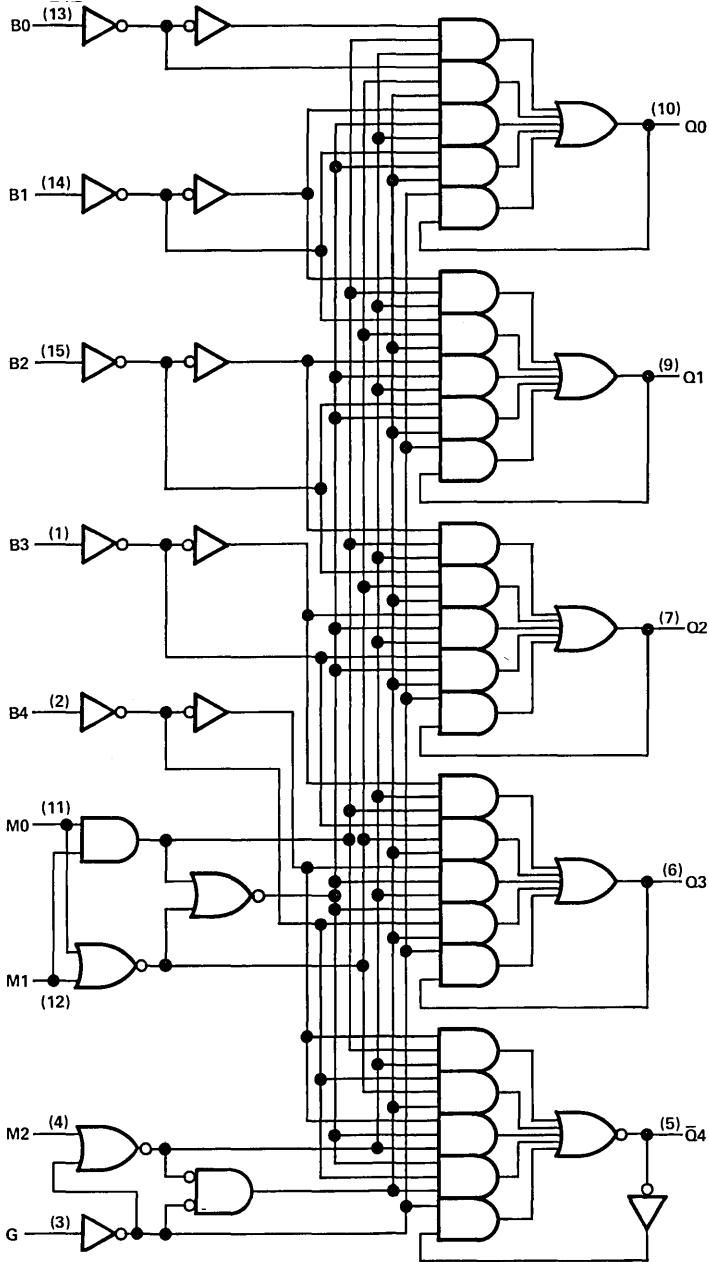
schematics of inputs and outputs



# TYPES SN54LS261, SN74LS261

## 2-BIT-BY-4-BIT PARALLEL BINARY MULTIPLIERS

functional block diagram



7

# TYPES SN54LS261, SN74LS261

## 2-BIT-BY-4-BIT PARALLEL BINARY MULTIPLIERS

REVISED DECEMBER 1980

absolute maximum ratings over operating free-air temperature range (unless otherwise noted)

Supply voltage, $V_{CC}$ (see Note 1)	7 V
Input voltage	7 V
Operating free-air temperature range: SN54LS261	-55°C to 125°C
SN74LS261	0°C to 70°C
Storage temperature range	-65°C to 150°C

NOTE 1: Voltage values are with respect to network ground terminal.

recommended operating conditions

	SN54LS261			SN74LS261			UNIT
	MIN	NOM	MAX	MIN	NOM	MAX	
Supply voltage, $V_{CC}$	4.5	5	5.5	4.75	5	5.25	V
High-level output current, $I_{OH}$	-400			-400			$\mu$ A
Low-level output current, $I_{OL}$	4			8			mA
Width of enable pulse, $t_w$	25			25			ns
Setup time, $t_{su}$	Any M input	17↓		17↓		ns	
	Any B input	15↓		15↓			
Hold time, $t_h$	Any M input	0↓		0↓		ns	
	Any B input	0↓		0↓			
Operating free-air temperature, $T_A$	-55		125	0	70		°C

↓ The arrow indicates that the falling edge of the enable pulse is used for reference.

electrical characteristics over recommended operating free-air temperature range (unless otherwise noted)

PARAMETER	TEST CONDITIONS†	SN54LS261			SN74LS261			UNIT
		MIN	TYP‡	MAX	MIN	TYP‡	MAX	
$V_{IH}$ High-level input voltage		2			2			V
$V_{IL}$ Low-level input voltage				0.7			0.8	V
$V_{IK}$ Input clamp voltage	$V_{CC} = \text{MIN}, I_I = -18 \text{ mA}$			-1.5			-1.5	V
$V_{OH}$ High-level output voltage	$V_{CC} = \text{MIN}, V_{IH} = 2 \text{ V}, V_{IL} = V_{IL \text{ max}}, I_{OH} = -400 \mu\text{A}$	2.5	3.4		2.7	3.4		V
$V_{OL}$ Low-level output voltage	$V_{CC} = \text{MIN}, V_{IH} = 2 \text{ V}, V_{IL} = V_{IL \text{ max}}$	$I_{OL} = 4 \text{ mA}$	0.25	0.4	0.25	0.4		V
		$I_{OL} = 8 \text{ mA}$			0.35	0.5		
$I_I$ Input current at maximum input voltage	$V_{CC} = \text{MAX}, V_I = 7 \text{ V}$	MO or MI		0.2		0.2		mA
		All others		0.1		0.1		
$I_{IH}$ High-level input current	$V_{CC} = \text{MAX}, V_I = 2.7 \text{ V}$	MO or MI		40		40		$\mu$ A
		All others		20		20		
$I_{IL}$ Low-level input current	$V_{CC} = \text{MAX}, V_I = 0.4 \text{ V}$	MO or MI		-0.8		-0.8		mA
		All others		-0.4		-0.4		
$I_{OS}$ Short-circuit output current§	$V_{CC} = \text{MAX}$	-20		-100	-20		-100	mA
$I_{CC}$ Supply current	$V_{CC} = \text{MAX},$ All inputs at 0 V, Outputs open.		20	38		20	40	mA

‡ All typical values are at  $V_{CC} = 5 \text{ V}, T_A = 25^\circ\text{C}$ .

§ Not more than one output should be shorted at a time and duration of the output short-circuit should not exceed one second.

switching characteristics,  $V_{CC} = 5 \text{ V}, T_A = 25^\circ\text{C}$

PARAMETER¶	FROM (INPUT)	TO (OUTPUT)	TEST CONDITIONS	MIN	TYP	MAX	UNIT
$t_{PLH}$	Enable G	Any Q	$C_L = 15 \text{ pF},$ $R_L = 2 \text{ k}\Omega,$ See Note 2		22	35	ns
$t_{PHL}$					20	30	ns
$t_{PLH}$	Any M input	Any Q			25	40	ns
$t_{PHL}$					22	35	ns
$t_{PLH}$	Any B input	Any Q			27	42	ns
$t_{PHL}$					24	37	ns

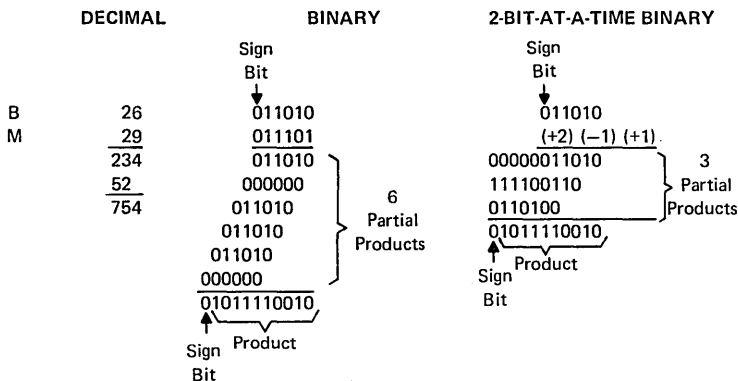
¶  $t_{PLH}$  = propagation delay time, low-to-high-level output;  $t_{PHL}$  = propagation delay time, high-to-low-level output.

NOTE 2: Load circuit and voltage waveforms are shown on page 3-11.

# TYPES SN54LS261, SN74LS261 2-BIT-BY-4-BIT PARALLEL BINARY MULTIPLIERS

## TYPICAL APPLICATION DATA

Multiplication of the numbers 26 (multiplicand) by 29 (multiplier) in decimal, binary, and 2-bit-at-a-time-binary is shown here:

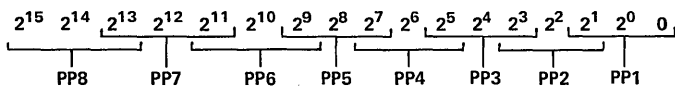


Two points should be noted in the two-bit-at-a-time-binary example above. First, in positioning the partial products beneath each other for final addition, each partial product is shifted two places to the left of the partial products above it instead of one place as is done in regular multiplication. Second, the msb of the partial product (the sign bit) is extended to the sign-bit column of the final answer.

A substantial reduction of multiplication time, cost, and power is obtained by implementing a parallel partial-product-generation scheme using a 2-bit-at-a-time algorithm, followed by a Wallace Tree summation.

Partial-product-generation rules of the algorithm are:

1. Examine two bits of multiplier M plus the next lower bit. For the first partial product (PP1) the next lower bit is zero.



7



# TYPES SN54LS261, SN74LS261

## 2-BIT-BY-4-BIT PARALLEL BINARY MULTIPLIERS

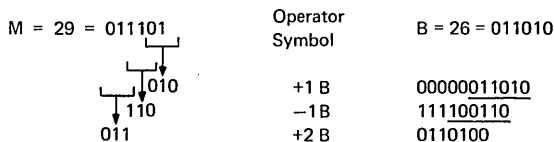
### TYPICAL APPLICATION DATA

2. Generate partial product (PPi) as shown in the following table:

MULTIPLIER BITS FROM STEP 1			OPERATOR SYMBOL	TO OBTAIN PARTIAL PRODUCT
$2^{2i-1}$	$2^{2i-2}$	$2^{2i-3}$		
0	0	0	0	Replace multiplicand by zero
0	0	1	+1 B	Copy multiplicand
0	1	0	+1 B	Copy multiplicand
0	1	1	+2 B	Shift multiplicand left one bit
1	0	0	-2 B	Shift two's complement of multiplicand left one bit
1	0	1	-1 B	Replace multiplicand by two's complement
1	1	0	-1 B	Replace multiplicand by two's complement
1	1	1	0	Replace multiplicand by zero

- Weight the partial products by indexing each two places left relative to the next-less-significant product.
- Extend the most-significant bit of the partial product to the sign-bit place value of the final product.

#### EXAMPLE OF ALGORITHM

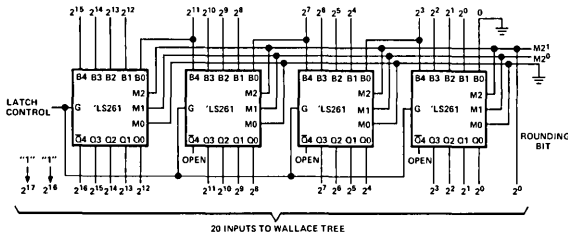


The summation of these partial products was shown in the 2-bit-at-a-time binary multiplication example above.

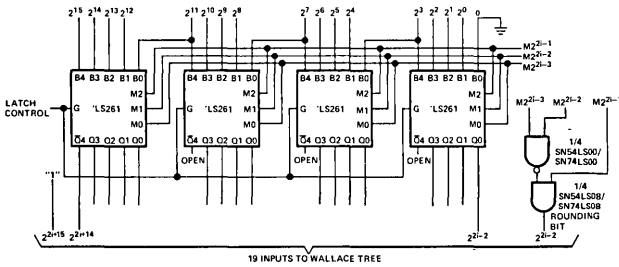
The 'LS261 generates partial products according to this algorithm with two exceptions:

- The one's complement is generated for the cases requiring the two's complement. The two's complement can be obtained by adding one to the one's complement; this rounding can be done by using one NAND gate and one AND gate as shown in Figure B.
- The most-significant bit is complemented to reduce the hardware required to extend the sign bit. This extension can be accomplished by adding a hard-wired logic 1 in bit position  $2^{2i+15}$  of each partial product and also in bit position  $2^{16}$  of the first partial product (PP1).

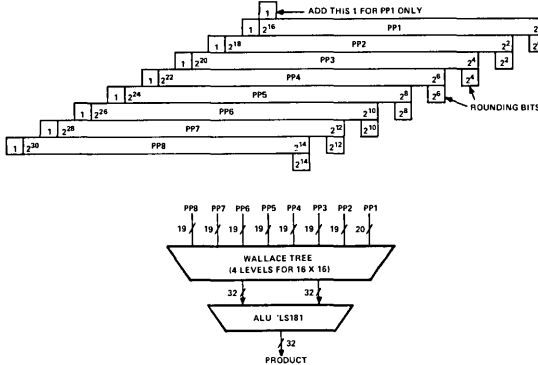
# TYPES SN54LS261, SN74LS261 2-BIT-BY-4-BIT PARALLEL BINARY MULTIPLIERS



**FIGURE A—FIRST PARTIAL PRODUCT, PP1**



**FIGURE B—OTHER PARTIAL PRODUCTS, PPI**



In general, the 4 x 2 bit 'LS261 can be expanded for use in 4m x 2n bit multipliers. Partial-product generation uses m x n 'LS261s m x n ÷ 16 'LS00s, and m x n ÷ 16 'LS08s. The size of the Wallace tree and ALU requirements vary depending on the size of the problem. The count for the 16 x 16 bit multiplier is:

- 32 SN54LS261/SN74LS261
- 2 SN54LS00/SN74LS00
- 2 SN54LS08/SN74LS08
- 56 SN54LS183/SN74LS183
- 7 SN54LS181/SN74LS181
- 2 SN54S182/SN74S182

TTL  
MSI

# TYPES SN54LS266, SN74LS266 QUADRUPLE 2-INPUT EXCLUSIVE-NOR GATES WITH OPEN-COLLECTOR OUTPUTS

BULLETIN NO. DL-S 7611843, DECEMBER 1972—REVISED OCTOBER 1976

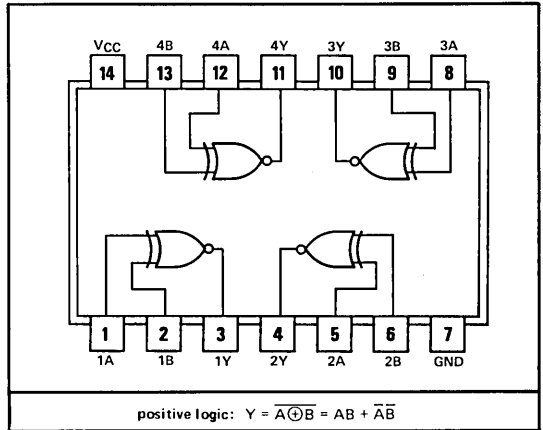
- Can Be Used as a 4-Bit Digital Comparator
- Input Clamping Diodes Simplify System Design
- Fully Compatible with Most TTL and DTL Circuits

FUNCTION TABLE

INPUTS		OUTPUT
A	B	Y
L	L	H
L	H	L
H	L	L
H	H	H

H = high level, L = low level

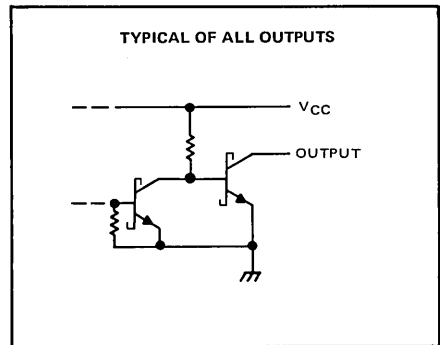
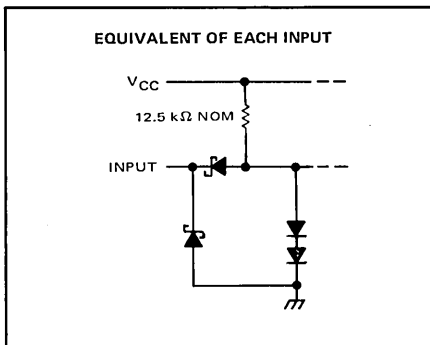
SN54LS266 . . . J OR W PACKAGE  
SN74LS266 . . . J OR N PACKAGE  
(TOP VIEW)



## description

The 'LS266 is comprised of four independent 2-input exclusive-NOR gates with open-collector outputs. The open-collector outputs permit tying outputs together for multiple-bit comparisons.

## schematics of inputs and outputs



7

# TYPES SN54LS266, SN74LS266 QUADRUPLE 2-INPUT EXCLUSIVE-NOR GATES WITH OPEN-COLLECTOR OUTPUTS

REVISED OCTOBER 1976

## absolute maximum ratings over operating free-air temperature range (unless otherwise noted)

Supply voltage, $V_{CC}$ (see Note 1)	7 V
Input voltage	7 V
Operating free-air temperature range: SN54LS266	-55°C to 125°C
SN74LS266	0°C to 70°C
Storage temperature range	-65°C to 150°C

NOTE 1: Voltage values are with respect to network ground terminal.

## recommended operating conditions

	SN54LS266			SN74LS266			UNIT
	MIN	NOM	MAX	MIN	NOM	MAX	
Supply voltage, $V_{CC}$	4.5	5	5.5	4.75	5	5.25	V
High-level output voltage, $V_{OH}$	5.5			5.5			V
Low-level output current, $I_{OL}$	4			8			mA
Operating free-air temperature, $T_A$	-55			0			°C
	125			70			

## electrical characteristics over recommended operating free-air temperature range (unless otherwise noted)

PARAMETER	TEST CONDITIONS†	SN54LS266			SN74LS266			UNIT
		MIN	TYP‡	MAX	MIN	TYP‡	MAX	
$V_{IH}$ High-level input voltage		2			2			V
$V_{IL}$ Low-level input voltage		0.7			0.8			V
$V_{IK}$ Input clamp voltage	$V_{CC} = \text{MIN}, I_I = -18 \text{ mA}$	-1.5			-1.5			V
$I_{OH}$ High-level output current	$V_{CC} = \text{MIN}, V_{IH} = 2 \text{ V}, V_{IL} = V_{IL \text{ max}}, V_{OH} = 5.5 \text{ V}$	100			100			μA
$V_{OL}$ Low-level output voltage	$V_{CC} = \text{MIN}, V_{IH} = 2 \text{ V}, V_{IL} = V_{IL \text{ max}}, I_{OL} = 4 \text{ mA}$	0.25 0.4			0.25 0.4			V
	$I_{OL} = 8 \text{ mA}$				0.35 0.5			
$I_I$ Input current at maximum input voltage	$V_{CC} = \text{MAX}, V_I = 7 \text{ V}$	0.2			0.2			mA
$I_{IH}$ High-level input current	$V_{CC} = \text{MAX}, V_I = 2.7 \text{ V}$	40			40			μA
$I_{IL}$ Low-level input current	$V_{CC} = \text{MAX}, V_I = 0.4 \text{ V}$	-0.8			-0.8			mA
$I_{CC}$ Supply current	$V_{CC} = \text{MAX},$ See Note 2	8 13			8 13			mA

†For conditions shown as MIN or MAX, use the appropriate value specified under recommended operating conditions for the applicable type.

‡All typical values are at  $V_{CC} = 5 \text{ V}, T_A = 25^\circ \text{C}$ .

NOTE 2:  $I_{CC}$  is measured with one input of each gate at 4.5 V, the other inputs grounded, and the outputs open.

## switching characteristics, $V_{CC} = 5 \text{ V}, T_A = 25^\circ \text{C}$

PARAMETER¶	FROM (INPUT)	TEST CONDITIONS		MIN	TYP	MAX	UNIT
$t_{PLH}$	A or B	Other input low	$C_L = 15 \text{ pF}, R_L = 2 \text{ k}\Omega,$ See Note 3	18 30		ns	
$t_{PHL}$				18 30			
$t_{PLH}$	A or B	Other input high		18 30		ns	
$t_{PHL}$				18 30			

¶  $t_{PLH}$  ≡ propagation delay time, low-to-high-level output

¶  $t_{PHL}$  ≡ propagation delay time, high-to-low-level output

NOTE 3: Load circuit and voltage waveforms are shown on page 3-11.

TTL  
MSI

# TYPES SN54273, SN54LS273, SN74273, SN74LS273 OCTAL D-TYPE FLIP-FLOP WITH CLEAR

BULLETIN NO. DL-S 7612091, OCTOBER 1976

- Contains Eight Flip-Flops with Single-Rail Outputs
- Buffered Clock and Direct Clear Inputs
- Individual Data Input to Each Flip-Flop
- Applications Include:  
Buffer/Storage Registers  
Shift Registers  
Pattern Generators

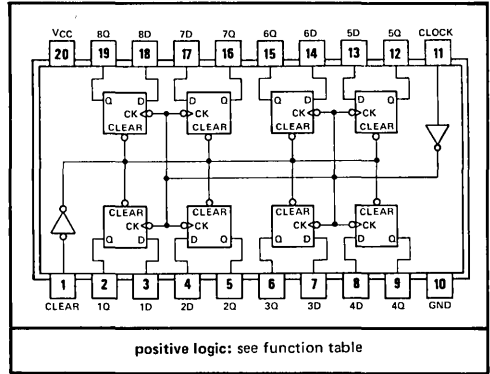
## description

These monolithic, positive-edge-triggered flip-flops utilize TTL circuitry to implement D-type flip-flop logic with a direct clear input.

Information at the D inputs meeting the setup time requirements is transferred to the Q outputs on the positive-going edge of the clock pulse. Clock triggering occurs at a particular voltage level and is not directly related to the transition time of the positive-going pulse. When the clock input is at either the high or low level, the D input signal has no effect at the output.

These flip-flops are guaranteed to respond to clock frequencies ranging from 0 to 30 megahertz while maximum clock frequency is typically 40 megahertz. Typical power dissipation is 39 milliwatts per flip-flop for the '273 and 10 milliwatts for the 'LS273.

SN54273, SN54LS273 . . . J PACKAGE  
SN74273, SN74LS273 . . . J OR N PACKAGE



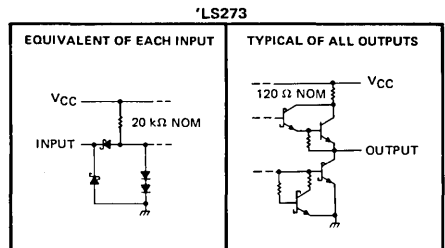
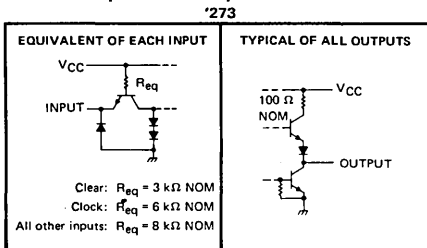
positive logic: see function table

FUNCTION TABLE  
(EACH FLIP-FLOP)

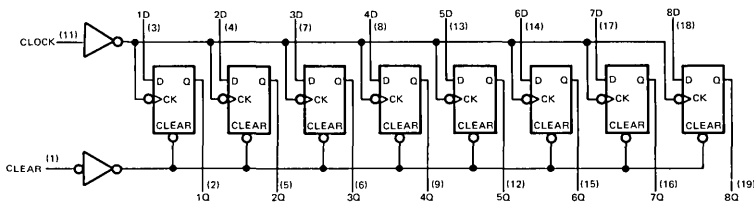
INPUTS			OUTPUT
CLEAR	CLOCK	D	Q
L	X	X	L
H	↑	H	H
H	↑	L	L
H	L	X	Q <sub>0</sub>

See explanation of function tables on page 3-8.

## schematics of inputs and output



## functional block diagram



# TYPES SN54273, SN74273

## OCTAL D-TYPE FLIP-FLOP WITH CLEAR

### absolute maximum ratings over operating free-air temperature range (unless otherwise noted)

Supply voltage, $V_{CC}$ (see Note 1)	7 V
Input voltage	5.5 V
Operating free-air temperature range: SN54273	-55°C to 125°C
SN74273	0°C to 70°C
Storage temperature range	-65°C to 150°C

NOTE 1: Voltage values are with respect to network ground terminal.

### recommended operating conditions

		SN54273			SN74273			UNIT		
		MIN	NOM	MAX	MIN	NOM	MAX			
Supply voltage, $V_{CC}$		4.5	5	5.5	4.75	5	5.25	V		
High-level output current, $I_{OH}$		-800			-800			$\mu$ A		
Low-level output current, $I_{OL}$		16			16			mA		
Clock frequency, $f_{clock}$		0			30			MHz		
Width of clock or clear pulse, $t_w$		16.5			16.5			ns		
Set-up time, $t_{su}$	Data input	20†			20†			ns		
	Clear inactive state	25†			25†					
Data hold time, $t_h$		5†			5†			ns		
Operating free-air temperature, $T_A$		-55			125			0	70	°C

†The arrow indicates that the rising edge of the clock pulse is used for reference.

### electrical characteristics over recommended operating free-air temperature range (unless otherwise noted)

PARAMETER		TEST CONDITIONS†	MIN	TYP‡	MAX	UNIT
$V_{IH}$	High-level input voltage		2			V
$V_{IL}$	Low-level input voltage		0.8			V
$V_{IK}$	Input clamp voltage	$V_{CC} = \text{MIN}, I_I = -12 \text{ mA}$	-1.5			V
$V_{OH}$	High-level output voltage	$V_{CC} = \text{MIN}, V_{IH} = 2 \text{ V}, V_{IL} = 0.8 \text{ V}, I_{OH} = -800 \mu\text{A}$	2.4	3.4		V
$V_{OL}$	Low-level output voltage	$V_{CC} = \text{MIN}, V_{IH} = 2 \text{ V}, V_{IL} = 0.8 \text{ V}, I_{OL} = 16 \text{ mA}$	0.4			V
$I_I$	Input current at maximum input voltage	$V_{CC} = \text{MAX}, V_I = 5.5 \text{ V}$	1			mA
$I_{IH}$	High-level input current	Clear	80			$\mu$ A
		Clock or D	40			
$I_{IL}$	Low-level input current	Clear	-3.2			mA
		Clock or D	-1.6			
$I_{OS}$	Short-circuit output current§	$V_{CC} = \text{MAX}$	-18	-57		mA
$I_{CC}$	Supply current	$V_{CC} = \text{MAX}, \text{ See Note 2}$	62	94		mA

†For conditions shown as MIN or MAX, use the appropriate value specified under recommended operating conditions.

‡All typical values are at  $V_{CC} = 5 \text{ V}, T_A = 25^\circ\text{C}$ .

§Not more than one output should be shorted at a time.

NOTE 2: With all outputs open and 4.5 V applied to all data and clear inputs,  $I_{CC}$  is measured after a momentary ground, then 4.5 V, is applied to clock.

### switching characteristics, $V_{CC} = 5 \text{ V}, T_A = 25^\circ\text{C}$

PARAMETER		TEST CONDITIONS	MIN	TYP	MAX	UNIT
$f_{max}$	Maximum clock frequency	$C_L = 15 \text{ pF},$ $R_L = 400 \Omega,$ See Note 3	30	40		MHz
$t_{PHL}$	Propagation delay time, high-to-low-level output from clear		18	27		ns
$t_{PLH}$	Propagation delay time, low-to-high-level output from clock		17	27		ns
$t_{PHL}$	Propagation delay time, high-to-low-level output from clock		18	27		ns

NOTE 3: Load circuit and voltage waveforms are shown on page 3-10.

7

# TYPES SN54LS273, SN74LS273

## OCTAL D-TYPE FLIP-FLOP WITH CLEAR

absolute maximum ratings over operating free-air temperature range (unless otherwise noted)

Supply voltage, $V_{CC}$ (see Note 1)	7 V
Input voltage	7 V
Operating free-air temperature range: SN54LS273	-55°C to 125°C
SN74LS273	0°C to 70°C
Storage temperature range	65°C to 150°C

NOTE 1: Voltage values are with respect to network ground terminal

recommended operating conditions

	SN54LS273			SN74LS273			UNIT
	MIN	NOM	MAX	MIN	NOM	MAX	
Supply voltage, $V_{CC}$	4.5	5	5.5	4.75	5	5.25	V
High-level output current, $I_{OH}$			-400			-400	$\mu$ A
Low-level output current, $I_{OL}$			4			8	mA
Clock frequency, $f_{clock}$	0		30	0		30	MHz
Width of clock or clear pulse, $t_w$		20			20		ns
Set-up time, $t_{su}$	Data input		20†	Data input		20†	ns
	Clear inactive state		25†	Clear inactive state		25†	
Data hold time, $t_h$		5†			5†		ns
Operating free-air temperature, $T_A$		-55	125		0	70	°C

†The arrow indicates that the rising edge of the clock pulse is used for reference.

electrical characteristics over recommended operating free-air temperature range (unless otherwise noted)

PARAMETER	TEST CONDITIONS†	SN54LS273		SN74LS273		UNIT
		MIN	TYP‡ MAX	MIN	TYP‡ MAX	
$V_{IH}$ High-level input voltage		2		2		V
$V_{IL}$ Low-level input voltage			0.7		0.8	V
$V_{IK}$ Input clamp voltage	$V_{CC} = \text{MIN}, I_I = -18 \text{ mA}$		-1.5		-1.5	V
$V_{OH}$ High-level output voltage	$V_{CC} = \text{MIN}, V_{IH} = 2 \text{ V}, V_{IL} = V_{ILmax}, I_{OH} = -400 \mu\text{A}$	2.5	3.4	2.7	3.4	V
$V_{OL}$ Low-level output voltage	$V_{CC} = \text{MIN}, V_{IH} = 2 \text{ V}, I_{OL} = 4 \text{ mA}$		0.25 0.4		0.25 0.4	V
	$V_{IL} = V_{ILmax}, I_{OL} = 8 \text{ mA}$				0.35 0.5	
$I_I$ Input current at maximum input voltage	$V_{CC} = \text{MAX}, V_I = 7 \text{ V}$		0.1		0.1	mA
$I_{IH}$ High-level input current	$V_{CC} = \text{MAX}, V_I = 2.7 \text{ V}$		20		20	$\mu$ A
$I_{IL}$ Low-level input current	$V_{CC} = \text{MAX}, V_I = -0.4 \text{ V}$		-0.4		-0.4	mA
$I_{OS}$ Short-circuit output current §	$V_{CC} = \text{MAX}$	-20	-100	-20	-100	mA
$I_{CC}$ Supply current	$V_{CC} = \text{MAX},$ See Note 2		17 27		17 27	mA

†For conditions shown as MIN or MAX, use the appropriate value specified under recommended operating conditions.

‡All typical values are at  $V_{CC} = 5 \text{ V}, T_A = 25^\circ\text{C}$ .

§Not more than one output should be shorted at a time and duration of short circuit should not exceed one second.

NOTE 2: With all outputs open and 4.5 V applied to all data and clear inputs,  $I_{CC}$  is measured after a momentary ground, then 4.5 V is applied to clock.

switching characteristics,  $V_{CC} = 5 \text{ V}, T_A = 25^\circ\text{C}$

PARAMETER	TEST CONDITIONS	MIN	TYP	MAX	UNIT
$f_{max}$ Maximum clock frequency		30	40		MHz
$t_{PHL}$ Propagation delay time, high-to-low-level output from clear	$C_L = 15 \text{ pF},$		18	27	ns
$t_{PLH}$ Propagation delay time, low-to-high-level output from clock	$R_L = 2 \text{ k}\Omega,$		17	27	ns
$t_{PHL}$ Propagation delay time, high-to-low-level output from clock	See Note 4		18	27	ns

NOTE 4: Load circuit and voltage waveforms are shown on page 3-11.

# TYPES SN54LS275, SN54S274, SN54S275, SN74LS275, SN74S274, SN74S275

## 4-BIT-BY-4-BIT BINARY MULTIPLIER WITH 3-STATE OUTPUTS 7-BIT-SLICE WALLACE TREES WITH 3-STATE OUTPUTS

BULLETIN NO. DLS 7612121, OCTOBER 1976

- 'S274 Provides 8-Bit Product in Typically 45 ns
- 'S274 Can Provide Sub-Multiple Products for n-Bit-by-n-Bit Binary Numbers
- 'LS275 and 'S275 Accept 7 Bit-Slice Inputs and 2 Carry Inputs for Reduction to 4 Lines in Typically 45 ns
- These High-Complexity Functions Can Reduce Package Count by Nearly 50% in Most Parallel Multiplier Designs
- When SN74S274 is Combined With SN74H183 (or SN74LS183) and Schottky Look-Ahead Adders, Multiplication Times are Typically:

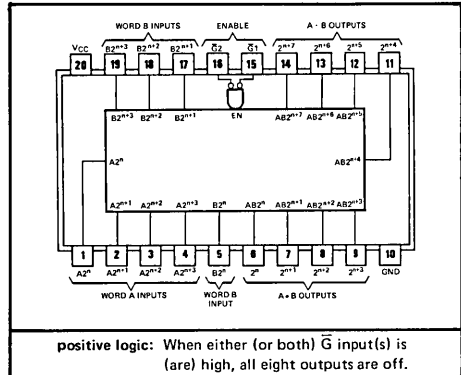
16-Bit Product in 75 ns (79 ns)  
32-Bit Product in 116 ns (132 ns)

### description

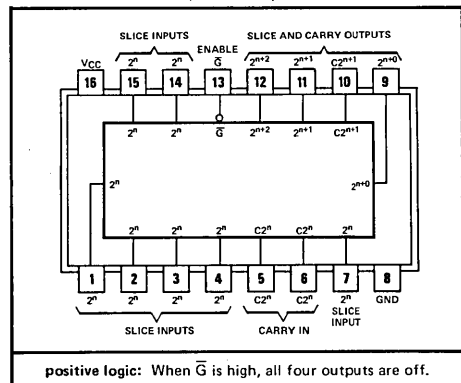
These high-complexity Schottky-clamped TTL circuits are designed specifically to reduce the delay time required to perform high-speed parallel binary multiplication and significantly reduce package count. The 'S274 is a basic 4-bit-by-4-bit parallel multiplier in a single package, and as such, no additional components are required to obtain an 8-bit product. For word lengths longer than 4 bits, a number of 'S274 multipliers can be combined to generate sub-multiple partial products. These partial products can then be combined in Wallace trees to obtain the final product. See Typical Application Data.

The 'LS275 and 'S275 expandable bit-slice Wallace trees have been designed to accept up to seven bit-slice inputs and two carry inputs from previous slices for reduction to four lines.

SN54S274 . . . J PACKAGE  
SN74S274 . . . J OR N PACKAGE  
(TOP VIEW)



SN54LS275, SN54S275 . . . J PACKAGE  
SN74LS275, SN74S275 . . . J OR N PACKAGE  
(TOP VIEW)

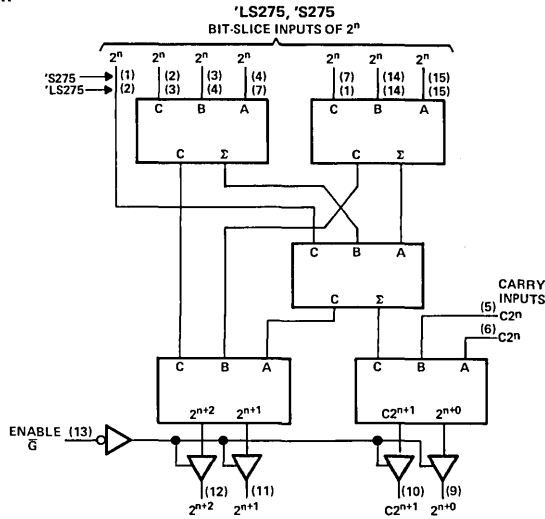


7



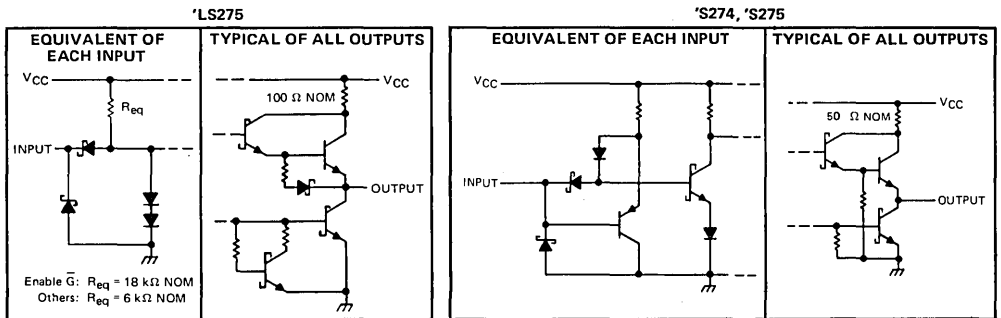
# TYPES SN54LS275, SN54S274, SN54S275, SN74LS275, SN74S274, SN74S275 4-BIT-BY-4-BIT BINARY MULTIPLIER WITH 3-STATE OUTPUTS 7-BIT-SLICE WALLACE TREES WITH 3-STATE OUTPUTS

functional block diagram



NOTE: When one of the C<sup>2<sup>n</sup></sup> carry inputs is not used, it must be grounded. If neither C<sup>2<sup>n</sup></sup> carry input is used, both C<sup>2<sup>n</sup></sup> inputs are grounded and the C<sup>2<sup>n+1</sup></sup> output is normally left open.

## schematics of inputs and outputs



## absolute maximum ratings over operating free-air temperature range (unless otherwise noted)

Supply voltage, V <sub>CC</sub> (see Note 1)	7 V
Input voltage: 'LS275	7 V
'S274, 'S275	5.5 V
Off-state output voltage: 'LS275	7 V
'S274, 'S275	5.5 V
Operating free-air temperature range: SN54LS, SN54S Circuits	-55°C to 125°C
SN74LS, SN74S Circuits	0°C to 70°C
Storage temperature range	-65°C to 150°C

NOTE 1: Voltage values are with respect to network ground terminal.

# TYPES SN54LS275, SN74LS275

## 7-BIT-SLICE WALLACE TREES WITH 3-STATE OUTPUTS

REVISED AUGUST 1977

### recommended operating conditions

	SN54LS275			SN74LS275			UNIT
	MIN	NOM	MAX	MIN	NOM	MAX	
Supply voltage, $V_{CC}$	4.5	5	5.5	4.75	5	5.25	V
High-level output current, $I_{OH}$			-1			-2.6	mA
Low-level output current, $I_{OL}$			12			24	mA
Operating free-air temperature, $T_A$	-55		125	0		70	°C

### electrical characteristics over recommended operating free-air temperature range (unless otherwise noted)

PARAMETER		TEST CONDITIONS†	SN54LS275			SN74LS275			UNIT
			MIN	TYP‡	MAX	MIN	TYP‡	MAX	
$V_{IH}$	High-level input voltage		2			2			V
$V_{IL}$	Low-level input voltage		0.7			0.8			V
$V_{IK}$	Input clamp voltage	$V_{CC} = \text{MIN}, I_I = -18 \text{ mA}$	-1.5			-1.5			V
$V_{OH}$	High-level output voltage	$V_{CC} = \text{MIN}, V_{IH} = 2 \text{ V}, V_{IL} = V_{IL\text{max}}, I_{OH} = \text{MAX}$	2.4	3.2		2.4	3.1		V
$V_{OL}$	Low-level output voltage	$V_{CC} = \text{MIN}, V_{IH} = 2 \text{ V}, V_{IL} = V_{IL\text{max}}, I_{OL} = 12 \text{ mA}$	0.25	0.4		0.25	0.4		V
		$I_{OL} = 24 \text{ mA}$				0.35	0.5		
$I_{OZH}$	Off-state output current, high-level voltage applied	$V_{CC} = \text{MAX}, V_{IH} = 2 \text{ V}, V_O = 2.7 \text{ V}$	20			20			µA
$I_{OZL}$	Off-state output current, low-level voltage applied	$V_{CC} = \text{MAX}, V_{IH} = 2 \text{ V}, V_O = 0.4 \text{ V}$	-20			-20			µA
$I_I$	Input current at maximum input voltage	Enable $\bar{G}$	0.1			0.1			mA
		All others	0.3			0.3			
$I_{IH}$	High-level input current	Enable $\bar{G}$	20			20			µA
		All others	60			60			
$I_{IL}$	Low-level input current	Enable $\bar{G}$	-0.4			-0.4			mA
		All others	-1.2			-1.2			
$I_{OS}$	Short-circuit output current§	$V_{CC} = \text{MAX}$	-30	-130		-30	-130		mA
$I_{CC}$	Supply current	$V_{CC} = \text{MAX}$	25 40			25 40			mA

† For conditions shown as MIN or MAX, use the appropriate value specified under recommended operating conditions.

‡ All typical values are at  $V_{CC} = 5 \text{ V}, T_A = 25^\circ\text{C}$ .

§ Not more than one output should be shorted at a time and duration of the short-circuit should not exceed one second.

### switching characteristics, $V_{CC} = 5 \text{ V}, T_A = 25^\circ\text{C}$

PARAMETER¶	FROM (INPUT)	TO (OUTPUT)	TEST CONDITIONS	MIN	TYP	MAX	UNIT
$t_{PLH}$	Any Slice or Carry	Any	$C_L = 45 \text{ pF}, R_L = 667 \Omega$ , See Note 2	35		62	ns
$t_{PHL}$				42		66	
$t_{PZH}$	Enable $\bar{G}$	Any	$C_L = 45 \text{ pF}, R_L = 667 \Omega$ , See Note 2	8		23	ns
$t_{PZL}$				13		23	
$t_{PHZ}$				10		15	ns
$t_{PLZ}$				10		15	

¶  $t_{PLH}$  ≡ Propagation delay time, low-to-high-level output

$t_{PHL}$  ≡ Propagation delay time, high-to-low-level output

$t_{PZH}$  ≡ Output enable time to high level

$t_{PZL}$  ≡ Output enable time to low level

$t_{PHZ}$  ≡ Output disable time from high level

$t_{PLZ}$  ≡ Output disable time from low level

NOTE 2: Load circuit and voltage waveforms are shown on page 3-11.

# TYPES SN54S274, SN54S275, SN74S274, SN74S275

## 4-BIT-BY-4-BIT BINARY MULTIPLIER WITH 3-STATE OUTPUTS

## 7-BIT-SLICE WALLACE TREES WITH 3-STATE OUTPUTS

### recommended operating conditions

	SN54S274 SN54S275			SN74S274 SN74S275			UNIT
	MIN	NOM	MAX	MIN	NOM	MAX	
Supply voltage, $V_{CC}$	4.5	5	5.5	4.75	5	5.25	V
High-level output current, $I_{OH}$			-2			-6.5	mA
Low-level output current, $I_{OL}$			12			12	mA
Operating free-air temperature, $T_A$	-55		125	0		70	°C

### electrical characteristics over recommended operating free-air temperature range (unless otherwise noted)

PARAMETER	TEST CONDITIONS†	SN54S274 SN54S275			SN74S274 SN74S275			UNIT
		MIN	TYP‡	MAX	MIN	TYP‡	MAX	
$V_{IH}$ High-level input voltage		2			2			V
$V_{IL}$ Low-level input voltage				0.8			0.8	V
$V_{IK}$ Input clamp voltage	$V_{CC} = \text{MIN}, I_I = -18 \text{ mA}$			-1.2			-1.2	V
$V_{OH}$ High-level output voltage	$V_{CC} = \text{MIN}, V_{IH} = 2 \text{ V}, V_{IL} = 0.8 \text{ V}, I_{OH} = \text{MAX}$	2.4	3.4		2.4	3.2		V
$V_{OL}$ Low-level output voltage	$V_{CC} = \text{MIN}, V_{IH} = 2 \text{ V}, V_{IL} = 0.8 \text{ V}, I_{OL} = 12 \text{ mA}$			0.5			0.5	V
$I_{OZH}$ Off-state output current, high-level voltage applied	$V_{CC} = \text{MAX}, V_{IH} = 2 \text{ V}, V_O = 2.4 \text{ V}$			50			50	μA
$I_{OZL}$ Off-state output current, low-level voltage applied	$V_{CC} = \text{MAX}, V_{IH} = 2 \text{ V}, V_O = 0.5 \text{ V}$			-50			-50	μA
$I_I$ Input current at maximum input voltage	$V_{CC} = \text{MAX}, V_I = 5.5 \text{ V}$			1			1	mA
$I_{IH}$ High-level input current	$V_{CC} = \text{MAX}, V_I = 2.7 \text{ V}$			25			25	μA
$I_{IL}$ Low-level input current	$V_{CC} = \text{MAX}, V_I = 0.5 \text{ V}$			-0.25			-0.25	mA
$I_{OS}$ Short-circuit output current‡	$V_{CC} = \text{MAX}$	-30		-100	-30		-100	mA
$I_{CC}$ Supply current	$V_{CC} = \text{MAX}$		105	155		105	155	mA

### switching characteristics over recommended ranges of $T_A$ and $V_{CC}$ (unless otherwise noted)

PARAMETER ¶	FROM (INPUT)	TO (OUTPUT)	TEST CONDITIONS	SN54S274 SN54S275			SN74S274 SN74S275			UNIT
				MIN	TYP‡	MAX	MIN	TYP‡	MAX	
$t_{PHL}$	Any A or B ('S274), or Any Slice or Carry ('S275)	Any	$C_L = 30 \text{ pF}, R_L = 400 \Omega,$ See Note 3	50	95		50	70	ns	
$t_{PLH}$				50	95		50	70		
$t_{PZH}$	Any Enable	Any	$C_L = 5 \text{ pF}, R_L = 400 \Omega,$ See Note 3	15	45		15	30	ns	
$t_{PZL}$				15	45		15	30		
$t_{PHZ}$				10	40		10	25		
$t_{PLZ}$				10	40		10	25		

† For conditions shown as MIN or MAX, use the appropriate value specified under recommended operating conditions.

‡ All typical values are at  $V_{CC} = 5 \text{ V}, T_A = 25^\circ \text{C}$ .

§ Not more than one output should be shorted at a time and duration of the short-circuit should not exceed one second.

¶  $t_{PLH}$  ≡ Propagation delay time, low-to-high-level output

$t_{PHL}$  ≡ Propagation delay time, high-to-low-level output

$t_{PZH}$  ≡ Output enable time to high level

$t_{PZL}$  ≡ Output enable time to low level

$t_{PHZ}$  ≡ Output disable time from high level

$t_{PLZ}$  ≡ Output disable time from low level

NOTE 3: Load circuit and voltage waveforms are shown on page 3-10.

# TYPES SN54LS275, SN54S274, SN54S275, SN74LS275, SN74S274, SN74S275 4-BIT-BY-4-BIT BINARY MULTIPLIER WITH 3-STATE OUTPUTS 7-BIT-SLICE WALLACE TREES WITH 3-STATE OUTPUTS

## TYPICAL APPLICATION DATA

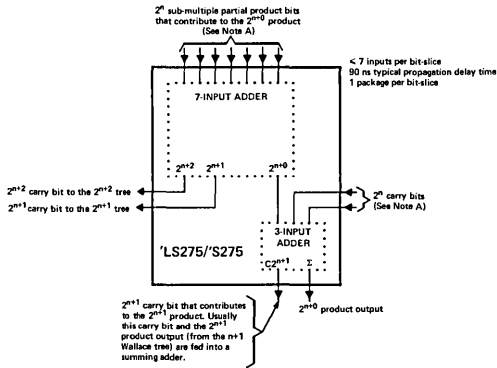


FIGURE 1—BASIC BIT-SLICE WALLACE TREE

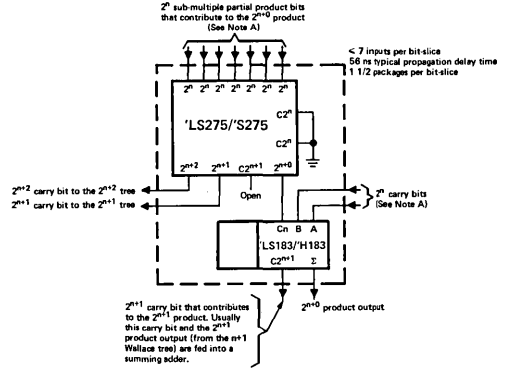


FIGURE 2—HIGH-SPEED BIT-SLICE WALLACE TREE

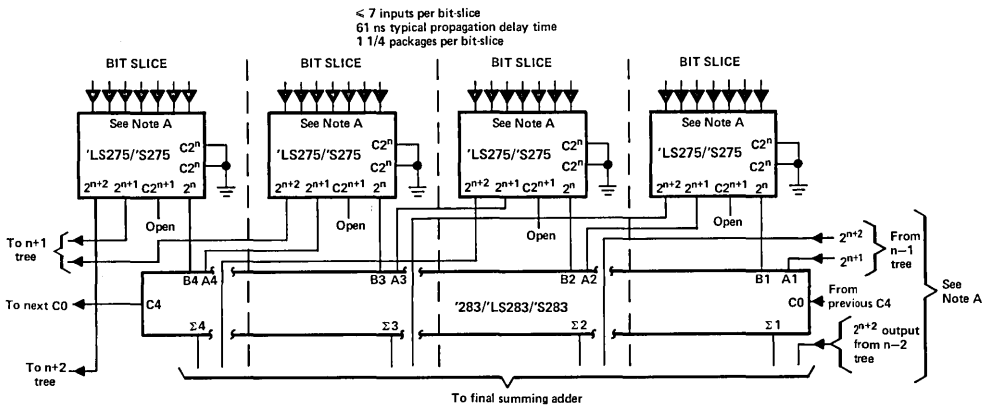
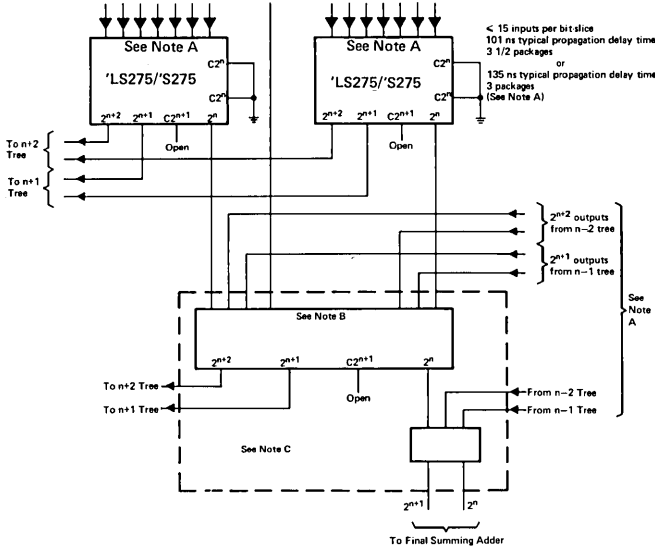


FIGURE 3—MODERATE-SPEED BIT-SLICE WALLACE TREE

NOTE A: All unused inputs must be grounded.

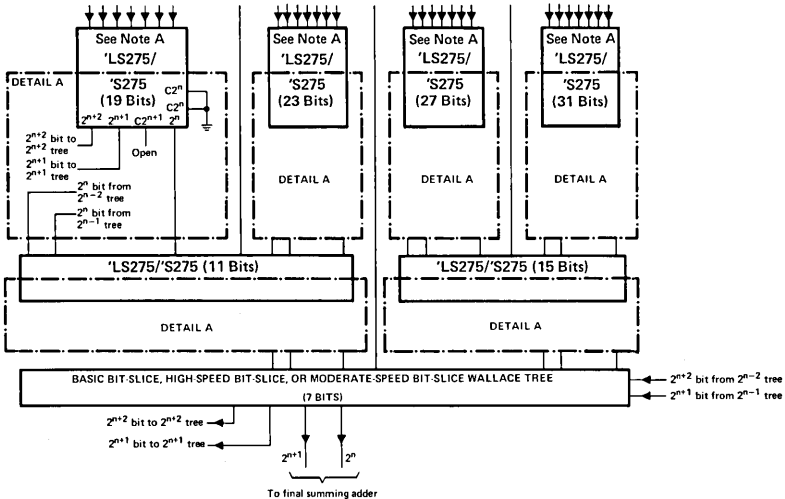
# TYPES SN54LS275, SN54S274, SN54S275, SN74LS275, SN74S274, SN74S275 4-BIT-BY-4-BIT BINARY MULTIPLIER WITH 3-STATE OUTPUTS 7-BIT-SLICE WALLACE TREES WITH 3-STATE OUTPUTS

## TYPICAL APPLICATION DATA



- NOTES: A. Ground unused inputs.  
 B. These outputs from preceding trees may go to any of the inputs of the 'LS275'/S275.  
 C. The circuit within the dotted lines may be either the basic bit-slice Wallace tree or the high-speed Wallace tree. In the latter case both carry inputs of the 'LS275'/S275 must be grounded.

FIGURE 4—15-BIT-SLICE WALLACE TREE FOR 32-BIT X 32-BIT MULTIPLIER

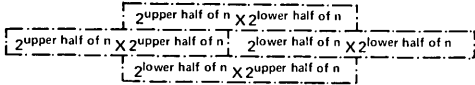


- NOTES: A. Ground unused inputs.  
 B. The number of bits in parentheses is the maximum number of bits this tree can combine if the remaining 'LS275'/S275 (all having a higher number in the parentheses) were not connected.

FIGURE 5—7-TO-31-BIT-SLICE WALLACE TREE FOR UP TO 64-BIT X 64-BIT MULTIPLIERS

# TYPES SN54LS275, SN54S274, SN54S275, SN74LS275, SN74S274, SN74S275 4-BIT-BY-4-BIT BINARY MULTIPLIER WITH 3-STATE OUTPUTS 7-BIT-SLICE WALLACE TREES WITH 3-STATE OUTPUTS

## TYPICAL APPLICATION DATA



NOTE A: The left-hand half of each rectangle is the portion of word one used to obtain the product shown within the rectangle. Similarly, the right-hand half of each rectangle is the portion of word two used.

FIGURE 6—UNIVERSAL METHOD OF ADDING  $\frac{n}{2}$ -BIT PRODUCTS TO OBTAIN AN n-BIT PRODUCT

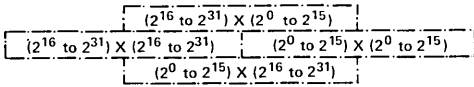


FIGURE 7—METHOD OF ADDING 32-BIT PRODUCTS TO OBTAIN A 64-BIT PRODUCT

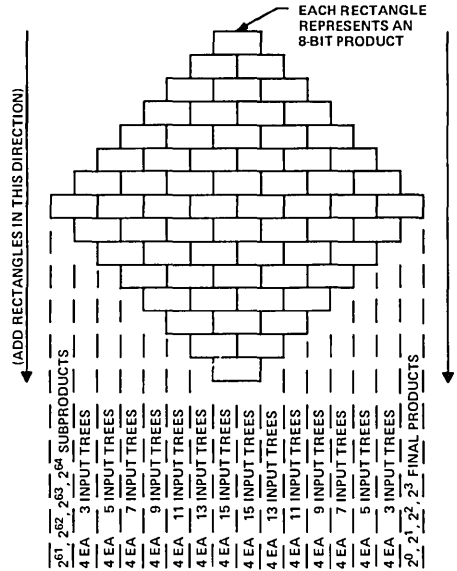
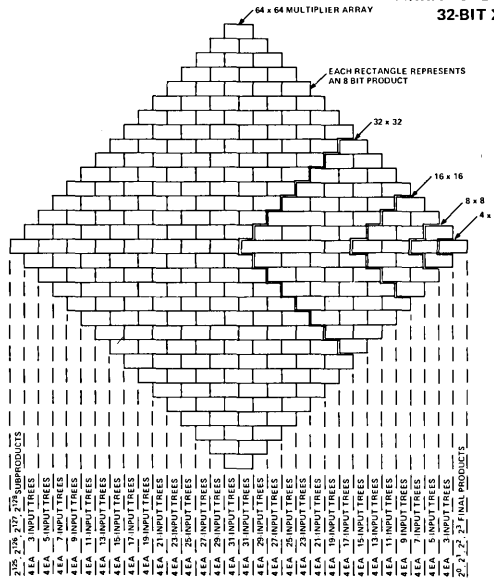


FIGURE 8—FINAL PRODUCTS AND ARRAY SUBPRODUCT ADDITIONS FOR 32-BIT X 32-BIT MULTIPLIER

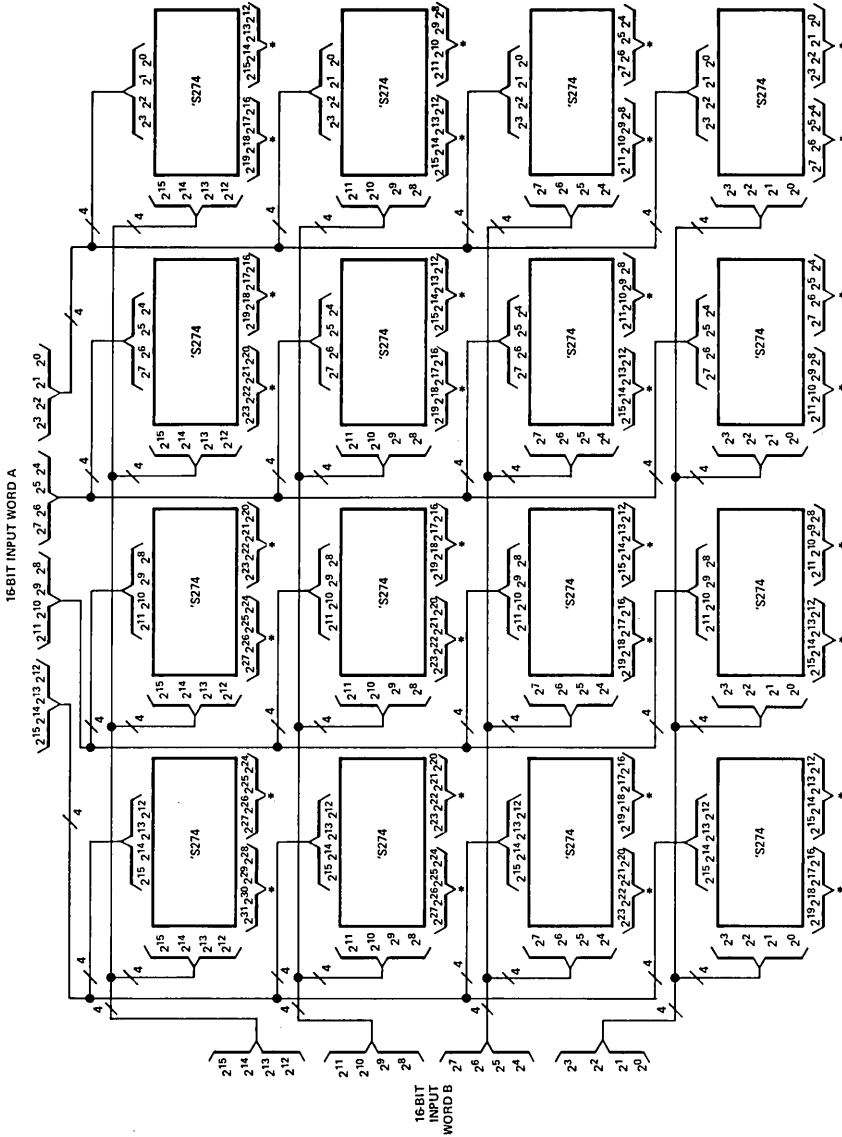


NOTE A: See Note B of Figure 6 for designing trees with any number of inputs up to 31.

FIGURE 9—ARRAY ARRANGEMENT FOR VARIOUS MULTIPLIERS INCLUDING ARRAY SUBPRODUCT ADDITIONS FOR 64-BIT X 64-BIT MULTIPLIER

**TYPES SN54LS275, SN54S274, SN54S275, SN74LS275, SN74S274, SN74S275**  
**4-BIT-BY-4-BIT BINARY MULTIPLIER WITH 3-STATE OUTPUTS**  
**7-BIT-SLICE WALLACE TREES WITH 3-STATE OUTPUTS**

TYPICAL APPLICATION DATA



\* This 4-bit binary number is a partial product. See Figure 11, Sheets 2 and 3 for diagram of summation process.

FIGURE 10—16-BIT X 16-BIT MULTIPLIER (SHEET 1 OF 3—OUTPUT CONNECTIONS)

7

**TYPES SN54LS275, SN54S274, SN54S274, SN74LS275, SN74S274, SN74S274**  
**4-BIT-BY-4-BIT BINARY MULTIPLIER WITH 3-STATE OUTPUTS**  
**7-BIT-SLICE WALLACE TREES WITH 3-STATE OUTPUTS**

TYPICAL APPLICATION DATA

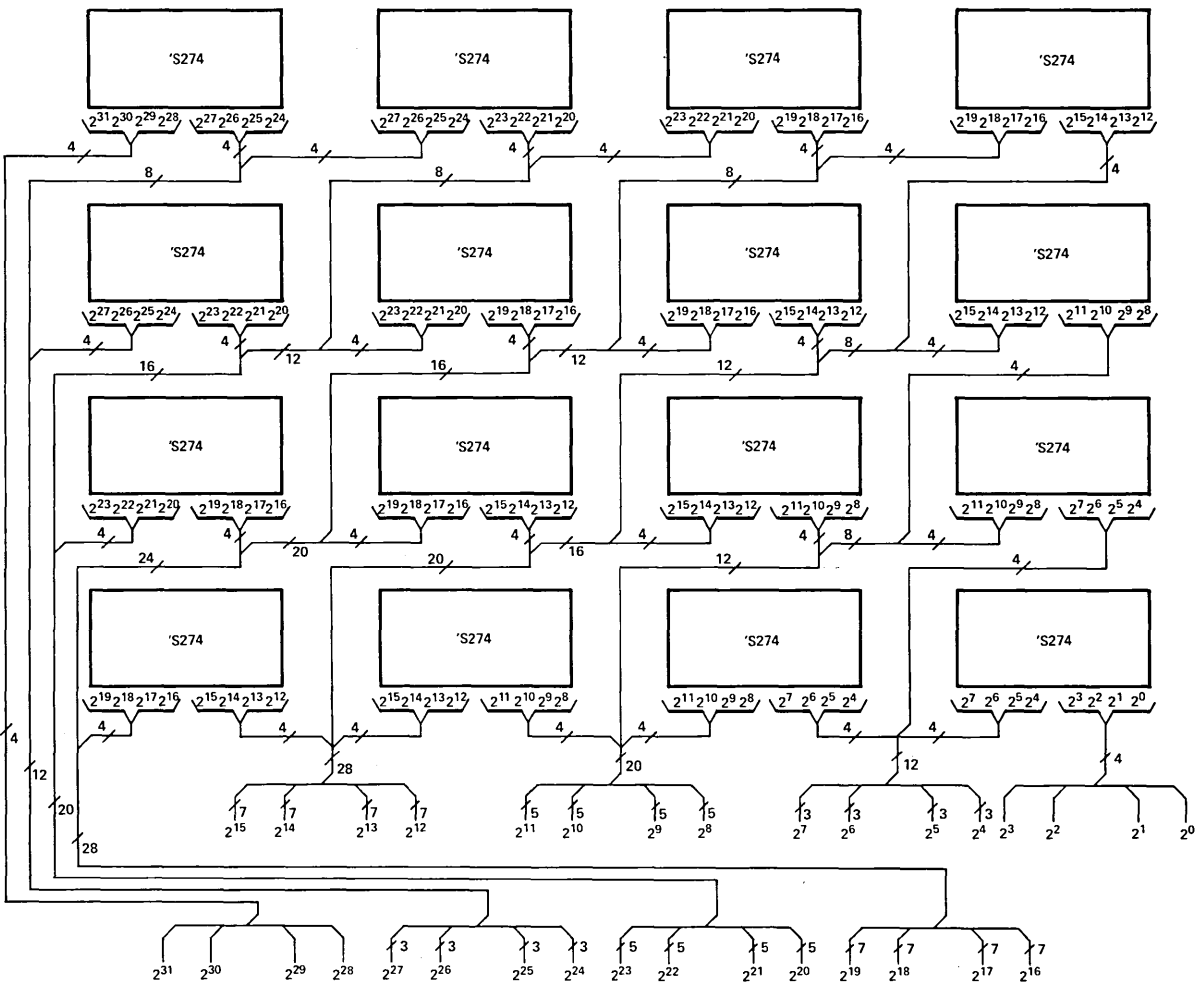


FIGURE 10—16-BIT X 16-BIT MULTIPLIER (SHEET 2 OF 3—OUTPUT CONNECTIONS)

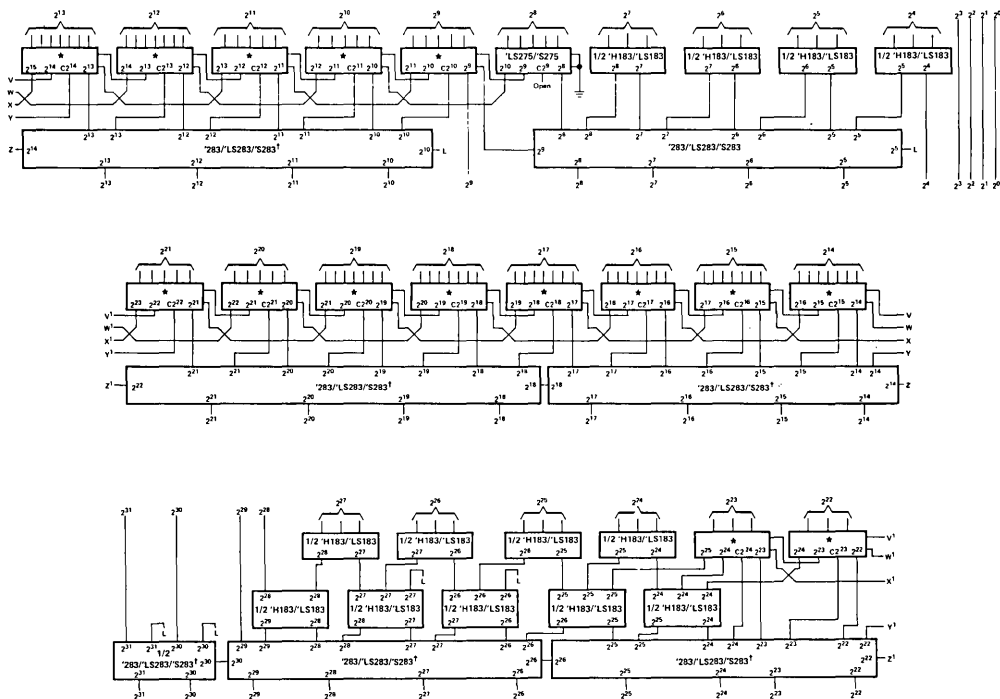


# TYPES SN54LS275, SN54S274, SN54S275, SN74LS275, SN74S274, SN74S275

## 4-BIT-BY-4-BIT BINARY MULTIPLIER WITH 3-STATE OUTPUTS

### 7-BIT-SLICE WALLACE TREES WITH 3-STATE OUTPUTS

#### TYPICAL APPLICATION DATA



\*Each starred block may be either a basic bit-slice Wallace tree ('LS275 or 'S275 only) or a high-speed bit-slice Wallace tree ('LS275 plus 1/2 'LS183 or 'S275 plus 1/2 'H183). In either case the function of the terminal is the same as the similarly located terminal of the basic bit-slice (Figure 1) or high-speed bit-slice Wallace tree (Figure 2). Also for either tree, when only five inputs of the seven-input adder of the 'LS275/'S275 are used, the remaining two inputs must be grounded. When the high-speed adder is used, the C2<sup>n</sup> inputs of the 'LS275/'S275 must be grounded.

†For improved performance SN74LS181/SN74S181 ALUs with SN74S182 look-ahead generators can be substituted for the SN74283/SN74LS283/SN74S283 adders. Typically, the multiplication time will be reduced by 18 to 32 nanoseconds.

FIGURE 10—16-BIT X 16-BIT MULTIPLIER  
(SHEET 3 OF 3—SUMMING PARTIAL PRODUCTS)

**features**

- Four J-K Flip-Flops in a Single Package . . . Can Reduce FF Package Count by 50%
- Separate Negative-Edge-Triggered Clocks with Hysteresis . . . Typically 200 mV
- Typical Clock Input Frequency . . . 50 MHz
- Fully Buffered Outputs

**description**

These quadruple TTL J-K flip-flops incorporate a number of third-generation IC features that can simplify system design and reduce flip-flop package count by up to 50%. They feature hysteresis at each clock input, fully buffered outputs, and direct clear capability, and are presettable through a buffer that also features an input hysteresis loop. The negative-edge-triggering clocks are directly compatible with earlier Series 54/74 single and dual pulse-triggered flip-flops. These circuits can be used to emulate D- or T-type flip-flops by hard-wiring the inputs, or to implement asynchronous sequential functions.

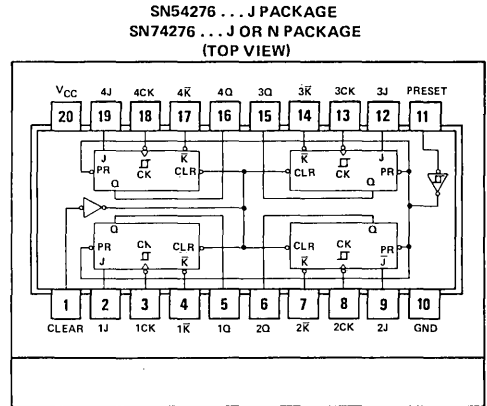
The SN54276 is characterized for operation over the full military temperature range of -55°C to 125°C; the SN74276 is characterized for operation from 0°C to 70°C.

**FUNCTION TABLE (EACH FLIP-FLOP)**

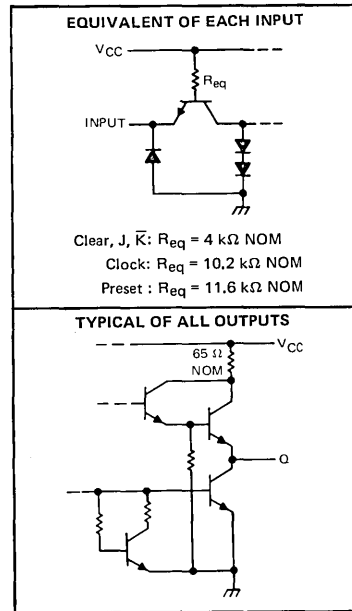
COMMON INPUTS		INPUTS			OUTPUT
PRESET	CLEAR	CLOCK	J	K	Q
L	H	X	X	X	H
H	L	X	X	X	L
L	L	X	X	X	H†
H	H	↓	L	H	Q <sub>0</sub>
H	H	↓	H	H	H
H	H	↓	L	L	L
H	H	↓	H	L	TOGGLE
H	H	H	X	X	Q <sub>0</sub>

†This configuration is nonstable; that is, it may not persist when preset and clear return to their inactive (high) level.

See explanation of function tables on page 3-8.



**schematics of inputs and outputs**



**absolute maximum ratings over operating free-air temperature range (unless otherwise noted)**

Supply voltage, $V_{CC}$ (see Note 1)	7 V
Input voltage	5.5 V
Operating free-air temperature range: SN54276	-55°C to 125°C
SN74276	0°C to 70°C
Storage temperature range	-65°C to 150°C

NOTE 1: Voltage values are with respect to network ground terminal.

# TYPES SN54276, SN74276

## QUADRUPLE J-K FLIP-FLOPS

### recommended operating conditions

		SN54276			SN74276			UNIT
		MIN	NOM	MAX	MIN	NOM	MAX	
Supply voltage, $V_{CC}$		4.5	5	5.5	4.75	5	5.25	V
High-level output current, $I_{OH}$		-800			-800			$\mu$ A
Low-level output current, $I_{OL}$		16			16			mA
Clock frequency		0			35			MHz
Pulse width, $t_w$	Clock high	13.5			13.5			ns
	Clock low	15			15			
	Preset or clear low	12			12			
Setup time, $t_{su}$	J, $\bar{K}$ inputs	3↓			3↓			ns
	Clear and preset inactive state	10↓			10↓			
Input hold time, $t_h$		10↓			10↓			ns
Operating free-air temperature, $T_A$		-55			125			70 °C

↓ The arrow indicates that the falling edge of the clock pulse is used for reference.

### electrical characteristics over recommended operating free-air temperature range (unless otherwise noted)

PARAMETER		TEST CONDITIONS†		MIN	TYP‡	MAX	UNIT
$V_{IH}$	High-level input voltage			2			V
$V_{IL}$	Low-level input voltage					0.8	V
$V_{IK}$	Input clamp voltage	$V_{CC} = \text{MIN}$ ,	$I_I = -12 \text{ mA}$			-1.5	V
$V_{OH}$	High-level output voltage	$V_{CC} = \text{MIN}$ ,	$V_{IH} = 2 \text{ V}$ , $V_{IL} = 0.8 \text{ V}$ ,	2.4	3.4		V
$V_{OL}$	Low-level output voltage	$V_{CC} = \text{MIN}$ ,	$V_{IH} = 2 \text{ V}$ , $V_{IL} = 0.8 \text{ V}$ ,		0.2	0.4	V
$I_I$	Input current at maximum input voltage	$V_{CC} = \text{MAX}$ ,	$V_I = 5.5 \text{ V}$			1	mA
$I_{IH}$	High-level input current	$V_{CC} = \text{MAX}$ ,	$V_I = 2.4 \text{ V}$			40	$\mu$ A
$I_{IL}$	Low-level input current	$V_{CC} = \text{MAX}$ ,	$V_I = 0.4 \text{ V}$			-1.6	mA
$I_{OS}$	Short-circuit output current §	$V_{CC} = \text{MAX}$		-30		-85	mA
$I_{CC}$	Supply current	$V_{CC} = \text{MAX}$			60	81	mA

† For conditions shown as MIN or MAX, use the appropriate value specified under recommended operating conditions.

‡ All typical values are at  $V_{CC} = 5 \text{ V}$ ,  $T_A = 25^\circ \text{C}$ .

§ Not more than one output should be shorted at a time.

### switching characteristics, $V_{CC} = 5 \text{ V}$ , $T_A = 25^\circ \text{C}$

PARAMETER		TEST CONDITIONS	MIN	TYP	MAX	UNIT
$f_{max}$	Maximum clock frequency	$C_L = 15 \text{ pF}$ , $R_L = 400 \Omega$ , See Note 2	35	50		MHz
$t_{PLH}$	Propagation delay time, low-to-high-level output from preset		15	25		ns
$t_{PHL}$	Propagation delay time, high-to-low-level output from clear		18	30		ns
$t_{PLH}$	Propagation delay time, low-to-high-level output from clock		17	30		ns
$t_{PHL}$	Propagation delay time, high-to-low-level output from clock		20	30		ns

NOTE 2: Load circuit and voltage waveforms are shown on page 3-10.

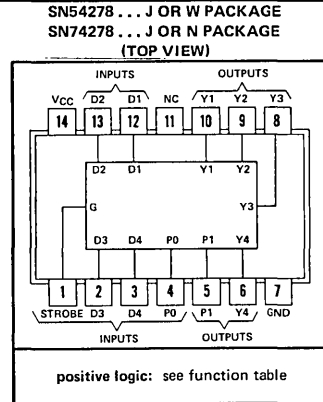
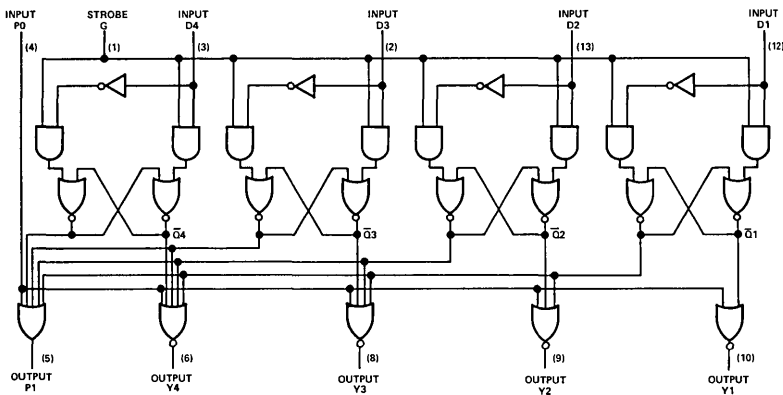
- Latched Data Inputs Serve as Buffer Register and Can also:  
Synchronize Data Acquisition  
“Debounce” Mechanical Switch Input
- Cascading Input P0 and Output P1 Provides “Busy” Signal Inhibiting All Lower-Order Bits
- Full TTL Compatibility
- Use for:  
Priority Interrupt  
Synchronous Priority Line Selection

**description**

The SN54278 and SN74278 each consist of four data latches, full priority output gating, and a cascading gate. The highest-order data applied at a D latch input is transferred to the appropriate Y output while the strobe input is high, and when the strobe goes low all data is latched. The cascading input P0 is fully overriding and on the highest-order package this input must be held at a low logic level. The P1 output is intended for connection to the P0 input of the next lower-order package and will provide a “busy” (high-level) signal to inhibit all subsequent lower-order packages.

After the overriding P0 input, the order of priority is D1, D2, D3, and D4, respectively, within the package.

**functional block diagram**



NC—No internal connection

**FUNCTION TABLE**

INPUTS		INTERNAL LATCH NODES				OUTPUTS								
P0	G	D1	D2	D3	D4	Q̄1	Q̄2	Q̄3	Q̄4	Y1	Y2	Y3	Y4	P1
L	H	H	X	X	X	L	X	X	X	H	L	L	L	H
L	H	L	H	X	X	H	L	X	X	L	H	L	L	H
L	H	L	L	H	X	H	H	L	X	L	L	H	L	H
L	H	L	L	L	H	H	H	H	L	L	L	L	H	H
L	H	L	L	L	L	H	H	H	H	L	L	L	L	L
L	L	X	X	X	X	Latched when G goes low				Same function of Q̄ nodes as on 1st 5 lines				
H	L	X	X	X	X					L	L	L	L	H
H	H	Internal Q̄ levels are same function of D inputs as on first 5 lines								L	L	L	L	H

H = high level, L = low level, X = irrelevant

# TYPES SN54278, SN74278

## 4-BIT CASCADABLE PRIORITY REGISTERS

### absolute maximum ratings over operating free-air temperature range (unless otherwise noted)

Supply voltage, $V_{CC}$ (see Note 1)	7 V
Input voltage	5.5 V
Interemitter voltage (see Note 2)	5.5 V
Operating free-air temperature range: SN54278 Circuits	-55°C to 125°C
SN74278 Circuits	0°C to 70°C
Storage temperature range	-65°C to 150°C

NOTES: 1. Voltage values, except interemitter voltage, are with respect to network ground terminal.  
 2. This is the voltage between two emitters of a multiple-emitter transistor. For this circuit, this rating applies between the strobe input and any of the four data inputs.

### recommended operating conditions

	SN54278			SN74278			UNIT
	MIN	NOM	MAX	MIN	NOM	MAX	
Supply voltage, $V_{CC}$	4.5	5	5.5	4.75	5	5.25	V
High-level output current, $I_{OH}$			-800			-800	$\mu$ A
Low-level output current, $I_{OL}$			16			16	mA
Data setup time, $t_{SU}$ (see Figure 1)	20			20			ns
Data hold time, $t_H$ (see Figure 1)	5			5			ns
Strobe pulse width, $t_W$ (see Figure 1)	20			20			ns
Operating free-air temperature, $T_A$	-55		125	0		70	°C

### electrical characteristics over recommended operating free-air temperature range (unless otherwise noted)

PARAMETER		TEST CONDITIONS†	MIN	TYP	MAX	UNIT
$V_{IH}$	High-level input voltage		2			V
$V_{IL}$	Low-level input voltage				0.8	V
$V_{IK}$	Input clamp voltage	$V_{CC} = \text{MAX}$ , $I_I = -12 \text{ mA}$			-1.5	V
$V_{OH}$	High-level output voltage	$V_{CC} = \text{MIN}$ , $V_{IH} = 2 \text{ V}$ , $V_{IL} = 0.8 \text{ V}$ , $I_{OH} = -800 \mu\text{A}$	2.4	3.4		V
$V_{OL}$	Low-level output voltage	$V_{CC} = \text{MIN}$ , $V_{IH} = 2 \text{ V}$ , $V_{IL} = 0.8 \text{ V}$ , $I_{OL} = 16 \text{ mA}$		0.2	0.4	V
$I_I$	Input current at maximum input voltage	$V_{CC} = \text{MAX}$ , $V_I = 5.5 \text{ V}$			1	mA
$I_{IH}$	High-level input current	Any D input			80	$\mu$ A
		P0 input	$V_{CC} = \text{MAX}$ , $V_I = 2.4 \text{ V}$		200	
		G input			320	
$I_{IL}$	Low-level input current	Any D input			-3.2	mA
		P0 input	$V_{CC} = \text{MAX}$ , $V_I = 0.4 \text{ V}$		-8	
		G input			-12.8	
$I_{OS}$	Short-circuit output current‡	$V_{CC} = \text{MAX}$	SN54278	-18	-55	mA
			SN74278	-18	-57	
$I_{CC}$	Supply current	$V_{CC} = \text{MAX}$ , See Note 3		55	80	mA

† For conditions shown as MIN or MAX, use the appropriate value specified under recommended operating conditions for the applicable type.

‡ All typical values are at  $V_{CC} = 5 \text{ V}$ ,  $T_A = 25^\circ\text{C}$ .

§ Not more than one output should be shorted at a time.

NOTE 3:  $I_{CC}$  is measured with the P0 input grounded, all other inputs at 4.5 V, and outputs open.

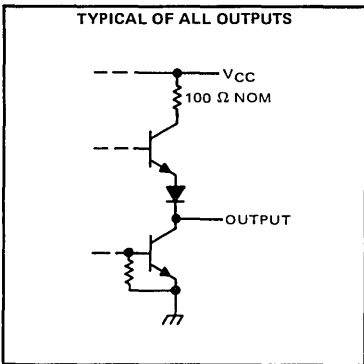
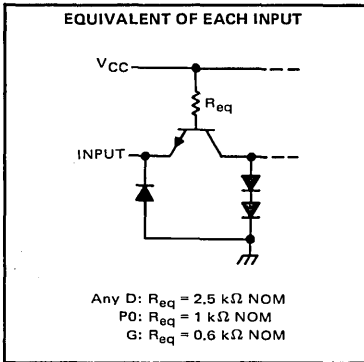
# TYPES SN54278, SN74278 4-BIT CASCADABLE PRIORITY REGISTERS

switching characteristics,  $V_{CC} = 5\text{ V}$ ,  $T_A = 25^\circ\text{C}$

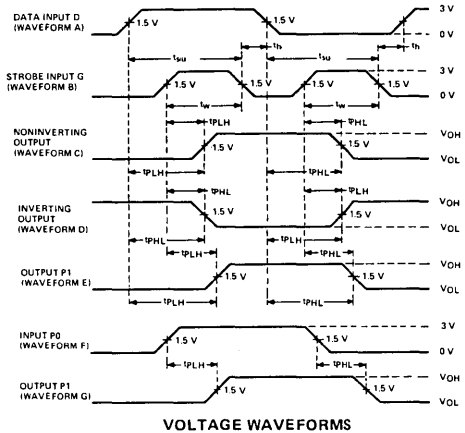
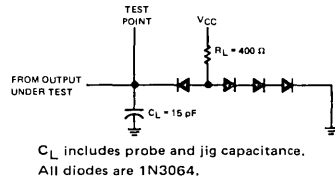
PARAMETER <sup>†</sup>	FROM (INPUT)	TO (OUTPUT)	WAVEFORMS	TEST CONDITIONS	MIN	TYP	MAX	UNIT
$t_{PLH}$	Data	Y	A and C (with strobe high)	$C_L = 15\text{ pF}$ , $R_L = 400\ \Omega$ , See Figure 1	30	39	ns	
$t_{PHL}$								
$t_{PLH}$	Data	Y	A and D (with strobe high)		38	31	ns	
$t_{PHL}$								
$t_{PLH}$	Data	P1	A and E (with strobe high)		46	39	ns	
$t_{PHL}$								
$t_{PLH}$	Strobe	Any Y	B and C or B and D		30	31	ns	
$t_{PHL}$								
$t_{PLH}$	Strobe	P1	B and E		38	42	ns	
$t_{PHL}$								
$t_{PLH}$	P0	P1	F and G	23	30	ns		
$t_{PHL}$								

<sup>†</sup> $t_{PLH}$  ≡ propagation delay time, low-to-high-level output  
 $t_{PHL}$  ≡ propagation delay time, high-to-low-level output

### schematics of inputs and outputs



### PARAMETER MEASUREMENT INFORMATION



NOTE: Input pulses are supplied by a generator having the following characteristics:  $t_r \leq 7\text{ ns}$ ,  $t_f \leq 7\text{ ns}$ ,  $PRR \leq 1\text{ MHz}$ ,  $Z_{out} \approx 50\ \Omega$ .

FIGURE 1—SWITCHING TIMES

**TTL  
MSI**

# TYPES SN54LS280, SN54S280, SN74LS280, SN74S280 9-BIT ODD/EVEN PARITY GENERATORS/CHECKERS

BULLETIN NO. DL-S 7611829, DECEMBER 1972—REVISED OCTOBER 1976

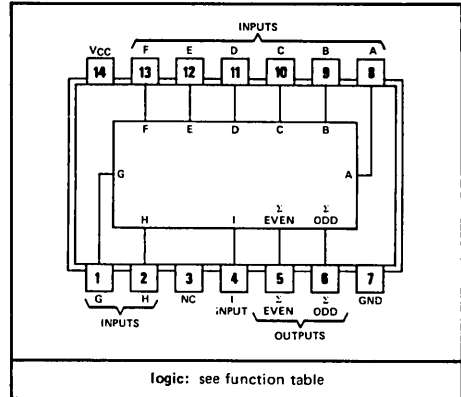
- Generates Either Odd or Even Parity for Nine Data Lines
- Cascadable for n-Bits
- Can Be Used to Upgrade Existing Systems using MSI Parity Circuits
- Typical Data-to-Output Delay of Only 14 ns for 'S280 and 33 ns for 'LS280
- Typical Power Dissipation:  
'LS280 . . . 80 mW  
'S280 . . . 335 mW

FUNCTION TABLE

NUMBER OF INPUTS A THRU I THAT ARE HIGH	OUTPUTS	
	$\Sigma$ EVEN	$\Sigma$ ODD
0, 2, 4, 6, 8	H	L
1, 3, 5, 7, 9	L	H

H = high level, L = low level

SN54LS280, SN54S280 . . . J OR W PACKAGE  
SN74LS280, SN74S280 . . . J OR N PACKAGE  
(TOP VIEW)



logic: see function table

NC—No internal connection

## description

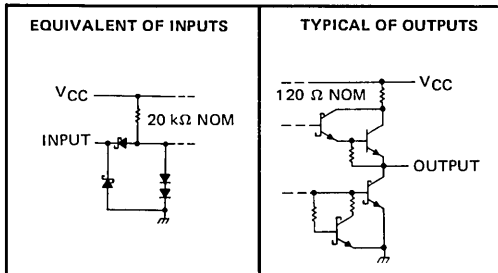
These universal, monolithic, nine-bit parity generators/checkers utilize Schottky-clamped TTL high-performance circuitry and feature odd/even outputs to facilitate operation of either odd or even parity application. The word-length capability is easily expanded by cascading as shown under typical application data.

Series 54LS/74LS and Series 54S/74S parity generators/checkers offer the designer a trade-off between reduced power consumption and high performance. These devices can be used to upgrade the performance of most systems utilizing the '180 parity generator/checker. Although the 'LS280 and 'S280 are implemented without expander inputs, the corresponding function is provided by the availability of an input at pin 4 and the absence of any internal connection at pin 3. This permits the 'LS280 and 'S280 to be substituted for the '180 in existing designs to produce an identical function even if 'LS280's and 'S280's are mixed with existing '180's.

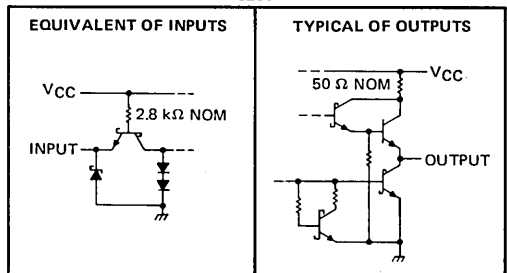
These devices are fully compatible with most other TTL and DTL circuits. All 'LS280 and 'S280 inputs are buffered to lower the drive requirements to one Series 54LS/74LS or Series 54S/74S standard load, respectively.

## schematics of inputs and outputs

'LS280



'S280



# TYPES SN54LS280, SN74LS280

## 9-BIT ODD/EVEN PARITY GENERATORS/CHECKERS

REVISED DECEMBER 1980

absolute maximum ratings over operating free-air temperature range (unless otherwise noted)

Supply voltage (see Note 1)	7 V
Input voltage	7 V
Operating free-air temperature range: SN54LS280	-55°C to 125°C
SN74LS280	0°C to 70°C
Storage temperature range	-65°C to 150°C

NOTE 1: Voltage values are with respect to network ground terminal.

recommended operating conditions

	SN54LS280			SN74LS280			UNIT
	MIN	NOM	MAX	MIN	NOM	MAX	
Supply voltage, $V_{CC}$	4.5	5	5.5	4.75	5	5.25	V
High-level output current, $I_{OH}$			-0.4			.4	mA
Low-level output current, $I_{OL}$			4			8	mA
Operating free-air temperature, $T_A$	-55		125	0		70	°C

electrical characteristics over recommended operating free-air temperature range (unless otherwise noted)

PARAMETER	TEST CONDITIONS <sup>†</sup>	SN54LS280			SN74LS280			UNIT
		MIN	TYP <sup>‡</sup>	MAX	MIN	TYP <sup>‡</sup>	MAX	
$V_{IH}$ High-level input voltage		2			2			V
$V_{IL}$ Low-level input voltage				0.7			0.8	V
$V_{IK}$ Input clamp voltage	$V_{CC} = \text{MIN}, I_I = -18 \text{ mA}$			-1.5			-1.5	V
$V_{OH}$ High-level output voltage	$V_{CC} = \text{MIN}, V_{IH} = 2 \text{ V}, V_{IL} = \text{MAX}, I_{OH} = -0.4 \text{ mA}$	2.5	3.4		2.7	3.4		V
$V_{OL}$ Low-level output voltage	$V_{CC} = \text{MIN}, V_{IH} = 2 \text{ V}, V_{IL} = \text{MAX}$		0.25	0.4	0.25	0.4		V
$I_I$ Input current at maximum input voltage	$V_{CC} = \text{MAX}, V_I = 7 \text{ V}$			0.1			0.1	mA
$I_{IH}$ High-level input current	$V_{CC} = \text{MAX}, V_I = 2.7 \text{ V}$			20			20	μA
$I_{IL}$ Low-level input current	$V_{CC} = \text{MAX}, V_I = 0.4 \text{ V}$			-0.4			-0.4	mA
$I_{OS}$ Short-circuit output current <sup>§</sup>	$V_{CC} = \text{MAX}$	-20		-100	-20		-100	mA
$I_{CC}$ Supply current	$V_{CC} = \text{MAX}, \text{ See Note 2}$		16	27		16	27	mA

<sup>†</sup> For conditions shown as MIN or MAX, use the appropriate value specified under recommended operating conditions.

<sup>‡</sup> All typical values are at  $V_{CC} = 5 \text{ V}, T_A = 25^\circ\text{C}$ .

<sup>§</sup> Not more than one output should be shorted at a time and duration of the short circuit should not exceed one second.

NOTE 2:  $I_{CC}$  is measured with all inputs grounded and all outputs open.

switching characteristics,  $V_{CC} = 5 \text{ V}, T_A = 25^\circ\text{C}$

PARAMETER <sup>¶</sup>	FROM (INPUT)	TO (OUTPUT)	TEST CONDITIONS	MIN	TYP	MAX	UNIT
$t_{PLH}$	Data	$\Sigma$ Even	$C_L = 15 \text{ pF}, R_L = 2 \text{ k}\Omega,$ Inputs not under test at 0 V, See Note 3		33	50	ns
$t_{PHL}$					29	45	
$t_{PLH}$	Data	$\Sigma$ Odd			23	35	ns
$t_{PHL}$					31	50	

<sup>¶</sup>  $t_{PLH}$   $\equiv$  propagation delay time, low-to-high-level output;  $t_{PHL}$   $\equiv$  propagation delay time, high-to-low-level output

NOTE 3: Load circuit and voltage waveforms are shown on page 3-11.



# TYPES SN54S280, SN74S280

## 9-BIT ODD/EVEN PARITY GENERATORS/CHECKERS

REVISED DECEMBER 1980

absolute maximum ratings over operating free-air temperature range (unless otherwise noted)

Supply voltage (see Note 1)	7 V
Input voltage	5.5 V
Operating free-air temperature range: SN54S280	-55°C to 125°C
SN74S280	0°C to 70°C
Storage temperature range	-65°C to 150°C

NOTE 1: Voltage values are with respect to network ground terminal.

recommended operating conditions

	SN54S280			SN74S280			UNIT
	MIN	NOM	MAX	MIN	NOM	MAX	
Supply voltage, $V_{CC}$	4.5	5	5.5	4.75	5	5.25	V
High-level output current, $I_{OH}$			-1			-1	mA
Low-level output current, $I_{OL}$			20			20	mA
Operating free-air temperature, $T_A$	-55		125	0		70	°C

electrical characteristics over recommended operating free-air temperature range (unless otherwise noted)

PARAMETER	TEST CONDITIONS†	MIN TYP‡ MAX			UNIT
$V_{IH}$ High-level input voltage		2			V
$V_{IL}$ Low-level input voltage		0.8			V
$V_{IK}$ Input clamp voltage	$V_{CC} = \text{MIN}, I_I = -18 \text{ mA}$	-1.2			V
$V_{OH}$ High-level output voltage	$V_{CC} = \text{MIN}, V_{IH} = 2 \text{ V},$ $V_{IL} = 0.8 \text{ V}, I_{OH} = -1 \text{ mA}$	SN54S*	2.5	3.4	V
		SN74S*	2.7	3.4	
$V_{OL}$ Low-level output voltage	$V_{CC} = \text{MIN}, V_{IH} = 2 \text{ V},$ $V_{IL} = 0.8 \text{ V}, I_{OL} = 20 \text{ mA}$	0.5			V
$I_I$ Input current at maximum input voltage	$V_{CC} = \text{MAX}, V_I = 5.5 \text{ V}$	1			mA
$I_{IH}$ High-level input current	$V_{CC} = \text{MAX}, V_I = 2.7 \text{ V}$	50			μA
$I_{IL}$ Low-level input current	$V_{CC} = \text{MAX}, V_I = 0.5 \text{ V}$	-2			mA
$I_{OS}$ Short-circuit output current‡	$V_{CC} = \text{MAX}$	-40 -100			mA
$I_{CC}$ Supply current	$V_{CC} = \text{MAX},$ See Note 2	SN54S280	67	99	mA
		SN74S280	67	105	
	$V_{CC} = \text{MAX}, T_A = 125^\circ\text{C},$ See Note 2	SN54S280N	94		mA

†For conditions shown as MIN or MAX, use the appropriate value specified under recommended operating conditions.

‡All typical values are at  $V_{CC} = 5 \text{ V}, T_A = 25^\circ\text{C}$ .

§Not more than one output should be shorted at a time and duration of the short circuit should not exceed one second.

NOTE 2:  $I_{CC}$  is measured with all inputs grounded and all outputs open.

switching characteristics,  $V_{CC} = 5 \text{ V}, T_A = 25^\circ\text{C}$

PARAMETER¶	FROM (INPUT)	TO (OUTPUT)	TEST CONDITIONS	MIN	TYP	MAX	UNIT
$t_{PLH}$	Data	$\Sigma$ Even	$C_L = 15 \text{ pF}, R_L = 280 \Omega,$ See Note 4	14	21	ns	
$t_{PHL}$				11.5	18		
$t_{PLH}$	Data	$\Sigma$ Odd		14	21	ns	
$t_{PHL}$				11.5	18		

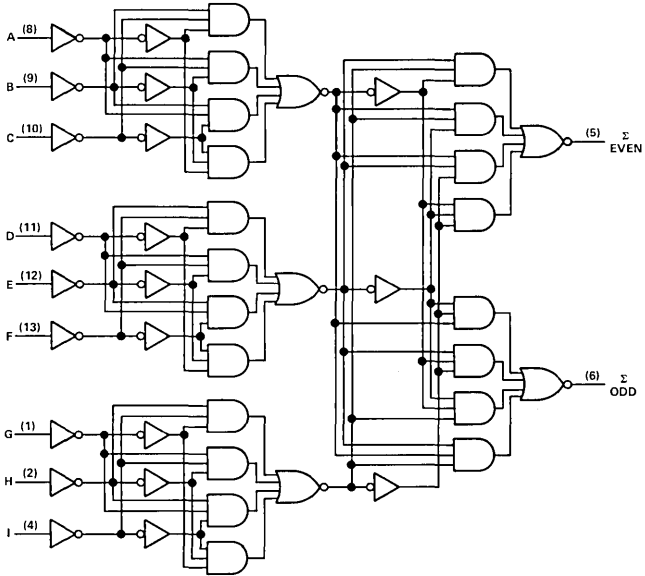
¶ $t_{PLH}$  = propagation delay time, low-to-high-level output;  $t_{PHL}$  = propagation delay time, high-to-low-level output

NOTE 4: Load circuit and voltage waveforms are shown on page 3-10.

# TYPES SN54LS280, SN54S280, SN74LS280, SN74S280

## 9-BIT ODD/EVEN PARITY GENERATORS/CHECKERS

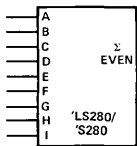
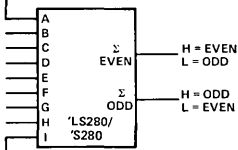
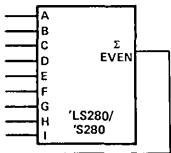
functional block diagram



### TYPICAL APPLICATION DATA

#### 25-LINE PARITY/GENERATOR CHECKER

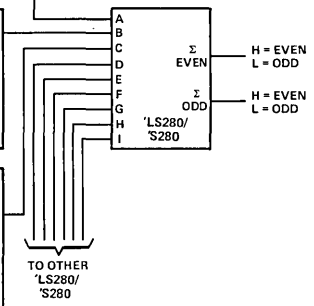
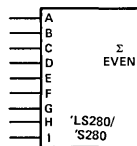
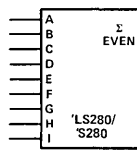
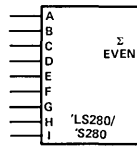
Three 'LS280's or 'S280's can be used to implement a 25-line parity generator/checker. This arrangement will provide parity in typically 75 or 25 nanoseconds respectively.



As an alternative, the outputs of two or three parity generators/checkers can be decoded with a 2-input ('S86 or 'LS86) or 3-input ('S135) exclusive-OR gate for 18- or 27-line parity applications.

#### 81-LINE PARITY/GENERATOR CHECKER

Longer word lengths can be implemented by cascading 'LS280's or 'S280's. As shown here, parity can be generated for word lengths up to 81 bits in typically 75 or 25 nanoseconds respectively.



TTL  
LSI

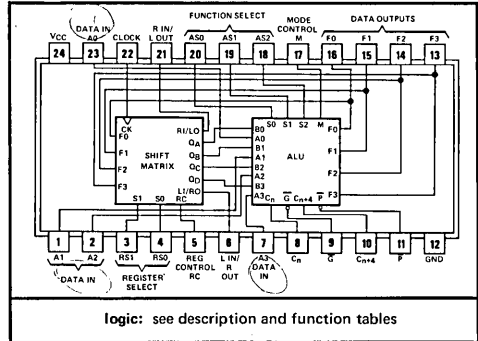
# TYPES SN54S281, SN74S281 4-BIT PARALLEL BINARY ACCUMULATORS

BULLETIN NO. DL-S 7612065, FEBRUARY 1974 — REVISED OCTOBER 1976

- Full 4-Bit Binary Accumulator in a Single Package
- 15 Arithmetic/Logic-Type Operations:
  - Add
  - Subtract (B—A or A—B)
  - Complement
  - Increment
  - Transfer
  - Plus 10 Other Functions
- Full Shifting Capabilities:
  - Logic Shift (Left or Right)
  - Arithmetic Shift (Left or Right) for Sign Bit Protection
  - Hold
  - Parallel Load
- Expandable to Handle n-Bit Words with Full Carry Look-Ahead
- Logic Mode Operation Provides Seven Boolean Functions of the Two Variables

4-bit

SN54S281 . . . J OR W PACKAGE  
SN74S281 . . . J OR N PACKAGE  
(TOP VIEW)



logic: see description and function tables

description

These Schottky-clamped four-bit accumulators integrate high-performance versions of an arithmetic logic unit/function generator and a shift/storage matrix on a single monolithic circuit bar. The arithmetic logic unit (ALU) portion, similar to the SN54S181/SN74S181 circuit, incorporates the capability to perform 16 arithmetic/logic-type operations as detailed in Table 1. The accumulator includes an exchange of subtract operands by which either A—B or B—A can be accomplished directly. The ALU is controlled by three function-select inputs (AS0, AS1, AS2) and a mode-control input (M). When the mode-control input is high, the ALU is placed in a logic mode that performs any of seven logic functions on two binary variables as detailed in Table 2. Full carry look-ahead is provided for fast, simultaneous carry generation for the full four binary bits. The carry input (C<sub>n</sub>) and propagate and generate outputs ( $\bar{P}$ ,  $\bar{G}$ ) are implemented for direct use with the SN54S182/SN74S182 look-ahead carry generators. This permits systems to be implemented with the added advantage of full look-ahead across any word length to minimize the accumulator delay times. Once data is loaded into the accumulator, the typical add time with full look-ahead is 29 nanoseconds for 16-bit words.

The shift/storage matrix is analogous in its capabilities to the SN54S194/SN74S194 universal bidirectional shift register with the added advantages of multiplexed input/output (I/O) cascading lines that comprehend arithmetic shift functions having a sign bit, such as 2's complements. The matrix can be used to perform either logic or arithmetic shifts in either direction (left or right), parallel load, or hold. Control of the register is accomplished with three inputs: register control (RC) and register selection (RS0, RS1). The cascading input/output lines incorporate three-state outputs multiplexed with an input. The least-significant cascading bit is combined with the A0, F0 circuitry to provide the shift-right input and the shift-left output (RI/LO), and the most significant bit is coupled with the A3, F3 circuitry to provide the shift-left input and the shift-right output (LI/RO).

Series 54S circuits are characterized for operation over the full military temperature range of -55°C to 125°C; Series 74S circuits are characterized for operation from 0°C to 70°C.

# TYPES SN54S281, SN74S281 4-BIT PARALLEL BINARY ACCUMULATORS

## FUNCTION TABLES

**TABLE 1—ARITHMETIC FUNCTIONS**  
Mode Control (M) = Low

ALU SELECTION			ACTIVE-HIGH DATA			
AS2	AS1	AS0	C <sub>n</sub> = H (with carry)		C <sub>n</sub> = L (no carry)	
L	L	L	F <sub>0</sub> = L, F <sub>1</sub> = F <sub>2</sub> = F <sub>3</sub> = H		F <sub>n</sub> = H	
L	L	H	F = B MINUS A		F = B MINUS A MINUS 1	
L	H	L	F = A MINUS B		F = A MINUS B MINUS 1	
L	H	H	F = A PLUS B PLUS 1		F = A PLUS B <i>a2</i>	
H	L	L	F = B PLUS 1		F <sub>n</sub> = B <sub>n</sub>	
H	L	H	F = B̄ PLUS 1		F <sub>n</sub> = B̄ <sub>n</sub>	
H	H	L	F = A PLUS 1 <i>a1</i>		F <sub>n</sub> = A <sub>n</sub>	
H	H	H	F = A PLUS 1		F <sub>n</sub> = A <sub>n</sub> <i>a4</i>	

**TABLE 2—LOGIC FUNCTIONS**  
Mode Control (M) = High  
Carry Input (C<sub>n</sub>) = X (Irrelevant)

ALU SELECTION			ACTIVE-HIGH DATA FUNCTION			
AS2	AS1	AS0				
L	L	L	<del>F<sub>n</sub> = L</del> <i>a3</i>			
L	X	H	F <sub>n</sub> = A <sub>n</sub> ⊕ B <sub>n</sub>			
L	H	L	F <sub>n</sub> = A <sub>n</sub> ⊕ B <sub>n</sub>			
H	L	L	F <sub>n</sub> = A <sub>n</sub> B <sub>n</sub> <i>a1</i>			
H	L	H	F <sub>n</sub> = A <sub>n</sub> + B <sub>n</sub>			
H	H	L	F <sub>n</sub> = A <sub>n</sub> B̄ <sub>n</sub>			
H	H	H	F <sub>n</sub> = A <sub>n</sub> + B <sub>n</sub>			

**TABLE 3—SHIFT-MODE FUNCTIONS**  
C<sub>n</sub> = M = AS0 = AS1 = L, and AS2 = H (F<sub>n</sub> = B<sub>n</sub>)

FUNCTION	INPUTS BEFORE ↑						CLOCK INPUT	OUTPUTS AFTER ↑								
	REGISTER SELECTION RS0 RS1		REGISTER CONTROL INPUT	INPUT/ OUTPUT RI/LO	SHIFT-MATRIX INPUTS F0 F1 F2 F3				INPUT/ OUTPUT LI/RO	INPUT/ OUTPUT RI/LO	SHIFT-MATRIX OUTPUTS (ALU B INPUTS) Q <sub>A</sub> Q <sub>B</sub> Q <sub>C</sub> Q <sub>D</sub>				INPUT/ OUTPUT LI/RO	
	L	L	X	Z	f0	f1		f2	f3	Z	↑	Z	f0	f1	f2	f3
LOAD	L	L	X	Z	f0	f1	f2	f3	Z	↑	Z	f0	f1	f2	f3	Z
LSL	L	H	L	Q <sub>A</sub>	Q <sub>A</sub>	Q <sub>B</sub>	Q <sub>C</sub>	Q <sub>D</sub>	li	↑	Q <sub>Bn</sub>	Q <sub>Bn</sub>	Q <sub>Cn</sub>	Q <sub>Dn</sub>	li	li
LSA	L	H	H	Q <sub>A</sub>	Q <sub>A</sub>	Q <sub>B</sub>	Q <sub>C</sub>	Q <sub>D</sub>	li	↑	Q <sub>Bn</sub>	Q <sub>Bn</sub>	Q <sub>Cn</sub>	li	Q <sub>D0</sub>	li
RSL	H	L	L	ri	Q <sub>A</sub>	Q <sub>B</sub>	Q <sub>C</sub>	Q <sub>D</sub>	Q <sub>D</sub>	↑	ri	ri	Q <sub>An</sub>	Q <sub>Bn</sub>	Q <sub>Cn</sub>	Q <sub>Cn</sub>
RSA	H	L	H	ri	Q <sub>A</sub>	Q <sub>B</sub>	Q <sub>C</sub>	Q <sub>D</sub>	Q <sub>C</sub>	↑	ri	ri	Q <sub>An</sub>	Q <sub>Bn</sub>	Q <sub>D0</sub>	Q <sub>Bn</sub>
HOLD	H	H	X	X	Q <sub>A</sub>	Q <sub>B</sub>	Q <sub>C</sub>	Q <sub>D</sub>	X	↑	Z	Q <sub>A0</sub>	Q <sub>B0</sub>	Q <sub>C0</sub>	Q <sub>D0</sub>	Z
	X	X	X	X	Q <sub>A</sub>	Q <sub>B</sub>	Q <sub>C</sub>	Q <sub>D</sub>	X	L	RI/LO	Q <sub>A0</sub>	Q <sub>B0</sub>	Q <sub>C0</sub>	Q <sub>D0</sub>	LI/RO

H = high level (steady state)  
 L = low level (steady state)  
 X = irrelevant (any input, including transitions)  
 Z = high impedance (output off)  
 ↑ = transition from low to high level  
 f0, f1, f2, f3, ri, li = the level of steady-state conditions at F0, F1, F2, F3, RI/LO, or LI/RO respectively  
 Q<sub>A0</sub>, Q<sub>B0</sub>, Q<sub>C0</sub>, Q<sub>D0</sub> = the level of Q<sub>A</sub>, Q<sub>B</sub>, Q<sub>C</sub>, or Q<sub>D</sub>, respectively, before the indicated steady-state input conditions were established  
 Q<sub>An</sub>, Q<sub>Bn</sub>, Q<sub>Cn</sub>, Q<sub>Dn</sub> = the level of Q<sub>A</sub>, Q<sub>B</sub>, Q<sub>C</sub>, or Q<sub>D</sub>, respectively, before the most recent transition of the clock  
 See explanation of function tables on page 3-8.

**absolute maximum ratings over operating free-air temperature range (unless otherwise noted)**

Supply voltage, V <sub>CC</sub> (see Note 1)	7 V
Input voltage	5.5 V
Operating free-air temperature range: SN54S281 (see Note 2)	-55°C to 125°C
SN74S281	0°C to 70°C
Storage temperature range	-65°C to 150°C

NOTES: 1. Voltage values are with respect to network ground terminal.  
 2. An SN54S281 in the W package operating at free-air temperatures above 110°C requires a heat sink that provides thermal resistance from case to free-air, R<sub>θCA</sub>, of not more than 20°C/W.

# TYPES SN54S281, SN74S281

## 4-BIT PARALLEL BINARY ACCUMULATORS

### recommended operating conditions

		SN54S281			SN74S281			UNIT
		MIN	NOM	MAX	MIN	NOM	MAX	
Supply voltage, $V_{CC}$		4.5	5	5.5	4.75	5	5.25	V
High-level output current, $I_{OH}$	Any output except LI/RO and RI/LO	-1			-1			mA
	LI/RO and RI/LO	-2			-2			
Low-level output current, $I_{OL}$	Any output except LI/RO and RI/LO	20			20			mA
	LI/RO and RI/LO	10			10			
Clock frequency, $f_{clock}$ (for shifting)		0			50			MHz
Width of clock pulse, $t_w(\text{clock})$		8			8			ns
Data setup time with respect to clock, $t_{su}$		0†			0†			ns
Data hold time with respect to clock, $t_h$		18†			18†			ns
Operating free-air temperature, $T_A$ (see Note 2)		-55			125			70 °C

†The arrow indicates that the rising edge of the clock pulse is used for reference.

NOTE 2: An SN54S281 in the W package operating at free-air temperatures above 110°C requires a heat sink that provides thermal resistance from case to free-air,  $R_{\theta CA}$ , of not more than 20°C/W.

### electrical characteristics over recommended operating free-air temperature range (unless otherwise noted)

PARAMETER		TEST CONDITIONS†		SN54S281			SN74S281			UNIT
				MIN	TYP‡	MAX	MIN	TYP‡	MAX	
$V_{IH}$	High-level input voltage			2			2			V
$V_{IL}$	Low-level input voltage			0.8			0.8			V
$V_{IK}$	Input clamp voltage	Any input except LI/RO and RI/LO	$V_{CC} = \text{MIN}, I_I = -18 \text{ mA}$	-1.2			-1.2			V
$V_{OH}$	High-level output voltage	Any output except LI/RO and RI/LO	$V_{CC} = \text{MIN}, V_{IH} = 2 \text{ V}, V_{IL} = 0.8 \text{ V}, I_{OH} = \text{MAX}$	2.5	3.4		2.7	3.4		V
		LI/RO, RI/LO		2.4	3.4		2.4	3.4		
$V_{OL}$	Low-level output voltage	$V_{CC} = \text{MIN}, V_{IH} = 2 \text{ V}, V_{IL} = 0.8 \text{ V}, I_{OL} = \text{MAX}$		0.5			0.5			V
$I_I$	Input current at maximum input voltage	$V_{CC} = \text{MAX}, V_I = 5.5 \text{ V}$		1			1			mA
$I_{IH}$	High-level input current	RS0, RS1	$V_{CC} = \text{MAX}, V_I = 2.7 \text{ V},$ See Note 3	50			50			$\mu\text{A}$
		M, Clock		150			150			
		LI/RO, RI/LO		200			200			
		AS2		300			300			
		All others		250			250			
$I_{IL}$	Low-level input current	RS0, RS1, LI/RO	$V_{CC} = \text{MAX}, V_I = 0.5 \text{ V}$ See Note 3	-2			-2			mA
		RI/LO		-3			-3			
		M, Clock		-4			-4			
		AS0, AS1		-6			-6			
		All others		-8			-8			
$I_{OS}$	Short-circuit output current§	$V_{CC} = \text{MAX}$		-40	-110	-40	-110	mA		
$I_{CC}$	Supply current	$V_{CC} = \text{MAX}, T_A = 125^\circ\text{C}$	W package only	190						mA
		$V_{CC} = \text{MAX}$	All packages	144	230	144	230			

†For conditions shown as MIN or MAX, use the appropriate value specified under recommended operating conditions.

‡All typical values are at  $V_{CC} = 5 \text{ V}, T_A = 25^\circ\text{C}$ .

§Not more than one output should be shorted at a time and duration of the short-circuit should not exceed one second.

NOTE 3: When testing input current at the RI/LO or LI/RO terminals, the output under test must be in the high-impedance (off) state.

# TYPES SN54S281, SN74S281

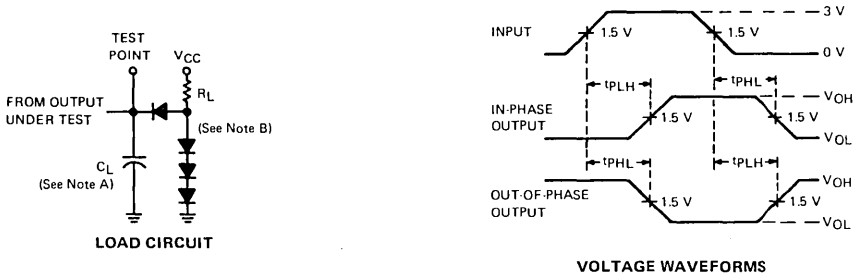
## 4-BIT PARALLEL BINARY ACCUMULATORS

switching characteristics,  $V_{CC} = 5\text{ V}$ ,  $T_A = 25^\circ\text{C}$

PARAMETER <sup>†</sup>	FROM (INPUT)	TO (OUTPUT)	TEST CONDITIONS	MIN	TYP	MAX	UNIT
$t_{PLH}$	$C_n$	$C_{n+4}$	$C_L = 15\text{ pF}$ , I/O outputs: $R_L = 560\ \Omega$ , Other outputs: $R_L = 280\ \Omega$ , See Figure 1		10	20	ns
$t_{PHL}$					10	20	
$t_{PLH}$	Any A	$C_{n+4}$			18	30	ns
$t_{PHL}$					18	30	
$t_{PLH}$	$C_n$	Any F			10	20	ns
$t_{PHL}$					10	20	
$t_{PLH}$	Any A	$\overline{G}$			14	24	ns
$t_{PHL}$					14	24	
$t_{PLH}$	Any A	$\overline{P}$			12	20	ns
$t_{PHL}$					12	20	
$t_{PLH}$	$A_i$	$F_i$			20	35	ns
$t_{PHL}$					20	35	
$t_{PLH}$	$A_0$	RI/LO			30	45	ns
$t_{PHL}$					30	45	
$t_{PLH}$	$A_3$	LI/RO			30	45	ns
$t_{PHL}$					30	45	
$t_{PLH}$	$F_0$	RI/LO			7	11	ns
$t_{PHL}$					7	11	
$t_{PLH}$	$F_3$	LI/RO			7	11	ns
$t_{PHL}$					7	11	
$t_{PLH}$	Any AS	Any F or $C_{n+4}$		28	45	ns	
$t_{PHL}$				28	45		
$t_{PLH}$	Any AS	$\overline{P}$ or $\overline{G}$		20	33	ns	
$t_{PHL}$				20	33		
$t_{PLH}$	Clock	Any F		30	45	ns	
$t_{PHL}$				30	45		
$t_{PLH}$	Clock	RI/LO or LI/RO		35	55	ns	
$t_{PHL}$				35	55		

<sup>†</sup> $t_{PLH}$   $\equiv$  Propagation delay time, low-to-high-level output  
 $t_{PHL}$   $\equiv$  Propagation delay time, high-to-low-level output

### PARAMETER MEASUREMENT INFORMATION



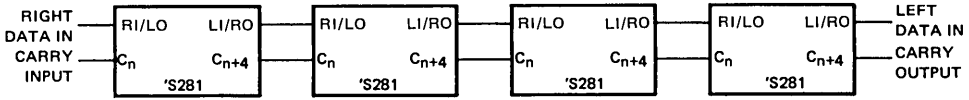
NOTES: A. Input pulse is supplied by a generator having the following characteristics:  $t_r \leq 2.5\text{ ns}$ ,  $t_f \leq 2.5\text{ ns}$ ,  $PRR \leq 1\text{ MHz}$ ,  $Z_{out} \approx 50\ \Omega$ .  
 B.  $C_L$  includes probe and jig capacitance.  
 C. All diodes are 1N916 or 1N3064.

FIGURE 1

# TYPES SN54S281, SN74S281

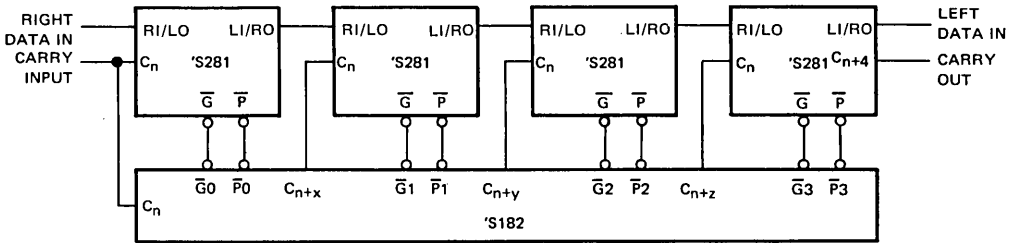
## 4-BIT PARALLEL BINARY ACCUMULATORS

### TYPICAL APPLICATION DATA



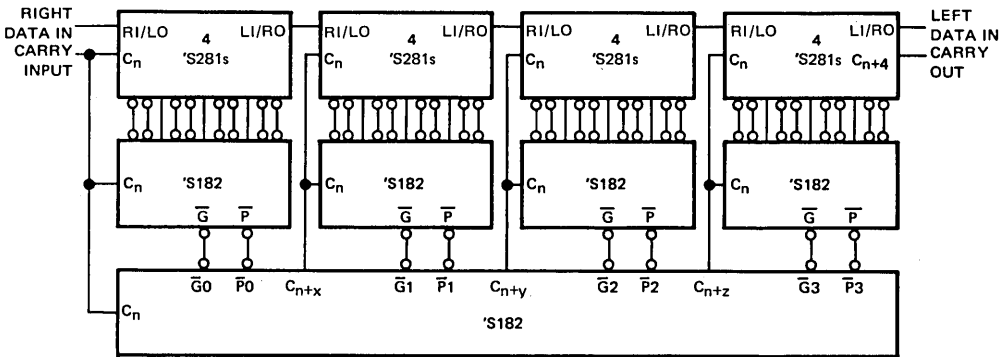
ENTER AND STORE TIME: 38 ns typical  
 EACH SUCCESSIVE ADDITION TO STORED DATA: 44 ns typical

FIGURE A—16-BIT BINARY ACCUMULATOR USING FOUR SN54S281/SN74S281 CIRCUITS IN RIPPLE-CARRY MODE



ENTER AND STORE TIME: 37 ns typical  
 EACH SUCCESSIVE ADDITION TO STORED DATA: 29 ns typical

FIGURE B—16-BIT BINARY ACCUMULATOR USING FOUR SN54S281/SN74S281 CIRCUITS AND ONE SN54S182/SN74S182 IN FULL LOOK-AHEAD CARRY MODE



ENTER AND STORE TIME: 42 ns typical  
 EACH SUCCESSIVE ADDITION TO STORED DATA: 34 ns typical

FIGURE C—64-BIT BINARY ACCUMULATOR USING 16 SN54S281/SN74S281 CIRCUITS AND FIVE SN54S182/SN74S182 CIRCUITS FOR FULL CARRY LOOK-AHEAD

A inputs and F outputs of 'S281 are not shown.

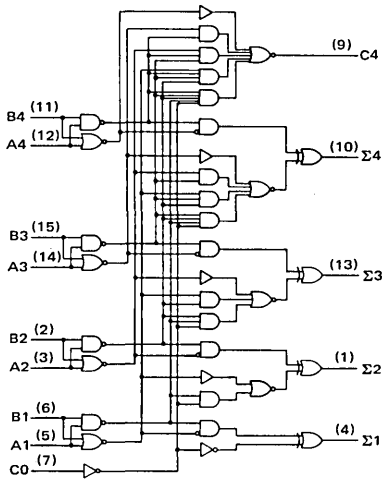




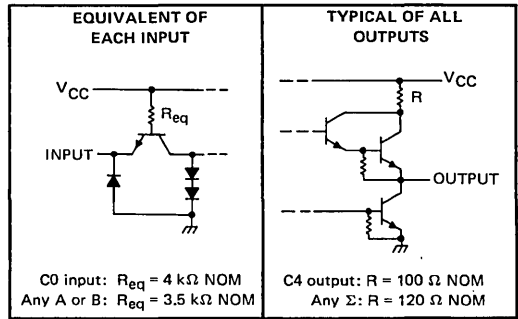
# TYPES SN54283, SN54LS283, SN54S283, SN74283, SN74LS283, SN74S283

## 4-BIT BINARY FULL ADDERS WITH FAST CARRY

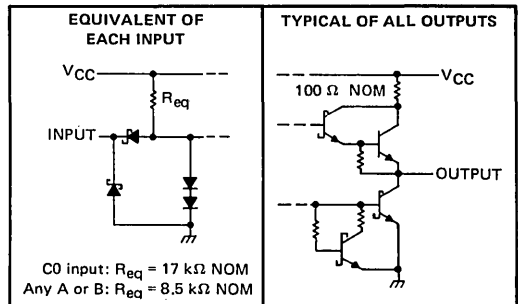
functional block diagram and schematics of inputs and outputs



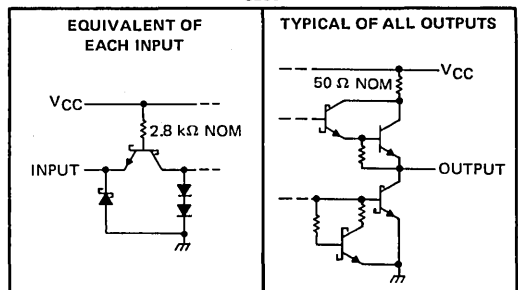
'283



'LS283



'S283



absolute maximum ratings over operating free-air temperature range (unless otherwise noted)

Supply voltage, $V_{CC}$ (see Note 1)	7V
Input voltage: '283, 'S283	5.5V
'LS283	7V
Interemitter voltage (see Note 2)	5.5V
Operating free-air temperature range: SN54283, SN54LS283, SN54S283	-55°C to 125°C
SN74283, SN74LS283, SN74S283	0°C to 70°C
Storage temperature range	-65°C to 150°C

NOTES: 1. Voltage values, except interemitter voltage, are with respect to network ground terminal.

2. This is the voltage between two emitters of a multiple-emitter transistor. This rating applies for the '283 and 'S283 only between the following pairs: A1 and B1, A2 and B2, A3 and B3, A4 and B4.

# TYPES SN54283, SN74283

## 4-BIT BINARY FULL ADDERS WITH FAST CARRY

### recommended operating conditions

	SN54283			SN74283			UNIT
	MIN	NOM	MAX	MIN	NOM	MAX	
Supply Voltage, $V_{CC}$	4.5	5	5.5	4.75	5	5.25	V
High-level output current, $I_{OH}$	Any output except C4			-800			$\mu$ A
	Output C4			-400			
Low-level output current, $I_{OL}$	Any output except C4			16			mA
	Output C4			8			
Operating free-air temperature, $T_A$	-55	125		0	70		$^{\circ}$ C

### electrical characteristics over recommended operating free-air temperature range (unless otherwise noted)

PARAMETER		TEST CONDITIONS†	SN54283			SN74283			UNIT
			MIN	TYP‡	MAX	MIN	TYP‡	MAX	
$V_{IH}$	High-level input voltage		2			2			V
$V_{IL}$	Low-level input voltage		0.8			0.8			V
$V_{IK}$	Input clamp voltage	$V_{CC} = \text{MIN}, I_I = -12 \text{ mA}$	-1.5			-1.5			V
$V_{OH}$	High-level output voltage	$V_{CC} = \text{MIN}, V_{IH} = 2 \text{ V}, V_{IL} = 0.8 \text{ V}, I_{OH} = \text{MAX}$	2.4	3.6		2.4	3.6		V
$V_{OL}$	Low-level output voltage	$V_{CC} = \text{MIN}, V_{IH} = 2 \text{ V}, V_{IL} = 0.8 \text{ V}, I_{OL} = \text{MAX}$	0.2	0.4		0.2	0.4		V
$I_I$	Input current at maximum input voltage	$V_{CC} = \text{MAX}, V_I = 5.5 \text{ V}$	1			1			mA
$I_{IH}$	High-level input current	$V_{CC} = \text{MAX}, V_I = 2.4 \text{ V}$	40			40			$\mu$ A
$I_{IL}$	Low-level input current	$V_{CC} = \text{MAX}, V_I = 0.4 \text{ V}$	-1.6			-1.6			mA
$I_{OS}$	Short-circuit output current§	Any output except C4	-20			-18			mA
		Output C4	-55			-55			
$I_{CC}$	Supply current	$V_{CC} = \text{MAX},$ Outputs open	All B low, other inputs at 4.5 V	56		56		mA	
			All inputs at 4.5 V	66	99	66	110		

†For conditions shown as MIN or MAX, use the appropriate value specified under recommended operating conditions.

‡All typical values are at  $V_{CC} = 5 \text{ V}, T_A = 25^{\circ}\text{C}$ .

§Only one output should be shorted at a time.

### switching characteristics, $V_{CC} = 5 \text{ V}, T_A = 25^{\circ}\text{C}$

PARAMETER¶	FROM (INPUT)	TO (OUTPUT)	TEST CONDITIONS	MIN	TYP	MAX	UNIT
$t_{PLH}$	C0	Any $\Sigma$	$C_L = 15 \text{ pF}, R_L = 400 \Omega,$ See Note 3	14	21	ns	
$t_{PHL}$				12	21		
$t_{PLH}$	$A_i$ or $B_i$	$\Sigma_i$		16	24	ns	
$t_{PHL}$				16	24		
$t_{PLH}$	C0	C4	$C_L = 15 \text{ pF}, R_L = 780 \Omega,$ See Note 3	9	14	ns	
$t_{PHL}$				11	16		
$t_{PLH}$	$A_i$ or $B_i$	C4		9	14	ns	
$t_{PHL}$				11	16		

¶  $t_{PLH}$   $\equiv$  Propagation delay time, low-to-high-level output

$t_{PHL}$   $\equiv$  Propagation delay time, high-to-low-level output

NOTE 3: Load circuit and voltage waveforms are shown on page 3-10.

# TYPES SN54LS283, SN74LS283

## 4-BIT BINARY FULL ADDERS WITH FAST CARRY

### recommended operating conditions

	SN54LS283			SN74LS283			UNIT
	MIN	NOM	MAX	MIN	NOM	MAX	
Supply voltage, $V_{CC}$	4.5	5	5.5	4.75	5	5.25	V
High-level output current, $I_{OH}$	-400			-400			$\mu$ A
Low-level output current, $I_{OL}$	4			8			mA
Operating free-air temperature, $T_A$	-55			125			$^{\circ}$ C

### electrical characteristics over recommended operating free-air temperature range (unless otherwise noted)

PARAMETER		TEST CONDITIONS†	SN54LS283			SN74LS283			UNIT
			MIN	TYP‡	MAX	MIN	TYP‡	MAX	
$V_{IH}$	High-level input voltage		2			2			V
$V_{IL}$	Low-level input voltage		0.7			0.8			V
$V_{IK}$	Input clamp voltage	$V_{CC} = \text{MIN}, I_I = -18 \text{ mA}$	-1.5			-1.5			V
$V_{OH}$	High-level output voltage	$V_{CC} = \text{MIN}, V_{IH} = 2 \text{ V}, V_{IL} = V_{IL \text{ max}}, I_{OH} = -400 \mu\text{A}$	2.5	3.4		2.7	3.4		V
$V_{OL}$	Low-level output voltage	$V_{CC} = \text{MIN}, V_{IH} = 2 \text{ V}, V_{IL} = V_{IL \text{ max}}, I_{OL} = 4 \text{ mA}$ $I_{OL} = 8 \text{ mA}$	0.25 0.4			0.25 0.4			V
$I_I$	Input current at maximum input voltage	Any A or B	0.2			0.2			mA
		C0	0.1			0.1			
$I_{IH}$	High-level input current	Any A or B	40			40			$\mu$ A
		C0	20			20			
$I_{IL}$	Low-level input current	Any A or B	-0.8			-0.8			mA
		C0	-0.4			-0.4			
$I_{OS}$	Short-circuit output current§	$V_{CC} = \text{MAX}$	-20	-100		-20	-100		mA
$I_{CC}$	Supply current	$V_{CC} = \text{MAX},$ Outputs open	All inputs grounded	22	39		22	39	mA
			All B low, other inputs at 4.5 V	19	34		19	34	
			All inputs at 4.5 V	19	34		19	34	

† For conditions shown as MIN or MAX, use the appropriate value specified under recommended operating conditions.

‡ All typical values are at  $V_{CC} = 5 \text{ V}, T_A = 25^{\circ}\text{C}$ .

§ Only one output should be shorted at a time and duration of the short-circuit should not exceed one second.

### switching characteristics, $V_{CC} = 5 \text{ V}, T_A = 25^{\circ}\text{C}$

PARAMETER¶	FROM (INPUT)	TO (OUTPUT)	TEST CONDITIONS		MIN	TYP	MAX	UNIT
$t_{PLH}$	C0	Any $\Sigma$	$C_L = 15 \text{ pF},$ See Note 4	$R_L = 2 \text{ k}\Omega,$	16	24		ns
$t_{PHL}$					15	24		
$t_{PLH}$	$A_i$ or $B_i$	$\Sigma_i$			15	24		ns
$t_{PHL}$					15	24		
$t_{PLH}$	C0	C4			11	17		ns
$t_{PHL}$					11	22		
$t_{PLH}$	$A_i$ or $B_i$	C4	11	17		ns		
$t_{PHL}$			12	17				

¶  $t_{PLH}$   $\equiv$  Propagation delay time, low-to-high-level output

$t_{PHL}$   $\equiv$  Propagation delay time, high-to-low-level output

NOTE 4: Load circuit and voltage waveforms are shown on page 3-11.

# TYPES SN54S283, SN74S283

## 4-BIT BINARY FULL ADDERS WITH FAST CARRY

REVISED DECEMBER 1980

### recommended operating conditions

		SN54S283			SN74S283			UNIT	
		MIN	NOM	MAX	MIN	NOM	MAX		
Supply voltage, $V_{CC}$		4.5	5	5.5	4.75	5	5.25	V	
High-level output current, $I_{OH}$	Any output except C4	-1			-1			mA	
	Output C4	-500			-500			$\mu$ A	
Low-level output current, $I_{OL}$	Any output except C4	20			20			mA	
	Output C4	10			10				
Operating free-air temperature, $T_A$		-55			125			0	$^{\circ}$ C

### electrical characteristics over recommended operating free-air temperature range (unless otherwise noted)

PARAMETER		TEST CONDITIONS†		MIN	TYP‡	MAX	UNIT
$V_{IH}$	High-level input voltage			2			V
$V_{IL}$	Low-level input voltage					0.8	V
$V_{IK}$	Input clamp voltage	$V_{CC} = \text{MIN}, I_I = -18 \text{ mA}$				-1.2	V
$V_{OH}$	High-level output voltage	SN54S283	$V_{CC} = \text{MIN}, V_{IH} = 2 \text{ V},$	2.5	3.4		V
		SN74S283	$V_{IL} = 0.8 \text{ V}, I_{OH} = \text{MAX}$	2.7	3.4		
$V_{OL}$	Low-level output voltage	$V_{CC} = \text{MIN}, V_{IH} = 2 \text{ V},$ $V_{IL} = 0.8 \text{ V}, I_{OL} = \text{MAX}$				0.5	V
$I_I$	Input current at maximum input voltage	$V_{CC} = \text{MAX}, V_I = 5.5 \text{ V}$				1	mA
$I_{IH}$	High-level input current	$V_{CC} = \text{MAX}, V_I = 2.7 \text{ V}$				50	$\mu$ A
$I_{IL}$	Low-level input current	$V_{CC} = \text{MAX}, V_I = 0.5 \text{ V}$				-2	mA
$I_{OS}$	Short-circuit output current§	Any output except C4	$V_{CC} = \text{MAX}$	-40		-100	mA
		Output C4		-20		-100	
$I_{CC}$	Supply current	$V_{CC} = \text{MAX},$ Outputs open	All B low, other inputs at 4.5 V		80		mA
			All inputs at 4.5 V		95	160	

†For conditions shown as MIN or MAX, use the appropriate value specified under recommended operating conditions for the applicable device type.

‡All typical values are at  $V_{CC} = 5 \text{ V}, T_A = 25^{\circ}\text{C}$ .

§ Only one output should be shorted at a time, and duration of the short-circuit should not exceed one second.

### switching characteristics, $V_{CC} = 5 \text{ V}, T_A = 25^{\circ}\text{C}$

PARAMETER†	FROM (INPUT)	TO (OUTPUT)	TEST CONDITIONS	MIN	TYP	MAX	UNIT
$t_{PLH}$	C0	Any $\Sigma$	$C_L = 15 \text{ pF}, R_L = 280 \Omega,$ See Note 3		11	18	ns
$t_{PHL}$					12	18	
$t_{PLH}$	$A_j$ or $B_j$	$\Sigma_j$			12	18	ns
$t_{PHL}$					11.5	18	
$t_{PLH}$	C0	C4	$C_L = 15 \text{ pF}, R_L = 660 \Omega,$ See Note 3		6	11	ns
$t_{PHL}$					7.5	11	
$t_{PLH}$	$A_j$ or $B_j$	C4			7.5	12	ns
$t_{PHL}$					8.5	12	

†  $t_{PLH}$  = Propagation delay time, low-to-high-level output

$t_{PHL}$  = Propagation delay time, high-to-low-level output

NOTE 3: Load circuit and voltage waveforms are shown on page 3-10.

**TTL  
LSI**

**TYPES SN54284, SN54285, SN74284, SN74285  
4-BIT-BY-4-BIT PARALLEL BINARY MULTIPLIERS**

BULLETIN NO. DL-S 7211741, MAY 1972—REVISED DECEMBER 1972

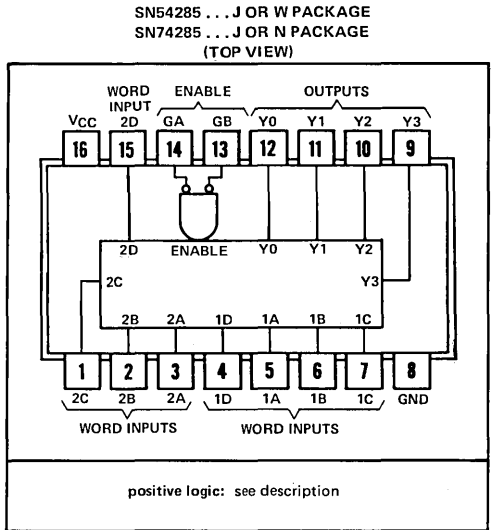
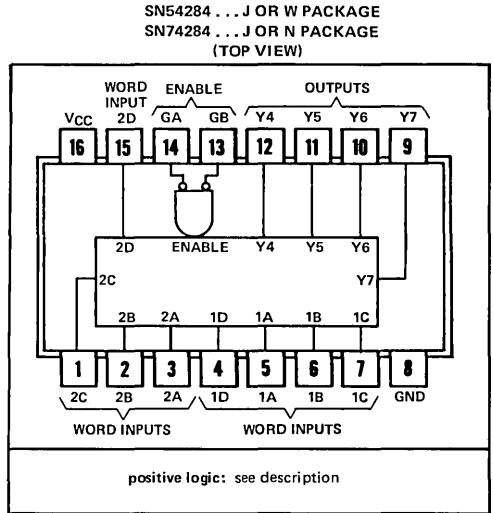
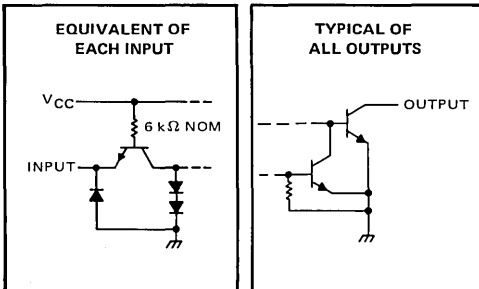
- Fast Multiplication of Two Binary Numbers  
8-Bit Product in 40 ns Typical
- Expandable for N-Bit-by-n-Bit Applications:  
16-Bit Product in 70 ns Typical  
32-Bit Product in 103 ns Typical
- Fully Compatible with Most DTL and  
TTL Circuits
- Diode-Clamped Inputs Simplify System  
Design

**description**

These high-speed TTL circuits are designed to be used in high-performance parallel multiplication applications. When connected as shown in Figure A, these circuits perform the positive-logic multiplication of two 4-bit binary words. The eight-bit binary product is generated with typically only 40 nanoseconds delay.

This basic four-by-four multiplier can be utilized as a fundamental building block for implementing larger multipliers. For example, the four-by-four building blocks can be connected as shown in Figure B to generate submultiple partial products. These results can then be summed in a Wallace tree, and, as illustrated, will produce a 16-bit product for the two eight-bit words typically in 70 nanoseconds. SN54H183/SN74H183 carry-save adders and SN54S181/SN74S181 arithmetic logic units with the SN54S182/SN74S182 look-ahead generator are used to achieve this high performance. The scheme is expandable for implementing  $N \times M$  bit multipliers.

**schematics of inputs and outputs**



The SN54284 and SN54285 are characterized for operation over the full military temperature range of  $-55^{\circ}\text{C}$  to  $125^{\circ}\text{C}$ ; the SN74284 and SN74285 are characterized for operation from  $0^{\circ}\text{C}$  to  $70^{\circ}\text{C}$ .

# TYPES SN54284, SN54285, SN74284, SN74285 4-BIT-BY-4-BIT PARALLEL BINARY MULTIPLIERS

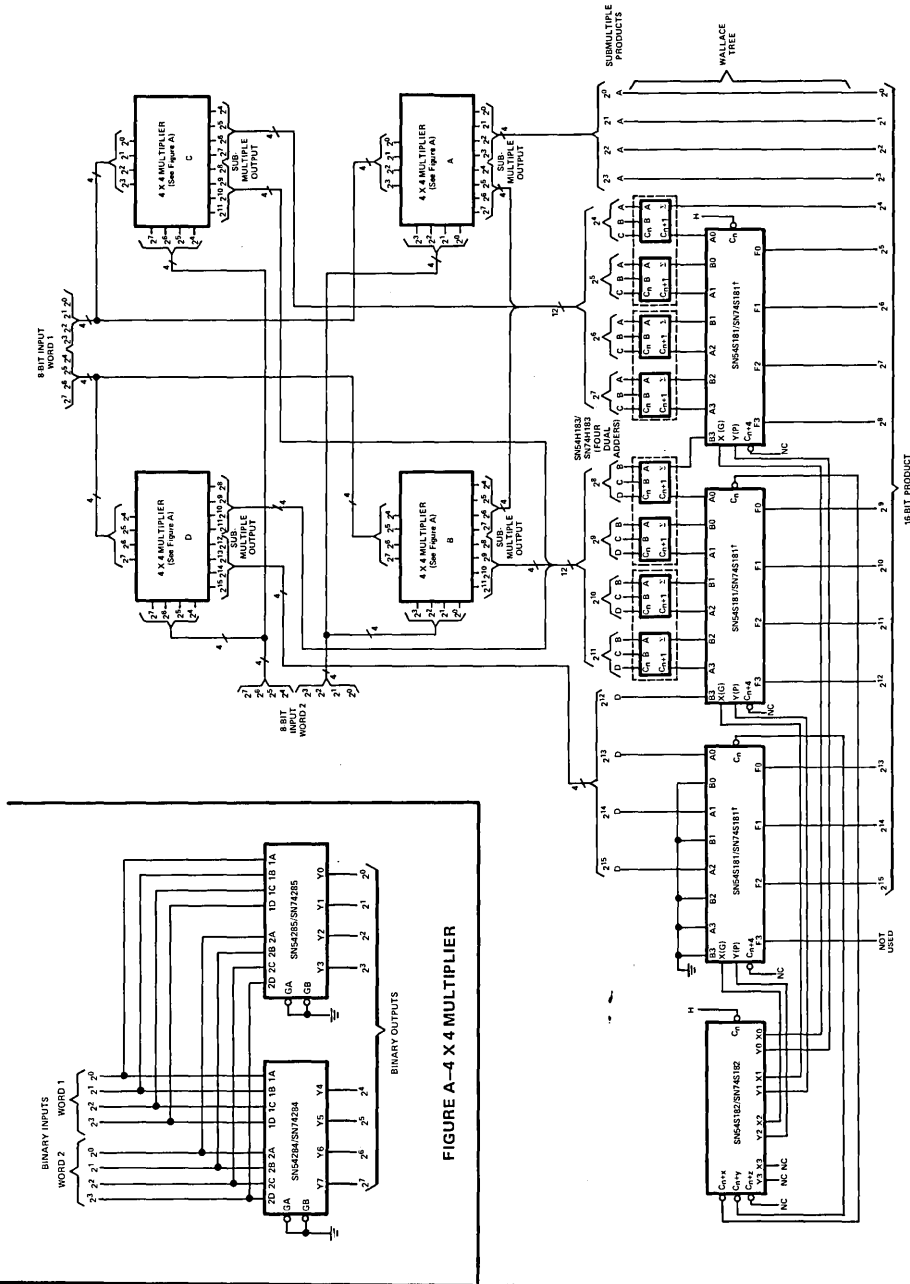


FIGURE B—8 X 8 MULTIPLIER

†Other terminals of the three SN54S181/SN74S181 ALU's are connected as follows: S3 = H, S2 = L, S1 = L, S0 = H, M = L, Output A = B. B is not used for this application.

# TYPES SN54284, SN54285, SN74284, SN74285

## 4-BIT-BY-4-BIT PARALLEL BINARY MULTIPLIERS

absolute maximum ratings over operating free-air temperature range (unless otherwise noted)

Supply voltage, $V_{CC}$ (see Note 1)	7 V
Input voltage	5.5 V
Operating free-air temperature range: SN54' Circuits	-55°C to 125°C
SN74' Circuits	0°C to 70°C
Storage temperature range	-65°C to 150°C

NOTE 1: Voltage values are with respect to network ground terminal.

recommended operating conditions

	SN54284			SN74284			UNIT
	SN54285			SN74285			
	MIN	NOM	MAX	MIN	NOM	MAX	
Supply voltage, $V_{CC}$	4.5	5	5.5	4.75	5	5.25	V
High-level output voltage, $V_{OH}$	5.5			5.5			V
Low-level output current, $I_{OL}$	16			16			mA
Operating free-air temperature, $T_A$	-55	125	0	70			°C

electrical characteristics over recommended operating free-air temperature range (unless otherwise noted)

PARAMETER	TEST CONDITIONS†	MIN	TYP‡	MAX	UNIT
$V_{IH}$ High-level input voltage		2			V
$V_{IL}$ Low-level input voltage				0.8	V
$V_I$ Input clamp voltage	$V_{CC} = \text{MIN}$ , $I_I = -12 \text{ mA}$			-1.5	V
$I_{OH}$ High-level output current	$V_{CC} = \text{MIN}$ , $V_{IH} = 2 \text{ V}$ , $V_{IL} = 0.8 \text{ V}$ , $V_{OH} = 5.5 \text{ V}$			40	μA
$V_{OL}$ Low-level output voltage	$V_{CC} = \text{MIN}$ , $V_{IH} = 2 \text{ V}$ , $V_{IL} = 0.8 \text{ V}$			0.4	V
	$I_{OL} = 12 \text{ mA}$			0.45	
$I_I$ Input current at maximum input voltage	$V_{CC} = \text{MAX}$ , $V_I = 5.5 \text{ V}$			1	mA
$I_{IH}$ High-level input current	$V_{CC} = \text{MAX}$ , $V_I = 2.4 \text{ V}$			40	μA
$I_{IL}$ Low-level input current	$V_{CC} = \text{MAX}$ , $V_I = 0.4 \text{ V}$			-1	mA
$I_{CC}$ Supply current	$V_{CC} = \text{MAX}$ , $T_A = 125^\circ\text{C}$ , See Note 2	SN54284, SN54285 N package only		99	mA
	$V_{CC} = \text{MAX}$ , See Note 2	SN54284, SN54285 SN74284, SN74285		92 110 92 130	

† For conditions shown as MIN or MAX, use the appropriate value specified under recommended operating conditions for the applicable device type.

‡ All typical values are at  $V_{CC} = 5 \text{ V}$ ,  $T_A = 25^\circ\text{C}$ .

NOTE 2: With outputs open and both enable inputs grounded,  $I_{CC}$  is measured first by selecting an output product which contains three or more high-level bits, then by selecting an output product which contains four low-level bits.

switching characteristics,  $V_{CC} = 5 \text{ V}$ ,  $T_A = 25^\circ\text{C}$

PARAMETER	TEST CONDITIONS	MIN	TYP	MAX	UNIT
$t_{PLH}$ Propagation delay time, low-to-high-level output from enable	$C_L = 30 \text{ pF}$ to GND, $R_{L1} = 300 \Omega$ to $V_{CC}$ ,		20	30	ns
$t_{PHL}$ Propagation delay time, high-to-low-level output from enable			20	30	
$t_{PLH}$ Propagation delay time, low-to-high-level output from word inputs	$R_{L2} = 600 \Omega$ to GND, See Note 3		40	60	ns
$t_{PHL}$ Propagation delay time, high-to-low-level output from word inputs			40	60	

NOTE 3: Load circuit is as described above; waveforms are shown on page 3-10.

TTL  
MSI

**TYPES SN54290, SN54293, SN54LS290, SN54LS293  
SN74290, SN74293, SN74LS290, SN74LS293  
DECADE AND 4-BIT BINARY COUNTERS**

BULLETIN NO. DL-S 7611833, MARCH 1974—REVISED OCTOBER 1976

'290, 'LS290 . . . DECADE COUNTERS  
'293, 'LS293 . . . 4-BIT BINARY COUNTERS

SN54290, SN54LS290 . . . J OR W PACKAGE  
SN74290, SN74LS290 . . . J OR N PACKAGE  
(TOP VIEW)

- GND and VCC on Corner Pins  
(Pins 7 and 14 Respectively)

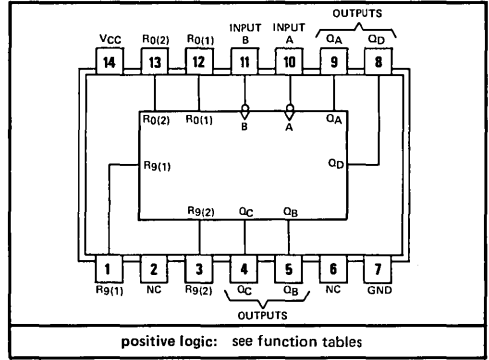
description

The SN54290/SN74290, SN54LS290/SN74LS290, SN54293/SN74293, and SN54LS293/SN74LS293 counters are electrically and functionally identical to the SN5490A/SN7490A, SN54LS90/SN74LS90, SN5493A/SN7493A, and SN54LS93/SN74LS93, respectively. Only the arrangement of the terminals has been changed for the '290, 'LS290, '293, and 'LS293.

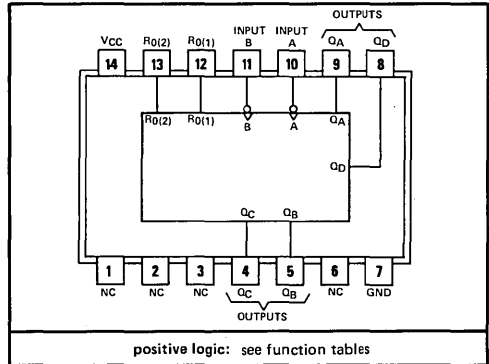
Each of these monolithic counters contains four master-slave flip-flops and additional gating to provide a divide-by-two counter and a three-stage binary counter for which the count cycle length is divide-by-five for the '290 and 'LS290 and divide-by-eight for the '293 and 'LS293.

All of these counters have a gated zero reset and the '290 and 'LS290 also have gated set-to-nine inputs for use in BCD nine's complement applications.

To use the maximum count length (decade or four-bit binary) of these counters, the B input is connected to the Q<sub>A</sub> output. The input count pulses are applied to input A and the outputs are as described in the appropriate function table. A symmetrical divide-by-ten count can be obtained from the '290 and 'LS290 counters by connecting the Q<sub>D</sub> output to the A input and applying the input count to the B input which gives a divide-by-ten square wave at output Q<sub>A</sub>.



SN54293, SN54LS293 . . . J OR W PACKAGE  
SN74293, SN74LS293 . . . J OR N PACKAGE  
(TOP VIEW)



NC—No internal connection

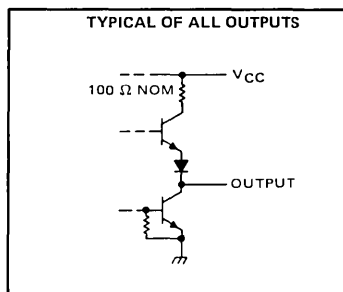
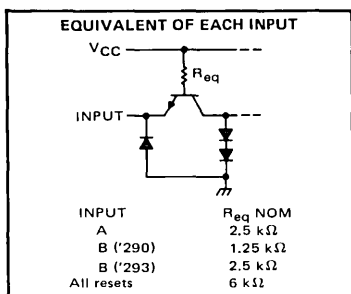
7





# TYPES SN54290, SN54293, SN74290, SN74293 DECADE AND 4-BIT BINARY COUNTERS

## schematics of inputs and outputs



## absolute maximum ratings over operating free-air temperature range (unless otherwise noted)

Supply voltage, $V_{CC}$ (see Note 1)	7 V
Input voltage	5.5 V
Interemitter voltage (see Note 2)	5.5 V
Operating free-air temperature range: SN54' Circuits	-55°C to 125°C
SN74' Circuits	0°C to 70°C
Storage temperature range	-65°C to 150°C

- NOTES: 1. Voltage values, except interemitter voltage, are with respect to network ground terminal.  
 2. This is the voltage between two emitters of a multiple-emitter transistor. For these circuits, this rating applies between the two  $R_0$  inputs, and for the '290 circuit, it also applies between the two  $R_1$  inputs.

## recommended operating conditions

		SN54'			SN74'			UNIT
		MIN	NOM	MAX	MIN	NOM	MAX	
Supply voltage, $V_{CC}$		4.5	5	5.5	4.75	5	5.25	V
High-level output current, $I_{OH}$		-800			-800			$\mu$ A
Low-level output current, $I_{OL}$		16			16			mA
Count frequency, $f_{count}$	A input	0		32		0		MHz
	B input	0		16		0		
Pulse width, $t_w$	A input	15		15				
	B input	30		30				
	Reset inputs	15		15				
Reset inactive-state setup time, $t_{su}$		25		25		ns		
Operating free-air temperature, $T_A$		-55		125		0 70		°C

# TYPES SN54290, SN54293, SN74290, SN74293

## DECADE AND 4-BIT BINARY COUNTERS

REVISED AUGUST 1977

electrical characteristics over recommended operating free-air temperature range (unless otherwise noted)

PARAMETER		TEST CONDITIONS†	'290			'293			UNIT
			MIN	TYP‡	MAX	MIN	TYP‡	MAX	
V <sub>IH</sub>	High-level input voltage		2			2			V
V <sub>IL</sub>	Low-level input voltage		0.8			0.8			V
V <sub>IK</sub>	Input clamp voltage	V <sub>CC</sub> = MIN, I <sub>I</sub> = -12 mA	-1.5			-1.5			V
V <sub>OH</sub>	High-level output voltage	V <sub>CC</sub> = MIN, V <sub>IH</sub> = 2 V, V <sub>IL</sub> = 0.8 V, I <sub>OH</sub> = -800 μA	2.4	3.4		2.4	3.4		V
V <sub>OL</sub>	Low-level output voltage	V <sub>CC</sub> = MIN, V <sub>IH</sub> = 2 V, V <sub>IL</sub> = 0.8 V, I <sub>OL</sub> = 16 mA ¶	0.2	0.4		0.2	0.4		V
I <sub>I</sub>	Input current at maximum input voltage	V <sub>CC</sub> = MAX, V <sub>I</sub> = 5.5 V	1			1			mA
I <sub>IH</sub>	High-level input current	Any reset	40			40			μA
		A input	80			80			
		B input	120			80			
I <sub>IL</sub>	Low-level input current	Any reset	-1.6			-1.6			mA
		A input	-3.2			-3.2			
		B input	-4.8			-3.2			
I <sub>OS</sub>	Short-circuit output current §	V <sub>CC</sub> = MAX	SN54'	-20	-57	-20	-57	mA	
			SN74'	-18	-57	-18	-57		
I <sub>CC</sub>	Supply current	V <sub>CC</sub> = MAX, See Note 3	29	42		26	39	mA	

† For conditions shown as MIN or MAX, use the appropriate value specified under recommended operating conditions.

‡ All typical values are at V<sub>CC</sub> = 5 V, T<sub>A</sub> = 25°C.

§ Not more than one output should be shorted at a time.

¶ I<sub>QA</sub> outputs are tested at I<sub>OL</sub> = 16 mA plus the limit value of I<sub>IL</sub> for the B input. This permits driving the B input while maintaining full fan-out capability.

NOTE 3: I<sub>CC</sub> is measured with all outputs open, both R<sub>D</sub> inputs grounded following momentary connection to 4.5 V, and all other inputs grounded.

switching characteristics, V<sub>CC</sub> = 5 V, T<sub>A</sub> = 25°C

PARAMETER <sup>◇</sup>	FROM (INPUT)	TO (OUTPUT)	TEST CONDITIONS	'290			'293			UNIT
				MIN	TYP	MAX	MIN	TYP	MAX	
f <sub>max</sub>	A	Q <sub>A</sub>	C <sub>L</sub> = 15 pF, R <sub>L</sub> = 400 Ω, See Note 4	32	42		32	42		MHz
	B	Q <sub>B</sub>		16			16			
t <sub>PLH</sub>	A	Q <sub>A</sub>		10	16		10	16		ns
t <sub>PHL</sub>				12	18		12	18		
t <sub>PLH</sub>	A	Q <sub>D</sub>		32	48		46	70		ns
t <sub>PHL</sub>				34	50		46	70		
t <sub>PLH</sub>	B	Q <sub>B</sub>		10	16		10	16		ns
t <sub>PHL</sub>				14	21		14	21		
t <sub>PLH</sub>	B	Q <sub>C</sub>		21	32		21	32		ns
t <sub>PHL</sub>				23	35		23	35		
t <sub>PLH</sub>	B	Q <sub>D</sub>		21	32		34	51		ns
t <sub>PHL</sub>				23	35		34	51		
t <sub>PHL</sub>	Set-to-0	Any		26	40		26	40		ns
t <sub>PLH</sub>	Set-to-9	Q <sub>A</sub> , Q <sub>D</sub>		20	30					ns
t <sub>PHL</sub>		Q <sub>B</sub> , Q <sub>C</sub>	26	40						

◇ f<sub>max</sub> ≡ maximum count frequency

t<sub>PLH</sub> ≡ propagation delay time, low-to-high-level output

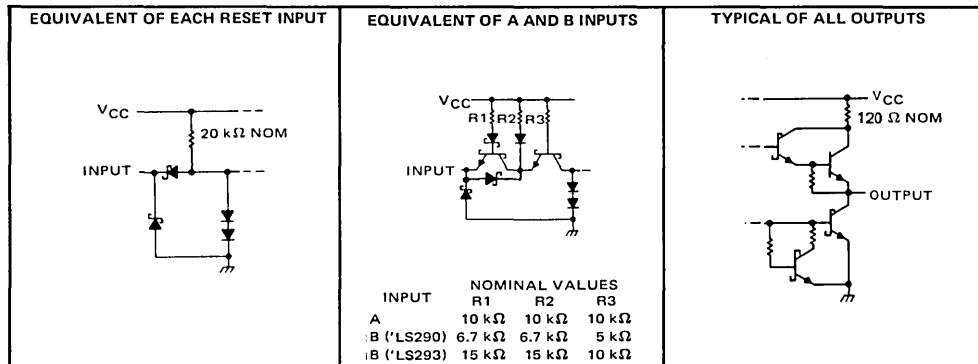
t<sub>PHL</sub> ≡ propagation delay time, high-to-low-level output

NOTE 4: Load circuit and voltage waveforms are the same as those shown for the '90A and '93A, page 3-10.

# TYPES SN54LS290, SN54LS293, SN74LS290, SN74LS293 DECADE AND 4-BIT BINARY COUNTERS

REVISED OCTOBER 1976

## schematics of inputs and outputs



## absolute maximum ratings over operating free-air temperature range (unless otherwise noted)

Supply voltage, $V_{CC}$ (see Note 5)	7 V
Input voltage: R inputs	7 V
A and B inputs	5.5 V
Operating free-air temperature range: SN54LS290, SN54LS293	-55°C to 125°C
SN74LS290, SN74LS293	0°C to 70°C
Storage temperature range	-65°C to 150°C

NOTE 5: Voltage values are with respect to network ground terminal.

7

## recommended operating conditions

	SN54LS*			SN74LS*			UNIT
	MIN	NOM	MAX	MIN	NOM	MAX	
Supply voltage, $V_{CC}$	4.5	5	5.5	4.75	5	5.25	V
High-level output current, $I_{OH}$			-400			-400	μA
Low-level output current, $I_{OL}$			4			8	mA
Count frequency, $f_{count}$	A input	0	32	0	32		MHz
	B input	0	16	0	16		
Pulse width, $t_w$	A input	15		15			ns
	B input	30		30			
	Reset inputs	15		15			
Reset inactive-state setup time, $t_{SU}$		25			25		ns
Operating free-air temperature, $T_A$		-55	125		0	70	°C

# TYPES SN54LS290, SN54LS293, SN74LS290, SN74LS293

## DECADE AND 4-BIT BINARY COUNTERS

REVISED OCTOBER 1976

electrical characteristics over recommended operating free-air temperature range (unless otherwise noted)

PARAMETER		TEST CONDITIONS†	SN54LS'			SN74LS'			UNIT	
			MIN	TYP‡	MAX	MIN	TYP‡	MAX		
V <sub>IH</sub>	High-level input voltage		2			2			V	
V <sub>IL</sub>	Low-level input voltage				0.7			0.8	V	
V <sub>IK</sub>	Input clamp voltage	V <sub>CC</sub> = MIN, I <sub>I</sub> = -18 mA			-1.5			-1.5	V	
V <sub>OH</sub>	High-level output voltage	V <sub>CC</sub> = MIN, V <sub>IH</sub> = 2 V, V <sub>IL</sub> = V <sub>IL</sub> max, I <sub>OH</sub> = -400 µA	2.5	3.4		2.7	3.4		V	
V <sub>OL</sub>	Low-level output voltage	V <sub>CC</sub> = MIN, V <sub>IH</sub> = 2 V, V <sub>IL</sub> = V <sub>IL</sub> max			0.25	0.4		0.25	0.4	V
								0.35	0.5	V
I <sub>I</sub>	Input current at maximum input voltage	Any reset	V <sub>CC</sub> = MAX, V <sub>I</sub> = 7 V			0.1			0.1	mA
		A input	V <sub>CC</sub> = MAX, V <sub>I</sub> = 5.5 V			0.2			0.2	
		B of 'LS290	V <sub>CC</sub> = MAX, V <sub>I</sub> = 5.5 V			0.4			0.4	
		B of 'LS293	V <sub>CC</sub> = MAX, V <sub>I</sub> = 5.5 V			0.2			0.2	
I <sub>IH</sub>	High-level input current	Any reset	V <sub>CC</sub> = MAX, V <sub>I</sub> = 2.7 V			20			20	µA
		A input	V <sub>CC</sub> = MAX, V <sub>I</sub> = 2.7 V			40			40	
		B of 'LS290	V <sub>CC</sub> = MAX, V <sub>I</sub> = 2.7 V			80			80	
		B of 'LS293	V <sub>CC</sub> = MAX, V <sub>I</sub> = 2.7 V			40			40	
I <sub>IL</sub>	Low-level input current	Any reset	V <sub>CC</sub> = MAX, V <sub>I</sub> = 0.4 V			-0.4			-0.4	mA
		A input	V <sub>CC</sub> = MAX, V <sub>I</sub> = 0.4 V			-2.4			-2.4	
		B of 'LS290	V <sub>CC</sub> = MAX, V <sub>I</sub> = 0.4 V			-3.2			-3.2	
		B of 'LS293	V <sub>CC</sub> = MAX, V <sub>I</sub> = 0.4 V			-1.6			-1.6	
I <sub>OS</sub>	Short-circuit output current§	V <sub>CC</sub> = MAX	-20	-100	-20	-100			mA	
I <sub>CC</sub>	Supply current	V <sub>CC</sub> = MAX, See Note 3	'LS290			9			15	mA
			'LS293			9			15	

† For conditions shown as MIN or MAX, use the appropriate value specified under recommended operating conditions.

‡ All typical values are at V<sub>CC</sub> = 5 V, T<sub>A</sub> = 25°C.

§ Not more than one output should be shorted at a time, and duration of the short-circuit should not exceed one second.

¶ Q<sub>A</sub> outputs are tested at specified I<sub>OL</sub> plus the limit value of I<sub>IL</sub> for the B input. This permits driving the B input while maintaining full fan-out capability.

NOTE 3: I<sub>CC</sub> is measured with all outputs open, both R<sub>0</sub> inputs grounded following momentary connection to 4.5 V, and all other inputs grounded.

switching characteristics, V<sub>CC</sub> = 5 V, T<sub>A</sub> = 25°C

PARAMETER <sup>◇</sup>	FROM (INPUT)	TO (OUTPUT)	TEST CONDITIONS	'LS290			'LS293			UNIT
				MIN	TYP	MAX	MIN	TYP	MAX	
f <sub>max</sub>	A	Q <sub>A</sub>	C <sub>L</sub> = 15 pF, R <sub>L</sub> = 2 kΩ, See Note 6	32	42		32	42		MHz
	B	Q <sub>B</sub>		16			16			
t <sub>PLH</sub>	A	Q <sub>A</sub>		10	16		10	16		ns
				12	18		12	18		
t <sub>PLH</sub>	A	Q <sub>D</sub>		32	48		46	70		ns
				34	50		46	70		
t <sub>PLH</sub>	B	Q <sub>B</sub>		10	16		10	16		ns
				14	21		14	21		
t <sub>PLH</sub>	B	Q <sub>C</sub>		21	32		21	32		ns
				23	35		23	35		
t <sub>PLH</sub>	B	Q <sub>D</sub>		21	32		34	51		ns
				23	35		34	51		
t <sub>PHL</sub>	Set-to-0	Any		26	40		26	40		ns
				20	30					
t <sub>PHL</sub>	Set-to-9	Q <sub>A</sub> , Q <sub>D</sub>	20	30					ns	
		Q <sub>B</sub> , Q <sub>C</sub>	26	40						

◇ f<sub>max</sub> ≡ maximum count frequency

t<sub>PLH</sub> ≡ propagation delay time, low to high-level output

t<sub>PHL</sub> ≡ propagation delay time, high to low-level output

NOTE 6: Load circuit and voltage waveforms are the same as those shown for the 'LS90 and 'LS93, pages 7-80.

TTL  
MSI

# TYPES SN54LS295B, SN74LS295B 4-BIT RIGHT-SHIFT LEFT-SHIFT REGISTERS WITH 3-STATE OUTPUTS

BULLETIN NO. DL-S 7711780, OCTOBER 1976—REVISED AUGUST 1977

- 'LS295B Offers Three Times the Sink-Current Capability of 'LS295A
- Schottky-Diode-Clamped Transistors
- Low Power Dissipation . . . 80 mW Typical (Enabled)
- Applications:
  - N-Bit Serial-To-Parallel Converter
  - N-Bit Parallel-To-Serial Converter
  - N-Bit Storage Register

### description

These 4-bit registers feature parallel inputs, parallel outputs, and clock, serial, mode, and output control inputs. The registers have three modes of operation:

- Parallel (broadside) load
- Shift right (the direction  $Q_A$  toward  $Q_D$ )
- Shift left (the direction  $Q_D$  toward  $Q_A$ )

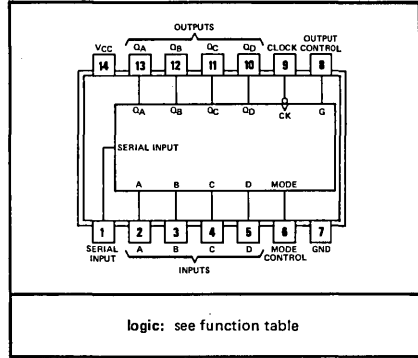
Parallel loading is accomplished by applying the four bits of data and taking the mode control input high. The data is loaded into the associated flip-flops and appears at the outputs after the high-to-low transition of the clock input. During parallel loading, the entry of serial data is inhibited.

Shift right is accomplished when the mode control is low; shift left is accomplished when the mode control is high by connecting the output of each flip-flop to the parallel input of the previous flip-flop ( $Q_D$  to input C, etc.) and serial data is entered at input D.

When the output control is high, the normal logic levels of the four outputs are available for driving the loads or bus lines. The outputs are disabled independently from the level of the clock by a low logic level at the output control input. The outputs then present a high impedance and neither load nor drive the bus line; however, sequential operation of the registers is not affected.

The SN54LS295B is characterized for operation over the full military temperature range of  $-55^{\circ}\text{C}$  to  $125^{\circ}\text{C}$ ; the SN74LS295B is characterized for operation from  $0^{\circ}\text{C}$  to  $70^{\circ}\text{C}$ .

SN54LS295B . . . J OR W PACKAGE  
SN74LS295B . . . J OR N PACKAGE  
(TOP VIEW)



FUNCTION TABLE

MODE CONTROL	CLOCK	INPUTS				OUTPUTS				
		SERIAL	PARALLEL			$Q_A$	$Q_B$	$Q_C$	$Q_D$	
			A	B	C	D				
H	H	X	X	X	X	X	$Q_{A0}$	$Q_{B0}$	$Q_{C0}$	$Q_{D0}$
H	↓	X	a	b	c	d	a	b	c	d
H	↓	X	$Q_B^\dagger$	$Q_C^\dagger$	$Q_D^\dagger$	d	$Q_{Bn}$	$Q_{Cn}$	$Q_{Dn}$	d
L	H	X	X	X	X	X	$Q_{A0}$	$Q_{B0}$	$Q_{C0}$	$Q_{D0}$
L	↓	H	X	X	X	X	H	$Q_{An}$	$Q_{Bn}$	$Q_{Cn}$
L	↓	L	X	X	X	X	L	$Q_{An}$	$Q_{Bn}$	$Q_{Cn}$

When the output control is low, the outputs are disabled to the high-impedance state; however, sequential operation of the registers is not affected.

†Shifting left requires external connection of  $Q_B$  to A,  $Q_C$  to B, and  $Q_D$  to C. Serial data is entered at input D.

H = high level (steady state), L = low level (steady state), X = irrelevant (any input, including transitions)

↓ = transition from high to low level.

a, b, c, d = the level of steady-state input at inputs A, B, C, or D, respectively.

$Q_{A0}$ ,  $Q_{B0}$ ,  $Q_{C0}$ ,  $Q_{D0}$  = the level of  $Q_A$ ,  $Q_B$ ,  $Q_C$ , or  $Q_D$ , respectively, before the indicated steady-state input conditions were established.

$Q_{An}$ ,  $Q_{Bn}$ ,  $Q_{Cn}$ ,  $Q_{Dn}$  = the level of  $Q_A$ ,  $Q_B$ ,  $Q_C$ , or  $Q_D$ , respectively, before the most-recent ↓ transition of the clock.

See explanation of function tables on page 3-8.

TEXAS INSTRUMENTS  
INCORPORATED  
POST OFFICE BOX 5012 • DALLAS, TEXAS 75222

7-429

# TYPES SN54LS295B, SN74LS295B 4-BIT RIGHT-SHIFT LEFT-SHIFT REGISTERS WITH 3-STATE OUTPUTS

REVISED DECEMBER 1980

absolute maximum ratings over operating free-air temperature range (unless otherwise noted)

Supply voltage, $V_{CC}$ (see Note 1)	7 V
Input voltage	7 V
Operating free-air temperature range: SN54LS295B	-55°C to 125°C
SN74LS295B	0°C to 70°C
Storage temperature range	-65°C to 150°C

NOTE 1: Voltage values are with respect to network ground terminal.

recommended operating conditions

	SN54LS295B			SN74LS295B			UNIT
	MIN	NOM	MAX	MIN	NOM	MAX	
Supply voltage, $V_{CC}$	4.5	5	5.5	4.75	5	5.25	V
High-level output current, $I_{OH}$			-1			-2.6	mA
Low-level output current, $I_{OL}$			12			24	mA
Clock frequency, $f_{clock}$	0		30	0		30	MHz
Width of clock pulse, $t_w(\text{clock})$	16			16			ns
Setup time, high-level or low-level data, $t_{SU}$	20			20			ns
Hold time, high-level or low-level data, $t_H$	20			20			ns
Operating free-air temperature, $T_A$	-55		125	0		70	°C

electrical characteristics over recommended operating free-air temperature range (unless otherwise noted)

PARAMETER	TEST CONDITIONS†	SN54LS295B			SN74LS295B			UNIT
		MIN	TYP‡	MAX	MIN	TYP‡	MAX	
$V_{IH}$ High-level input voltage		2			2			V
$V_{IL}$ Low-level input voltage				0.7			0.8	V
$V_{IK}$ Input clamp voltage	$V_{CC} = \text{MIN}, I_I = -18 \text{ mA}$			-1.5			-1.5	V
$V_{OH}$ High-level output voltage	$V_{CC} = \text{MIN}, V_{IH} = 2 \text{ V}, V_{IL} = V_{IL \text{ max}}, I_{OH} = \text{MAX}$	2.4	3.4		2.4	3.1		V
$V_{OL}$ Low-level output voltage	$V_{CC} = \text{MIN}, V_{IH} = 2 \text{ V}, V_{IL} = V_{IL \text{ max}}, I_{OL} = 12 \text{ mA}$ $I_{OL} = 24 \text{ mA}$		0.25	0.4		0.25	0.4	V
$I_{OZH}$ Off-state output current, high-level voltage applied	$V_{CC} = \text{MAX}, V_{IL} = V_{IL \text{ max}}, V_O = 2.7 \text{ V}$			20			20	µA
$I_{OZL}$ Off-state output current, low-level voltage applied	$V_{CC} = \text{MAX}, V_{IH} = 2 \text{ V}, V_O = 0.4 \text{ V}$			-20			-20	µA
$I_I$ Input current at maximum input voltage	$V_{CC} = \text{MAX}, V_I = 7 \text{ V}$			0.1			0.1	mA
$I_{IH}$ High-level input current	$V_{CC} = \text{MAX}, V_I = 2.7 \text{ V}$			20			20	µA
$I_{IL}$ Low-level input current	$V_{CC} = \text{MAX}, V_I = 0.4 \text{ V}$			-0.4			-0.4	mA
$I_{OS}$ Short-circuit output current§	$V_{CC} = \text{MAX}$	-30		-130	-30		-130	mA
$I_{CC}$ Supply current	$V_{CC} = \text{MAX},$ See Note 2	Condition A	20	29	20	29		mA
		Condition B	22	33	22	33		

† For conditions shown as MIN or MAX, use the appropriate value specified under recommended operating conditions.

‡ All typical values are at  $V_{CC} = 5 \text{ V}, T_A = 25^\circ\text{C}$ .

§ Not more than one output should be shorted at a time, and duration of the short-circuit should not exceed one second.

NOTE 2:  $I_{CC}$  is measured with the outputs open, the serial input and mode control at 4.5 V, and the data inputs grounded under the following conditions:

- Output control at 4.5 V and a momentary 3 V, then ground, applied to clock input.
- Output control and clock input grounded.

# TYPES SN54LS295B SN74LS295B

## 4-BIT RIGHT-SHIFT LEFT-SHIFT REGISTERS

### WITH 3-STATE OUTPUTS

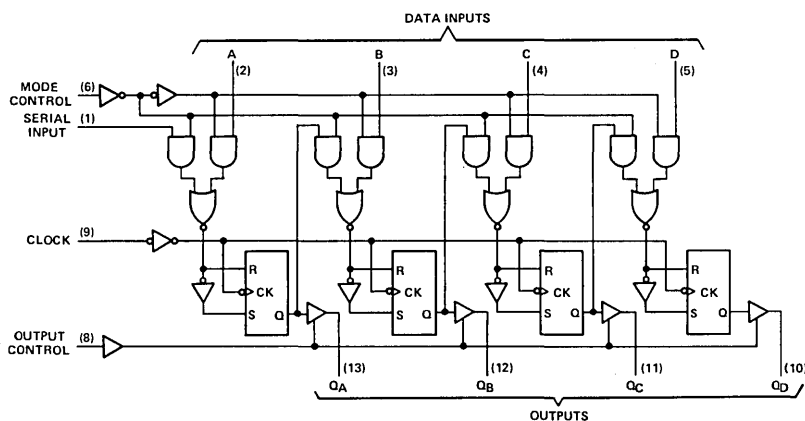
REVISED AUGUST 1977

switching characteristics,  $V_{CC} = 5\text{ V}$ ,  $T_A = 25\text{ C}$ ,  $R_L = 667\ \Omega$

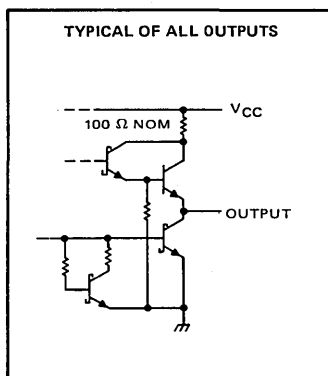
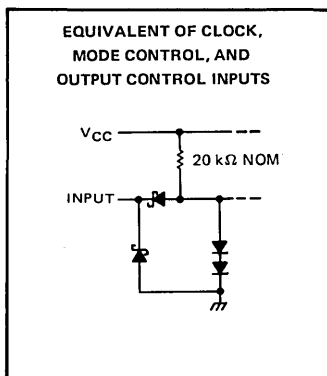
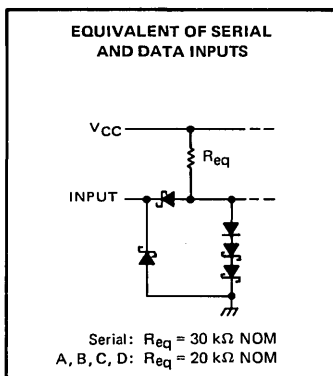
PARAMETER	TEST CONDITIONS	MIN	TYP	MAX	UNIT
$f_{max}$ Maximum clock frequency	$C_L = 45\text{ pF}$ , See Note 3	30	45		MHz
$t_{pLH}$ Propagation delay time, low-to-high-level output		14	20		ns
$t_{pHL}$ Propagation delay time, high-to-low-level output		19	30		ns
$t_{pZH}$ Output enable time to high level		18	26		ns
$t_{pZL}$ Output enable time to low level		20	30		ns
$t_{PHZ}$ Output disable time from high level	$C_L = 5\text{ pF}$ , See Note 3	13	20		ns
$t_{PLZ}$ Output disable time from low level		13	20		ns

NOTE 3: Load circuit and voltage waveforms are shown on page 3-11.

### functional block diagram



### schematics of inputs and outputs



7



# TYPES SN54298, SN54LS298, SN74298, SN74LS298 QUADRUPLE 2-INPUT MULTIPLEXERS WITH STORAGE

BULLETIN NO. DL-S 7611747, MARCH 1974—REVISED OCTOBER 1976

- **Selects One of Two 4-Bit Data Sources and Stores Data Synchronously with System Clock**
- **Applications:**  
 Dual Source for Operands and Constants in Arithmetic Processor; Can Release Processor Register Files for Acquiring New Data  
 Implement Separate Registers Capable of Parallel Exchange of Contents Yet Retain External Load Capability  
 Universal Type Register for Implementing Various Shift Patterns; Even Has Compound Left-Right Capabilities

**description**

These monolithic quadruple two-input multiplexers with storage provide essentially the equivalent functional capabilities of two separate MSI functions (SN54157/SN74157 or SN54LS157/SN74LS157 and SN54175/SN74175 or SN54LS175/SN74LS175) in a single 16-pin package.

When the word-select input is low, word 1 (A1, B1, C1, D1) is applied to the flip-flops. A high input to word select will cause the selection of word 2 (A2, B2, C2, D2). The selected word is clocked to the output terminals on the negative-going edge of the clock pulse.

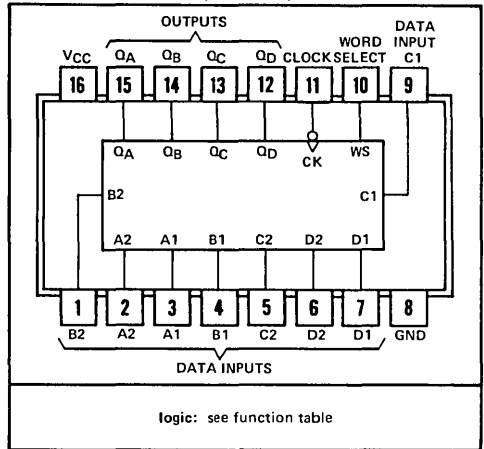
Typical power dissipation is 195 milliwatts for the '298 and 65 milliwatts for the 'LS298. SN54298 and SN54LS298 are characterized for operation over the full military temperature range of -55°C to 125°C; SN74298 and SN74LS298 are characterized for operation from 0°C to 70°C.

**FUNCTION TABLE**

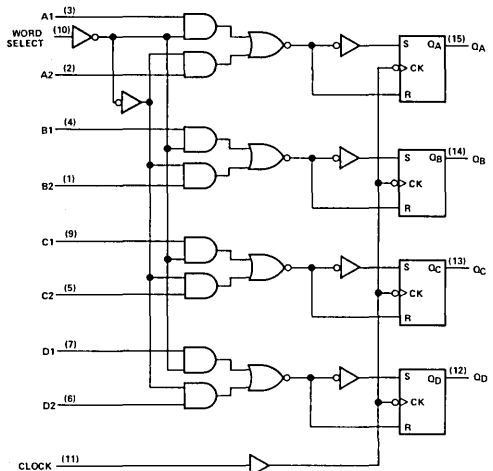
INPUTS		OUTPUTS			
WORD SELECT	CLOCK	Q <sub>A</sub>	Q <sub>B</sub>	Q <sub>C</sub>	Q <sub>D</sub>
L	↓	a1	b1	c1	d1
H	↓	a2	b2	c2	d2
X	H	Q <sub>A0</sub>	Q <sub>B0</sub>	Q <sub>C0</sub>	Q <sub>D0</sub>

H = high level (steady state)  
 L = low level (steady state)  
 X = irrelevant (any input, including transitions)  
 ↓ = transition from high to low level  
 a1, a2, etc. = the level of steady-state input at A1, A2, etc.  
 Q<sub>A0</sub>, Q<sub>B0</sub>, etc. = the level of Q<sub>A</sub>, Q<sub>B</sub>, etc. entered on the most-recent ↓ transition of the clock input.

SN54298, SN54LS298 . . . J OR W PACKAGE  
 SN74298, SN74LS298 . . . J OR N PACKAGE  
 (TOP VIEW)



**functional block diagram**

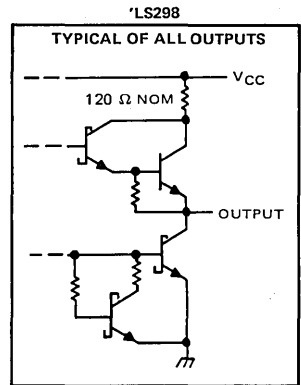
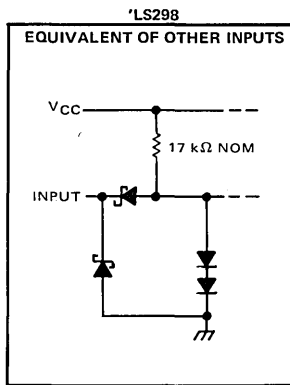
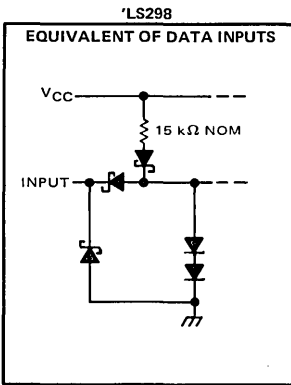
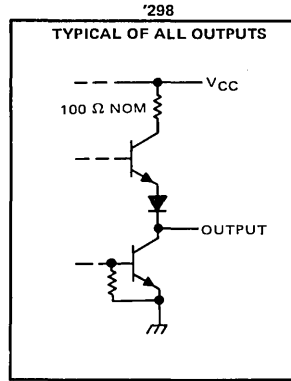
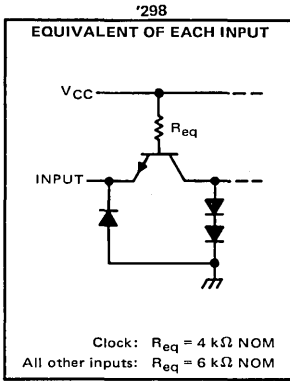


⏚ . . . Dynamic input activated by a transition from a high level to a low level

# TYPES SN54298, SN54LS298, SN74298, SN74LS298 QUADRUPLE 2-INPUT MULTIPLEXERS WITH STORAGE

REVISED OCTOBER 1976

schematics of inputs and outputs



7

# TYPES SN54298, SN74298

## QUADRUPLE 2-INPUT MULTIPLEXERS WITH STORAGE

absolute maximum ratings over operating free-air temperature range (unless otherwise noted)

Supply voltage, $V_{CC}$ (see Note 1)	7 V
Input voltage	5.5 V
Operating free-air temperature range: SN54298	-55°C to 125°C
SN74298	0°C to 70°C
Storage temperature	-65°C to 150°C

NOTE 1: Voltage values are with respect to network ground terminal.

recommended operating conditions

	SN54298			SN74298			UNIT
	MIN	NOM	MAX	MIN	NOM	MAX	
Supply voltage, $V_{CC}$	4.5	5	5.5	4.75	5	5.25	V
High-level output current, $I_{OH}$	-800			-800			$\mu$ A
Low-level output current, $I_{OL}$	16			16			mA
Width of clock pulse, high or low level, $t_w$	20			20			ns
Setup time, $t_{su}$	Data	15		15		ns	
	Word select	25		25			
Hold time, $t_h$	Data	5		5		ns	
	Word select	0		0			
Operating free-air temperature, $T_A$	-55		125	0	70		°C

electrical characteristics over recommended operating free-air temperature range (unless otherwise noted)

PARAMETER	TEST CONDITIONS†	MIN	TYP‡	MAX	UNIT
$V_{IH}$ High-level input voltage		2			V
$V_{IL}$ Low-level input voltage				0.8	V
$V_{IK}$ Input clamp voltage	$V_{CC} = \text{MIN}, I_I = -12 \text{ mA}$			-1.5	V
$V_{OH}$ High-level output voltage	$V_{CC} = \text{MIN}, V_{IH} = 2 \text{ V}, V_{IL} = 0.8 \text{ V}, I_{OH} = -800 \mu\text{A}$	2.4	3.2		V
$V_{OL}$ Low-level output voltage	$V_{CC} = \text{MIN}, V_{IH} = 2 \text{ V}, V_{IL} = 0.8 \text{ V}, I_{OL} = 16 \text{ mA}$			0.4	V
$I_I$ Input current at maximum input voltage	$V_{CC} = \text{MAX}, V_I = 5.5 \text{ V}$			1	mA
$I_{IH}$ High-level input current	$V_{CC} = \text{MAX}, V_I = 2.4 \text{ V}$			40	$\mu$ A
$I_{IL}$ Low-level input current	$V_{CC} = \text{MAX}, V_I = 0.4 \text{ V}$			-1.6	mA
$I_{OS}$ Short-circuit output current§	$V_{CC} = \text{MAX}$	SN54298	-20		mA
		SN74298	-18		
$I_{CC}$ Supply current	$V_{CC} = \text{MAX},$ See Note 2	39		65	mA

† For conditions shown as MIN or MAX, use the appropriate value specified under recommended operating conditions.

‡ All typical values are at  $V_{CC} = 5 \text{ V}, T_A = 25^\circ\text{C}$ .

§ Not more than one output should be shorted at a time.

NOTE 2: With all outputs open and all inputs except clock low,  $I_{CC}$  is measured after applying a momentary 4.5 V, followed by ground, to the clock input.

switching characteristics,  $V_{CC} = 5 \text{ V}, T_A = 25^\circ\text{C}$

PARAMETER	TEST CONDITIONS	MIN	TYP	MAX	UNIT
$t_{pLH}$ Propagation delay time, low-to-high-level output	$C_L = 15 \text{ pF}, R_L = 400 \Omega,$	18		27	ns
$t_{pHL}$ Propagation delay time, high-to-low-level output	See Note 3	21		32	

NOTE 3: Load circuit and waveforms are shown on page 3-10.

# TYPES SN54LS298, SN74LS298

## QUADRUPLE 2-INPUT MULTIPLEXERS WITH STORAGE

REVISED OCTOBER 1976

absolute maximum ratings over operating free-air temperature range (unless otherwise noted)

Supply voltage, $V_{CC}$ (see Note 1)	7 V
Input voltage	7 V
Operating free-air temperature range: SN54LS298	-55°C to 125°C
SN74LS298	0°C to 70°C
Storage temperature range	-65°C to 150°C

NOTE 1: Voltage values are with respect to network ground terminal.

recommended operating conditions

	SN54LS298			SN74LS298			UNIT
	MIN	NOM	MAX	MIN	NOM	MAX	
Supply voltage, $V_{CC}$	4.5	5	5.5	4.75	5	5.25	V
High-level output current, $I_{OH}$	-400			-400			$\mu$ A
Low-level output current, $I_{OL}$	4			8			mA
Width of clock pulse, high or low level, $t_{w}$	20			20			ns
Setup time, $t_{su}$	Data	15		15			ns
	Word select	25		25			
Hold time, $t_h$	Data	5		5			ns
	Word select	0		0			
Operating free-air temperature, $T_A$	-55		125	0	70		°C

electrical characteristics over recommended operating free-air temperature range (unless otherwise noted)

PARAMETER	TEST CONDITIONS†	SN54LS298			SN74LS298			UNIT
		MIN	TYP‡	MAX	MIN	TYP‡	MAX	
$V_{IH}$ High-level input voltage		2			2			V
$V_{IL}$ Low-level input voltage		0.7			0.8			V
$V_{IK}$ Input clamp voltage	$V_{CC} = \text{MIN}, I_I = -18 \text{ mA}$	-1.5			-1.5			V
$V_{OH}$ High-level output voltage	$V_{CC} = \text{MIN}, V_{IH} = 2 \text{ V}, V_{IL} = V_{IL \text{ max}}, I_{OH} = -400 \mu\text{A}$	2.5	3.4		2.7	3.4		V
$V_{OL}$ Low-level output voltage	$V_{CC} = \text{MIN}, V_{IH} = 2 \text{ V}, V_{IL} = V_{IL \text{ max}}$	0.25 0.4			0.25 0.4		V	
		IOL = 4 mA			IOL = 8 mA			
$I_I$ Input current at maximum input voltage	$V_{CC} = \text{MAX}, V_I = 7 \text{ V}$	0.1			0.1			mA
$I_{IH}$ High-level input current	$V_{CC} = \text{MAX}, V_I = 2.7 \text{ V}$	20			20			$\mu$ A
$I_{IL}$ Low-level input current	$V_{CC} = \text{MAX}, V_I = 0.4 \text{ V}$	-0.4			-0.4			mA
$I_{OS}$ Short-circuit output current§	$V_{CC} = \text{MAX}$	-20	-100		-20	-100	mA	
$I_{CC}$ Supply current	$V_{CC} = \text{MAX},$ See Note 2	13	21		13	21	mA	

† For conditions shown as MIN or MAX, use the appropriate value specified under recommended operating conditions.

‡ All typical values are at  $V_{CC} = 5 \text{ V}, T_A = 25^\circ \text{C}$ .

§ Not more than one output should be shorted at a time, and duration of the short-circuit should not exceed one second.

NOTE 2: With all outputs open and all inputs except clock low,  $I_{CC}$  is measured after applying a momentary 4.5 V, followed by ground, to the clock input.

switching characteristics,  $V_{CC} = 5 \text{ V}, T_A = 25^\circ \text{C}$

PARAMETER	TEST CONDITIONS	MIN	TYP	MAX	UNIT
$t_{PLH}$ Propagation delay time, low-to-high-level output	$C_L = 15 \text{ pF}, R_L = 2 \text{ k}\Omega,$	18	27		ns
$t_{PHL}$ Propagation delay time, high-to-low-level output	See Note 4	21	32		

NOTE 4: Load circuit and waveforms are shown on page 3-11.

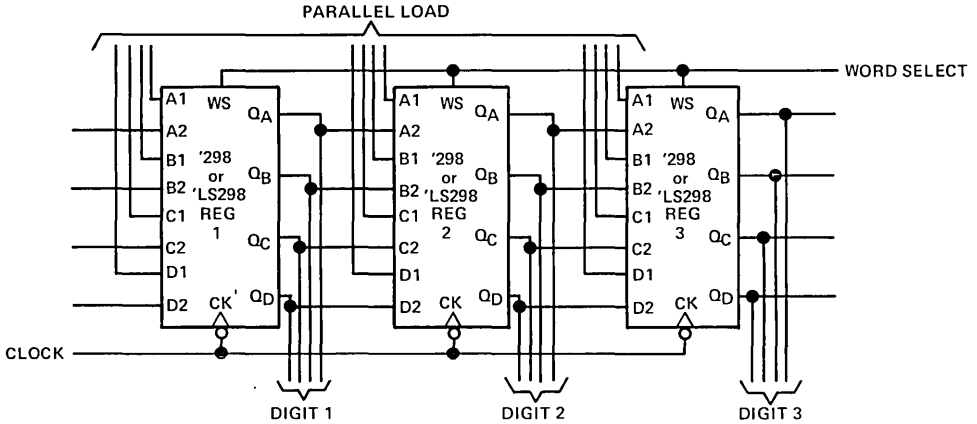
# TYPES SN54298, SN54LS298, SN74298, SN74LS298

## QUADRUPLE 2-INPUT MULTIPLEXERS WITH STORAGE

### TYPICAL APPLICATION DATA

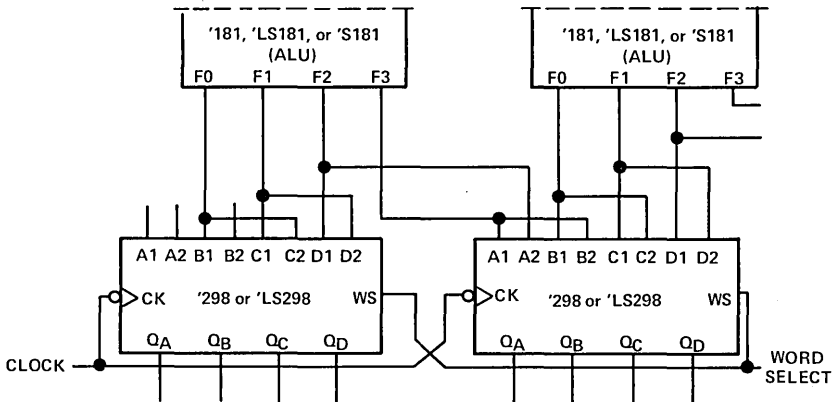
This versatile multiplexer/register can be connected to operate as a shift register that can shift N-places in a single clock pulse.

The following figure illustrates a BCD shift register that will shift an entire 4-bit BCD digit in one clock pulse.



When the word-select input is high and the registers are clocked, the contents of register 1 is transferred (shifted) to register 2 and etc. In effect, the BCD digits are shifted one position. In addition, this application retains a parallel-load capability which means that new BCD data can be entered in the entire register with one clock pulse. This arrangement can be modified to perform the shifting of binary data for any number of bit locations.

Another function that can be implemented with the '298 or 'LS298 is a register that can be designed specifically for supporting multiplier or division operations. The example below is a one place/two-place shift register.



When word select is low and the register is clocked, the outputs of the arithmetic/logic units (ALU's) are shifted one place. When word select is high and the registers are clocked, the data is shifted two places.

TTL  
LSI

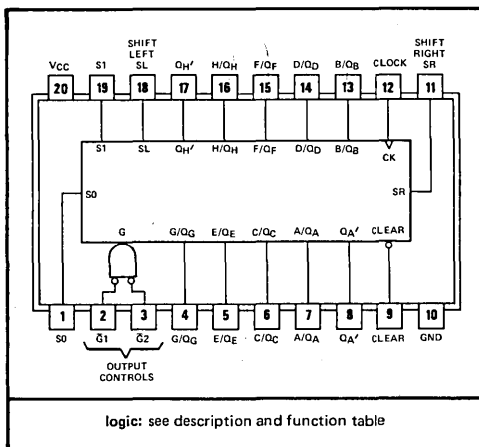
# TYPES SN54LS299, SN54S299, SN74LS299, SN74S299 8-BIT UNIVERSAL SHIFT/STORAGE REGISTERS

BULLETIN NO. DL-S 12115, MARCH 1974—REVISED DECEMBER 1980

- Multiplexed Inputs/Outputs Provide Improved Bit Density
- Four Modes of Operation:  
Hold (Store)      Shift Left  
Shift Right      Load Data
- Operates with Outputs Enabled or at High Z
- 3-State Outputs Drive Bus Lines Directly
- Can Be Cascaded for N-Bit Word Lengths
- SN54LS323 and SN74LS323 Are Similar But Have Synchronous Clear
- Applications:  
Stacked or Push-Down Registers  
Buffer Storage, and  
Accumulator Registers

TYPE	GUARANTEED	TYPICAL
	SHIFT (CLOCK) FREQUENCY	POWER DISSIPATION
'LS299	25 MHz	175 mW
'S299	50 MHz	700 mW

SN54LS299, SN54S299 . . . J PACKAGE  
SN74LS299, SN74S299 . . . J OR N PACKAGE  
(TOP VIEW)



logic: see description and function table

## description

These Schottky<sup>†</sup> TTL eight-bit universal registers feature multiplexed inputs/outputs to achieve full eight-bit data handling in a single 20-pin package. Two function-select inputs and two output-control inputs can be used to choose the modes of operation listed in the function table.

Synchronous parallel loading is accomplished by taking both function-select lines, S0 and S1, high. This places the three-state outputs in a high-impedance state, which permits data that is applied on the input/output lines to be clocked into the register. Reading out of the register can be accomplished while the outputs are enabled in any mode. A direct overriding input is provided to clear the register whether the outputs are enabled or off.

FUNCTION TABLE

MODE	INPUTS						INPUTS/OUTPUTS								OUTPUTS			
	CLEAR	FUNCTION SELECT		OUTPUT CONTROL		CLOCK	SERIAL		A/OA	B/OB	C/OC	D/OD	E/OE	F/OF	G/OG	H/OH	QA'	QH'
		S1	S0	G1†	G2†		SL	SR										
Clear	L	X	L	L	L	↑	X	X	L	L	L	L	L	L	L	L	L	L
	L	L	X	L	L	↑	X	X	L	L	L	L	L	L	L	L	L	L
	L	H	H	X	X	↑	X	X	X	X	X	X	X	X	X	X	X	X
Hold	H	L	L	L	L	X	X	X	QA0	QB0	QC0	QD0	QE0	QF0	QG0	QH0	QA0	QH0
	H	X	X	L	L	L	X	X	QA0	QB0	QC0	QD0	QE0	QF0	QG0	QH0	QA0	QH0
Shift Right	H	L	H	L	L	↑	X	H	HA0	HBn	HCn	QDn	QEn	QFn	QGn	QHn	HA0	QHn
	H	L	H	L	L	↑	X	L	QA0	QBn	QCn	QDn	QEn	QFn	QGn	QHn	QA0	QHn
Shift Left	H	H	L	L	L	↑	H	X	QA0	QBn	QCn	QDn	QEn	QFn	QGn	QHn	HA0	QHn
	H	H	L	L	L	↑	L	X	QA0	QBn	QCn	QDn	QEn	QFn	QGn	QHn	LA0	QHn
Load	H	H	H	X	X	↑	X	X	a	b	c	d	e	f	g	h	a	h

†When one or both output controls are high the eight input/output terminals are disabled to the high-impedance state; however, sequential operation or clearing of the register is not affected.

a . . . h = the level of the steady-state input at inputs A through H, respectively. These data are loaded into the flip-flops while the flip-flop outputs are isolated from the input/output terminals. See explanation of function tables on page 3-8.

Copyright © 1980 by Texas Instruments Incorporated

TEXAS INSTRUMENTS  
INCORPORATED

POST OFFICE BOX 225012 • DALLAS, TEXAS 75265

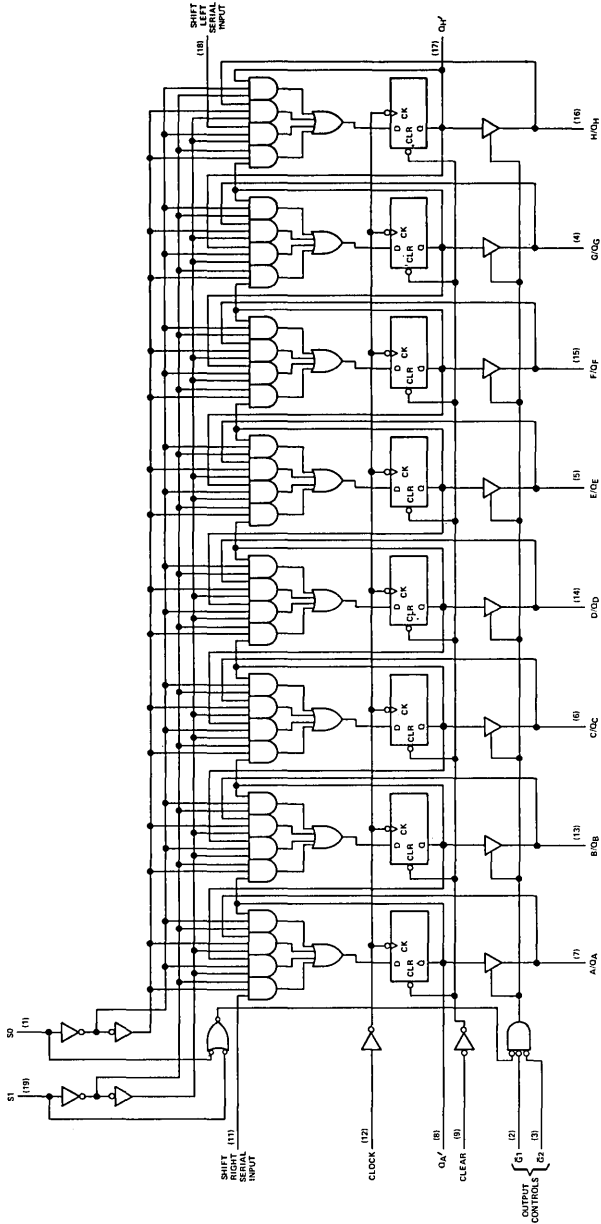
†Integrated Schottky-Barrier diode-clamped transistor is patented by Texas Instruments. U.S. Patent Number 3,463,975.

7-437

# TYPES SN54LS299, SN54S299, SN74LS299, SN74S299

## 8-BIT UNIVERSAL SHIFT/STORAGE REGISTERS

functional block diagram

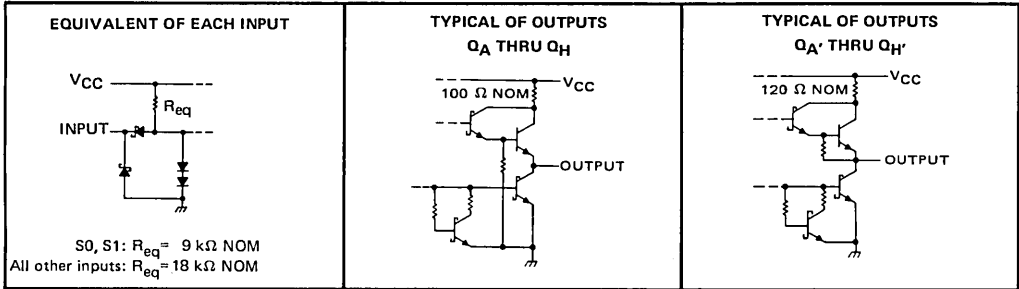


# TYPES SN54LS299, SN74LS299

## 8-BIT UNIVERSAL SHIFT/STORAGE REGISTERS

REVISED DECEMBER 1980

### schematics of inputs and outputs



### absolute maximum ratings over operating free-air temperature range (unless otherwise noted)

Supply voltage, $V_{CC}$ (see Note 1)	7 V
Input voltage	7 V
Off-state output voltage	5.5 V
Operating free-air temperature range: SN54LS299	$-55^{\circ}\text{C}$ to $125^{\circ}\text{C}$
SN74LS299	$0^{\circ}\text{C}$ to $70^{\circ}\text{C}$
Storage temperature	$-65^{\circ}\text{C}$ to $150^{\circ}\text{C}$

NOTE 1: Voltage values are with respect to network ground terminal.

### recommended operating conditions

		SN54LS299			SN74LS299			UNIT
		MIN	NOM	MAX	MIN	NOM	MAX	
Supply voltage, $V_{CC}$		4.5	5	5.5	4.75	5	5.25	V
High-level output current, $I_{OH}$	$Q_A$ thru $Q_H$			-1			-2.6	mA
	$Q_A'$ or $Q_H'$			-0.4			-0.4	
Low-level output current, $I_{OL}$	$Q_A$ thru $Q_H$			12			24	mA
	$Q_A'$ or $Q_H'$			4			8	
Clock frequency, $f_{clock}$		0		25	0		25	MHz
Width of clock pulse, $t_w(\text{clock})$	Clock high		30			30		ns
	Clock low		10			10		
Width of clear pulse, $t_w(\text{clear})$	Clear low		20			20		ns
Setup time, $t_{su}$	Select		35†			35†		ns
	High-level data <sup>◊</sup>		20†			20†		
	Low-level data <sup>◊</sup>		20†			20†		
	Clear inactive-state		20†			20†		
Hold time, $t_h$	Select		10†			10†		ns
	Data <sup>◊</sup>		0†			0†		
Operating free-air temperature, $T_A$		-55		125	0		70	$^{\circ}\text{C}$

<sup>◊</sup>Data includes the two serial inputs and the eight input/output data lines.

7



# TYPES SN54LS299, SN74LS299

## 8-BIT UNIVERSAL SHIFT/STORAGE REGISTERS

REVISED DECEMBER 1980

electrical characteristics over recommended operating free-air temperature range (unless otherwise noted)

PARAMETER		TEST CONDITIONS†		SN54LS299		SN74LS299		UNIT		
				MIN	TYP‡	MAX	MIN		TYP‡	MAX
V <sub>IH</sub>	High-level input voltage			2		2		V		
V <sub>IL</sub>	Low-level input voltage				0.7		0.8	V		
V <sub>IK</sub>	Input clamp voltage		V <sub>CC</sub> = MIN, I <sub>I</sub> = -18 mA		-1.5		-1.5	V		
V <sub>OH</sub>	High-level output voltage	Q <sub>A</sub> thru Q <sub>H</sub>	V <sub>CC</sub> = MIN, V <sub>IH</sub> = 2 V, V <sub>IL</sub> = V <sub>ILmax</sub> , I <sub>OH</sub> = MAX	2.4	3.2	2.4	3.1	V		
		Q <sub>A</sub> ' or Q <sub>H</sub> '		2.5	3.4	2.7	3.4			
V <sub>OL</sub>	Low-level output voltage	Q <sub>A</sub> thru Q <sub>H</sub>	V <sub>CC</sub> = MIN, V <sub>IH</sub> = 2 V, V <sub>IL</sub> = V <sub>ILmax</sub>	I <sub>OL</sub> = 12 mA	0.25	0.4	0.25	0.4	V	
				I <sub>OL</sub> = 24 mA			0.35	0.5		
		Q <sub>A</sub> ' or Q <sub>H</sub> '		I <sub>OL</sub> = 4 mA	0.25	0.4	0.25	0.4		
				I <sub>OL</sub> = 8 mA			0.35	0.5		
I <sub>OZH</sub>	Off-state output current, high-level voltage applied	Q <sub>A</sub> thru Q <sub>H</sub>	V <sub>CC</sub> = MAX, V <sub>O</sub> = 2.7 V, V <sub>IH</sub> = 2 V		40		40	μA		
I <sub>OZL</sub>	Off-state output current, low-level voltage applied	Q <sub>A</sub> thru Q <sub>H</sub>	V <sub>CC</sub> = MAX, V <sub>O</sub> = 0.4 V, V <sub>IH</sub> = 2 V		-400		-400	μA		
I <sub>I</sub>	Input current at maximum input voltage	S0, S1	V <sub>CC</sub> = MAX	V <sub>I</sub> = 7 V		200		200	μA	
		A thru H		V <sub>I</sub> = 5.5 V		100		100		
		Any other		V <sub>I</sub> = 7 V		100		100		
I <sub>IH</sub>	High-level input current	A thru H, S0, S1	V <sub>CC</sub> = MAX, V <sub>I</sub> = 2.7 V			40		40	μA	
		Any other				20		20		
I <sub>IL</sub>	Low-level input current	S0, S1	V <sub>CC</sub> = MAX, V <sub>I</sub> = 0.4 V			-0.8		-0.8	mA	
		Any other				-0.4		-0.4		
I <sub>OS</sub>	Short-circuit output current§	Q <sub>A</sub> thru Q <sub>H</sub>	V <sub>CC</sub> = MAX			-30		-130	mA	
		Q <sub>A</sub> ' or Q <sub>H</sub> '				-20		-100		
I <sub>CC</sub>	Supply current		V <sub>CC</sub> = MAX			33	53	33	53	mA

† For conditions shown as MIN or MAX, use the appropriate value specified under recommended operating conditions.

‡ All typical values are at V<sub>CC</sub> = 5 V, T<sub>A</sub> = 25°C.

§ Not more than one output should be shorted at a time and duration of the short-circuit should not exceed one second.

### switching characteristics, V<sub>CC</sub> = 5 V, T<sub>A</sub> = 25°C

PARAMETER¶	FROM (INPUT)	TO (OUTPUT)	TEST CONDITIONS	MIN	TYP	MAX	UNIT
f <sub>max</sub>			See Note 2	25	35		MHz
t <sub>PLH</sub>	Clock	Q <sub>A</sub> ' or Q <sub>H</sub> '	C <sub>L</sub> = 15 pF, R <sub>L</sub> = 2 kΩ, See Note 2		22	33	ns
t <sub>PHL</sub>					26	39	
t <sub>PHL</sub>	Clear	Q <sub>A</sub> ' or Q <sub>H</sub> '			27	40	ns
t <sub>PLH</sub>	Clock	Q <sub>A</sub> thru Q <sub>H</sub>	C <sub>L</sub> = 45 pF, R <sub>L</sub> = 665 Ω, See Note 2		17	25	ns
t <sub>PHL</sub>					26	39	
t <sub>PHL</sub>	Clear	Q <sub>A</sub> thru Q <sub>H</sub>			26	40	ns
t <sub>PZH</sub>	$\bar{G}1, \bar{G}2$	Q <sub>A</sub> thru Q <sub>H</sub>			13	21	ns
t <sub>PZL</sub>					19	30	
t <sub>PHZ</sub>	$\bar{G}1, \bar{G}2$	Q <sub>A</sub> thru Q <sub>H</sub>	C <sub>L</sub> = 5 pF, R <sub>L</sub> = 665 Ω, See Note 2		10	15	ns
t <sub>PLZ</sub>					10	15	

¶ f<sub>max</sub> ≡ maximum clock frequency

t<sub>PLH</sub> ≡ propagation delay time, low-to-high-level output.

t<sub>PHL</sub> ≡ propagation delay time, high-to-low-level output

t<sub>PZH</sub> ≡ output enable time to high level

t<sub>PZL</sub> ≡ output enable time to low level

t<sub>PHZ</sub> ≡ output disable time from high level

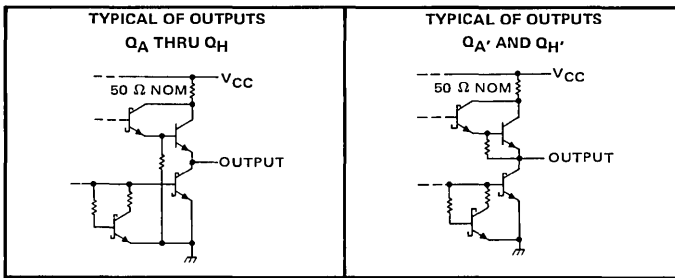
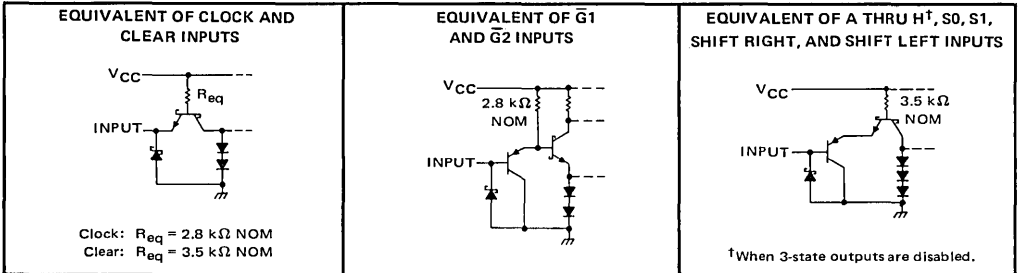
t<sub>PLZ</sub> ≡ output disable time from low level

NOTE 2: For testing f<sub>max</sub>, all outputs are loaded simultaneously, each with C<sub>L</sub> and R<sub>L</sub> as specified for the propagation times. See load circuits and waveforms on page 3-11.

# TYPES SN54S299, SN74S299

## 8-BIT UNIVERSAL SHIFT/STORAGE REGISTERS

### schematics of inputs and outputs



### absolute maximum ratings over operating free-air temperature range (unless otherwise noted)

Supply voltage, $V_{CC}$ (see Note 1)	7 V
Input voltage	5.5 V
Off-state output voltage	5.5 V
Operating free-air temperature range: SN54S299 (see Note 2)	-55°C to 125°C
SN74S299	0°C to 70°C
Storage temperature	-65°C to 150°C

NOTES 1: Voltage values are with respect to network ground terminal.

### recommended operating conditions

	SN54S299			SN74S299			UNIT	
	MIN	NOM	MAX	MIN	NOM	MAX		
Supply voltage, $V_{CC}$	4.5	5	5.5	4.75	5	5.25	V	
High-level output current, $I_{OH}$	$Q_A$ thru $Q_H$		-2				-6.5	mA
	$Q_{A'}$ or $Q_{H'}$		-0.5				-0.5	
Low-level output current, $I_{OL}$	$Q_A$ thru $Q_H$		20				20	mA
	$Q_{A'}$ or $Q_{H'}$		6				6	
Clock frequency, $f_{clock}$	0		50	0		50	MHz	
Width of clock pulse, $t_w(\text{clock})$	Clock high		10	10			ns	
	Clock low		10	10				
Width of clear pulse, $t_w(\text{clear})$	Clear low		10	10			ns	
	Select		15†	15†				
Setup time, $t_{su}$	High-level data <sup>◊</sup>		7†	7†			ns	
	Low-level data <sup>◊</sup>		5†	5†				
	Clear inactive-state		10†	10†				
	Select		5†	5†				
Hold time, $t_h$	Data <sup>◊</sup>		5†	5†			ns	
	Select		5†	5†				
Operating free-air temperature, $T_A$	-55		125	0		70	°C	

<sup>◊</sup>Data includes the two serial inputs and the eight input/output data lines.

# TYPES SN54S299, SN74S299

## 8-BIT UNIVERSAL SHIFT/STORAGE REGISTERS

REVISED DECEMBER 1980

electrical characteristics over recommended operating free-air temperature range (unless otherwise noted)

PARAMETER		TEST CONDITIONS <sup>†</sup>	MIN	TYP <sup>‡</sup>	MAX	UNIT	
V <sub>IH</sub>	High-level input voltage		2			V	
V <sub>IL</sub>	Low-level input voltage				0.8	V	
V <sub>IK</sub>	Input clamp voltage	V <sub>CC</sub> = MIN, I <sub>I</sub> = -18 mA			-1.2	V	
V <sub>OH</sub>	High-level output voltage	Q <sub>A</sub> thru Q <sub>H</sub>	V <sub>CC</sub> = MIN, V <sub>IH</sub> = 2 V,	2.4	3.2	V	
		Q <sub>A</sub> ' or Q <sub>H</sub> '	V <sub>IL</sub> = 0.8 V, I <sub>OH</sub> = MAX	2.7	3.4		
V <sub>OL</sub>	Low-level output voltage	V <sub>CC</sub> = MIN, V <sub>IH</sub> = 2 V, V <sub>IL</sub> = 0.8 V, I <sub>OL</sub> = MAX			0.5	V	
I <sub>OZH</sub>	Off-state output current, high-level voltage applied	Q <sub>A</sub> thru Q <sub>H</sub>	V <sub>CC</sub> = MAX, V <sub>IH</sub> = 2 V, V <sub>O</sub> = 2.4 V		100	μA	
I <sub>OZL</sub>	Off-state output current, low-level voltage applied	Q <sub>A</sub> thru Q <sub>H</sub>	V <sub>CC</sub> = MAX, V <sub>IH</sub> = 2 V, V <sub>O</sub> = 0.5 V		-250	μA	
I <sub>I</sub>	Input current at maximum input voltage	V <sub>CC</sub> = MAX, V <sub>I</sub> = 5.5 V		1		mA	
I <sub>IH</sub>	High-level input current	A thru H, S0, S1	V <sub>CC</sub> = MAX, V <sub>I</sub> = 2.7 V		100	μA	
		Any other			50		
I <sub>IL</sub>	Low-level input current	Clock or clear	V <sub>CC</sub> = MAX, V <sub>I</sub> = 0.5 V		-2	mA	
		S0, S1			-400		μA
		Any other			-250		
I <sub>OS</sub>	Short-circuit output current <sup>§</sup>	Q <sub>A</sub> thru Q <sub>H</sub>	V <sub>CC</sub> = MAX		-40	-100	mA
		Q <sub>A</sub> ' or Q <sub>H</sub> '			-20	-100	
I <sub>CC</sub>	Supply current	V <sub>CC</sub> = MAX		140	225	mA	

<sup>†</sup> For conditions shown as MIN or MAX, use the appropriate value specified under recommended operating conditions.

<sup>‡</sup> All typical values are at V<sub>CC</sub> = 5 V, T<sub>A</sub> = 25°C.

<sup>§</sup> Not more than one output should be shorted at a time and duration of the short-circuit should not exceed one second.

switching characteristics, V<sub>CC</sub> = 5 V, T<sub>A</sub> = 25°C

PARAMETER <sup>¶</sup>	FROM (INPUT)	TO (OUTPUT)	TEST CONDITIONS	MIN	TYP	MAX	UNIT
f <sub>max</sub>			See Note 2	50	70		MHz
t <sub>PLH</sub>	Clock	Q <sub>A</sub> ' or Q <sub>H</sub> '	C <sub>L</sub> = 15 pF, R <sub>L</sub> = 1 kΩ, See Note 2		12	20	ns
t <sub>PHL</sub>					13	20	
t <sub>PHL</sub>	Clear	Q <sub>A</sub> ' or Q <sub>H</sub> '	C <sub>L</sub> = 45 pF, R <sub>L</sub> = 280 Ω, See Note 2		14	21	ns
t <sub>PLH</sub>					15	21	
t <sub>PHL</sub>	Clock	Q <sub>A</sub> thru Q <sub>H</sub>	C <sub>L</sub> = 45 pF, R <sub>L</sub> = 280 Ω, See Note 2		15	21	ns
t <sub>PHL</sub>					16	24	
t <sub>PZH</sub>	G <sub>1</sub> , G <sub>2</sub>	Q <sub>A</sub> thru Q <sub>H</sub>	C <sub>L</sub> = 5 pF, R <sub>L</sub> = 280 Ω, See Note 3		10	18	ns
t <sub>PZL</sub>					12	18	
t <sub>PHZ</sub>	G <sub>1</sub> , G <sub>2</sub>	Q <sub>A</sub> thru Q <sub>H</sub>	C <sub>L</sub> = 5 pF, R <sub>L</sub> = 280 Ω, See Note 3		7	12	ns
t <sub>PLZ</sub>					7	12	

<sup>¶</sup> f<sub>max</sub> ≡ maximum clock frequency

t<sub>PLH</sub> ≡ propagation delay time, low-to-high-level output.

t<sub>PHL</sub> ≡ propagation delay time, high-to-low-level output

t<sub>PZH</sub> ≡ output enable time to high level

t<sub>PZL</sub> ≡ output enable time to low level

t<sub>PHZ</sub> ≡ output disable time from high level

t<sub>PLZ</sub> ≡ output disable time from low level

NOTE 3: For testing f<sub>max</sub>, all outputs are loaded simultaneously, each with C<sub>L</sub> and R<sub>L</sub> as specified for the propagation times. See load circuits and waveforms on page 3-10.

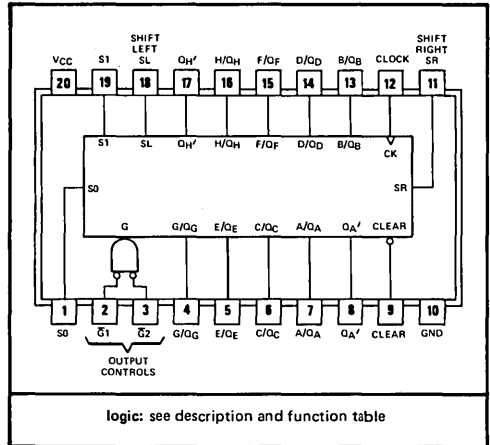
TTL  
LSI

# TYPES SN54LS323, SN74LS323 8-BIT UNIVERSAL SHIFT/STORAGE REGISTERS

BULLETIN NO. DL-S 12462, OCTOBER 1976 — REVISED DECEMBER 1980

- Multiplexed Inputs/Outputs Provide Improved Bit Density
- Four Modes of Operation:  
Hold (Store)      Shift Left  
Shift Right      Load Data
- Operates with Outputs Enabled or at High Z
- 3-State Outputs Drive Bus Lines Directly
- Can Be Cascaded for N-Bit Word Lengths
- Typical Power Dissipation . . . 175 mW
- Guaranteed Shift (Clock) Frequency . . . 25 MHz
- Applications:  
Stacked or Push-Down Registers,  
Buffer Storage, and  
Accumulator Registers
- SN54LS299 and SN74LS299 Are Similar  
But Have Direct Overriding Clear

SN54LS323 . . . J PACKAGE  
SN74LS323 . . . J OR N PACKAGE  
(TOP VIEW)



## description

These Low-Power Schottky† eight-bit universal registers feature multiplexed inputs/outputs to achieve full eight-bit data handling in a single 20-pin package. Two function-select inputs and two output-control inputs can be used to choose the modes of operation listed in the function table. Synchronous parallel loading is accomplished by taking both function-select lines, S0 and S1, high. This places the three-state outputs in a high-impedance state, which permits data that is applied on the input/output lines to be clocked into the register. Reading out of the register can be accomplished while the outputs are enabled in any mode. The clear function is synchronous, and a low level at the clear input clears the register on the next low-to-high transition of the clock.

FUNCTION TABLE

MODE	INPUTS					INPUTS/OUTPUTS								OUTPUTS				
	CLEAR	FUNCTION SELECT		OUTPUT CONTROL		CLOCK	SERIAL		A/OA	B/OB	C/OC	D/OD	E/OE	F/OF	G/OG	H/OH	QA'	QH'
		S1	S0	G1†	G2†		SL	SR										
Clear	L	X	L	L	L	↑	X	X	L	L	L	L	L	L	L	L	L	L
	L	L	X	L	L	↑	X	X	L	L	L	L	L	L	L	L	L	L
	L	H	H	X	X	↑	X	X	X	X	X	X	X	X	X	X	X	X
Hold	H	L	L	L	L	X	X	X	QA0	QB0	QC0	QD0	QE0	QF0	QG0	QH0	QA0	QH0
	H	X	X	L	L	L	X	X	QA0	QB0	QC0	QD0	QE0	QF0	QG0	QH0	QA0	QH0
Shift Right	H	L	H	L	L	↑	X	H	H	QA <sub>n</sub>	QB <sub>n</sub>	QC <sub>n</sub>	QD <sub>n</sub>	QE <sub>n</sub>	QF <sub>n</sub>	QG <sub>n</sub>	H	QH <sub>n</sub>
	H	L	H	L	L	↑	X	L	L	QA <sub>n</sub>	QB <sub>n</sub>	QC <sub>n</sub>	QD <sub>n</sub>	QE <sub>n</sub>	QF <sub>n</sub>	QG <sub>n</sub>	L	QH <sub>n</sub>
Shift Left	H	H	L	L	L	↑	H	X	QB <sub>n</sub>	QC <sub>n</sub>	QD <sub>n</sub>	QE <sub>n</sub>	QF <sub>n</sub>	QG <sub>n</sub>	QH <sub>n</sub>	H	QB <sub>n</sub>	H
	H	H	L	L	L	↑	L	X	QB <sub>n</sub>	QC <sub>n</sub>	QD <sub>n</sub>	QE <sub>n</sub>	QF <sub>n</sub>	QG <sub>n</sub>	QH <sub>n</sub>	L	QB <sub>n</sub>	L
Load	H	H	H	X	X	↑	X	X	a	b	c	d	e	f	g	h	a	h

†When one or both output controls are high the eight input/output terminals are disabled to the high-impedance state; however, sequential operation or clearing of the register is not affected.

a . . . h = the level of the steady-state input at inputs A through H, respectively. These data are loaded into the flip-flops while the flip-flop outputs are isolated from the input/output terminals. See explanation of function tables on page 3-8.

schematics of inputs and outputs, absolute maximum ratings, recommended operating conditions, and electrical characteristics

Same as SN54LS299 and SN74LS299, see page 7-439.

Copyright © 1980 by Texas Instruments Incorporated

TEXAS INSTRUMENTS  
INCORPORATED

POST OFFICE BOX 225012 • DALLAS, TEXAS 75265

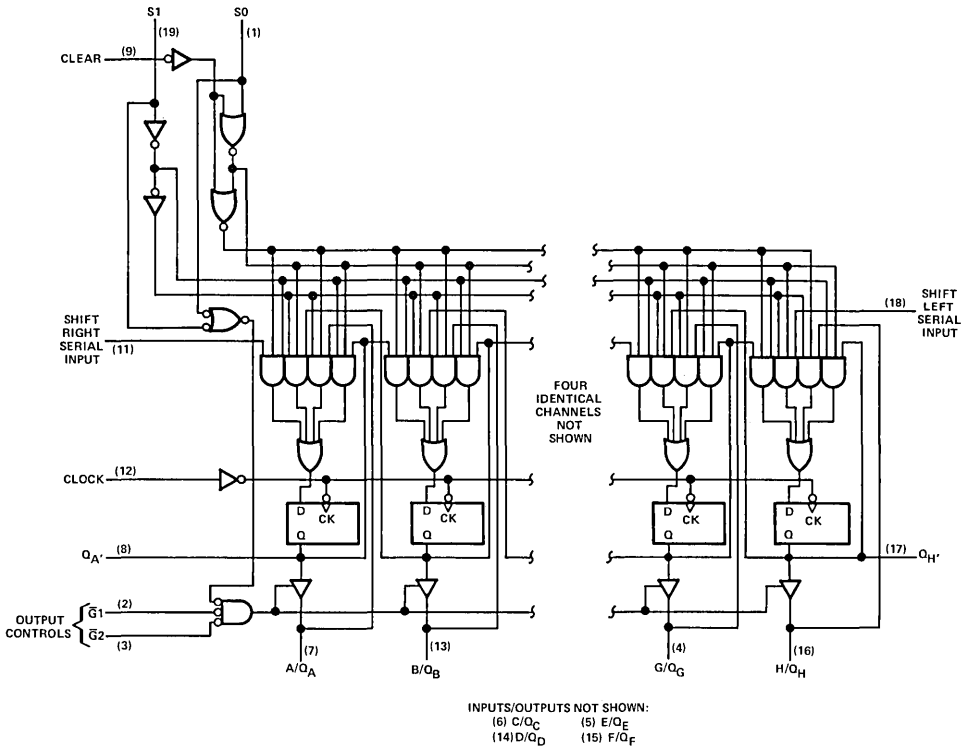
†Integrated Schottky-Barrier diode-clamped transistor is patented by Texas Instruments. U.S. Patent Number 3,463,975. 7-443

# TYPES SN54LS323, SN74LS323

## 8-BIT UNIVERSAL SHIFT/STORAGE REGISTERS

REVISED DECEMBER 1980

functional block diagram



switching characteristics,  $V_{CC} = 5\text{ V}$ ,  $T_A = 25^\circ\text{C}$

PARAMETER <sup>†</sup>	FROM (INPUT)	TO (OUTPUT)	TEST CONDITIONS	MIN	TYP	MAX	UNIT
$f_{max}$			See Note 1	25	35		MHz
$t_{PLH}$	Clock	$Q_A'$ or $Q_H'$	$C_L = 15\text{ pF}$ , $R_L = 2\text{ k}\Omega$ , See Note 1	22	33		ns
$t_{PHL}$				26	39		
$t_{PLH}$	Clock	$Q_A$ thru $Q_H$	$C_L = 45\text{ pF}$ , $R_L = 665\ \Omega$ , See Note 1	17	25		ns
$t_{PHL}$				25	39		
$t_{PZH}$	$\overline{G_1}$ , $\overline{G_2}$	$Q_A$ thru $Q_H$	See Note 1	14	21		ns
$t_{PZL}$				20	30		
$t_{PHZ}$	$\overline{G_1}$ , $\overline{G_2}$	$Q_A$ thru $Q_H$	$C_L = 5\text{ pF}$ , $R_L = 665\ \Omega$ , See Note 1	10	15		ns
$t_{PLZ}$				10	15		

<sup>†</sup> $f_{max}$  = maximum clock frequency  
 $t_{PLH}$  = propagation delay time, low-to-high-level output  
 $t_{PHL}$  = propagation delay time, high-to-low-level output  
 $t_{PZH}$  = output enable time to high level  
 $t_{PZL}$  = output enable time to low level  
 $t_{PHZ}$  = output disable time from high level  
 $t_{PLZ}$  = output disable time from low level

NOTE 1: For testing  $f_{max}$ , all outputs are loaded simultaneously, each with  $C_L$  and  $R_L$  as specified for the propagation times. See load circuits and waveforms on page 1-15.

# TYPES SN74S340, SN74S341, SN74S344 OCTAL BUFFERS AND LINE DRIVERS WITH 3-STATE OUTPUTS

BULLETIN NO. DL-S 12710, JUNE 1979 — REVISED AUGUST 1979

	I <sub>OL</sub> Typical (Sink Current)	I <sub>OH</sub> Typical (Source Current)	Typical Propagation Delay Times	Typical Enable Times	Typical Disable Times
'S340	64 mA	15 mA	8 ns	17 ns	11 ns
'S341	64 mA	15 mA	9 ns	14 ns	16 ns
'S344	64 mA	15 mA	9 ns	14 ns	14 ns

- Pin-for-Pin Compatible With SN74S240 Series
- 3-State Outputs Drive Bus Lines or Buffer Memory Address Registers
- Typical Input and Output Capacitances, ≤ 10 pF
- 300 mV Guaranteed Hysteresis at Inputs Improves Noise Margins

**description**

These octal buffers and line drivers are designed specifically to improve both the performance and density of three-state memory address drivers, clock drivers, and bus-oriented receivers and transmitters. The designer has a choice of selected combinations of inverting and noninverting outputs, symmetrical  $\bar{G}$  (active-low output control) inputs, and complementary  $G$  and  $\bar{G}$  inputs. These devices feature high fan-out, improved fan-in, 700-mV typical noise margin, and the capability of driving lines with terminations as low as 133 ohms.

SN74S340 FUNCTION TABLE

$\bar{1G}$	$2\bar{G}$	1Y OUTPUTS	2Y OUTPUTS
H	H	Z	Z
H	L	Z	Enabled (Inverting)
L	H	Enabled (Inverting)	Z
L	L	Enabled (Inverting)	Enabled (Inverting)

SN74S341 FUNCTION TABLE

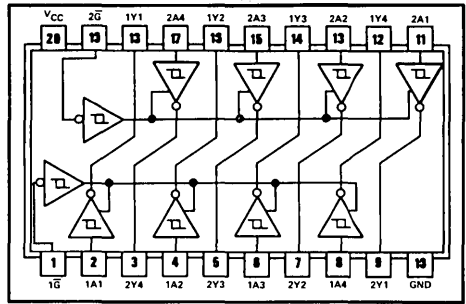
$\bar{1G}$	$2G$	1Y OUTPUTS	2Y OUTPUTS
H	H	Z	Enabled
H	L	Z	Z
L	H	Enabled	Enabled
L	L	Enabled	Z

SN74S344 FUNCTION TABLE

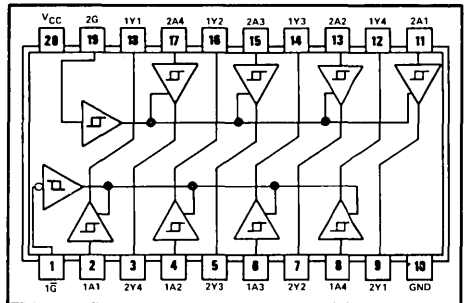
$\bar{1G}$	$2\bar{G}$	1Y OUTPUTS	2Y OUTPUTS
H	H	Z	Z
H	L	Z	Enabled
L	H	Enabled	Z
L	L	Enabled	Enabled

Z ≡ high impedance (output off)

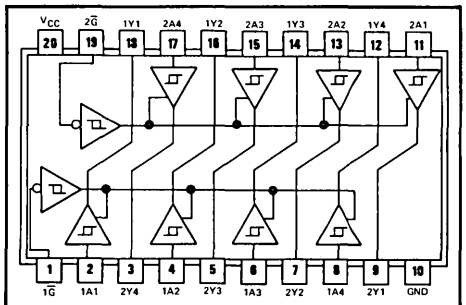
SN74S340 ... J OR N PACKAGE  
(TOP VIEW)



SN74S341 ... J OR N PACKAGE  
(TOP VIEW)



SN74S344 ... J OR N PACKAGE  
(TOP VIEW)



Copyright © 1979 by Texas Instruments Incorporated



# TYPES SN74S340, SN74S341, SN74S344

## OCTAL BUFFERS AND LINE DRIVERS WITH 3-STATE OUTPUTS

electrical characteristics over recommended operating conditions (unless otherwise noted)

PARAMETER	TEST CONDITIONS†	SN74S340			SN74S341, SN74S344			UNIT		
		MIN	TYP‡	MAX	MIN	TYP‡	MAX			
$V_{T+}$ Positive-going threshold voltage		1.3	1.5	1.9	1.3	1.5	1.9	V		
$V_{T-}$ Negative-going threshold voltage		0.6	0.85	1.05	0.6	0.85	1.05	V		
Hysteresis ( $V_{T+} - V_{T-}$ )		0.3	0.65		0.3	0.65		V		
$V_{IK}$ Input clamp voltage	$V_{CC} = \text{MIN}, I_I = -18 \text{ mA}$			-1.2			-1.2	V		
$V_{OH}$ High-level output voltage	$V_{CC} = \text{MIN}, V_{IH} = 2 \text{ V}, V_{IL} = 0.5 \text{ V}, I_{OH} = -1 \text{ mA}$			2.4			2.4	V		
	$V_{CC} = \text{MIN}, V_{IH} = 2 \text{ V}, V_{IL} = 0.5 \text{ V}, I_{OH} = -3 \text{ mA}$		3.4			3.4				
	$V_{CC} = \text{MIN}, V_{IH} = 2 \text{ V}, V_{IL} = 0.5 \text{ V}, I_{OH} = \text{MAX}$		2			2				
$V_{OL}$ Low-level output voltage	$V_{CC} = \text{MIN}, V_{IH} = 2 \text{ V}, V_{IL} = 0.5 \text{ V}, I_{OL} = \text{MAX}$			0.55			0.55	V		
$I_{OZH}$ Off-state output current, high-level voltage applied	$V_{CC} = \text{MAX}, V_{IH} = 2 \text{ V}, V_{IL} = 0 \text{ V}$			$V_O = 2.4 \text{ V}$			50	$\mu\text{A}$		
$I_{OZL}$ Off-state output current, low-level voltage applied				$V_O = 0.5 \text{ V}$			-50			
$I_I$ Input current at maximum input voltage	$V_{CC} = \text{MAX}, V_I = 5.5 \text{ V}$						1	mA		
$I_{IH}$ High-level input current, any input	$V_{CC} = \text{MAX}, V_I = 2.7 \text{ V}$						50	$\mu\text{A}$		
$I_{IL}$ Low-level input current	Any A						-250	$\mu\text{A}$		
	Any G or G						-250	$\mu\text{A}$		
$I_{OS}$ Short-circuit output current*	$V_{CC} = \text{MAX}$						-50	-225	mA	
$I_{CC}$ Supply current	$V_{CC} = \text{MAX},$ Outputs open	Outputs high						75	135	mA
		Outputs low						170	180	
		Outputs disabled						110	145	

† For conditions shown as MIN or MAX, use the appropriate value specified under recommended operating conditions.

‡ All typical values are at  $V_{CC} = 5 \text{ V}, T_A = 25^\circ\text{C}$ .

\* Not more than one output should be shorted at a time, and duration of the short-circuit should not exceed one second.

switching characteristics,  $V_{CC} = 5 \text{ V}, T_A = 25^\circ\text{C}$

PARAMETER	TEST CONDITIONS	SN74S340			SN74S341			SN74S344			UNIT	
		MIN	TYP	MAX	MIN	TYP	MAX	MIN	TYP	MAX		
$t_{PLH}$	$C_L = 50 \text{ pF}, R_L = 90 \Omega,$ See Note 2		7	11		10	15		10	15	ns	
$t_{PHL}$			8	12		8	12		8	12	ns	
$t_{PZL}$				17	25		14	21		14	21	ns
$t_{PZH}$	$C_L = 5 \text{ pF}, R_L = 90 \Omega,$ See Note 2		11	16		11	17		11	17	ns	
$t_{PLZ}$				11	17		16	25		14	23	ns
$t_{PHZ}$				5	9		8	13		5	9	ns

NOTE 2: Load circuit and voltage waveforms are shown on page 3-10.

$t_{PLH}$   $\equiv$  Propagation delay time, low-to-high-level input

$t_{PHL}$   $\equiv$  Propagation delay time, high-to-low-level input

$t_{PZL}$   $\equiv$  Output enable time to low level

$t_{PZH}$   $\equiv$  Output enable time to high level

$t_{PLZ}$   $\equiv$  Output disable time from low level

$t_{PHZ}$   $\equiv$  Output disable time from high level



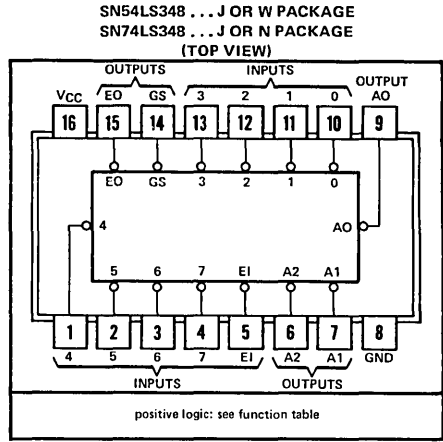
# TYPES SN54LS348, SN74LS348 (TIM9908) 8-LINE-TO-3-LINE PRIORITY ENCODERS WITH 3-STATE OUTPUTS

BULLETIN NO. DL-S 7712469, OCTOBER 1976—REVISED AUGUST 1977

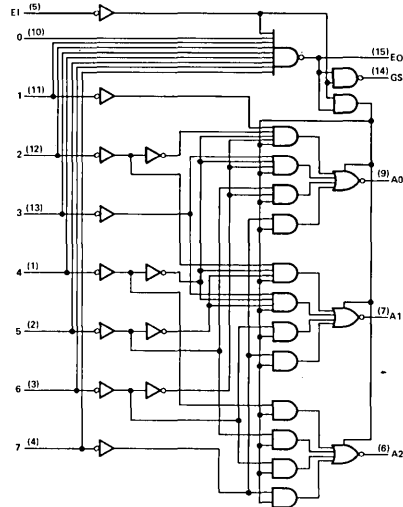
- 3-State Outputs Drive Bus Lines Directly
- Encodes 8 Data Lines to 3-Line Binary (Octal)
- Applications Include:  
N-Bit Encoding  
Code Converters and Generators
- Typical Data Delay . . . 15 ns
- Typical Power Dissipation . . . 60 mW

**description**

These TTL encoders feature priority decoding of the inputs to ensure that only the highest-order data line is encoded. The 'LS348 circuits encode eight data lines to three-line (4-2-1) binary (octal). Cascading circuitry (enable input EI and enable output EO) has been provided to allow octal expansion. Outputs A0, A1, and A2 are implemented in three-state logic for easy expansion up to 64 lines without the need for external circuitry. See Typical Application Data.



**functional block diagram**

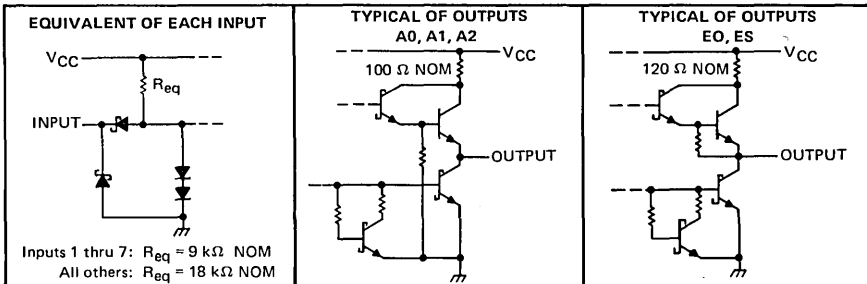


**FUNCTION TABLE**

EI	INPUTS								OUTPUTS				
	0	1	2	3	4	5	6	7	A2	A1	A0	GS	EO
H	X	X	X	X	X	X	X	X	Z	Z	Z	H	H
L	H	H	H	H	H	H	H	H	Z	Z	Z	H	L
L	X	X	X	X	X	X	X	L	L	L	L	L	H
L	X	X	X	X	X	X	L	H	L	L	H	L	H
L	X	X	X	X	L	H	H	H	L	H	L	L	H
L	X	X	X	L	H	H	H	H	L	H	L	L	H
L	X	X	L	H	H	H	H	H	H	L	H	L	H
L	X	L	H	H	H	H	H	H	H	L	L	L	H
L	L	H	H	H	H	H	H	H	H	H	L	L	H

H = high logic level, L = low logic level, X = irrelevant  
Z = high-impedance state

**schematic of inputs and outputs**



# TYPES SN54LS348, SN74LS348 (TIM9908)

## 8-LINE-TO-3-LINE PRIORITY ENCODERS WITH 3-STATE OUTPUTS

REVISED AUGUST 1977

absolute maximum ratings over operating free-air temperature range (unless otherwise noted)

Supply voltage, $V_{CC}$ (see Note 1)	7 V
Input voltage	7 V
Operating free-air temperature range: SN54LS348	-55°C to 125°C
SN74LS348	0°C to 70°C
Storage temperature range	-65°C to 150°C

NOTE 1: Voltage values are with respect to network ground terminal.

recommended operating conditions

		SN54LS348			SN74LS348			UNIT		
		MIN	NOM	MAX	MIN	NOM	MAX			
Supply voltage, $V_{CC}$		4.5	5	5.5	4.75	5	5.25	V		
High-level output current, $I_{OH}$	A0, A1, A2				-1			-2.6	mA	
	EO, GS				-400			-400	$\mu$ A	
Low-level output current, $I_{OL}$	A0, A1, A2				12			24	mA	
	EO, GS				4			8	mA	
Operating free-air temperature, $T_A$		-55			125			0	70	°C

electrical characteristics over recommended operating free-air temperature range (unless otherwise noted)

PARAMETER		TEST CONDITIONS†		SN54LS348		SN74LS348		UNIT	
				MIN	TYP‡	MAX	MIN		TYP‡
$V_{IH}$	High-level input voltage			2		2		V	
$V_{IL}$	Low-level input voltage			0.7		0.8		V	
$V_{IK}$	Input clamp voltage	$V_{CC} = \text{MIN}, I_I = -18 \text{ mA}$		-1.5		-1.5		V	
$V_{OH}$	High-level output voltage	A0, A1, A2	$V_{CC} = \text{MIN}, V_{IH} = 2 \text{ V}, I_{OH} = -1 \text{ mA}$	2.4	3.1			V	
		EO, GS	$V_{IL} = V_{ILmax}, I_{OH} = -2.6 \text{ mA}$			2.4	3.1		
$V_{OL}$	Low-level output voltage	A0, A1, A2	$V_{CC} = \text{MIN}, V_{IH} = 2 \text{ V}, V_{IL} = V_{ILmax}, I_{OL} = 12 \text{ mA}$	0.25	0.4	0.25	0.4	V	
		EO, GS	$I_{OL} = 24 \text{ mA}$			0.35	0.5		
$I_{OZ}$	Off-State (high-impedance state) output current	A0, A1, A2	$V_{CC} = \text{MAX}, V_{IH} = 2 \text{ V}, V_O = 2.7 \text{ V}$	20		20		$\mu$ A	
			$V_O = 0.4 \text{ V}$	-20		-20			
$I_I$	Input current at maximum input voltage	Inputs 1 thru 7	$V_{CC} = \text{MAX}, V_I = 7 \text{ V}$	0.2		0.2		mA	
		All other inputs		0.1		0.1			
$I_{IH}$	High-level input current	Inputs 1 thru 7	$V_{CC} = \text{MAX}, V_I = 2.7 \text{ V}$	40		40		$\mu$ A	
		All other inputs		20		20			
$I_{IL}$	Low-level input current	Inputs 1 thru 7	$V_{CC} = \text{MAX}, V_I = 0.4 \text{ V}$	-0.8		-0.8		mA	
		All other inputs		-0.4		-0.4			
$I_{OS}$	Short-circuit output current §	Outputs A0, A1, A2	$V_{CC} = \text{MAX}$	-30	-130	-30	-130	mA	
		Outputs EO, GS		-20	-100	-20	-100		
$I_{CC}$	Supply current		$V_{CC} = \text{MAX},$ See Note 2	Condition 1	13	25	13	25	mA
				Condition 2	12	23	12	23	

NOTE 2:  $I_{CC}$  (condition 1) is measured with inputs 7 and E1 grounded, other inputs and outputs open.  $I_{CC}$  (condition 2) is measured with all inputs and outputs open.

† For conditions shown as MIN or MAX, use the appropriate value specified under recommended operating conditions.

‡ All typical values are at  $V_{CC} = 5 \text{ V}, T_A = 25^\circ \text{C}$ .

§ Not more than one output should be shorted at a time.

7

# TYPES SN54LS348, SN74LS348 (TIM9908)

## 8-LINE-TO-3-LINE PRIORITY ENCODERS WITH 3-STATE OUTPUTS

REVISED JANUARY 1981

switching characteristics,  $V_{CC} = 5\text{ V}$ ,  $T_A = 25^\circ\text{C}$

PARAMETER <sup>†</sup>	FROM (INPUT)	TO (OUTPUT)	WAVEFORM	TEST CONDITIONS	MIN	TYP	MAX	UNIT
$t_{PLH}$	1 thru 7	A0, A1, or A2	In-phase output	$C_L = 45\text{ pF}$ , $R_L = 667\ \Omega$ , See Note 3	11	17	ns	
$t_{PHL}$					20	30		
$t_{PLH}$	1 thru 7	A0, A1, or A2	Out-of-phase output		23	35	ns	
$t_{PHL}$					23	35		
$t_{PZH}$	EI	A0, A1, or A2			25	39	ns	
$t_{PZL}$					24	41		
$t_{PLH}$	0 thru 7	EO	Out-of-phase output	$C_L = 15\text{ pF}$ , $R_L = 2\text{ k}\Omega$ , See Note 3	11	18	ns	
$t_{PHL}$					26	40		
$t_{PLH}$	0 thru 7	GS	In-phase output		38	55	ns	
$t_{PHL}$					9	21		
$t_{PLH}$	EI	GS	In-phase output		11	17	ns	
$t_{PHL}$					14	36		
$t_{PLH}$	EI	EO	In-phase output	17	21	ns		
$t_{PHL}$				25	40			
$t_{PHZ}$	EI	A0, A1, or A2		$C_L = 5\text{ pF}$	18	27	ns	
$t_{PLZ}$				$R_L = 667\ \Omega$	23	35		

- <sup>†</sup> $t_{PLH}$  = propagation delay time, low-to-high-level output
- $t_{PHL}$  = propagation delay time, high-to-low-level output
- $t_{PZH}$  = output enable time to high level
- $t_{PZL}$  = output enable time to low level
- $t_{PHZ}$  = output disable time from high level
- $t_{PLZ}$  = output disable time from low level

NOTE 3: Load circuits and waveforms are shown on page 3-11.

### TYPICAL APPLICATION DATA

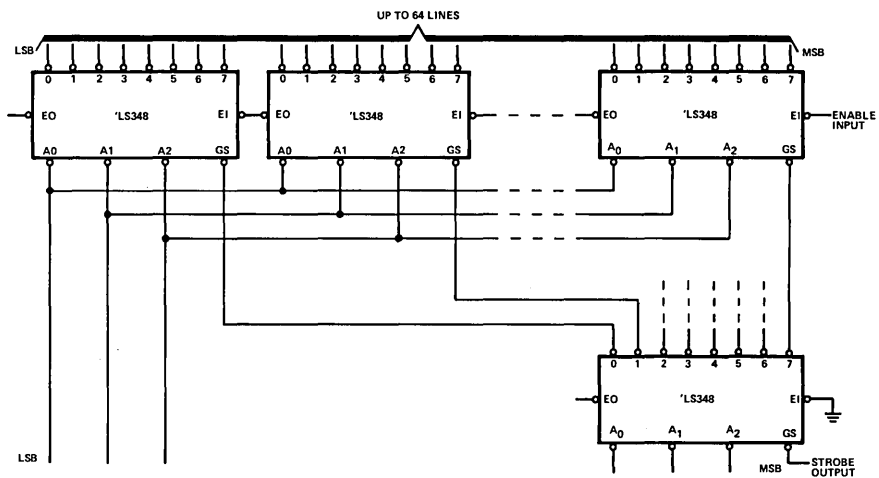


FIGURE 1—PRIORITY ENCODER WITH UP TO 64 INPUTS.

TTL  
MSI

# TYPE SN74351 DUAL DATA SELECTOR/MULTIPLEXER WITH 3-STATE OUTPUTS

BULLETIN NO. DL-S 7712116, MARCH 1974—REVISED AUGUST 1977

- Dual 8-Line-to-1-Line Multiplexer That Can Replace Two SN54151, SN74151 Multiplexers in Some Applications
- Four Common Data Lines Permit Simultaneous Interdigitation with Parallel-to-Serial Conversion
- 4-Bit Organization Is Easily Adapted to Handle Binary or BCD
- Three-State Outputs Can Be Connected Directly to System Bus Lines
- Enable Input Controls Impedance Levels of the 12 Data Inputs and Two Outputs

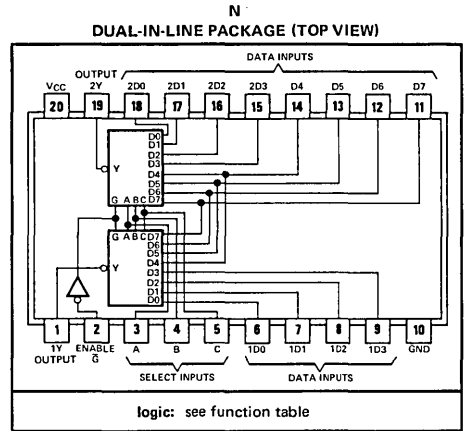
### description

The SN74351 comprises two 8-line-to-1-line data selectors/multiplexers with full decoding on one monolithic chip. Symmetrically switching, complementary decode generators minimize decoder skew during changes at the select inputs and ensure that potentially erroneous effects are minimized at the data outputs. Four data inputs are exclusive to each multiplexer and four are common to both. A common enable input is provided which, when high, causes both outputs to assume the high-impedance (off) state and simultaneously diverts the majority of the input current, which reduces the load significantly on the data input drivers. A low logic level at the enable input activates both outputs so that each will assume the complement of the level of the selected input.

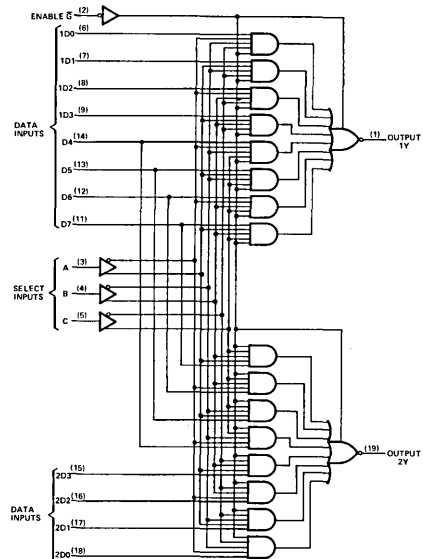
FUNCTION TABLE

INPUTS		OUTPUTS	
ENABLE	SELECT	1Y	2Y
$\bar{G}$	C B A	$\overline{1D0}$	$\overline{2D0}$
H	X X X	Z	Z
L	L L L	$\overline{1D0}$	$\overline{2D0}$
L	L L H	$\overline{1D1}$	$\overline{2D1}$
L	L H L	$\overline{1D2}$	$\overline{2D2}$
L	L H H	$\overline{1D3}$	$\overline{2D3}$
L	H L L	$\overline{D4}$	$\overline{D4}$
L	H L H	$\overline{D5}$	$\overline{D5}$
L	H H L	$\overline{D6}$	$\overline{D6}$
L	H H H	$\overline{D7}$	$\overline{D7}$

H = high level, L = low level, X = irrelevant  
Z = high impedance (off)  
 $\overline{1D0}$ ,  $\overline{1D1}$ , ...  $\overline{D7}$  = The complement of the level of the respective D input



### functional block diagram

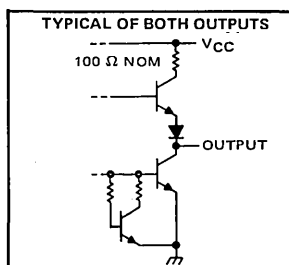
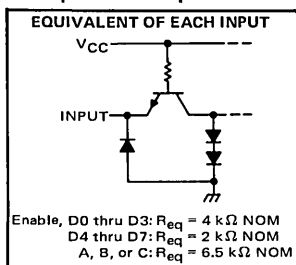


# TYPE SN74351

## DUAL DATA SELECTOR/MULTIPLEXER WITH 3-STATE OUTPUTS

REVISED OCTOBER 1976

### schematics of inputs and outputs



### absolute maximum ratings over operating free-air temperature range (unless otherwise noted)

Supply voltage, $V_{CC}$ (see Note 1)	7 V
Input voltage	5.5 V
Operating free-air temperature range	0°C to 70°C
Storage temperature range	-65°C to 150°C

NOTE 1: Voltage values are with respect to network ground terminal.

### recommended operating conditions

	MIN	NOM	MAX	UNIT
Supply voltage, $V_{CC}$	4.75	5	5.25	V
High-level output current, $I_{OH}$			-0.8	mA
Low-level output current, $I_{OL}$			16	mA
Operating free-air temperature, $T_A$	0		70	°C

### electrical characteristics over recommended operating free-air temperature range (unless otherwise noted)

PARAMETER		TEST CONDITIONS	MIN	TYP <sup>†</sup>	MAX	UNIT
$V_{IH}$	High-level input voltage		2			V
$V_{IL}$	Low-level input voltage				0.8	V
$V_{IK}$	Input clamp voltage	$V_{CC} = \text{MIN}, I_I = -12 \text{ mA}$			-1.5	V
$V_{OH}$	High-level output voltage	$V_{CC} = \text{MIN}, V_{IH} = 2 \text{ V}, V_{IL} = 0.8 \text{ V}, I_{OH} = -0.8 \text{ mA}$	2.4	3.4		V
$V_{OL}$	Low-level output voltage	$V_{CC} = \text{MIN}, V_{IH} = 2 \text{ V}, V_{IL} = 0.8 \text{ V}, I_{OL} = 16 \text{ mA}$		0.2	0.4	V
$I_{OZH}$	Off-state output current, high-level voltage applied	$V_{CC} = \text{MAX}, V_{IH} = 2 \text{ V}, V_O = 2.4 \text{ V}$			40	μA
$I_{OZL}$	Off state output current, low level voltage applied	$V_{CC} = \text{MAX}, V_{IH} = 2 \text{ V}, V_O = 0.4 \text{ V}$			-40	μA
$I_I$	Input current at maximum input voltage	$V_{CC} = \text{MAX}, V_I = 5.5 \text{ V}$			1	mA
$I_{IH}$	High-level input current	Enable, any select, any D0 thru D3	$V_{CC} = \text{MAX}, V_I = 2.4 \text{ V}$		40	μA
		D4 thru D7			80	
$I_{IL}$	Low-level input current	Enable, any select, any D0 thru D3	$V_{CC} = \text{MAX}, V_I = 0.4 \text{ V}$		-1.6	mA
		D4 thru D7			-3.2	
		Any D			-40	
$I_{OS}$	Short-circuit output current <sup>§</sup>	$V_{CC} = \text{MAX}$	-18		-55	mA
$I_{CC}$	Supply current	$V_{CC} = \text{MAX},$ See Note 2		44	66	mA

<sup>†</sup>For conditions shown as MIN or MAX, use the appropriate value specified under recommended operating conditions.

<sup>‡</sup>All typical values are at  $V_{CC} = 5 \text{ V}, T_A = 25^\circ \text{C}$ .

<sup>§</sup>Not more than one output should be shorted at a time.

NOTE 2:  $I_{CC}$  is measured with the enable input grounded, other inputs and both outputs open.

DUAL DATA SELECTOR/MULTIPLEXER WITH 3-STATE OUTPUTS

REVISED AUGUST 1977

switching characteristics,  $V_{CC} = 5\text{ V}$ ,  $T_A = 25^\circ\text{C}$

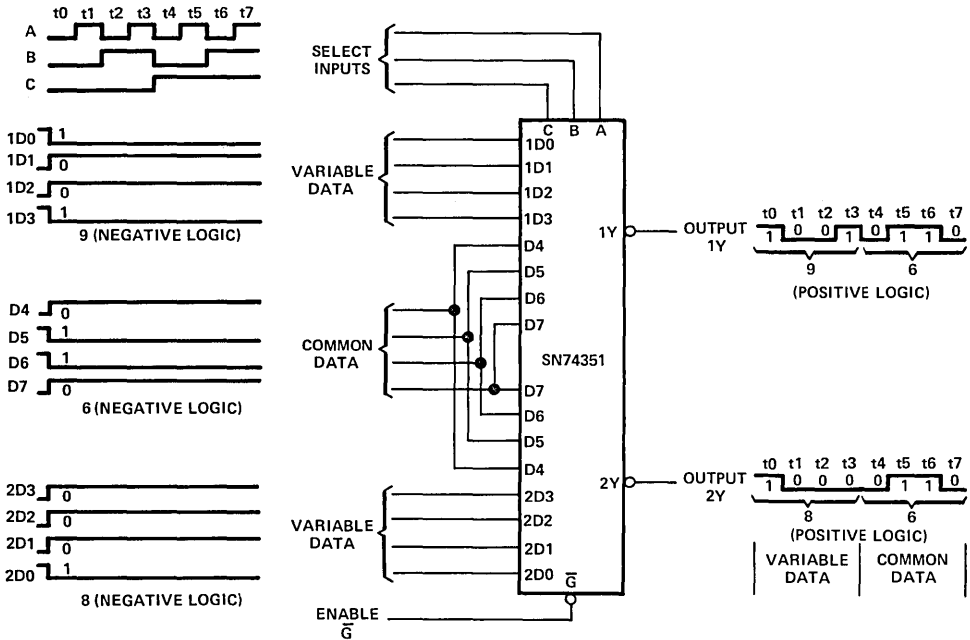
PARAMETER†	FROM (INPUT)	TO (OUTPUT)	TEST CONDITIONS	MIN	TYP	MAX	UNIT
$t_{PLH}$	A, B, or C	Y	$C_L = 50\text{ pF}$ , $R_L = 400\ \Omega$ , See Note 3		20	30	ns
$t_{PHL}$					20	30	
$t_{PLH}$	Any D	Y			10	22	ns
$t_{PHL}$					10	22	
$t_{ZH}$	$\bar{G}$	Y			18	33	ns
$t_{ZL}$					20	33	
$t_{HZ}$	$\bar{G}$	Y	$C_L = 5\text{ pF}$ , $R_L = 400\ \Omega$ , See Note 3		6	20	ns
$t_{LZ}$					10	20	

† $t_{PLH}$  = propagation delay time, low-to-high-level output  
 † $t_{PHL}$  = propagation delay time, high-to-low-level output  
 $t_{ZH}$  = output enable time to high level  
 $t_{ZL}$  = output enable time to low level  
 $t_{HZ}$  = output disable time from high level  
 $t_{LZ}$  = output disable time from low level

NOTE 3: Load circuit and voltage waveforms are shown on page 3-10.

TYPICAL APPLICATION DATA

This application illustrates how common data can be interdigitated onto two serial data lines. It is useful for transmitting prefixes, suffixes, addresses, or similar functions.



PRINTED IN U.S.A.

TI cannot assume any responsibility for any circuits shown or represent that they are free from patent infringement.

TEXAS INSTRUMENTS RESERVES THE RIGHT TO MAKE CHANGES AT ANY TIME IN ORDER TO IMPROVE DESIGN AND TO SUPPLY THE BEST PRODUCT POSSIBLE.

TEXAS INSTRUMENTS  
INCORPORATED  
POST OFFICE BOX 5012 • DALLAS, TEXAS 75222

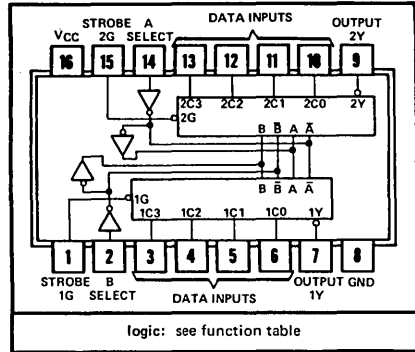
TTL  
MSI

# TYPES SN54LS352, SN74LS352 DUAL 4-LINE-TO-1-LINE DATA SELECTORS/MULTIPLEXERS

BULLETIN NO. DL-S 7612463, OCTOBER 1976

- Inverting Versions of SN54LS153, SN74LS153
- Schottky-Diode-Clamped Transistors
- Permits Multiplexing from N lines to 1 line
- Performs Parallel-to-Serial Conversion
- Typical Average Propagation Delay Times:  
Data Input to Output . . . 15 ns  
Strobe Input to Output . . . 19 ns  
Select Input to Output . . . 22 ns
- Fully Compatible with most TTL and DTL Circuits
- Low Power Dissipation . . . 31 mW Typical (Enabled)
- Inverted Data

SN54LS352 . . . J OR W PACKAGE  
SN74LS352 . . . J OR N PACKAGE  
(TOP VIEW)



FUNCTION TABLE

SELECT INPUTS		DATA INPUTS				STROBE	OUTPUT
B	A	C0	C1	C2	C3	G	Y
X	X	X	X	X	X	H	H
L	L	L	X	X	X	L	H
L	L	H	X	X	X	L	L
L	H	X	L	X	X	L	H
L	H	X	H	X	X	L	L
H	L	X	X	L	X	L	H
H	L	X	X	H	X	L	L
H	H	X	X	X	L	L	H
H	H	X	X	X	H	L	L

Select inputs A and B are common to both sections.  
H = high level, L = low level, X = irrelevant

## description

Each of these Schottky-clamped data selectors/multiplexers contains inverters and drivers to supply fully complementary, on-chip, binary decoding data selection to the AND-OR-invert gates. Separate strobe inputs are provided for each of the two four-line sections.

## absolute maximum ratings over operating free-air temperature range (unless otherwise noted)

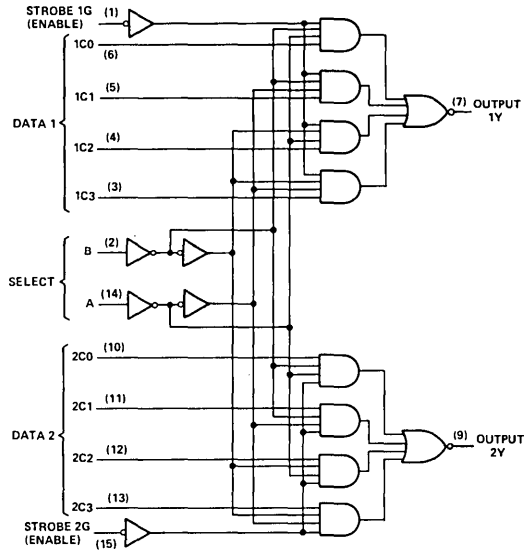
Supply voltage, $V_{CC}$ (see Note 1)	7 V
Input voltage	7 V
Operating free-air temperature range: SN54LS352	-55°C to 125°C
SN74LS352	0°C to 70°C
Storage temperature range	-65°C to 150°C

NOTE 1: Voltage values are with respect to network ground terminal.

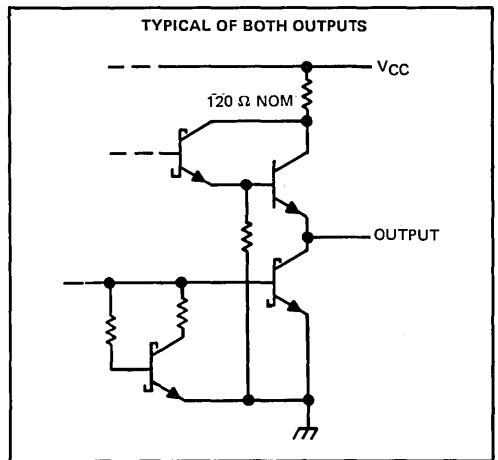
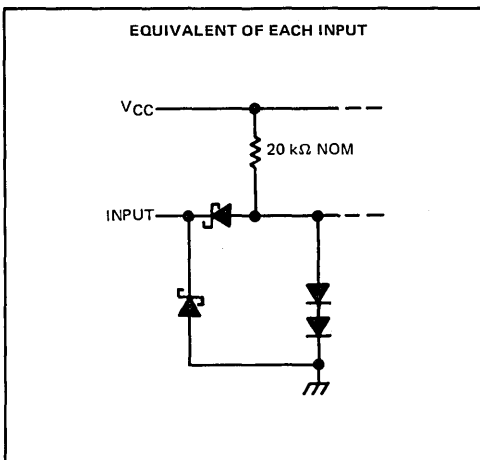
# TYPES SN54LS352, SN74LS352

## DUAL 4-LINE-TO-1-LINE DATA SELECTORS/MULTIPLEXERS

functional block diagram



schematics of inputs and outputs



7



# TYPES SN54LS352, SN74LS352

## DUAL 4-LINE-TO-1-LINE DATA SELECTORS/MULTIPLEXERS

### recommended operating conditions

	SN54LS352			SN74LS352			UNIT
	MIN	NOM	MAX	MIN	NOM	MAX	
Supply voltage, $V_{CC}$	4.5	5	5.5	4.75	5	5.25	V
High-level output current, $I_{OH}$	-400			-400			$\mu$ A
Low-level output current, $I_{OL}$	4			8			mA
Operating free-air temperature, $T_A$	-55			125			0 70 °C

### electrical characteristics over recommended operating free-air temperature range (unless otherwise noted)

PARAMETER	TEST CONDITIONS†	SN54LS352		SN74LS352		UNIT
		MIN	TYP‡	MAX	MIN	
$V_{IH}$ High-level input voltage		2		2		V
$V_{IL}$ Low-level input voltage			0.7		0.8	V
$V_{IK}$ Input clamp voltage	$V_{CC} = \text{MIN}, I_I = -18 \text{ mA}$		-1.5		-1.5	V
$V_{OH}$ High-level output voltage	$V_{CC} = \text{MIN}, V_{IH} = 2 \text{ V}, V_{IL} = V_{IL \text{ max}}, I_{OH} = -400 \mu\text{A}$	2.5	3.4	2.7	3.4	V
$V_{OL}$ Low-level output voltage	$V_{CC} = \text{MIN}, V_{IH} = 2 \text{ V}, V_{IL} = V_{IL \text{ max}}$	$I_{OL} = 4 \text{ mA}$ $I_{OL} = 8 \text{ mA}$		$I_{OL} = 4 \text{ mA}$ $I_{OL} = 8 \text{ mA}$		V
$I_I$ Input current at maximum input voltage	$V_{CC} = \text{MAX}, V_I = 7 \text{ V}$		0.1		0.1	mA
$I_{IH}$ High-level input current	$V_{CC} = \text{MAX}, V_I = 2.7 \text{ V}$		20		20	$\mu$ A
$I_{IL}$ Low-level input current	$V_{CC} = \text{MAX}, V_I = 0.4 \text{ V}$		-0.4		-0.4	mA
$I_{OS}$ Short-circuit output current §	$V_{CC} = \text{MAX}$	-20	-100	-20	-100	mA
$I_{CCL}$ Supply current, output low	$V_{CC} = \text{MAX}, \text{ See Note 2}$	6.2	10	6.2	10	mA

† For conditions shown as MIN or MAX, use the appropriate value specified under recommended operating.

‡ All typical values are at  $V_{CC} = 5 \text{ V}, T_A = 25^\circ\text{C}$ .

§ Not more than one output should be shorted at a time, and duration of the short-circuit should not exceed one second.

NOTE 2:  $I_{CCL}$  is measured with the outputs open and all inputs grounded.

### switching characteristics, $V_{CC} = 5 \text{ V}, T_A = 25^\circ\text{C}$

PARAMETER¶	FROM (INPUT)	TO (OUTPUT)	TEST CONDITIONS	MIN	TYP	MAX	UNIT
$t_{PLH}$	Data	Y	$C_L = 15 \text{ pF},$ $R_L = 2 \text{ k}\Omega,$ See Note 3		13	20	ns
$t_{PHL}$	Data	Y			17	26	ns
$t_{PLH}$	Select	Y			19	29	ns
$t_{PHL}$	Select	Y			25	38	ns
$t_{PLH}$	Strobe	Y			16	24	ns
$t_{PHL}$	Strobe	Y			21	32	ns

¶  $t_{PLH}$  = propagation delay time, low-to-high-level output

$t_{PHL}$  = propagation delay time, high-to-low-level output

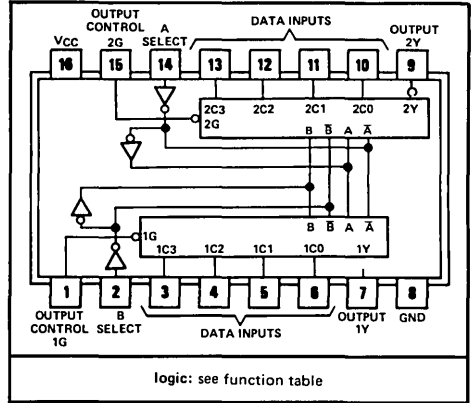
NOTE 3: Load circuits and voltage waveforms are shown on page 3-11.

**TYPES SN54LS353, SN74LS353**  
**DUAL 4-LINE-TO-1-LINE DATA SELECTORS/MULTIPLEXERS**  
**WITH 3-STATE OUTPUTS**

BULLETIN NO. DL-S 12464, OCTOBER 1976

SN54LS353 . . . J OR W PACKAGE  
SN74LS353 . . . J OR N PACKAGE  
(TOP VIEW)

- Inverting Versions of SN54LS253, SN74LS253
- Schottky-Diode-Clamped Transistors
- Permits Multiplexing from N Lines to 1 Line
- Performs Parallel-to-Serial Conversion
- Typical Average Propagation Delay Times:  
Data Input to Output . . . 12 ns  
Control Input to Output . . . 16 ns  
Select Input to Output . . . 21 ns
- Fully Compatible with Most TTL and DTL Circuits
- Low Power Dissipation . . . 35 mW Typical (Enabled)
- Inverted Data



**description**

Each of these Schottky-clamped data selectors/multiplexers contains inverters and drivers to supply fully complementary, on-chip, binary decoding data selection to the AND-OR-invert gates. Separate output control inputs are provided for each of the two four-line sections.

The three-state outputs can interface with and drive data lines of bus-organized systems. With all but one of the common outputs disabled (at a high-impedance state) the low-impedance of the single enabled output will drive the bus line to a high or low logic level.

**logic**

**FUNCTION TABLE**

SELECT INPUTS		DATA INPUTS				OUTPUT CONTROL	OUTPUT
B	A	C0	C1	C2	C3	G	Y
X	X	X	X	X	X	H	Z
L	L	L	X	X	X	L	H
L	L	H	X	X	X	L	L
L	H	X	L	X	X	L	H
L	H	X	H	X	X	L	L
H	L	X	X	L	X	L	H
H	L	X	X	H	X	L	L
H	H	X	X	X	L	L	H
H	H	X	X	X	H	L	L

Select inputs A and B are common to both sections.

H = high level, L = low level, X = irrelevant, Z = high impedance (off)

**absolute maximum ratings over operating free-air temperature range (unless otherwise noted)**

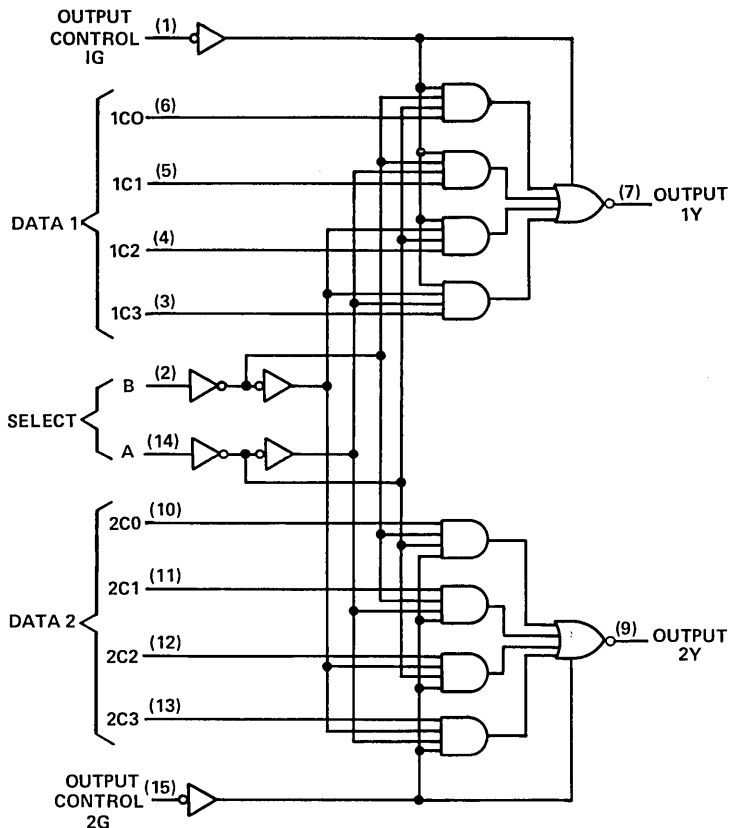
Supply voltage, V <sub>CC</sub> (see Note 1)	7 V
Input voltage	7 V
Off-state output voltage	5.5 V
Operating free-air temperature range: SN54LS353	-55°C to 125°C
SN74LS353	0°C to 70°C
Storage temperature range	-65°C to 150°C

NOTE 1: Voltage values are with respect to network ground terminal.

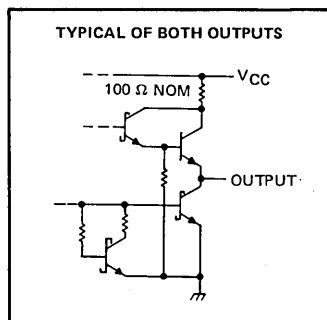
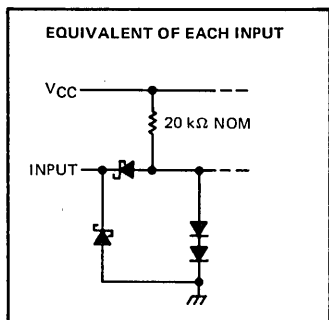
# TYPES SN54LS353, SN74LS353

## DUAL 4-LINE-TO-1-LINE DATA SELECTORS/MULTIPLEXERS WITH 3-STATE OUTPUTS

functional block diagram



schematics of inputs and outputs



# TYPES SN54LS353, SN74LS353 DUAL 4-LINE-TO-1-LINE DATA SELECTORS/ MULTIPLEXERS WITH 3-STATE OUTPUTS

## recommended operating conditions

	SN54LS353			SN74LS353			UNIT
	MIN	NOM	MAX	MIN	NOM	MAX	
Supply voltage, $V_{CC}$	4.5	5	5.5	4.75	5	5.25	V
High-level output current, $I_{OH}$			-1			-2.6	mA
Low-level output current, $I_{OL}$			4			8	mA
Operating free-air temperature, $T_A$	-55		125	0		70	°C

## electrical characteristics over recommended operating free-air temperature range (unless otherwise noted)

PARAMETER	TEST CONDITIONS†	SN54LS353			SN74LS353			UNIT	
		MIN	TYP‡	MAX	MIN	TYP‡	MAX		
$V_{IH}$ High-level input voltage		2			2			V	
$V_{IL}$ Low-level input voltage				0.7			0.8	V	
$V_{IK}$ Input clamp voltage	$V_{CC} = \text{MIN}, I_I = -18 \text{ mA}$			-1.5			-1.5	V	
$V_{OH}$ High-level output voltage	$V_{CC} = \text{MIN}, V_{IH} = 2 \text{ V}, V_{IL} = V_{IL \text{ max}}, I_{OH} = \text{MAX}$	2.4	3.4		2.4	3.1		V	
$V_{OL}$ Low-level output voltage	$V_{CC} = \text{MIN}, V_{IH} = 2 \text{ V}, V_{IL} = V_{IL \text{ max}}$			$I_{OL} = 4 \text{ mA}$ $I_{OL} = 8 \text{ mA}$	0.25 0.4	0.25 0.4	0.35 0.5	V	
$I_{OZ}$ Off-State (high-impedance state) output current	$V_{CC} = \text{MAX}, V_{IH} = 2 \text{ V}$			$V_O = 2.7 \text{ V}$ $V_O = 0.4 \text{ V}$	20 -20	20 -20		μA	
$I_I$ Input current at maximum input voltage	$V_{CC} = \text{MAX}, V_I = 7 \text{ V}$				0.1		0.1	mA	
$I_{IH}$ High-level input current	$V_{CC} = \text{MAX}, V_I = 2.7 \text{ V}$				20		20	μA	
$I_{IL}$ Low-level input current	$V_{CC} = \text{MAX}, V_I = 0.4 \text{ V}$				-0.4		-0.4	mA	
$I_{OS}$ Short-circuit output current §	$V_{CC} = \text{MAX}$	-30		-130	-30		-130	mA	
$I_{CC}$ Supply current	$V_{CC} = \text{MAX},$ See Note 2			Condition A Condition B	7 8.5	12 14	7 8.5	12 14	mA

† For conditions shown as MIN or MAX, use the appropriate value specified under recommended operating conditions.

‡ All typical values are at  $V_{CC} = 5 \text{ V}, T_A = 25^\circ \text{C}$ .

§ Not more than one output should be shorted at a time, and duration of the short-circuit should not exceed one second.

NOTE 2:  $I_{CC}$  is measured with the outputs open under the following conditions:

- A. All inputs grounded.
- B. Output control at 4.5 V, all inputs grounded.

## switching characteristics, $V_{CC} = 5 \text{ V}, T_A = 25^\circ \text{C}$

PARAMETER¶	FROM (INPUT)	TO (OUTPUT)	TEST CONDITIONS	MIN	TYP	MAX	UNIT
$t_{PLH}$	Data	Y	$C_L = 15 \text{ pF}, R_L = 2 \text{ k}\Omega,$ See Note 3		11	25	ns
$t_{PHL}$					13	20	
$t_{PLH}$	Select	Y			20	45	ns
$t_{PHL}$					21	32	
$t_{PZH}$	Output Control	Y			11	23	ns
$t_{PZL}$					15	23	
$t_{PHZ}$	Output Control	Y	$C_L = 5 \text{ pF}, R_L = 2 \text{ k}\Omega,$ See Note 3		27	41	ns
$t_{PLZ}$					12	27	

¶  $t_{PLH}$  = Propagation delay time, low-to-high-level output

$t_{PHL}$  = Propagation delay time, high-to-low-level output

$t_{PZH}$  = Output enable time to high level

$t_{PZL}$  = Output enable time to low level

$t_{PHZ}$  = Output disable time from high level

$t_{PLZ}$  = Output disable time from low level

NOTE 3: Load circuit and waveforms are shown on page 3-11.

# TYPES SN54LS624 THRU SN54LS629, SN74LS624 THRU SN74LS629 VOLTAGE-CONTROLLED OSCILLATORS

D2501, JANUARY 1980 — REVISED OCTOBER 1980

- Separate Supply Voltage Pins for Isolation of Frequency Control Inputs and Oscillators from Output Circuitry
- Highly Stable Operation over Specified Temperature and/or Supply Voltage Ranges

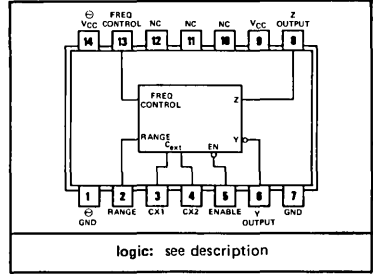
DEVICE TYPE	SIMILAR TO	NUMBER VCO's	COMP'L Z OUT	ENABLE	RANGE INPUT	R <sub>ext</sub>
'LS624	'LS324	single	yes	yes	yes	no
'LS625	'LS325	dual	yes	no	no	no
'LS626	'LS326	dual	yes	yes	no	no
'LS627	'LS327	dual	no	no	no	no
'LS628	'LS324	single	yes	yes	yes	yes
'LS629	'LS124	dual	no	yes	yes	no

**description**

These voltage-controlled oscillators (VCO's) are improved versions of the original VCO family: SN54LS124, SN54LS324 thru SN54LS327, SN74LS124, and SN74LS324 thru SN74LS327. These new devices feature improved voltage-to-frequency linearity, range, and compensation. With the exception of the 'LS624 and 'LS628, all of these devices feature two independent VCO's in a single monolithic chip. The 'LS624, 'LS625, 'LS626 and 'LS628 have complementary Z outputs. The output frequency for each VCO is established by a single external component (either a capacitor or a crystal), in combination with voltage-sensitive inputs used for frequency control and frequency range. Each device has a voltage-sensitive input for frequency control; however, the 'LS624, 'LS628, and 'LS629 devices also have one for frequency range. (See Figures 1 thru 6).

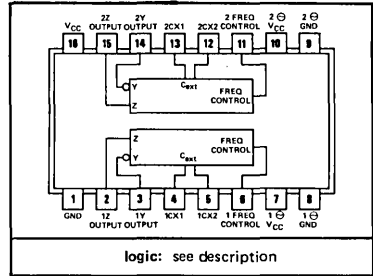
The 'LS628 features two R<sub>external</sub> pins that can offer more precise temperature compensation than its 'LS624 counterpart.

SN54LS' . . . J OR W PACKAGE  
SN74LS' . . . J OR N PACKAGE  
'LS624 (TOP VIEW)



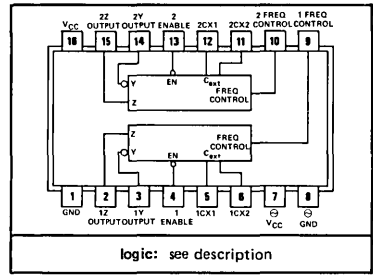
logic: see description

'LS625 (TOP VIEW)



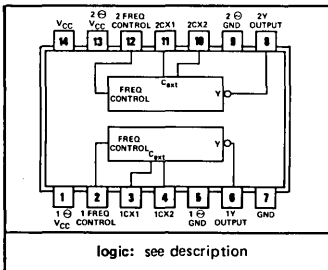
logic: see description

'LS626 (TOP VIEW)



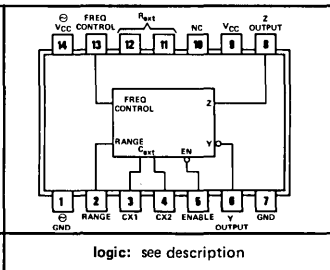
logic: see description

'LS627 (TOP VIEW)



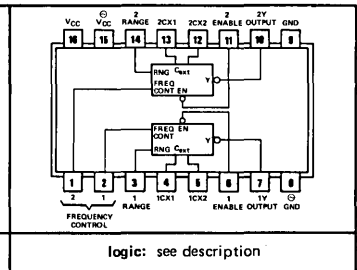
logic: see description

'LS628 (TOP VIEW)



logic: see description

'LS629 (TOP VIEW)



logic: see description

NC—No internal connection



# TYPES SN54LS624 THRU SN54LS629, SN74LS624 THRU SN74LS629 VOLTAGE-CONTROLLED OSCILLATORS

## recommended operating conditions

	SN54LS'			SN74LS'			UNIT
	MIN	NOM	MAX	MIN	NOM	MAX	
Supply voltage, $V_{CC}$	4.5	5	5.5	4.75	5	5.25	V
Input voltage at frequency control or range input, $V_{I(freq)}$ or $V_{I(rng)}$ <sup>▲</sup>	0		5	0		5	V
High-level output current, $I_{OH}$			-1.2			-1.2	mA
Low-level output current, $I_{OL}$			12			24	mA
Output frequency, $f_o$	1			1			Hz
			20			20	MHz
Operating free-air temperature, $T_A$	-55		125	0		70	°C

## electrical characteristics over recommended operating free-air temperature range (unless otherwise noted)

PARAMETER		TEST CONDITIONS <sup>†</sup>	SN54LS'			SN74LS'			UNIT
			MIN	TYP <sup>‡</sup>	MAX	MIN	TYP <sup>‡</sup>	MAX	
$V_{IH}$	High-level input voltage at enable <sup>♦</sup>		2			2			V
$V_{IL}$	Low-level input voltage at enable <sup>♦</sup>				0.7			0.8	V
$V_{IK}$	Input clamp voltage at enable <sup>♦</sup>	$V_{CC} = \text{MIN}, I_I = -18 \text{ mA}$			-1.5			-1.5	V
$V_{OH}$	High-level output voltage	$V_{CC} = \text{MIN}, I_{OH} = -1.2 \text{ mA}, \text{EN at } V_{IL} \text{ max, See Note 3}$	2.5	3.4		2.7	3.4		V
$V_{OL}$	Low-level output voltage	$V_{CC} = \text{MIN}, \text{EN at } V_{IL} \text{ max, See Note 3}$	$I_{OL} = 12 \text{ mA}$	0.25	0.4	0.25	0.4		V
			$I_{OL} = 24 \text{ mA}$			0.35	0.5		
$I_I$	Input current	Freq control or range <sup>▲</sup>	$V_{CC} = \text{MAX}$	$V_I = 5 \text{ V}$	50	250	50	250	$\mu\text{A}$
				$V_I = 1 \text{ V}$	10	50	10	50	
$I_I$	Input current at maximum input voltage	Enable <sup>♦</sup>	$V_{CC} = \text{MAX}, V_I = 7 \text{ V}$		0.2		0.2	mA	
$I_{IH}$	High-level input current	Enable <sup>♦</sup>	$V_{CC} = \text{MAX}, V_I = 2.7 \text{ V}$		40		40	$\mu\text{A}$	
$I_{IL}$	Low-level input current	Enable <sup>♦</sup>	$V_{CC} = \text{MAX}, V_I = 0.4 \text{ V}$		-0.8		-0.8	mA	
$I_{OS}$	Short-circuit output current <sup>§</sup>	$V_{CC} = \text{MAX}$	-40		-225	-40		-225	mA
$I_{CC}$	Supply current, total into $V_{CC}$ and $\ominus V_{CC}$ pins	$V_{CC} = \text{MAX}, \text{Enable}^\diamond = 4.5 \text{ V}$ See Note 4	'LS624	20	35	20	35	mA	
			'LS625	35	55	35	55		
			'LS626	35	55	35	55		
			'LS627	35	55	35	55		
			'LS628	20	35	20	35		
'LS629	35	55	35	55					

<sup>†</sup> For conditions shown as MIN or MAX, use the appropriate value specified under recommended operating conditions.

<sup>‡</sup> All typical values are at  $V_{CC} = 5 \text{ V}, T_A = 25^\circ\text{C}$ .

<sup>§</sup> Not more than one output should be shorted at a time and duration of the short-circuit should not exceed one second.

<sup>▲</sup> The range input is provided only on the 'LS624, 'LS628, and 'LS629.

<sup>♦</sup> The enable input is provided only on the 'LS624, 'LS626, 'LS628, and 'LS629.

NOTES: 3.  $V_{OH}$  for Y outputs and  $V_{OL}$  for Z outputs are measured while enable inputs are connected to ground, with individual resistors connected from CX1 to  $V_{CC}$  and from CX2 to ground. The resistor connections are reversed for testing  $V_{OH}$  for Z outputs and  $V_{OL}$  for Y outputs.

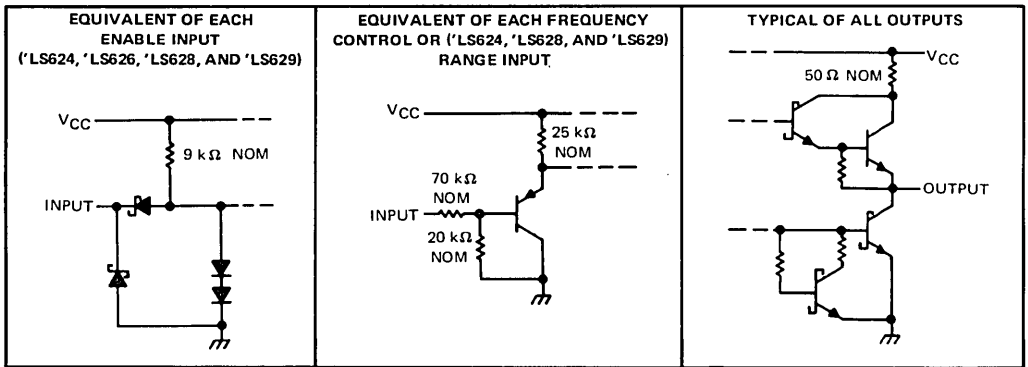
4. For 'LS624, 'LS626, 'LS628, and 'LS629,  $I_{CC}$  is measured with the outputs disabled and open. For 'LS625 and 'LS627,  $I_{CC}$  is measured with one  $\ominus V_{CC} = \text{MAX}$ , and with the other  $\ominus V_{CC}$  and outputs open.

# TYPES SN54LS624 THRU SN54LS629, SN74LS624 THRU SN74LS629 VOLTAGE-CONTROLLED OSCILLATORS

switching characteristics,  $V_{CC} = 5\text{ V}$  (unless otherwise noted),  $R_L = 667\ \Omega$ ,  $C_L = 45\text{ pF}$ ,  $T_A = 25^\circ\text{ C}$

PARAMETER	TEST CONDITIONS	'LS624, 'LS628, 'LS629			'LS625, 'LS626, 'LS627			UNIT	
		MIN	TYP	MAX	MIN	TYP	MAX		
$f_O$ Output frequency	$C_{ext} = 50\text{ pF}$	$V_I(\text{freq}) = 5\text{ V}, V_I(\text{rng}) = 0\text{ V}$	15	20	25			MHz	
		$V_I(\text{freq}) = 0\text{ V}, V_I(\text{rng}) = 5\text{ V}$	0.7	1	1.3				
		$V_I(\text{freq}) = 5\text{ V}$				7	9.5		12
		$V_I(\text{freq}) = 0\text{ V}$				0.9	1.2		1.5

## schematics of inputs and outputs



## TYPICAL CHARACTERISTICS

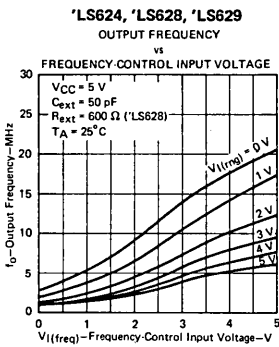


FIGURE 1

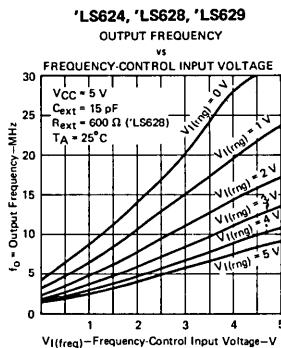


FIGURE 2

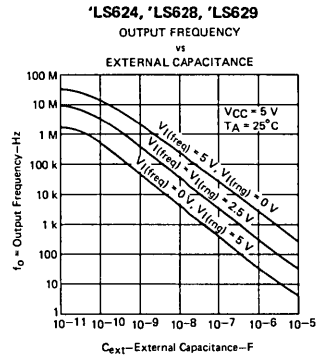


FIGURE 3



# TYPES SN54LS624 THRU SN54LS629, SN74LS624 THUR SN74LS629 VOLTAGE-CONTROLLED OSCILLATORS

## TYPICAL CHARACTERISTICS

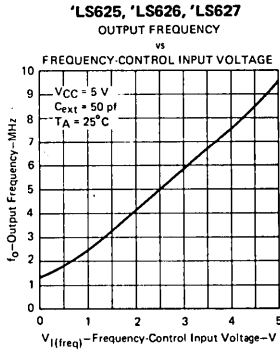


FIGURE 4

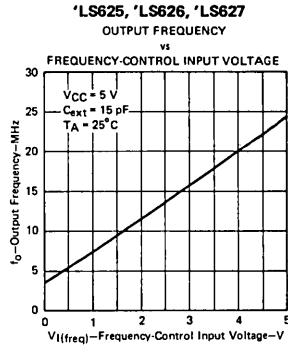


FIGURE 5

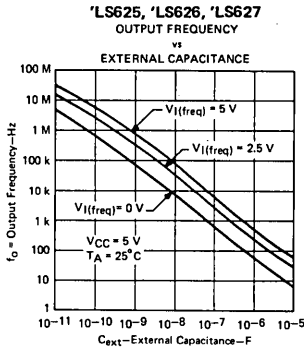


FIGURE 6

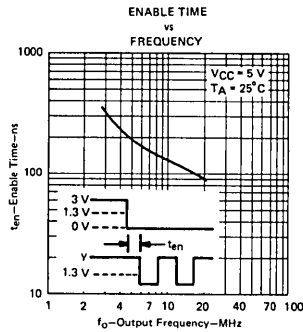
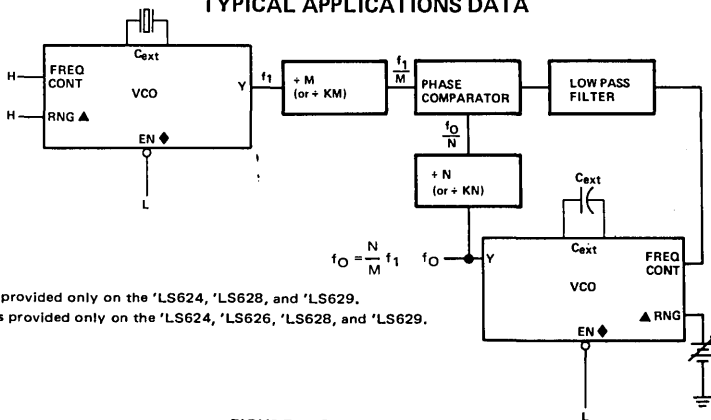


FIGURE 7

## TYPICAL APPLICATIONS DATA



- ▲ The range input is provided only on the 'LS624, 'LS628, and 'LS629.
- ◆ The enable input is provided only on the 'LS624, 'LS626, 'LS628, and 'LS629.

FIGURE A—PHASE-LOCKED LOOP

TTL  
LSI

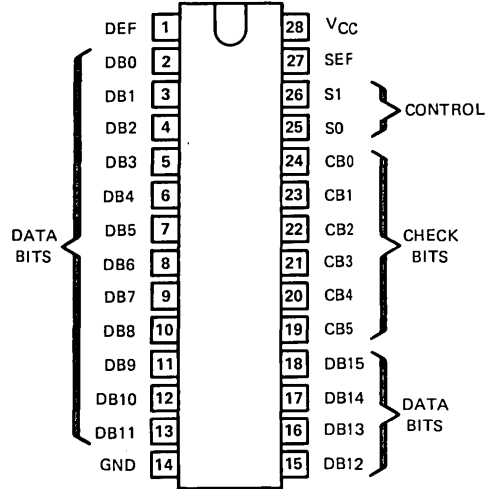
# TYPES SN54LS630, SN54LS631, SN74LS630, SN74LS631 16-BIT PARALLEL ERROR DETECTION AND CORRECTION CIRCUITS

D2550, MARCH 1980

(TIM99630, TIM99631)

- Detects and Corrects Single-Bit Errors
- Detects and Flags Dual-Bit Errors
- Fast Processing Times:
  - Write Cycle: Generates Check Word in 45 ns Typical
  - Read Cycle: Flags Errors in 27 ns Typical
- Power Dissipation 600 mW Typical
- Choice of Output Configurations:
  - 'LS630 . . . 3-State
  - 'LS631 . . . Open-Collector

SN54LS' . . . J PACKAGE  
SN74LS' . . . N PACKAGE  
(TOP VIEW)



## description

The 'LS630 and 'LS631 devices are 16-bit parallel error detection and correction circuits (EDACs) in 28-pin, 600-mil packages. They use a modified Hamming code to generate a 6-bit check word from a 16-bit data word. This check word is stored along with the data word during the memory write cycle. During the memory read cycle, the 22-bit words from memory are processed by the EDACs to determine if errors have occurred in memory.

Single-bit errors in the 16-bit data word are flagged and corrected.

Single-bit errors in the 6-bit check word are flagged, and the CPU sends the EDAC through the correction cycle even though the 16-bit word is not in error. The correction cycle will simply pass along the original 16-bit word in this case and produce error syndrome bits to pinpoint the error-generating location.

Dual-bit errors are flagged but not corrected. These dual errors may occur in any two bits of the 22-bit word from memory (two errors in the 16-bit data word, two errors in the 6-bit check word, or one error in each word).

The gross-error condition of all lows or all highs from memory will be detected. Otherwise, errors in three or more bits of the 22-bit word are beyond the capabilities of these devices to detect.

CONTROL FUNCTION TABLE

Memory Cycle	Control		EDAC Function	Data I/O	Check Word I/O	Error Flags	
	S1	S0				SEF	DEF
WRITE	L	L	Generate Check Word	Input Data	Output Check Word	L	L
READ	L	H	Read Data & Check Word	Input Data	Input Check Word	L	L
READ	H	H	Latch & Flag Errors	Latch Data	Latch Check Word	Enabled	
READ	H	L	Correct Data Word & Generate Syndrome Bits	Output Corrected Data	Output Syndrome Bits	Enabled	

Copyright © 1980 by Texas Instruments Incorporated

TEXAS INSTRUMENTS  
INCORPORATED

POST OFFICE BOX 225012 • DALLAS, TEXAS 75265

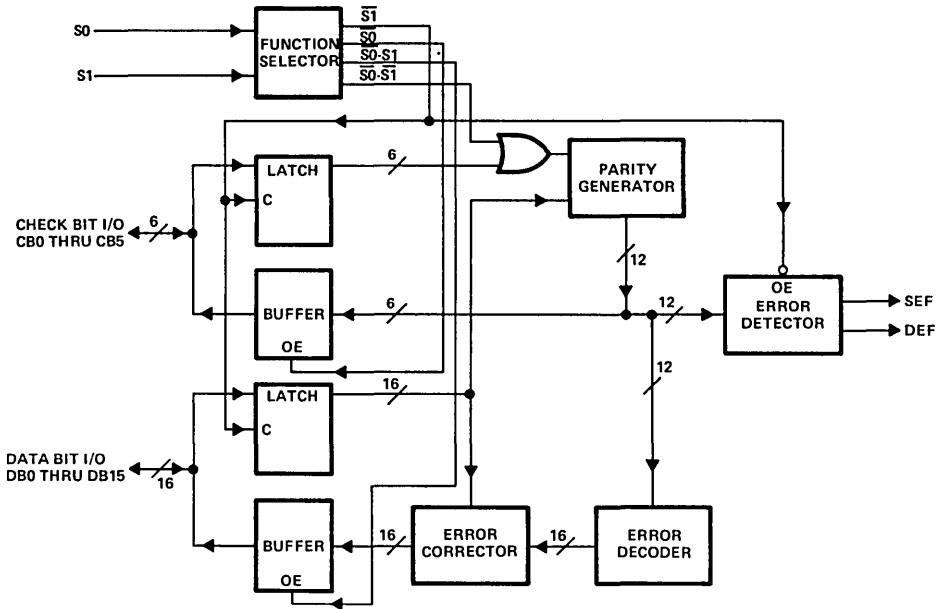
7-465



# TYPES SN54LS630, SN54LS631, SN74LS630, SN74LS631

## 16-BIT PARALLEL ERROR DETECTION AND CORRECTION CIRCUITS

functional block diagram



ERROR FUNCTION TABLE

Total Number of Errors		Error Flags		Data Correction
16-Bit Data	6-Bit Checkword	SEF	DEF	
0	0	L	L	Not Applicable
1	0	H	L	Correction
0	1	H	L	Correction
1	1	H	H	Interrupt
2	0	H	H	Interrupt
0	2	H	H	Interrupt

In order to be able to determine whether the data from the memory is acceptable to use as presented to the bus, the EDAC must be strobed to enable the error flags and the flags will have to be tested for the zero condition.

The first case in the error function table represents the normal, no-error condition. The CPU sees lows on both flags. The next two cases of single-bit errors require data correction. Although the EDAC can discern the single check bit error and ignore it, the error flags are identical to the single error in the 16-bit data word. The CPU will ask for data correction in both cases. An interrupt condition to the CPU results in each of the last three cases, where dual errors occur.

### error detection and correction details

During a memory write cycle, six check bits (CB0-CB5) are generated by eight-input parity generators using the data bits as defined below. During a memory read cycle, the 6-bit check word is retrieved along with the actual data.

# TYPES SN54LS630, SN54LS631, SN74LS630, SN74LS631

## 16-BIT PARALLEL ERROR DETECTION AND CORRECTION CIRCUITS

CHECKWORD BIT	16-BIT DATA WORD															
	0	1	2	3	4	5	6	7	8	9	10	11	12	13	14	15
CB0	x	x		x	x				x	x	x				x	
CB1	x		x	x		x	x		x			x			x	
CB2		x	x		x	x		x		x			x			x
CB3	x	x	x				x	x			x	x	x			
CB4				x	x	x	x	x						x	x	x
CB5									x	x	x	x	x	x	x	x

The six check bits are parity bits derived from the matrix of data bits as indicated by "x" for each bit.

Error detection is accomplished as the 6-bit check word and the 16-bit data word from memory are applied to internal parity generators/checkers. If the parity of all six groupings of data and check bits are correct, it is assumed that no error has occurred and both error flags will be low. (It should be noted that the sense of two of the check bits, bits CB0 and CB1, is inverted to ensure that the gross-error condition of all lows and all highs is detected.)

If the parity of one or more of the check groups is incorrect, an error has occurred and the proper error flag or flags will be set high. Any single error in the 16-bit data word will change the sense of exactly three bits of the 6-bit check word. Any single error in the 6-bit check word changes the sense of only that one bit. In either case, the single error flag will be set high while the dual error flag will remain low.

Any two-bit error will change the sense of an even number of check bits. The two-bit error is not correctable since the parity tree can only identify single-bit errors. Both error flags are set high when any two-bit error is detected.

Three or more simultaneous bit errors can fool the EDAC into believing that no error, a correctable error, or an uncorrectable error has occurred and produce erroneous results in all three cases.

Error correction is accomplished by identifying the bad bit and inverting it. Identification of the erroneous bit is achieved by comparing the 16-bit data word and 6-bit check word from memory with the new check word with one (check word error) or three (data word error) inverted bits.

As the corrected word is made available on the data word I/O port, the check word I/O port presents a 6-bit syndrome error code. This syndrome code can be used to identify the bad memory chip.

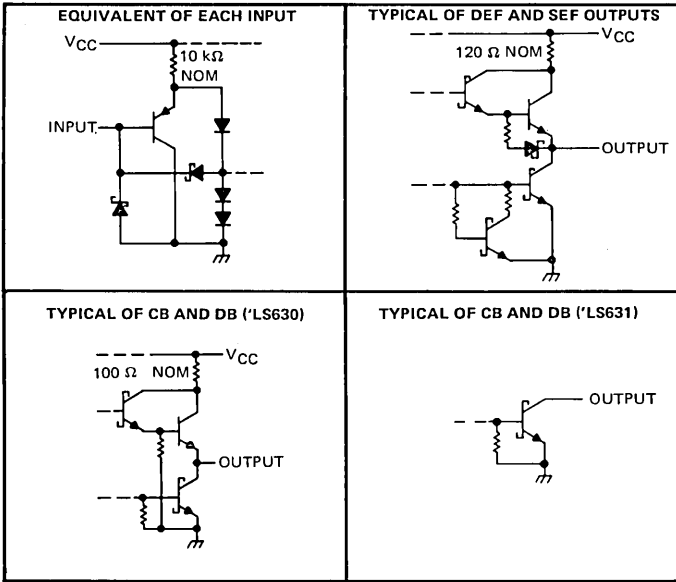
ERROR SYNDROME TABLE

ERROR LOCATION	SYNDROME ERROR CODE					
	CB0	CB1	CB2	CB3	CB4	CB5
DB0	L	L	H	L	H	H
DB1	L	H	L	L	H	H
DB2	H	L	L	L	H	H
DB3	L	L	H	H	L	H
DB4	L	H	L	H	L	H
DB5	H	L	L	H	L	H
DB6	H	L	H	L	L	H
DB7	H	H	L	L	L	H
DB8	L	L	H	H	H	L
DB9	L	H	L	H	H	L
DB10	L	H	H	L	H	L
DB11	H	L	H	L	H	L
DB12	H	H	L	L	H	L
DB13	L	H	H	H	L	L
DB14	H	L	H	H	L	L
DB15	H	H	L	H	L	L
CB0	L	H	H	H	H	H
CB1	H	L	H	H	H	H
CB2	H	H	L	H	H	H
CB3	H	H	H	L	H	H
CB4	H	H	H	H	L	H
CB5	H	H	H	H	H	L
NO ERROR	H	H	H	H	H	H

# TYPES SN54LS630, SN54LS631, SN74LS630, SN74LS631

## 16-BIT PARALLEL ERROR DETECTION AND CORRECTION CIRCUITS

schematics of inputs and outputs



absolute maximum ratings over operating free-air temperature range (unless otherwise noted)

Supply voltage, $V_{CC}$ (see Note 1)	7 V
Input voltage: S0 and S1	7 V
CB and DB	5.5 V
Off-state output voltage	5.5 V
Operating free-air temperature range: SN54LS630, SN54LS631	-55°C to 125°C
SN74LS630, SN74LS631	0°C to 70°C
Storage temperature range	-65°C to 150°C

NOTE 1: Voltage Values are with respect to network ground terminal.

### recommended operating conditions

		SN54LS630 SN54LS631			SN74LS630 SN74LS631			UNIT
		MIN	NOM	MAX	MIN	NOM	MAX	
Supply voltage, $V_{CC}$		4.5	5	5.5	4.75	5	5.25	V
High-level output current, $I_{OH}$	CB or DB, 'LS630 only			-1			-1	mA
	DEF or SEF			-0.4			-0.4	
High-level output voltage, $V_{OH}$	CB or DB, 'LS631 only			5.5			5.5	V
	CB or DB			12			24	
Low-level output current, $I_{OL}$	DEF or SEF			4			8	mA
	CB or DB to S1†		10			10		
Setup time, $t_{SU}$	CB or DB after S1†		15			15		ns
Hold time, $t_H$	CB or DB after S1†		15			15		ns
Operating free-air temperature, $T_A$			-55	125		0	70	°C

† The upward-pointing arrow indicates a transition from low to high.

# TYPES SN54LS630, SN54LS631, SN74LS630, SN74LS631

## 16-BIT PARALLEL ERROR DETECTION AND CORRECTION CIRCUITS

electrical characteristics over recommended operating free-air temperature range (unless otherwise noted)

PARAMETERS		TEST CONDITIONS†	SN54LS630		SN74LS630		UNIT
			MIN	TYP‡	MAX	MIN	
V <sub>IH</sub>	High-level input voltage		2		2		V
V <sub>IL</sub>	Low-level input voltage		0.7		0.8		V
V <sub>IK</sub>	Input clamp voltage	V <sub>CC</sub> = MIN, I <sub>I</sub> = -18 mA	-1.5		-1.5		V
V <sub>OH</sub>	High-level output voltage	CB or DB DEF or SEF V <sub>CC</sub> = MIN, V <sub>IH</sub> = 2 V, V <sub>IL</sub> = V <sub>IL min</sub>	I <sub>OH</sub> = MAX		2.4 3.2		V
			I <sub>OH</sub> = -400 µA		2.5 3.4		
V <sub>OL</sub>	Low-level output voltage	CB or DB DEF or SEF V <sub>CC</sub> = MIN, V <sub>IH</sub> = 2 V, V <sub>IL</sub> = V <sub>IL max</sub>	I <sub>OL</sub> = 12 mA		0.25 0.4		V
			I <sub>OL</sub> = 24 mA		0.35 0.5		
			I <sub>OL</sub> = 4 mA		0.25 0.4		
			I <sub>OL</sub> = 8 mA		0.35 0.5		
I <sub>OZH</sub>	Off-state output current, high-level voltage applied	CB or DB V <sub>CC</sub> = MAX, S0 and S1 at 2 V V <sub>O</sub> = 2.7 V	20		20		µA
I <sub>OZL</sub>	Off-state output current, low-level voltage applied	CB or DB V <sub>CC</sub> = MAX, S0 and S1 at 2 V V <sub>O</sub> = 0.4 V	-20		-20		µA
I <sub>I</sub>	Input current at maximum input voltage	CB or DB S0 or S1 V <sub>CC</sub> = MAX, V <sub>IH</sub> = 4.5 V	V <sub>I</sub> = 5.5 V		0.1		mA
			V <sub>I</sub> = 7 V		0.1		
I <sub>IH</sub>	High-level input current	V <sub>CC</sub> = MAX, V <sub>I</sub> = 2.7 V	20		20		µA
I <sub>IL</sub>	Low-level input current	V <sub>CC</sub> = MAX, V <sub>I</sub> = 0.4 V	-0.2		-0.2		mA
I <sub>OS</sub>	Short-circuit output current¶	CB or DB DEF or SEF V <sub>CC</sub> = MAX,	-30 -130		-30 -130		mA
			-20 -100		-20 -100		
I <sub>CC</sub>	Supply current	V <sub>CC</sub> = MAX, S0 and S1 at 4.5 V, All CB and DB pins grounded, DEF and SEF open	143 230		143 230		mA

electrical characteristics over recommended operating free-air temperature range (unless otherwise noted)

PARAMETER		TEST CONDITIONS†	SN54LS631		SN74LS631		UNIT
			MIN	TYP‡	MAX	MIN	
V <sub>IH</sub>	High-level input voltage		2		2		V
V <sub>IL</sub>	Low-level input voltage		0.7		0.8		V
V <sub>IK</sub>	Input clamp voltage	V <sub>CC</sub> = MIN, I <sub>I</sub> = -18 mA	-1.5		-1.5		V
V <sub>OH</sub>	High-level output voltage	DEF or SEF V <sub>CC</sub> = MIN, V <sub>IH</sub> = 2 V, V <sub>IL</sub> = V <sub>IL max</sub>	2.5 3.4		2.7 3.4		V
I <sub>OH</sub>	High-level output current	CB or DB V <sub>CC</sub> = MIN, V <sub>IH</sub> = 2 V, V <sub>IL</sub> = V <sub>IL max</sub>	100		100		µA
V <sub>OL</sub>	Low-level output voltage	CB or DB DEF or SEF V <sub>CC</sub> = MIN, V <sub>IH</sub> = 2 V, V <sub>IL</sub> = V <sub>IL max</sub>	I <sub>OL</sub> = 12 mA		0.25 0.4		V
			I <sub>OL</sub> = 24 mA		0.35 0.5		
			I <sub>OL</sub> = 4 mA		0.25 0.4		
			I <sub>OL</sub> = 8 mA		0.35 0.5		
I <sub>I</sub>	Input current at maximum input voltage	CB or DB S0 or S1 V <sub>CC</sub> = MAX, V <sub>IH</sub> = 4.5 V	V <sub>I</sub> = 5.5 V		100		µA
			V <sub>I</sub> = 7 V		100		
I <sub>IH</sub>	High-level input current	V <sub>CC</sub> = MAX, V <sub>I</sub> = 2.7 V	20		20		µA
I <sub>IL</sub>	Low-level input current	V <sub>CC</sub> = MAX, V <sub>I</sub> = 0.4 V	-0.2		-0.2		mA
I <sub>OS</sub>	Short-circuit output current¶	DEF or SEF V <sub>CC</sub> = MAX,	-20 -100		-20 -100		mA
			-20 -100		-20 -100		
I <sub>CC</sub>	Supply current	V <sub>CC</sub> = MAX, S0 and S1 at 4.5 V, All CB and DB grounded, SEF and DEF open	113 180		113 180		mA

† For conditions shown as MIN or MAX, use the appropriate value specified under recommended operating conditions.

‡ All typical values are at V<sub>CC</sub> = 5 V, T<sub>A</sub> = 25°C.

¶ Not more than one output should be shorted at a time, and duration of the short circuit should not exceed one second.

# TYPES SN54LS630, SN54LS631, SN74LS630, SN74LS631

## 16-BIT PARALLEL ERROR DETECTION AND CORRECTION CIRCUITS

switching characteristics,  $V_{CC} = 5\text{ V}$ ,  $T_A = 25^\circ\text{C}$ ,  $C_L = 45\text{ pF}$

PARAMETER	FROM (INPUT)	TO (OUTPUT)	TEST CONDITIONS	'LS630			UNIT
				MIN	TYP	MAX	
$t_{pLH}$ Propagation delay time, low-to-high-level output <sup>◇</sup>	DB	CB	$S_0$ at 0 V, $S_1$ at 0 V, $R_L = 667\ \Omega$ , See Figure 1	31	45	ns	
$t_{PHL}$ Propagation delay time, high-to-low-level output <sup>◇</sup>				45	65		
$t_{PLH}$ Propagation delay time, low-to-high-level output*	$S_1\uparrow$	DEF	$S_0$ at 3 V, $R_L = 2\text{ k}\Omega$ , See Figure 1	27	40	ns	
		SEF		20	30		
$t_{pZH}$ Output enable time to high level <sup>#</sup>	$S_0\downarrow$	CB, DB	$S_1$ at 3 V, $R_L = 667\ \Omega$ , See Figure 2	24	40	ns	
$t_{pZL}$ Output enable time to low level <sup>#</sup>	$S_0\downarrow$	CB, DB	$S_1$ at 3 V, $R_L = 667\ \Omega$ , See Figure 1	30	45	ns	
$t_{pHZ}$ Output disable time from high level <sup>▲</sup>	$S_0\uparrow$	CB, DB	$S_1$ at 3 V, $R_L = 667\ \Omega$ , See Figure 2	43	65	ns	
$t_{pLZ}$ Output disable time from low level <sup>▲</sup>	$S_0\uparrow$	CB, DB	$S_1$ at 3 V, $R_L = 667\ \Omega$ , See Figure 1	31	45	ns	

switching characteristics,  $V_{CC} = 5\text{ V}$ ,  $T_A = 25^\circ\text{C}$ ,  $C_L = 45\text{ pF}$ , see Figure 1

PARAMETER	FROM (INPUT)	TO (OUTPUT)	TEST CONDITIONS	'LS631			UNIT
				MIN	TYP	MAX	
$t_{pLH}$ Propagation delay time, low-to-high level output <sup>◇</sup>	DB	CB	$S_0$ at 0 V, $S_1$ at 0 V, $R_L = 667\ \Omega$	38	55	ns	
$t_{PHL}$ Propagation delay time, high-to-low-level output <sup>◇</sup>				45	65		
$t_{PLH}$ Propagation delay time, low-to-high-level output*	$S_1\uparrow$	DEF	$S_0$ at 3 V, $R_L = 2\text{ k}\Omega$	27	40	ns	
		SEF		20	30		
$t_{PHL}$ Propagation delay time, high-to-low-level output <sup>#</sup>	$S_0\downarrow$	CB, DB	$S_1$ at 3 V, $R_L = 667\text{ k}\Omega$	28	45	ns	
$t_{PLH}$ Propagation delay time, low-to-high-level output <sup>▲</sup>	$S_0\uparrow$	CB, DB	$S_1$ at 3 V, $R_L = 667\text{ k}\Omega$	33	50	ns	

<sup>◇</sup>These parameters describe the time intervals taken to generate the check word during the memory write cycle.

\*These parameters describe the time intervals taken to flag errors during the memory read cycle.

<sup>#</sup>These parameters describe the time intervals taken to correct and output the data word and to generate and output the syndrome error code during the memory read cycle.

<sup>▲</sup>These parameters describe the time intervals taken to disable the CB and DB buses in preparation for a new data word during the memory read cycle.

### PARAMETER MEASUREMENT INFORMATION

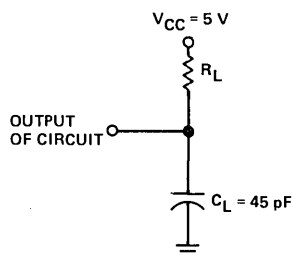


FIGURE 1—OUTPUT LOAD CIRCUIT

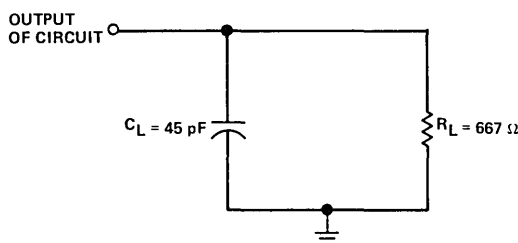


FIGURE 2—OUTPUT LOAD CIRCUIT

TTL  
MSI

# TYPES SN54LS373, SN54LS374, SN54S373, SN54S374, SN74LS373, SN74LS374, SN74S373, SN74S374 OCTAL D-TYPE TRANSPARENT LATCHES AND EDGE-TRIGGERED FLIP-FLOPS

BULLETIN NO. DL-S 12350, OCTOBER 1975 — REVISED JUNE 1979

- Choice of 8 Latches or 8 D-Type Flip-Flops In a Single Package
- 3-State Bus-Driving Outputs
- Full Parallel-Access for Loading
- Buffered Control Inputs
- Clock/Enable Input Has Hysteresis to Improve Noise Rejection
- P-N-P Inputs Reduce D-C Loading on Data Lines ('S373 and 'S374)
- SN54LS363 and SN74LS364 Are Similar But Have Higher  $V_{OH}$  For MOS Interface

'LS373, 'S373  
FUNCTION TABLE

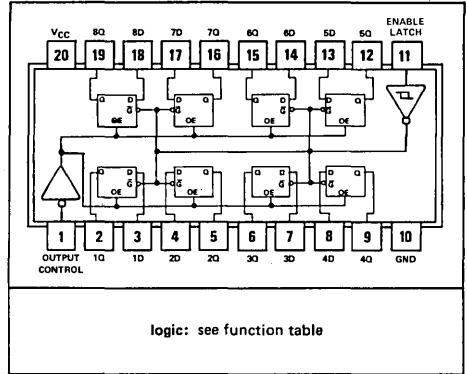
OUTPUT ENABLE	ENABLE LATCH	D	OUTPUT
L	H	H	H
L	H	L	L
L	L	X	$Q_0$
H	X	X	Z

'LS374, 'S374  
FUNCTION TABLE

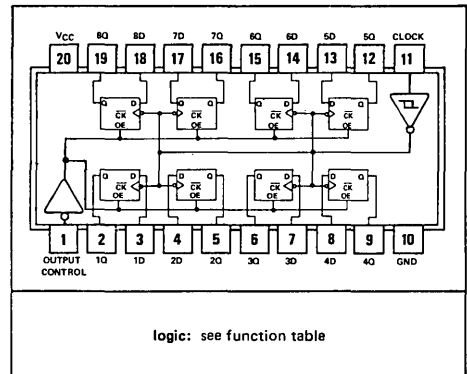
OUTPUT ENABLE	CLOCK	D	OUTPUT
L	↑	H	H
L	↑	L	L
L	L	X	$Q_0$
H	X	X	Z

See explanation of function tables on page 1-13.

SN54LS373, SN54S373 ... J PACKAGE  
SN74LS373, SN74S373 ... J OR N PACKAGE  
(TOP VIEW)



SN54LS374, SN54S374 ... J PACKAGE  
SN74LS374, SN74S374 ... J OR N PACKAGE  
(TOP VIEW)



## description

These 8-bit registers feature totem-pole three-state outputs designed specifically for driving highly-capacitive or relatively low-impedance loads. The high-impedance third state and increased high-logic-level drive provide these registers with the capability of being connected directly to and driving the bus lines in a bus-organized system without need for interface or pull-up components. They are particularly attractive for implementing buffer registers, I/O ports, bidirectional bus drivers, and working registers.

The eight latches of the 'LS373 and 'S373 are transparent D-type latches meaning that while the enable (G) is high the Q outputs will follow the data (D) inputs. When the enable is taken low the output will be latched at the level of the data that was set up.

Copyright © 1979 by Texas Instruments Incorporated

TEXAS INSTRUMENTS  
INCORPORATED

POST OFFICE BOX 225012 • DALLAS, TEXAS 75265

7-471



# TYPES SN54LS373, SN54LS374, SN54S373, SN54S374, SN74LS373, SN74LS374, SN74S373, SN74S374 OCTAL D-TYPE TRANSPARENT LATCHES AND EDGE-TRIGGERED FLIP-FLOPS

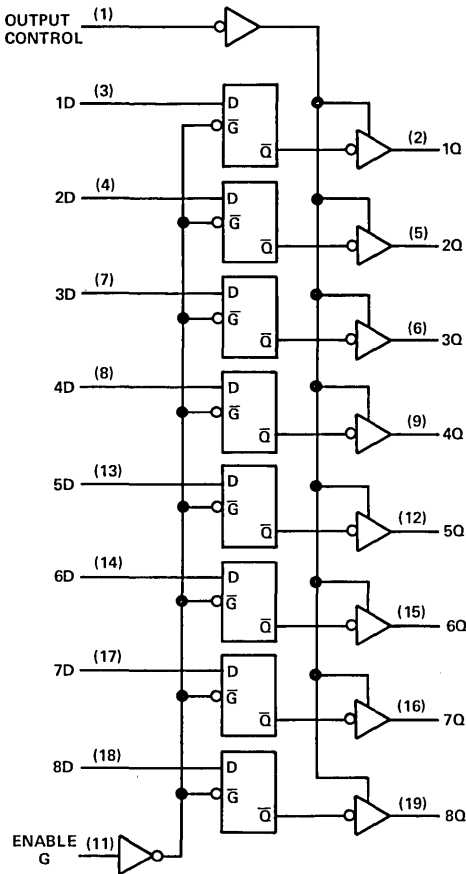
description (continued)

The eight flip-flops of the 'LS374 and 'S374 are edge-triggered D-type flip-flops. On the positive transition of the clock, the Q outputs will be set to the logic states that were setup at the D inputs.

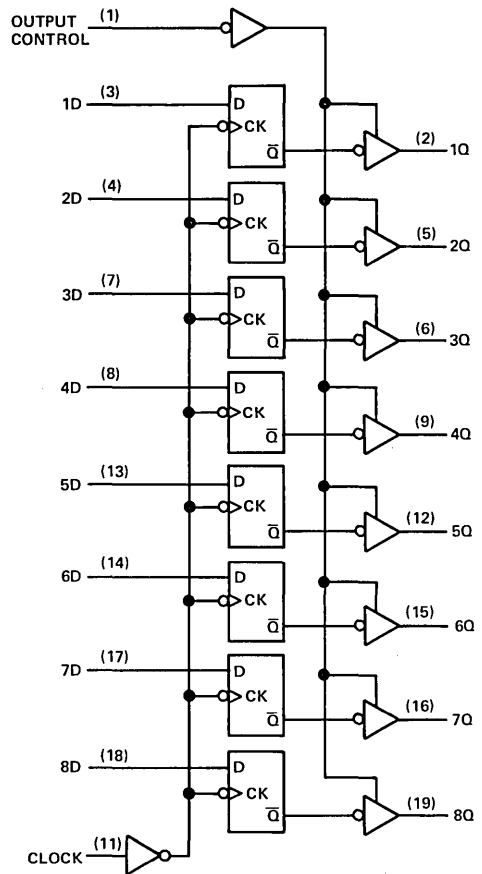
Schmitt-trigger buffered inputs at the enable/clock lines simplify system design as ac and dc noise rejection is improved by typically 400 mV due to the input hysteresis. A buffered output control input can be used to place the eight outputs in either a normal logic state (high or low logic levels) or a high-impedance state. In the high-impedance state the outputs neither load nor drive the bus lines significantly.

The output control does not affect the internal operation of the latches or flip-flops. That is, the old data can be retained or new data can be entered even while the outputs are off.

'LS373, 'S373  
TRANSPARENT LATCHES



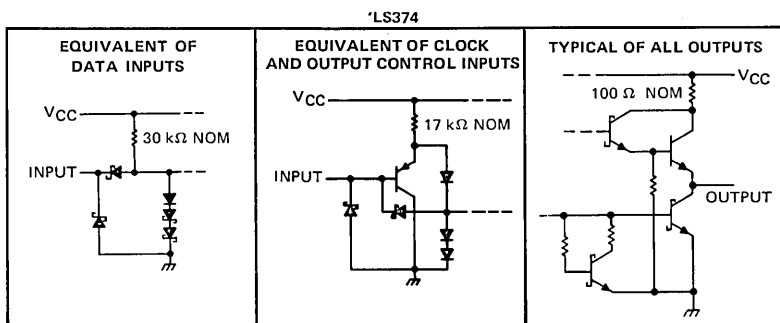
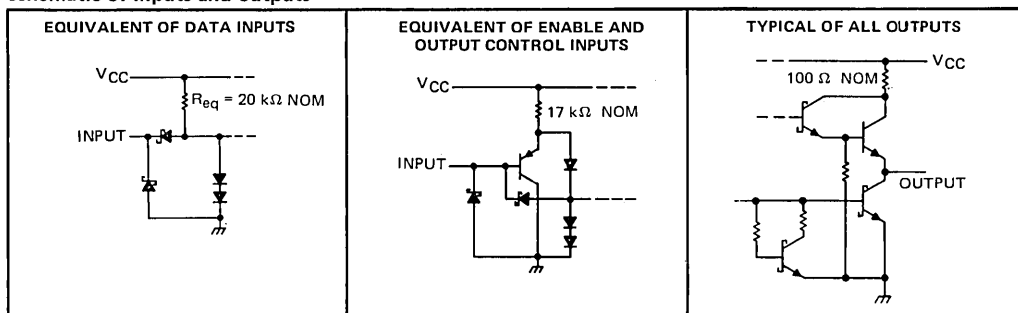
'LS374, 'S374  
POSITIVE-EDGE-TRIGGERED FLIP-FLOPS



# TYPES SN54LS373, SN54LS374, SN74LS373, SN74LS374 OCTAL D-TYPE TRANSPARENT LATCHES AND EDGE-TRIGGERED FLIP-FLOPS

REVISED DECEMBER 1980

## schematic of inputs and outputs



absolute maximum ratings over operating free-air temperature range (unless otherwise noted)

Supply voltage, $V_{CC}$ (see Note 1)	7 V
Input voltage	7 V
Off-state output voltage	7 V
Operating free-air temperature range: SN54LS'	-55°C to 125°C
SN74LS'	0°C to 70°C
Storage temperature range	-65°C to 150°C

NOTE 1: Voltage values are with respect to network ground terminal.

## recommended operating conditions

	SN54LS'			SN74LS'			UNIT
	MIN	NOM	MAX	MIN	NOM	MAX	
Supply voltage, $V_{CC}$	4.5	5	5.5	4.75	5	5.25	V
High-level output voltage, $V_{OH}$			5.5			5.5	V
High-level output current, $I_{OH}$			-1			-2.6	mA
Width of clock/enable pulse, $t_w$	High	15		15			ns
	Low	15		15			
Data setup time, $t_{su}$	*LS373	5↓		5↓			ns
	*LS374	20↑		20↑			
Data hold time, $t_h$	*LS373	20↓		20↓			ns
	*LS374	0↑		0↑			
Operating free-air temperature, $T_A$		-55	125	0	70		°C

↑↓ The arrow indicates the transition of the clock/enable input used for reference: ↑ for the low-to-high transition, ↓ for the high-to-low transition.

# TYPES SN54LS373, SN54LS374, SN74LS373, SN74LS374

## OCTAL D-TYPE TRANSPARENT LATCHES AND EDGE-TRIGGERED FLIP-FLOPS

REVISED AUGUST 1977

electrical characteristics over recommended operating free-air temperature range (unless otherwise noted)

PARAMETER	TEST CONDITIONS†	SN54LS*			SN74LS*			UNIT	
		MIN	TYP‡	MAX	MIN	TYP‡	MAX		
V <sub>IH</sub> High-level input voltage		2			2			V	
V <sub>IL</sub> Low-level input voltage		0.7			0.8			V	
V <sub>IK</sub> Input clamp voltage	V <sub>CC</sub> = MIN, I <sub>I</sub> = -18 mA	-1.5			-1.5			V	
V <sub>OH</sub> High-level output voltage	V <sub>CC</sub> = MIN, V <sub>IH</sub> = 2 V, V <sub>IL</sub> = V <sub>ILmax</sub> , I <sub>OH</sub> = MAX	2.4	3.4		2.4	3.1		V	
V <sub>OL</sub> Low-level output voltage	V <sub>CC</sub> = MIN, V <sub>IH</sub> = 2 V, V <sub>IL</sub> = V <sub>ILmax</sub>	I <sub>OL</sub> = 12 mA		0.25	0.4		0.25	0.4	V
		I <sub>OL</sub> = 24 mA				0.35	0.5		
I <sub>OZH</sub> Off-state output current, high-level voltage applied	V <sub>CC</sub> = MAX, V <sub>IH</sub> = 2 V, V <sub>O</sub> = 2.7 V	20			20			μA	
I <sub>OZL</sub> Off-state output current, low-level voltage applied	V <sub>CC</sub> = MAX, V <sub>IH</sub> = 2 V, V <sub>O</sub> = 0.4 V	-20			-20			μA	
I <sub>I</sub> Input current at maximum input voltage	V <sub>CC</sub> = MAX, V <sub>I</sub> = 7 V	0.1			0.1			mA	
I <sub>IH</sub> High-level input current	V <sub>CC</sub> = MAX, V <sub>I</sub> = 2.7 V	20			20			μA	
I <sub>IL</sub> Low-level input current	V <sub>CC</sub> = MAX, V <sub>I</sub> = 0.4 V	-0.4			-0.4			mA	
I <sub>OS</sub> Short-circuit output current§	V <sub>CC</sub> = MAX	-30	-130		-30	-130		mA	
I <sub>CC</sub> Supply current	V <sub>CC</sub> = MAX, Output control at 4.5 V	'LS373		24	40		24	40	mA
		'LS374		27	40		27	40	

† For conditions shown as MIN or MAX, use the appropriate value specified under recommended operating conditions.

‡ All typical values are at V<sub>CC</sub> = 5 V, T<sub>A</sub> = 25°C.

§ Not more than one output should be shorted at a time and duration of the short circuit should not exceed one second.

switching characteristics, V<sub>CC</sub> = 5 V, T<sub>A</sub> = 25°C

PARAMETER	FROM (INPUT)	TO (OUTPUT)	TEST CONDITIONS	'LS373			'LS374			UNIT
				MIN	TYP	MAX	MIN	TYP	MAX	
f <sub>max</sub>			C <sub>L</sub> = 45 pF, R <sub>L</sub> = 667 Ω, See Notes 2 and 3				35	50		MHz
t <sub>PLH</sub>	Data	Any Q		12	18					ns
t <sub>PHL</sub>				12	18					
t <sub>PLH</sub>	Clock or enable	Any Q		20	30		15	28		ns
t <sub>PHL</sub>				18	30		19	28		
t <sub>PZH</sub>	Output Control	Any Q		15	28		20	28		ns
t <sub>PZL</sub>			25	36		21	28			
t <sub>PHZ</sub>	Output Control	Any Q	C <sub>L</sub> = 5 pF, R <sub>L</sub> = 667 Ω, See Note 3	12	20		12	20		ns
t <sub>PLZ</sub>				15	25		14	25		

NOTES: 2. Maximum clock frequency is tested with all outputs loaded.

3. See load circuits and waveforms on page 3-11.

f<sub>max</sub> ≡ maximum clock frequency

t<sub>PLH</sub> ≡ propagation delay time, low-to-high-level output

t<sub>PHL</sub> ≡ propagation delay time, high-to-low-level output

t<sub>PZH</sub> ≡ output enable time to high level

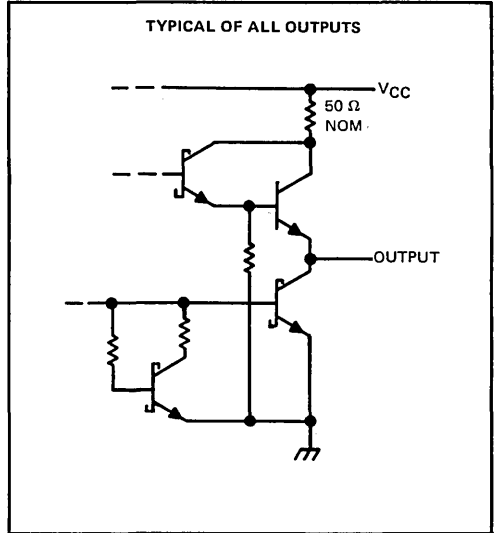
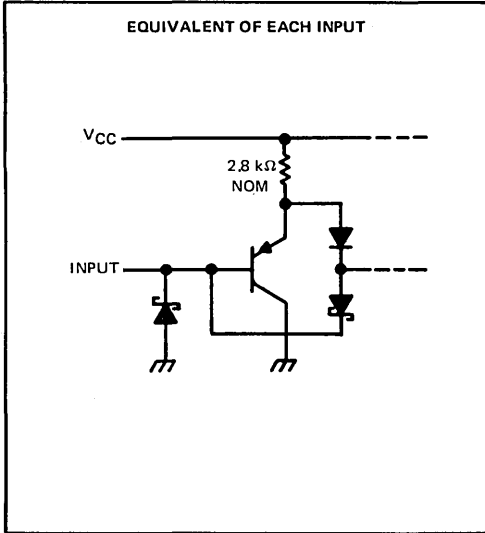
t<sub>PZL</sub> ≡ output enable time to low level

t<sub>PHZ</sub> ≡ output disable time from high level

t<sub>PLZ</sub> ≡ output disable time from low level

# TYPES SN54S373, SN54S374, SN74S373, SN74S374 OCTAL D-TYPE TRANSPARENT LATCHES AND EDGE-TRIGGERED FLIP-FLOPS

schematic of inputs and outputs



absolute maximum ratings over operating free-air temperature range (unless otherwise noted)

Supply voltage, $V_{CC}$ (see Note 1)	7 V
Input voltage	5.5 V
Off-state output voltage	5.5 V
Operating free-air temperature range: SN54S*	-55°C to 125°C
SN74S*	0°C to 70°C
Storage temperature range	-65°C to 150°C

7

NOTE 1: Voltage values are with respect to network ground terminal.

recommended operating conditions

		SN54S*			SN74S*			UNIT
		MIN	NOM	MAX	MIN	NOM	MAX	
Supply voltage, $V_{CC}$		4.5	5	5.5	4.75	5	5.25	V
High-level output voltage, $V_{OH}$				5.5			5.5	V
High-level output current, $I_{OH}$				-2			-6.5	mA
Width of clock/enable pulse, $t_w$	High		6			6		ns
	Low		7.3			7.3		
Data setup time, $t_{BU}$	'S373		0↓			0↓		ns
	'S374		5↑			5↑		
Data hold time, $t_h$	'S373		10↓			10↓		ns
	'S374		2↑			2↑		
Operating free-air temperature, $T_A$		-55		125	0		70	°C

↑↓ The arrow indicates the transition of the clock/enable input used for reference: ↑ for the low-to-high transition, ↓ for the high-to-low transition.

# TYPES SN54S373, SN54S374, SN74S373, SN74S374

## OCTAL D-TYPE TRANSPARENT LATCHES AND EDGE-TRIGGERED FLIP-FLOPS

electrical characteristics over recommended operating free-air temperature range (unless otherwise noted)

PARAMETER		TEST CONDITIONS†		MIN	TYP‡	MAX	UNIT
V <sub>IH</sub>	High-level input voltage			2			V
V <sub>IL</sub>	Low-level input voltage					0.8	V
V <sub>IK</sub>	Input clamp voltage	V <sub>CC</sub> = MIN,	I <sub>I</sub> = -18 mA			-1.2	V
V <sub>OH</sub>	High-level output voltage	SN54S'	V <sub>CC</sub> = MIN, V <sub>IH</sub> = 2 V,	2.4	3.4		V
		SN74S'	V <sub>IL</sub> = 0.8 V, I <sub>OH</sub> = MAX	2.4	3.1		
V <sub>OL</sub>	Low-level output voltage	V <sub>CC</sub> = MIN,	V <sub>IH</sub> = 2 V, V <sub>IL</sub> = 0.8 V, I <sub>OL</sub> = 20 mA			0.5	V
I <sub>OZH</sub>	Off-state output current, high-level voltage applied	V <sub>CC</sub> = MAX,	V <sub>IH</sub> = 2 V, V <sub>O</sub> = 2.4 V			50	μA
I <sub>OZL</sub>	Off-state output current, low-level voltage applied	V <sub>CC</sub> = MAX,	V <sub>IH</sub> = 2 V, V <sub>O</sub> = 0.5 V			-50	μA
I <sub>I</sub>	Input current at maximum input voltage	V <sub>CC</sub> = MAX,	V <sub>I</sub> = 5.5 V			1	mA
I <sub>IH</sub>	High-level input current	V <sub>CC</sub> = MAX,	V <sub>I</sub> = 2.7 V			50	μA
I <sub>IL</sub>	Low-level input current	V <sub>CC</sub> = MAX,	V <sub>I</sub> = 0.5 V			-250	μA
I <sub>OS</sub>	Short-circuit output current§	V <sub>CC</sub> = MAX		-40		-100	mA
I <sub>CC</sub>	Supply current	V <sub>CC</sub> = MAX	'S373		105	160	mA
			'S374		90	140	

† For conditions shown as MIN or MAX, use the appropriate value specified under recommended operating conditions.

‡ All typical values are at V<sub>CC</sub> = 5 V, T<sub>A</sub> = 25°C.

§ Not more than one output should be shorted at a time and duration of the short circuit should not exceed one second.

switching characteristics, V<sub>CC</sub> = 5 V, T<sub>A</sub> = 25°C

PARAMETER	FROM (INPUT)	TO (OUTPUT)	TEST CONDITIONS	'S373			'S374			UNIT
				MIN	TYP	MAX	MIN	TYP	MAX	
f <sub>max</sub>			C <sub>L</sub> = 15 pF, R <sub>L</sub> = 280 Ω, See Notes 2 and 4				75	100		MHz
t <sub>PLH</sub>	Data	Any Q		7	12					ns
t <sub>PHL</sub>				7	12					
t <sub>PLH</sub>	Clock or enable	Any Q		7	14		8	15		ns
t <sub>PHL</sub>				12	18		11	17		
t <sub>PZH</sub>	Output Control	Any Q		8	15		8	15		ns
t <sub>PZL</sub>			11	18		11	18			
t <sub>PHZ</sub>	Output Control	Any Q	C <sub>L</sub> = 5 pF, R <sub>L</sub> = 280 Ω, See Note 3	6	9		5	9	ns	
t <sub>PLZ</sub>				8	12		7	12		

NOTES: 2. Maximum clock frequency is tested with all outputs loaded.

4. See load circuits and waveforms on page 3-10.

f<sub>max</sub> ≡ maximum clock frequency

t<sub>PLH</sub> ≡ propagation delay time, low-to-high-level output

t<sub>PHL</sub> ≡ propagation delay time, high-to-low-level output

t<sub>PZH</sub> ≡ output enable time to high level

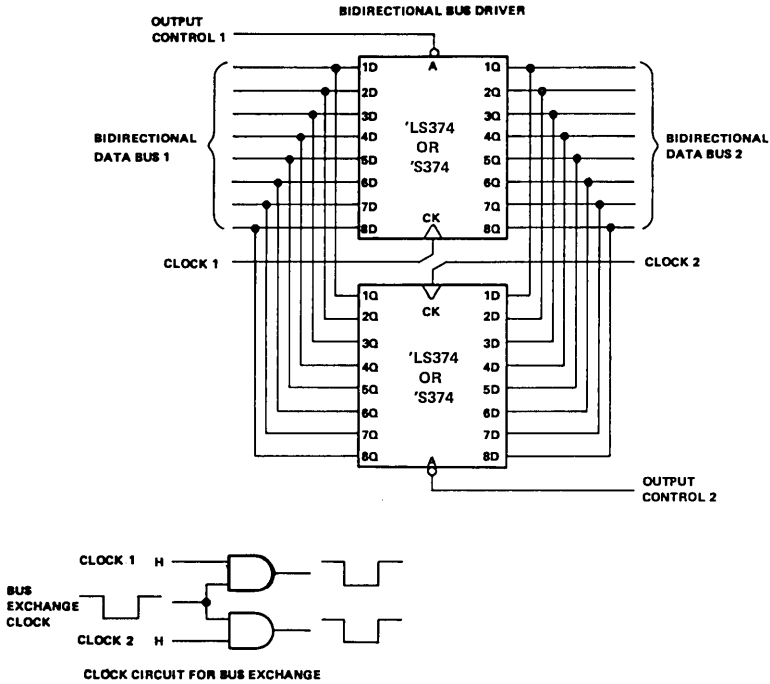
t<sub>PZL</sub> ≡ output enable time to low level

t<sub>PHZ</sub> ≡ output disable time from high level

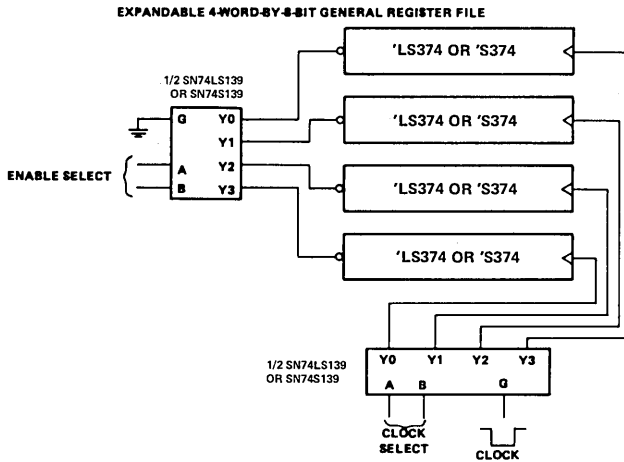
t<sub>PLZ</sub> ≡ output disable time from low level

# TYPES SN54LS374, SN54S374, SN74LS374, SN74S374 OCTAL D-TYPE TRANSPARENT LATCHES AND EDGE-TRIGGERED FLIP-FLOPS

## TYPICAL APPLICATION DATA



7



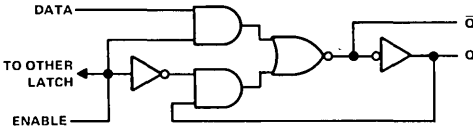
- Supply Voltage and Ground on Corner Pins To Simplify P-C Board Layout  
logic

FUNCTION TABLE  
(EACH LATCH)

INPUTS		OUTPUTS	
D	G	Q	$\bar{Q}$
L	H	L	H
H	H	H	L
X	L	$Q_0$	$\bar{Q}_0$

H = high level, L = low level, X = irrelevant  
 $Q_0$  = the level of Q before the high-to-low transition of G.

functional block diagram (each latch)



description

The SN54LS375 and SN74LS375 bistable latches are electrically and functionally identical to the SN54LS75 and SN74LS75, respectively. Only the arrangement of the terminals has been changed in the SN54LS375 and SN74LS375.

These latches are ideally suited for use as temporary storage for binary information between processing units and input/output or indicator units. Information present at a data (D) input is transferred to the Q output when the enable (G) is high and the Q output will follow the data input as long as the enable remains high. When the enable goes low, the information (that was present at the data input at the time the transition occurred) is retained at the Q output until the enable goes high.

These circuits are completely compatible with all popular TTL or DTL families. All inputs are diode-clamped to minimize transmission-line effects and simplify system design. The SN54LS375 is characterized for operation over the full military temperature range of  $-55^{\circ}\text{C}$  to  $125^{\circ}\text{C}$ ; SN74LS375 is characterized for operation from  $0^{\circ}\text{C}$  to  $70^{\circ}\text{C}$ .

absolute maximum ratings over operating free-air temperature range (unless otherwise noted)

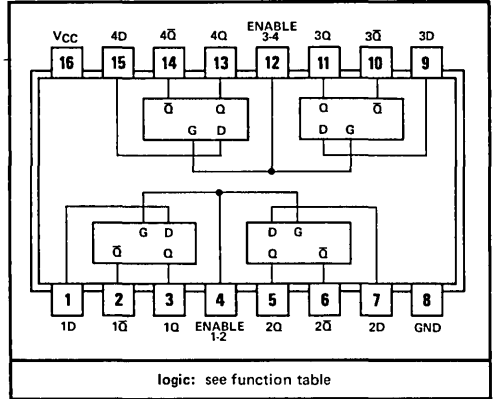
Supply voltage, $V_{CC}$ (see Note 1)	7 V
Input voltage	7 V
Operating free-air temperature range: SN54LS375	$-55^{\circ}\text{C}$ to $125^{\circ}\text{C}$
SN74LS375	$0^{\circ}\text{C}$ to $70^{\circ}\text{C}$
Storage temperature range	$-65^{\circ}\text{C}$ to $150^{\circ}\text{C}$

NOTE 1: Voltage values are with respect to network ground terminal.

recommended operating conditions, electrical characteristics, and switching characteristics

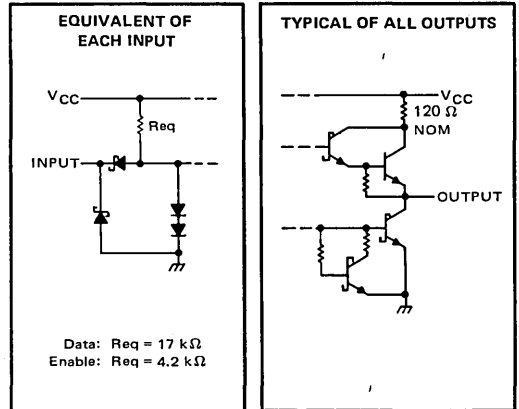
Same as SN54LS75 and SN74LS75, see page 7-39.

SN54LS375 . . . J OR W PACKAGE  
SN74LS375 . . . J OR N PACKAGE  
(TOP VIEW)



logic: see function table

schematics of inputs and outputs



Data: Req = 17 k $\Omega$   
Enable: Req = 4.2 k $\Omega$

- Four J-K̄ Flip-Flops in a Single Package . . . Can Reduce FF Package Count by 50%
- Common Positive-Edge-Triggered Clocks with Hysteresis . . . Typically 200 mV
- Fully Buffered Outputs
- Typical Clock Input Frequency . . . 45 MHz

description

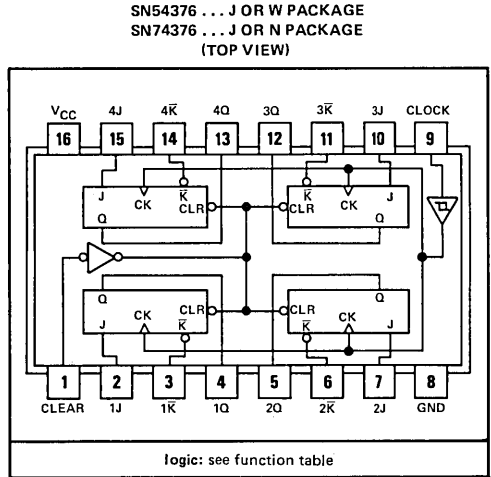
These quadruple TTL J-K̄ flip-flops incorporate a number of third-generation IC features that can simplify system design and reduce flip-flop package count by as much as 50%. They feature hysteresis at the clock input, fully buffered outputs, and direct clear capability. The positive-edge-triggered SN54376 and SN74376 are directly compatible with most Series 54/74 MSI registers.

The SN54376 is characterized for operation over the full military temperature range of -55°C to 125°C; the SN74376 is characterized for operation from 0°C to 70°C.

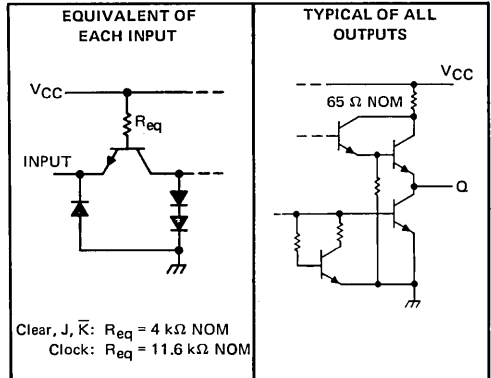
**FUNCTION TABLE (EACH FLIP-FLOP)**

COMMON INPUTS		INPUTS		OUTPUT
CLEAR	CLOCK	J	K̄	Q
L	X	X	X	L
H	↑	L	H	Q <sub>0</sub>
H	↑	H	H	H
H	↑	L	L	L
H	↑	H	L	TOGGLE
H	L	X	X	Q <sub>0</sub>

See explanation of function tables on page 3-8.



schematics of inputs and outputs



absolute maximum ratings over operating free-air temperature range (unless otherwise noted)

Supply voltage, V <sub>CC</sub> (see Note 1)	7 V
Input voltage	5.5 V
Operating free-air temperature range: SN54376	-55°C to 125°C
SN74376	0°C to 70°C
Storage temperature range	-65°C to 150°C

NOTE 1: Voltage values are with respect to network ground terminal.



# TYPES SN54376, SN74376

## QUADRUPLE J-K̄ FLIP-FLOPS

### recommended operating conditions

		SN54376			SN74376			UNIT
		MIN	NOM	MAX	MIN	NOM	MAX	
Supply voltage, $V_{CC}$		4.5	5	5.5	4.75	5	5.25	V
High-level output current, $I_{OH}$		-800			-800			$\mu$ A
Low-level output current, $I_{OL}$		16			16			mA
Clock frequency		30			30			MHz
Pulse width, $t_w$	Clock high	22			22			ns
	Clock low	12			12			
	Preset or clear low	12			12			
Setup time, $t_{su}$	J, K inputs	0†			0†			ns
	Clear inactive state	10†			10†			
Input hold time, $t_h$		20†			20†			ns
Operating free-air temperature, $T_A$		55	125		0	70		°C

† The arrow indicates the edge of the clock pulse used for reference: † for the rising edge, ‡ for the falling edge.

### electrical characteristics over recommended operating free-air temperature range (unless otherwise noted)

PARAMETER		TEST CONDITIONS†	MIN	TYP‡	MAX	UNIT
$V_{IH}$	High-level input voltage		2			V
$V_{IL}$	Low-level input voltage				0.8	V
$V_{IK}$	Input clamp voltage	$V_{CC} = \text{MIN}, I_I = -12 \text{ mA}$			-1.5	V
$V_{OH}$	High-level output voltage	$V_{CC} = \text{MIN}, V_{IH} = 2 \text{ V}, V_{IL} = 0.8 \text{ V}, I_{OH} = -800 \mu\text{A}$	2.4	3.4		V
$V_{OL}$	Low-level output voltage	$V_{CC} = \text{MIN}, V_{IH} = 2 \text{ V}, V_{IL} = 0.8 \text{ V}, I_{OL} = 16 \text{ mA}$		0.2	0.4	V
$I_I$	Input current at maximum input voltage	$V_{CC} = \text{MAX}, V_I = 5.5 \text{ V}$			1	mA
$I_{IH}$	High-level input current	$V_{CC} = \text{MAX}, V_I = 2.4 \text{ V}$			40	$\mu$ A
$I_{IL}$	Low-level input current	$V_{CC} = \text{MAX}, V_I = 0.4 \text{ V}$			-1.6	mA
$I_{OS}$	Short-circuit output current§	$V_{CC} = \text{MAX}$	-30		-85	mA
$I_{CC}$	Supply current	$V_{CC} = \text{MAX}$		52	74	mA

† For conditions shown as MIN or MAX, use the appropriate value specified under recommended operating conditions.

‡ All typical values are at  $V_{CC} = 5 \text{ V}, T_A = 25^\circ\text{C}$ .

§ Not more than one output should be shorted at a time.

### switching characteristics, $V_{CC} = 5 \text{ V}, T_A = 25^\circ\text{C}$

PARAMETER		TEST CONDITIONS	MIN	TYP	MAX	UNIT
$f_{max}$	Maximum clock frequency	$C_L = 15 \text{ pF}, R_L = 400 \Omega,$ See Note 2	30	45		MHz
$t_{PHL}$	Propagation delay time, high-to-low-level output from clear		17	30		ns
$t_{PLH}$	Propagation delay time, low-to-high-level output from clock		22	35		ns
$t_{PHL}$	Propagation delay time, high-to-low-level output from clock		24	35		ns

NOTE 2: Load circuit and voltage waveforms are shown on page 3-10.

# TYPES SN54LS377, SN54LS378, SN54LS379, SN74LS377, SN74LS378, SN74LS379 OCTAL, HEX, AND QUAD D-TYPE FLIP-FLOPS WITH ENABLE

BULLETIN NO. DL-S 7612474, OCTOBER 1976

- 'LS377 and 'LS378 Contain Eight and Six Flip-Flops, Respectively, with Single-Rail Outputs
- 'LS379 Contains Four Flip-Flops with Double-Rail Outputs
- Individual Data Input to Each Flip-Flop
- Applications Include:  
Buffer/Storage Registers  
Shift Registers  
Pattern Generators

## description

These monolithic, positive-edge-triggered flip-flops utilize TTL circuitry to implement D-type flip-flop logic with an enable input. The 'LS377, 'LS378, and 'LS379 devices are similar to 'LS273, 'LS174, and 'LS175, respectively, but feature a common enable instead of a common clear.

Information at the D inputs meeting the setup time requirements is transferred to the Q outputs on the positive-going edge of the clock pulse if the enable input  $\bar{G}$  is low. Clock triggering occurs at a particular voltage level and is not directly related to the transition time of the positive-going pulse. When the clock input is at either the high or low level, the D input signal has no effect at the output. The circuits are designed to prevent false clocking by transitions at the  $\bar{G}$  input.

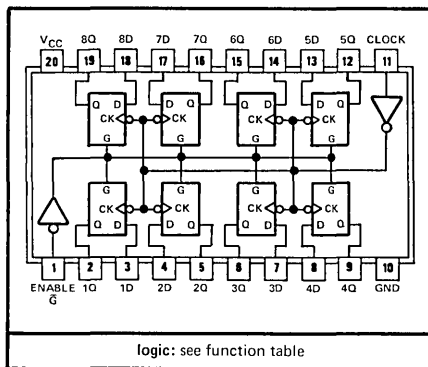
These flip-flops are guaranteed to respond to clock frequencies ranging from 0 to 30 MHz while maximum clock frequency is typically 40 megahertz. Typical power dissipation is 10 milliwatts per flip-flop.

FUNCTION TABLE  
(EACH FLIP-FLOP)

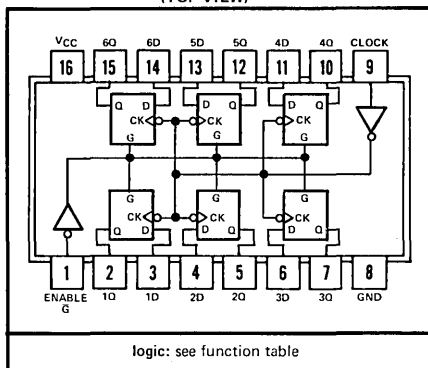
INPUTS			OUTPUTS	
$\bar{G}$	CLOCK	DATA	Q	$\bar{Q}$
H	X	X	Q <sub>0</sub>	$\bar{Q}$ <sub>0</sub>
L	↑	H	H	L
L	↑	L	L	H
X	L	X	Q <sub>0</sub>	$\bar{Q}$ <sub>0</sub>

See explanation of function tables on page 3-8.

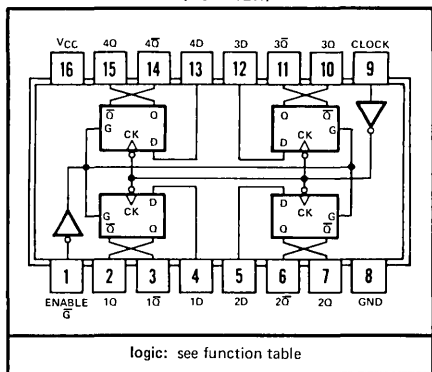
SN54LS377 . . . J PACKAGE  
SN74LS377 . . . J OR N PACKAGE  
(TOP VIEW)



SN54LS378 . . . J OR W PACKAGE  
SN74LS378 . . . J OR N PACKAGE  
(TOP VIEW)

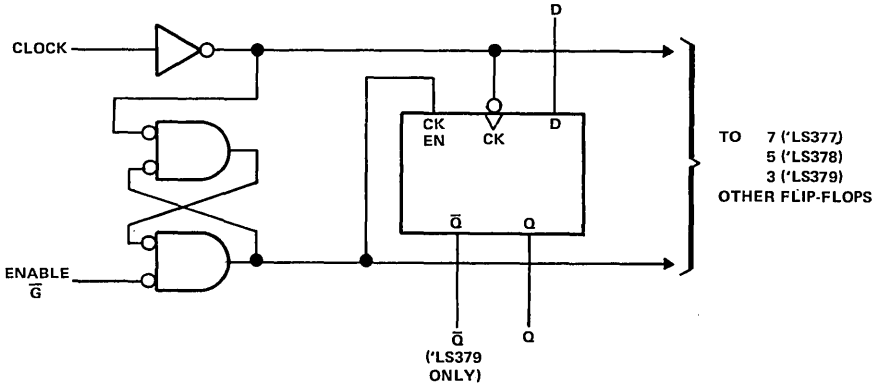


SN54LS379 . . . J OR W PACKAGE  
SN74LS379 . . . J OR N PACKAGE  
(TOP VIEW)

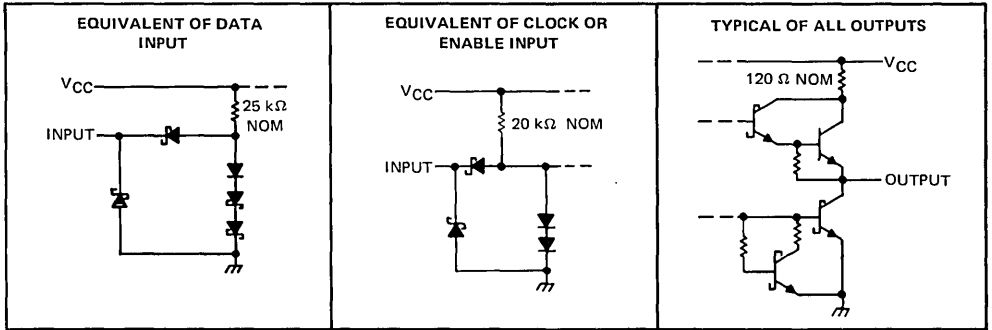


# TYPES SN54LS377, SN54LS378, SN54LS379, SN74LS377, SN74LS378, SN74LS379 OCTAL, HEX, AND QUAD D-TYPE FLIP-FLOPS WITH ENABLE

functional block diagram



schematics of inputs and outputs



absolute maximum rating over operating free-air temperature range (unless otherwise noted)

Supply voltage, $V_{CC}$ (see Note 1)	7 V
Input voltage	7 V
Operating free-air temperature range: SN54LS'	-55°C to 125°C
SN74LS'	0°C to 70°C
Storage temperature range	-65°C to 150°C

NOTE 1: Voltage values are with respect to network ground terminal.

# TYPES SN54LS377, SN54LS378, SN54LS379, SN74LS377, SN74LS378, SN74LS379 OCTAL, HEX, AND QUAD D-TYPE FLIP-FLOPS WITH ENABLE

## recommended operating conditions

	SN54LS'			SN74LS'			UNIT
	MIN	NOM	MAX	MIN	NOM	MAX	
Supply voltage, $V_{CC}$	4.5	5	5.5	4.75	5	5.25	V
High-level output current, $I_{OH}$	-400			-400			$\mu$ A
Low-level output current, $I_{OL}$	4			8			mA
Clock frequency, $f_{clock}$	0			30			MHz
Width of clock or clear pulse, $t_w$	20			20			ns
Setup time, $t_{su}$	Data input		20†	Data input		20†	ns
	Enable active-state		25†	Enable active-state		25†	
	Enable inactive-state		10†	Enable inactive-state		10†	
Hold time, $t_h$	Data and enable		5†	Data and enable		5†	ns
Operating free-air temperature, $T_A$	-55		125	0		70	$^{\circ}$ C

† The arrow indicates that the rising edge of the clock pulse is used for reference.

## electrical characteristics over recommended operating free-air temperature range (unless otherwise noted)

PARAMETER	TEST CONDITIONS†	SN54LS'			SN74LS'			UNIT
		MIN	TYP‡	MAX	MIN	TYP‡	MAX	
$V_{IH}$ High-level input voltage		2			2			V
$V_{IL}$ Low-level input voltage		0.7			0.8			V
$V_{IK}$ Input clamp voltage	$V_{CC} = \text{MIN}, I_I = -18 \text{ mA}$	-1.5			-1.5			V
$V_{OH}$ High-level output voltage	$V_{CC} = \text{MIN}, V_{IH} = 2 \text{ V},$ $V_{IL} = V_{IL \text{ max}}, I_{OH} = -400 \mu\text{A}$	2.5	3.5		2.7	3.5		V
	$V_{CC} = \text{MIN}, V_{IH} = 2 \text{ V},$ $V_{IL} = V_{IL \text{ max}}$							V
$V_{OL}$ Low-level output voltage	$I_{OL} = 4 \text{ mA}$	0.25	0.4		0.25	0.4		V
	$I_{OL} = 8 \text{ mA}$				0.35	0.5		V
$I_I$ Input current at maximum input voltage	$V_{CC} = \text{MAX}, V_I = 7 \text{ V}$	0.1			0.1			mA
$I_{IH}$ High-level input current	$V_{CC} = \text{MAX}, V_I = 2.7 \text{ V}$	20			20			$\mu$ A
$I_{IL}$ Low-level input current	$V_{CC} = \text{MAX}, V_I = 0.4 \text{ V}$	-0.4			-0.4			mA
$I_{OS}$ Short-circuit output current§	$V_{CC} = \text{MAX}$	-20	-100		-20	-100		mA
								mA
$I_{CC}$ Supply current	$V_{CC} = \text{MAX},$ See Note 2	'LS377	17	28	17	28		mA
		'LS378	13	22	13	22		mA
		'LS379	9	15	9	15		mA

† For conditions shown as MIN or MAX, use the appropriate value specified under recommended operating conditions.

‡ All typical values are at  $V_{CC} = 5 \text{ V}, T_A = 25^{\circ}\text{C}$ .

§ Note more than one input should be shorted at a time, and duration of the short-circuit should not exceed one second.

NOTE 2: With all outputs open and ground applied to all data and enable inputs,  $I_{CC}$  is measured after a momentary ground, then 4.5 V, is applied to clock.

## switching characteristics, $V_{CC} = 5 \text{ V}, T_A = 25^{\circ}\text{C}$

PARAMETER	TEST CONDITIONS	MIN	TYP	MAX	UNIT
$f_{max}$ Maximum clock frequency	$C_L = 15 \text{ pF},$ $R_L = 2 \text{ k}\Omega$	30	40		MHz
$t_{PLH}$ Propagation delay time, low-to-high-level output from clock	See Note 3		17	27	ns
$t_{PHL}$ Propagation delay time, high-to-low-level output from clock	See Note 3		18	27	ns

NOTE 3: Load circuit and voltage waveforms are shown on page 3-11.



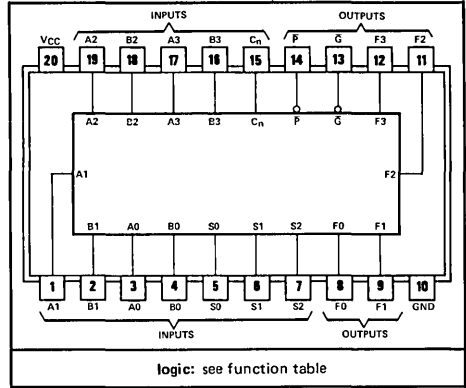
**TYPES SN54S381, SN74S381**  
**ARITHMETIC LOGIC UNIT/FUNCTION GENERATOR**

BULLETIN NO. DL-S 7712124, MARCH 1974—REVISED AUGUST 1977

PIN DESIGNATIONS

DESIGNATION	PIN NOS.	FUNCTION
A3, A2, A1, A0	17, 19, 1, 3	WORD A INPUTS
B3, B2, B1, B0	16, 18, 2, 4	WORD B INPUTS
S2, S1, S0	7, 6, 5	FUNCTION-SELECT INPUTS
C <sub>n</sub>	15	CARRY INPUT FOR ADDITION, INVERTED CARRY INPUT FOR SUBTRACTION
F3, F2, F1, F0	12, 11, 9, 8	FUNCTION OUTPUTS
$\bar{P}$	14	INVERTED CARRY PROPAGATE OUTPUT
$\bar{G}$	13	INVERTED CARRY GENERATE OUTPUT
V <sub>CC</sub>	20	SUPPLY VOLTAGE
GND	10	GROUND

SN54S381 ... J PACKAGE  
SN74S381 ... J OR N PACKAGE  
(TOP VIEW)



- A Fully Parallel 4-Bit ALU in 20-Pin Package for 0.300-Inch Row Spacing
- Ideally Suited for High-Density Economical Processors
- Parallel Inputs and Outputs and Full Look-Ahead Provide System Flexibility
- Arithmetic and Logic Operations Selected Specifically to Simplify System Implementation:
  - A Minus B
  - B Minus A
  - A Plus B
  - and Five Other Functions
- Schottky-Clamped for High Performance
  - 16-Bit Add Time ... 26 ns Typ Using Look-Ahead
  - 32-Bit Add Time ... 34 ns Typ Using Look-Ahead

FUNCTION TABLE

SELECTION	ARITHMETIC/LOGIC OPERATION		
S2	S1	S0	OPERATION
L	L	L	CLEAR
L	L	H	B MINUS A
L	H	L	A MINUS B
L	H	H	A PLUS B
H	L	L	A ⊕ B
H	L	H	A + B
H	H	L	AB
H	H	H	PRESET

H = high level, L = low level

description

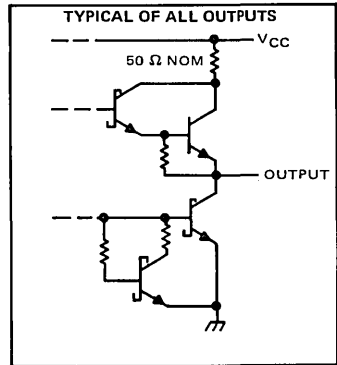
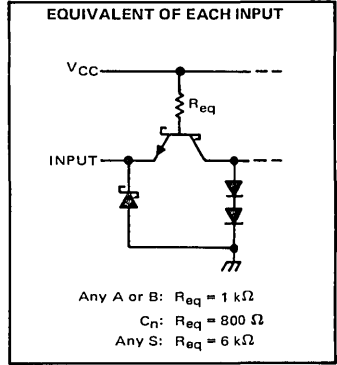
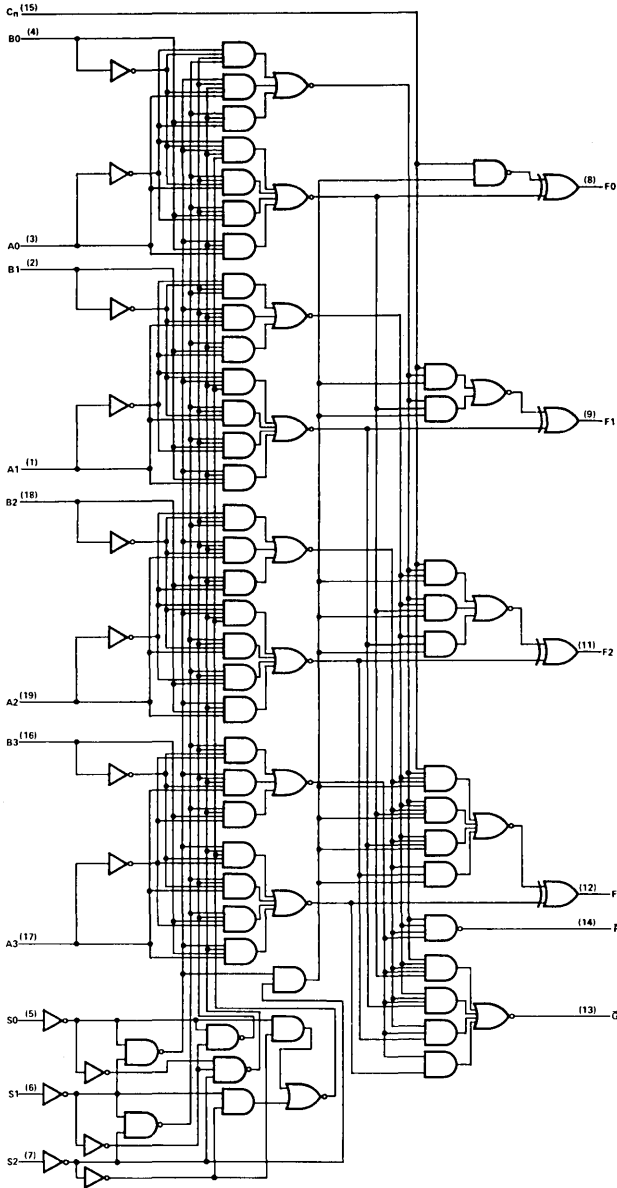
The 'S381 is a Schottky TTL arithmetic logic unit (ALU)/function generator that performs eight binary arithmetic/logic operations on two 4-bit words as shown in the function table. These operations are selected by the three function-select lines (S0, S1, S2). A full carry look-ahead circuit is provided for fast, simultaneous carry generation by means of two cascade outputs ( $\bar{P}$  and  $\bar{G}$ ) for the four bits in the package. The method of cascading SN54182/SN74182 or SN54S182/SN74S182 look-ahead carry generators with these ALU's to provide multi-level full carry look-ahead is illustrated under typical applications data for the '182 and 'S182. The typical addition times shown above illustrate the short delay time required for addition of longer words when full look-ahead is employed. The exclusive-OR, AND, or OR function of two Boolean variables is provided without the use of external circuitry. Also, the outputs can be either cleared (low) or preset (high) as desired.

# TYPES SN54S381, SN74S381

## ARITHMETIC LOGIC UNIT/FUNCTION GENERATOR

REVISED DECEMBER 1980

functional block diagram and schematics of inputs and outputs



7

# TYPES SN54S381, SN74S381

## ARITHMETIC LOGIC UNITS/FUNCTION GENERATORS

REVISED OCTOBER 1976

### absolute maximum ratings over operating free-air temperature range (unless otherwise noted)

Supply voltage, $V_{CC}$ (see Note 1)	7 V
Input voltage	5.5 V
Interemitter voltage (see Note 2)	5.5 V
Operating free-air temperature range: SN54S381	-55°C to 125°C
SN74S381	0°C to 70°C
Storage free-air temperature range	-65°C to 150°C

NOTES: 1. Voltage values, except interemitter voltage, are with respect to network ground terminal.  
 2. This is the voltage between two emitters of a multiple-emitter transistor. For this circuit, this rating applies to each A input in conjunction with its respective B input; for example A0 with B0, etc.

### recommended operating conditions

	SN54S381			SN74S381			UNIT
	MIN	NOM	MAX	MIN	NOM	MAX	
Supply voltage, $V_{CC}$	4.5	5	5.5	4.75	5	5.25	V
High-level output current, $I_{OH}$			-1			-1	mA
Low-level output current, $I_{OL}$			20			20	mA
Operating free-air temperature, $T_A$	-65		125	0		70	°C

### electrical characteristics over recommended operating free-air temperature range (unless otherwise noted)

PARAMETER		TEST CONDITIONS†	MIN	TYP‡	MAX	UNIT
$V_{IH}$	High-level input voltage			2		
$V_{IL}$	Low-level input voltage				0.8	V
$V_{IK}$	Input clamp voltage	$V_{CC} = \text{MIN}, I_I = -18 \text{ mA}$			-1.2	V
$V_{OH}$	High-level output voltage	SN54S381	$V_{CC} = \text{MIN}, V_{IH} = 2 \text{ V},$	2.4	3.4	V
		SN74S381	$V_{IL} = 0.8 \text{ V}, I_{OH} = -1 \text{ mA}$	2.7	3.4	
$V_{OL}$	Low-level output voltage	$V_{CC} = \text{MIN}, V_{IH} = 2 \text{ V},$ $V_{IL} = 0.8 \text{ V}, I_{OL} = 20 \text{ mA}$			0.5	V
$I_I$	Input current at maximum input voltage	$V_{CC} = \text{MAX}, V_I = 5.5 \text{ V}$			1	mA
$I_{IH}$	High-level input current	Any S input	$V_{CC} = \text{MAX}, V_I = 2.7 \text{ V}$		50	$\mu\text{A}$
		$C_n$			250	
		All others			200	
$I_{IL}$	Low-level input current	Any S input	$V_{CC} = \text{MAX}, V_I = 0.5 \text{ V}$		-2	mA
		$C_n$			-8	
		All others			-6	
$I_{OS}$	Short-circuit output current§	$V_{CC} = \text{MAX}$	-40		-100	mA
$I_{CC}$	Supply current	$V_{CC} = \text{MAX}$		105	160	mA

† For conditions shown as MIN or MAX, use the appropriate value specified under recommended operating conditions.

‡ All typical values are at  $V_{CC} = 5 \text{ V}, T_A = 25^\circ\text{C}$ .

§ Not more than one output should be shorted at a time.

### switching characteristics, $V_{CC} = 5 \text{ V}, T_A = 25^\circ\text{C}$

PARAMETER¶	FROM (INPUT)	TO (OUTPUT)	TEST CONDITIONS	MIN	TYP	MAX	UNIT
$t_{PLH}$	$C_n$	Any F	$C_L = 15 \text{ pF}, R_L = 280 \Omega,$ See Note 3		10	17	ns
$t_{PHL}$					10	17	
$t_{PLH}$	Any A or B	$\bar{G}$			12	20	ns
$t_{PHL}$					12	20	
$t_{PLH}$	Any A or B	$\bar{P}$			11	18	ns
$t_{PHL}$					11	18	
$t_{PLH}$	$A_i$ or $B_i$	$F_i$			18	27	ns
$t_{PHL}$					16	25	
$t_{PLH}$	Any S	Any			18	30	ns
$t_{PHL}$					18	30	

¶  $t_{PLH}$  ≡ propagation delay time, low-to-high-level output

$t_{PHL}$  ≡ propagation delay time, high-to-low-level output

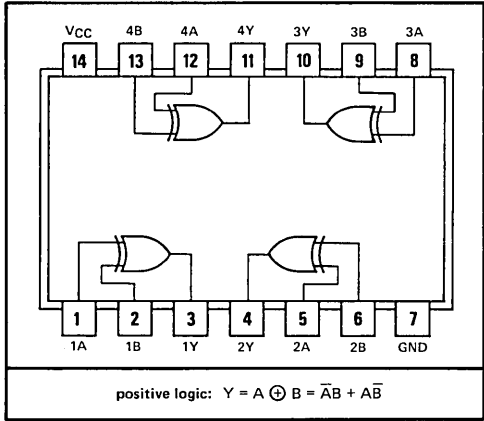
NOTE 3: Load circuit and voltage waveforms are shown on page 3-10.

TTL  
MSI

# TYPES SN54LS386, SN74LS386 QUADRUPLE 2-INPUT EXCLUSIVE-OR GATES

BULLETIN NO. DL-S 7612118, MARCH 1974—REVISED OCTOBER 1976

SN54LS386 . . . J OR W PACKAGE  
SN74LS386 . . . J OR N PACKAGE  
(TOP VIEW)



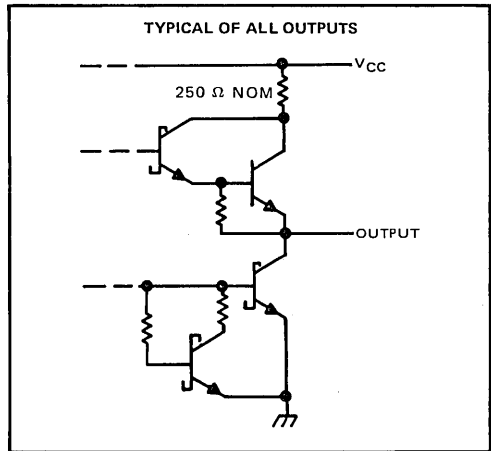
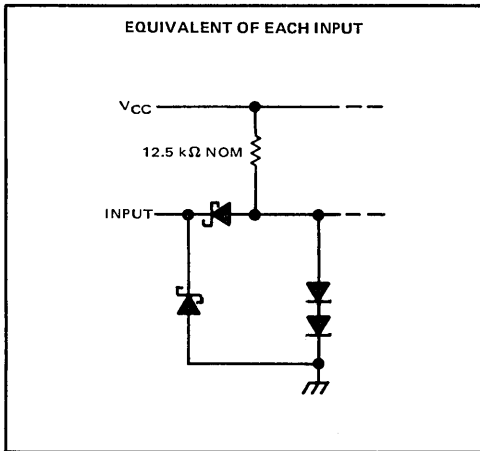
- Electrically Identical to SN54LS86/SN74LS86
- Mechanically Identical to SN54L86/SN74L86
- Total Average Propagation Delay Times . . . 10 ns
- Typical Total Power Dissipation . . . 30.5 mW

FUNCTION TABLE  
(EACH GATE)

INPUTS		OUTPUT
A	B	
L	L	L
L	H	H
H	L	H
H	H	L

H = high level  
L = low level

### schematics of inputs and outputs





# TYPES SN54LS386, SN74LS386

## QUADRUPLE 2-INPUT EXCLUSIVE-OR GATES

REVISED OCTOBER 1976

absolute maximum ratings over operating free-air temperature range (unless otherwise noted)

Supply voltage, $V_{CC}$ (see Note 1)	7 V
Input voltage	7 V
Operating free-air temperature range: SN54LS386	-55°C to 125°C
SN74LS386	0°C to 70°C
Storage temperature range	-65°C to 150°C

NOTE 1: Voltage values are with respect to network ground terminal.

recommended operating conditions

	SN54LS386			SN74LS386			UNIT
	MIN	NOM	MAX	MIN	NOM	MAX	
Supply voltage, $V_{CC}$	4.5	5	5.5	4.75	5	5.25	V
High-level output current, $I_{OH}$			-400			-400	$\mu$ A
Low-level output current, $I_{OL}$			4			8	mA
Operating free-air temperature, $T_A$	-55		125	0		70	°C

electrical characteristics over recommended operating free-air temperature range (unless otherwise noted)

PARAMETER	TEST CONDITIONS†	SN54LS386			SN74LS386			UNIT
		MIN	TYP‡	MAX	MIN	TYP‡	MAX	
$V_{IH}$ High-level input voltage		2			2			V
$V_{IL}$ Low-level input voltage				0.7			0.8	V
$V_{IK}$ Input clamp voltage	$V_{CC} = \text{MIN}$ , $I_I = -18 \text{ mA}$			-1.5			-1.5	V
$V_{OH}$ High-level output voltage	$V_{CC} = \text{MIN}$ , $V_{IH} = 2 \text{ V}$ , $V_{IL} = V_{IL \text{ max}}$ , $I_{OH} = -400 \mu\text{A}$	2.5	3.4		2.7	3.4		V
$V_{OL}$ Low-level output voltage	$V_{CC} = \text{MIN}$ , $V_{IH} = 2 \text{ V}$ , $V_{IL} = V_{IL \text{ max}}$ , $I_{OL} = 4 \text{ mA}$		0.25	0.4		0.25	0.4	V
	$V_{IL} = V_{IL \text{ max}}$ , $I_{OL} = 8 \text{ mA}$					0.35	0.5	
$I_I$ Input current at maximum input voltage	$V_{CC} = \text{MAX}$ , $V_I = 7 \text{ V}$			0.2			0.2	mA
$I_{IH}$ High-level input current	$V_{CC} = \text{MAX}$ , $V_I = 2.7 \text{ V}$			40			40	$\mu$ A
$I_{IL}$ Low-level input current	$V_{CC} = \text{MAX}$ , $V_I = 0.4 \text{ V}$			-0.8			-0.8	mA
$I_{OS}$ Short-circuit output current§	$V_{CC} = \text{MAX}$	-6		-40	-5		-42	mA
$I_{CC}$ Supply current	$V_{CC} = \text{MAX}$ , See Note 2		6.1	10		6.1	10	mA

†For conditions shown as MIN or MAX, use the appropriate value specified under recommended operating conditions.

‡All typical values are at  $V_{CC} = 5 \text{ V}$ ,  $T_A = 25^\circ\text{C}$ .

§Not more than one output should be shorted at a time.

NOTE 2:  $I_{CC}$  is measured with the inputs grounded and the outputs open.

switching characteristics,  $V_{CC} = 5 \text{ V}$ ,  $T_A = 25^\circ\text{C}$

PARAMETER¶	FROM (INPUT)	TEST CONDITIONS		MIN	TYP	MAX	UNIT
$t_{PLH}$	A or B	Other input low	$C_L = 15 \text{ pF}$ , $R_L = 2 \text{ k}\Omega$ , See Note 3		12	23	ns
$t_{PHL}$				10	17		
$t_{PLH}$	A or B	Other input high	See Note 3		20	30	ns
$t_{PHL}$				13	22		

¶ $t_{PLH}$   $\equiv$  propagation delay time, low-to-high-level output

$t_{PHL}$   $\equiv$  propagation delay time, high-to-low-level output

NOTE 3: Load circuit and voltage waveforms are shown on page 3-11.

# TYPES SN54390, SN54LS390, SN54393, SN54LS393, SN74390, SN74LS390, SN74393, SN74LS393 DUAL 4-BIT DECADE AND BINARY COUNTERS

BULLETIN NO. DL-S 7612099, OCTOBER 1976

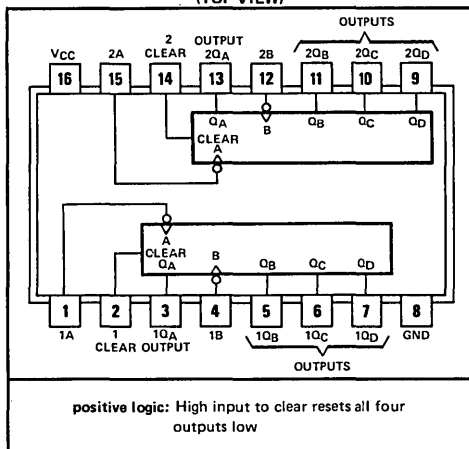
- Dual Versions of the Popular '90A, 'LS90 and '93A, 'LS93
- '390, 'LS390. . . Individual Clocks for A and B Flip-Flops Provide Dual  $\div 2$  and  $\div 5$  Counters
- '393, 'LS393. . . Dual 4-Bit Binary Counter with Individual Clocks
- All Have Direct Clear for Each 4-Bit Counter
- Dual 4-Bit Versions Can Significantly Improve System Densities by Reducing Counter Package Count by 50%
- Typical Maximum Count Frequency . . . 35 MHz
- Buffered Outputs Reduce Possibility of Collector Commutation

description

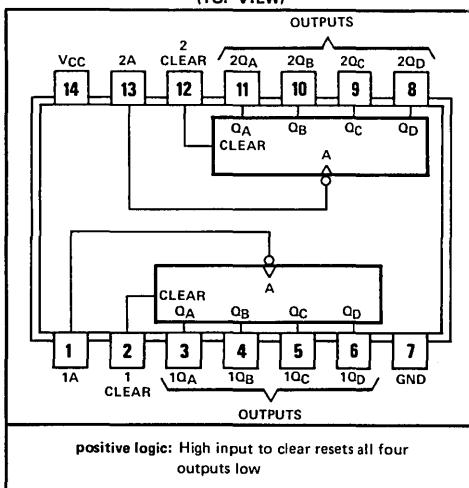
Each of these monolithic circuits contains eight master-slave flip-flops and additional gating to implement two individual four-bit counters in a single package. The '390 and 'LS390 incorporate dual divide-by-two and divide-by-five counters, which can be used to implement cycle lengths equal to any whole and/or cumulative multiples of 2 and/or 5 up to divide-by-100. When connected as a bi-quinary counter, the separate divide-by-two circuit can be used to provide symmetry (a square wave) at the final output stage. The '393 and 'LS393 each comprise two independent four-bit binary counters each having a clear and a clock input. N-bit binary counters can be implemented with each package providing the capability of divide-by-256. The '390, 'LS390, '393, and 'LS393 have parallel outputs from each counter stage so that any submultiple of the input count frequency is available for system-timing signals.

Series 54 and Series 54LS circuits are characterized for operation over the full military temperature range of  $-55^{\circ}\text{C}$  to  $125^{\circ}\text{C}$ ; Series 74 and Series 74LS circuits are characterized for operation from  $0^{\circ}\text{C}$  to  $70^{\circ}\text{C}$ .

SN54390, SN54LS390 . . . J OR W PACKAGE  
SN74390, SN74LS390 . . . J OR N PACKAGE  
(TOP VIEW)



SN54393, SN54LS393 . . . J OR W PACKAGE  
SN74393, SN54LS393 . . . J OR N PACKAGE  
(TOP VIEW)



7

# TYPES SN54390, SN54LS390, SN54393, SN54LS393, SN74390, SN74LS390, SN74393, SN74LS393 DUAL 4-BIT DECADE AND BINARY COUNTERS

'390, 'LS390  
BCD COUNT SEQUENCE  
(EACH COUNTER)  
(See Note A)

COUNT	OUTPUT			
	Q <sub>D</sub>	Q <sub>C</sub>	Q <sub>B</sub>	Q <sub>A</sub>
0	L	L	L	L
1	L	L	L	H
2	L	L	H	L
3	L	L	H	H
4	L	H	L	L
5	L	H	L	H
6	L	H	H	L
7	L	H	H	H
8	H	L	L	L
9	H	L	L	H

FUNCTION TABLES  
'390, 'LS390  
BI-QUINARY (5-2)  
(EACH COUNTER)  
(See Note B)

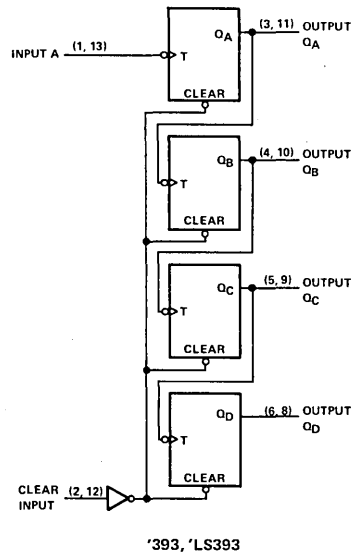
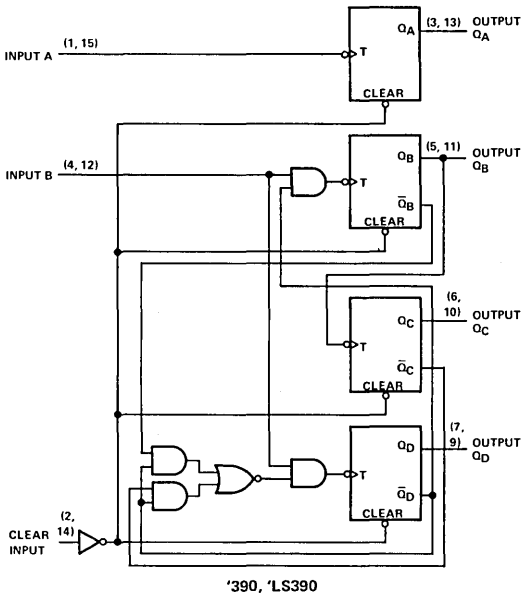
COUNT	OUTPUT			
	Q <sub>A</sub>	Q <sub>D</sub>	Q <sub>C</sub>	Q <sub>B</sub>
0	L	L	L	L
1	L	L	L	H
2	L	L	H	L
3	L	L	H	H
4	L	H	L	L
5	H	L	L	L
6	H	L	L	H
7	H	L	H	L
8	H	L	H	H
9	H	H	L	L

'393, 'LS393  
COUNT SEQUENCE  
(EACH COUNTER)

COUNT	OUTPUT			
	Q <sub>D</sub>	Q <sub>C</sub>	Q <sub>B</sub>	Q <sub>A</sub>
0	L	L	L	L
1	L	L	L	H
2	L	L	H	L
3	L	L	H	H
4	L	H	L	L
5	L	H	L	H
6	L	H	H	L
7	L	H	H	H
8	H	L	L	L
9	H	L	L	H
10	H	L	H	L
11	H	L	H	H
12	H	H	L	L
13	H	H	L	H
14	H	H	H	L
15	H	H	H	H

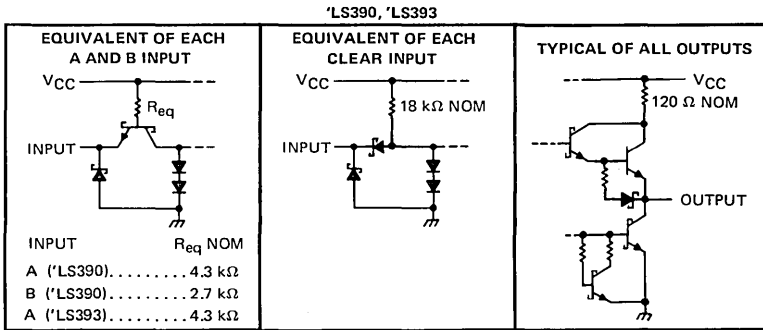
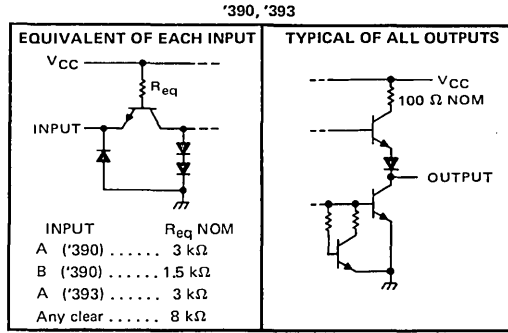
NOTES: A. Output Q<sub>A</sub> is connected to input B for BCD count.  
B. Output Q<sub>D</sub> is connected to input A for bi-quinary count.  
C. H = high level, L = low level.

## functional block diagrams



# TYPES SN54390, SN54LS390, SN54393, SN54LS393, SN74390, SN74LS390, SN74393, SN74LS393 DUAL 4-BIT DECADE AND BINARY COUNTERS

schematics of inputs and outputs



7

# TYPES SN54390, SN54393, SN74390, SN74393

## DUAL 4-BIT DECADE AND BINARY COUNTERS

absolute maximum ratings over operating free-air temperature range (unless otherwise noted)

Supply voltage, $V_{CC}$ (see Note 1)	7 V
Input voltage	5.5 V
Operating free-air temperature range: SN54390, SN54393	-55°C to 125°C
SN74390, SN74393	0°C to 70°C
Storage temperature range	-65°C to 150°C

NOTE 1: Voltage values are with respect to network ground terminal.

recommended operating conditions

		SN54390 SN54393			SN74390 SN74393			UNIT
		MIN	NOM	MAX	MIN	NOM	MAX	
Supply voltage, $V_{CC}$		4.5	5	5.5	4.75	5	5.25	V
High-level output current, $I_{OH}$		-800			-800			$\mu$ A
Low-level output current, $I_{OL}$		16			16			mA
Count frequency, $f_{count}$	A input	0	25		0	25		MHz
	B input	0	20		0	20		
Pulse width, $t_w$	A input high or low	20			20			ns
	B input high or low	25			25			
	Clear high	20			20			
Clear inactive-state setup time, $t_{su}$		25 $\downarrow$			25 $\downarrow$			ns
Operating free-air temperature, $T_A$		-55		125	0		70	°C

$\downarrow$  The arrow indicates that the falling edge of the clock pulse is used for reference.

electrical characteristics over recommended operating free-air temperature range (unless otherwise noted)

PARAMETER		TEST CONDITIONS <sup>†</sup>	'390			'393			UNIT		
			MIN	TYP <sup>‡</sup>	MAX	MIN	TYP <sup>‡</sup>	MAX			
$V_{IH}$	High-level input voltage		2			2			V		
$V_{IL}$	Low-level input voltage		0.8			0.8			V		
$V_{IK}$	Input clamp voltage	$V_{CC} = \text{MIN}$ , $I_I = -12 \text{ mA}$	-1.5			-1.5			V		
$V_{OH}$	High-level output voltage	$V_{CC} = \text{MIN}$ , $V_{IH} = 2 \text{ V}$ , $V_{IL} = 0.8 \text{ V}$ , $I_{OH} = -800 \mu\text{A}$	2.4	3.4		2.4	3.4		V		
$V_{OL}$	Low-level output voltage	$V_{CC} = \text{MIN}$ , $V_{IH} = 2 \text{ V}$ , $V_{IL} = 0.8 \text{ V}$ , $I_{OL} = 16 \text{ mA}$ <sup>¶</sup>	0.2	0.4		0.2	0.4		V		
$I_I$	Input current at maximum input voltage	$V_{CC} = \text{MAX}$ , $V_I = 5.5 \text{ V}$	1			1			mA		
$I_{IH}$	High-level input current	Clear Input A Input B	$V_{CC} = \text{MAX}$ , $V_I = 2.4 \text{ V}$		40			40			$\mu$ A
					80			80			
					120			120			
$I_{IL}$	Low-level input current	Clear Input A Input B	$V_{CC} = \text{MAX}$ , $V_I = 0.4 \text{ V}$		-1			-1			mA
					-3.2			-3.2			
					-4.8			-4.8			
$I_{OS}$	Short-circuit output current <sup>§</sup>	$V_{CC} = \text{MAX}$	SN54'	-20	-57	-20	-57	mA			
			SN74'	-18	-57	-18	-57				
$I_{CC}$	Supply current	$V_{CC} = \text{MAX}$ , See Note 2	42	69		38	64	mA			

<sup>†</sup>For conditions shown as MIN or MAX, use the appropriate value specified under recommended operating conditions.

<sup>‡</sup>All typical values are at  $V_{CC} = 5 \text{ V}$ ,  $T_A = 25^\circ\text{C}$ .

<sup>¶</sup>The  $Q_A$  outputs of the '390 are tested at  $I_{OL} = 16 \text{ mA}$  plus the limit value for  $I_{IL}$  for the B input. This permits driving the B input while maintaining full fan-out capability.

<sup>§</sup>Not more than one output should be shorted at a time.

NOTE 2:  $I_{CC}$  is measured with all outputs open, both clear inputs grounded following momentary connection to 4.5 V, and all other inputs grounded.

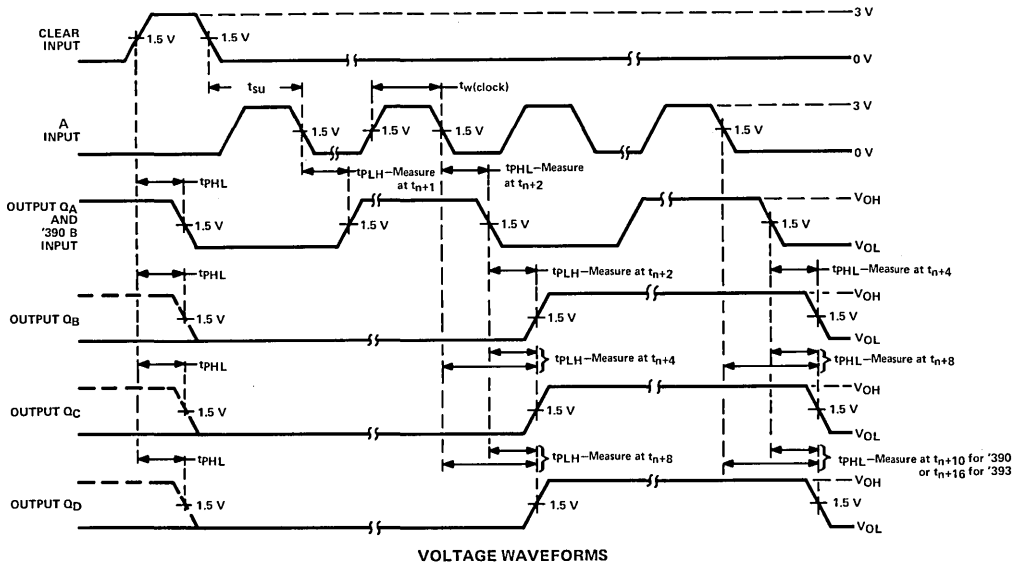
# TYPES SN54390, SN54393, SN74390, SN74393 DUAL 4-BIT DECADE AND BINARY COUNTERS

switching characteristics,  $V_{CC} = 5\text{ V}$ ,  $T_A = 25^\circ\text{C}$

PARAMETER <sup>†</sup>	FROM (INPUT)	TO (OUTPUT)	TEST CONDITIONS	'390			'393			UNIT
				MIN	TYP	MAX	MIN	TYP	MAX	
$f_{\text{max}}$	A	$Q_A$	$C_L = 15\text{ pF}$ , $R_L = 400\ \Omega$ , See Note 3 and Figure 1	25	35		25	35	MHz	
	B	$Q_B$		20	30					
$t_{\text{PLH}}$	A	$Q_A$		12	20		12	20	ns	
$t_{\text{PHL}}$				13	20		13	20		
$t_{\text{PLH}}$	A	$Q_C$ of '390 $Q_D$ of '393		37	60		40	60	ns	
$t_{\text{PHL}}$				39	60		40	60		
$t_{\text{PLH}}$	B	$Q_B$		13	21				ns	
$t_{\text{PHL}}$				14	21					
$t_{\text{PLH}}$	B	$Q_C$		24	39				ns	
$t_{\text{PHL}}$				26	39					
$t_{\text{PLH}}$	B	$Q_D$		13	21				ns	
$t_{\text{PHL}}$				14	21					
$t_{\text{PHL}}$	Clear	Any		24	39		24	39	ns	

<sup>†</sup> $f_{\text{max}}$   $\equiv$  maximum count frequency  
 $t_{\text{PLH}}$   $\equiv$  propagation delay time, low-to-high-level output  
 $t_{\text{PHL}}$   $\equiv$  propagation delay time, high-to-low-level output  
 NOTE 3: Load circuit is shown on page 3-10.

## PARAMETER MEASUREMENT INFORMATION



NOTE A: Input pulses are supplied by a generator having the following characteristics  $t_r \leq 5\text{ ns}$ ,  $t_f \leq 5\text{ ns}$ ,  $\text{PRR} = 1\text{ MHz}$ , duty cycle = 50%,  $Z_{\text{out}} \approx 50\text{ ohms}$ .

FIGURE 1

# TYPES SN54LS390, SN54LS393, SN74LS390, SN74LS393

## DUAL 4-BIT DECADE AND BINARY COUNTERS

REVISED DECEMBER 1980

### absolute maximum ratings over operating free-air temperature range (unless otherwise noted)

Supply voltage, $V_{CC}$ (see Note 1)	7 V
Clear input voltage	7 V
Any A or B clock input voltage	5.5 V
Operating free-air temperature range: SN54LS390, SN54LS393	-55°C to 125°C
SN74LS390, SN74LS393	0°C to 70°C
Storage temperature range	-65°C to 150°C

NOTE 1: Voltage values are with respect to network ground terminal.

### recommended operating conditions

		SN54LS390 SN54LS393			SN74LS390 SN74LS393			UNIT
		MIN	NOM	MAX	MIN	NOM	MAX	
Supply voltage, $V_{CC}$		4.5	5	5.5	4.75	5	5.25	V
High-level output current, $I_{OH}$		-400			-400			$\mu$ A
Low-level output current, $I_{OL}$		4			8			mA
Count frequency, $f_{count}$	A input	0	25		0	25		MHz
	B input	0	12.5		0	12.5		
Pulse width, $t_w$	A input high or low	20			20			ns
	B input high or low	40			40			
	Clear high	20			20			
Clear inactive-state setup time, $t_{SU}$		25 $\downarrow$			25 $\downarrow$			ns
Operating free-air temperature, $T_A$		-55		125	0	70		°C

$\downarrow$  The arrow indicates that the falling edge of the clock pulse is used for reference.

### electrical characteristics over recommended operating free-air temperature range (unless otherwise noted)

PARAMETER		TEST CONDITIONS <sup>†</sup>	SN54LS <sup>‡</sup>			SN74LS <sup>‡</sup>			UNIT
			MIN	TYP <sup>‡</sup>	MAX	MIN	TYP <sup>‡</sup>	MAX	
$V_{IH}$ High-level input voltage			2			2			V
$V_{IL}$ Low-level input voltage			0.7			0.8			V
$V_{IK}$ Input clamp voltage		$V_{CC} = \text{MIN}$ , $I_I = -18 \text{ mA}$	-1.5			-1.5			V
$V_{OH}$ High-level output voltage		$V_{CC} = \text{MIN}$ , $V_{IH} = 2 \text{ V}$ , $V_{IL} = V_{ILmax}$ , $V_{OH} = -400 \mu\text{A}$	2.5	3.4		2.7	3.4	V	
$V_{OL}$ Low-level output voltage		$V_{CC} = \text{MIN}$ , $V_{IH} = 2 \text{ V}$ , $V_{IL} = 0.8 \text{ V}$	$I_{OL} = 4 \text{ mA}$ <sup>¶</sup>		0.25	0.4	$I_{OL} = 8 \text{ mA}$ <sup>¶</sup>		V
$I_I$ Input current at maximum input voltage	Clear	$V_{CC} = \text{MAX}$	$V_I = 7 \text{ V}$		0.1		0.1		mA
	Input A		$V_I = 5.5 \text{ V}$		0.2		0.2		
	Input B		$V_I = 5.5 \text{ V}$		0.4		0.4		
$I_{IH}$ High-level input current	Clear	$V_{CC} = \text{MAX}$ , $V_I = 2.7 \text{ V}$			20		20		$\mu$ A
	Input A				100		100		
	Input B				200		200		
$I_{IL}$ Low-level input current	Clear	$V_{CC} = \text{MAX}$ , $V_I = 0.4 \text{ V}$			-0.4		-0.4		mA
	Input A				-1.6		-1.6		
	Input B				-2.4		-2.4		
$I_{OS}$ Short-circuit output current <sup>§</sup>		$V_{CC} = \text{MAX}$	-20	-100	-20	-100	mA		
$I_{CC}$ Supply current		$V_{CC} = \text{MAX}$ , See Note 2	*LS390		15	26	15		mA
			*LS393		15	26	15		

<sup>†</sup> For conditions shown as MIN or MAX, use the appropriate value specified under recommended operating conditions.

<sup>‡</sup> All typical values are at  $V_{CC} = 5 \text{ V}$ ,  $T_A = 25^\circ\text{C}$ .

<sup>¶</sup> The  $Q_A$  outputs of the \*LS390 are tested at  $I_{OL} = \text{MAX}$  plus the limit value for  $I_{IL}$  for the clock B input. This permits driving the clock B input while maintaining full fan-out capability.

<sup>§</sup> Not more than one output should be shorted at a time, and duration of the short-circuit should not exceed one second.

NOTE 2:  $I_{CC}$  is measured with all outputs open, both clear inputs grounded following momentary connection to 4.5 V, and all other inputs grounded.

# TYPES SN54LS390, SN54LS393, SN74LS390, SN74LS393 DUAL 4-BIT DECADE AND BINARY COUNTERS

REVISED DECEMBER 1980

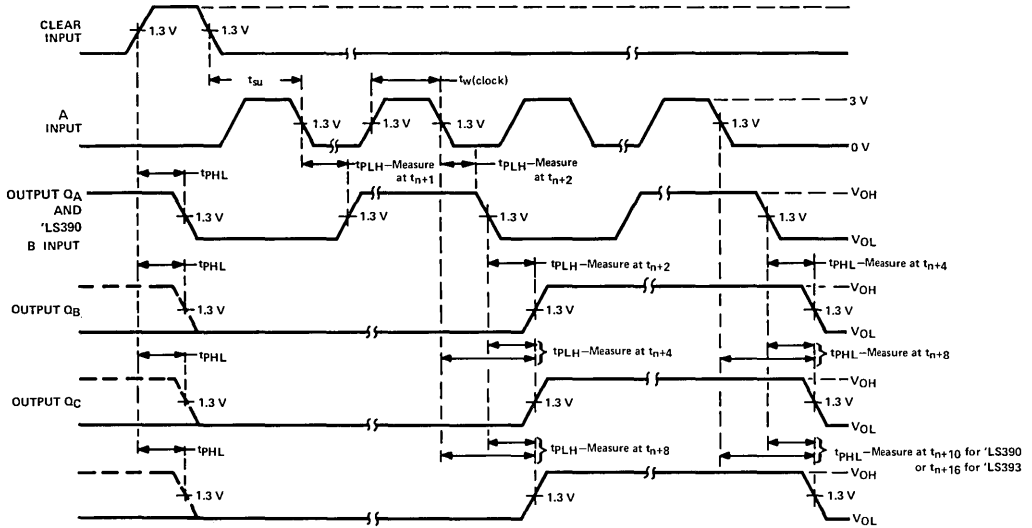
switching characteristics,  $V_{CC} = 5\text{ V}$ ,  $T_A = 25^\circ\text{ C}$

PARAMETER <sup>†</sup>	FROM (INPUT)	TO (OUTPUT)	TEST CONDITIONS	'LS390			'LS393			UNIT
				MIN	TYP	MAX	MIN	TYP	MAX	
$f_{max}$	A	$Q_A$	$C_L = 15\text{ pF}$ , $R_L = 2\text{ k}\Omega$ , See Note 4 and Figure 2	25	35		25	35		MHz
	B	$Q_B$		12.5	20					
$t_{PLH}$	A	$Q_A$		12	20		12	20		ns
$t_{PHL}$				13	20		13	20		
$t_{PLH}$	A	$Q_C$ of 'LS390		37	60		40	60		ns
$t_{PHL}$		$Q_D$ of 'LS393		39	60		40	60		
$t_{PLH}$	B	$Q_B$		13	21					ns
$t_{PHL}$				14	21					
$t_{PLH}$	B	$Q_C$		24	39					ns
$t_{PHL}$				26	39					
$t_{PLH}$	B	$Q_D$		13	21					ns
$t_{PHL}$				14	21					
$t_{PHL}$	Clear	Any		24	39		24	39		ns

<sup>†</sup> $f_{max}$   $\equiv$  maximum count frequency  
 $t_{PLH}$   $\equiv$  propagation delay time, low-to-high-level output  
 $t_{PHL}$   $\equiv$  propagation delay time, high-to-low-level output

NOTE 4: Load circuit is shown on page 3-11.

## PARAMETER MEASUREMENT INFORMATION



VOLTAGE WAVEFORMS

NOTE A: Input pulses are supplied by a generator having the following characteristics  $t_r \leq 15\text{ ns}$ ,  $t_f \leq 6\text{ ns}$ ,  $PRR = 1\text{ MHz}$ , duty cycle = 50%,  $Z_{out} \approx 50\text{ ohms}$ .



# TYPES SN54LS395A, SN74LS395A 4-BIT CASCADABLE SHIFT REGISTERS WITH 3-STATE OUTPUTS

BULLETIN NO. DL-S 7712114, OCTOBER 1976—REVISED AUGUST 1977

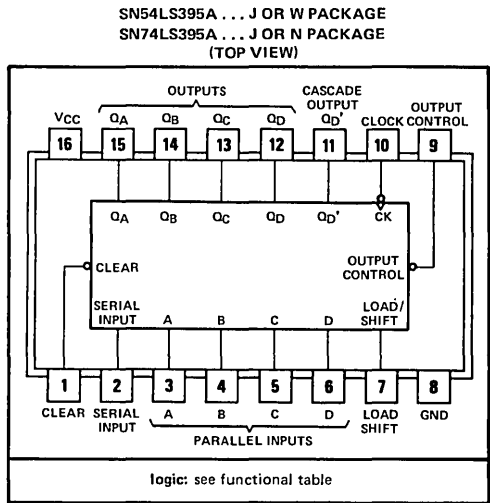
- Three-State, 4 Bit, Cascadable, Parallel-In, Parallel-Out Registers
- 'LS395A Offers Three Times the Sink-Current Capability of 'LS395
- Low Power Dissipation . . . 75 mW Typical (Enabled)
- Applications:  
N-Bit Serial-To-Parallel Converter  
N-Bit Parallel-To-Serial Converter  
N-Bit Storage Register

description

These 4-bit registers feature parallel inputs, parallel outputs, and clock, serial, load/shift, output control and direct overriding clear inputs.

Shifting is accomplished when the load/shift control is low. Parallel loading is accomplished by applying the four bits of data and taking the load/shift control input high. The data is loaded into the associated flip-flops and appears at the outputs after the high-to-low transition of the clock input. During parallel loading, the entry of serial data is inhibited.

When the output control is low, the normal logic levels of the four outputs are available for driving the loads or bus lines. The outputs are disabled independently from the level of the clock by a high logic level at the output control input. The outputs then present a high impedance and neither load nor drive the bus line; however, sequential operation of the registers is not affected. During the high-impedance mode, the output at  $Q_D'$  is still available for cascading.



FUNCTION TABLE

CLEAR	LOAD/SHIFT CONTROL	CLOCK	SERIAL	INPUTS				3-STATE OUTPUTS				CASCADABLE OUTPUT $Q_D'$
				PARALLEL A	PARALLEL B	PARALLEL C	PARALLEL D	$Q_A$	$Q_B$	$Q_C$	$Q_D$	
L	X	X	X	X	X	X	X	L	L	L	L	L
H	H	H	X	X	X	X	X	$Q_{A0}$	$Q_{B0}$	$Q_{C0}$	$Q_{D0}$	$Q_{D0}$
H	H	↓	X	a	b	c	d	a	b	c	d	d
H	L	H	X	X	X	X	X	$Q_{A0}$	$Q_{B0}$	$Q_{C0}$	$Q_{D0}$	$Q_{D0}$
H	L	↓	H	X	X	X	X	H	$Q_{An}$	$Q_{Bn}$	$Q_{Cn}$	$Q_{Cn}$
H	L	↓	L	X	X	X	X	L	$Q_{An}$	$Q_{Bn}$	$Q_{Cn}$	$Q_{Cn}$

When the output control is high, the 3-state outputs are disabled to the high-impedance state; however, sequential operation of the registers and the output at  $Q_D'$  are not affected.

See explanation of function tables on page 3-8.

absolute maximum ratings over operating free-air temperature range (unless otherwise noted)

Supply voltage, $V_{CC}$ (see Note 1)	7 V
Input voltage	7 V
Operating free-air temperature range: SN54LS395A	-55°C to 125°C
SN74LS395A	0°C to 70°C
Storage temperature range	-65°C to 150°C

NOTE 1: Voltage values are with respect to network ground terminal.

# TYPES SN54LS395A, SN74LS395A

## 4-BIT CASCADABLE SHIFT REGISTERS WITH 3-STATE OUTPUTS

REVISED DECEMBER 1980

### recommended operating conditions

	SN54LS395A			SN74LS395A			UNIT
	MIN	NOM	MAX	MIN	NOM	MAX	
Supply voltage, $V_{CC}$	4.5	5	5.5	4.75	5	5.25	V
High-level output current, $I_{OH}$	$Q_A, Q_B, Q_C, Q_D$			-1			-2.6 mA
	$Q_D'$			-400			-400 $\mu$ A
Low-level output current, $I_{OL}$	$Q_A, Q_B, Q_C, Q_D$			12			24 mA
	$Q_D'$			4			8 mA
Clock frequency, $f_{clock}$	0			30			0 30 MHz
Width of clock pulse, $t_w(\text{clock})$	16			16			ns
Setup time, high-level or low-level data, $t_{su}$	Load/Shift input			40			ns
	All other inputs			20			
Hold time, high-level or low-level data, $t_h$	10			10			ns
Operating free-air temperature, $T_A$	-55			125			0 70 $^{\circ}$ C

### electrical characteristics over recommended operating free-air temperature range (unless otherwise noted)

PARAMETER	TEST CONDITIONS†	SN54LS395A			SN74LS395A			UNIT
		MIN	TYP‡	MAX	MIN	TYP‡	MAX	
$V_{IH}$ High-level input voltage		2			2			V
$V_{IL}$ Low-level input voltage		0.7			0.8			V
$V_{IK}$ Input clamp voltage	$V_{CC} = \text{MIN}, I_I = -18 \text{ mA}$	-1.5			-1.5			V
$V_{OH}$ High-level output voltage	$V_{CC} = \text{MIN}, V_{IH} = 2 \text{ V}, V_{IL} = V_{IL \text{ max}}, I_{OH} = \text{MAX}$	$Q_A, Q_B, Q_C, Q_D$	2.4	3.4	2.4	3.1	V	
		$Q_D'$	2.5	3.4	2.7	3.4	V	
$V_{OL}$ Low-level output voltage	$V_{CC} = \text{MIN}, V_{IL} = V_{IL \text{ max}}, V_{IH} = 2 \text{ V}$	$Q_A, Q_B, Q_C, Q_D$	$I_{OL} = 12 \text{ mA}$	0.25	0.4	0.25	0.4	V
			$I_{OL} = 24 \text{ mA}$			0.35	0.5	
		$Q_D$	$I_{OL} = 4 \text{ mA}$	0.25	0.4	0.25	0.4	V
			$I_{OL} = 8 \text{ mA}$			0.35	0.5	
$I_{OZH}$ Off-state output current, high-level voltage applied	$V_{CC} = \text{MAX}, V_O = 2.7 \text{ V}, V_{IH} = 2 \text{ V}$	$Q_A, Q_B, Q_C, Q_D$	20		20		$\mu$ A	
$I_{OZL}$ Off-state output current, low-level voltage applied	$V_{CC} = \text{MAX}, V_O = 0.4 \text{ V}, V_{IH} = 2 \text{ V}$	$Q_A, Q_B, Q_C, Q_D$	-20		-20		$\mu$ A	
$I_I$ Input current at maximum input voltage	$V_{CC} = \text{MAX}, V_I = 7 \text{ V}$		0.1		0.1		mA	
$I_{IH}$ High-level input current	$V_{CC} = \text{MAX}, V_I = 2.7 \text{ V}$		20		20		$\mu$ A	
$I_{IL}$ Low-level input current	$V_{CC} = \text{MAX}, V_I = 0.4 \text{ V}$		-0.4		-0.4		mA	
$I_{OS}$ Short-circuit output current§	$V_{CC} = \text{MAX}$	$Q_A, Q_B, Q_C, Q_D$	-30	-130	-30	-130	mA	
		$Q_D'$	-20	-100	-20	-100	mA	
$I_{CC}$ Supply current	$V_{CC} = \text{MAX},$ See Note 2	Condition A	22	34	22	34	mA	
		Condition B	21	31	21	31		

† For conditions shown as MIN or MAX, use the appropriate value specified under recommended operating conditions.

‡ All typical values are at  $V_{CC} = 5 \text{ V}, T_A = 25^{\circ}\text{C}$ .

§ Not more than one output should be shorted at a time, and duration of the short-circuit should not exceed one second.

NOTE 2:  $I_{CC}$  is measured with the outputs open, the serial input and mode control at 4.5 V, and the data inputs grounded under the following conditions:

- A. Output control at 4.5 V and a momentary 3 V, then ground, applied to clock input.
- B. Output control and clock input grounded.

# TYPES SN54LS395A, SN74LS395A

## 4-BIT CASCADABLE SHIFT REGISTERS WITH 3-STATE OUTPUTS

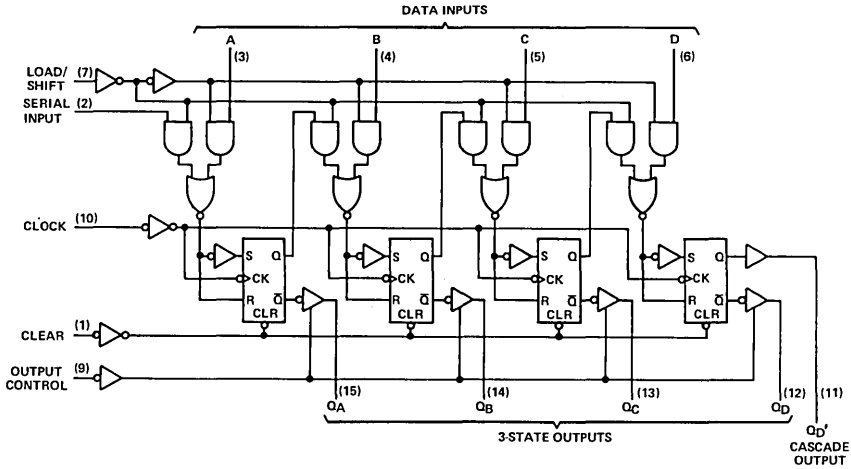
REVISED AUGUST 1977

switching characteristics,  $V_{CC} = 5\text{ V}$ ,  $T_A = 25^\circ\text{ C}$

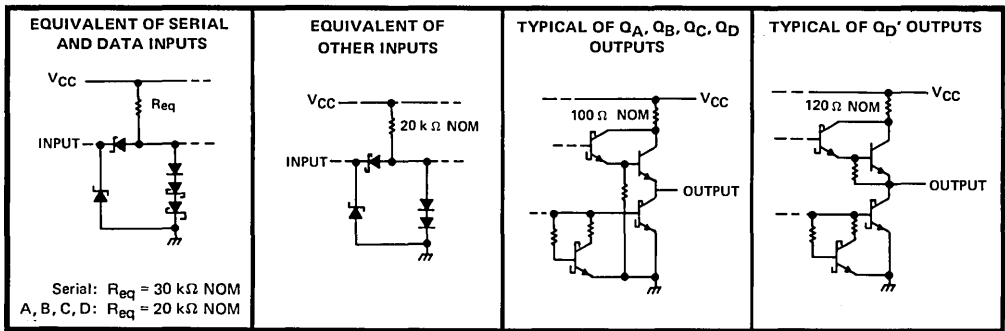
PARAMETER	TEST CONDITIONS	MIN	TYP	MAX	UNIT
$f_{max}$ Maximum clock frequency	See Note 3, $Q_A, Q_B, Q_C, Q_D$ outputs: $R_L = 667\ \Omega, C_L = 45\ \text{pF}$	30	45		MHz
$t_{PHL}$ Propagation delay time, high-to-low-level output from clear		22	35		ns
$t_{PLH}$ Propagation delay time, low-to-high-level output		15	30		ns
$t_{PHL}$ Propagation delay time, high-to-low-level output		20	30		ns
$t_{pZH}$ Output enable time to high level	$Q_D'$ output: $R_L = 2\ \text{k}\Omega, C_L = 15\ \text{pF}$	15	25		ns
$t_{pZL}$ Output enable time to low level		17	25		ns
$t_{pHZ}$ Output disable time from high level	$C_L = 5\ \text{pF}$ ,	11	17		ns
$t_{pLZ}$ Output disable time from low level	See Note 3	12	20		ns

NOTE 3: Load circuit and voltage waveforms are shown on page 3-11.

### functional block diagram



### schematics of inputs and outputs



# TYPES SN54LS398, SN54LS399 SN74LS398, SN74LS399 QUADRUPLE 2-INPUT MULTIPLEXERS WITH STORAGE

BULLETIN NO. DLS 7712465, OCTOBER 1976—REVISED AUGUST 1977

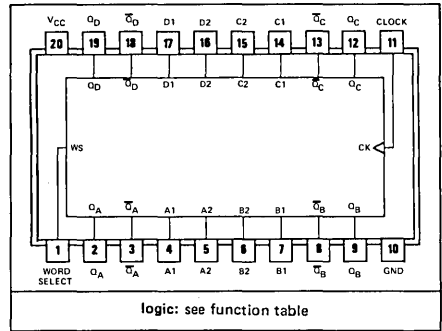
- Double-Rail Outputs on 'LS398
- Single-Rail Outputs on 'LS399
- 'LS398 is Similar to 'LS298, Which Has Inverted Clock
- Selects One of Two 4-Bit Data Sources and Stores Data Synchronously with System Clock

- Applications:  
Dual Source for Operands and Constants in Arithmetic Processor; Can Release Processor Register Files for Acquiring New Data

Implement Separate Registers Capable of Parallel Exchange of Contents Yet Retain External Load Capability

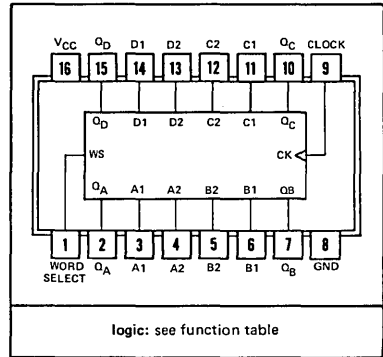
Universal Type Register for Implementing Various Shift Patterns; Even Has Compound Left-Right Capabilities

SN54LS398 . . . J OR W PACKAGE  
SN74LS398 . . . J OR N PACKAGE  
(TOP VIEW)



logic: see function table

SN54LS399 . . . J OR W PACKAGE  
SN74LS399 . . . J OR N PACKAGE  
(TOP VIEW)



logic: see function table

## description

These monolithic quadruple two-input multiplexers with storage provide essentially the equivalent functional capabilities of two separate MSI functions (SN54LS157/SN74LS157 and SN54LS175/SN74LS175) in a single 16-pin or 20-pin package.

When the word-select input is low, word 1 (A1, B1, C1, D1) is applied to the flip-flops. A high input to word select will cause the selection of word 2 (A2, B2, C2, D2). The selected word is clocked to the output terminals on the positive-going edge of the clock pulse.

Typical power dissipation is 37 milliwatts. SN54LS398 and SN54LS399 are characterized for operation over the full military range of  $-55^{\circ}\text{C}$  to  $125^{\circ}\text{C}$ , SN74LS398 and SN74LS399 are characterized for operation from  $0^{\circ}\text{C}$  to  $70^{\circ}\text{C}$ .

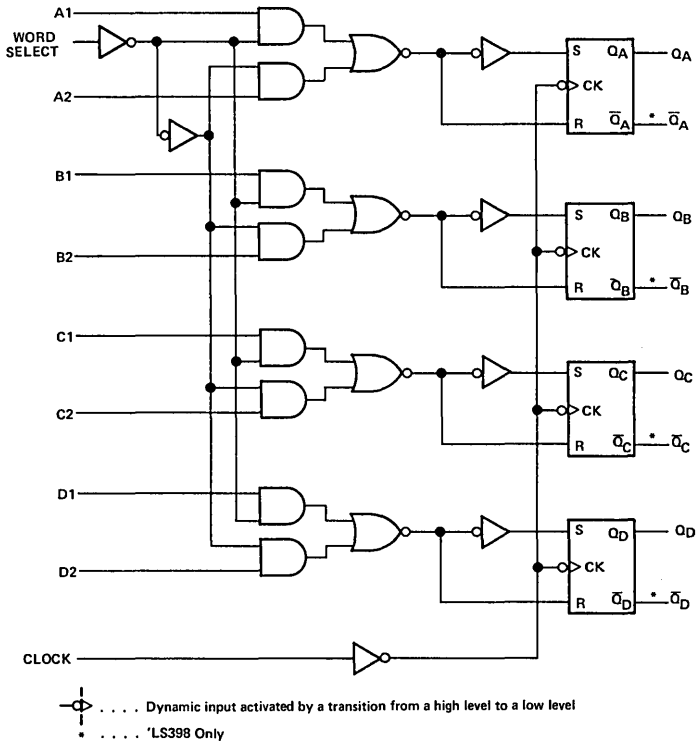
FUNCTION TABLE

INPUTS		OUTPUTS			
WORD SELECT	CLOCK	QA	QB	QC	QD
L	↑	a1	b1	c1	d1
H	↑	a2	b2	c2	d2
X	L	QA0	QB0	QC0	QD0

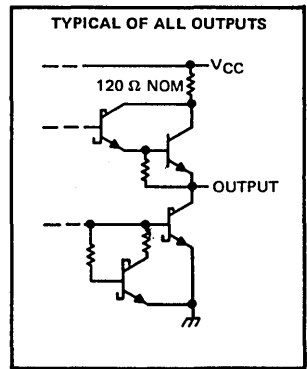
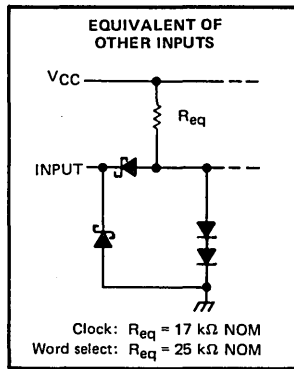
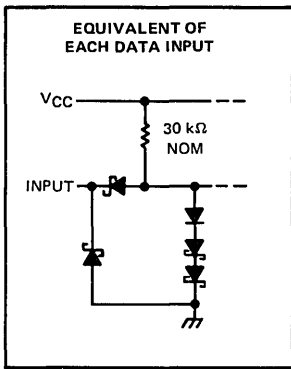
See explanation of function tables on page 3-8.

# TYPES SN54LS398, SN54LS399, SN74LS398, SN74LS399 QUADRUPLE 2-INPUT MULTIPLEXERS WITH STORAGE

functional block diagram



schematics of inputs and outputs



# TYPES SN54LS398, SN54LS399, SN74LS398, SN74LS399

## QUADRUPLE 2-INPUT MULTIPLEXERS WITH STORAGE

REVISED JANUARY 1981

absolute maximum ratings over operating free-air temperature range (unless otherwise noted)

Supply voltage, $V_{CC}$ (see Note 1)	7 V
Input voltage	7 V
Operating free-air temperature range: SN54LS'	-55°C to 125°C
SN74LS'	0°C to 70°C
Storage temperature range	-65°C to 150°C

NOTE 1: Voltage values are with respect to network ground terminal.

recommended operating conditions

	SN54LS'			SN74LS'			UNIT
	MIN	NOM	MAX	MIN	NOM	MAX	
Supply voltage, $V_{CC}$	4.5	5	5.5	4.75	5	5.25	V
High-level output current, $I_{OH}$			-400			-400	$\mu$ A
Low-level output current, $I_{OL}$			4			8	mA
Width of clock pulse, high or low level, $t_w$	20			20			ns
Setup time, $t_{su}$	Data	25		25			ns
	Word select	45		45			
Hold time, $t_h$	Data	0		0			ns
	Word select	0		0			
Operating free-air temperature, $T_A$	-55	125		0	70		°C

electrical characteristics over recommended operating free-air temperature range (unless otherwise noted)

PARAMETER	TEST CONDITIONS†	SN54LS'			SN74LS'			UNIT
		MIN	TYP‡	MAX	MIN	TYP‡	MAX	
$V_{IH}$ High-level input voltage		2			2			V
$V_{IL}$ Low-level input voltage				0.7			0.8	V
$V_{IK}$ Input clamp voltage	$V_{CC} = \text{MIN}$ , $I_I = -18 \text{ mA}$			-1.5			-1.5	V
$V_{OH}$ High-level output voltage	$V_{CC} = \text{MIN}$ , $V_{IH} = 2 \text{ V}$ , $V_{IL} = V_{IL \text{ max}}$ , $I_{OH} = -400 \mu\text{A}$	2.5	3.4		2.7	3.4		V
$V_{OL}$ Low-level output voltage	$V_{CC} = \text{MIN}$ , $V_{IH} = 2 \text{ V}$ , $V_{IL} = V_{IL \text{ max}}$	$I_{OL} = 4 \text{ mA}$	0.25	0.4	0.25	0.4		V
		$I_{OL} = 8 \text{ mA}$			0.35	0.5		
$I_I$ Input current at maximum input voltage	$V_{CC} = \text{MAX}$ , $V_I = 7 \text{ V}$			0.1			0.1	mA
$I_{IH}$ High-level input current	$V_{CC} = \text{MAX}$ , $V_I = 2.7 \text{ V}$			20			20	$\mu$ A
$I_{IL}$ Low-level input current	$V_{CC} = \text{MAX}$ , $V_I = 0.4 \text{ V}$			-0.4			-0.4	mA
$I_{OS}$ Short-circuit output current§	$V_{CC} = \text{MAX}$	-20		-100	-20		-100	mA
$I_{CC}$ Supply current	$V_{CC} = \text{MAX}$ , See Note 2		7.3	13		7.3	13	mA

† For conditions shown as MIN or MAX, use the appropriate value specified under recommended operating conditions.

‡ All typical values are at  $V_{CC} = 5 \text{ V}$ ,  $T_A = 25^\circ\text{C}$ .

§ Not more than one output should be shorted at a time, duration of the short-circuit should not exceed one second.

NOTE 2: With all outputs open and all inputs except clock low,  $I_{CC}$  is measured after applying a momentary 4.5 V, followed by ground, to the clock input.

switching characteristics,  $V_{CC} = 5 \text{ V}$ ,  $T_A = 25^\circ\text{C}$

PARAMETER	TEST CONDITIONS	MIN	TYP	MAX	UNIT
$t_{PLH}$ Propagation delay time, low-to-high-level output	$C_L = 15 \text{ pF}$ , $R_L = 2 \text{ k}\Omega$		18	27	ns
$t_{PHL}$ Propagation delay time, high-to-low-level output	See Note 3		21	32	

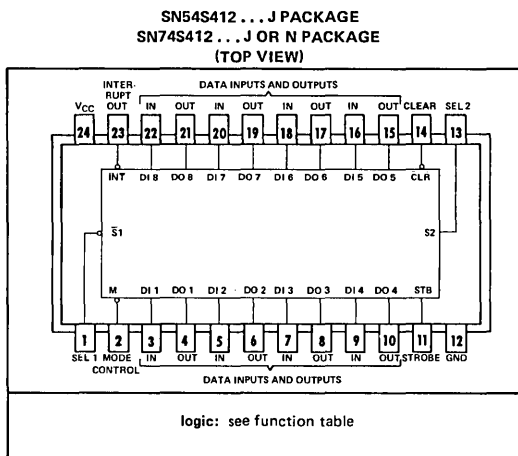
NOTE 3: Load circuit and waveforms are shown on page 3-11.

TEXAS INSTRUMENTS  
INCORPORATED

POST OFFICE BOX 225012 • DALLAS, TEXAS 75265

7-501

- P-N-P Inputs and 3-State Outputs Maximize I/O and Data Bus Capabilities
- Data Latch Transparency Permits Asynchronous or Latched Receiver Modes
- Mode and Select Inputs Permit Storing With Outputs Enabled or Disabled
- Strobe-Controlled Flag Flip-Flop Indicates Status or Interrupt
- Asynchronous Clear Sets All Eight Data Lines Low and Initializes Status Flag
- High-Level Output Voltage, Typically 4 V, Drives Most MOS Functions Directly
- Direct Replacement for Intel 3212 or 8212



**description**

This high-performance eight-bit parallel expandable buffer register incorporates package and mode selection inputs and an edge-triggered status flip-flop designed specifically for implementing bus-organized input/output ports. The three-state data outputs can be connected to a common data bus and controlled from the appropriate select inputs to receive or transmit data. An integral status flip-flop provides package busy or request interrupt commands. The outputs, with a 4-volt typical high-level voltage, are compatible for driving low-threshold MOS directly.

**DATA LATCHES**

The eight data latches are fully transparent when the internal gate enable,  $G$ , input is high and the outputs are enabled ( $OE = H$ ). Latch transparency is selected by the mode control ( $M$ ), select ( $S1$  and  $S2$ ), and the strobe ( $STB$ ) inputs and during transparency each data output ( $DO_i$ ) follows its respective data input ( $DI_i$ ). This mode of operation can be terminated by clearing, de-selecting, or holding the data latches. See data latches function table.

**MODE SELECTION**

An input mode or an output mode is selectable from this single input line. In the input mode,  $MD = L$ , the eight data latch inputs are enabled when the strobe is high regardless of device selection. If selected during an input mode, the outputs will follow the data inputs. When the strobe input is taken low, the latches will store the most-recently setup data.

In the output mode,  $M = H$ , the output buffers are enabled regardless of any other control input. During the output mode the content of the register is under control of the select ( $S1$  and  $S2$ ) inputs. See data latches function table.

**STATUS FLIP-FLOP**

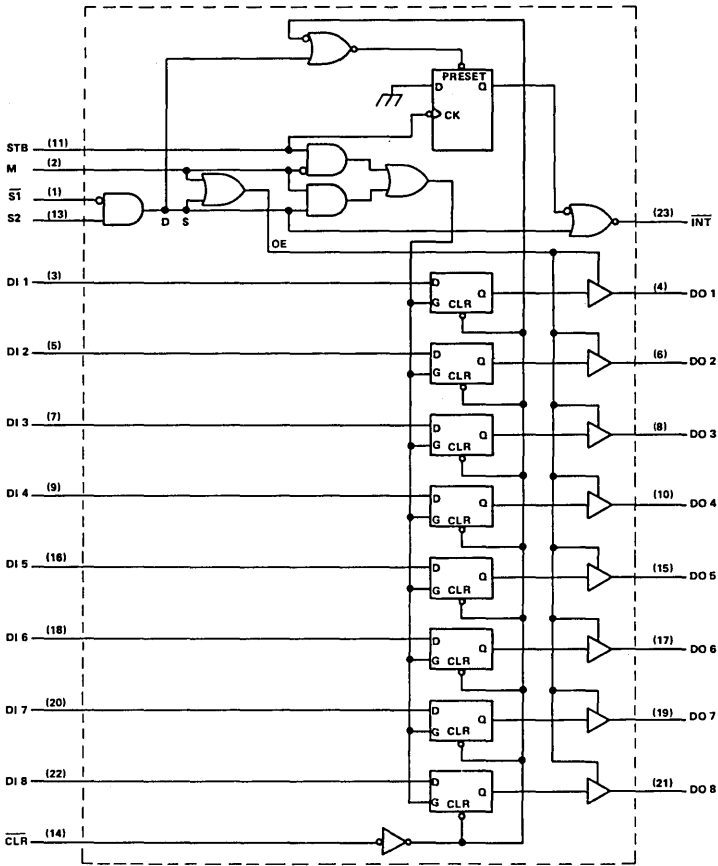
The status flip-flop provides a low-level output signal when:

- the package is selected
- a strobe input is received.

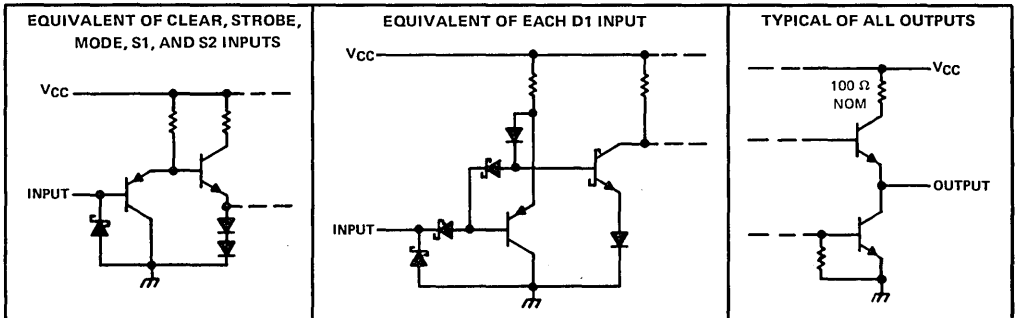
This status signal can be used to indicate that the register is busy or to initiate an interrupt type command.

# TYPES SN54S412, SN74S412 (TIM8212) MULTI-MODE BUFFERED LATCHES

functional block diagram



schematics of inputs and outputs



7



# TYPES SN54S412, SN74S412 (TIM8212)

## MULTI-MODE BUFFERED LATCHES

DATA LATCHES FUNCTION TABLE

FUNCTION	CLEAR	M	$\overline{S1}$	S2	STB	DATA IN	DATA OUT
Clear	L	H	H	X	X	X	L
	L	L	L	H	L	X	L
De-select	X	L	X	L	X	X	Z
	X	L	H	X	X	X	Z
Hold	H	H	H	L	X	X	$Q_0$
	H	L	L	H	L	X	$Q_0$
Data Bus	H	H	L	H	X	L	L
	H	H	L	H	X	H	H
Data Bus	H	L	L	H	H	L	L
	H	L	L	H	H	H	H

STATUS FLIP-FLOP FUNCTION TABLE

CLEAR	$\overline{S1}$	S2	STB	$\overline{INT}$
L	H	X	X	H
L	X	L	X	H
H	X	X	↓	L
H	L	H	X	L

H ≡ high level (steady state)  
 L ≡ low level (steady state)  
 X ≡ irrelevant (any input, including transitions)  
 Z ≡ high impedance (off)  
 ↓ ≡ transition from low to high level

**absolute maximum ratings over operating free-air temperature range (unless otherwise noted)**

Supply voltage, $V_{CC}$ (see Note 1)	7 V
Input voltage	5.5 V
Operating free-air temperature range: SN54S412	-55°C to 125°C
SN74S412	0°C to 70°C
Storage temperature range	-65°C to 150°C

NOTE 1: Voltage values are with respect to network ground terminal.

**recommended operating conditions**

	SN54S412			SN74S412			UNIT		
	MIN	NOM	MAX	MIN	NOM	MAX			
Supply voltage, $V_{CC}$	4.5	5	5.5	4.75	5	5.25	V		
Pulse width, $t_w$ (see Figures 1, 2, and 4)	STB or $\overline{S1} \cdot S2$			25			ns		
	Clear low			25					
Setup time, $t_{SU}$ (see Figure 3)	15↓			15↓			ns		
Hold time, $t_H$ (see Figures 1 and 3)	20↓			20↓			ns		
Operating free-air temperature, $T_A$	-55			125			0	70	°C

↓ The arrow indicates that the falling edge of the clock pulse is used for reference.

# TYPES SN54S412, SN74S412 (TIM8212) MULTI-MODE BUFFERED LATCHES

REVISED FEBRUARY 1979

electrical characteristics over recommended operating free-air temperature range (unless otherwise noted)

PARAMETER		TEST CONDITIONS†	SN54S412			SN74S412			UNIT
			MIN	TYP‡	MAX	MIN	TYP‡	MAX	
V <sub>IH</sub>	High-level input voltage		2			2			V
V <sub>IL</sub>	Low-level input voltage		0.85			0.85			V
V <sub>IK</sub>	Input clamp voltage	V <sub>CC</sub> = MIN; I <sub>I</sub> = -18 mA	-1.2			-1.2			V
V <sub>OH</sub>	High-level output voltage	V <sub>CC</sub> = MIN, V <sub>IL</sub> = 0.8 V, I <sub>OH</sub> = -1 mA	3.4	4		3.65	4		V
V <sub>OL</sub>	Low-level output voltage	V <sub>CC</sub> = MIN, V <sub>IH</sub> = 2 V, V <sub>IL</sub> = 0.8 V	I <sub>OL</sub> = 15 mA			0.45			V
			I <sub>OL</sub> = 20 mA			0.5			
I <sub>OZH</sub>	Off-state output current, high-level voltage applied	DO 1 thru DO 8 V <sub>CC</sub> = MAX, V <sub>O</sub> = 2.4 V	50			50			μA
I <sub>OZL</sub>	Off-state output current, low-level voltage applied	DO 1 thru DO 8 V <sub>CC</sub> = MAX, V <sub>O</sub> = 0.5 V	-50			-50			μA
I <sub>I</sub>	Input current at maximum input voltage	V <sub>CC</sub> = MAX, V <sub>I</sub> = 5.5 V	1			1			mA
I <sub>IH</sub>	High-level input current	V <sub>CC</sub> = MAX, V <sub>I</sub> = 5.25 V	20			10			μA
I <sub>IL</sub>	Low-level input current	S1	-1			-1			mA
		M	-0.75			-0.75			
		All others	-0.25			-0.25			
I <sub>OS</sub>	Short-circuit output current§	V <sub>CC</sub> = MAX	-20	-65	-20	-65		mA	
I <sub>CC</sub>	Supply current	V <sub>CC</sub> = MAX, see Note 2	82			82	130		mA

† For conditions shown as MIN or MAX, use the appropriate value specified under recommended operating conditions.

‡ All typical values are at V<sub>CC</sub> = 5 V, T<sub>A</sub> = 25°C.

§ Not more than one output should be shorted at a time.

NOTE 2: I<sub>CC</sub> is measured with all outputs open, clear input at 4.5 V, and all other inputs grounded.

switching characteristics, V<sub>CC</sub> = 5 V, T<sub>A</sub> = 25°C

PARAMETER	FROM	TO	FIGURE	TEST CONDITIONS	MIN	TYP	MAX	UNIT	
t <sub>PLH</sub>	STB, S1, or S2	Any DO	1	C <sub>L</sub> = 30 pF, See Note 3	18 27			ns	
t <sub>PHL</sub>					15 25				
t <sub>PHL</sub>	CLR	Any DO	2		18 27			ns	
t <sub>PLH</sub>	D <sub>i</sub>	D <sub>O<sub>i</sub></sub>	3		12 20			ns	
t <sub>PHL</sub>					10 20				
t <sub>PLH</sub>	S1 or S2	INT	4		12 20			ns	
t <sub>PHL</sub>	STB	INT	4	16 25					
t <sub>PZH</sub>	S1, S2, or M	Any DO	5	C <sub>L</sub> = 30 pF, See Note 3	21 35			ns	
t <sub>PZL</sub>					25 40				
t <sub>PHZ</sub>	S1, S2, or M	Any DO	5		C <sub>L</sub> = 5 pF, See Note 3	9 20			ns
t <sub>PLZ</sub>						12 20			

t<sub>PLH</sub> ≡ propagation delay time, low-to-high-level output

t<sub>PHL</sub> ≡ propagation delay time, high-to-low-level output

t<sub>PZH</sub> ≡ output enable time to high level

t<sub>PZL</sub> ≡ output enable time to low level

t<sub>PHZ</sub> ≡ output disable time from high level

t<sub>PLZ</sub> ≡ output disable time from low level

NOTE 3: Load circuit and voltage waveforms are shown on page 3-10.

# TYPES SN54S412, SN74S412 (TIM8212)

## MULTI-MODE BUFFERED LATCHES

### PARAMETER MEASUREMENT INFORMATION

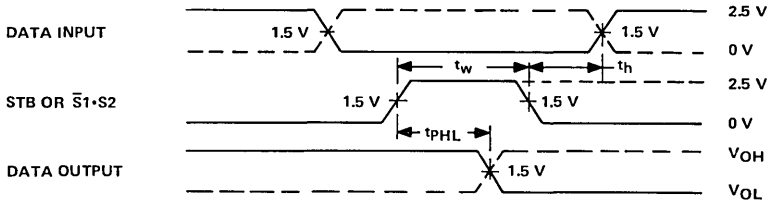


FIGURE 1 – STROBE OR SELECT TO DATA OUTPUT

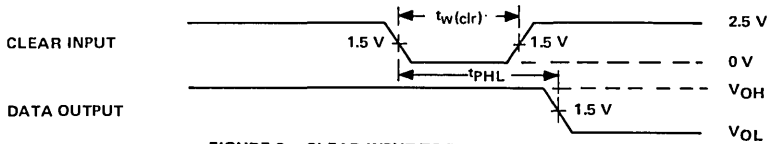


FIGURE 2 – CLEAR INPUT TO DATA OUTPUT

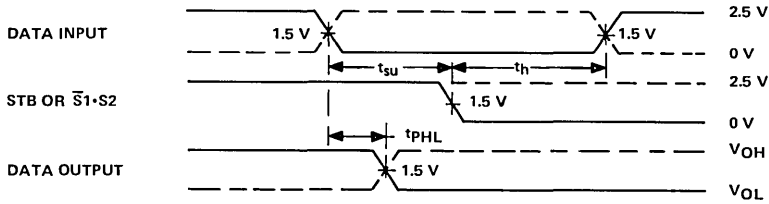


FIGURE 3 – DATA INPUT TO DATA OUTPUT

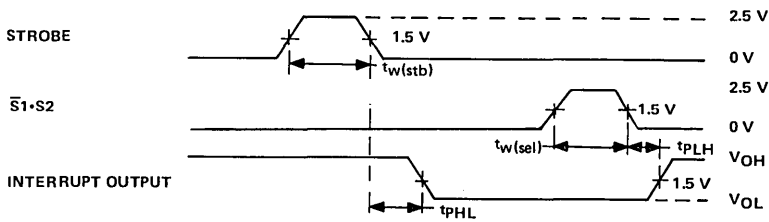


FIGURE 4 – STROBE OR SELECT TO INTERRUPT OUTPUT

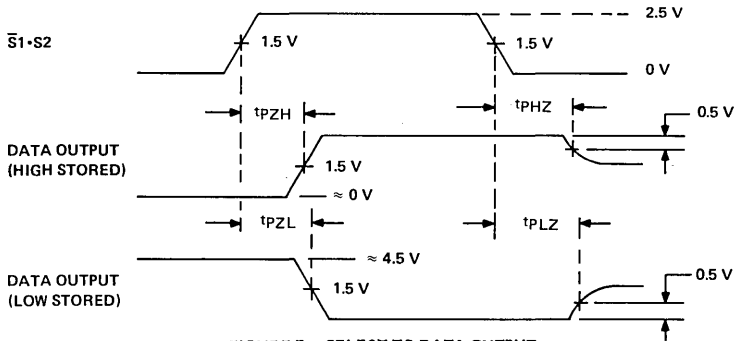


FIGURE 5 – SELECT TO DATA OUTPUT

# TYPES SN54LS440 THRU SN54LS444, SN54LS448, SN74LS440 THRU SN74LS444, SN74LS448 QUADRUPLE TRIDIRECTIONAL BUS TRANSCEIVERS

D2425, AUGUST 1979

- 3-Way Asynchronous Communication
- On-Chip Bus Selection Decoding
- Input Hysteresis Improves Noise Margin
- Choice of Open-Collector or 3-State Outputs

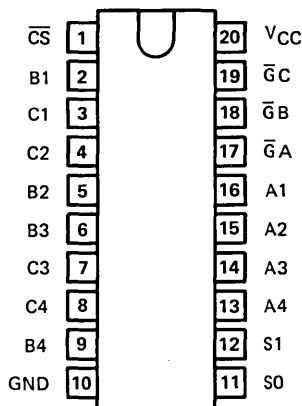
### description

These bus transceivers are designed for asynchronous three-way communication between four-line data buses. They give the designer a choice of selecting inverting, noninverting, or a combination of inverting and noninverting data paths with either 3-state or open-collector outputs.

The S0 and S1 inputs select the bus from which data are to be transferred. The  $\bar{G}$  inputs enable the bus or buses to which data are to be transferred. The port for any bus selected for input and any other bus not enabled for output will be at high impedance including those of the open-collector devices.

The SN54LS440 through SN54LS444 and SN54LS448 are characterized for operation over the full military temperature range of  $-55^{\circ}\text{C}$  to  $125^{\circ}\text{C}$ . The SN74LS440 through SN74LS444 and SN74LS448 are characterized for operation from  $0^{\circ}\text{C}$  to  $70^{\circ}\text{C}$ .

SN54LS\* ..... J PACKAGE  
SN74LS\* ..... J OR N PACKAGE  
(TOP VIEW)



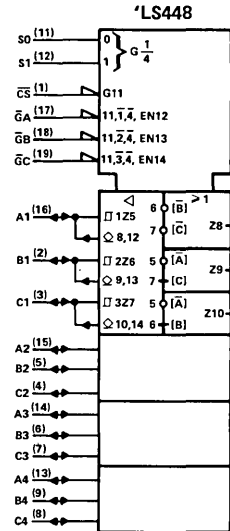
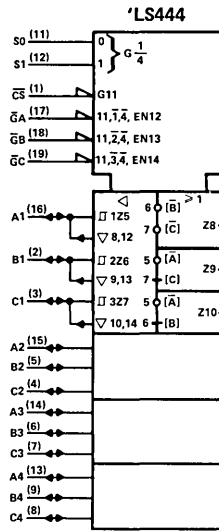
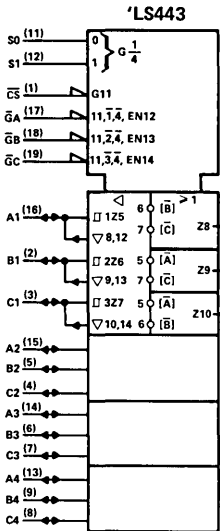
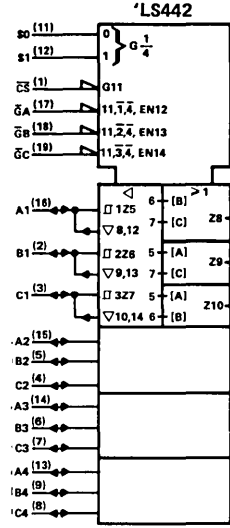
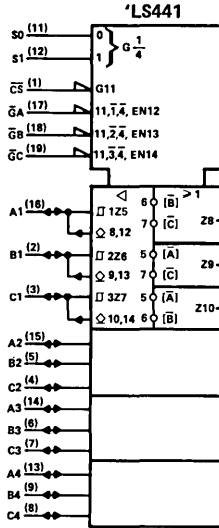
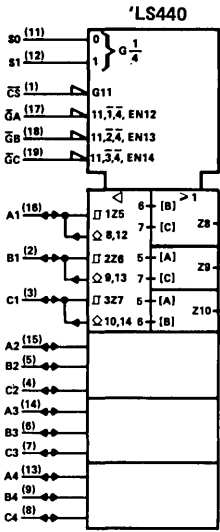
DEVICE	OUTPUT	LOGIC
'LS440	Open-Collector	True
'LS441	Open-Collector	Inverting
'LS442	3-State	True
'LS443	3-State	Inverting
'LS444	3-State	True/Inverting
'LS448	Open-Collector	True/Inverting

FUNCTION TABLE

INPUTS						TRANSFERS BETWEEN BUSES		
$\bar{CS}$	S1	S0	$\bar{G}A$	$\bar{G}B$	$\bar{G}C$	'LS440 'LS442	'LS441 'LS443	'LS444 'LS448
H	X	X	X	X	X	None	None	None
X	H	H	X	X	X	None	None	None
X	X	X	H	H	H	None	None	None
X	L	L	X	H	H	None	None	None
X	L	H	H	X	H	None	None	None
X	H	L	H	H	X	None	None	None
L	L	L	X	L	L	A + B, A + C	$\bar{A} + B, \bar{A} + C$	$\bar{A} + B, \bar{A} + C$
L	L	H	L	X	L	B + C, B + A	$\bar{B} + C, \bar{B} + A$	B + C, $\bar{B} + A$
L	H	L	L	L	X	C + A, C + B	$\bar{C} + A, \bar{C} + B$	$\bar{C} + A, C + B$
L	L	L	X	L	H	A + B	$\bar{A} + B$	$\bar{A} + B$
L	L	H	H	X	L	B + C	$\bar{B} + C$	B + C
L	H	L	L	H	X	C + A	$\bar{C} + A$	$\bar{C} + A$
L	L	L	X	H	L	A + C	$\bar{A} + C$	$\bar{A} + C$
L	L	H	L	X	H	B + A	$\bar{B} + A$	$\bar{B} + A$
L	H	L	H	L	X	C + B	$\bar{C} + B$	C + B

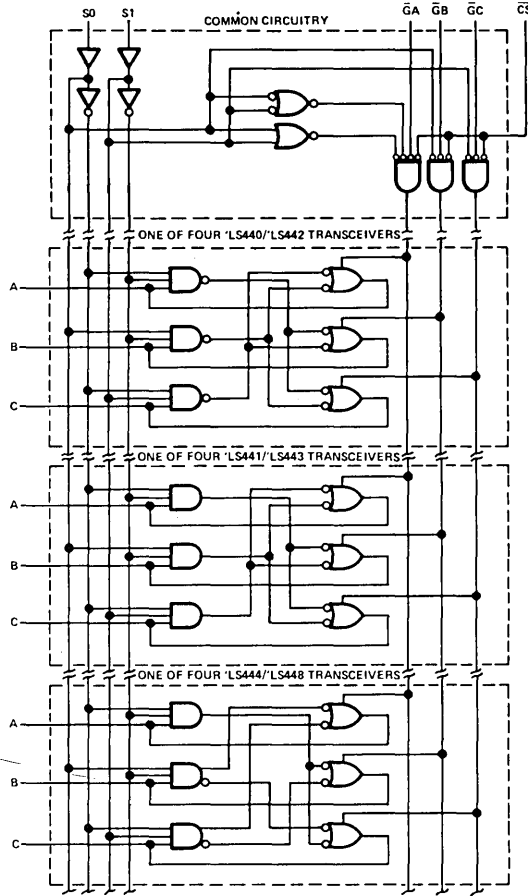
# TYPES SN54LS440 THRU SN54LS444, SN54LS448, SN74LS440 THRU SN74LS444, SN74LS448 QUADRUPLE TRIDIRECTIONAL BUS TRANSCEIVERS

logic symbols



# TYPES SN54LS440 THRU SN54LS444, SN54LS448, SN74LS440 THRU SN74LS444, SN74LS448 QUADRUPLE TRIDIRECTIONAL BUS TRANSCEIVERS

functional block diagram (composite showing one of four transceivers from each type, positive logic)



**absolute maximum ratings over operating free-air temperature range (unless otherwise noted)**

Supply voltage, $V_{CC}$ (see Note 1)	7 V
Input voltage	7 V
Off-state output voltage	5.5 V
Operating free-air temperature range: SN54LS'	$-55^{\circ}\text{C}$ to $125^{\circ}\text{C}$
SN74LS'	$0^{\circ}\text{C}$ to $70^{\circ}\text{C}$
Storage temperature range	$-65^{\circ}\text{C}$ to $150^{\circ}\text{C}$

NOTE 1: Voltage values are with respect to network ground terminal.

# TYPES SN54LS440, SN54LS441, SN54LS448, SN74LS440, SN74LS441, SN74LS448 QUAD TRIDIRECTIONAL BUS TRANSCEIVERS WITH OPEN-COLLECTOR OUTPUTS

recommended operating conditions

	SN54LS440 SN54LS441 SN54LS448			SN74LS440 SN74LS441 SN74LS448			UNIT
	MIN	NOM	MAX	MIN	NOM	MAX	
Supply voltage, $V_{CC}$ (see Note 1)	4.5	5	5.5	4.75	5	5.25	V
High-level output voltage, $V_{OH}$	5.5			5.5			V
Low-level output current, $I_{OL}$	12			24			mA
Operating free-air temperature, $T_A$	-55			125			C

NOTE 1: Voltage values are with respect to the network ground terminal.

electrical characteristics over recommended operating free-air temperature range (unless otherwise noted)

PARAMETER		TEST CONDITIONS†	SN54LS*			SN74LS*			UNIT
			MIN	TYP‡	MAX	MIN	TYP‡	MAX	
$V_{IH}$	High-level input voltage		2			2			V
$V_{IL}$	Low-level input voltage		0.5			0.6			V
$V_{IK}$	Input clamp voltage	$V_{CC} = \text{MIN}, I_I = -18 \text{ mA}$	-1.5			-1.5			V
Hysteresis ( $V_{T+} - V_{T-}$ )		A,B,C input	$V_{CC} = \text{MIN}$			0.2 0.4			V
$I_{OH}$	High-level output current	$V_{CC} = \text{MIN}, V_{IH} = 2 \text{ V}, V_{IL} = V_{ILmax}$	100			100			$\mu\text{A}$
$V_{OL}$	Low-level output voltage	$V_{CC} = \text{MIN}, V_{IH} = 2 \text{ V}, V_{IL} = V_{ILmax}$	$I_{OL} = 12 \text{ mA}$		0.25 0.4		0.25 0.4		V
			$I_{OL} = 24 \text{ mA}$				0.35 0.5		V
$I_I$	Input current at maximum input voltage	A,B,C input	$V_{CC} = \text{MAX}, V_I = 5.5 \text{ V}$			0.1			mA
		All others	$V_{CC} = \text{MAX}, V_I = 7 \text{ V}$			0.1			
$I_{IH}$	High-level input current	$V_{CC} = \text{MAX}, V_I = 2.7 \text{ V}$	20			20			$\mu\text{A}$
$I_{IL}$	Low-level input current	$V_{CC} = \text{MAX}, V_I = 0.4 \text{ V}$	-0.4			-0.4			mA
$I_{CC}$	Supply current	Outputs low	62 90			62 90			mA
		Outputs disabled	$V_{CC} = \text{MAX}, \text{Outputs open}$			64 95			

†For conditions shown as MIN or MAX, use the appropriate value specified under recommended operating conditions.

‡All typical values are at  $V_{CC} = 5 \text{ V}, T_A = 25^\circ\text{C}$ .

switching characteristics at  $V_{CC} = 5 \text{ V}, R_L = 667 \Omega, C_L = 45 \text{ pF}, T_A = 25^\circ\text{C}$ , see Note 2

PARAMETER	FROM (INPUT)	TO (OUTPUT)	'LS440			'LS441			'LS448			UNIT
			MIN	TYP	MAX	MIN	TYP	MAX	MIN	TYP	MAX	
$t_{PLH}$	Propagation delay time, low-to-high level output	A	B	24	35	21	30	21	30	21	30	ns
		A	C	24	35	21	30	21	30	21	30	
		B	A	24	35	21	30	21	30	21	30	
		B	C	24	35	21	30	24	35	24	35	
		C	A	24	35	21	30	21	30	21	30	
		C	B	24	35	21	30	24	35	24	35	
$t_{PHL}$	Propagation delay time, high-to-low level output	A	B	20	30	9	15	9	15	9	15	ns
		A	C	20	30	9	15	9	15	9	15	
		B	A	20	30	9	15	9	15	9	15	
		B	C	20	30	9	15	20	30	20	30	
		C	A	20	30	9	15	9	15	9	15	
		C	B	20	30	9	15	20	30	20	30	
$t_{PLH}$	Propagation delay time, low-to-high level output	any $\bar{G}$	A, B, C	29	45	23	35	25	40	25	40	ns
		S0, S1	A, B, C	33	50	27	40	26	40	26	40	
		$\bar{CS}$	A, B, C	31	45	26	40	25	40	25	40	
$t_{PHL}$	Propagation delay time, high-to-low level output	any $\bar{G}$	A, B, C	27	40	20	30	22	35	22	35	ns
		S0, S1	A, B, C	32	50	26	40	27	40	27	40	
		$\bar{CS}$	A, B, C	28	45	21	30	22	35	22	35	

NOTE 2: Load circuit and voltage waveforms are shown on page 3-11.

# TYPES SN54LS442, SN54LS443, SN54LS444, SN74LS442, SN74LS443, SN74LS444

## QUAD TRIDIRECTIONAL BUS TRANSCEIVERS WITH 3-STATE OUTPUTS

recommended operating conditions

	SN54LS442 SN54LS443 SN54LS444			SN74LS442 SN74LS443 SN74LS444			UNIT
	MIN	NOM	MAX	MIN	NOM	MAX	
Supply voltage, $V_{CC}$ (see Note 1)	4.5	5	5.5	4.75	5	5.25	V
High-level output current, $I_{OH}$			-12			-15	mA
Low-level output current, $I_{OL}$			12			24	mA
Operating free-air temperature, $T_A$	-55		125	0		70	°C

NOTE 1: Voltage values are with respect to the network ground terminal.

electrical characteristics over recommended operating free-air temperature range (unless otherwise noted)

PARAMETER		TEST CONDITIONS†	SN54LS*		SN74LS*		UNIT
			MIN	TYP‡	MAX	MIN	
$V_{IH}$	High-level input voltage		2		2		V
$V_{IL}$	Low-level input voltage		0.5		0.6		V
$V_{IK}$	Input clamp voltage	$V_{CC} = \text{MIN}, I_I = -18 \text{ mA}$	-1.5		-1.5		V
	Hysteresis ( $V_{T+} - V_{T-}$ ) A,B,C input	$V_{CC} = \text{MIN}$	0.1	0.4	0.2	0.4	V
$V_{OH}$	High-level output voltage	$V_{CC} = \text{MIN}, V_{IH} = 2 \text{ V}, V_{IL} = V_{IL\text{max}}$	$I_{OH} = -3 \text{ mA}$		2.4 3.4		V
			$I_{OH} = \text{MAX}$		2		
$V_{OL}$	Low-level output voltage	$V_{CC} = \text{MIN}, V_{IH} = 2 \text{ V}, V_{IL} = V_{IL\text{max}}$	$I_{OL} = 12 \text{ mA}$		0.25 0.4		V
			$I_{OL} = 24 \text{ mA}$		0.35 0.5		
$I_{OZH}$	Off-state output current, high-level voltage applied	$V_{CC} = \text{MAX}, CS \text{ at } 2 \text{ V}$	$V_O = 2.7 \text{ V}$		20		$\mu\text{A}$
$I_{OZL}$	Off-state output current, low-level voltage applied		$V_O = 0.4 \text{ V}$		-400		
$I_I$	Input current at maximum input voltage	A, B, C Others	$V_{CC} = \text{MAX}$		$V_I = 5.5 \text{ V}$		mA
					$V_I = 7 \text{ V}$		
$I_{IH}$	High-level input current	$V_{CC} = \text{MAX}, V_I = 2.7 \text{ V}$	20		20		$\mu\text{A}$
$I_{IL}$	Low-level input current	$V_{CC} = \text{MAX}, V_I = 0.4 \text{ V}$	-0.4		-0.4		mA
$I_{OS}$	Short circuit output current¶	$V_{CC} = \text{MAX}$	-40	-225	-40	-225	mA
$I_{CC}$	Supply current	$V_{CC} = \text{MAX},$ Outputs open	Outputs low		62 90		mA
			Outputs at Hi-Z		64 95		

† For conditions shown as MIN or MAX, use the appropriate value specified under recommended operating conditions.

‡ All typical values are at  $V_{CC} = 5 \text{ V}, T_A = 25^\circ\text{C}$ .

¶ Not more than one output should be shorted at a time, and duration of the short circuit should not exceed one second.



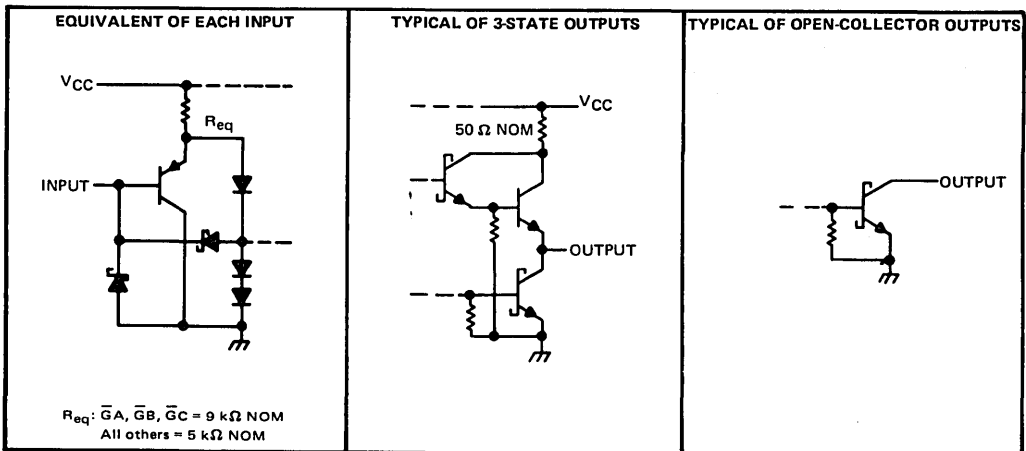
# TYPES SN54LS442, SN54LS443, SN54LS444, SN74LS442, SN74LS443, SN74LS444 QUAD TRIDIRECTIONAL BUS TRANSCEIVERS WITH 3-STATE OUTPUTS

switching characteristics,  $V_{CC} = 5\text{ V}$ ,  $T_A = 25^\circ\text{C}$ , see Note 2

PARAMETER	FROM (INPUT)	TO (OUTPUT)	TEST CONDITIONS	'LS442			'LS443			'LS444			UNIT
				MIN	TYP	MAX	MIN	TYP	MAX	MIN	TYP	MAX	
$t_{PLH}$ Propagation delay time, low-to-high level output	A	B	$C_L = 45\text{ pF}$ , $R_L = 667\ \Omega$	10	14	9	14	9	14	ns			
	A	C		10	14	9	14	9	14				
	B	A		10	14	9	14	9	14				
	B	C		10	14	9	14	10	14				
	C	A		10	14	9	14	9	14				
	C	B		10	14	9	14	10	14				
$t_{PHL}$ Propagation delay time, high-to-low level output	A	B		13	20	7	13	7	13	ns			
	A	C		13	20	7	13	7	13				
	B	A		13	20	7	13	7	13				
	B	C		13	20	7	13	13	20				
	C	A		13	20	7	13	7	13				
	C	B		13	20	7	13	13	20				
$t_{PZL}$ Output enable time to low level	Any $\bar{G}$	A, B, C		22	33	22	33	22	33	ns			
	S0 or S1	A, B, C		28	42	28	42	28	42				
	$\bar{CS}$	A, B, C		23	36	24	36	23	36				
$t_{PZH}$ Output enable time to high level	$\bar{G}$ , S, $\bar{CS}$	A, B, C		21	32	20	32	24	32	ns			
$t_{PLZ}$ Output disable time from low level	$\bar{G}$ , S, $\bar{CS}$	A, B, C		14	25	15	25	14	25	ns			
$t_{PHZ}$ Output disable time from high level	$\bar{G}$ , S, $\bar{CS}$	A, B, C		14	25	15	25	14	25	ns			

NOTE 2: Load circuit and voltage waveforms are shown on page 3-11.

## schematics of inputs and outputs





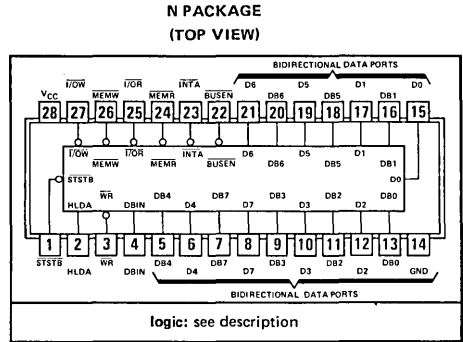
# TYPES SN74S428(TIM8228), SN74S438(TIM8238) CONTROLLER AND BUS DRIVER FOR 8080A SYSTEMS

BULLETIN NO. DL-S 12468, OCTOBER 1976

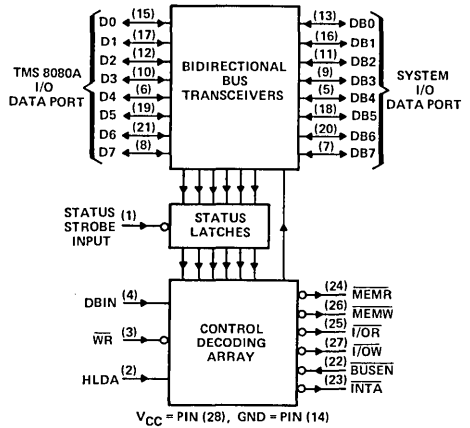
- Designed to Be Interchangeable with Intel 8228 and 8238

### PIN DESIGNATIONS

DESIGNATION	PIN NOS.	FUNCTION
D0 thru D7	15, 17, 12, 10, 6, 19, 21, 8	BIDIRECTIONAL DATA PORT (TO TMS 8080A)
DB0 thru DB7	13, 16, 11, 9, 5, 18, 20, 7	BIDIRECTIONAL DATA PORT (TO SYSTEM BUS)
I/OR	25	READ OUTPUT TO I/O (ACTIVE LOW)
I/O $\bar{W}$	27	WRITE OUTPUT TO I/O (ACTIVE LOW)
MEM $\bar{R}$	24	READ OUTPUT TO MEMORY (ACTIVE LOW)
MEM $\bar{W}$	26	WRITE OUTPUT TO MEMORY (ACTIVE LOW)
DBIN	4	INPUT TO INDICATE TMS 8080A IS IN INPUT MODE (ACTIVE HIGH)
INT $\bar{A}$	23	INTERRUPT ACKNOWLEDGE OUTPUT (ACTIVE LOW)
HLDA	2	HOLD ACKNOWLEDGE INPUT (ACTIVE HIGH) FROM TMS 8080A
WR	3	INPUT TO INDICATE TMS 8080A IS IN WRITE MODE (ACTIVE LOW)
BUSEN	22	SYSTEM DATA PORT ENABLE INPUT (ACTIVE LOW)
STSTB	1	SYNCHRONIZING STATUS STROBE INPUT FROM SN74LS424 (TIM8224)
VCC	28	SUPPLY VOLTAGE (5 V)
GND	14	GROUND



### functional block diagram



### description

These monolithic Schottky-clamped<sup>†</sup>TTL system controllers are designed specifically to provide bus-driving and peripheral-control capabilities for interfacing memory and I/O devices with the 8080A in small to medium-large micro-computer systems.

A bidirectional eight-bit parallel bus driver is provided that isolates the 8080A bus from the memory and I/O data bus allowing the system designed to utilize cost-effective memory and peripheral devices while obtaining the maximum efficiency from the microprocessor. The TTL system drivers also provide increased fan-out with a lower impedance that enhances noise margins on the system bus.

Implementation of the status latches and control decoding array of the SN74S428/SN74S438 provides for using either a single-level interrupt vector RST7 for small systems, or multiple-byte call instructions for systems needing unlimited interrupt levels.

# TYPES SN74S428(TIM8228), SN74S438(TIM8238) CONTROLLER AND BUS DRIVER FOR 8080A SYSTEMS

## description (continued)

With respect to the system clocks, the SN74S438 is configured to generate an advanced response for I/O or memory write output signals to further simplify peripheral control implementation of complex systems. See Figure 3.

### 8-bit parallel bus transceiver

The 8-bit parallel bus transceiver buffers the 8080A data bus from the memory and I/O system bus by providing one port (DO through D7) to interface with the 8080A and another port (DB0 through DB7) to interface with the system devices. The 8080A side of the transceiver is designed specifically to interface with the microprocessor data bus ensuring not only that the processor output drive capabilities are adequate, but also that the inputs are driven with enhanced noise margins. The system bus side features high fan-out buffers designed to drive a number of system devices simultaneously and directly. The system port is rated to sink ten milliamperes of current and to source one milliampere of current at standard low-threshold voltage levels.

Status lines from the 8080A instruction-status decoder and the system bus enable input (BUSEN) provide complete transceiver directional and enable control to ensure integrity of both the processor data and the system bus data.

### status latches

During the beginning of each machine cycle, the six status latches receive status information from the 8080A data bus indicating the type of operation that will be performed. When the STSTB input goes low, the latches store the status data and generate the signals needed to enable and sequence the memory and I/O control outputs. The status words and types of machine cycles are enumerated in Table A.

TABLE A – STATUS WORDS

STATUS WORD	8080A STATUS OUTPUT								TYPE OF MACHINE CYCLE	'S428/'S438. COMMAND GENERATED
	D0	D1	D2	D3	D4	D5	D6	D7		
1	L	H	L	L	L	H	L	H	Instruction fetch	MEMR
2	L	H	L	L	L	L	L	H	Memory read	MEMR
3	L	L	L	L	L	L	L	L	Memory write	MEMW
4	L	H	H	L	L	L	L	H	Stack read	MEMR
5	L	L	H	L	L	L	L	L	Stack write	MEMW
6	L	H	L	L	L	L	H	L	Input read	I/OR
7	L	L	L	L	H	L	L	L	Output write	I/OW
8	H	H	L	L	L	H	L	L	Interrupt acknowledge	INTA
9	L	H	L	H	L	L	L	H	Halt acknowledge	NONE
10	H	H	L	H	L	H	L	L	Interrupt acknowledge at halt	INTA
	INTA	I/O	STACK	HLTA	OUT	M1	INP	MEMR		
	STATUS INFORMATION									

### decoding array

The decoding array receives enabling commands from the status latches and sequencing commands from the 8080A and generates memory and I/O read/write commands and an interrupt acknowledgement.

# TYPES SN74S428(TIM8228), SN74S438(TIM8238) CONTROLLER AND BUS DRIVER FOR 8080A SYSTEMS

## description (continued)

The read commands ( $\overline{\text{MEMR}}$ ,  $\overline{\text{I/OR}}$ ) and the interrupt acknowledgement ( $\overline{\text{INTA}}$ ) are derived from the status bit(s) and the data bus input mode (DBIN) signal. The write commands ( $\overline{\text{MEMW}}$ ,  $\overline{\text{I/OW}}$ ) are derived from the status bit(s) and the write mode ( $\overline{\text{WR}}$ ) signal. (See Table A.) All control commands are active low to simplify interfacing with memory and I/O controllers.

The interrupt acknowledgement ( $\overline{\text{INTA}}$ ) command output is actually a dual function pin. As an output, its function is to provide the  $\overline{\text{INTA}}$  command to the memory and I/O peripherals as decoded from the status inputs and latches. When CALL is used as an interrupt instruction, the SN74S428/SN74S428 generates the proper sequence of control signals. Additionally, the terminal includes high-threshold decoding logic that permits it to be biased through a one-kilohm series resistor to the 12-volt supply to implement an interrupt structure that automatically inserts an RST7 instruction on the bus when the DBIN input is active and an interrupt is acknowledged. This capability provides a single-level interrupt vector with minimal hardware.

The asynchronous bus enable ( $\overline{\text{BUSEN}}$ ) input to the decoding array is a control signal that protects the system bus. The system bus can be accessed and driven from the SN74S428/SN74S428 controller only when the  $\overline{\text{BUSEN}}$  input is at a low voltage level.

## absolute maximum ratings over operating free-air temperature range (unless otherwise noted)

Supply voltage, $V_{CC}$ (see Note 1)	7 V
Input voltage	7 V
Operating free-air temperature range	0°C to 70°C
Storage temperature range	-65°C to 150°C

NOTE 1: Voltage values are with respect to network ground terminal.

## recommended operating conditions

	MIN	NOM	MAX	UNIT
Supply voltage, $V_{CC}$	4.75	5	5.25	V
High-level output current, $I_{OH}$	D0 thru D7		-10	$\mu\text{A}$
	All others		-1	$\text{mA}$
Low-level output current, $I_{OL}$	D0 thru D7		2	$\text{mA}$
	All others		10	$\text{mA}$
Status strobe pulse width, $t_w(\text{STSTB})$ (see Figure 3)		22		ns
Setup time, $t_{SU}$ (see Figure 3)	Status inputs D0 thru D7	8		ns
	System bus inputs to HLDA	10		
Hold time, $t_H$ (see Figure 3)	Status inputs D0 thru D7	5		ns
	System bus inputs to HLDA	20		
Operating free-air temperature, $T_A$		0	70	°C

# TYPES SN74S428(TIM8228), SN74S438(TIM8238) CONTROLLER AND BUS DRIVER FOR 8080A SYSTEMS

electrical characteristics over recommended operating free-air temperature range (unless otherwise noted)

PARAMETER		TEST CONDITIONS	MIN	TYP <sup>‡</sup>	MAX	UNIT
V <sub>IH</sub>	High-level input voltage		2			V
V <sub>IL</sub>	Low-level input voltage		0.8			V
V <sub>IK</sub>	Input clamp voltage	V <sub>CC</sub> = MIN, I <sub>I</sub> = -5 mA	-1			V
V <sub>OH</sub>	High-level output voltage	D0 thru D7	V <sub>CC</sub> = MIN, V <sub>IH</sub> = 2 V,	3.6	4	V
		All other outputs	V <sub>IL</sub> = 0.8 V, I <sub>OH</sub> = MAX	2.4		
V <sub>OL</sub>	Low-level output voltage	V <sub>CC</sub> = MIN, V <sub>IH</sub> = 2 V, V <sub>IL</sub> = 0.8 V, I <sub>OL</sub> = MAX	0.45			V
I <sub>OZH</sub>	Off-state output current, high-level voltage applied	V <sub>CC</sub> = MAX, V <sub>O</sub> = 5.25 V	100			μA
I <sub>OZL</sub>	Off-state output current, low-level voltage applied	V <sub>CC</sub> = MAX, V <sub>O</sub> = 0.45 V	-100			μA
I <sub>IH</sub>	High-level input current	INTA	V <sub>CC</sub> = MIN, See Figure 1	5		mA
		D0 thru D7		20		
		All other inputs	V <sub>CC</sub> = MAX, V <sub>I</sub> = 5.25 V	100		
I <sub>IL</sub>	Low-level input current	D2 or D6		-750		μA
		STSTB	V <sub>CC</sub> = MAX, V <sub>I</sub> = 0.45 V	-500		
		All other inputs		-250		
				-15		
I <sub>OS</sub>	Short-circuit output current <sup>§</sup>	V <sub>CC</sub> = MAX	-15	-90		mA
I <sub>CC</sub>	Supply current	V <sub>CC</sub> = MAX	140		190	mA

<sup>†</sup> For conditions shown as MIN or MAX, use the appropriate value specified under recommended operating conditions.

<sup>‡</sup> All typical values are at V<sub>CC</sub> = 5 V, T<sub>A</sub> = 25°C.

<sup>§</sup> Not more than one output should be shorted at a time.

switching characteristics, V<sub>CC</sub> = 5 V, T<sub>A</sub> = 25°C, see figure 3

PARAMETER <sup>¶</sup>	FROM (INPUT)	TO (OUTPUT)	TEST CONDITIONS	MIN	TYP	MAX	UNIT
t <sub>PD</sub>	D0 thru D7	DB0 thru DB7	C <sub>L</sub> = 100 pF, See Figure 2	5		40	ns
t <sub>PD</sub>	DB0 thru DB7	D0 thru D7	C <sub>L</sub> = 25 pF, See Figure 2			30	ns
t <sub>PHL</sub>	STSTB	INTA, I/OR, MEMR, I/OW, MEMW		20		60	ns
t <sub>PD</sub>	WR	I/OW, MEMW	C <sub>L</sub> = 100 pF, See Figure 2	5		45	ns
t <sub>PLH</sub>	DBIN	INTA, I/OR, MEMR				30	ns
t <sub>PLH</sub>	HLDA	INTA, I/OR, MEMR				25	ns
t <sub>PZX</sub>	DBIN	D0 thru D7				45	ns
t <sub>PXZ</sub>	DBIN	D0 thru D7	C <sub>L</sub> = 25 pF, See Figure 2			45	ns
t <sub>PZX</sub>	STSTB, BUSEN	DB0 thru DB7				30	ns
t <sub>PXZ</sub>	BUSEN	DB0 thru DB7	C <sub>L</sub> = 100 pF, See Figure 2			30	ns

<sup>¶</sup> t<sub>PD</sub> ≡ propagation delay time

t<sub>PHL</sub> ≡ propagation delay time, high-to-low-level output

t<sub>PLH</sub> ≡ propagation delay time, low-to-high-level output

t<sub>PZX</sub> ≡ output enable time from high-impedance state

t<sub>PXZ</sub> ≡ output disable time to high-impedance state

# TYPES SN74S428(TIM8228), SN74S438(TIM8238) CONTROLLER AND BUS DRIVER FOR 8080A SYSTEMS

## PARAMETER MEASUREMENT INFORMATION

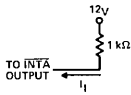


FIGURE 1—INTA INPUT CURRENT TEST CIRCUIT

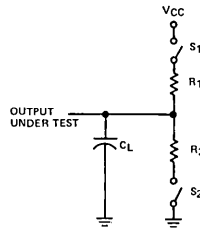
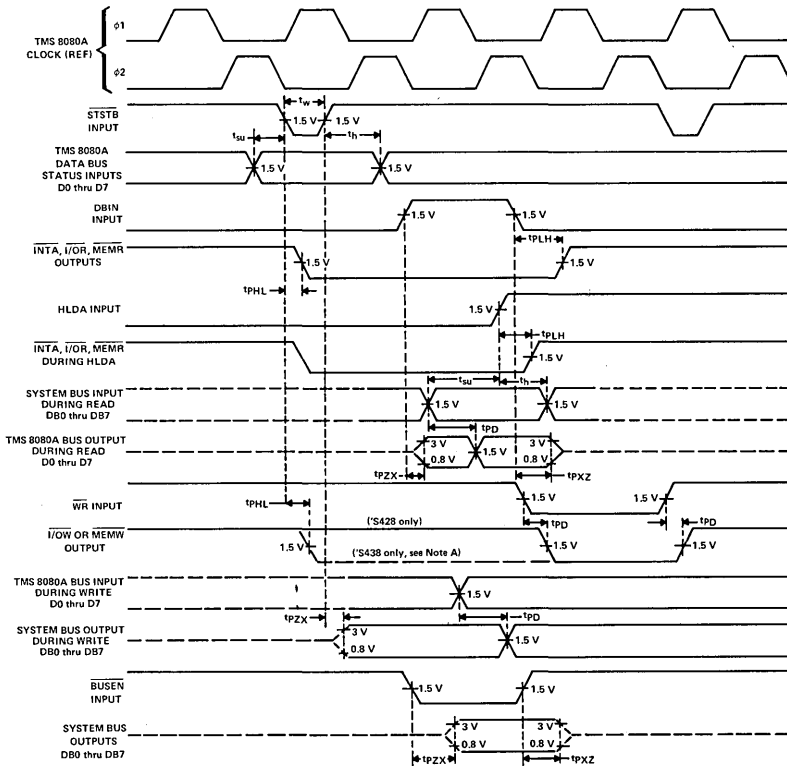


FIGURE 2—SWITCHING CHARACTERISTICS LOAD CIRCUIT



NOTE A: Advanced response of I/OW or MEMW for the SN74S438 is indicated by the dashed line.

FIGURE 3—VOLTAGE WAVEFORMS

# TYPES SN74S428(TIM8228), SN74S438(TIM8238) CONTROLLER AND BUS DRIVER FOR 8080A SYSTEMS

## TYPICAL APPLICATION DATA

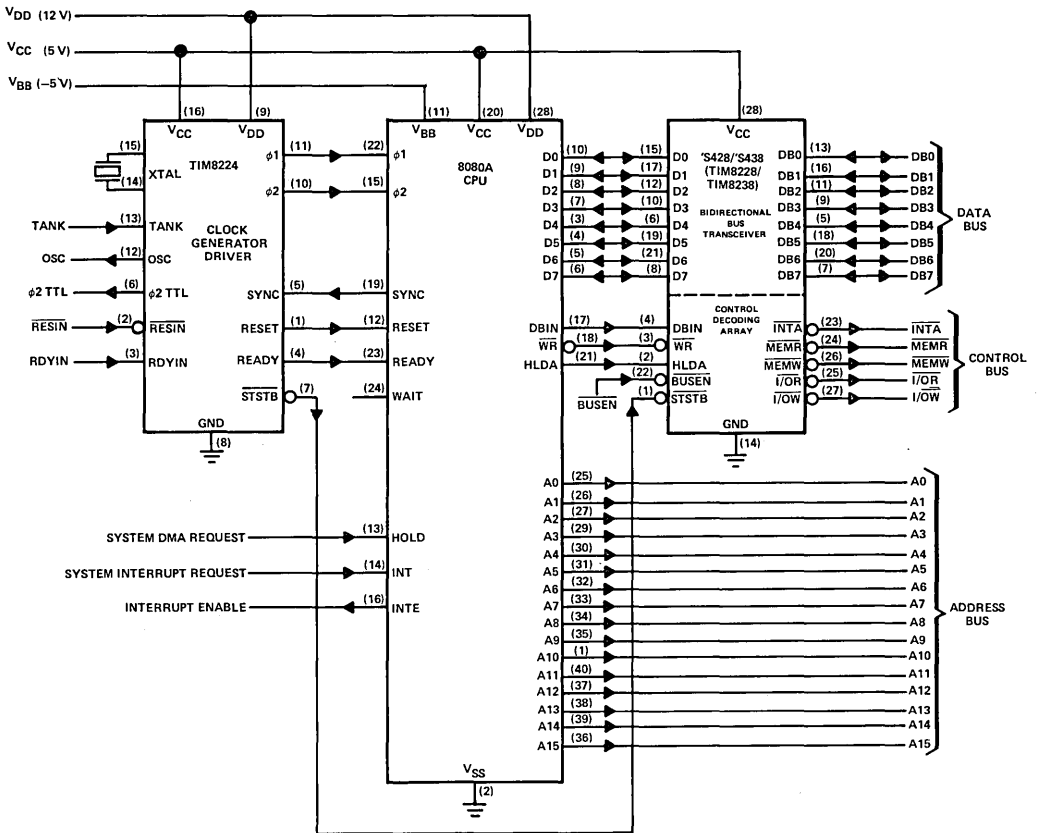


FIGURE 4—SYSTEM INTERFACING WITH CENTRAL PROCESSING UNIT



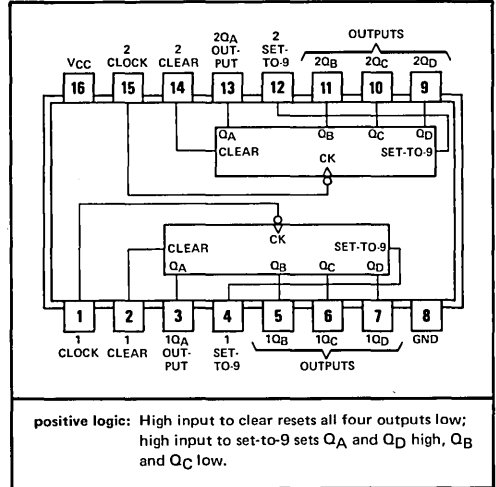
TTL  
MSI

# TYPES SN54490, SN54LS490, SN74490, SN74LS490 DUAL 4-BIT DECADE COUNTERS

BULLETIN NO. DL-S 7612089, OCTOBER 1976

- Dual Versions of Popular SN5490A, SN54LS90, SN7490A, and SN74LS90 Counters
- Individual Clock, Direct Clear, and Set-to-9 Inputs for Each Decade Counter
- Dual Counters Can Significantly Improve System Densities as Package Count Can Be Reduced by 50%
- Maximum Count Frequency . . . 35 MHz Typical
- Buffered Outputs Reduce Possibility of Collector Commutation

SN54490 . . . J OR W PACKAGE  
SN74490 . . . J OR N PACKAGE  
(TOP VIEW)



### description

Each of these monolithic circuits contains eight master-slave flip-flops and additional gating to implement two individual 4-bit decade counters in a single package. Each decade counter has individual clock, clear, and set-to-9 inputs. BCD count sequences of any length up to divide-by-100 may be implemented with a single '490 or 'LS490. Buffering on each output is provided to ensure that susceptibility to collector commutation is reduced significantly. All inputs are diode-clamped to reduce the effects of line ringing. The counters have parallel outputs from each counter stage so that submultiples of the input count frequency are available for system timing signals.

The SN54490 and SN54LS490 are characterized for operation over the full military temperature range of -55°C to 125°C; the SN74490 and SN74LS490 are characterized for use in industrial systems operating from 0°C to 70°C.

BCD COUNT SEQUENCE  
(EACH COUNTER)

COUNT	OUTPUT			
	Q <sub>D</sub>	Q <sub>C</sub>	Q <sub>B</sub>	Q <sub>A</sub>
0	L	L	L	L
1	L	L	L	H
2	L	L	H	L
3	L	L	H	H
4	L	H	L	L
5	L	H	L	H
6	L	H	H	L
7	L	H	H	H
8	H	L	L	L
9	H	L	L	H

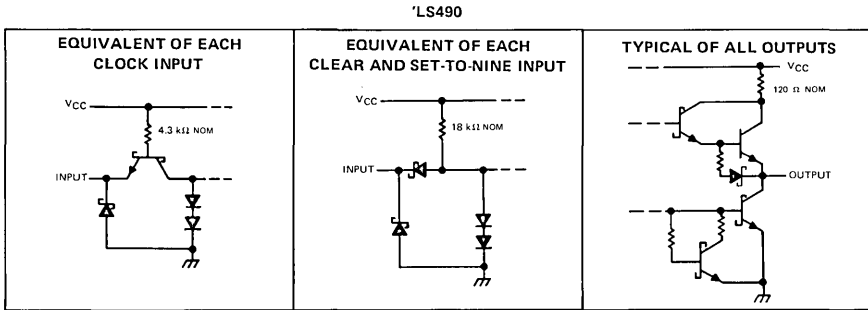
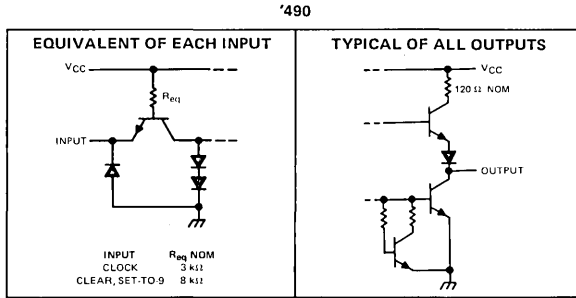
CLEAR/SET-TO-9  
FUNCTION TABLE  
(EACH COUNTER)

INPUTS		OUTPUTS			
CLEAR	SET-TO-9	Q <sub>A</sub>	Q <sub>B</sub>	Q <sub>C</sub>	Q <sub>D</sub>
H	L	L	L	L	L
L	H	H	L	L	H
L	L	COUNT			

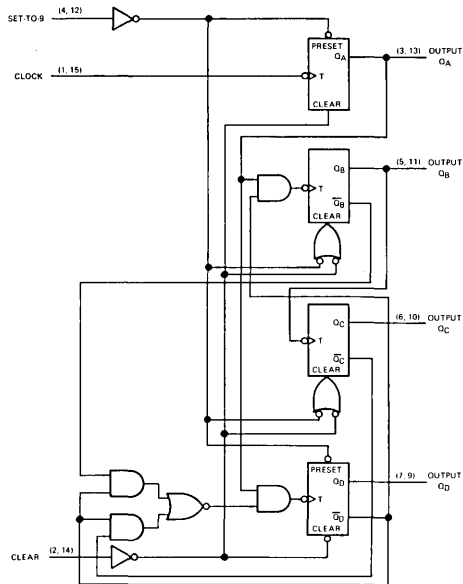
H = high level, L = low level

# TYPES SN54490, SN54LS490, SN74490, SN74LS490 DUAL 4-BIT DECADE COUNTERS

schematics of inputs and outputs



functional block diagram (each counter)



7

# TYPES SN54490, SN74490

## DUAL 4-BIT DECADE COUNTERS

absolute maximum ratings over operating free-air temperature range (unless otherwise noted)

Supply voltage, $V_{CC}$ (see Note 1)	7 V
Input voltage	5.5 V
Operating free-air temperature range: SN54490	-55°C to 125°C
SN74490	0°C to 70°C
Storage temperature range	-65°C to 150°C

NOTE 1: Voltage values are with respect to network ground terminal.

### recommended operating conditions

	SN54490			SN74490			UNIT
	MIN	NOM	MAX	MIN	NOM	MAX	
Supply voltage, $V_{CC}$	4.5	5	5.5	4.75	5	5.25	V
High-level output current, $I_{OH}$			-800			-800	$\mu$ A
Low-level output current, $I_{OL}$			16			16	mA
Count frequency, $f_{count}$	0		25	0		25	MHz
Pulse width, $t_w$ (any input)		20			20		ns
Clear or set-to-9 inactive-state setup time, $t_{SU}$	25 $\downarrow$			25 $\downarrow$			ns
Operating free-air temperature, $T_A$	-55		125	0		70	°C

↓The arrow indicates that the falling edge of the clock pulse is used for reference.

### electrical characteristics over recommended operating free-air temperature range (unless otherwise noted)

PARAMETER		TEST CONDITIONS†	MIN	TYP‡	MAX	UNIT
$V_{IH}$	High-level input voltage		2			V
$V_{IL}$	Low-level input voltage			0.8		V
$V_{IK}$	Input clamp voltage	$V_{CC} = \text{MIN}, I_I = -12 \text{ mA}$			-1.5	V
$V_{OH}$	High-level output voltage	$V_{CC} = \text{MIN}, V_{IH} = 2 \text{ V}, V_{IL} = 0.8 \text{ V}, I_{OH} = -800 \mu\text{A}$	2.4	3.4		V
$V_{OL}$	Low-level output voltage	$V_{CC} = \text{MIN}, V_{IH} = 2 \text{ V}, V_{IL} = 0.8 \text{ V}, I_{OL} = 16 \text{ mA}$		0.2	0.4	V
$I_I$	Input current at maximum input voltage	$V_{CC} = \text{MAX}, V_I = 5.5 \text{ V}$			1	mA
$I_{IH}$	High-level input current	Clear, set-to-9	$V_{CC} = \text{MAX}, V_I = 2.4 \text{ V}$		40	$\mu$ A
		Clock			80	
$I_{IL}$	Low-level input current	Clear, set-to-9	$V_{CC} = \text{MAX}, V_I = 0.4 \text{ V}$		-1	mA
		Clock			-3.2	
$I_{OS}$	Short-circuit output current§	$V_{CC} = \text{MAX}$	SN54490	-20	-57	mA
			SN74490	-18	-57	
$I_{CC}$	Supply current	$V_{CC} = \text{MAX}$ , See Note 2		45	70	mA

†For conditions shown as MIN or MAX, use the appropriate value specified under recommended operating conditions.

‡All typical values are at  $V_{CC} = 5 \text{ V}, T_A = 25^\circ\text{C}$ .

§Not more than one output should be shorted at a time.

NOTE 2:  $I_{CC}$  is measured with all outputs open, both clear inputs grounded following momentary connection to 4.5 V, and all other inputs grounded.

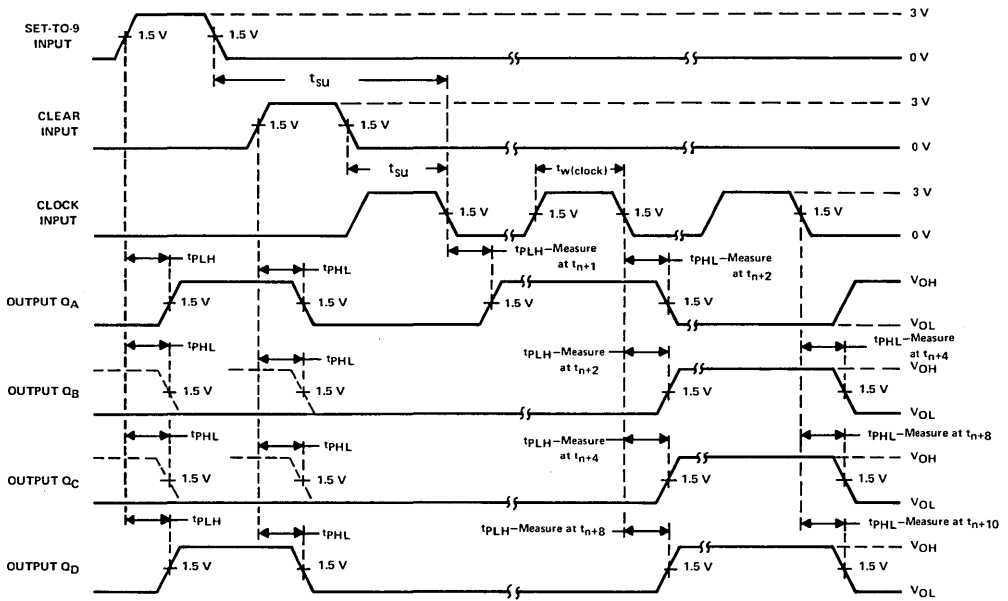
# TYPES SN54490, SN74490 DUAL 4-BIT DECADE COUNTERS

switching characteristics,  $V_{CC} = 5\text{ V}$ ,  $T_A = 25^\circ\text{C}$

PARAMETER <sup>†</sup>	FROM (INPUT)	TO (OUTPUT)	TEST CONDITIONS	MIN	TYP	MAX	UNIT
$f_{max}$	Clock	$Q_A$	$C_L = 15\text{ pF}$ , $R_L = 400\ \Omega$ , See Figure 1 and Note 3	25	35		MHz
$t_{PLH}$	Clock	$Q_A$		12	20		ns
$t_{PHL}$				13	20		
$t_{PLH}$	Clock	$Q_B, Q_D$		24	39		ns
$t_{PHL}$				26	39		
$t_{PLH}$	Clock	$Q_C$		32	54		ns
$t_{PHL}$				36	54		
$t_{PHL}$	Clear	Any		24	39		ns
$t_{PLH}$	Set-to-9	$Q_A, Q_D$		24	39		ns
$t_{PHL}$		$Q_B, Q_C$		20	36		

<sup>†</sup> $f_{max}$   $\equiv$  maximum count frequency  
 $t_{PLH}$   $\equiv$  propagation delay time, low-to-high-level output  
 $t_{PHL}$   $\equiv$  propagation delay time, high-to-low-level output

NOTE 3: Load circuit is shown on page 3-10.



VOLTAGE WAVEFORMS

NOTES: A. Input pulses are supplied by a generator having the following characteristics:  $t_r \leq 5\text{ ns}$ ,  $t_f \leq 5\text{ ns}$ ,  $PRR = 1\text{ MHz}$ , duty cycle = 50%,  $Z_{out} \approx 50\ \text{ohms}$ .

FIGURE 1

# TYPES SN54LS490 SN74LS490

## DUAL 4-BIT DECADE COUNTERS

REVISED DECEMBER 1980

### absolute maximum ratings over operating free-air temperature range (unless otherwise noted)

Supply voltage, $V_{CC}$ (see Note 1)	7 V
Clear and set-to-9 input voltage	7 V
Clock input voltage	5.5 V
Operating free-air temperature range: SN54LS490	-55°C to 125°C
SN74LS490	0°C to 70°C
Storage temperature range	-65°C to 150°C

NOTE 1: Voltage values are with respect to network ground terminal.

### recommended operating conditions

	SN54LS490			SN74LS490			UNIT
	MIN	NOM	MAX	MIN	NOM	MAX	
Supply voltage, $V_{CC}$	4.5	5	5.5	4.75	5	5.25	V
High-level output current, $I_{OH}$			-400			-400	$\mu$ A
Low-level output current, $I_{OL}$			4			8	mA
Count frequency, $f_{count}$	0		25	0		25	MHz
Pulse width, $t_w$ (any input)	20			20			ns
Clear or set-to-9 inactive-state setup time, $t_{SU}$	25			25			ns
Operating free-air temperature, $T_A$	-55		125	0		70	°C

↓ The arrow indicates that the falling edge of the clock pulse is used for reference.

### electrical characteristics over recommended operating free-air temperature range (unless otherwise noted)

PARAMETER		TEST CONDITIONS†	SN54LS490			SN74LS490			UNIT	
			MIN	TYP‡	MAX	MIN	TYP‡	MAX		
$V_{IH}$	High-level input voltage		2			2			V	
$V_{IL}$	Low-level input voltage				0.7			0.8	V	
$V_{IK}$	Input clamp voltage	$V_{CC} = \text{MIN}, I_I = -18 \text{ mA}$			-1.5			-1.5	V	
$V_{OH}$	High-level output voltage	$V_{CC} = \text{MIN}, V_{IH} = 2 \text{ V}, V_{IL} = V_{ILmax}$	2.5	3.4		2.7	3.4		V	
$V_{OL}$	Low-level output voltage	$V_{CC} = \text{MIN}, V_{IH} = 2 \text{ V}, V_{IL} = V_{ILmax}$			0.25	0.4		0.25	0.4	V
							0.35	0.5		
$I_I$	Input current at maximum input voltage	Clear, set-to-9			0.1			0.1	mA	
		Clock			0.2			0.2		
$I_{IH}$	High-level input current	Clear, set-to-9			20			20	$\mu$ A	
		Clock			100			100		
$I_{IL}$	Low-level input current	Clear, set-to-9			-0.4			-0.4	mA	
		Clock			-1.6			-1.6		
$I_{OS}$	Short-circuit output current§	$V_{CC} = \text{MAX}$	-20		-100		-20		-100	mA
$I_{CC}$	Supply current	$V_{CC} = \text{MAX},$ See Note 2		15	26		15	26	mA	

† For conditions shown as MIN or MAX, use the appropriate value specified under recommended operating conditions.

‡ All typical values are at  $V_{CC} = 5 \text{ V}, T_A = 25^\circ \text{C}$ .

§ Not more than one output should be shorted at a time, and duration of the short-circuit should not exceed one second.

NOTE 2:  $I_{CC}$  is measured with all outputs open, both clear inputs grounded following momentary connection to 4.5 V, and all other inputs grounded.

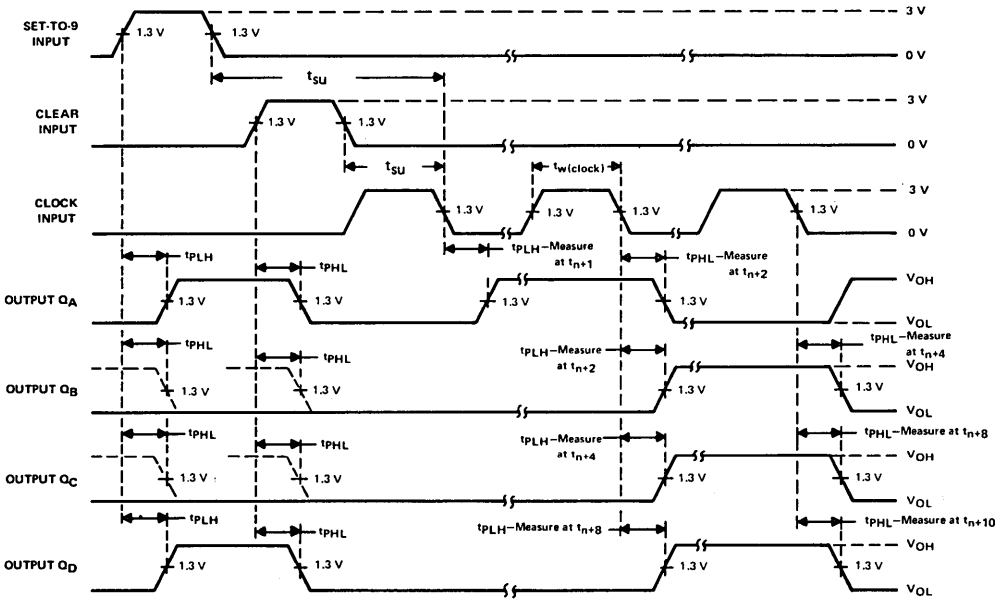
# TYPES SN54LS490, SN74LS490 DUAL 4-BIT DECADE COUNTERS

switching characteristics,  $V_{CC} = 5\text{ V}$ ,  $T_A = 25^\circ\text{C}$

PARAMETER <sup>†</sup>	FROM (INPUT)	TO (OUTPUT)	TEST CONDITIONS	MIN	TYP	MAX	UNIT
$f_{\text{max}}$	Clock	$Q_A$	$C_L = 15\text{ pF}$ , $R_L = 2\text{ k}\Omega$ See Figure 2 and Note 4	25	35		MHz
$t_{\text{PLH}}$	Clock	$Q_A$		12	20		ns
$t_{\text{PHL}}$				13	20		
$t_{\text{PLH}}$	Clock	$Q_B, Q_D$		24	39		ns
$t_{\text{PHL}}$				26	39		
$t_{\text{PLH}}$	Clock	$Q_C$		32	54		ns
$t_{\text{PHL}}$				36	54		
$t_{\text{PHL}}$	Clear	Any		24	39		ns
$t_{\text{PLH}}$	Set-to-9	$Q_A, Q_D$		24	39		ns
$t_{\text{PHL}}$				$Q_B, Q_C$	20	36	

<sup>†</sup> $f_{\text{max}}$   $\equiv$  maximum count frequency  
 $t_{\text{PLH}}$   $\equiv$  propagation delay time, low-to-high-level output  
 $t_{\text{PHL}}$   $\equiv$  propagation delay time, high-to-low-level output

NOTE 4: Load circuit is shown on page 3-11.



VOLTAGE WAVEFORMS

NOTES: A. Input pulses are supplied by a generator having the following characteristics:  $t_r \leq 15\text{ ns}$ ,  $t_f \leq 6\text{ ns}$ ,  $\text{PRR} = 1\text{ MHz}$ , duty cycle = 50%,  $Z_{\text{out}} \approx 50\text{ ohms}$ .

FIGURE 2



# TYPES SN54LS670, SN74LS670 4-BY-4 REGISTER FILES WITH 3-STATE OUTPUTS

REVISED OCTOBER 1976

## logic

WRITE FUNCTION TABLE (SEE NOTES A, B, AND C)

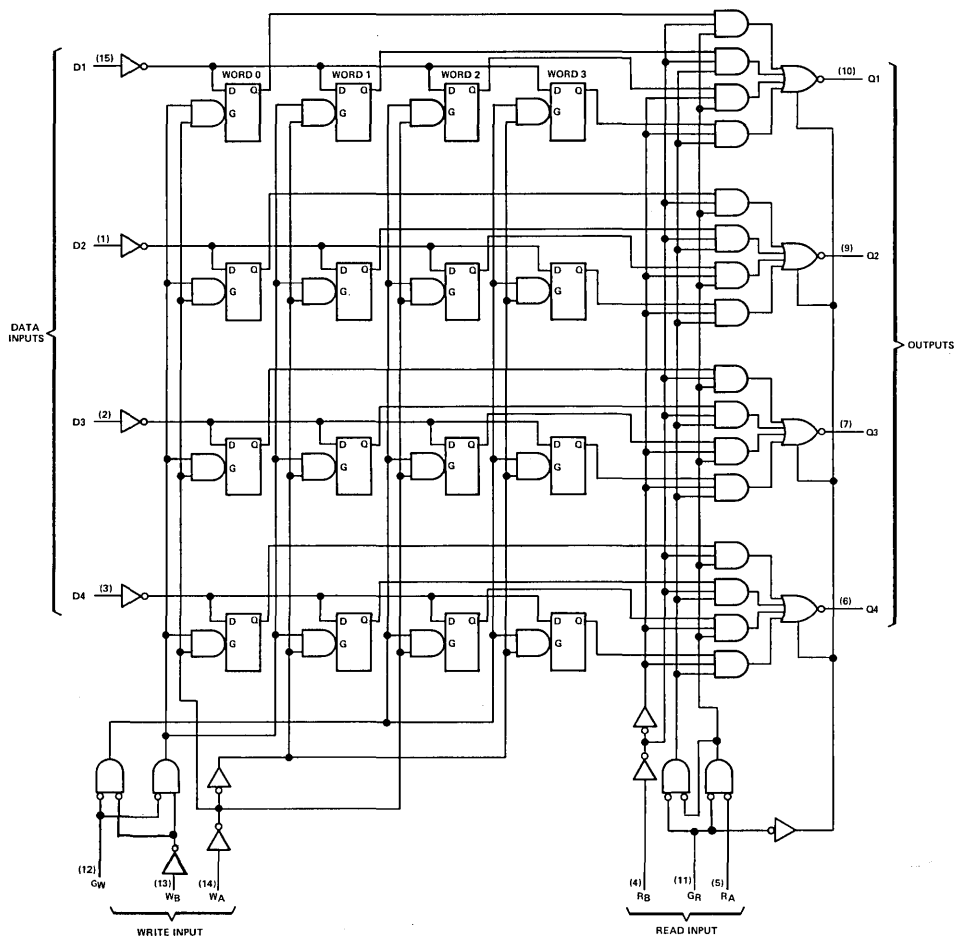
WRITE INPUTS			WORD			
W <sub>B</sub>	W <sub>A</sub>	G <sub>W</sub>	0	1	2	3
L	L	L	Q = D	Q <sub>0</sub>	Q <sub>0</sub>	Q <sub>0</sub>
L	H	L	Q <sub>0</sub>	Q = D	Q <sub>0</sub>	Q <sub>0</sub>
H	L	L	Q <sub>0</sub>	Q <sub>0</sub>	Q = D	Q <sub>0</sub>
H	H	L	Q <sub>0</sub>	Q <sub>0</sub>	Q <sub>0</sub>	Q = D
X	X	H	Q <sub>0</sub>	Q <sub>0</sub>	Q <sub>0</sub>	Q <sub>0</sub>

READ FUNCTION TABLE (SEE NOTES A AND D)

READ INPUTS			OUTPUTS			
R <sub>B</sub>	R <sub>A</sub>	G <sub>R</sub>	Q1	Q2	Q3	Q4
L	L	L	W0B1	W0B2	W0B3	W0B4
L	H	L	W1B1	W1B2	W1B3	W1B4
H	L	L	W2B1	W2B2	W2B3	W2B4
H	H	L	W3B1	W3B2	W3B3	W3B4
X	X	H	Z	Z	Z	Z

- NOTES: A. H = high level, L = low level, X = irrelevant, Z = high impedance (off)  
 B. (Q = D) = The four selected internal flip-flop outputs will assume the states applied to the four external data inputs.  
 C. Q<sub>0</sub> = the level of Q before the indicated input conditions were established.  
 D. W0B1 = The first bit of word 0, etc.

## functional block diagram



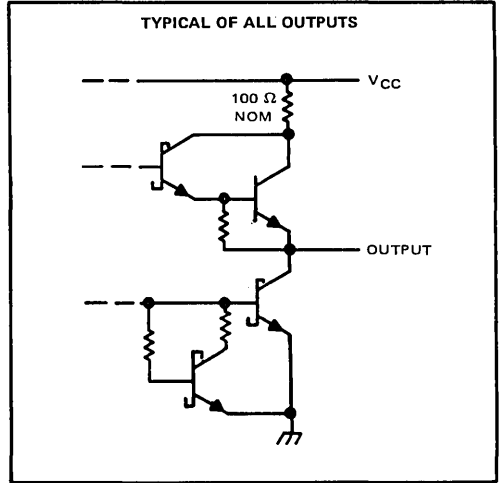
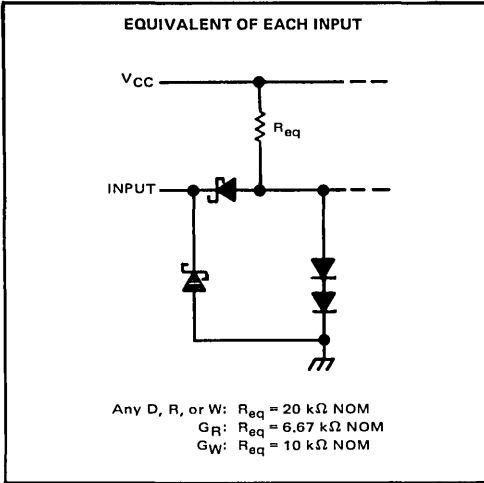
7



# TYPES SN54LS670, SN74LS670

## 4-BY-4 REGISTER FILES WITH 3-STATE OUTPUTS

### schematics of inputs and outputs



### absolute maximum ratings over operating free-air temperature range (unless otherwise noted)

Supply voltage, $V_{CC}$ (see Note 1)	7 V
Input voltage	7 V
Off-state output voltage	5.5 V
Operating free-air temperature range: SN54LS670	-55°C to 125°C
SN74LS670	0°C to 70°C
Storage temperature range	-65°C to 150°C

### recommended operating conditions

	SN54LS670			SN74LS670			UNIT
	MIN	NOM	MAX	MIN	NOM	MAX	
Supply voltage, $V_{CC}$	4.5	5	5.5	4.75	5	5.25	V
High-level output current, $I_{OH}$			-1			-2.6	mA
Low-level output current, $I_{OL}$			4			8	mA
Width of write-enable or read-enable pulse, $t_w$		25			25		ns
Setup times, high- or low-level data (see Figure 2)	Data input with respect to write enable, $t_{su}(D)$		10	Data input with respect to write enable, $t_{su}(D)$		10	ns
	Write select with respect to write enable, $t_h(W)$		15	Write select with respect to write enable, $t_h(W)$		15	ns
Hold times, high- or low-level data (see Note 2 and Figure 2)	Data input with respect to write enable, $t_h(D)$		15	Data input with respect to write enable, $t_h(D)$		15	ns
	Write select with respect to write enable, $t_h(W)$		5	Write select with respect to write enable, $t_h(W)$		5	ns
Latch time for new data, $t_{latch}$ (see Note 3)		25			25		ns
Operating free-air temperature range, $T_A$		-55	125		0	70	°C

- NOTES: 1. Voltage values are with respect to network ground terminal.
2. Write-select setup time will protect the data written into the previous address. If protection of data in the previous address is not required,  $t_{su}(W)$  can be ignored as any address selection sustained for the final 30 ns of the write-enable pulse and during  $t_h(W)$  will result in data being written into that location. Depending on the duration of the input conditions, one or a number of previous addresses may have been written into.
3. Latch time is the time allowed for the internal output of the latch to assume the state of new data. See Figure 2. This is important only when attempting to read from a location immediately after that location has received new data.

# TYPES SN54LS670, SN74LS670

## 4-BY-4 REGISTER FILES WITH 3-STATE OUTPUTS

REVISED DECEMBER 1980

electrical characteristics over recommended operating free-air temperature range (unless otherwise noted)

PARAMETER	TEST CONDITIONS†	SN54LS670		SN74LS670		UNIT
		MIN	TYP‡	MAX	MIN	
V <sub>IH</sub> High-level input voltage		2		2		V
V <sub>IL</sub> Low-level input voltage				0.7		0.8
V <sub>IK</sub> Input clamp voltage	V <sub>CC</sub> = MIN, I <sub>I</sub> = -18 mA			-1.5		-1.5
V <sub>OH</sub> High-level output voltage	V <sub>CC</sub> = MIN, V <sub>IH</sub> = 2 V, V <sub>IL</sub> = V <sub>IL</sub> max	I <sub>OH</sub> = -1 mA		2.4 3.4		V
		I <sub>OH</sub> = -2.6 mA		2.4 3.1		
V <sub>OL</sub> Low-level output voltage	V <sub>CC</sub> = MIN, V <sub>IH</sub> = 2 V, V <sub>IL</sub> = V <sub>IL</sub> max	I <sub>OL</sub> = 4 mA		0.25 0.4		V
		I <sub>OL</sub> = 8 mA		0.35 0.5		
I <sub>OZH</sub> Off-state output current, high-level voltage applied	V <sub>CC</sub> = MAX, V <sub>IH</sub> = 2 V, V <sub>O</sub> = 2.7 V			20		20
I <sub>OZL</sub> Off-state output current, low-level voltage applied	V <sub>CC</sub> = MAX, V <sub>IH</sub> = 2 V, V <sub>O</sub> = 0.4 V			-20		-20
I <sub>I</sub> Input current at maximum input voltage	V <sub>CC</sub> = MAX, V <sub>I</sub> = 7 V	Any D, R, or W		0.1		0.1
		G <sub>W</sub>		0.2		0.2
		G <sub>R</sub>		0.3		0.3
I <sub>IH</sub> High-level input current	V <sub>CC</sub> = MAX, V <sub>I</sub> = 2.7 V	Any D, R, or W		20		20
		G <sub>W</sub>		40		40
		G <sub>R</sub>		60		60
I <sub>IL</sub> Low-level input current	V <sub>CC</sub> = MAX, V <sub>I</sub> = 0.4 V	Any D, R, or W		-0.4		-0.4
		G <sub>W</sub>		-0.8		-0.8
		G <sub>R</sub>		-1.2		-1.2
I <sub>OS</sub> Short-circuit output current‡	V <sub>CC</sub> = MAX	-30 -130		-30 -130		mA
I <sub>CC</sub> Supply current	V <sub>CC</sub> = MAX, See Note 4	30 50		30 50		mA

† For conditions shown as MIN or MAX, use the appropriate value specified under recommended operating conditions.

‡ All typical values are at V<sub>CC</sub> = 5 V, T<sub>A</sub> = 25°C.

§ Not more than one output should be shorted at a time, and duration of the short-circuit should not exceed one second.

NOTE 4: Maximum I<sub>CC</sub> is guaranteed for the following worst-case conditions: 4.5 V is applied to all data inputs and both enable inputs, all address inputs are grounded and all outputs are open.

switching characteristics, V<sub>CC</sub> = 5 V, T<sub>A</sub> = 25°C

PARAMETER†	FROM (INPUT)	TO (OUTPUT)	TEST CONDITIONS	MIN	TYP	MAX	UNIT
t <sub>PLH</sub>	Read select	Any Q	C <sub>L</sub> = 15 pF, R <sub>L</sub> = 2 kΩ, See Figures 1 and 2	23 40		ns	
t <sub>PHL</sub>				25 45			
t <sub>PLH</sub>	Write enable	Any Q	C <sub>L</sub> = 15 pF, R <sub>L</sub> = 2 kΩ, See Figures 1 and 3	26 45		ns	
t <sub>PHL</sub>				28 50			
t <sub>PLH</sub>	Data	Any Q	C <sub>L</sub> = 15 pF, R <sub>L</sub> = 2 kΩ, See Figures 1 and 3	25 45		ns	
t <sub>PHL</sub>				23 40			
t <sub>PZH</sub>	Read enable	Any Q	C <sub>L</sub> = 15 pF, R <sub>L</sub> = 2 kΩ, See Figures 1 and 4	15 35		ns	
t <sub>PZL</sub>				22 40			
t <sub>PHZ</sub>				30 50			
t <sub>PLZ</sub>			C <sub>L</sub> = 5 pF, R <sub>L</sub> = 2 kΩ, See Figures 1 and 4	16 35		ns	

† t<sub>PLH</sub> = propagation delay time, low-to-high-level output

t<sub>PHL</sub> = propagation delay time, high-to-low-level output

t<sub>PZH</sub> = output enable time to high level

t<sub>PZL</sub> = output enable time to low level

t<sub>PHZ</sub> = output disable time from high level

t<sub>PLZ</sub> = output disable time from low level

**TEXAS INSTRUMENTS**  
INCORPORATED

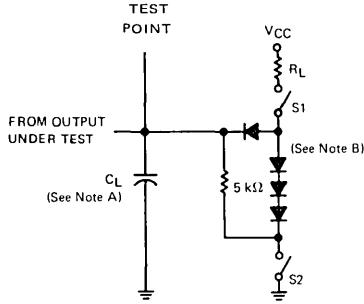
POST OFFICE BOX 225012 • DALLAS, TEXAS 75265

7-529

# TYPES SN54LS670, SN74LS670

## 4-BY-4 REGISTER FILES WITH 3-STATE OUTPUTS

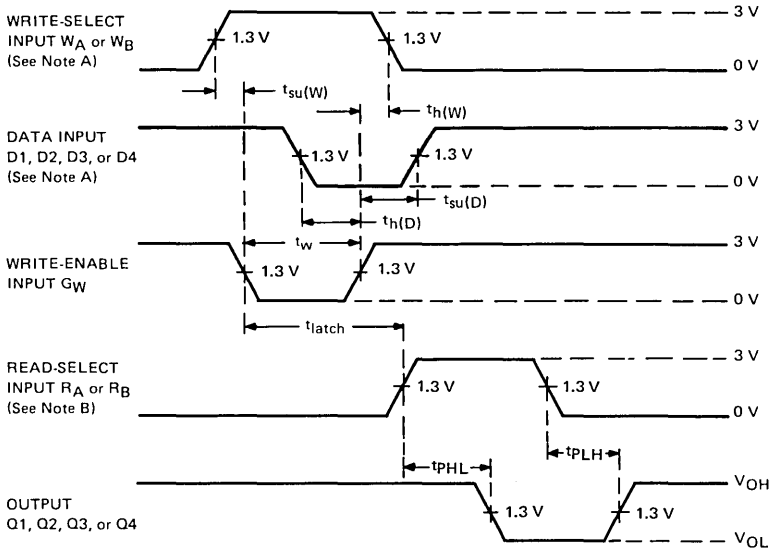
### PARAMETER MEASUREMENT INFORMATION



- NOTES: A.  $C_L$  includes probe and jig capacitance.  
 B. All diodes are 1N916 or 1N3064.

LOAD CIRCUIT

FIGURE 1



VOLTAGE WAVEFORMS (S1 AND S2 ARE CLOSED)

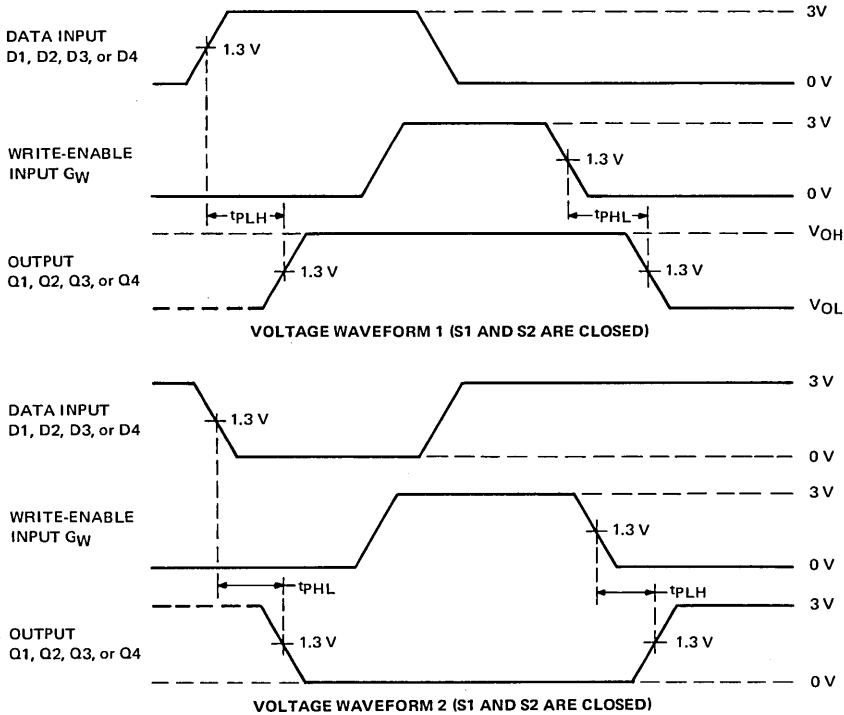
- NOTES: A. High-level input pulses at the select and data inputs are illustrated; however, times associated with low-level pulses are measured from the same reference points.  
 B. When measuring delay times from a read-select input, the read-enable input is low.  
 C. Input waveforms are supplied by generators having the following characteristics: PRR  $\leq$  2 MHz,  $Z_{out} \approx 50 \Omega$ , duty cycle  $\leq$  50%,  $t_r \leq 15$  ns,  $t_f \leq 6$  ns.

FIGURE 2

# TYPES SN54LS670, SN74LS670

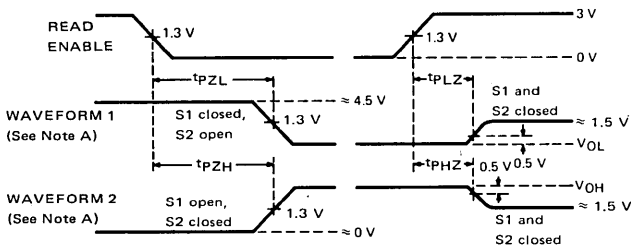
## 4-BY-4 REGISTER FILES WITH 3-STATE OUTPUTS

### PARAMETER MEASUREMENT INFORMATION



- NOTES: A. Each select address is tested. Prior to the start of each of the above tests both write and read address inputs are stabilized with  $W_A = R_A$  and  $W_B = R_B$ . During the test  $G_W$  is low.
- B. Input waveforms are supplied by generators having the following characteristics:  $PRR \leq 1$  MHz,  $Z_{Out} \approx 50 \Omega$ , duty cycle  $\leq 50\%$ ,  $t_r \leq 15$  ns,  $t_f \leq 6$  ns.

FIGURE 3



- NOTES: A. Waveform 1 is for an output with internal conditions such that the output is low except when disabled by the read-enable input. Waveform 2 is for an output with internal conditions such that the output is high except when disabled by the read-enable input.
- B. When measuring delay times from the read-enable input, both read-select inputs have been established at steady states.
- C. Input waveforms are supplied by generators having the following characteristics:  $PRR \leq 1$  MHz,  $Z_{Out} \approx 50 \Omega$ , duty cycle  $\leq 50\%$ ,  $t_r \leq 15$  ns,  $t_f \leq 6$  ns.

FIGURE 4



# **JAN MIL-M-38510**

## **Integrated Circuits**

# MILITARY PRODUCTS

## MIL-M-38510 AND MIL-STD-883 Military High-Reliability Integrated Circuits

The Texas Instruments MIL-M-38510 and MIL-STD-883 programs offer several options designed to meet system cost, reliability, lead time, and contract requirements. The following are the key features of the options available for MIL-M-38510 and MIL-STD-883 Class B applications:

### JAN-Processed TI SNJ

- Produced under MIL-M-38510 guidelines with all chips manufactured in a DESC-certified front end facility
- Fully tested per MIL-STD-883 method 5004 Class B
- Includes device types covered by MIL-M-38510 part numbers and circuits not yet covered by MIL numbers
- Electrical and mechanical characteristics per TI data sheets
- Marked with 38510 part numbers where applicable
- Each lot includes Certificate of Conformance and Group A Summary Report
- Approximately one-half the cost of JAN-Qualified IC's

### SNC/MACH-IV (883B)

- Cost effective — approximately one-third the cost of JAN-Qualified IC's
- Produced under MIL-M-38510 guidelines with all chips manufactured in a DESC-certified front end facility
- Tested per MIL-STD-883 method 5004 Class B and TI 38510/MACH-IV specification, Section 9 of this catalog
- Tested per MIL-STD-883 method 5004 Class B and TI 38510/MACH-IV specification, Section 9 of this catalog
- Electrical and mechanical characteristics per TI data sheets
- Available in broad product spectrum including SSI, MSI, and LSI, both bipolar and MOS

### JAN-Qualified

- Qualified per MIL-M-38510 Class B
- Produced per MIL-STD-883 and MIL-M-38510 Class B and appropriate slash sheets
- Produced in DESC-certified domestic production facility
- Applicable devices and packages

PRODUCT	A	C	D	E	F	G	I	J	L	T	V	W
SERIES 54 TTL	X	X	X	X	X			X	X			
SERIES 54H TTL	X	X	X	X	X							
SERIES 54L TTL*										X		
SERIES 54LS TTL	X	X	X	X	X			X	X	X		
SERIES 54S TTL	X	X	X	X	X			X	X			
LINEAR CONTROL	X					X	X					
SERIES 55 INTERFACE	X		X									
MOS LSI								X	X	X	X	X
LEAD FINISH B	X	X	X	X				X	X	X	X	X
LEAD FINISH C/D						X	X	X	X	X		

\* PER MIL-M-0038510B, Class S.

## How to Order

See Tables I, II and III for device, package and lead-finish cross-reference.

<b>• JAN-Processed/TI SNJ</b>					
Device type covered by 38510 part number:		Device type not covered by 38510 part number:			
Device	SN5400J	883 Class B	Device	SN54LS298J	883 Class B
Order	SNJ5400J			SNJ54LS298J	
Marking	{ SNJ5400J 38510/00104BCB		Marking	{ SNJ54LS298J 38510B	

<b>• SNC/MACH-IV</b>			
Device	SNC5400J	883 Class B	
Order	SNC5400J		
Marking	SNC5400J		

<b>• JAN-Qualified</b>			
Device	SN5400J	883 Class B	
Order	JM38510/00104BCB		
Marking	JM38510/00104BCB		

**Table I Part Numbers**  
 EXAMPLE: 5400 TTL NAND gate in ceramic dual-in-line package to 883 Class B with standard tin-plated leads.

• JAN QUALIFIED      JM 38510/ 00104 B C B

• JAN PROCESSED/TI SNJ      SN J 5400 J 00

• SNC/MACH-IV      † SN C 5400 J 00

MIL-STD-883  
CLASS B SCREENING ONLY

**CASE OUTLINE**

JAN	PACKAGE	SNJ SNC/MACH-IV
A	1/4" x 1/4" FLAT-14	U/FB
B/T*	1/4" x 1/8" FLAT-14	T
C	DIP-14	J
D	1/4" x 3/8" FLAT-14	W
E	DIP-16	J
F	1/4" x 3/8" FLAT-16	W/SB
G	TO-99	L
H	1/4" x 1/4" FLAT-10	U
I	TO-100	L
J	DIP-24	J
K	3/8" x 5/8" FLAT-24	W
L	3/8" x 1/2" FLAT-24	W
V	DIP-18	JR §
W	DIP-22	JR §
X	TO-5	—
Y	TO-3	—
Z	1/4" X 3/8" FLAT-24	—

**LEAD FINISH**

JAN	TYPE	SNJ SNC/MACH-IV
A	SOLDER DIP	10
B	TIN-PLATE	00
C/D*	GOLD-PLATE	00†
X	OPTIONAL **	—

MIL-M-38510 SLASH SHEET  
AND DEVICE TYPE  
SEE TABLE II & III

†Prefix designation for MOS/LSI is "SMC."  
 § R denotes temperature range.

8



# MILITARY PRODUCTS

## Screening — Class B

SCREEN	JAN QUALIFIED		SNJ JAN PROCESSED		SNC MACH-IV	
	METHOD	RQMT	METHOD	RQMT	METHOD	RQMT
Internal Visual (Precap)	2010.2 Cond B and 38510	100%	2010.2 Cond B and 38510	100%	2010.2 Cond B and 38510	100%
Stabilization Bake	1008.1 24 hrs min test Cond C	100%	1008.1 24 hrs min test Cond C	100%	1008.1 24 hrs min test Cond C	100%
Temperature Cycling	1010.1 Cond C	100%	1010.1 Cond C	100%	1010.1 Cond C	100%
Constant Acceleration	2001.1 Cond E (min) in Y <sub>1</sub> plane	100%	2001.1 Cond E (min) in Y <sub>1</sub> plane	100%	2001.1 Cond E (min) in Y <sub>1</sub> plane	100%
Seal (a) Fine (b) Gross	1014.1	100%	1014.1	100%	1014.1 (cond C <sub>1</sub> )	100%
Interim Electrical	JAN slash-sheet electrical specifications	As applicable	TI data sheet electrical specifications	As applicable	TI data sheet electrical specifications	As applicable
Burn-in test	1015.1 160 hrs @ 125°C min	100%	1015.1 160 hrs @ 125°C min	100%	1015.1 160 hrs @ 125°C min	100%
Final Electrical Tests (a) Static tests (1) 25°C (Subgroup 1, table 1. 5005.3) (2) Max and min rated op. temperature (subgroups 2 and 3, table 1. 5005.3) (b) Dynamic tests and switching tests 25°C (subgroup 4 and 9, table 1. 5005.3) (c) Functional test 25°C (subgroup 7, table 1. 5005.3)	JAN slash-sheet electrical specifications	100%	TI data sheet electrical specifications	100%	TI data sheet electrical specifications	100%
Qualification or quality performance inspection	5005.3 Class B	per 38510	5005.3 Class B	per 38510 Note 2	5005.3 Class B	per 38510 Note 2
External Visual	2009.1	100%	2009.1	100%	2009.1	100%

NOTES: 1. Temperature guardband test may be used in lieu of 100% test for digital bipolar only.  
2. Group A per 5005.3. Generic data available for groups B, C, and D.

## For MIL-M-38510/MIL-STD-883 Class A/S

For critical space and satellite applications, SAMSO Class S JAN-Qualified TTL flat pack devices are available per MIL-M-0038510B including:

CIRCUIT TYPE	JAN NO.
SN54L00T	JM38510/02004STD
SN54L01T	JM38510/02006STD
SN54L02T	JM38510/02701STD
SN54L04T	JM38510/02005STD
SN54L10T	JM38510/02003STD
SN54L20T	JM38510/02002STD
SN54L30T	JM38510/02001STD
SN54L51T	JM38510/04101STD

CIRCUIT TYPE	JAN NO.
SN54L54T	JM38510/04104STD
SN54L71T	JM38510/02101STD
SN54L74T	JM38510/02105STD
SN54L78T	JM38510/02104STD
SN54L86T	JM38510/02601STD
SN54L91T	JM38510/02806STD
SN54L95T	JM38510/02801STD
SN54L121T	JM38510/04201STD
SN54L122T	JM38510/04202STD
SN54L164T	JM38510/02802STD
SN5400T	JM38510/00104STD
SN5401T	JM38510/00107STD

CIRCUIT TYPE	JAN NO.
SN5402T	JM38510/00401STD
SN5404T	JM38510/00105STD
SN5410T	JM38510/00103STD
SN5420T	JM38510/00102STD
SN5440T	JM38510/00301STD
SN5472T	JM38510/00201STD
SN5473T	JM38510/00202STD
SN5474T	JM38510/00205STD
SN5493T	JM38510/01302STD
SN5495T	JM38510/00901STD
SN54121T	JM38510/01201STD
SN54H00T	JM38510/02304STD

# MILITARY PRODUCTS

TABLE I. JAN INTEGRATED CIRCUITS AND CIRCUIT-TYPE CROSS-REFERENCE

JAN /NO.	CKT TYPE	JAN /NO.	CKT TYPE	JAN /NO.	CKT TYPE	JAN /NO.	CKT TYPE
00101	5430	01307	5490	03001	15930	06005	10507‡
00102	5420	01308	54192	03002	15935	06006	10509‡
00103	5410	01309	54193	03003	15936	06101	10531‡
00104	5400	01310†	54196	03004	15946	06102	10631‡
00105	5404	01311†	54197	03005	15962	06103	10579‡
00106	5412	01312†	54177	03101	15932	06104	10535‡
00107	5401	01401	54150	03102	15944	06201	10504
00108	5405	01402	9312‡	03103	15957	06202	10597
00109	5403	01403	54153	03104	15958	07001	54500
00201	5472	01404	9309	03105	15933	07002	54503
00202	5473	01405	54157	03201	15951	07003	54504
00203	54107	01406	54151	03301	15945	07004	54505
00204	5476	01501	5475	03302	15948	07005	54510
00205	5474	01502	5477	03303	15950	07006	54520
00206	5470	01503	54116	03304	9094	07007	54522
00207	5479‡	01504	9314‡	03501	MH0026	07008	54530
00301	5440	01601	5408	04001	54H50	07009	54S133
00302	5437	01602	5409	04002	54H51	07010	54S134
00303	5438	01701	54174	04003	54H53	07101	54S74
00401	5402	01702	54175	04004	54H54	07102	54S112
00402	5423	01703†	54173	04005	54H55	07103	54S113
00403	5425	01801	54170	04101	54L51	07104	54S114
00404	5427	01901	54180	04102	54L54	07105	54S174
00501	5450	02001	54L30	04103	54L55	07106	54S175
00502	5451	02002	54L20	04104♦	54L54	07201	54S40
00503	5453	02003	54L10	04201	54L121	07301	54S02
00504	5454	02004	54L00	04202	54L122	07401	54S51
00601	5482	02005	54L04	04301	93L18	07402	54S64
00602	5483	02006	54L01/54L03	04401	93L24	07403	54S65
00603	9304‡	02101	54L71	04501†	93L14	07501	54S86
00604	5480	02102	54L72	04502†	93L08	07502	54S135
00701	5486	02103	54L73	04601	93L09	07601†	54S194
00801	5406	02104	54L78	04602	93L12	07602†	54S195
00802	5416	02105	54L74	04603	93L22	07701†	54S138
00803	5407	02201	54H72	05001	4011A	07702†	54S139
00804	5417	02202	54H73	05002	4012A	07703†	54S280
00805	5426	02203	54H74	05003	4023A	07801	54S181
00901	5495	02204	54H76	05101	4013A	07802	54S182
00902	5496	02205	54H101	05102	4027A	07901	54S151
00903	54164	02206	54H103	05201	4000A	07902	54S153
00904	54165	02301	54H30	05202	4001A	07903	54S157
00905	54194	02302	54H20	05203	4002A	07904	54S158
00906	54195	02303	54H10	05204	4025A	07905	54S251
00907†	9300‡	02304	54H00	05301	4007A	07906	54S257
00908†	9328	02305	54H04	05302	4019A	07907	54S258
00909†	54198	02306	54H01	05303	4030A	08001	54S11
00910†	54166	02307	54H22	05401	4008A	08002	54S15
01001	5442	02401	54H40	05501	4009A	08003†	54S08
01002	5443	02501	54L90	05502	4010A	08004†	54S09
01003	5444	02502	54L93	05503	4049A	08101	54S140
01004	5445	02503	54L193	05504	4050A	08201	54S85
01005	54145	02504	93L10	05505	4041A	10101	uA741
01006	5446	02505	93L16	05601	4017A	10102	uA747
01007	5447	02601	54L86	05602	4018A	10103	LM101A
01008	5448	02701	54L02	05603	4020A	10104	LM108A
01009	5449	02801	54L95	05604	4022A	10105	LH2101A
01101	54181	02802	54L164	05605	4024A	10106	LH2108A
01102	54182	02803	93L28‡	05701	4006A	10107	LM118
01201	54121	02804	93L00	05702	4014A	10201	uA723
01202	54122	02805	76L70	05703	4015A	10202†	LM104
01203	54123	02806♦	54L91	05704	4021A	10203†	LM105
01204	9601	02901	54L42	05705	4031A	10301	uA710
01205	9602	02902	54L43	05706	4034A	10302	uA711
01301	5492	02903	54L44	05801†	4016A	10303	LM106
01302	5493	02904	54L46	06001	10501‡	10304	LM111
01303	54160	02905	54L47	06002	10502‡	10305†	LM2111
01304	54163	02906	76L42A	06003	10505‡	10401	55107
01305	54162	02907	93L01	06004	10506‡	10402	55108
01306	54161						

NOTE: Only the basic JAN and commercial numbers are shown.

† Slash sheets not released as of date of this publication.

‡ Not recommended for new designs.

♦ Class S only.

# MILITARY PRODUCTS

TABLE I. JAN INTEGRATED CIRCUITS AND CIRCUIT-TYPE CROSS-REFERENCE

JAN. /NO.	CKT TYPE	JAN. /NO.	CKT TYPE	JAN. /NO.	CKT TYPE	JAN. /NO.	CKT TYPE
10403	55114	15802	9317	30104	54LS113	31001	54LS11
10404	55115	15901	9300	30105	54LS114	31002	54LS15
10405	55113	15902	9328	30106	54LS174	31003	54LS21
10406	7831	16001	9334	30107	54LS175	31004	54LS08
10407	7832	16101	5432	30108	54LS107	31101	54LS85
10501†	uA733	16201	5428	30109	54LS109	31201†	54LS83A
10601	LM102‡	20101	54186 (PROM 512)	30110	54LS76	31202†	54LS283
10602	LM110	20102	MCM5304‡	30201	54LS40	31301	54LS13
10603†	LM2110	20103†	IM5603A	30202	54LS37	31302	54LS14
10701	LM109	20201†	IM5603 (PROM 1024)	30203	54LS38	31303	54LS132
10702†	LM140-12	20202†	IM5623	30204	54LS28	31401†	54LS123
10703†	LM140-15	20301†	AM27S10	30301	54LS02	31402†	54LS221
10704†	LM140-24	20302†	AM27S11	30302	54LS27	31403†	54LS122
10801	3018A	20401†	IM5604	30303	54LS266	31501†	54LS90
10802	3045	20402†	IM5624	30401	54LS51	31502†	54LS93
10901†	SE555	20501†	HHX7620-8	30402	54LS54	31503†	54LS160
10902†	SE556	20502†	HMX7621-8	30501	54LS32	31504†	54LS161
15001	5485	20601†	HMX7640-8	30502	54LS86	31505†	54LS168
15101	5413	20602†	.HMX7641-8	30601†	54LS194	31506†	54LS169
15102	5414	23001†	93410 (256 RAM)	30602†	54LS195	31507†	54LS192
15103	54132	23002†	93411 (256 RAM)	30603†	54LS95	31508†	54LS193
15201	54154	23003†	93421	30604†	54LS96	31509†	54LS191
15202	54155	23501	TMS4060 (4K RAM)	30605†	54LS164	31510†	54LS92
15203	54156	23502	TMS4050 (4K RAM)	30606†	54LS295	31511†	54LS162
15204	8250	23503	TMS4060 (4K RAM)	30607†	54LS395	31512†	54LS163
15205	8251	23504	TMS4050 (4K RAM)	30701†	54LS138	31513†	54LS190
15206	8252	30001	54LS00	30702†	54LS139	31601†	54LS75
15301	54125	30002	54LS03	30703†	54LS42	31602†	54LS279
15302	54126	30003	54LS04	30704†	54LS47	31701†	54LS124
15401†	54120	30004	54LS05	30801	54LS181	31702†	54LS324
15501	54H08	30005	54LS10	30901†	54LS151	31801†	54LS261
15502	54H11	30006	54LS12	30902†	54LS153	31901†	54LS670
15503	54H21	30007	54LS20	30903†	54LS157	32001†	54LS196
15601	54147	30008	54LS22	30904†	54LS158	32002†	54LS197
15602	54148	30009	54LS30	30905†	54LS251	32003†	54LS290
15603	9318‡	30101	54LS73	30906†	54LS257	32004†	54LS293
15701	9338	30102	54LS74	30907†	54LS258	32102†	54LS26
15801	9321	30103	54LS112	30908†	54LS253		

NOTE: Only the basic JAN and commercial numbers are shown.

† Slash sheets not released as of date of this publication.

‡ Not recommended for new designs.

# MILITARY PRODUCTS

TABLE II. CIRCUIT-TYPE AND JAN INTEGRATED CIRCUITS CROSS-REFERENCE

TTL 54 SERIES		CKT TYPE	JAN /NO.	TTL 54L SERIES		CKT TYPE	JAN /NO.	
CKT TYPE	JAN /NO.			CKT TYPE	JAN /NO.			
5400	00104		54132	15103		54LS32	30501	
5401	00107		54145	01005	54L00	02004	54LS37	30202
5402	00401		54147	15601	54L01	02006	54LS38	30203
5403	00109		54148	15602	54L02	02701	54LS40	30201
5404	00105		54150	01401	54L03	02006	54LS42	30703†
5405	00108		54151	01406	54L04	02005	54LS47	30704†
5406	00801		54153	01403	54L10	02003	54LS51	30401
5407	00803		54154	15201	54L20	02002	54LS54	30402
5408	01601		54155	15202	54L30	02001	54LS73	30101
5409	01602		54156	15203	54L42	02901	54LS74	30102
5410	00103		54157	01405	54L43	02902	54LS75	31601†
5412	00106		54160	01303	54L44	02903	54LS76	30110
5413	15101		54161	01306	54L46	02904	54LS83A	31201
5414	15102		54162	01305	54L47	02905	54LS85	31101
5416	00802		54163	01304	54L51	04101	54LS86	30502
5417	00804		54164	00903	54L54	04102	54LS90	31501†
5420	00102		54165	00904	54L54	04104♦	54LS92	31511†
5423	00402		54166	00910†	54L55	04103	54LS93	31502†
5425	00403		54173	01703†	54L71	02101	54LS95	30603†
5426	00805		54174	01701	54L72	02102	54LS96	30604†
5427	00404		54175	01702	54L73	02103	54LS107	30108
5428	16201		54177	01312†	54L74	02105	54LS109	30109
5430	00101		54180	01901	54L78	02104	54LS112	30103
5432	16101		54181	01101	54L86	02601	54LS113	30104
5437	00302		54182	01102	54L89	02501	54LS114	30105
5438	00303		54186	20101	54L91	02806♦	54LS122	31403†
5440	00301		54192	01308	54L93	02502	54LS123	31401†
5442	01001		54193	01309	54L95	02801	54LS132	31303
5443	01002		54194	00905	54L121	04201	54LS138	30701†
5444	01003		54195	00906	54L122	04202	54LS139	30702†
5445	01004		54196	01310†	54L164	02802	54LS151	30801†
5446	01006		54197	01311†	54L193	02503	54LS153	30802†
5447	01007		54198	00909†			54LS157	30803†
5448	01008						54LS158	30804†
5449	01009						54LS160	31503†
5450	00501						54LS161	31504†
5451	00502						54LS162	31510†
5453	00503						54LS163	31512†
5454	00504						54LS164	30605†
5470	00206						54LS169	31506†
5472	00201						54LS174	30106
5473	00202						54LS175	30107
5474	00205						54LS181	30801
5475	01501						54LS189	31509†
5476	00204						54LS191	31513†
5477	01502						54LS192	31507†
5480	00604						54LS193	31508†
5482	00601						54LS194	30601†
5483	00602						54LS195	30602†
5485	15001						54LS196	32001†
5486	00701						54LS197	32002†
5490	01307						54LS221	31402†
5492	01301						54LS251	30905†
5493	01302						54LS253	30908†
5495	00901						54LS257	30904†
5496	00902						54LS258	30907†
54107	00203						54LS261	31801†
54116	01503						54LS266	30303
54120	15401†						54LS279	31602†
54121	01201						54LS283	31202†
54122	01202						54LS289	32003†
54123	01203						54LS293	32004†
54125	15301						54LS295	30606†
54126	15302						54LS324	31702†
							54LS395	30607†
							54LS670	31901†

NOTE: Only the basic JAN and commercial numbers are shown.

†Slash sheets not released as of the date of this publication.

‡Not recommended for new designs.

♦Class S only.

# MILITARY PRODUCTS

TABLE II. CIRCUIT-TYPE AND JAN INTEGRATED CIRCUITS CROSS-REFERENCE

TTL 54S SERIES		MOS LSI		LINEAR CONTROL SERIES	
CKT TYPE	JAN /NO.	CKT TYPE	JAN /NO.	CKT TYPE	JAN /NO.
54S00	07001	TMS4050	23502 (4K RAM)	LM101A	10103
54S02	07301	TMS4050	23504 (4K RAM)	LM104	10202†
54S03	07002	TMS4060	23501 (4K RAM)	LM105	10203†
54S04	07003	TMS4060	23503 (4K RAM)	LM106	10303
54S05	07004			LM108A	10104
54S08	08003†			LM109	10701
54S09	08004†			LM111	10304
54S10	07005			LM118	10107
54S11	08001			LM140-12	10702†
54S15	08002			LM140-15	10703†
54S20	07006			LM140-21	10704†
54S22	07007			SE555	10901†
54S30	07008			SE556	10902†
54S40	07201			uA710	10301
54S51	07401			uA711	10302
54S64	07402			uA723	10201
54S65	07403			uA733	10501†
54S74	07101			uA741	10101
54S85	08201			uA747	10102
54S86	07501				
54S112	07102				
54S113	07103				
54S114	07104				
54S133	07009				
54S134	07010				
54S135	07502				
54S138	07701†				
54S139	07702†				
54S140	08101				
54S151	07901				
54S153	07902				
54S157	07903				
54S158	07904				
54S174	07105				
54S175	07106				
54S181	07801				
54S182	07802				
54S194	07601†				
54S195	07602†				
54S251	07905				
54S257	07906				
54S258	07907				
54S280	07703†				

LINEAR INTERFACE SERIES	
CKT TYPE	JAN /NO.
55107	10401
55108	10402
55113	10405
55114	10403
55115	10404

NOTE: Only the basic JAN and commercial numbers are shown.  
 †Slash sheets not released as of date of this publication.

**38510/MACH IV**  
**High-Reliability Microelectronics**  
**Procurement Specifications**  
**MIL-STD-883**

CONTENTS		
SECTION		PAGE
1.0	SCOPE . . . . .	9-4
2.0	APPLICABLE DOCUMENTS . . . . .	9-4
3.0	GENERAL REQUIREMENTS . . . . .	9-6
4.0	QUALITY ASSURANCE PROVISIONS . . . . .	9-16
5.0	PREPARATION FOR DELIVERY . . . . .	9-29
6.0	NOTES . . . . .	9-29

↓


**REVISIONS**

CLASSIFICATION (MAJOR/MINOR)	DATE CODE EFFECTIVITY	LTR	DESCRIPTION	DATE	APPROVED
Major	7040	A	Incorporate MIL-M-38510 and Revision Notice 2 of MIL-STD-883	8/15/70	<i>J Adams</i>
Major	7239	B	Incorporate Revision Notice 3 and 4 of MIL-STD-883 and Revision A of MIL-STD-38510	9/1/72	<i>[Handwritten signatures]</i>
Major	7401	C	Incorporate revised Level IV (SNH) processing with inclusion of recorded electrical data with delta requirements; incorporate technological criteria in Table III for precap of complex circuits.	1/1/74	<i>[Handwritten signatures]</i>
Minor	7518	D	Incorporate Revision A of MIL-STD-883 and provisions for MOS LSI and CMOS devices	4/15/75	<i>[Handwritten signatures]</i>
Minor	7628	E	Incorporate Revision C of MIL-M-38510 and MIL-STD-883 Revision A, Notice 2	6/15/76	<i>[Handwritten signatures]</i>

UNLESS OTHERWISE SPECIFIED DIMENSIONS ARE IN INCHES  
 TOLERANCES:  
 ANGLES ± 1°  
 3 PLACE DECIMAL ±.010  
 2 PLACE DECIMAL ±.02

INTERPRET DWG. IN ACCORDANCE WITH STD. DESCRIBED IN MIL-STD-100 MATERIAL:

DR	<i>C. E. Long</i>	DATE	<i>7/28/69</i>
CHK	<i>[Signature]</i>		
ENGR	<i>[Signature]</i>		
QUALITY CONTROL	<i>[Signature]</i>		
QRA MGR.	<i>J. Adams</i>		<i>10/14/69</i>
DESIGN ACTIVITY RELEASE DEPARTMENT	<i>[Signature]</i>		
MANAGER, TEL	<i>[Signature]</i>		
CIRCUITS DIVISION	<i>[Signature]</i>		
MANAGER	<i>[Signature]</i>		

 <b>TEXAS INSTRUMENTS</b> INCORPORATED <small>SEMICONDUCTOR CIRCUITS DIVISION DALLAS, TEXAS</small>		
TITLE: <b>MICROELECTRONICS, HIGH RELIABILITY PROCUREMENT SPECIFICATION (MIL-STD 38510/883)</b>		
SIZE: <b>A</b>	CODE IDENT NO. <b>01295</b>	DRAWING NO. <b>38510/MACH IV PROGRAM</b>
SCALE	REV <b>D</b>	SHEET



# 38510/MACH IV PROCUREMENT SPECIFICATION

---

## 38510/MACH IV PROGRAM

### 1.0 SCOPE

1.1 This specification establishes standards for materials, workmanship, performance capabilities, identification, and processing of high-reliability monolithic integrated circuits.

### 1.2 Intent

The intent of this document is such as to recognize that quality and reliability are *built* into, not *tested* into, a product. There is no specification or screening procedure that can substitute for inherent, built-in reliability. However, it must be realized that irrespective of lot quality, there will always be some small percentage of devices that are subject to early failure (infant mortality). A well engineered screening procedure will eliminate most, if not all, of these early failures. Secondly, the screening and acceptance testing described herein will also serve to demonstrate, with a high degree of statistical confidence, that the required levels of quality and reliability have, in fact, been built into the product.

### 2.0 APPLICABLE DOCUMENTS

2.1 The following specifications and standards, of the issue in effect on the date of invitation for bids or request for proposal, form a part of this specification to the extent specified herein:

### 2.2 Specifications

#### Military

MIL-M-55565

Microcircuits, Packaging of

MIL-M-38510

Microcircuits devices, general specification for

# 38510/MACH IV PROCUREMENT SPECIFICATION

---

## 2.3 Standards

### Military

MIL-STD-105	Sampling Procedures and Tables for Inspection by Attributes
MIL-STD-883	Test Methods and Procedures for Microelectronics
MIL-STD-790	Reliability Assurance Program for Electronic Parts Specification
MIL-STD-1276	Leads, Weldable, for Electronic Components Parts
MIL-STD-1313	Microelectronics Terms and Definitions

### Detail Specifications

SNXXXX (Bipolar)	Detail Specification for a Particular Part Type (e.g., Manufacturer's Data Sheet)
TMSXXXX (MOS LSI)	
TFXXXX (CMOS)	

## 2.4 Precedence of Documents

For the purpose of interpretation, in case of any conflicts, the following order of precedence shall apply:

- a) Purchase Order —The purchase order shall have precedence over any referenced specification.
- b) Detail Specification —The detail specification shall have precedence over this specification and other referenced specifications.
- c) This Specification —This specification shall have precedence over all referenced specifications.
- d) Referenced Specifications —Referenced Specifications shall apply to the extent specified herein.

## 2.5 Federal and/or military specifications and standards required shall be obtained from the usual government sources.

# 38510/MACH IV PROCUREMENT SPECIFICATION

---

## 3.0 GENERAL REQUIREMENTS

The individual item requirements shall be as specified herein and in accordance with the applicable detail specification. In the event of any conflict between the requirements of this specification and the detail specification, the latter shall govern. The static and dynamic electrical performance requirements of the integrated circuits plus absolute maximum ratings and test methods shall be as specified in the detail specifications.

### 3.1.1 Definitions

- a) LTPD Lot Tolerance Percent Defective shall be as defined by MIL-M-38510.
- b)  $\lambda$  Lambda, stated in percent per 1000 hours as defined by MIL-M-38510.
- c) MRN Minimum reject number as defined by MIL-M-38510.
- d) Production Lot For the purpose of this specification, a production lot shall be defined per MIL-M-38510.
- e) Inspection Lot An inspection lot shall be as defined in MIL-M-38510.
- f) C Acceptance number as defined by MIL-M-38510.

### 3.1.2 Terms and Definitions

Terms and definitions shall be as defined in MIL-STD-1313.

### 3.1.3 Classification of Requirements

The requirements for the integrated circuits are classified herein as follows:

<u>Requirement</u>	<u>Paragraph</u>
Process Conditioning, Testing and Screening	3.2
Qualification	3.3
Design and Construction	3.4

# 38510/MACH IV PROCUREMENT SPECIFICATION

---

Marking of Integrated Circuits	3.5
Product Assurance	3.6
Workmanship	3.7
Performance Capabilities	3.8
Quality and Reliability Assurance Program Plan	3.9

## 3.2 Process Conditioning, Testing and Screening

Three levels of screening and quality assurance for integrated circuits are provided for in this specification. Process conditioning, testing and screening shall be as specified in 4.3 and the applicable figure for the appropriate quality assurance level stated on the purchase order and defined as follows:

SCREENING LEVEL	PART NUMBER PREFIX			APPLICABLE FLOW CHART
	BIPOLAR	CMOS	MOS LSI	
38510/883 Class A (Level IV)	SNH	Not Avail.	Not Avail.	Figure 4
38510/883 Class B (Level III)	SNC	TFC		Figure 3
			SMC	Figure 2
38510/883 Class C (Level I)	SNM	TFM	Not Avail.	Figure 1

## 3.3 Qualification

Vendor qualification for delivery of integrated circuits to this specification shall be as specified in paragraph 4.2.

## 3.4 Design and Construction

Integrated circuit design and construction shall be in accordance with the requirements specified herein and in the applicable detail specification.

### 3.4.1 Topography

Integrated circuits furnished under this specification shall have topography information available for review by procuring activity. The information made available shall provide sufficient data for thorough circuit design, application, performance, and failure analysis studies.

#### 3.4.1.1 Monolithic Die Topography

An enlarged photograph or drawing (to scale) with a minimum magnification of 80 times the die (chip) size showing the topography of elements formed on the silicon monolithic die shall be available for review. This shall be identified with the specific detail integrated circuit part-type in which it is used and the applicable detail specification.

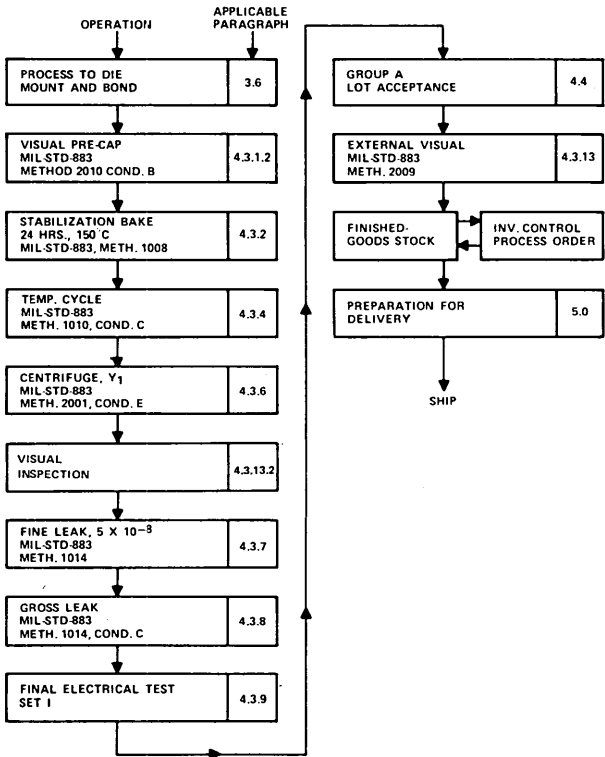


FIGURE 1—FLOW CHART FOR 38510 CLASS C LEVEL I

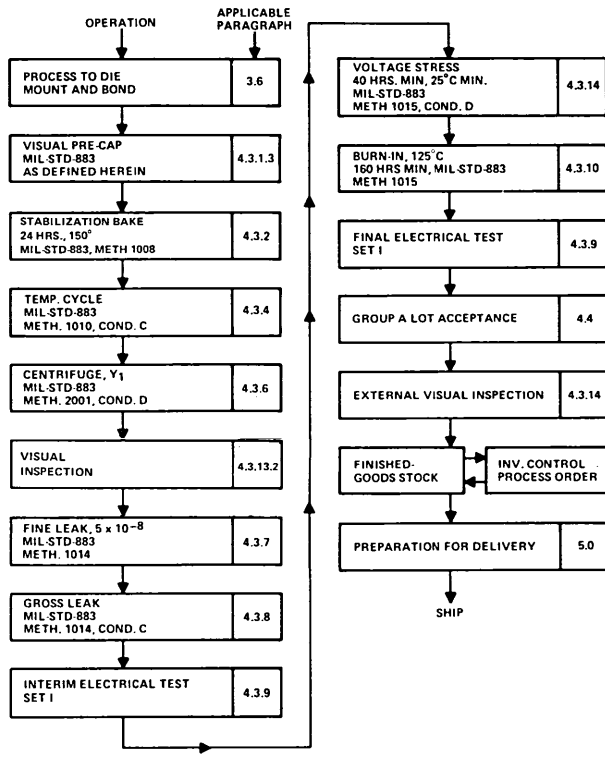


FIGURE 2—FLOW CHART FOR MOS LSI 38510 CLASS B (LEVEL III SMC)

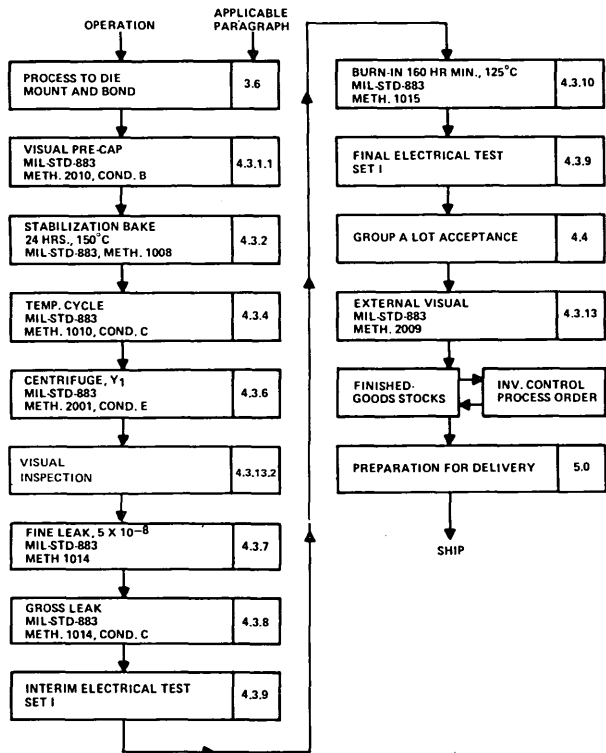


FIGURE 3—FLOW CHART FOR 38510 CLASS B LEVEL III

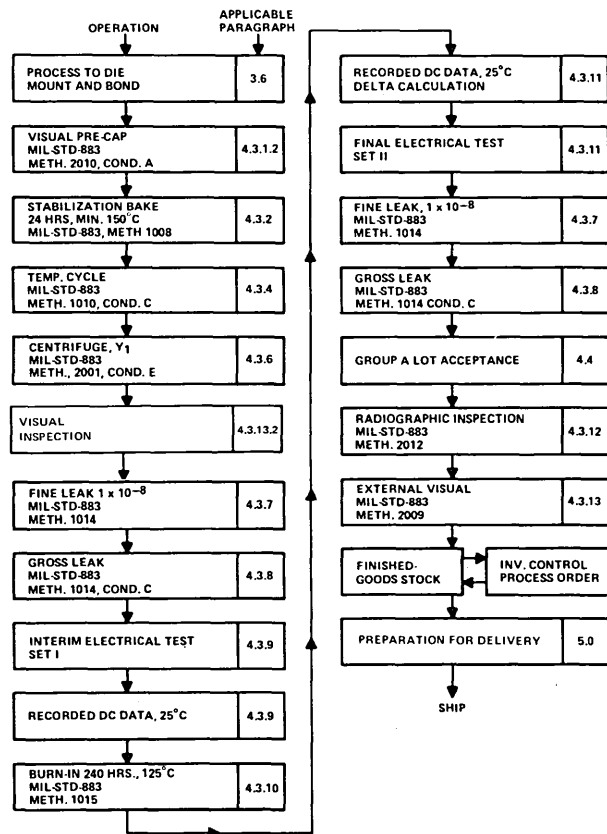


FIGURE 4—FLOW CHART FOR 38510 CLASS A LEVEL IV

# 38510/MACH IV PROCUREMENT SPECIFICATION

---

## 3.4.1.2 Die Intraconnection Pattern

An enlarged photograph or drawing (to scale) with a minimum magnification of 80 times the die (chip) size showing the specific intraconnection pattern utilized to intraconnect the elements in the circuit. This shall be in the same scale as the die topography 3.4.1.1 so that the elements utilized and those not being used can easily be determined.

## 3.4.2 Materials

Materials shall be inherently non-nutrient to fungus and shall not blister, crack, outgas, soften, flow or exhibit other immediate or latent defects that adversely affect storage, operation or environmental capabilities of integrated circuits.

### 3.4.2.1 Material Selection

Materials selected for use in the construction of the integrated circuits shall be chosen for maximum suitability for the application. This shall include consideration of the best balance for:

- a) Electrical performance
- b) Thermal compatibility and conductivity
- c) Chemical stability including resistance to deleterious interactions with other materials
- d) Metallurgical stability with respect to adjacent materials and change in crystal configuration
- e) Maximum stability with regard to continued uniform performance through the specified environmental conditions and life.

### 3.4.2.2 Foreign Materials

No lacquer, grease, paste, desiccant or other similar foreign encapsulant or coating material shall be included in the circuit enclosure nor applied to any part of the internal circuit assembly.

## 3.4.3 Mechanical

### 3.4.3.1 Case

Each integrated circuit shall be securely mounted and hermetically sealed within a case designed and constructed to conform to the outline and physical dimensions shown in the detailed specification.

9

## 38510/MACH IV PROCUREMENT SPECIFICATION

---

### 3.4.3.2 Interconnections

Interconnections within the integrated circuit case shall be minimized and there shall be no wire crossovers. Circuit intraconnections by means of wire jumpers shall not be used. (See Note 6.2)

### 3.4.3.3 Leads

Lead material, construction, and outline shall be as specified on the detail specification and shall be capable of meeting the solderability test of MIL-STD-883, Method 2003. (See note 6.4).

#### 3.4.3.3.1 Lead Size

Lead outline and dimensions shall be as specified in the detail specification.

#### 3.4.3.3.2 Lead Surface Condition

Leads shall be free of the following defects over their entire length when inspected under a minimum of 4X magnification:

- a) Foreign materials adhering to the leads such as paint, film, deposits and dust. Where adherence of such foreign materials is in question, leads may be subjected to a clean, contaminant-free (e.g., oil, dust, etc.), filtered air stream (suction or expulsion) of 88 feet per second maximum, or a wash/rinse as necessary and reinspected.
- b) Nicks, cuts, scratches or other surface defacing defects which expose the base metal.

#### 3.4.3.3.3 Lead Straightness

Leads shall be aligned within a 0.050-inch diameter, 0.050-inch length cylinder concentric to the point of lead emergence from the case and the X-axis (the axis parallel to the lead axis). Along the remaining lead length, there shall be no unspecified bend whose radius is less than 0.10 inch and no twist whose angle is greater than 30° (ribbon leads, only).

#### 3.4.3.3.4 Preformed Leads

Preformed leads, when specified, shall be in accordance with the detail specification. The part number of the integrated circuit shall remain as specified in the applicable detail specification or purchase order, the applicable suffix designation shall appear on the purchase order but shall not be marked on the device.



## 38510/MACH IV PROCUREMENT SPECIFICATION

---

### 3.4.3.3.5 Carriers (Mech-Pak Carrier)

Carrier-matrix assemblies consisting of individually mounted integrated circuits shall be furnished when so specified by purchase order. The individual carriers shall have provisions for use with automatic test equipment contacts. Devices supplied "clipped-out" of the Mech-Pak Carrier shall be supplied in the Barnes Carrier type Q29-188 or equivalent. (Applicable to Flat Packs only.)

### 3.5 Marking of Integrated Circuits

#### 3.5.1 Legibility

All marking shall be permanent in nature and remain legible when subjected to specified operating, storage, and environmental requirements. All markings shall be insoluble in standard solvents such as trichlorethylene, water and xylene.

#### 3.5.2 Marking Details

Marking of the integrated circuits shall be located as follows unless otherwise specified in the detail specification:

- a) TO-99, TO-100, and similar "can" cases shall be marked on the top of the case. Where space limitations exist, the side of the case may be used.
- b) Flat Packs shall be marked on the top of the case. Where space limitation exists, the bottom of the package may be utilized as necessary. As a minimum the top of the package shall show the manufacturer's identification mark or symbol, the device part number, date code, and pin 1 orientation mark (where applicable).
- c) Dual-in-line plug-in packages shall be marked in the same manner as flat packs.

#### 3.5.3 Required Device Marking

- a) Index point indicating the starting point for numbering of leads shall be as indicated in the detail specification. The indexing point may be a tab, color dot, or other suitable indicator.
- b) Manufacturer's identification mark or symbol.
- c) A lot date code indicating the week of initial submission for screening or inspection. The date code shall be as follows:
  - 1) EIA four-digit date code, the first two numbers shall be the last two digits of the year, the last two numbers shall indicate the calendar week.

# 38510/MACH IV PROCUREMENT SPECIFICATION

---

2) EIA three-digit date code (when limited by space available), the first number shall be the last digit of the year, the last two numbers shall indicate the calendar week.

d) Manufacturer's part number defining circuit type and applicable MIL-STD-883 screening level and MIL-M-38510 product assurance level as defined in paragraph 3.2.

e) Individual device serial number is required for Class A (SNH).

f) A dot to indicate acceptance by Radiographic inspection.

**NOTE:**

When a color dot is used to identify pin one, the radiographic inspection acceptance dot shall be placed on the bottom of the package.

g) Country of origin shall be per U.S. Customs codes.

## 3.6 Product Assurance

The manufacturer shall establish and maintain a reliability assurance program that complies with the basic intent of MIL-STD-790. Furthermore, it is intended that each integrated circuit delivered shall be free of any defect in design, material, manufacturing process, testing and handling, which would degrade or otherwise limit its performance when used within the specified limits.

### 3.6.1 Visual and Mechanical Examination

Integrated circuits shall be examined to verify that material, design, construction, physical dimensions, marking and workmanship are in accordance with the specified acceptance criteria.

### 3.6.2 Test Equipment

The manufacturer shall prepare and maintain a current list, by name and drawing number or other unique identification, of test equipment used in the manufacturing and testing of devices submitted for acceptance inspection under this specification. This list shall be made available to the procuring activity representative upon request.

### 3.6.3 Process Controls

Each integrated circuit shall be constructed by manufacturing processes which are under the surveillance of the manufacturer's Quality Control department. The processes shall be monitored and controlled by use of statistical techniques in accordance with published specifications and procedures. The manufacturer shall prepare and maintain suitable documentation (such as quality control manuals, inspection instructions, control charts, etc.) covering all phases of incoming part and material inspection and in-process inspections required to assure that product quality meets the requirements of this specification. The

## 38510/MACH IV PROCUREMENT SPECIFICATION

---

procuring activity may verify, with the permission of and in the company of the manufacturer's designated representative, that suitable documentation exists and is being applied. Information designated as proprietary by the manufacturer will be made available to the procuring activity or its representative only with the written permission of the manufacturer.

Process control is recognized as being vital to the concept of "built-in" quality. The process control program shall include a scanning electron microscope (SEM) monitor program for evaluating the metal integrity over oxide step and oxide step contour. The SEM analysis will be defined in a Quality & Reliability Assurance document.

### 3.6.4 Production Changes

The manufacturer shall advise the procuring activity of the time at which any major change(s) in production or QC methods or documentation become effective during the period of device production for delivery against any given purchase order referencing this specification.

### 3.7 Workmanship

Integrated circuits shall be manufactured and processed in a careful and workmanlike manner, in accordance with the production processes, workmanship instructions, inspection and test procedures, and training aids prepared by the manufacturer in fulfillment of the reliability assurance program established by paragraph 3.6.

#### 3.7.1 Personnel Certification

The manufacturer shall be responsible for training, testing and certification of personnel involved in producing integrated circuits. Training shall be commensurate and consistent with the requirements of this specification and in conformance to the basic intent of MIL-STD-790. Training aids in the form of satisfactory criteria shall be available for operator and inspector review at any time.

#### 3.7.2 Personnel Evaluation

The supplier shall maintain a continuous evaluation of the proficiency of personnel concerned with production and inspection. Retraining of an operator or inspector shall be required when this evaluation establishes that a degree of proficiency necessary to meet the requirements of this specification is not being exercised.

## 38510/MACH IV PROCUREMENT SPECIFICATION

---

### 3.7.3 Rework provisions

#### 3.7.3.1 Rework

All rework on microrcircuits manufactured under this specification shall be accomplished in accordance with paragraph 3.7.1 of MIL-M-38510 as defined herein.

#### 3.7.3.2 Rebonding

Rebonding shall be in accordance with MIL-M-38510, as defined herein (see Note 6.5)

### 3.8 Performance Capabilities

The integrated circuits delivered to this specification shall be designed to be capable of meeting the environmental requirements specified in Table II. The manufacturer need not perform these tests specifically for the contract or specification, but shall provide data which demonstrates the ability of the integrated circuits to pass the environmental tests. The data shall have been generated on devices from the same generic family as the circuits being supplied to this specification, and the package configuration shall be the same as for the delivered parts (i.e., Flat Pack, TO-100, etc.).

### 3.9 Quality and Reliability Assurance Program Plan

The manufacturer shall establish and implement a Quality and Reliability Assurance Program Plan that meets the intent of MIL-M-38510, Appendix A. Submission of the program plan to the procuring activity shall not be a requirement of this specification; however, the program plan shall be maintained by the manufacturer and shall be available for review by the procuring activity.

# 38510/MACH IV PROCUREMENT SPECIFICATION

---

## 4.0 QUALITY ASSURANCE PROVISIONS

### 4.1 Responsibility for Inspection

Unless otherwise specified in the contract or purchase order, the manufacturer is responsible for the performance of all inspection requirements specified herein. Except as otherwise specified, the manufacturer may utilize his own facilities or any commercial laboratory acceptable to the procuring activity. The procuring activity may, at its discretion, perform any of the inspections set forth in the specification where such inspections are deemed necessary to assure supplies and services conform to prescribed requirements.

#### 4.1.1 Inspection and Testing Procedures Coverage

Inspection and testing processes and procedures prepared in fulfillment of the reliability assurance program established per paragraph 3.6 shall be prescribed by clear, complete and current instructions. These instructions shall assure inspection and test of materials, work in process and completed integrated circuits as required by this specification. In addition, criteria for approval and rejection of materials and integrated circuits shall be included.

#### 4.1.2 Inspection at Point of Delivery

The procuring activity may, at its discretion, reinspect any or all of the delivered parts excluding Groups B, C, and D destructive samples as defined by MIL-STD-883. All parts found to be defective, excluding devices exhibiting damage from use, may be returned to the manufacturer at the manufacturer's expense.

#### 4.1.3 Inspection Records

The manufacturer shall maintain a reliability data and records library. This library shall have on file, for review by the procuring activity, records of examination, qualification test results, variables data (when required) and all other pertinent data generated on devices manufactured to this specification.

#### 4.1.4 Control of Procurement Sources

The manufacturer shall be responsible for assuring that all supplies and services conform to this specification, the detail specification and the manufacturer's procurement requirements.

# 38510/MACH IV PROCUREMENT SPECIFICATION

---

## 4.1.4.1 Manufacturer's Receiving Inspection

Purchased supplies shall be subjected to inspection after receipt as necessary to ensure conformance to contract requirements. In selecting sampling plans, consideration shall be given to the controls exercised by the procurement source and evidence of sustained quality conformance.

4.1.4.2 The manufacturer shall provide procedures for withholding from use all incoming supplies pending completion of required tests or receipt of necessary certification or test records and their evaluation.

4.1.4.3 The manufacturer shall initiate corrective action with the procurement source depending upon the nature and frequency of receipt of nonconforming supplies.

## 4.1.5 Procuring Activity Quality Assurance Representative

The procuring activity, may, at its discretion, place quality assurance representatives in the manufacturer's plant as deemed necessary to assure conformance to contract requirements in any non-proprietary phase of design, fabrication, processing, inspection, and testing of the integrated circuits being produced. The manufacturer shall provide reasonable facilities and assistance for the safety and convenience of such personnel in the performance of their duties. Inspection and test procedures shall be made available for review by the quality assurance representative.

## 4.2 Qualification and Quality Conformance Inspection

### 4.2.1 Qualification

When specifically called out and funded on the purchase order or contract, the manufacturer's specific device qualification shall be based on compliance with the quality conformance test per Table III for MOS LSI devices. Qualification for other technologies shall be per Table I except that the testing will be to one LTPD level tighter than as defined in Table B-I of MIL-M-38510. For 38510 Class A (Level IV), qualification shall be per MIL-STD-883, Method 5005, Table IIa.

### 4.2.1.2 Procedures and Definitions

#### 4.2.1.2.1 Sampling Procedure

Device selection for the qualification procedure of 4.2.1 shall be based on a random sampling technique and will be selected from a generic family.

## 38510/MACH IV PROCUREMENT SPECIFICATION

---

### 4.2.1.2.2 Generic Family

Electrically and structurally similar devices shall be said to comprise a generic family (e.g., TTL) if they meet the following criteria:

- a) Are designed with the same basic circuit-element configuration such as TTL, TTL Schottky, DTL, CMOS, MOS metal-gate, or MOS silicon-gate, and differ only in the number or complexity of specified circuits that they contain. Generic family for linear circuits is defined by circuit function (e.g., op amp, comparator, etc.).
- b) Are designed for the same supply, bias and signal voltage, and for input/output capability with each other under an established set of loading rules.
- c) Are enclosed in housings (packages) of the same basic construction (e.g., hermetically sealed flat packages, dual-in-line ceramic, dual-in-line plastic) and outline, differing only in the number of active housing terminals included and/or utilized.

### 4.2.2 Quality Conformance Inspection

Quality conformance inspections (Groups B, C, and D) are per Tables I and II. Table II shall apply to MOS LSI and Table I to other technologies.

- a) When specifically called out and funded on the purchase order or contract, the manufacturer shall perform the quality conformance inspections (Groups B, C, and D) on a lot-by-lot basis.
- b) The manufacturer shall, upon request, make available for review the following generic quality conformance inspection and data:

Group B — To be performed every six weeks on each package type (a different number of pins constitutes a different package) at each assembly location.

Group C — To be performed every three months on each generic family as defined in 4.2.1.2.2a and b.

Group D — To be performed every six months on each package type (a different number of pins constitutes a different package) at each assembly location.

#### 4.2.2.1 Lot Acceptance Sampling

Statistical sampling for quality conformance inspections shall be in accordance with MIL-M-38510 Table B-I.

Group B samples shall be selected from sublots that have successfully completed all of the 100% processing steps specified on the applicable process flow chart.

# 38510/MACH IV PROCUREMENT SPECIFICATION

---

## 4.2.2.2 Resubmission of Failed Lots

When any lot (paragraph 4.2.2.a) submitted for quality conformance inspection fails any subgroup requirement, it may be resubmitted a maximum of one time for that particular subgroup. This additional submission is permitted, provided an analysis is performed to determine the failure mechanism for each reject device in the subgroup, and that it is determined that the failures are due to one of the following:

- a) Testing error resulting in electrical damage to devices
- b) A defect that can effectively be removed by rescreening the lot
- c) Random defects that do not reflect poor basic device designs or poor workmanship.

## 4.2.2.3 Early Shipments

When quality conformance inspection is being performed for a specific contract or purchase order, the accepted Group A devices that are awaiting shipment pending successful completion of Groups B, C, and D shall be stored and controlled by Quality Assurance. Under no circumstances shall such parts be shipped prior to the successful completion of the Group B tests.

## 4.2.2.4 Groups B, C, and D Test Data

All lot-by-lot data generated by Groups B, C, and D testing when specifically called out and funded on the purchase order, shall accompany the initial shipment of devices. This data shall consist, at a minimum, of the following:

- a) Attributes data for Group B. Endpoints for the subgroups are visual per the applicable MIL-STD-883 test method.
- b) Attributes data for Groups C and D. Endpoints for each subgroup are electrical test parameters as defined in Tables I and II.

## 4.2.2.5 Procedure in Case of Test Equipment Failure or Operator Error

Where an integrated circuit is believed to have failed as a result of faulty test equipment or operator error, the failure shall be entered in the test record which shall be retained for review along with a complete explanation verifying why the failure is believed to be invalid. If it is determined that the failure is invalid, a replacement integrated circuit from the same inspection lot may be added to the sample. The replacement integrated circuit shall be subjected to all those tests to which the discarded integrated circuit was submitted prior to its failure, and any remaining specified test to which the discarded integrated circuit was not subjected prior to its failure.

## 4.3 Quality Assurance Processing, Methods and Procedures

This section establishes the test methods and conditions to be used for the 100% processing (screening) requirements specified by the applicable process flow chart.

### 4.3.1 Precap Visual Inspection

Each microcircuit shall be required to pass the appropriate precap visual inspection defined as follows. Precap Lot Acceptance shall be per paragraph 4.6.



## 38510/MACH IV PROCUREMENT SPECIFICATION

---

4.3.1.1 38510 Class C (Level I) and 38510 Class B (Level III) devices shall be visually inspected in accordance with MIL-STD-883, Method 2010, Condition B.

4.3.1.2 38510A Class A (Level IV) devices (designated for NASA type applications) shall be visually inspected in accordance with MIL-STD-883, Method 2010, Condition A. (See notes 6.1.1.1 and 6.1.1.2.) (See notes under 6.1.2 for MOS LSI devices.)

4.3.1.3 Complex MSI and LSI circuits as defined in MIL-STD-883, Method 5004, paragraph 3.3 may be precap inspected per MIL-STD-883, Method 5004, paragraph 3.3.1 for 38510 Class B (Level III) and paragraph 3.3.2 for 38510 Class C (Level I).

### 4.3.2 Stabilization Bake

The purpose of this test is to determine the effect on microelectronic devices of baking at elevated temperatures without electrical stress applied. Test shall be performed in accordance with MIL-STD-883, Method 1008, Condition C.

### 4.3.3 Thermal Shock

The purpose of this test is to determine the resistance of the device to sudden exposure to extreme changes in temperature. Test shall be performed in accordance with MIL-STD-883, Method 1011, Condition A.

### 4.3.4 Temperature Cycle

This test is conducted for the purpose of determining the resistance of a part to exposures to extremes of high and low temperatures, and to the effect of alternate exposures to these extremes, such as would be experienced when equipment or parts are transferred to and from heated shelters in arctic areas. Test shall be performed in accordance with MIL-STD-883, Method 1010, Condition C, for a minimum of 10 cycles. For MSI and LSI complex devices as defined in MIL-STD-883, Method 5004, paragraph 3.3, 50 cycles may be used in lieu of alternate pre-cap visual inspection criteria.

### 4.3.5 (Deleted)

### 4.3.6 Centrifuge (Constant Acceleration)

The centrifuge test is used to determine the effects on microelectronics devices of a centrifugal force. This test is designed to indicate structural and mechanical weaknesses not necessarily detected in shock and vibration tests. Test shall be performed in accordance with MIL-STD-883, Method 2002, Condition E for devices having 20 or less pins and Condition D for those having more than 20 pins.

# 38510/MACH IV PROCUREMENT SPECIFICATION

---

## 4.3.7 Fine Leak Test

Each integrated circuit for 38510 Class C (Level I), 38510 Class B (Level III), and 38510 Class A (Level IV) screens shall be subject to a fine leak test in accordance with paragraph 4.3.7.1 or 4.3.7.2. The method shall be optional providing it is consistent with and capable of detecting the specified leak rate of the applicable process flow chart.

### 4.3.7.1 Helium Leak Test

Helium leak test shall be performed in accordance with MIL-STD-883, Method 1014, Condition A.

### 4.3.7.2 Radiflo Leak Test

Radiflo leak test shall be performed in accordance with MIL-STD-883, Method 1014, Condition B. Krypton 85 bomb pressure and dwell time are a function of the radioactivity level and shall be selected so as to conform to the equations given in Condition B.

## 4.3.8 Gross-Leak Test

Each integrated circuit for 38510 Class C (Level I), 38510 Class B, (Level III) and 38510 Class A (Level IV) screens shall be subjected to the appropriate gross-leak test of paragraph 4.3.8.1 or 4.3.8.2, or an approved equivalent. The manufacturer may, at his option, perform gross-leak testing after the Set I Electrical Tests of paragraph 4.3.9.

4.3.8.1 When specifically called out and funded on the purchase order or contract, units will be bombed 2 hours minimum at 30 psig in FC-78, or equivalent. Units will then be immersed in FC-40 or equivalent at  $+125^{\circ}\text{C} \pm 5^{\circ}\text{C}$  for 30 seconds minimum and observed for for a definite stream of bubbles, more than two large bubbles, or an attached bubble that grows in size, per MIL-STD-883, Method 1014, Condition C2.

4.3.8.2 Units will be immersed in FC-40 or equivalent at  $+125^{\circ}\text{C} \pm 5^{\circ}\text{C}$  for 30 seconds minimum and observed for a definite stream of bubbles, or more than two large bubbles per MIL-STD-883, Method 1014, Condition C1.

## 4.3.9 Final Electrical Test (Set I)

Each integrated circuit shall be required to pass the electrical requirements of the data sheet. The manufacturer shall also perform such additional testing necessary to assure the parts will meet the temperature extreme limits. MOS LSI memory devices will be 100% tested both at  $25^{\circ}\text{C}$  and at high temperature. Linear circuits will be 100% dc tested at high and low temperatures and  $25^{\circ}\text{C}$ .

When specifically called out and funded on the purchase order or contract, the manufacturer shall perform subgroups 2, 3, and 4 of paragraph 4.4 in accordance with Method 5004 of MIL-STD-883.

## 38510/MACH IV PROCUREMENT SPECIFICATION

---

### 4.3.10 Burn-In

The burn-in screen is performed for the purpose of eliminating marginal devices and early-life failures. Device biasing shall be in accordance with MIL-STD-883 Method 1015, Conditions A, D, or E for Digital Circuits and Conditions B, C, or D for Linear Circuits. For 38510 Class B (Level III) devices, equivalent test conditions using the time/temperature acceleration factor of Condition F between the temperature range of 125°C to 150°C may be used. For 38510 Class B (Level III) MSI and LSI complex devices as defined in MIL-STD-883 paragraph 3.3.1, a 240 hour burn-in in lieu of alternate pre-cap visual inspection criteria per MIL-STD-883, Method 5004, paragraph 3.3.1 may be used.

### 4.3.11 Final Electrical Test (Set II)

Each 38510 Class A (Level IV) integrated circuit shall be required to pass the electrical requirements of the detail specifications. The following tests shall be performed as a minimum: dc parameters at maximum and minimum rated temperatures, and switching parameters at 25°C. In addition, each bipolar device shall have critical 25°C dc electrical parameters read and recorded by serial number and shall pass the following delta requirements:

<u>PARAMETER</u>	<u>DELTA LIMIT</u>
VOL	±10% of detail specification limit
VOH	±10% of detail specification limit
IIL	±10% of detail specification limit
I <sub>IH</sub>	±10% of detail specification limit

CMOS recorded parameters and delta limits will be defined by the manufacturer as required.

One copy of the pre-burn-in and post-burn-in recorded data with delta calculations shall be shipped with each lot. Data will not be available for the metal flat pack (T). See MIL-M-0038510, Class S. The manufacturer may, when deemed necessary, elect to perform additional electrical testing over and above the requirements stated herein.

### 4.3.12 Radiographic Inspection (X-Ray)

Test shall be performed in accordance with MIL-STD-883, Method 2012. X-ray may be performed at any point after serialization at the manufacturer's option (see note 6.3).

### 4.3.13 External Visual Inspection

4.3.13.1 The purpose of this examination is to verify that materials, construction, marking, and general workmanship are as specified. Examination shall be in accordance with MIL-STD-883, Method 2009.

## 38510/MACH IV PROCUREMENT SPECIFICATION

---

4.3.13.2 Visual inspection will be performed for catastrophic failures. Catastrophic failures are defined as missing leads, broken packages, and damaged lids.

### 4.3.14 Voltage Stress

Selected n-channel MOS LSI devices will be voltage stressed for 40 hours minimum at 25°C min per MIL-STD-883 Method 1015, Condition D.

## 4.4 Group A Conformance

Group A conformance shall consist of the electrical parameters in the manufacturer's data sheet. If an inspection lot is made up of a collection of sublots, each subplot shall conform to Group A, as specified.

SUBGROUP	LTPD (%)			
	LEVEL I 38510C	LEVEL II	LEVEL III 38510B	LEVEL IV 38510A
Subgroup 1 25°C, dc	5	7	5	5
Subgroup 2 High Temperature, dc	10	10	7	5
Subgroup 3 Low Temperature, dc	10	10	7	5
Subgroup 4 Dynamic and Switching Tests @ 25°C	10	10	7	5

NOTES: Functional tests included in dc tests.  
MOS LSI devices will be lot accepted at 25°C and high temperature.  
The LTPD's of subgroups 1 and 2 will apply.

## 4.5 Certification

The manufacturer shall include a certificate of compliance with each shipment of parts if requested on the purchase order. This certificate shall indicate that all specified tests and requirements of this specification have been made or met, and that the lot of devices (identified by lot and/or batch number) is acceptable. The certificate shall bear the name and signature of the manufacturer's Quality Control representative, the date of acceptance or signing, and any pertinent notes as applicable.

## 4.6 Precap Lot Acceptance

After each precap inspection the lot of devices shall be sampled by quality control and inspected for the specified visual criteria.

# 38510/MACH IV PROCUREMENT SPECIFICATION

**TABLE 1  
QUALITY CONFORMANCE TEST (GROUPS B, C, D)**

TEST	MIL-STD-883		CLASSES B, C LTPD
	METHOD	CONDITION	

**GROUP B <sup>1/</sup>**

<b>Subgroup 1</b> Physical dimensions	2016		2 devices (no failures)
<b>Subgroup 2</b> a. Resistance to solvents	2015	Failure criteria from design and construction requirements of applicable procurement document.  (1) Test condition D (2) Test condition D	3 devices (no failures) 1 device (no failures) 15
b. Internal visual and mechanical	2014		
c. Bond strength <sup>2/</sup> (1) Thermocompression (2) Ultrasonic or wedge	2011		
<b>Subgroup 3</b> Solderability <sup>3/</sup>	2003	Soldering temperature of 260 ± 10°C.	15

- Electrical reject devices from the same inspection lot may be used for all subgroups when end-point measurements are not required.
- Test samples for bond strength may, at the manufacturer's option unless otherwise specified, be randomly selected following internal visual (precap) inspection specified in method 5004, prior to sealing.
- All devices submitted for solderability test must have been through the temperature/time exposure specified for burn-in. The LTPD for solderability test applies to the number of leads inspected except in no case shall less than 3 devices be used to provide the number of leads required.

**GROUP C (Die Related Tests)**

<b>Subgroup 1</b> Operating life test End point electrical parameters	1005	Test condition to be specified (1000 hours) As specified in the applicable device specification	5
<b>Subgroup 2</b> Temperature cycling Constant acceleration Seal (a) Fine (b) Gross <sup>2/</sup> Visual examination End-point electrical parameters	1010 2001  1014   <sup>1/</sup>	Test condition C Test condition E min. (see 3) Y <sub>1</sub> axis followed by one other axis X or Z. As applicable   As specified in the applicable device specification	15

- Visual examination shall be in accordance with method 1010.
- When fluorocarbon gross-leak testing is utilized, test condition C<sub>2</sub> shall apply as minimum.

# 38510/MACH IV PROCUREMENT SPECIFICATION

**TABLE 1**  
**QUALITY CONFORMANCE TEST (GROUPS B, C, D)**  
 (continued)

TEST	MIL-STD-883		CLASSES B, C LTPD
	METHOD	CONDITION	

**GROUP D (Package Related Test)**

<u>Subgroup 1</u> Physical dimensions	2016		15
<u>Subgroup 2</u> Lead integrity Seal (a) Fine <u>2</u> / (b) Gross <u>3</u> / <u>2</u>	2004 1014	Test condition B2 (lead fatigue) As applicable	15
<u>Subgroup 3</u> Thermal shock Temperature cycling Moisture resistance Seal (a) Fine <u>2</u> / (b) Gross <u>3</u> / Visual examination End point electrical parameters	1011 1010 1004 1014   <u>5</u> /  	Test condition B as a minimum, 15 cycles minimum. Test condition C, 100 cycles minimum.  As applicable  As specified in the applicable device specification.	15
<u>Subgroup 4</u> Mechanical shock Vibration variable frequency Constant acceleration Seal (a) Fine <u>2</u> / (b) Gross <u>3</u> / Visual examination End point electrical parameters	2002 2007 2001 1014   <u>6</u> / 5005	Test condition B Test condition A Test condition E (see 3) As applicable  Subgroups 1, 2, 3, and 7.	15
<u>Subgroup 5</u> Salt atmosphere Visual examination	1009 <u>7</u> /  	Test condition A. Omit initial conditioning	15

1. Electrical reject devices from the same production lot may be used for samples.
2. Condition A or B per paragraph 3.7 herein.
3. When fluorocarbon gross leak testing is utilized; test condition C2 shall apply as minimum.
4. Devices used in subgroup 3, "Thermal and Moisture Resistance", may be used in subgroup 4, "Mechanical".
5. Visual examination shall be in accordance with method 1010 or 1011 at a magnification of 5X to 10X.
6. Visual examination shall be performed in accordance with method 2007 for evidence of defects or damage to case, leads, or seals resulting from testing (not fixturing). Such damages shall constitute a failure.
7. Visual examination shall be in accordance with paragraph 3.3.1 of method 1009.

# 38510/MACH IV PROCUREMENT SPECIFICATION

---

TABLE II  
QUALITY CONFORMANCE TEST  
MOS LSI CIRCUIT

TEST	MIL-STD-883 METHOD	CONDITIONS	LTPD
Subgroup 1			
Temperature Cycle	1010	Condition C	
Constant Acceleration	2001	Condition D <sup>1</sup> , Y <sub>1</sub> Plane	
Electrical End Points	5005	Subgroup 1	15
Subgroup 2			
Operating Life	1005	Condition D, 500 Hrs. Minimum	
Electrical End Points	5005	Subgroup 1	10

1. Condition D for packages with more than 20 pins. Condition E for packages with 20 pins or less.

# 38510/MACH IV PROCUREMENT SPECIFICATION

**TABLE III  
MANUFACTURER'S QUALIFICATION PROCEDURE  
MOS LSI CIRCUITS**

TEST	MIL-STD-883		CLASSES B, C LTPD
	METHOD	CONDITION	

**GROUP B**

<b>Subgroup 1</b> Physical dimensions	2016		2 devices (no failures)
<b>Subgroup 2</b> a. Resistance to solvents	2015	Failure criteria from design and construction requirements of applicable procurement document.  (1) Test condition D (2) Test condition D	3 devices (no failures) 1 device (no failures)
b. Internal visual and mechanical	2014		
c. Bond strength <sup>2/</sup> (1) Thermocompression (2) Ultrasonic or wedge	2011		15
<b>Subgroup 3</b> Solderability <sup>3/</sup>	2003	Soldering temperature of 260 ± 10°C.	15

1. Electrical reject devices from the same inspection lot may be used for all subgroups when end-point measurements are not required.
2. Test samples for bond strength may, at the manufacturer's option unless otherwise specified, be randomly selected following internal visual (precap) inspection specified in method 5004, prior to sealing.
3. All devices submitted for solderability test must have been through the temperature/time exposure specified for burn-in. The LTPD for solderability test applies to the number of leads inspected except in no case shall less than 3 devices be used to provide the number of leads required.

**GROUP C (Die Related Tests)**

<b>Subgroup 1</b> Operating life test End point electrical parameters Subgroups 1, 2, 3, and 7	1005 5005	T <sub>A</sub> = 85°C, 1000 hours minimum	5
<b>Subgroup 2</b> Temperature cycling Constant acceleration	1010 2001	Test condition C Test condition E for package with < 20 pins Test condition D for packages with ≥ 20 pins Y <sub>1</sub> axis followed by one other axis X or Z.	15
Seal (a) Fine (b) Gross <sup>2/</sup>	1014	As applicable	
Visual examination End-point electrical parameters	1/	As specified in the applicable device specification	

1. Visual examination shall be in accordance with method 1010.
2. When fluorocarbon gross-leak testing is utilized, test condition C<sub>2</sub> shall apply as minimum.



# 38510/MACH IV PROCUREMENT SPECIFICATION

**TABLE III  
MANUFACTURER'S QUALIFICATION PROCEDURE  
MOS LSI CIRCUITS  
(continued)**

TEST	MIL-STD-883		CLASSES B, C LTPD
	METHOD	CONDITION	
<b>GROUP D (Package Related Test)</b>			
<u>Subgroup 1</u> Physical dimensions	2016		15
<u>Subgroup 21/</u> Lead integrity Seal (a) Fine <del>2/</del> (b) Gross <del>3/</del>	2004 1014	Test condition B2 (lead fatigue) As applicable	15
<u>Subgroup 34/</u> Thermal shock Temperature cycling Moisture resistance Seal (a) Fine <del>2/</del> (b) Gross <del>3/</del> Visual examination End point electrical parameters	1011 1010 1004 1014    <u>2/ 5/</u>	Test condition B as a minimum, 15 cycles minimum Test condition C, 100 cycles minimum.  As applicable  As specified in the applicable device specifications.	15
<u>Subgroup 44/</u> Mechanical shock Vibration variable frequency Constant acceleration Seal (a) Fine <del>2/</del> (b) Gross <del>3/</del> Visual examination End point electrical parameters	2002 2007 2001 1014   <u>3/ 6/</u> 5005	Test condition B Test condition A Test condition E (see 3) As applicable  Subgroups 1, 2, 3, and 7.	15
<u>Subgroup 51/</u> Salt atmosphere Visual examination	1009 <u>5/ 1/</u>	Test condition A. Omit initial conditioning	15

1. Electrical reject devices from the same production lot may be used for samples.
2. Condition A or B per paragraph 3.7 herein.
3. When fluorocarbon gross leak testing is utilized; test condition C2 shall apply as minimum.
4. Devices used in subgroup 3, "Thermal and Moisture Resistance", may be used in subgroup 4, "Mechanical".
5. Visual examination shall be in accordance with method 1010 or 1011 at a magnification of 5X to 10X.
6. Visual examination shall be performed in accordance with method 2007 for evidence of defects or damage to cases, leads, or seals resulting from testing (not fixturing). Such damages shall constitute a failure.
7. Visual examination shall be in accordance with paragraph 3.3.1 of method 1009.

# 38510/MACH IV PROCUREMENT SPECIFICATION

---

## 5.0 PREPARATION FOR DELIVERY

### 5.1 Final Visual Shipping Inspection

Each lot of microcircuits and its associated documentation shall be sampled by Quality Control and visually inspected for the following:

- a) Scratched, nicked or bent leads
- b) Damaged header (packages)
- c) All test data specified in section 4.0
- d) Certificate of Compliance as specified in section 4.0
- e) All other pertinent documentation required and specified by this specification.

### 5.2 Packing Requirements

Parts shall be packed in containers of the type, size, and kind commonly used which will ensure acceptance by common carriers and safe delivery at the destination and in accordance with MIL-M-55565, Level C, bulk pack. The containers shall be clearly marked with manufacturer's name or symbol.

### 5.3 Preservation and Package Identification

The package shall be marked with the following:

The country of origin if other than U.S.A.

Procuring activity parts number

Purchase order number

Material nomenclature

Quantity

Lot number

Date code

This information shall appear on the label or shall be directly marked on each container. Method is optional.

## 6.0 NOTES

### 6.1 Precap Visual Method 2010

The following criteria may be in conflict with the circuit design topology and construction techniques of some microcircuit manufacturers. Where such a conflict does exist, the inspection criteria listed herein may be waived. (Reference paragraph 3.0 of MIL-STD-883, Method 2010).

## 38510/MACH IV PROCUREMENT SPECIFICATION

---

- 6.1.1 Preseal Visual Inspection, Test Condition B [38510 Class B (Level III) and 38510 Class C (Level I)].
- 6.1.1.1 Paragraph 3.2: a 20-PSI minimum blow-off prior to seal will be performed to meet the intent of a controlled environment.
- 6.1.1.2 For titanium-tungsten, gold, titanium-tungsten multilayered systems, the underlying metal is defined as the bottom titanium tungsten and the top layer is defined as gold.
- 6.1.2 Preseal Visual Inspection for MOS LSI devices (38510 Class B, level III SMC). When the alternate screening option of paragraph 3.3 of Method 5004 is applied, the following additional items are applicable:
- 6.1.2.1 Internal visual, Method 2010, Condition B: In addition to the changes indicated by paragraph 3.3.1 of Method 5004, the following additional clarifications and deletions are applicable as reflected in MIL-M-38510/235:
- a) Metallization inspection shall be applicable to the top layer metal conductor (i.e., Al) and need not include "underlying conductors" such as poly-silicon.
  - b) Omit paragraphs 3.2.1.1 (b) through 3.2.1.1 (e), 3.2.1.2 (b) through 3.2.1.2 (e) and 3.2.3 (e) (Items 3.2.1.1 (f) and 3.2.3 (g) do not apply).
- 6.2 Interconnections
- Circuit interconnections (metallization pattern) shall be designed so that no properly fabricated connection shall experience a current density greater than  $5 \times 10^5$  amperes/cm<sup>2</sup>, including allowances for worst-case conductor composition, normal production tolerances on design dimensions, and nominal thickness at critical areas such as contact windows.
- 6.3 X-Ray Method 2012
- Paragraph 3.9.2.2a(2) and (3) delete and replace with: "Cause for rejection shall be a single void in the bar attachment material opening two adjacent sides and exceeding 50% of the length of one side and 100% of the length of the other side."
- 6.4 Salt Atmosphere Test, Method 1009
- Where package design considerations necessitate (such as 0.75-inch tip-to-tip metal flat packs), there may be a conformal coating applied prior to the salt atmosphere test.
- 6.5 Rebonding
- Attempts to bond where only impressions have been made in the metal and where the bond did not make a physical attachment to the pad or post shall not be considered evidence of rebonding.

# **IC Sockets and Interconnection Panels**

## IC SOCKETS AND INTERCONNECTION PANELS

Texas Instruments lines of off-the-shelf interconnection products are designed specifically to meet the performance needs of volume commercial applications. They provide both the economy of a standard product line and performance features developed after many year's experience with custom designs. Foremost among these is our ability to selectively bond a wrought gold stripe at the contact point. No waste. Reduced cost. Reliable contacts.

### Wrought Gold Contact

Plate a contact with gold and you get a better contact. More reliable, longer lasting. Increase the gold, you improve the contact. But gold is precious, so improved performance has to be costly — right? Wrong. Because now you can get the gold only where it is needed — at the point of contact.

How? With selective metallurgical bonding; a gold stripe inlay. Not porous plating, but durable wrought gold bonded to the contact by the same technology used to produce clad coins and thermostat metals.

Texas Instruments, Attleboro, Massachusetts, is the world's largest producer of these multimetal systems. We also know our way around electronics. The result? A full line of reliable, low cost, interconnection systems featuring an extra measure of gold where it's needed. Premium performance at no premium in price.

### IC Sockets

Texas Instruments family of IC sockets includes every type and size in common use today, and as wide a choice of contact materials as you'll find anywhere. Choose from open or closed entry *wire-wrapped*<sup>†</sup> sockets, standard or low profile solder tail sockets, cable plugs, and component platforms. Sizes from 8 to 40 pins.

### IC Panels

To match the industry's broadest line of IC sockets TI offers one of the industry's widest selections of off-the-shelf socket panel products. Logic panels. Logic cards. Accessories. Add TI's custom design capability and wire wrapping for full service.

Additional information including pricing and delivery quotations may be obtained from your nearest TI Distributor, TI Representative, or:

Texas Instruments Incorporated  
Connector Systems Department  
MS 2-16  
Attleboro, Massachusetts 02703  
Telephone: (617) 222-2800  
TELEX: ABORA927708

<sup>†</sup>Registered trademark of Gardner-Denver

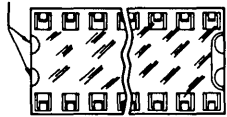
# LOW PROFILE SOCKETS

## SOLDER TAIL

C-93 SERIES GOLD-CLAD CONTACTS  
C-83 SERIES TIN-PLATED CONTACTS

- Universal mounting and packaging
- Anti-wicking wafer
- Stand-off tabs on base for solder flush
- Redundant contact points for low contact resistance, high reliability and repetitive insertion
- Closed entry construction

**SOLDER STANDOFF**



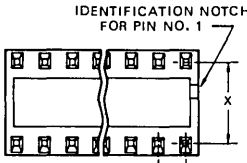
**MATERIAL:**

- Body-glass filled nylon (GFN)
- Contact-copper nickel alloy
- Finish-see part number schedule

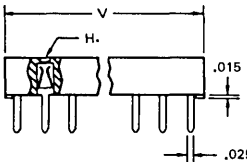
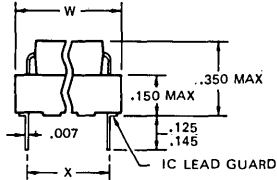
**NOTES:**

- Sockets meet requirements of Texas Instruments test specification TS-0005 and test report TR-0003
- Operating temperature  $-65^{\circ}\text{C}$  to  $\pm 150^{\circ}\text{C}$
- Contacts have redundant spring elements
- Accommodates standard IC leads up to .024" square, rectangular, or .024" diameter
- Contact is designed and oriented in the plastic body to generate maximum possible contact pressure
- Socket is designed to achieve maximum density on boards
- Sockets may be mounted end to end on .100" centers continuous line or on .400" centers row to row
- Socket is designed to prevent IC leads from contacting P.C. board
- Closed entry feature provided to facilitate automatic IC insertion and protects the IC leads against damage

**IDENTIFICATION NOTCH FOR PIN NO. 1**

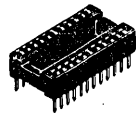


**TOLERANCE NON-CUMULATIVE** .100 TYP.

	8 Pin	14 Pin	16 Pin	18 Pin	20 Pin	22 Pin	24 Pin	28 Pin	40 Pin
Dimension X $\pm .005$	.300	.300	.300	.300	.300	.400	.600	.600	.600
Dimension V $\pm .010$	.400	.700	.800	.900	1.000	1.100	1.200	1.400	2.000
Dimension W (max)	.400	.400	.400	.400	.400	.500	.700	.700	.700

PART NO. SCHEDULE



BLACK BODY

NOMEX ANTI-WICKING WAFER		
Pins	C-93 SERIES	C-83 SERIES
8	C930810	C830810
14	C931410	C831410
16	C931610	C831610
18	C931810	C831810
20	C932010	C832010
22	C932210	C832210
24	C932410	C832410
28	C932810	C832810
40	C934010	C934010

CONTACT FINISH

C-93 SERIES:

100 microinch minimum gold stripe inlay

C-83 SERIES:

200 microinch minimum bright tin plate

# STANDARD PROFILE SOCKET

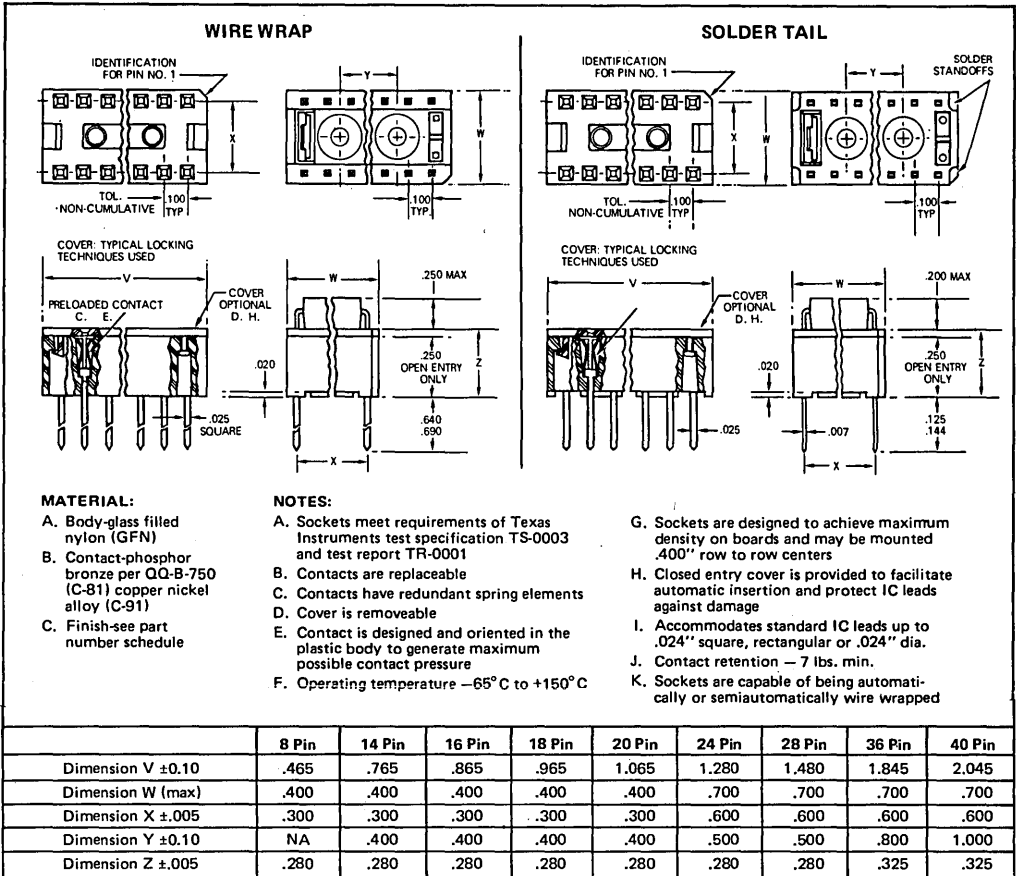
## SOLDER TAIL

C-82 SERIES PLATED CONTACTS • C-92 SERIES GOLD CLAD CONTACTS



## WIRE WRAP

C-81 SERIES PLATED CONTACTS • C-91 SERIES GOLD CLAD CONTACTS



- Designed for low cost, reliable, high density production packaging
- Universal mounting and packaging capabilities
- 8 to 40 pin lead configurations
- Contacts accommodate .015" through .024" rectangular or round dual-in-line leads
- Wire wrap posts held to true position of .015" providing a true position of .020" on boards for efficient automatic wire wrapping



WIRE WRAP

		OPEN ENTRY	CLOSED ENTRY
PART NUMBER SCHEDULE			
Contact Finish	Pins	Black Body	Black Cover
Series C-81 200-400 microinch min tin per MIL-T-10727	8	C810854	C810804
	14	C811454	C811404
	16	C811654	C811604
	18	C811854	C811804
	20	C812054	C812004
	24	C812454	C812404
	28	C812854	C812804
	36		C813604
	40		C814004
Series C-91 50 microinch min gold stripe inlay	8	C910850	C910800
	14	C911450	C911400
	16	C911650	C911600
	18	C911450	C911400
	20	C912050	C911800
	24	C912450	C912000
	28	C912850	C912800
	36		C913600
	40		C914000

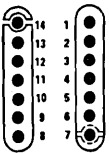


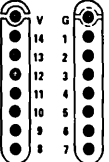

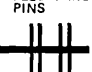
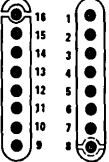


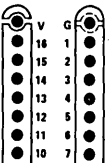


SOLDER TAIL

		OPEN ENTRY	CLOSED ENTRY
PART NUMBER SCHEDULE			
Contact Finish	Pins	Black Body	Black Cover
Series C-82 30 microinch min gold per MIL-G-45204 over 50 microinch min nickel per QQ-N-290	8	C820850	C820800
	14	C821450	C821400
	16	C821650	C821600
	18	C821850	C821800
	24	C822450	C822400
	28	C822850	C822800
	36		C823600
	40		C824000
Series C-82 50 microinch min gold per MIL-G-45204 over 100 microinch min nickel per QQ-N-290	8	C820852	C820802
	14	C821452	C821402
	16	C821652	C821602
	18	C821852	C821802
	24	C822452	C822402
	28	C822852	C822802
	36		C823602
	40		C824002
Series C-82 200-400 microinch min tin per MIL-T-10727	8	C820854	C820804
	14	C821454	C821404
	16	C821654	C821604
	18	C821854	C821604
	24	C822454	C822404
	28	C822854	C822804
	36		C823604
	40		C824004
Series C-92 100-microinch min gold stripe inlay	8	C920850	C920800
	14	C921450	C921400
	16	C921650	C921600
	18	C921850	C921800
	24	C922450	C922400
	28	C922850	C922800
	36		C923600
	40		C924000





STANDARD PANEL PART NO. SCHEDULE —D4 Series

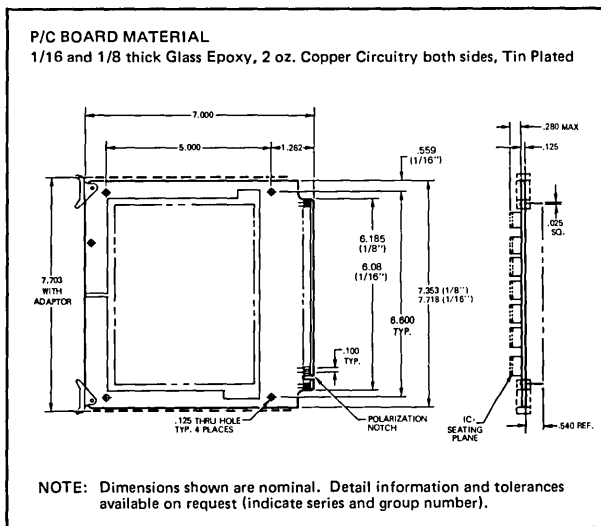
Group No.	I/O Option	Sockets Per Panel	C-81 Sockets	C-91 Sockets
<b>Group I 14 Pin</b> PIN 14 ..... VCC PIN 7 ..... GRD 	SOCKETS 	30 60 90 120 150 180	D411211 D411212 D411213 D411214 D411215 D411216	D411231 D411232 D411233 D411234 D411235 D411236
	FEED-THRU PINS 	30 60 90 120 150 180	D411411 D411412 D411413 D411414 D411415 D411416	D411431 D411432 D411433 D411434 D411435 D411436
<b>Group II 14 Pin</b> PIN V ..... VCC PIN G ..... GRD 	SOCKETS 	30 60 90 120 150 180	D434211 D434212 D434213 D434214 D434215 D434216	D434231 D434232 D434233 D434234 D434235 D434236
	FEED-THRU PINS 	30 60 90 120 150 180	D434411 D434412 D434413 D434414 D434415 D434416	D434431 D434432 D434433 D434434 D434435 D434436
<b>Group III 16 Pin</b> PIN 16 .... VCC PIN 8 ..... GRD 	SOCKETS 	30 60 90 120 150 180	D423211 D423212 D423213 D423214 D423215 D423216	D423231 D423232 D423233 D423234 D423235 D423236
	FEED-THRU PINS 	30 60 90 120 150 180	D423411 D423412 D423413 D423414 D423415 D423416	D423431 D423432 D423433 D423434 D423435 D423436
<b>Group IV 16 Pin</b> PIN V ..... VCC PIN G ..... GRD 	SOCKETS 	30 60 90 120 150 180	D444211 D444212 D444213 D444214 D444215 D444216	D444231 D444232 D444233 D444234 D444235 D444236
	FEED-THRU PINS 	30 60 90 120 150 180	D444411 D444412 D444413 D444414 D444415 D444416	D444431 D444432 D444433 D444434 D444435 D444436

# SOCKET CARDS

## STANDARD

### DO2 SERIES

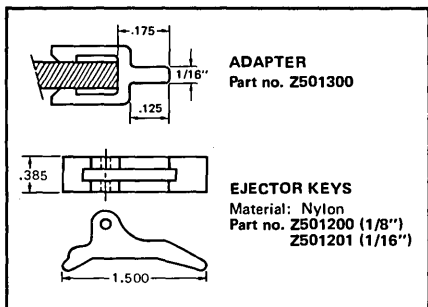
- Low Cost
- 14 - 16 pin socket pattern — 60 position
- Standard ground and power pin commitment
- 8 standard designs
- Mates with dual 60 position edge connector



### DO2 Series STANDARD CARD PART NO. SCHEDULE

Group No.	Board Thk.	C-81 Sockets	C-91 Sockets
Group I 14 Pin PIN 14 .... VCC PIN 7 ..... GRD	1/16"	D022110	D022130
	1/8"	D021110	D021130
Group II 14 Pin PIN V ..... VCC PIN G ..... GRD	1/16"	D022310	D022330
	1/8"	D021310	D021330
Group III 16 Pin PIN 16 .... VCC PIN 8 ..... GRD	1/16"	D022210	D022230
	1/8"	D021210	D021230
Group IV 16 Pin PIN V ..... VCC PIN G ..... GRD	1/16"	D022410	D022430
	1/8"	D021410	D021430

10



### DO Series MULTIPURPOSE CARD PART NO. SCHEDULE

I/O	
Board Thk.	Part No.
1/16"	Z012510
1/8"	Z011510