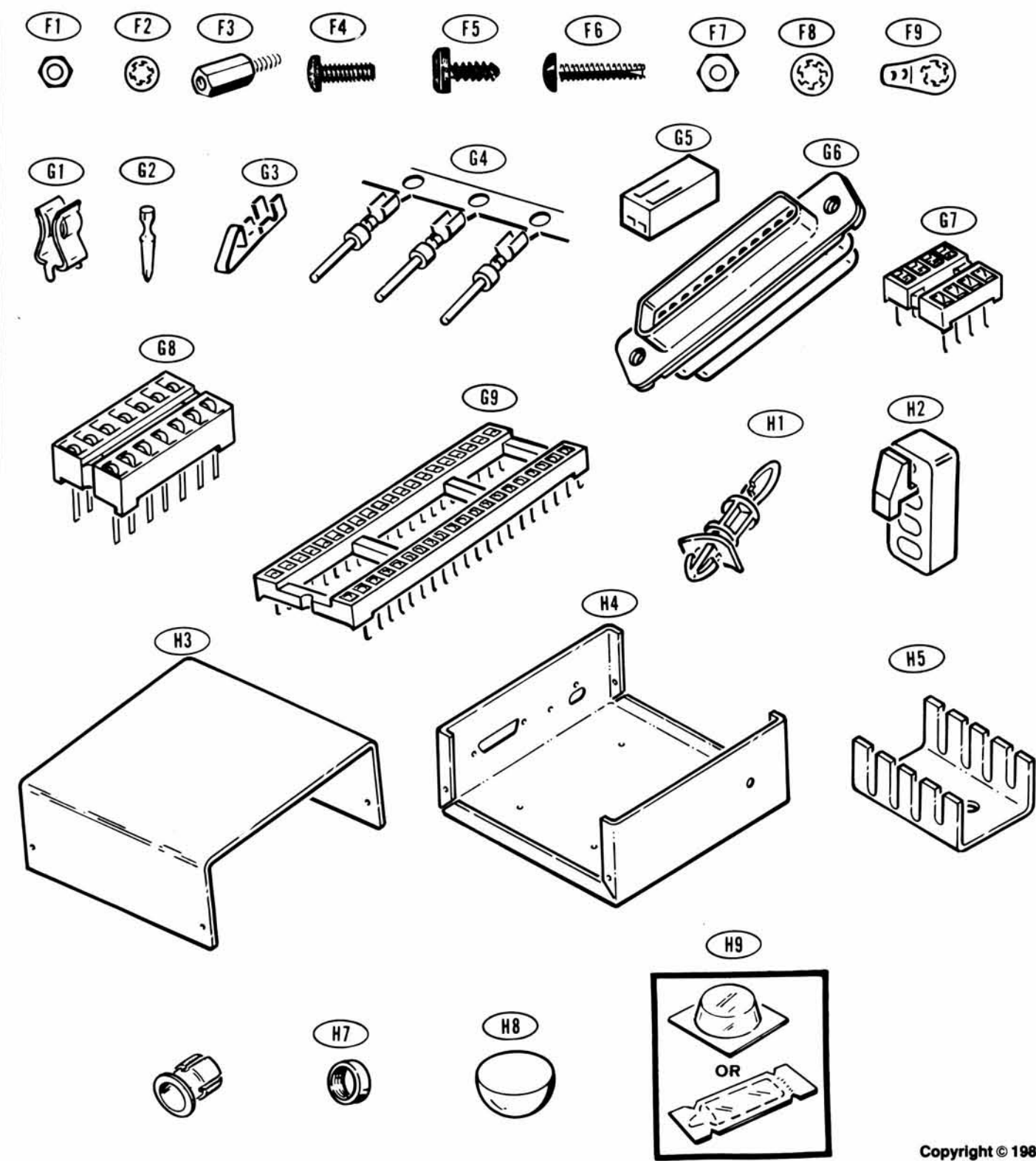
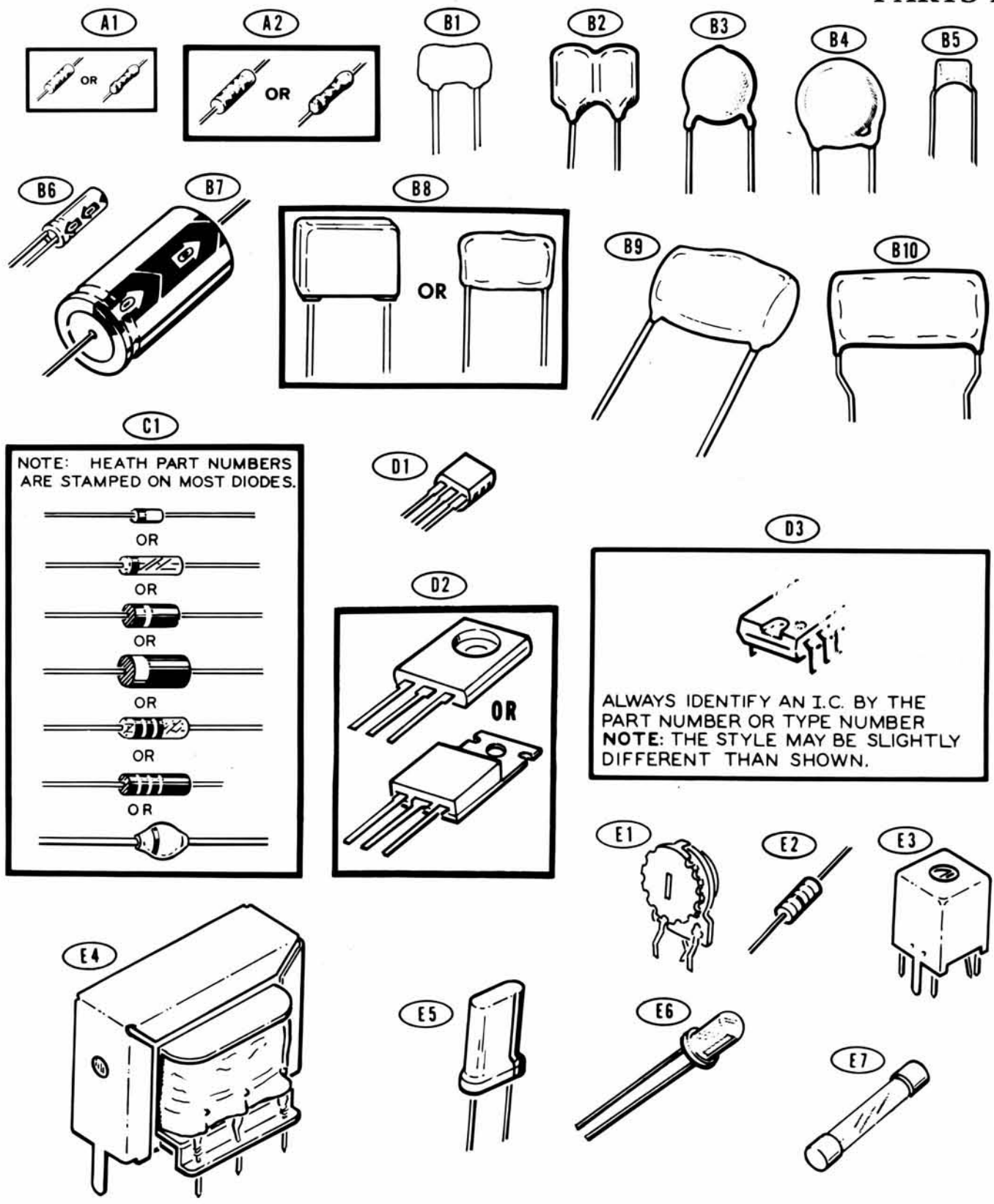
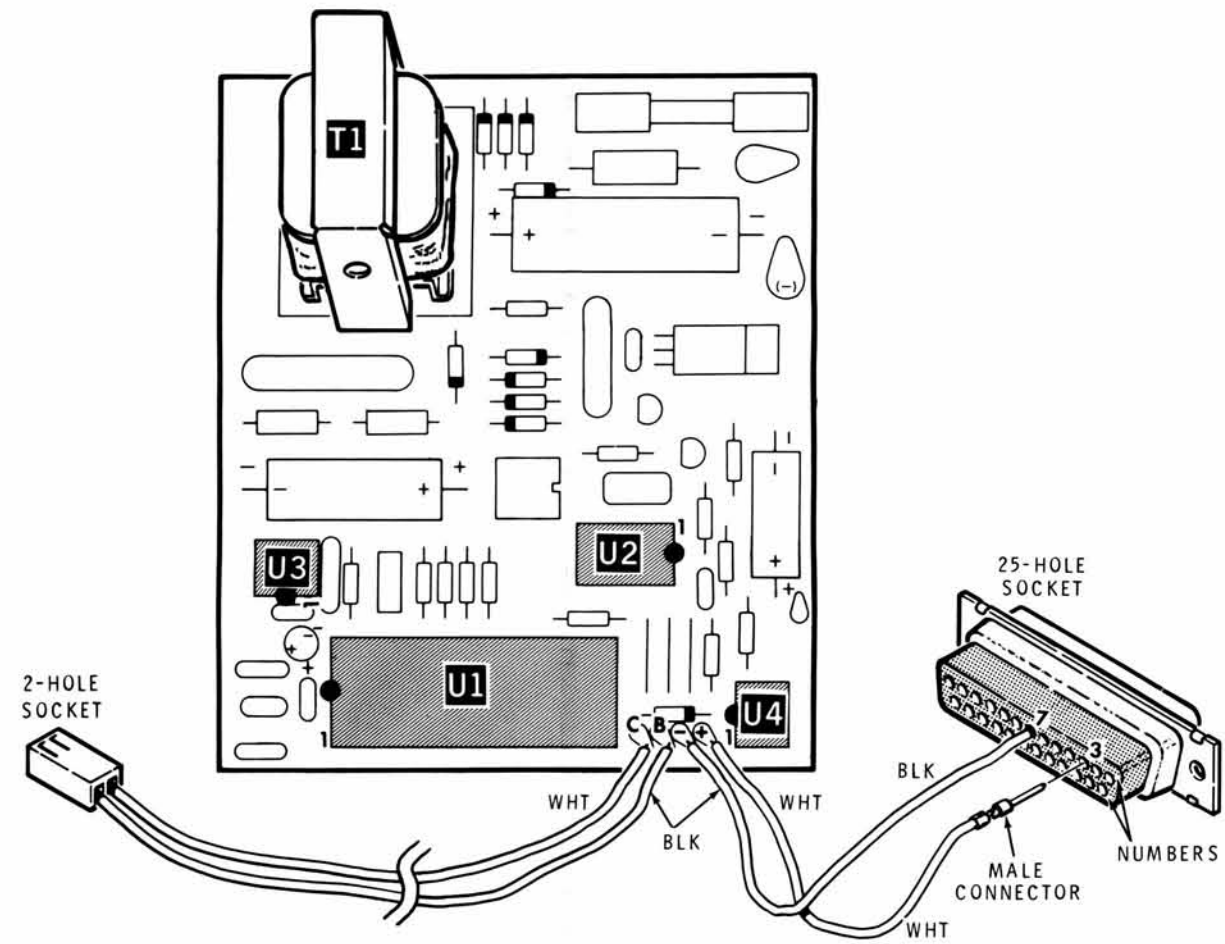


ILLUSTRATION BOOKLET

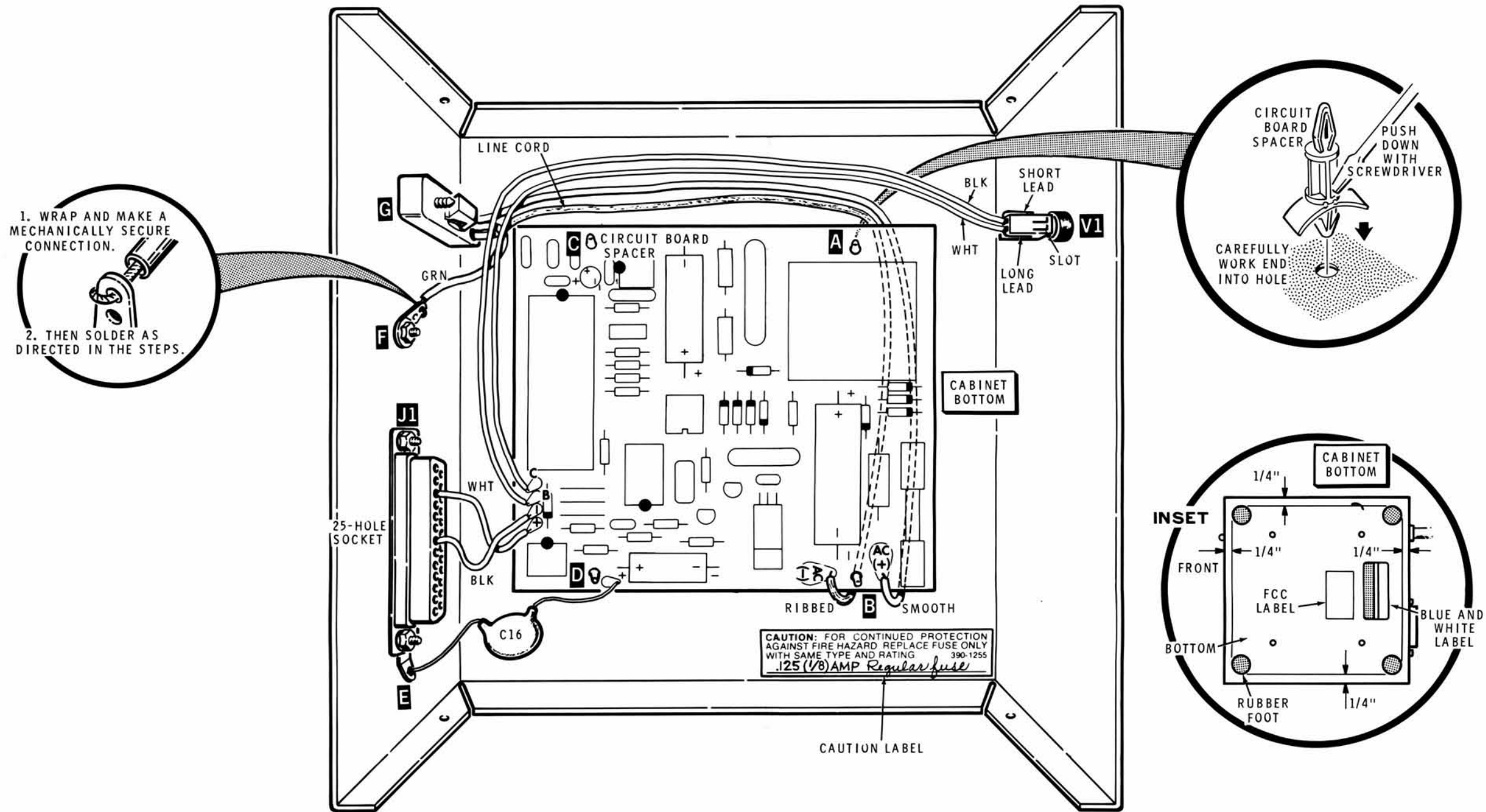
PARTS PICTORIAL



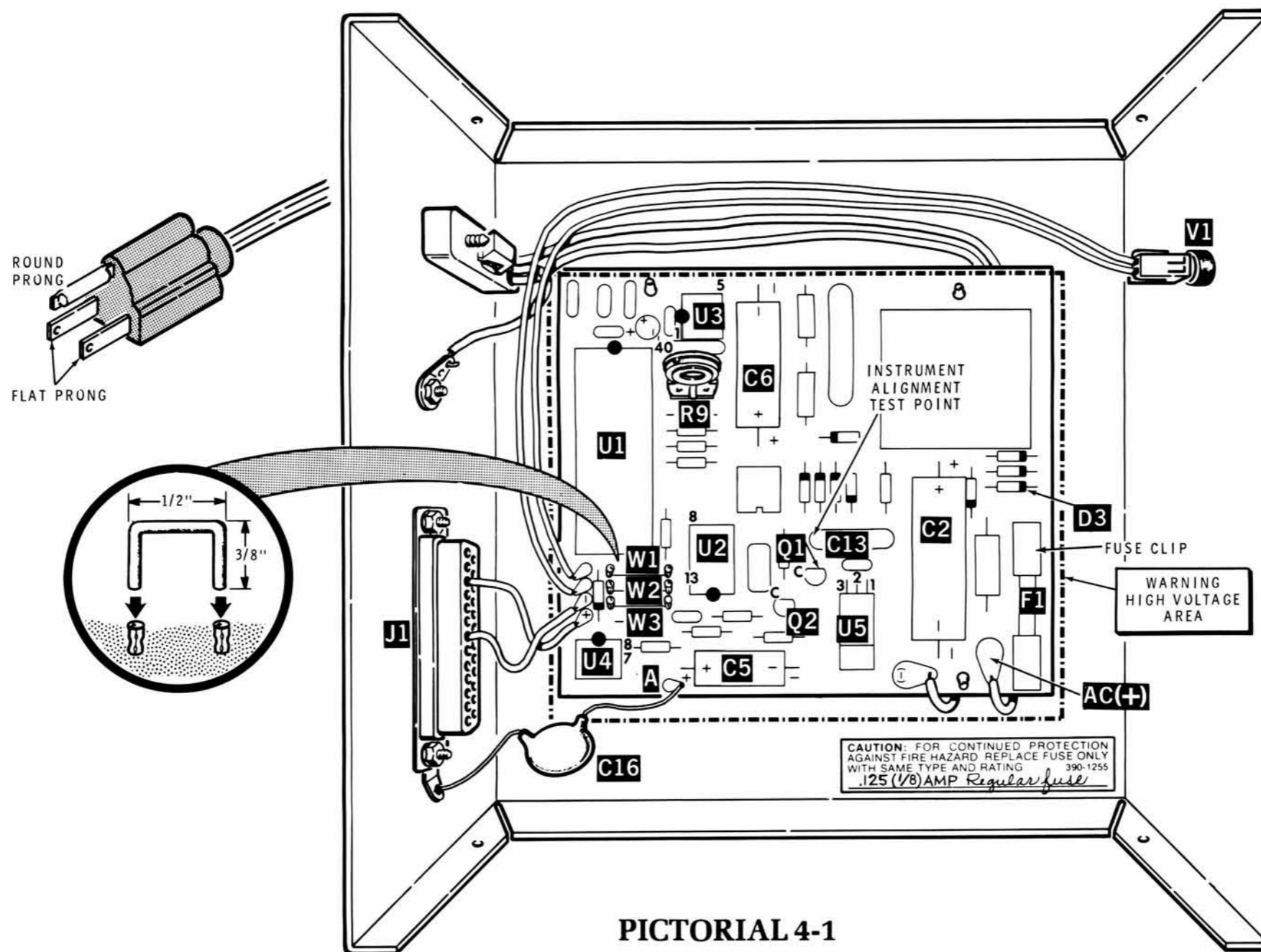
Model GD-1530



PICTORIAL 2-1




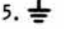

PICTORIAL 3-1



PICTORIAL 4-1

SCHEMATIC OF THE HEATHKIT® RS-232C to BSR X-10 INTERFACE MODEL GD-1530

NOTES:

1. REFER TO THE X-RAY VIEW FOR THE PHYSICAL LOCATION OF PARTS.
2. ALL RESISTORS ARE 1/4-WATT, 5% UNLESS MARKED OTHERWISE.
3. ALL CAPACITOR VALUES LARGER THAN 1.0 ARE IN μF UNLESS SPECIFIED OTHERWISE. CAPACITOR VALUES LESS THAN 1.0 ARE IN μF .
4.  INDICATES A WIRE CONNECTION TO THE CIRCUIT BOARD.
5.  INDICATES A CABINET GROUND.
6.  INDICATES A CIRCUIT BOARD GROUND.
7. SCHEMATIC: PARTS IN SHADED AREAS ARE CRITICAL FOR CONTINUED SAFETY. REPLACE ONLY WITH THE EXACT HEATH COMPANY PART NUMBER.

